



US00D829249S

(12) **United States Design Patent**
Wang et al.

(10) **Patent No.:** **US D829,249 S**
(45) **Date of Patent:** **** Sep. 25, 2018**

- (54) **ROBOTIC FINGER**
- (71) Applicant: **Intel Corporation**, Santa Clara, CA (US)
- (72) Inventors: **Tao Wang**, Beijing (CN); **Bo Kang**, Beijing (CN)
- (73) Assignee: **Intel Corporation**, Santa Clara, CA (US)
- (**) Term: **15 Years**
- (21) Appl. No.: **29/610,323**
- (22) Filed: **Jul. 11, 2017**
- (51) **LOC (11) Cl.** **15-99**
- (52) **U.S. Cl.**
USPC **D15/199**
- (58) **Field of Classification Search**
USPC D15/199; D21/578-583, 621, 622
CPC B25J 9/104; B25J 15/08; B25J 15/0009
See application file for complete search history.

(56) **References Cited**

U.S. PATENT DOCUMENTS

D254,382 S *	3/1980	Suzuki	D21/468
4,957,320 A *	9/1990	Ulrich	B25J 9/102 192/56.1
5,062,673 A *	11/1991	Mimura	B25J 15/0009 294/106
8,936,289 B1 *	1/2015	Kozlowski	B25J 15/0009 294/106
9,089,977 B2 *	7/2015	Claffee	B25J 9/0015
9,492,928 B2 *	11/2016	Moore	B25J 15/0009
9,744,677 B2 *	8/2017	Ohm	B25J 15/08
D812,122 S *	3/2018	Clerc	D15/199
2003/0090115 A1 *	5/2003	Kim	B25J 15/10 294/106
2007/0236162 A1 *	10/2007	Kawabuchi	B25J 9/102 318/568.16

2009/0114054 A1 *	5/2009	Horiuchi	B25J 9/102 74/490.05
2010/0176615 A1 *	7/2010	Okuda	A61F 2/583 294/106
2010/0259057 A1 *	10/2010	Madhani	B25J 9/1045 294/106
2010/0280659 A1 *	11/2010	Abdallah	H01R 13/17 700/250
2011/0068595 A1 *	3/2011	Ihrke	B25J 9/104 294/106
2011/0133502 A1 *	6/2011	Koyama	B25J 15/0009 294/106

(Continued)

Primary Examiner — Patricia Ann Palasik

(74) *Attorney, Agent, or Firm* — Schwegman Lundberg & Woessner, P.A.

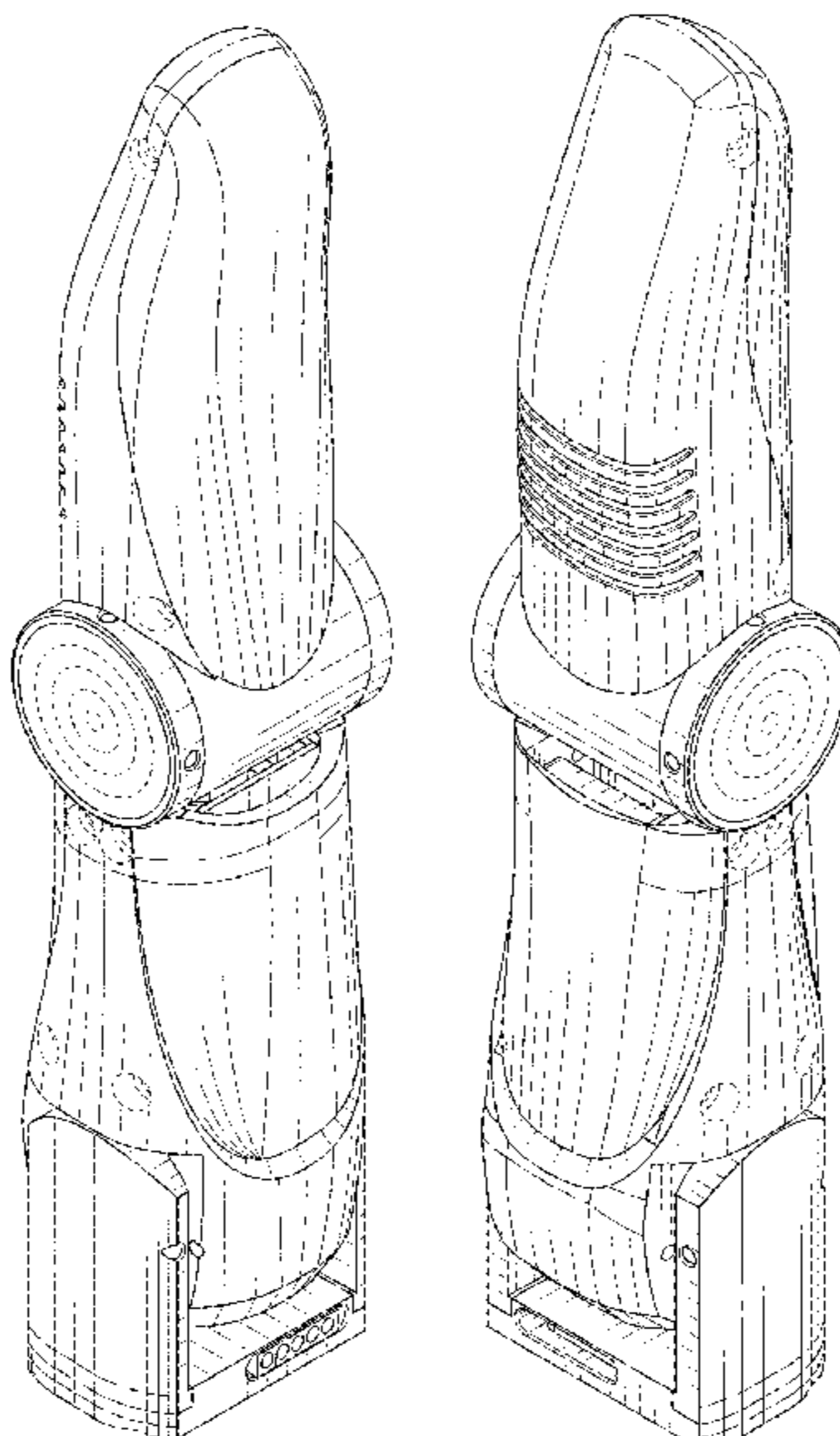
(57) **CLAIM**

The ornamental design for a robotic finger, as shown and described.

DESCRIPTION

FIG. 1 is a front view of a robotic finger showing our new design.
 FIG. 2 is a rear view thereof.
 FIG. 3 is a right side view thereof.
 FIG. 4 is a left side view thereof.
 FIG. 5 is a top view thereof.
 FIG. 6 is a bottom view thereof.
 FIG. 7 is a top-right-front perspective view thereof.
 FIG. 8 is a bottom-left-front perspective view thereof.
 FIG. 9 is a bottom-left-rear perspective view thereof; and,
 FIG. 10 is a top-right-rear perspective view thereof.
 The broken line showings of the screw holes, the cutout panel, and the concentric circles are for the purpose of illustrating environmental structure, and the broken lines form no part of the claimed design.
 The shade lines show surface contour and not surface ornamentation.

1 Claim, 7 Drawing Sheets



(56)

References Cited

U.S. PATENT DOCUMENTS

2011/0241369 A1* 10/2011 Kamon B25J 9/102
294/213
2012/0175904 A1* 7/2012 Murakami B25J 15/10
294/213
2013/0183129 A1* 7/2013 Nammoto B25J 15/10
414/729
2014/0103673 A1* 4/2014 Nammoto B25J 13/082
294/106
2014/0232124 A1* 8/2014 Dan B25J 15/0009
294/198
2015/0217458 A1* 8/2015 Nammoto B25J 15/065
414/737
2016/0229058 A1* 8/2016 Pinter G06Q 50/22
2017/0355084 A1* 12/2017 Chang B25J 15/12
2018/0071115 A1* 3/2018 Lipsey A61F 2/582
2018/0117773 A1* 5/2018 Odhner B25J 15/0009

* cited by examiner

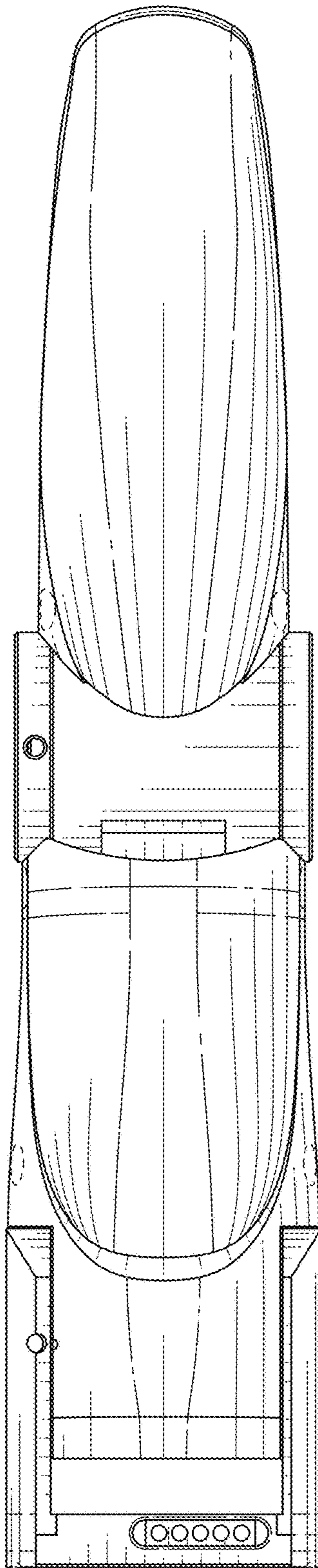


FIG. 1

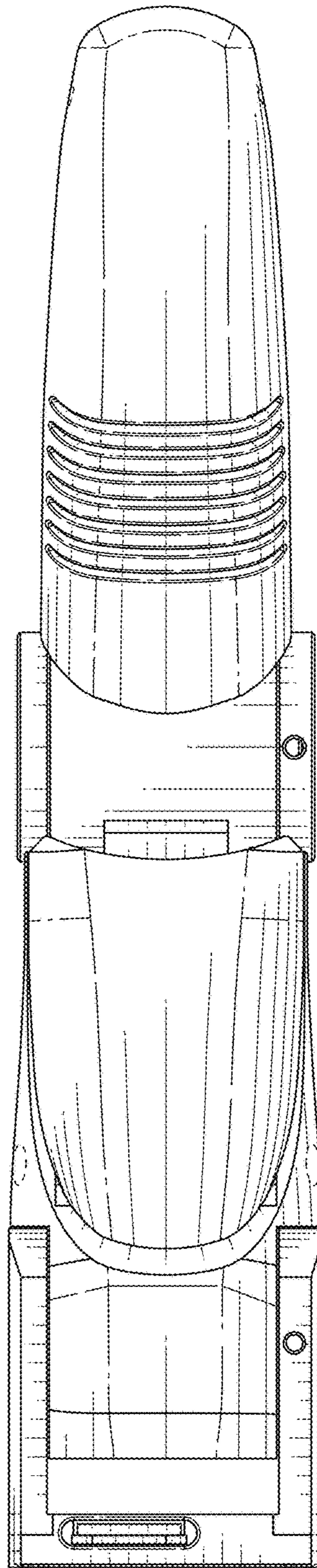


FIG. 2

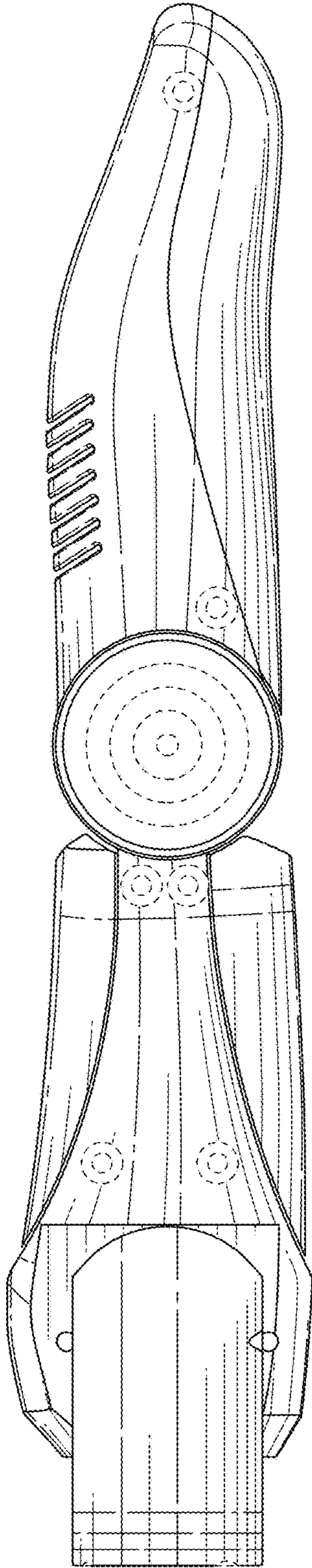


FIG. 3

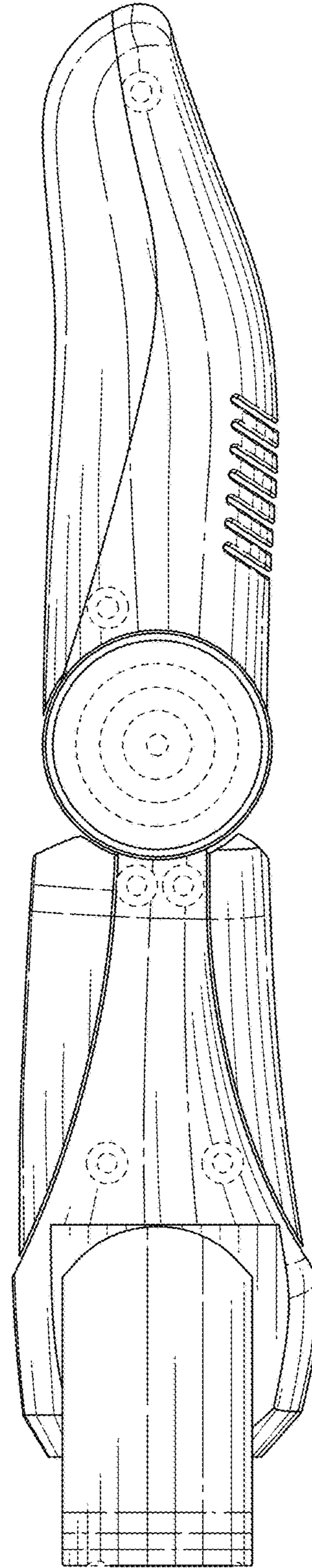


FIG. 4

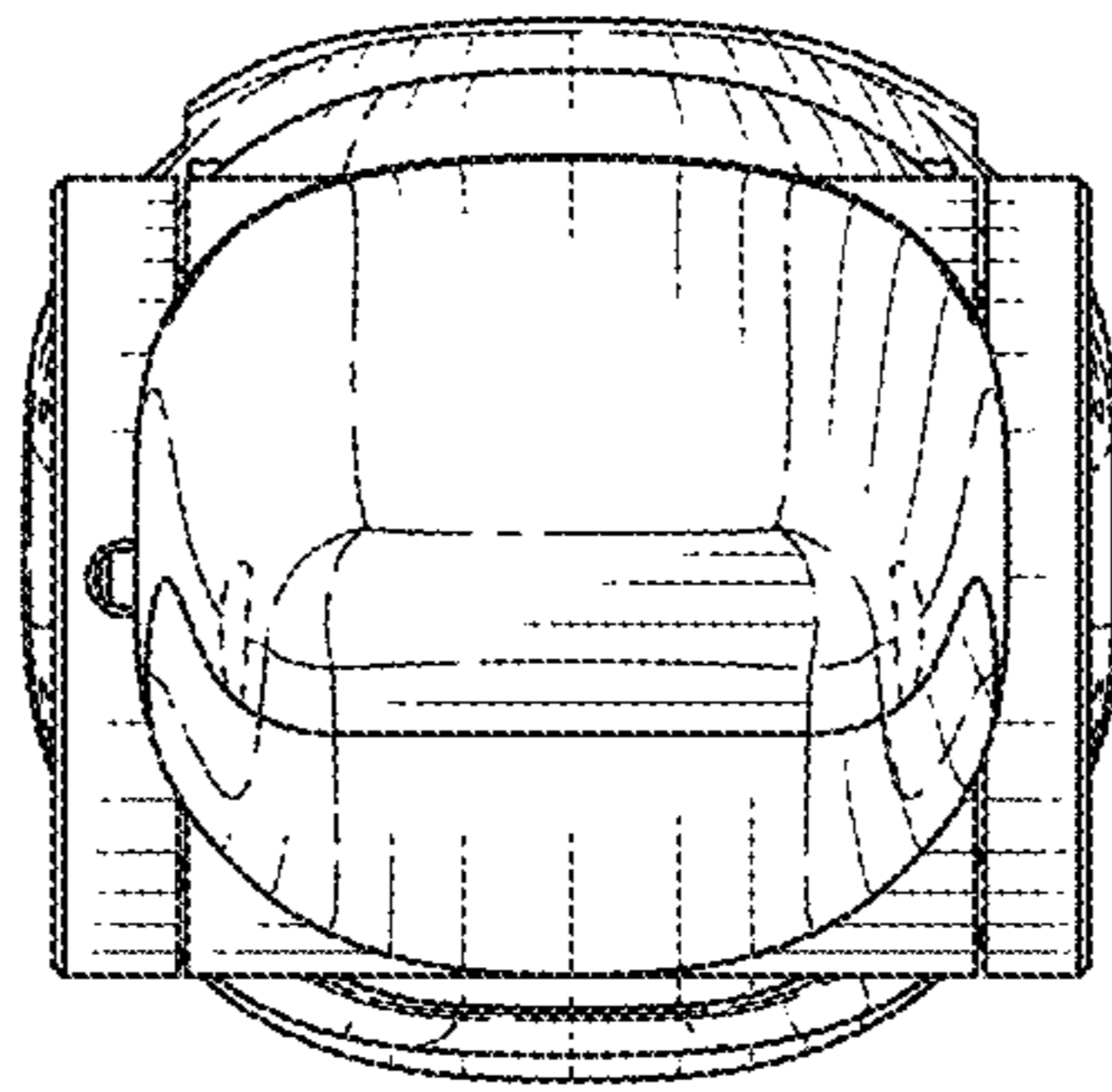


FIG. 5

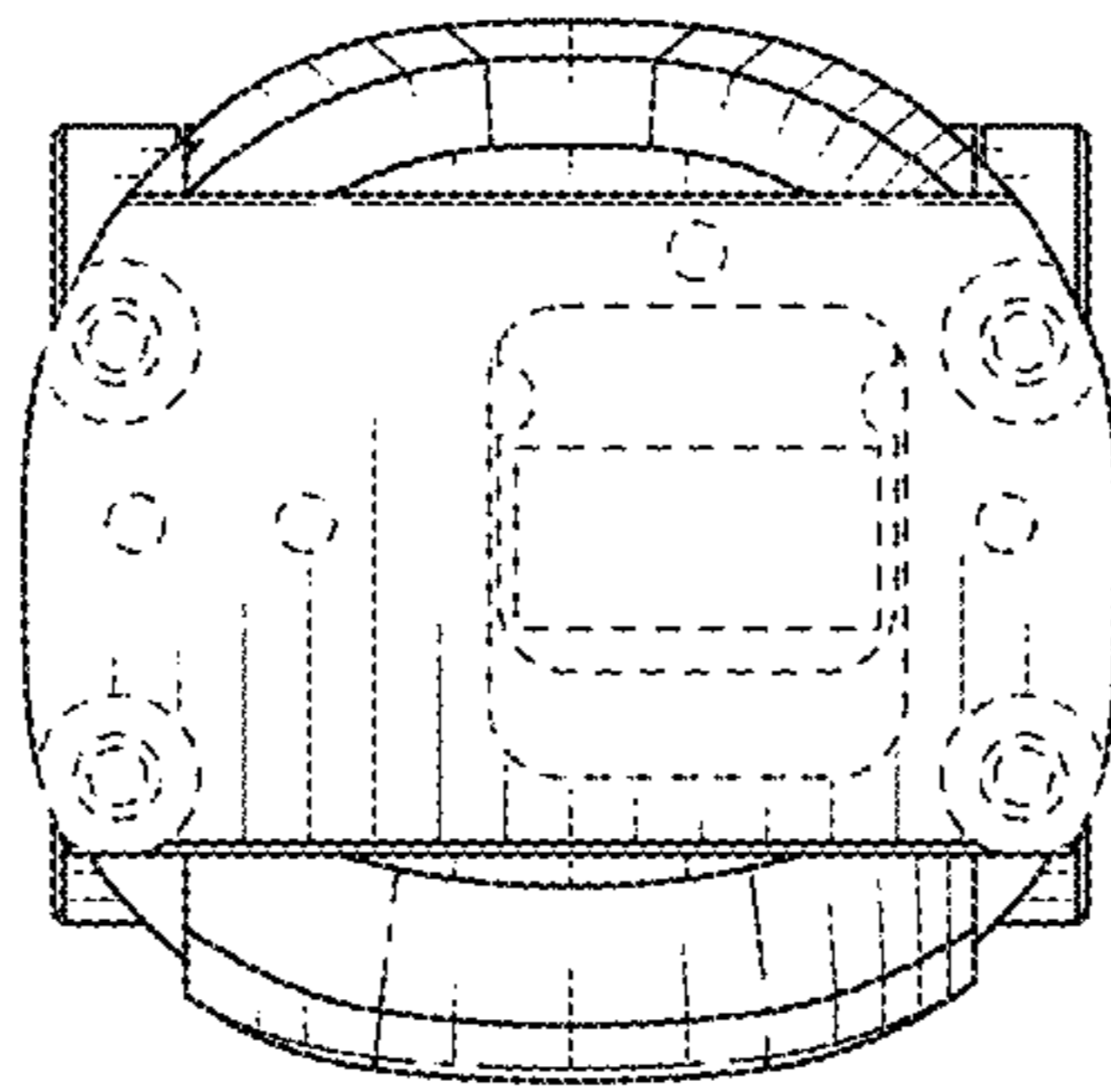


FIG. 6

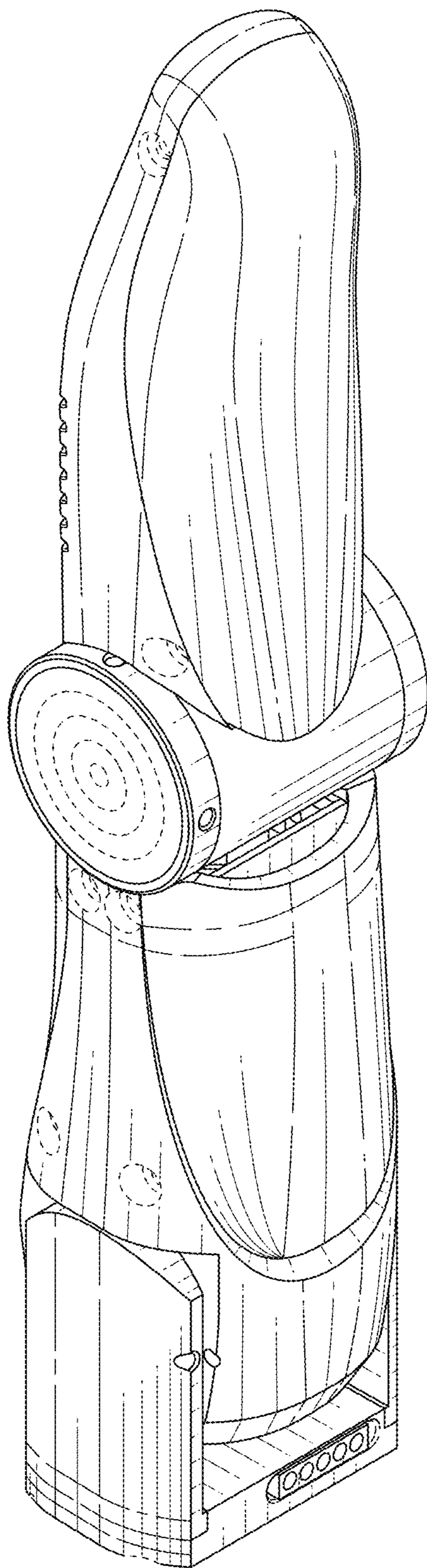


FIG. 7

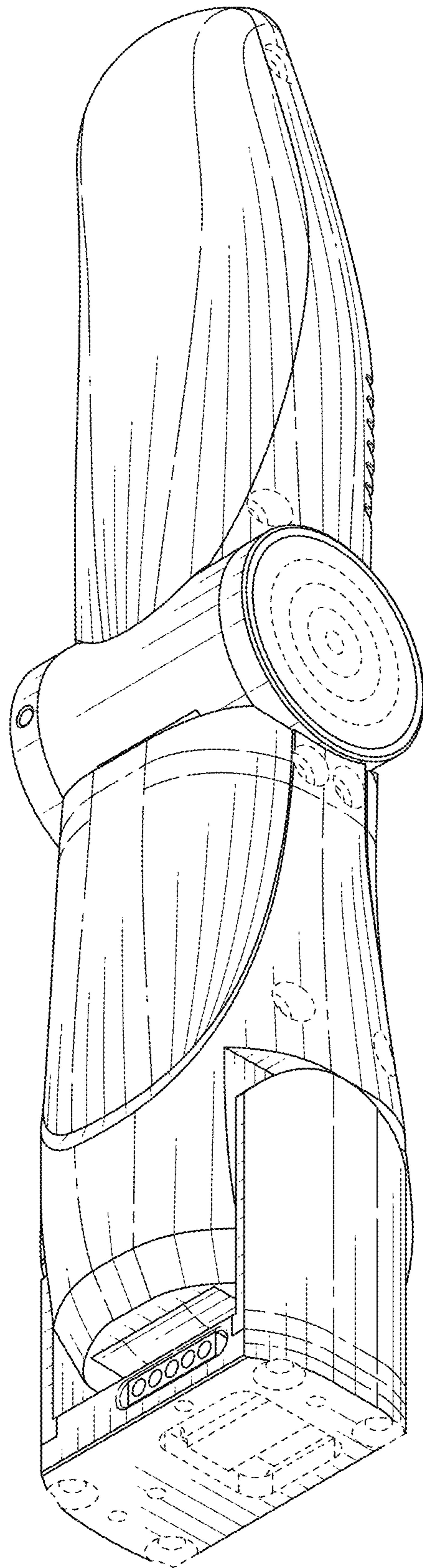


FIG. 8

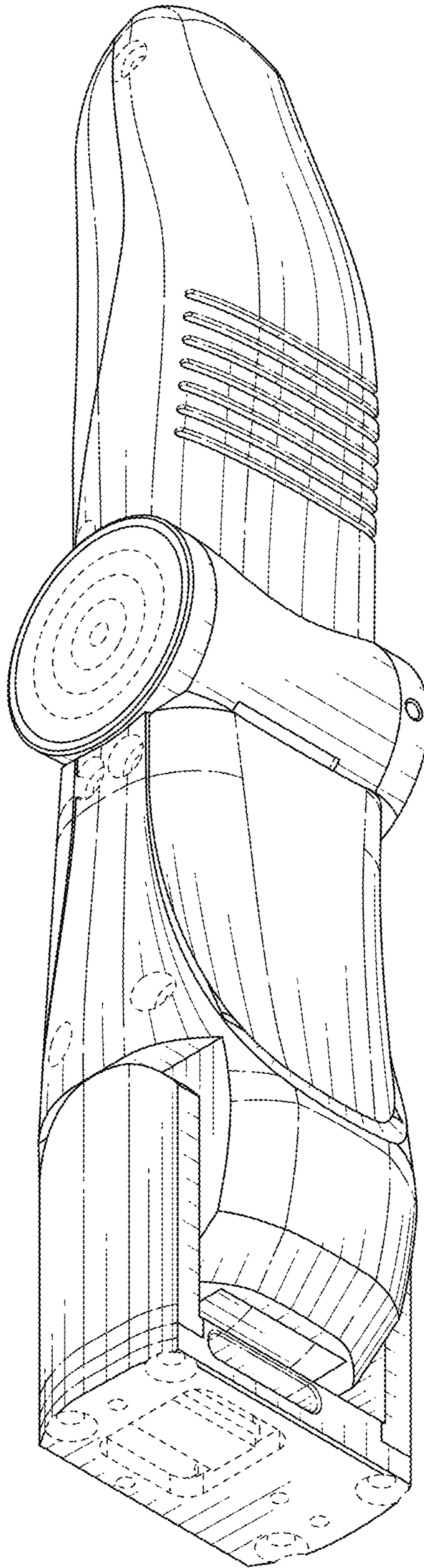


FIG. 9

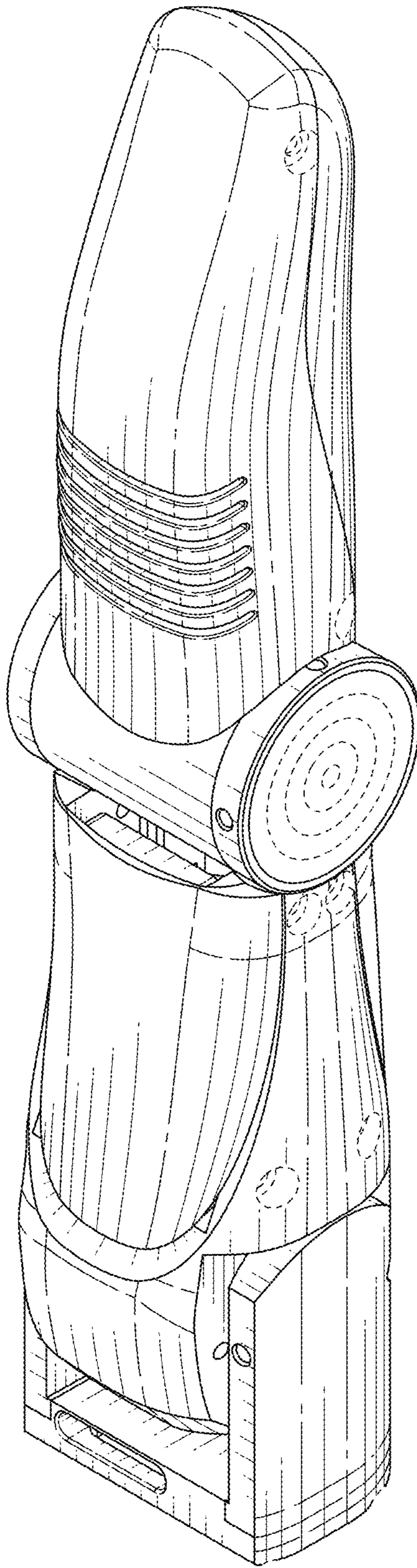


FIG. 10