



US00D829248S

(12) **United States Design Patent** (10) **Patent No.:** **US D829,248 S**  
**Wilson et al.** (45) **Date of Patent:** **\*\* Sep. 25, 2018**

(54) **REGENERATOR WALL BLOCK**  
(71) Applicants: **FOSBEL, INC.**, Brook Park, OH (US);  
**DSF REFRACTORIES AND MINERALS LIMITED**, Derbyshire (GB)  
(72) Inventors: **Trevor Robert Wilson**, Derbyshire (GB); **Alan Bowser**, Brook Park, OH (US); **Lou Carolla**, Brook Park, OH (US)  
(73) Assignees: **FOSBEL, INC.**, Brook Park, OH (US); **DSF REFRACTORIES AND MINERALS LIMITED**, Derbyshire (GB)

2,176,157 A \* 10/1939 Tanner ..... F28D 17/02 165/9.1  
2,309,789 A \* 2/1943 Reintjes ..... C21B 9/06 165/9.1  
2,793,022 A \* 5/1957 Harris ..... C10B 29/02 165/9.1  
3,739,541 A \* 6/1973 Andrews ..... E04C 1/392 52/220.2  
D251,204 S \* 2/1979 Ceglia ..... D25/113  
(Continued)

*Primary Examiner* — Patricia A Palasik  
(74) *Attorney, Agent, or Firm* — Nixon & Vanderhye P.C.

(\*\*) Term: **15 Years**  
(21) Appl. No.: **29/555,096**  
(22) Filed: **Feb. 18, 2016**  
(51) **LOC (11) Cl.** ..... **15-09**  
(52) **U.S. Cl.**  
USPC ..... **D15/144.1**  
(58) **Field of Classification Search**  
USPC ..... D15/138, 144, 144.1, 144.2;  
D21/484-491, 499-502; D25/102,  
D25/112-118, 136, 138  
CPC ..... C03B 5/2375  
See application file for complete search history.

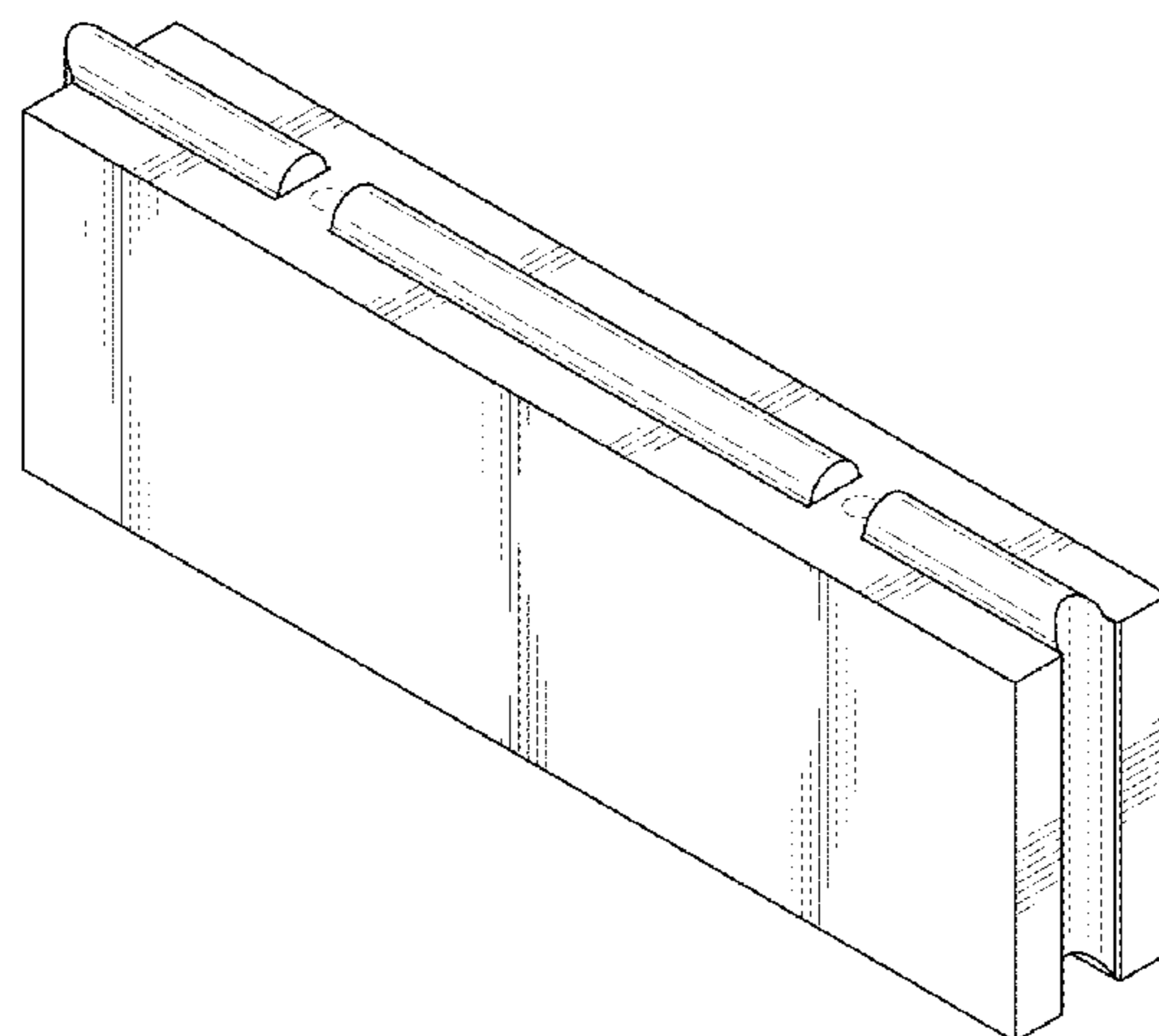
(57) **CLAIM**  
The ornamental design for a regenerator wall block, as shown and described.

**DESCRIPTION**

FIGS. 1-8 show a first embodiment of our new and original design for regenerator wall block, wherein FIG. 1 is a front perspective view thereof; FIG. 2 is a rear perspective view thereof; FIGS. 3 and 4 are left and right side elevational views thereof, respectively; FIGS. 5 and 6 are top and bottom plan views thereof, respectively; and FIGS. 7 and 8 are front and rear elevational views thereof, respectively, and wherein FIGS. 9-16 show a second embodiment of our new and original design for regenerator wall block, wherein FIG. 9 is a front perspective view thereof; FIG. 10 is a rear perspective view thereof; FIGS. 11 and 12 are left and right side elevational views thereof, respectively; FIGS. 13 and 14 are top and bottom plan views thereof, respectively; and FIGS. 15 and 16 are front and rear elevational views thereof, respectively. The broken lines in the FIGURES represent structures in the environment of the claimed design which do not form any part of the claimed design.

**1 Claim, 6 Drawing Sheets**

(56) **References Cited**  
U.S. PATENT DOCUMENTS  
951,012 A \* 3/1910 Lamond ..... F28D 17/02 165/9.1  
D58,660 S \* 8/1921 Clouser et al. .... D25/113  
1,856,473 A \* 5/1932 Drain, Jr. .... C21B 9/06 165/9.1  
1,902,348 A \* 3/1933 Wagstaff ..... C21B 9/06 165/9.1  
2,017,763 A \* 10/1935 Mamula ..... C21B 9/06 165/9.1



(56)

**References Cited**

## U.S. PATENT DOCUMENTS

D256,166 S \* 7/1980 Iannarelli ..... D25/116  
D266,361 S \* 9/1982 Coelho dos Santos ..... D25/114  
D266,875 S \* 11/1982 dos Santos ..... D25/114  
D275,995 S \* 10/1984 Rassias ..... D25/116  
D275,997 S \* 10/1984 Rassias ..... D25/114  
D275,998 S \* 10/1984 Rassias ..... D25/116  
D276,076 S \* 10/1984 Rassias ..... D25/116  
D276,077 S \* 10/1984 Rassias ..... D25/117  
D276,078 S \* 10/1984 Rassias ..... D25/117  
4,479,777 A \* 10/1984 Simon ..... F28D 17/02  
110/338  
4,940,081 A \* 7/1990 Hyde ..... F28D 17/02  
165/9.1  
D319,109 S \* 8/1991 Bimber ..... D25/118  
D349,046 S \* 7/1994 Brown ..... D21/500  
5,465,541 A \* 11/1995 Lin ..... E04B 1/0023  
52/220.2  
6,418,686 B1 \* 7/2002 Record ..... E04C 2/288  
52/284  
D467,668 S \* 12/2002 Slagnes ..... D25/113  
D481,135 S \* 10/2003 Dean ..... D25/113  
D511,579 S \* 11/2005 Risi ..... D25/113  
D516,734 S \* 3/2006 Keys ..... D25/113  
D517,221 S \* 3/2006 Keys ..... D25/113  
7,210,188 B1 \* 5/2007 Kirby ..... A47L 13/16  
15/244.1  
D598,572 S \* 8/2009 Stephansky ..... D25/113  
D701,547 S \* 3/2014 Bei ..... D15/144  
D701,548 S \* 3/2014 Bei ..... D15/144  
D725,858 S \* 3/2015 Andre ..... D32/43  
D753,740 S \* 4/2016 Chambers ..... D15/144.1  
2017/0240451 A1 \* 8/2017 Wilson ..... C03B 5/2375

\* cited by examiner

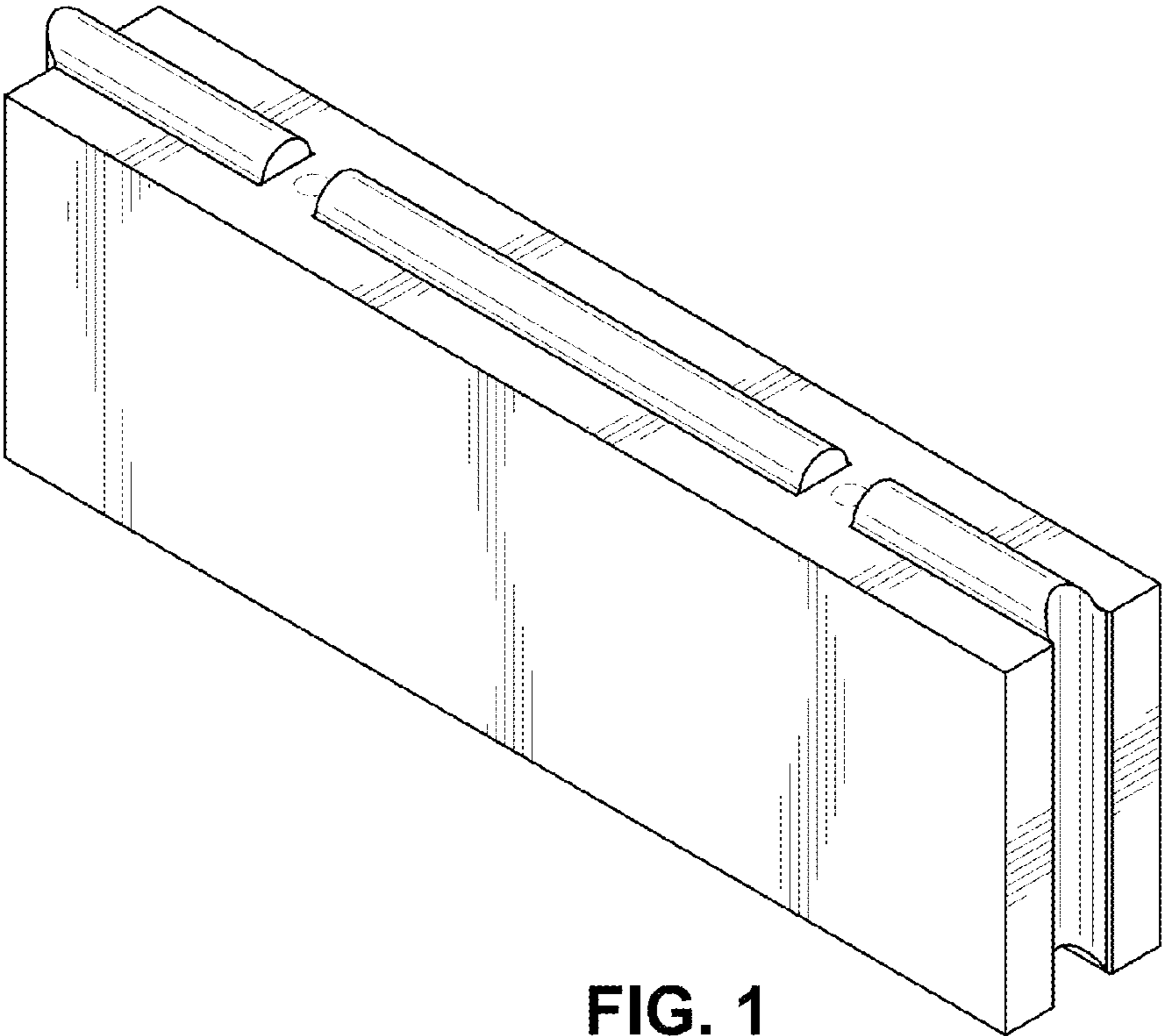


FIG. 1

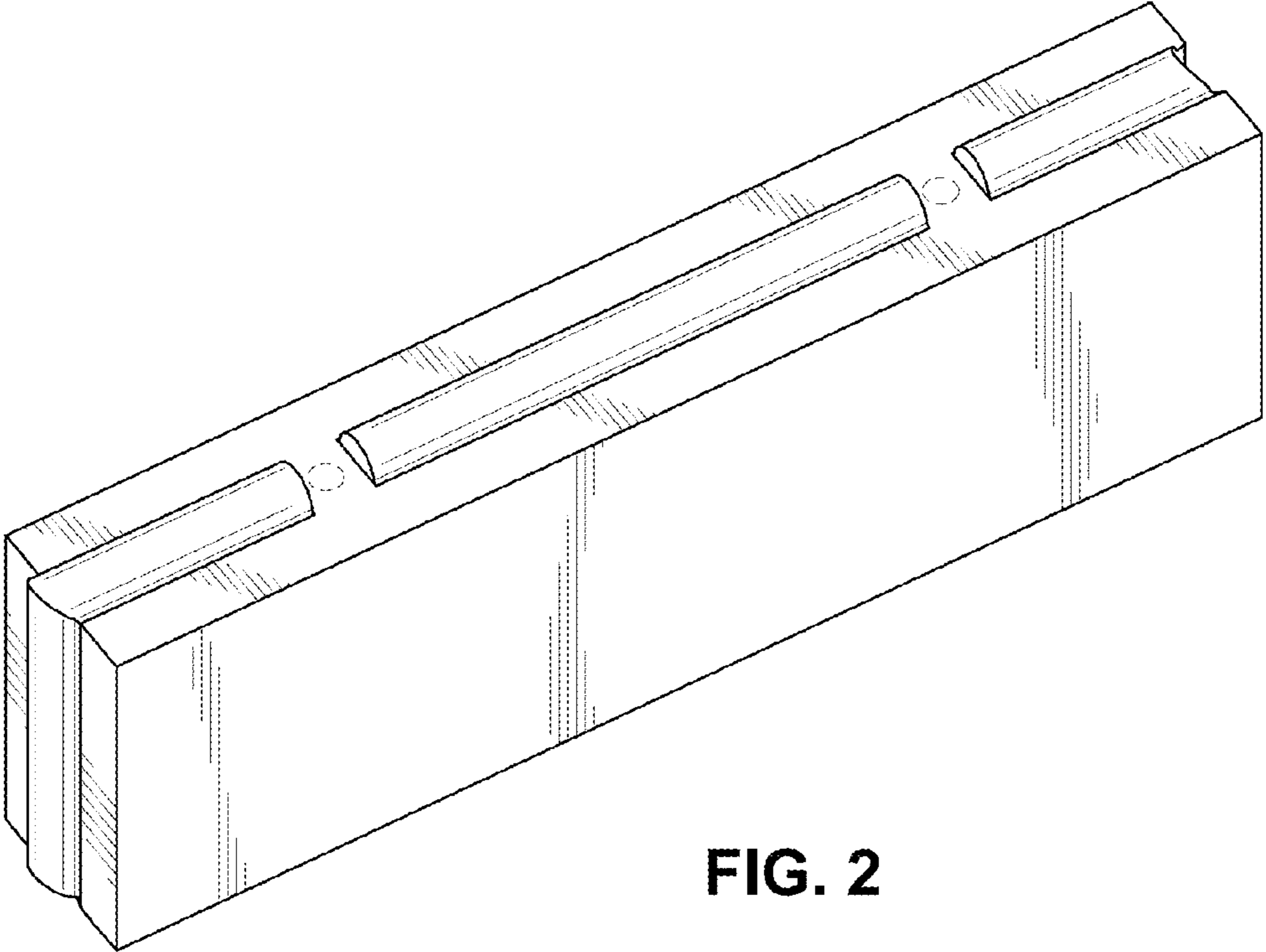


FIG. 2

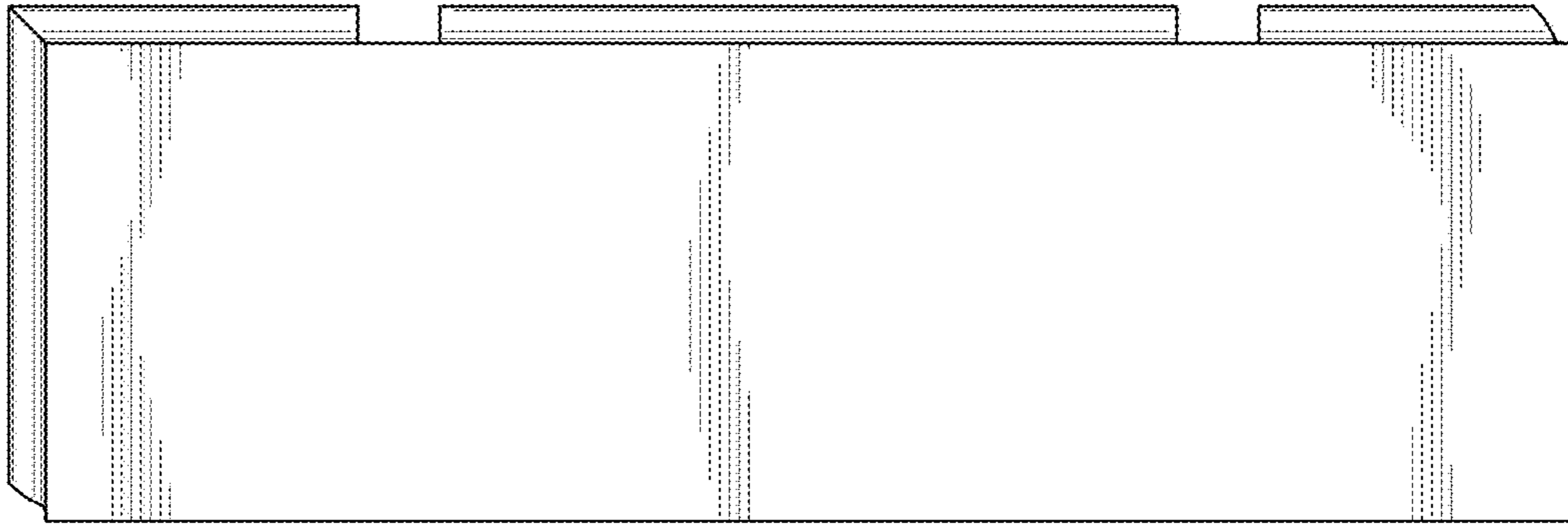


FIG. 3

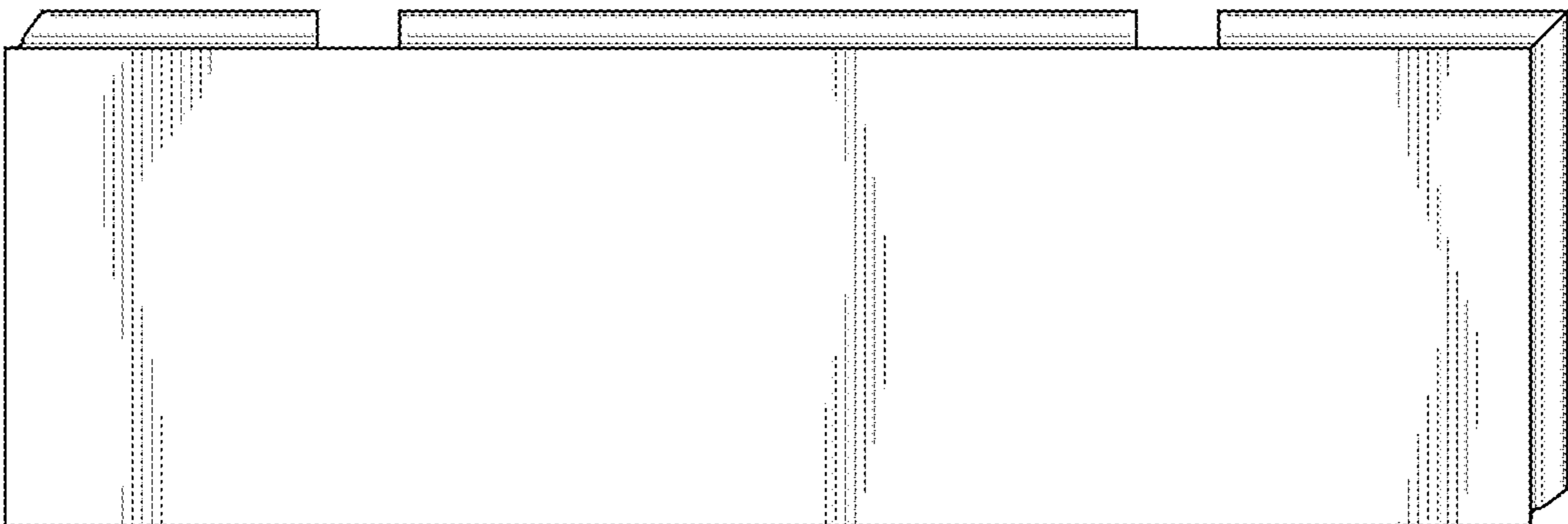


FIG. 4

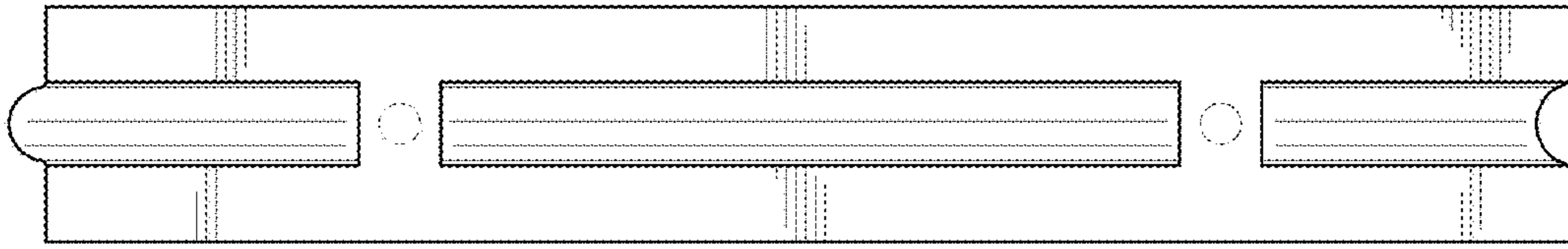


FIG. 5

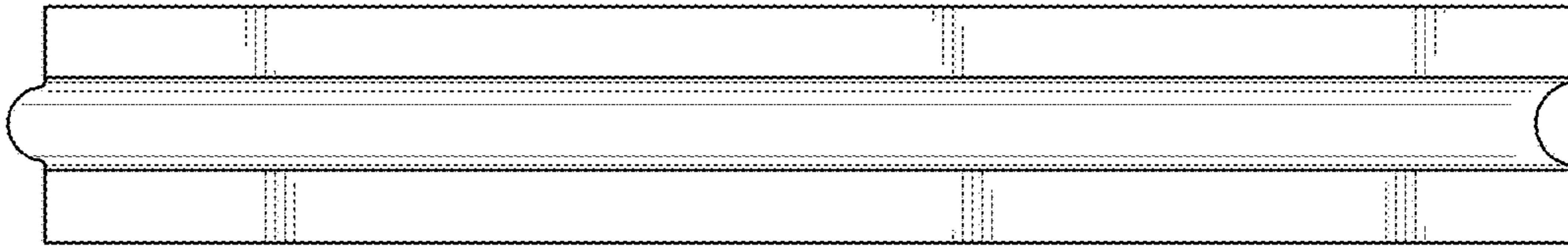


FIG. 6

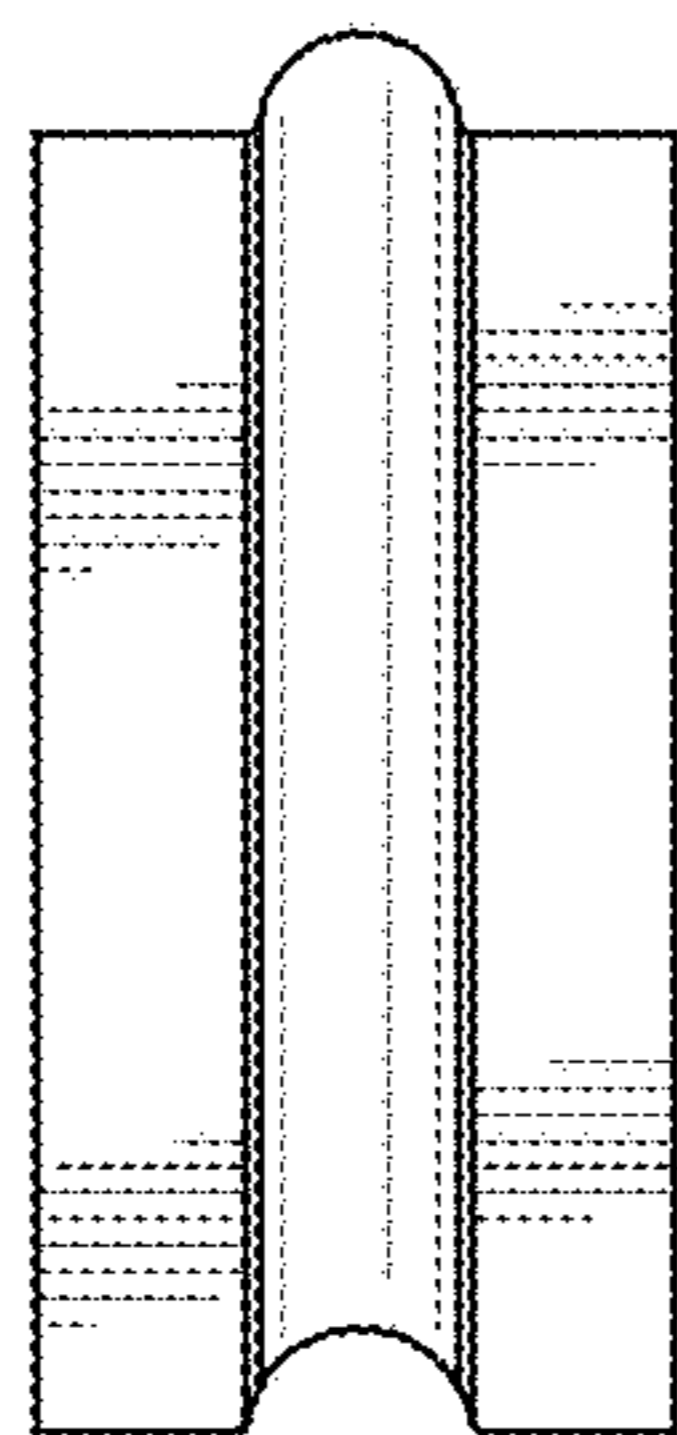


FIG. 7

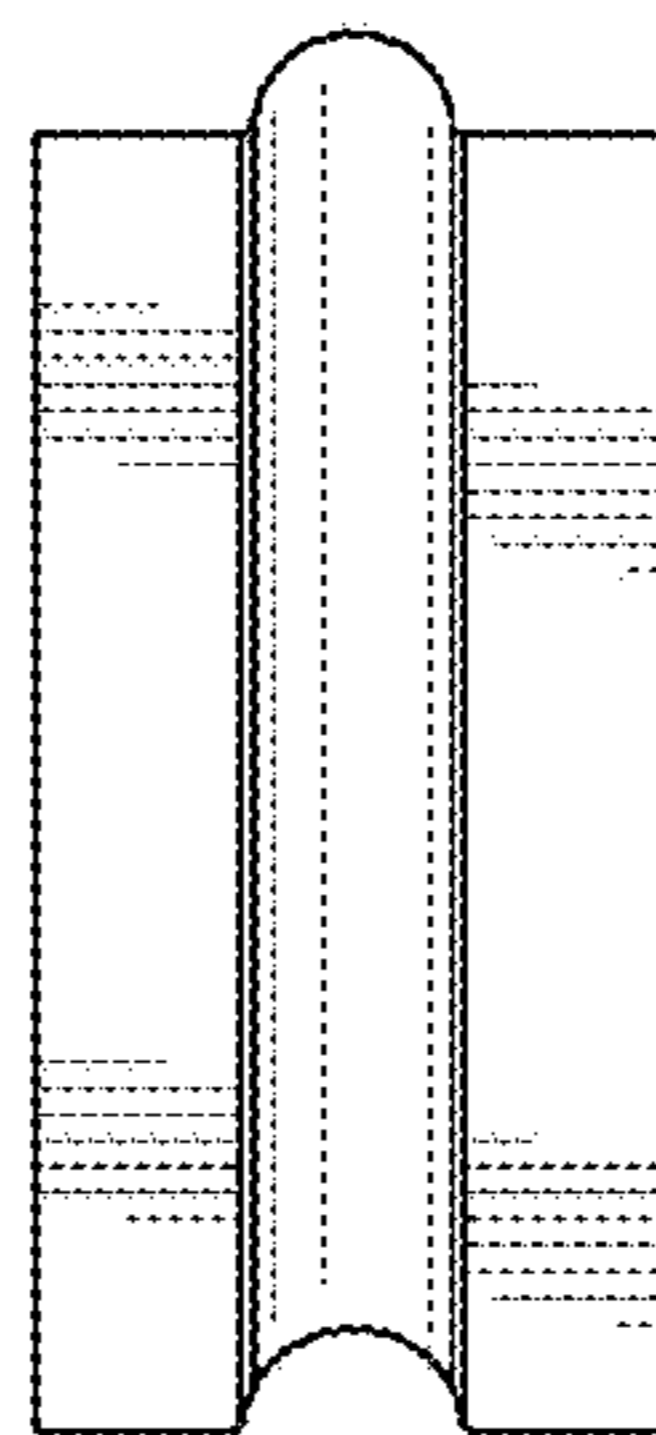
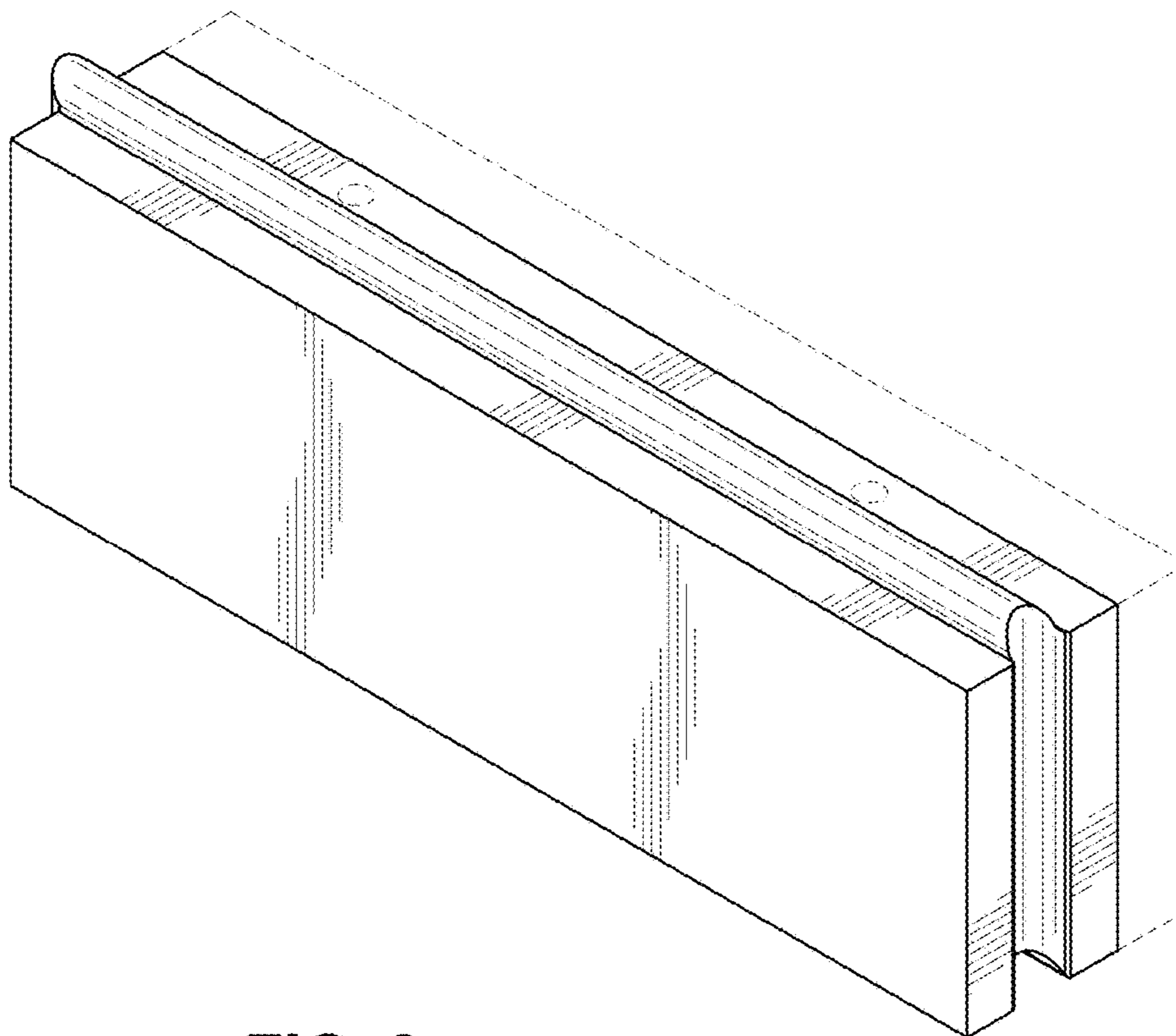
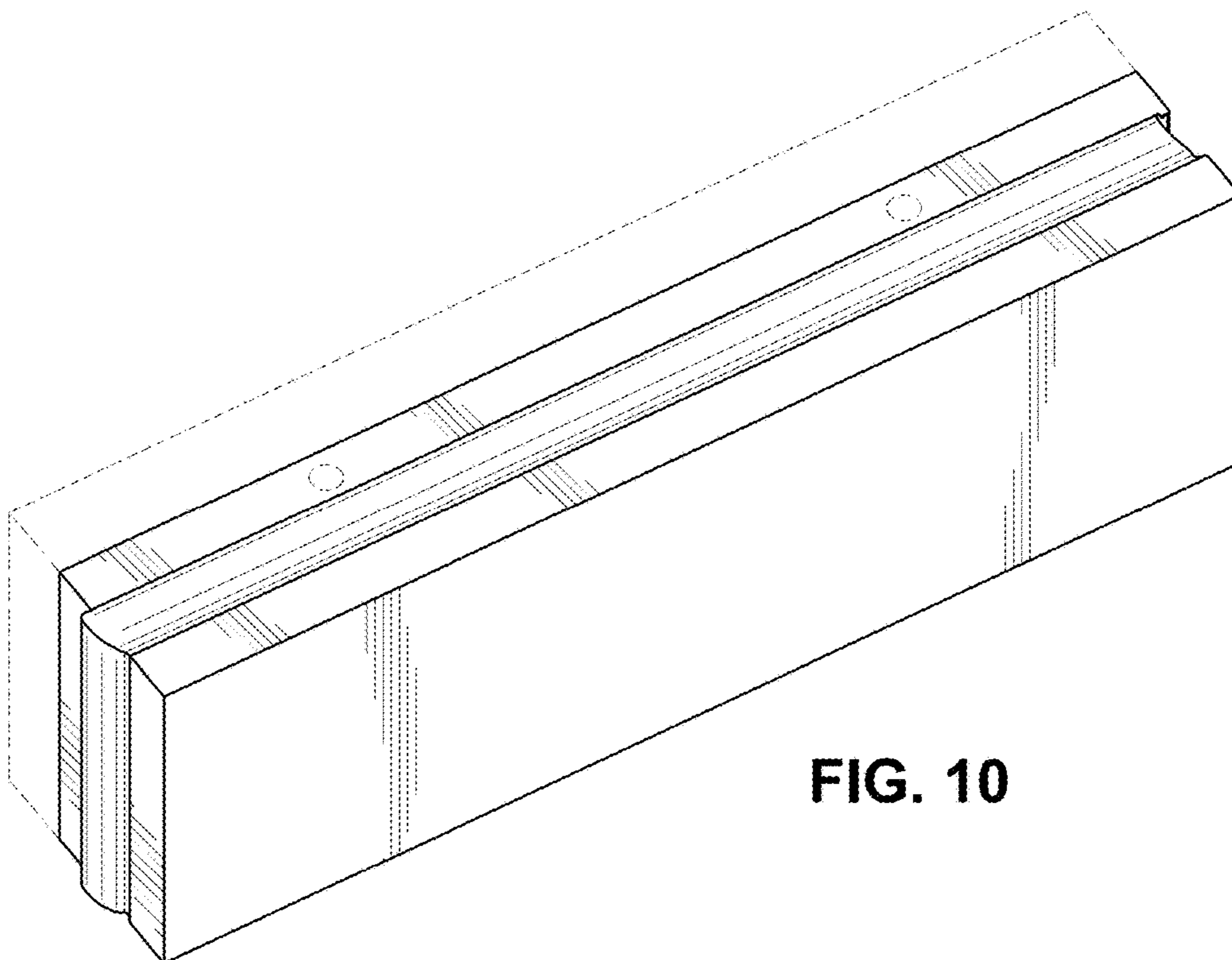


FIG. 8



**FIG. 9**



**FIG. 10**

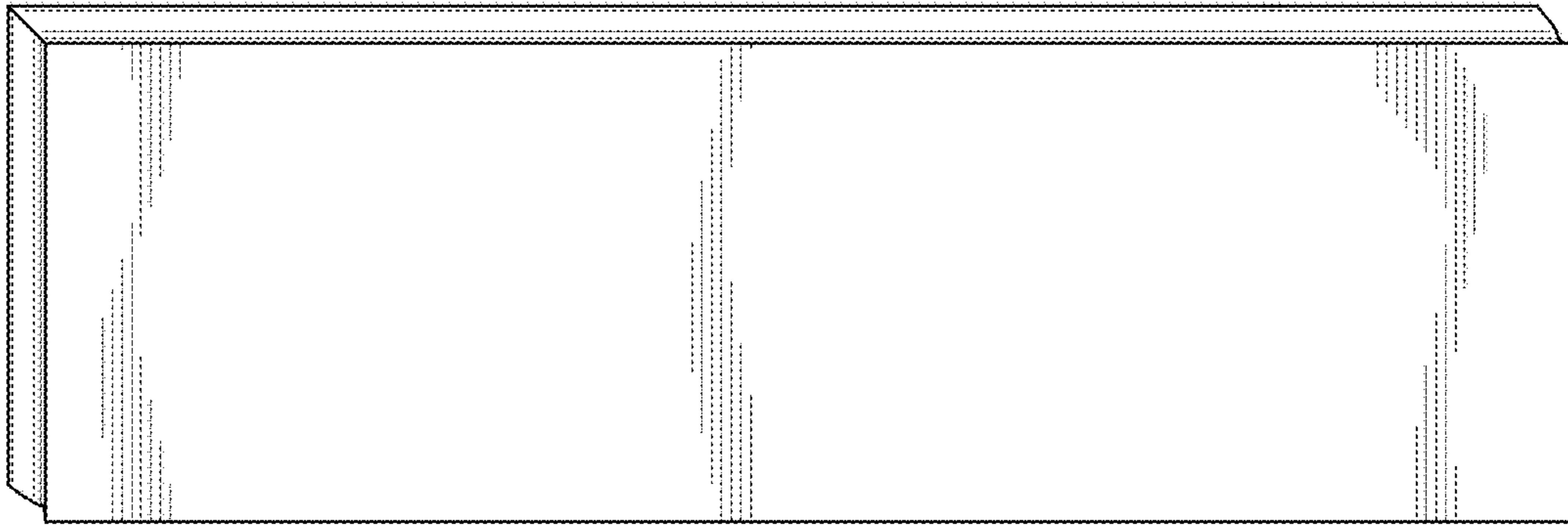


FIG. 11

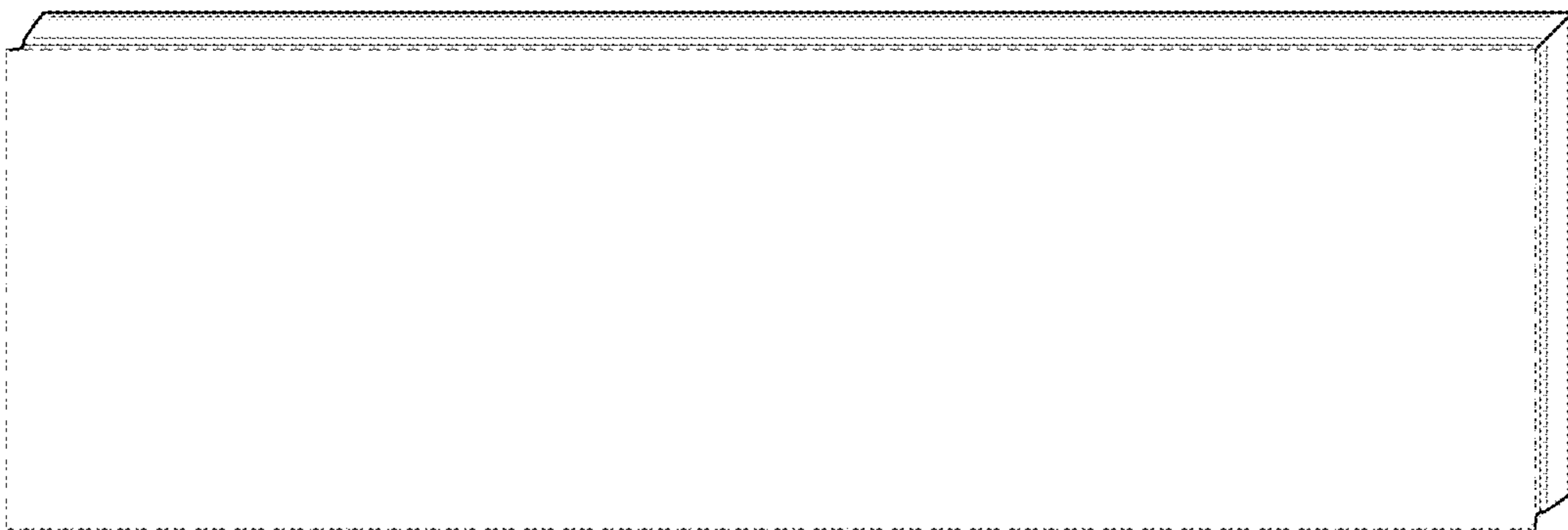


FIG. 12

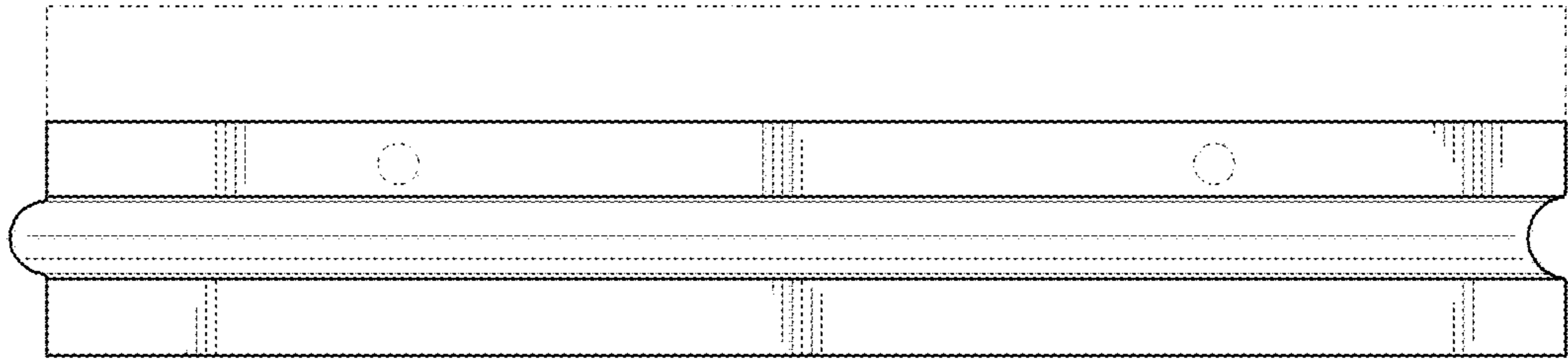


FIG. 13

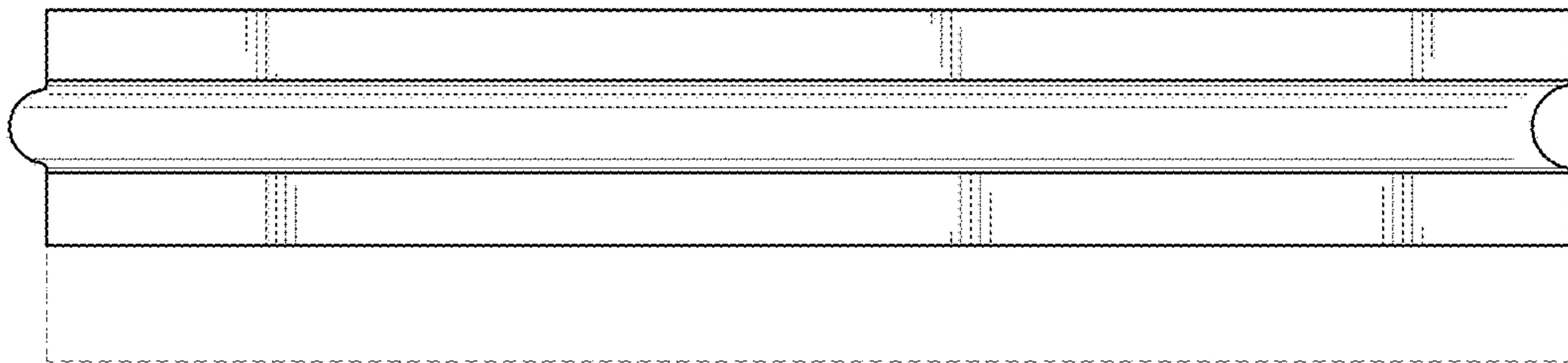


FIG. 14

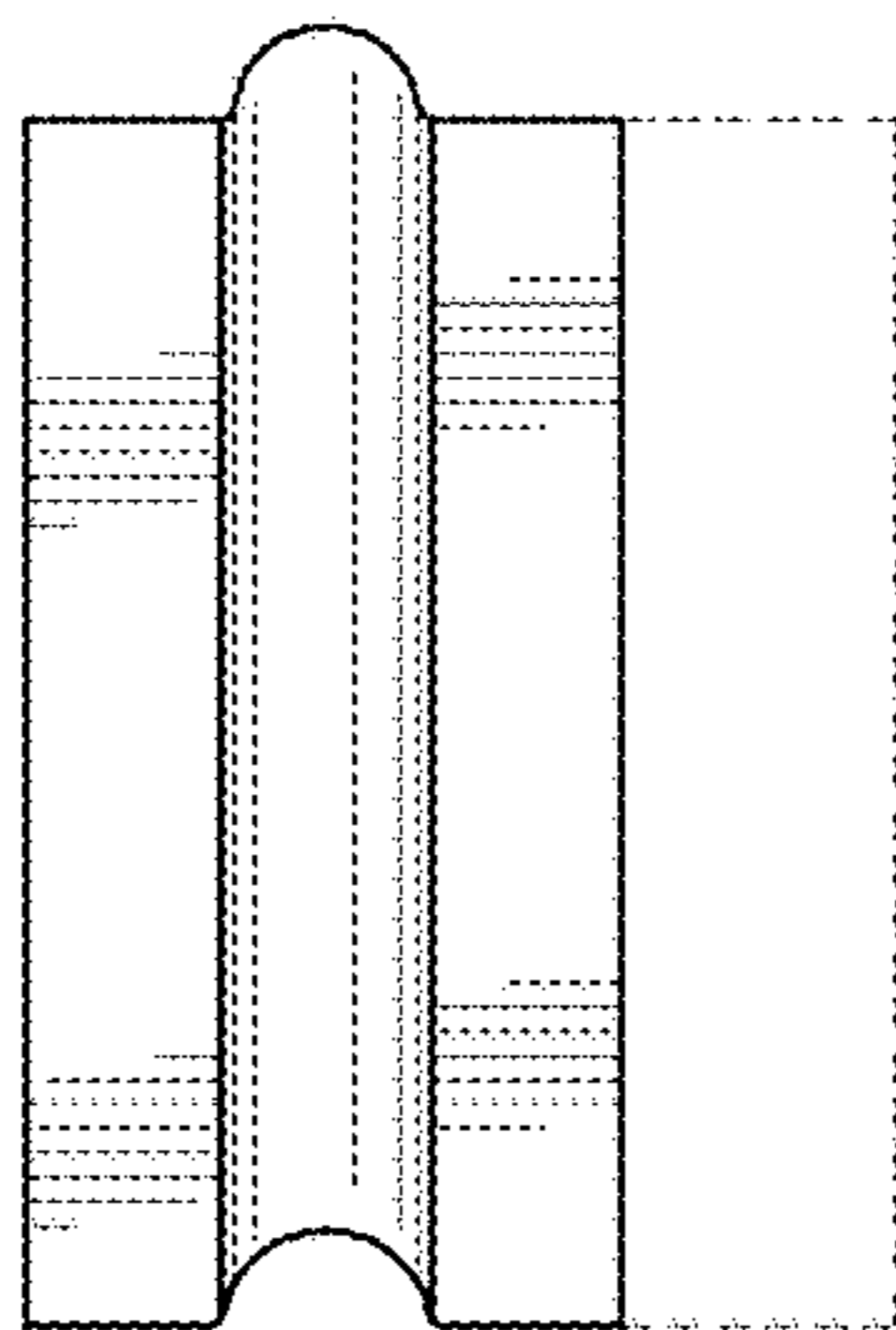


FIG. 15

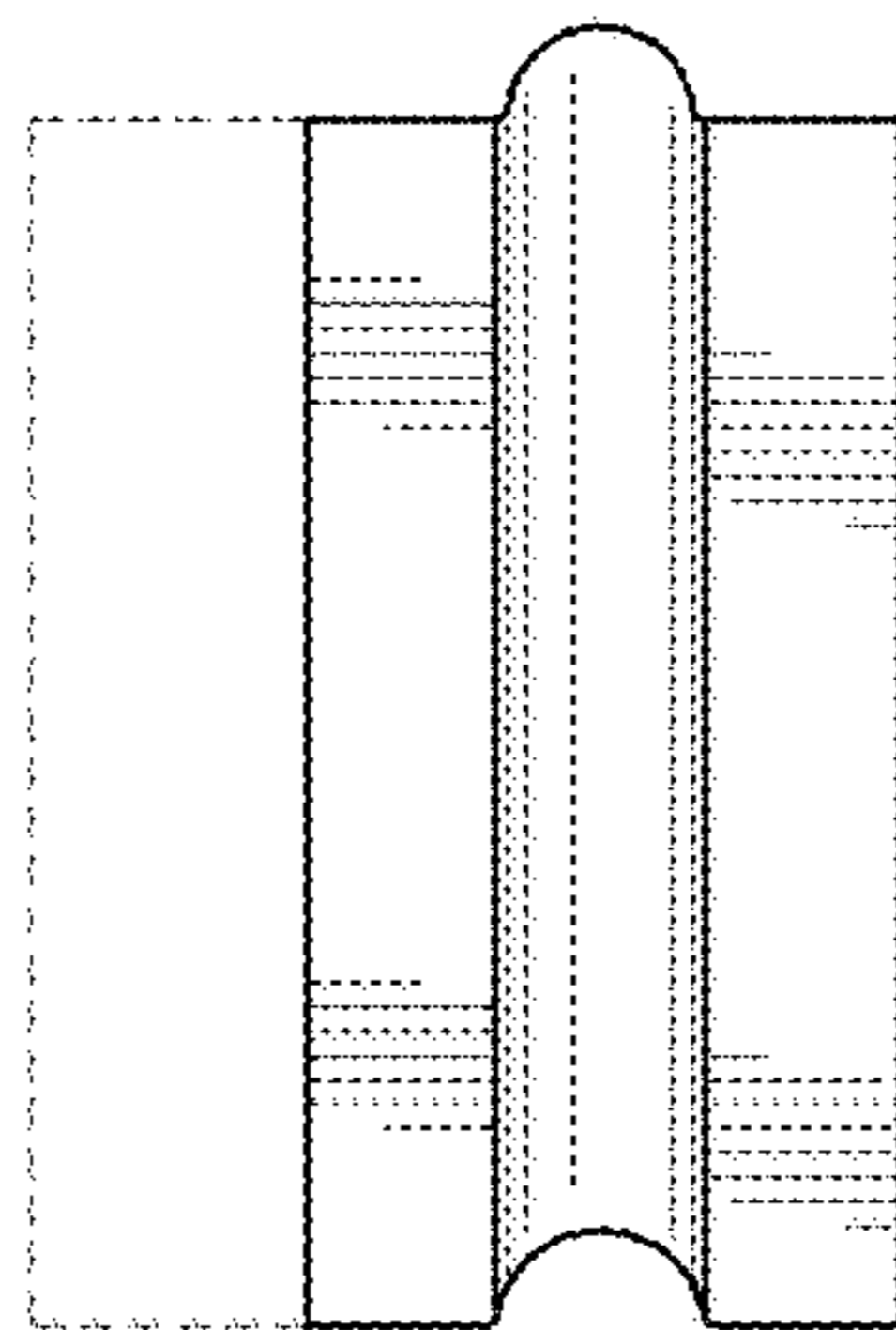


FIG. 16