



US00D829243S

(12) **United States Design Patent** (10) **Patent No.:** **US D829,243 S**  
**Li** (45) **Date of Patent:** **\*\* Sep. 25, 2018**

(54) **BALER**

(71) Applicant: **Foshan Shunde Kebo Machinery Manufacturing Co., Ltd.**, Foshan, Guangdong (CN)

(72) Inventor: **Jianwen Li**, Guangdong (CN)

(73) Assignee: **FOSHAN SHUNDE KEBO MACHINERY MANUFACTURING CO., LTD.**, Foshan (CN)

(\*\*) Term: **15 Years**

(21) Appl. No.: **29/592,024**

(22) Filed: **Jan. 26, 2017**

(30) **Foreign Application Priority Data**

Dec. 6, 2016 (CN) ..... 2016 3 0594009

(51) **LOC (11) Cl.** ..... **15-03**

(52) **U.S. Cl.**  
USPC ..... **D15/26**

(58) **Field of Classification Search**  
USPC ..... D14/240  
CPC ..... E02F 3/40; E02F 3/30; E02F 3/32; A01F 15/046  
See application file for complete search history.

(56) **References Cited**

U.S. PATENT DOCUMENTS

6,021,712 A \* 2/2000 Harrop ..... B30B 9/3007  
100/229 A

6,055,902 A \* 5/2000 Harrop ..... B30B 9/3007  
100/229 A

D450,062 S \* 11/2001 Spiers ..... D15/10

6,742,448 B1 \* 6/2004 Davis ..... B30B 9/3007  
100/229 A

8,371,214 B1 \* 2/2013 Correale, Jr. .... B30B 9/3007  
100/345

2002/0100374 A1 \* 8/2002 Ast ..... B65B 27/12  
100/3

2002/0148366 A1 \* 10/2002 Sutton ..... B30B 1/34  
100/34

2014/0158002 A1 \* 6/2014 O'Reilly ..... A01F 15/0841  
100/188 R

2015/0334923 A1 \* 11/2015 Verhaeghe ..... A01F 15/0825  
56/341

2016/0014970 A1 \* 1/2016 Kraus ..... A01F 15/0765  
701/50

2016/0021827 A1 \* 1/2016 Keller ..... A01F 15/14  
56/432

2016/0366825 A1 \* 12/2016 Dunham ..... A01D 89/002

2017/0049058 A1 \* 2/2017 Eubanks ..... A01F 15/0715

2017/0067495 A1 \* 3/2017 Simmons ..... A01F 15/0715

2017/0071133 A1 \* 3/2017 Singh ..... A01F 15/10

2017/0311549 A1 \* 11/2017 Johnston ..... A01F 15/046

\* cited by examiner

*Primary Examiner* — John Windmuller  
*Assistant Examiner* — Benjamin M Weeks

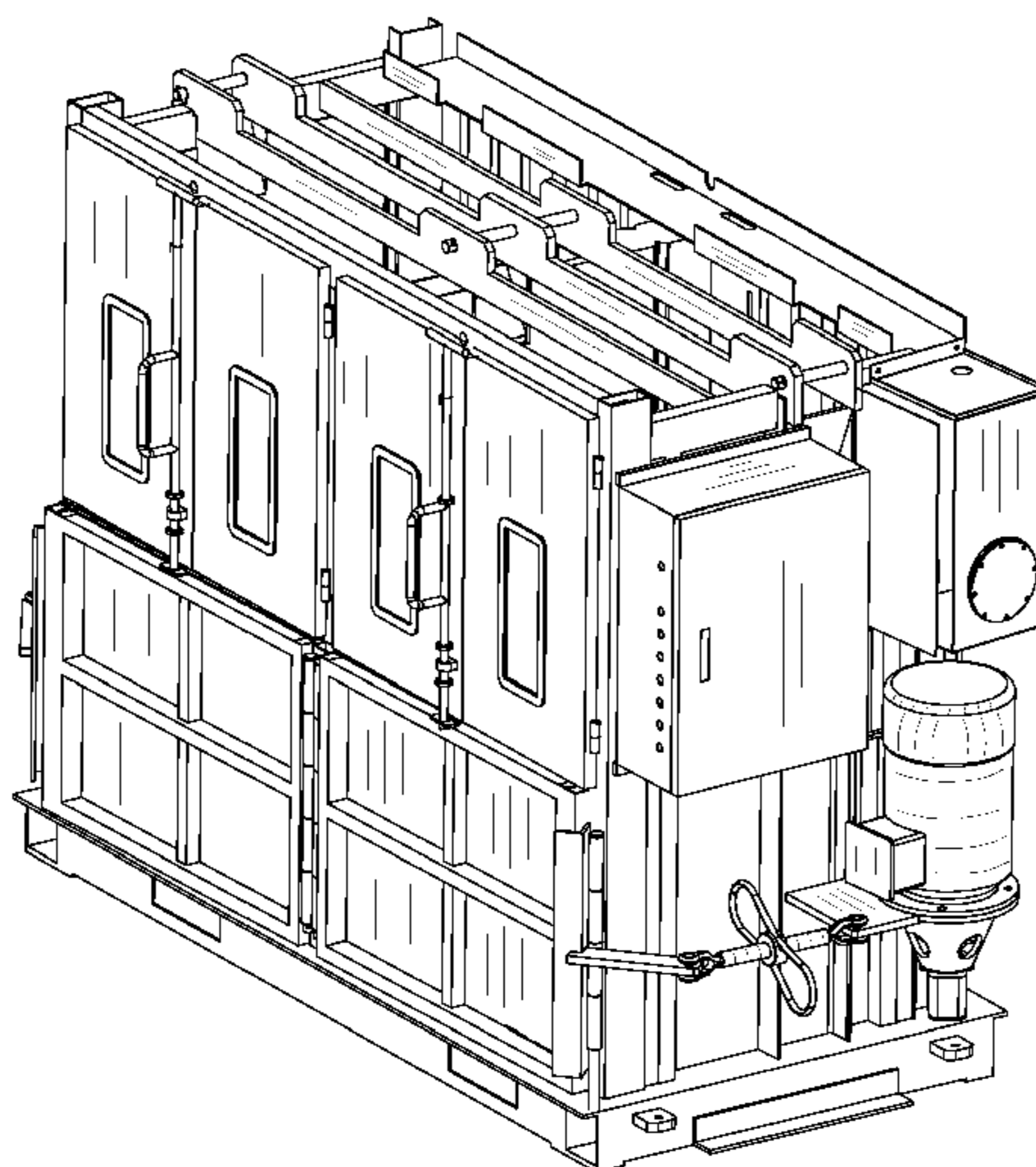
(57) **CLAIM**

The ornamental design for a baler, as shown and described.

**DESCRIPTION**

FIG. 1 is a front elevational view of a baler showing my new design;  
 FIG. 2 is a rear elevational view thereof;  
 FIG. 3 is a left side view thereof;  
 FIG. 4 is a right side view thereof;  
 FIG. 5 is a top plan view thereof;  
 FIG. 6 is a bottom plan view thereof;  
 FIG. 7 is a first perspective view thereof;  
 FIG. 8 is a second perspective view thereof;  
 FIG. 9 is a third perspective view thereof; and,  
 FIG. 10 is a fourth perspective view thereof.

**1 Claim, 10 Drawing Sheets**



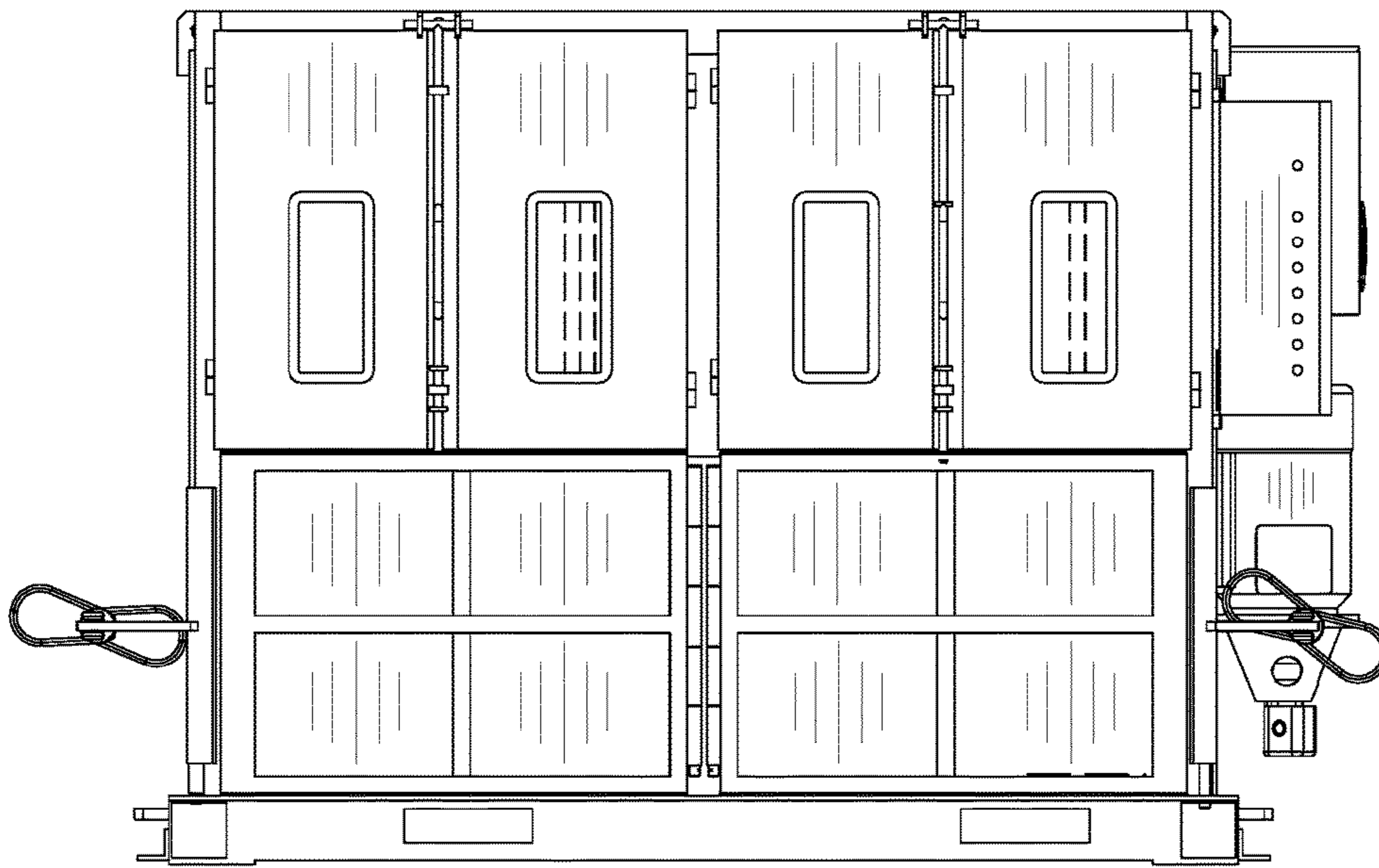


FIG. 1

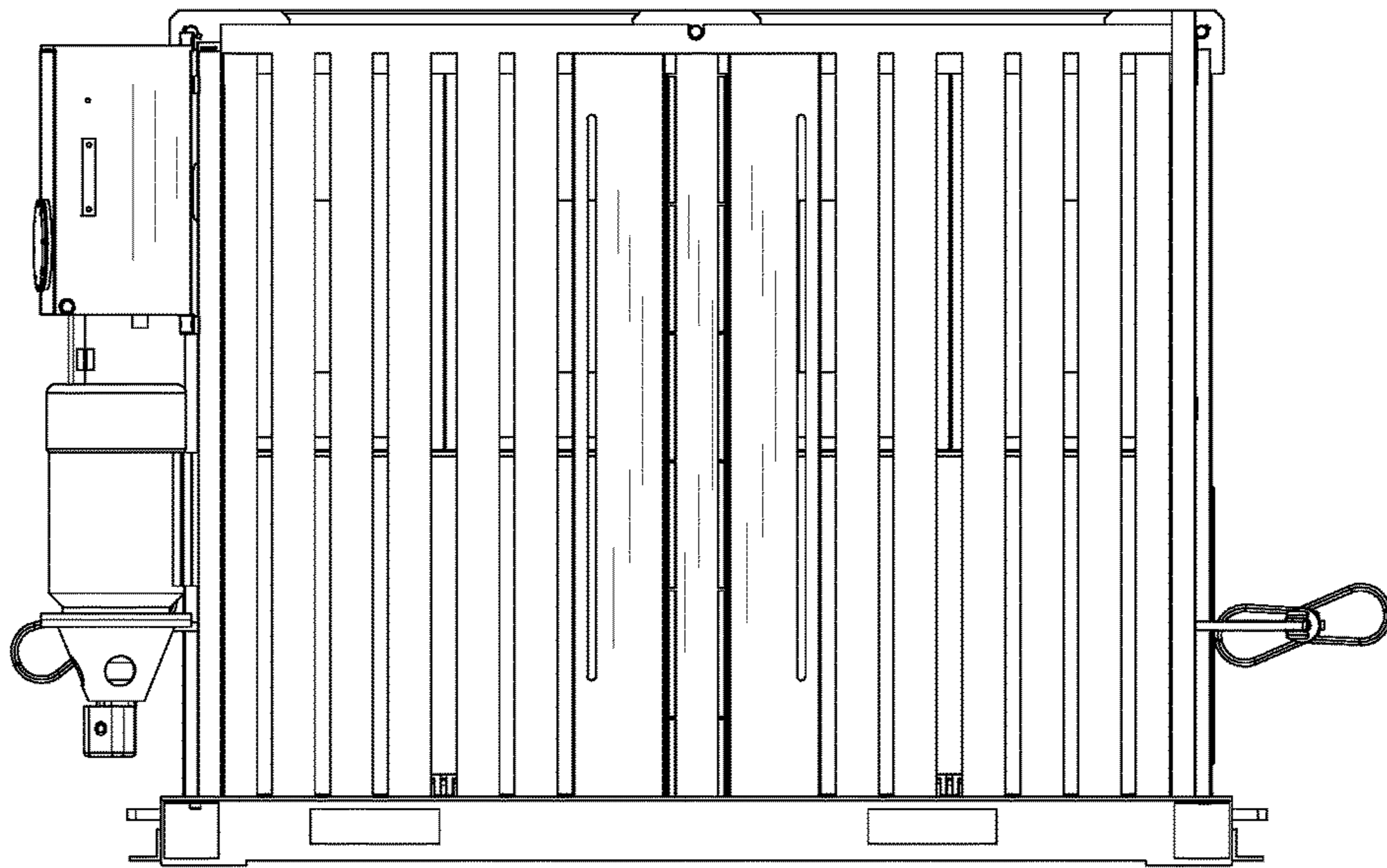


FIG. 2

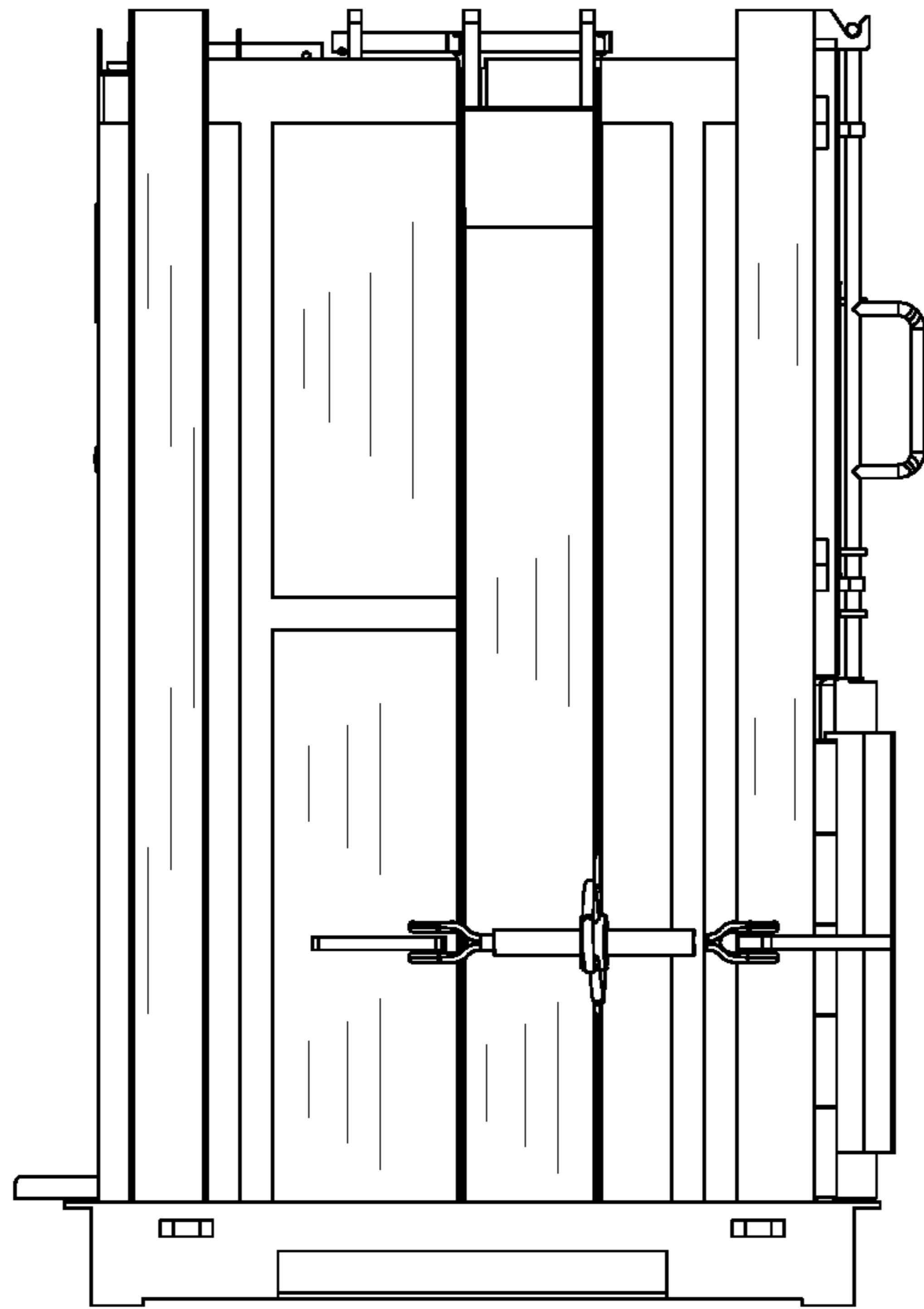


FIG. 3

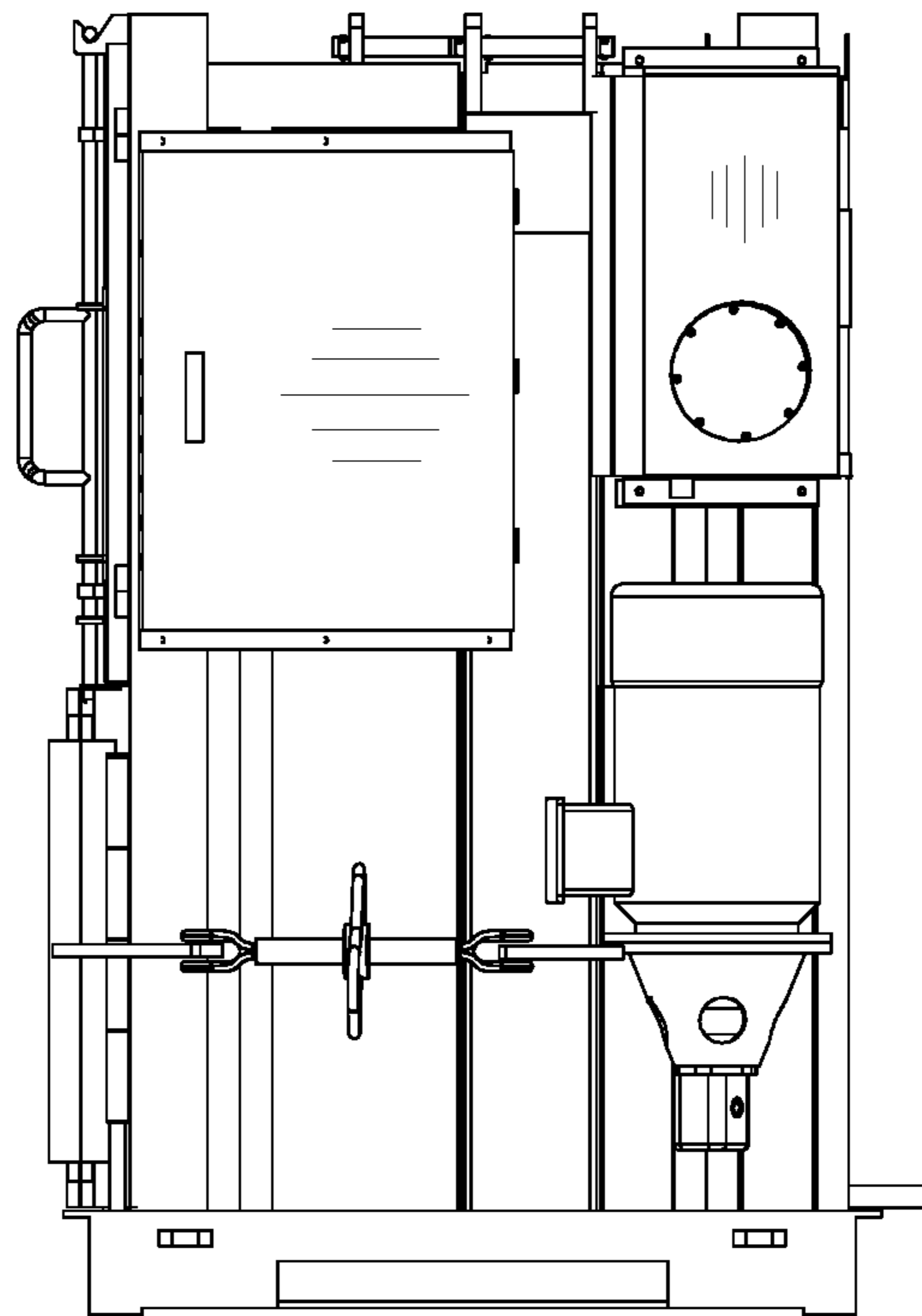


FIG. 4

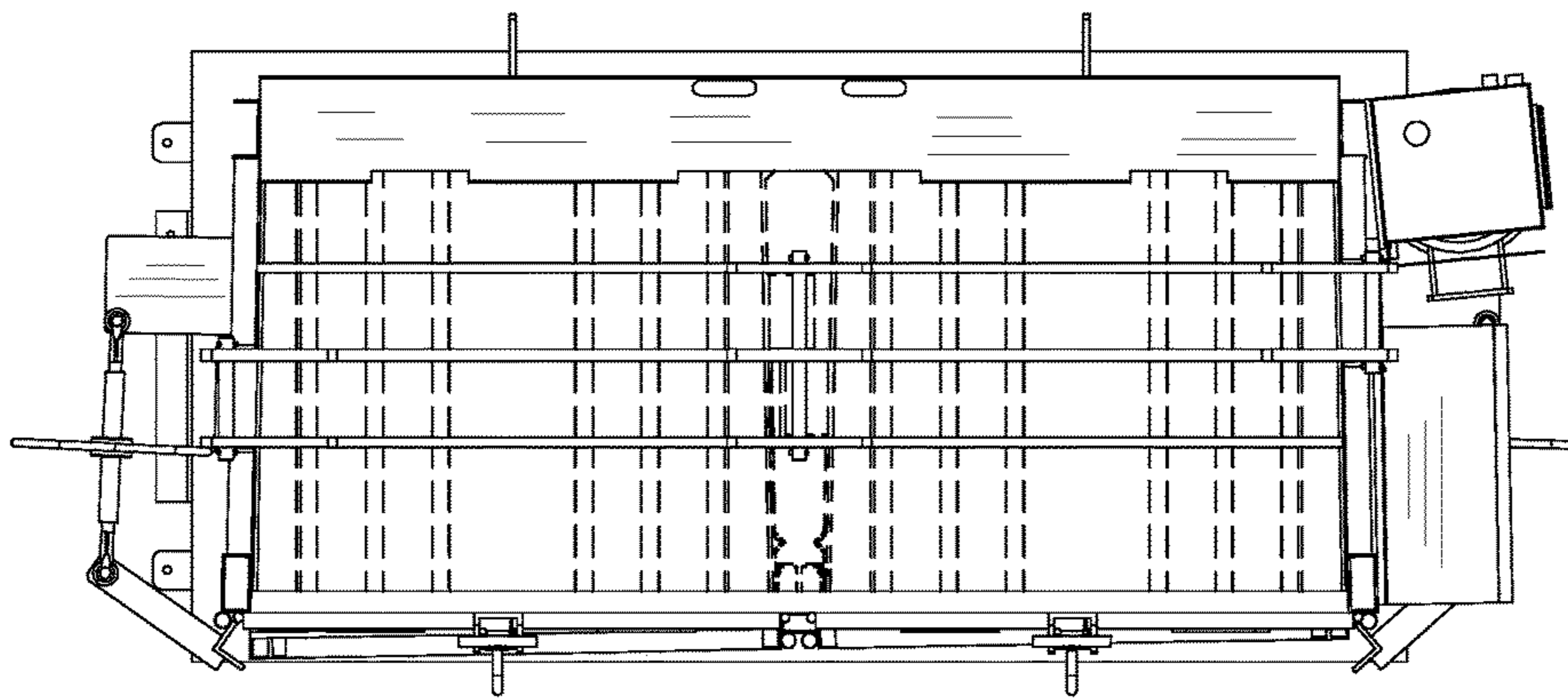


FIG. 5

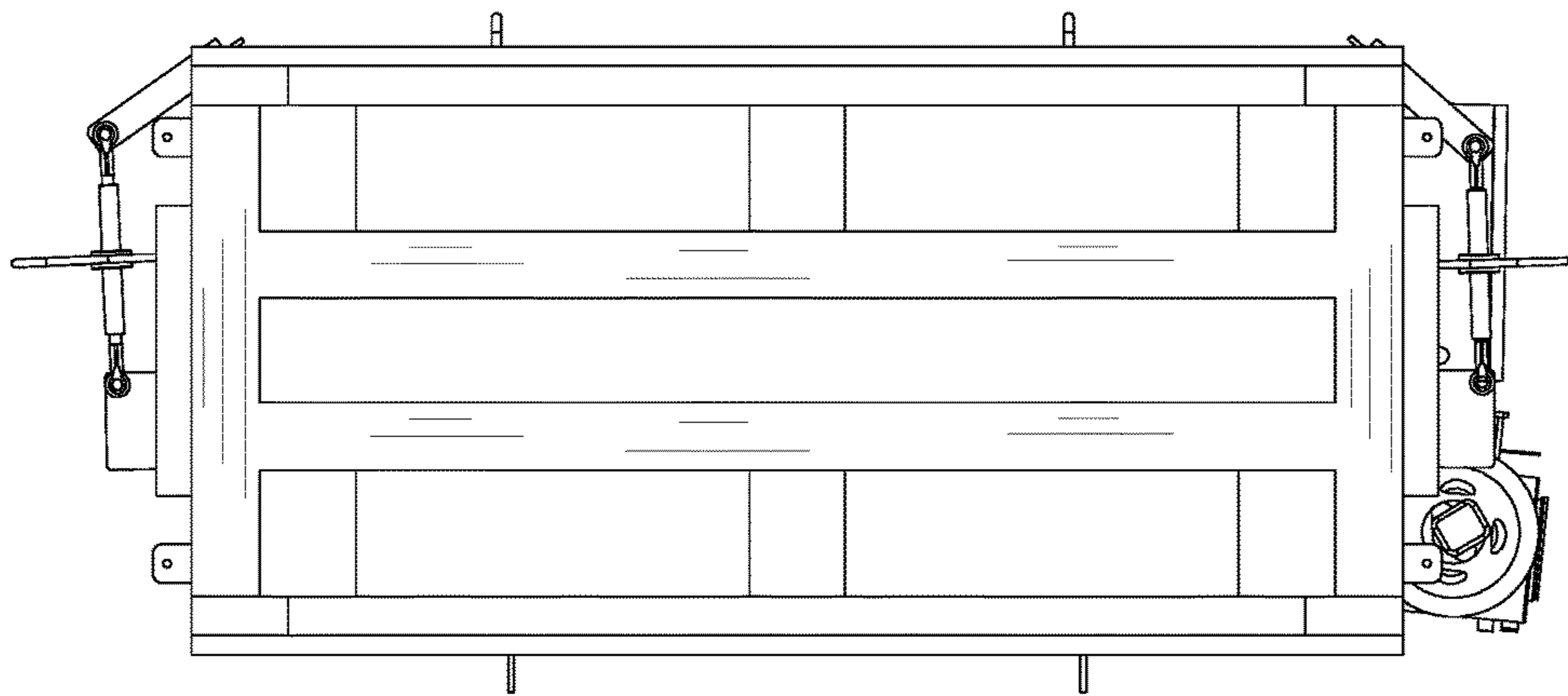


FIG. 6

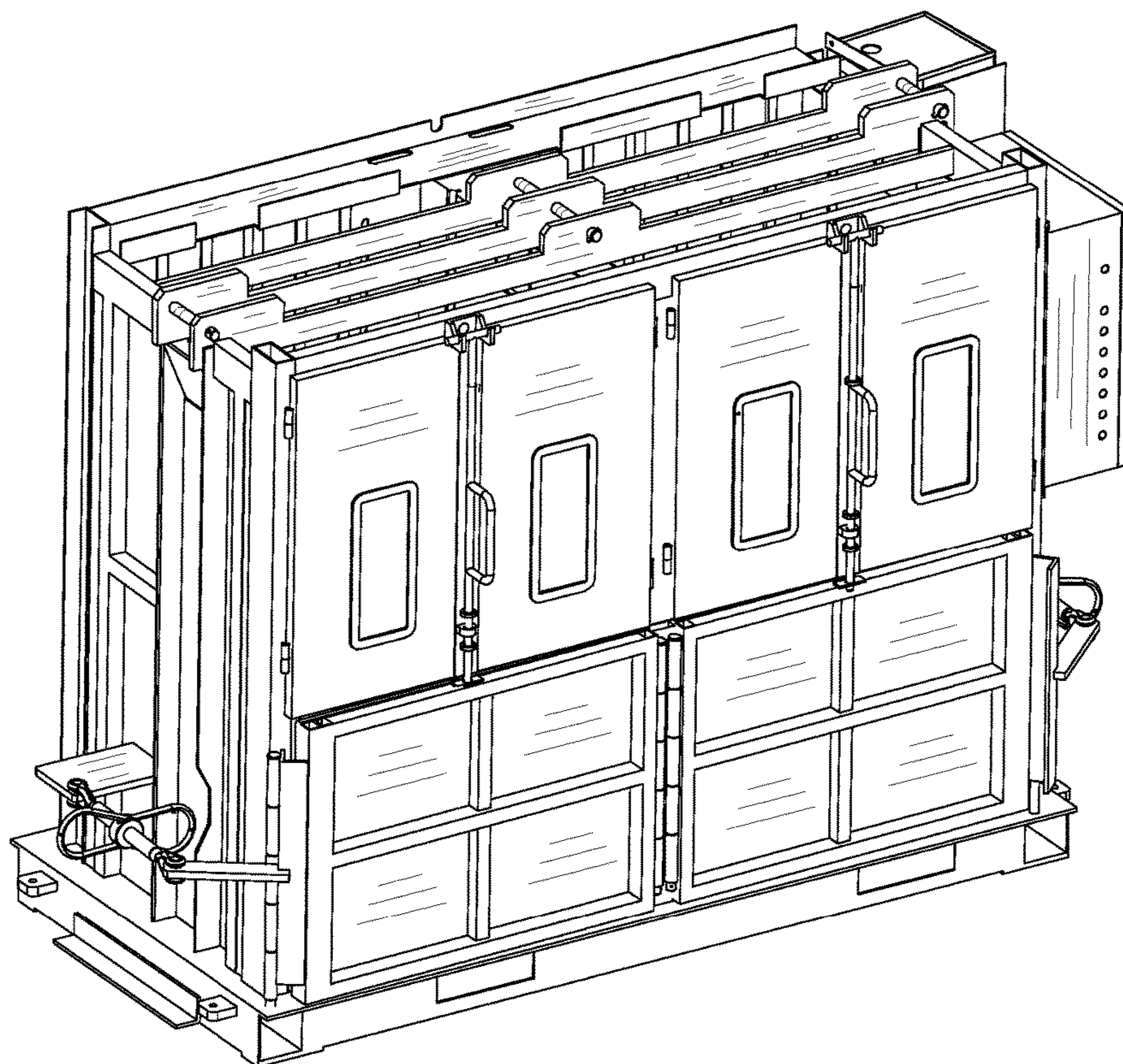


FIG. 7



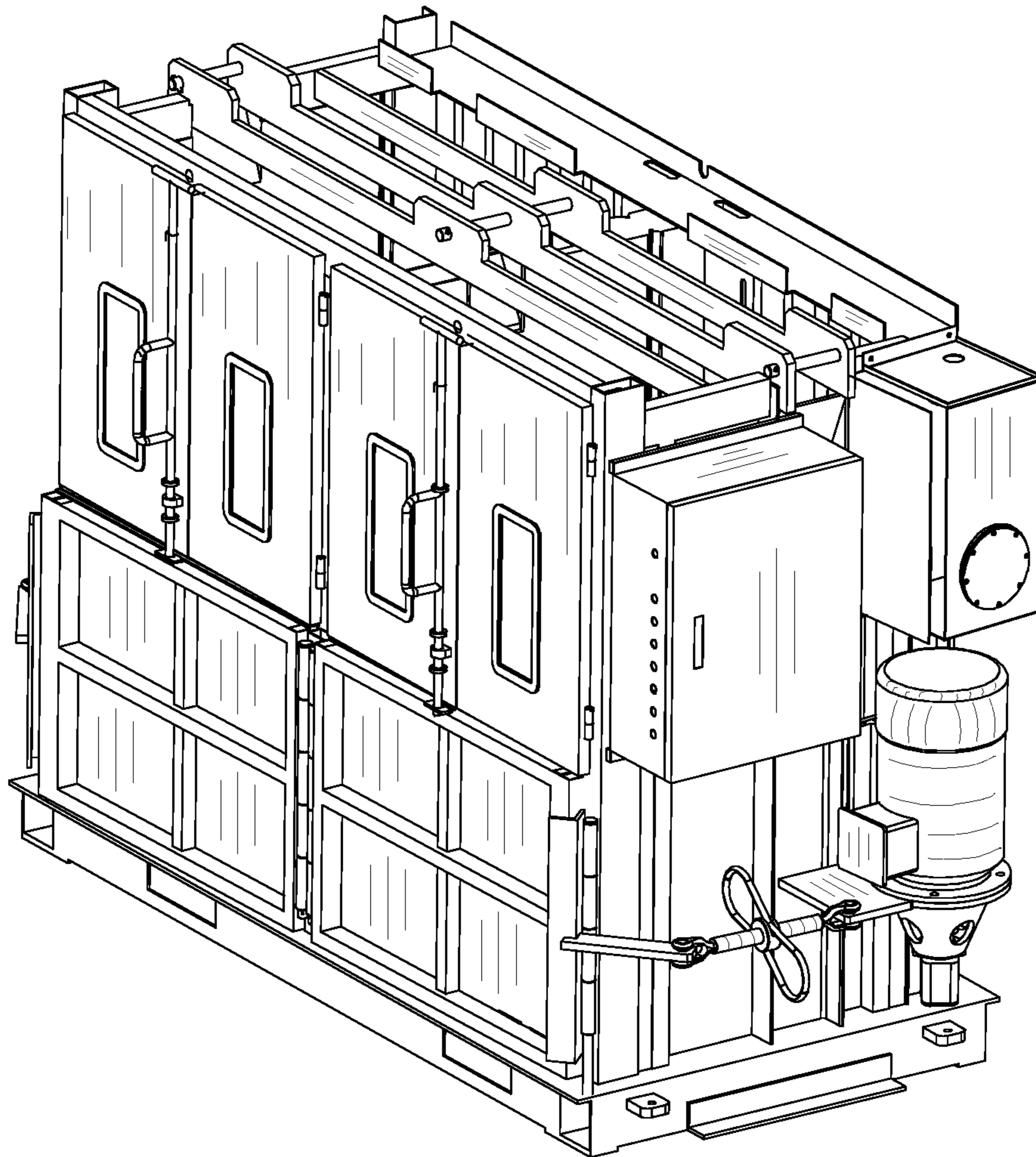


FIG. 8

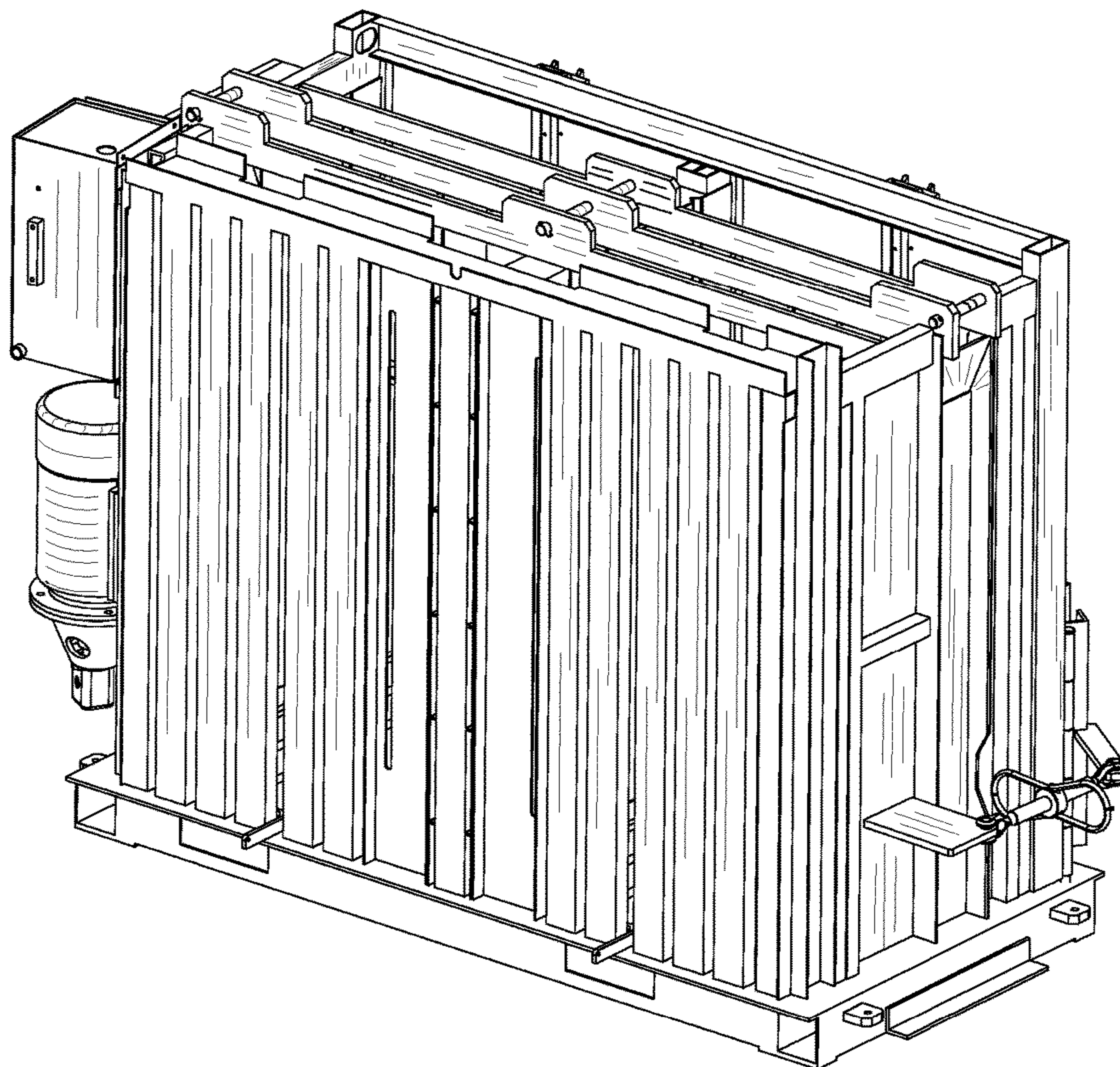


FIG. 9

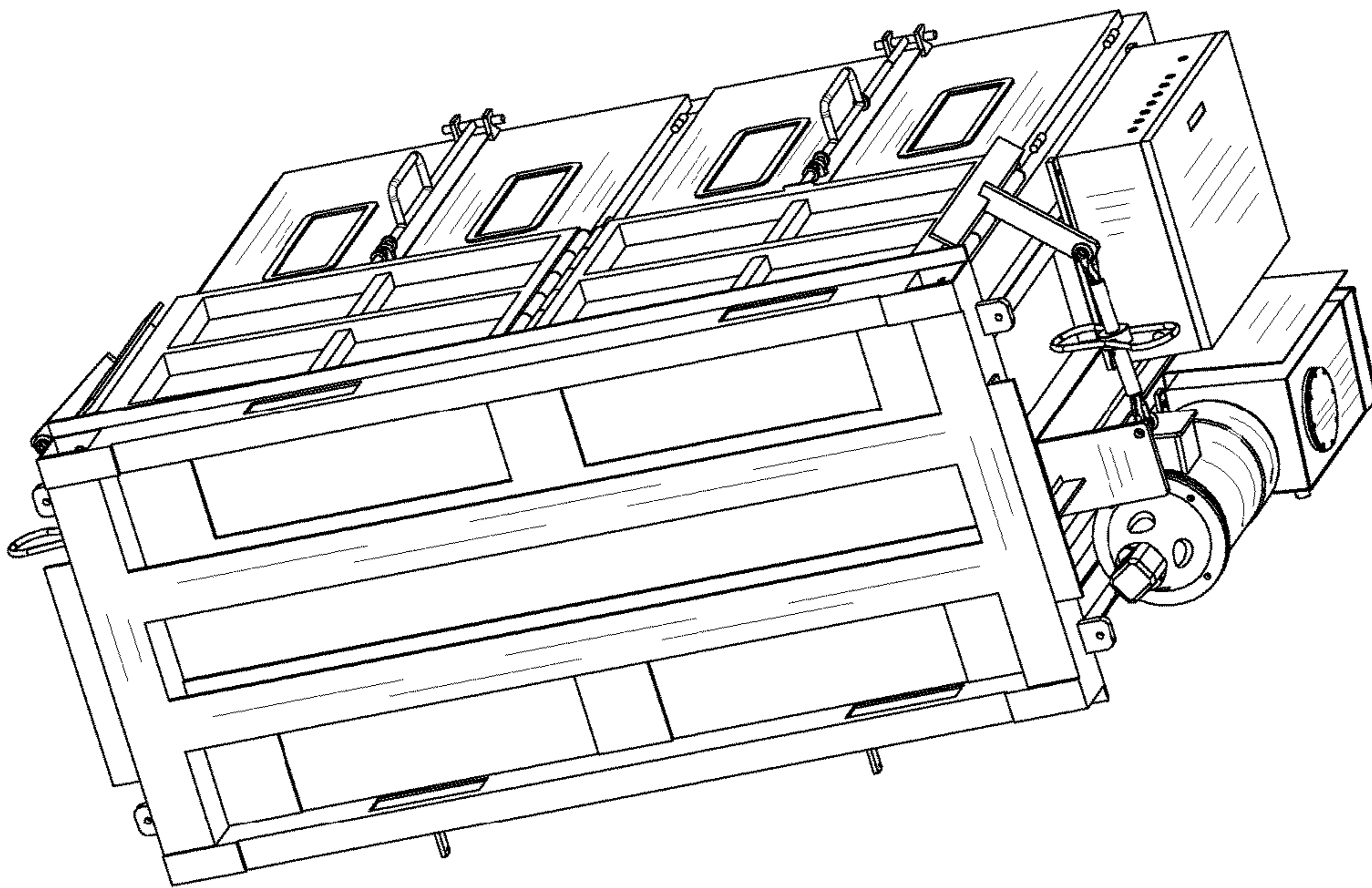


FIG. 10