



US00D829242S

(12) **United States Design Patent**  
**Laine et al.**

(10) **Patent No.:** **US D829,242 S**  
(45) **Date of Patent:** **\*\* Sep. 25, 2018**

- (54) **CONTROL DEVICE**
- (71) Applicant: **RAZER (ASIA-PACIFIC) PTE. LTD.**,  
Singapore (SG)
- (72) Inventors: **Francois Laine**, San Francisco, CA  
(US); **Min-Liang Tan**, Singapore (SG)
- (73) Assignee: **RAZER (ASIA-PACIFIC) PTE. LTD.**,  
Singapore (SG)

- D729,773 S \* 5/2015 Salojarvi ..... D14/218
- D742,359 S \* 11/2015 Zhao ..... D14/216
- D742,954 S \* 11/2015 Simonelli ..... D16/203
- D743,954 S \* 11/2015 Chuang ..... D13/168
- D746,166 S \* 12/2015 Li ..... D10/104.1
- D747,229 S \* 1/2016 Perez ..... D10/104.1
- D751,538 S \* 3/2016 Koehler ..... D14/240
- D757,587 S \* 5/2016 Li ..... D10/106.6
- D760,221 S \* 6/2016 Maruyama ..... D14/357
- D760,697 S \* 7/2016 Zhao ..... D14/216

(Continued)

(\*\*) Term: **15 Years**

*Primary Examiner* — Selina Sikder  
(74) *Attorney, Agent, or Firm* — Polsinelli PC

(21) Appl. No.: **29/619,486**

(57) **CLAIM**

(22) Filed: **Sep. 29, 2017**

We claim the ornamental design for a control device, as shown and described.

(51) **LOC (11) Cl.** ..... **14-03**

(52) **U.S. Cl.**  
USPC ..... **D14/496; D14/216**

**DESCRIPTION**

(58) **Field of Classification Search**  
USPC ..... D13/108, 162, 168, 184; D14/137, 140,  
D14/142, 150, 151, 203.6, 204, 215, 216,  
D14/217, 218, 221, 225, 228, 230, 240,  
D14/356, 358, 388, 400, 496; D10/49,  
D10/50, 52, 53, 55, 56, 60, 104.1, 106.1  
CPC .. A63F 13/00; A63F 11/00; A63F 2300/8047;  
G06F 17/00

See application file for complete search history.

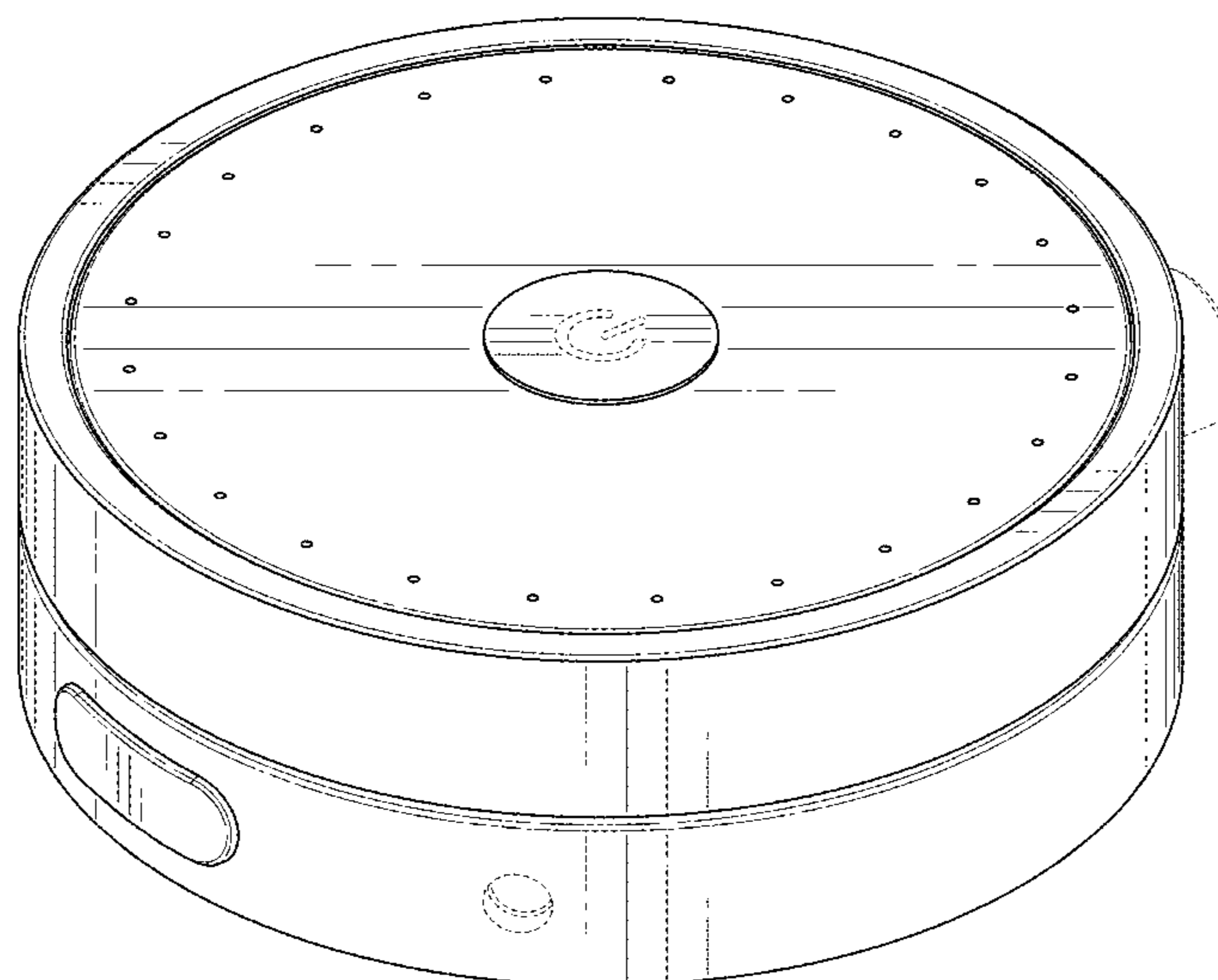
FIG. 1 is a perspective view of a first embodiment of a control device, showing our new design;  
FIG. 2 is a front elevational view thereof;  
FIG. 3 is a rear elevational view thereof;  
FIG. 4 is a right side elevational view thereof;  
FIG. 5 is a left side elevational view thereof;  
FIG. 6 is a top plan view thereof; and  
FIG. 7 is a bottom plan view thereof.  
FIG. 8 is a perspective view of a second embodiment of a control device, the second embodiment being the same as the first embodiment except that the broken lines are used to illustrate unclaimed portions of the control device;  
FIG. 9 is a front elevational view thereof;  
FIG. 10 is a rear elevational view thereof;  
FIG. 11 is a right side elevational view thereof;  
FIG. 12 is a left side elevational view thereof;  
FIG. 13 is a top plan view thereof; and,  
FIG. 14 is a bottom plan view thereof.  
Broken lines are for illustrating unclaimed portions of the control device and form no part of the claimed design.

(56) **References Cited**

U.S. PATENT DOCUMENTS

- D542,273 S \* 5/2007 Park ..... D14/215
- D598,018 S \* 8/2009 Sumii ..... D14/301
- D600,694 S \* 9/2009 Sumii ..... D14/356
- D601,564 S \* 10/2009 Maeno ..... D14/400
- D602,911 S \* 10/2009 Wang ..... D14/216
- D609,636 S \* 2/2010 Jensen ..... D13/108
- D656,130 S \* 3/2012 Bailey ..... D14/227
- 8,462,976 B2 \* 6/2013 Tamaru ..... H04M 1/02  
379/202.01
- D710,329 S \* 8/2014 Holzer ..... D14/216
- D726,161 S \* 4/2015 Howard ..... D14/218

**1 Claim, 14 Drawing Sheets**



(56)

**References Cited**

U.S. PATENT DOCUMENTS

D771,142 S \* 11/2016 Langhammer ..... D14/203.6  
D773,947 S \* 12/2016 Scarcella ..... D10/104.1  
D774,455 S \* 12/2016 Kim ..... D13/108  
9,581,342 B2 \* 2/2017 Daniels ..... F24D 19/10  
D783,422 S \* 4/2017 Kashimoto ..... D10/50  
D792,468 S \* 7/2017 Langhammer ..... D14/203.3  
D806,709 S \* 1/2018 Gummalla ..... D14/358  
D812,577 S \* 3/2018 Turksu ..... D13/168  
D814,436 S \* 4/2018 Wen ..... D14/150  
D815,149 S \* 4/2018 Langhammer ..... D14/496  
2004/0160928 A1 \* 8/2004 Perlman ..... H04L 63/0428  
370/338  
2013/0028457 A1 \* 1/2013 Yeh ..... H04R 1/10  
381/334  
2015/0334480 A1 \* 11/2015 Yang ..... H04R 9/06  
381/394  
2017/0344058 A1 \* 11/2017 Kim ..... H04W 4/70

\* cited by examiner

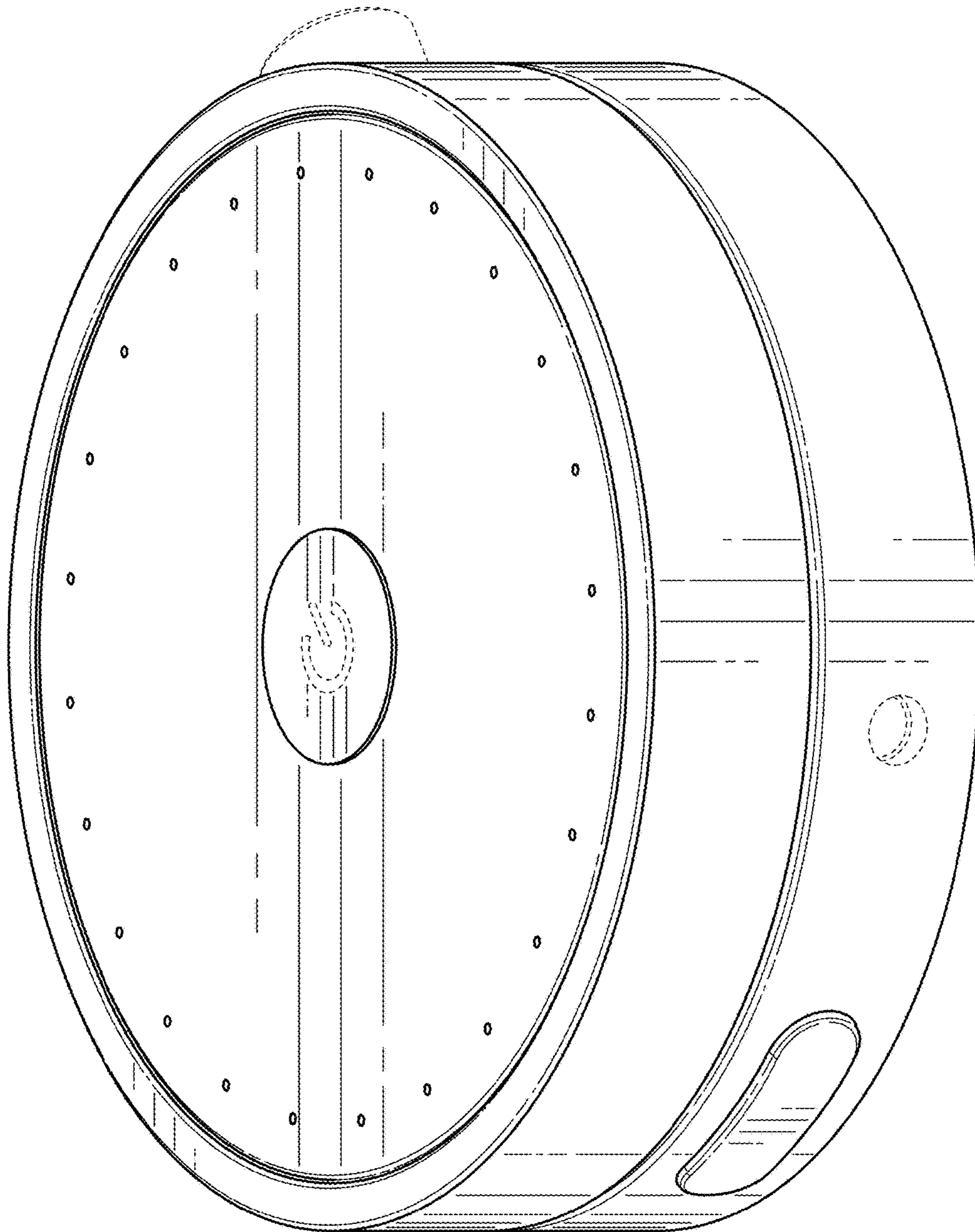


FIG. 1

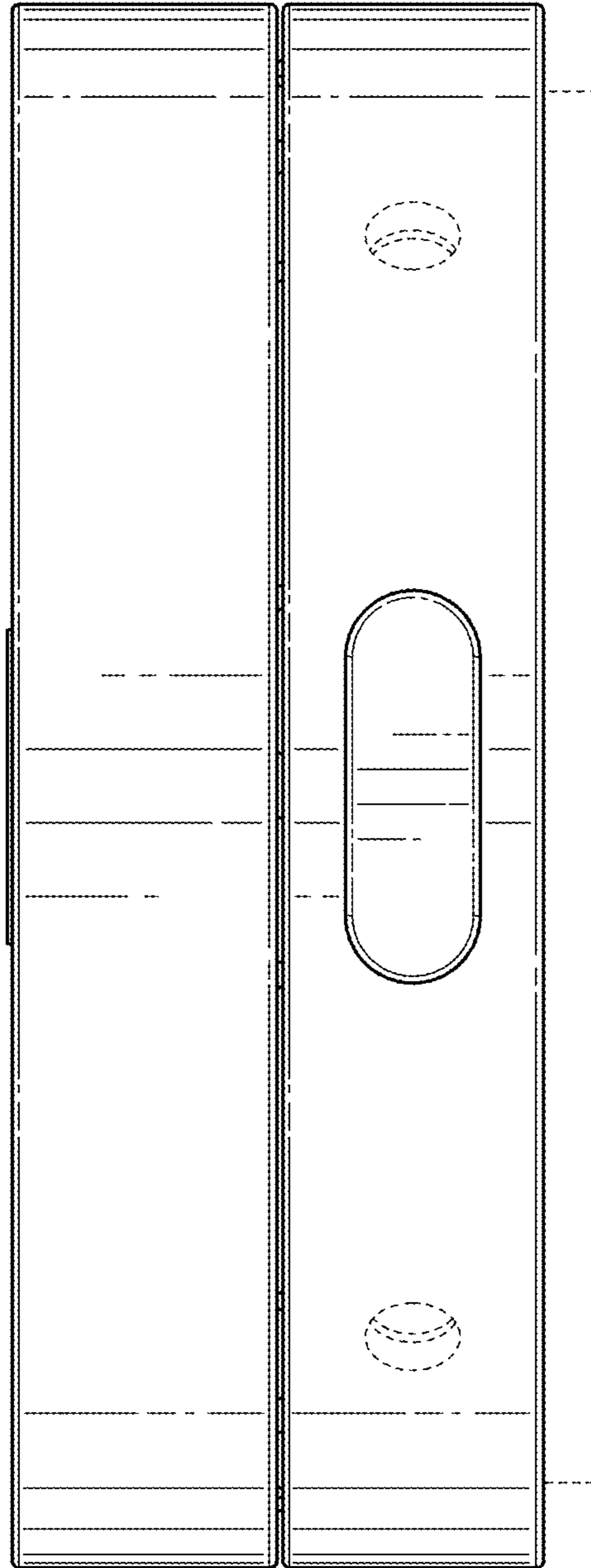


FIG. 2

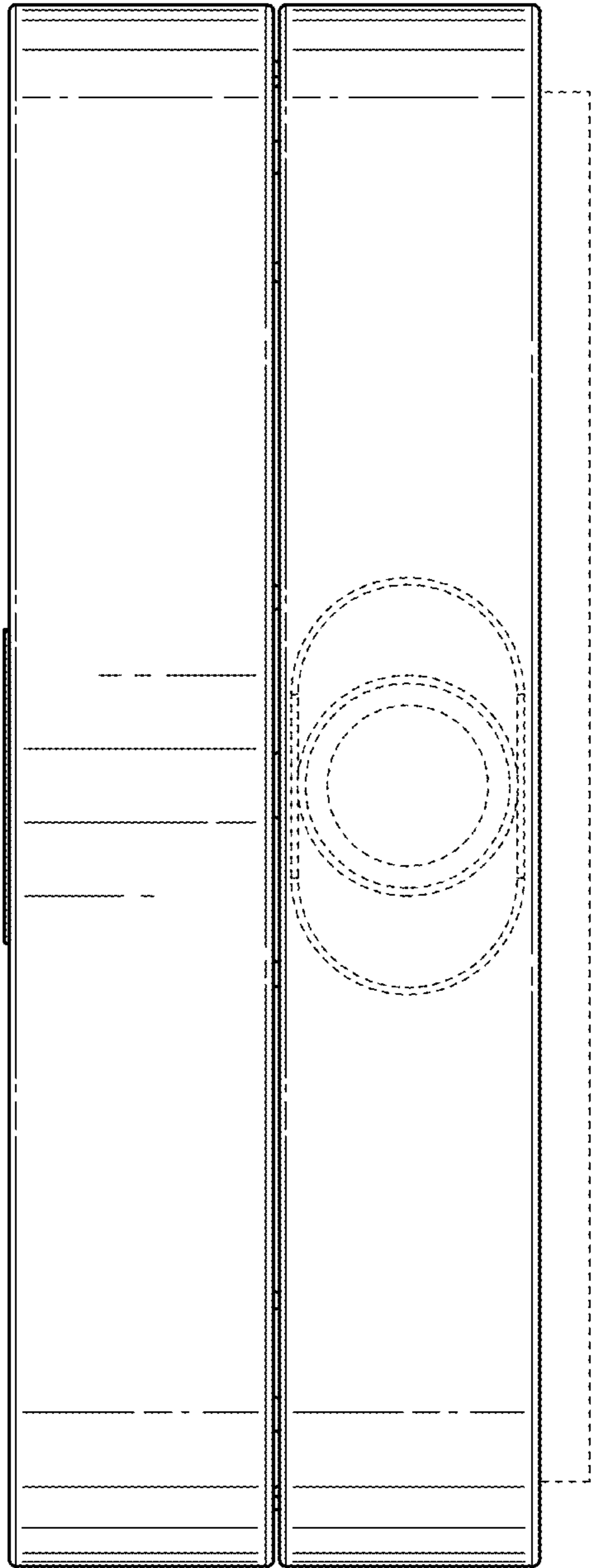


FIG. 3

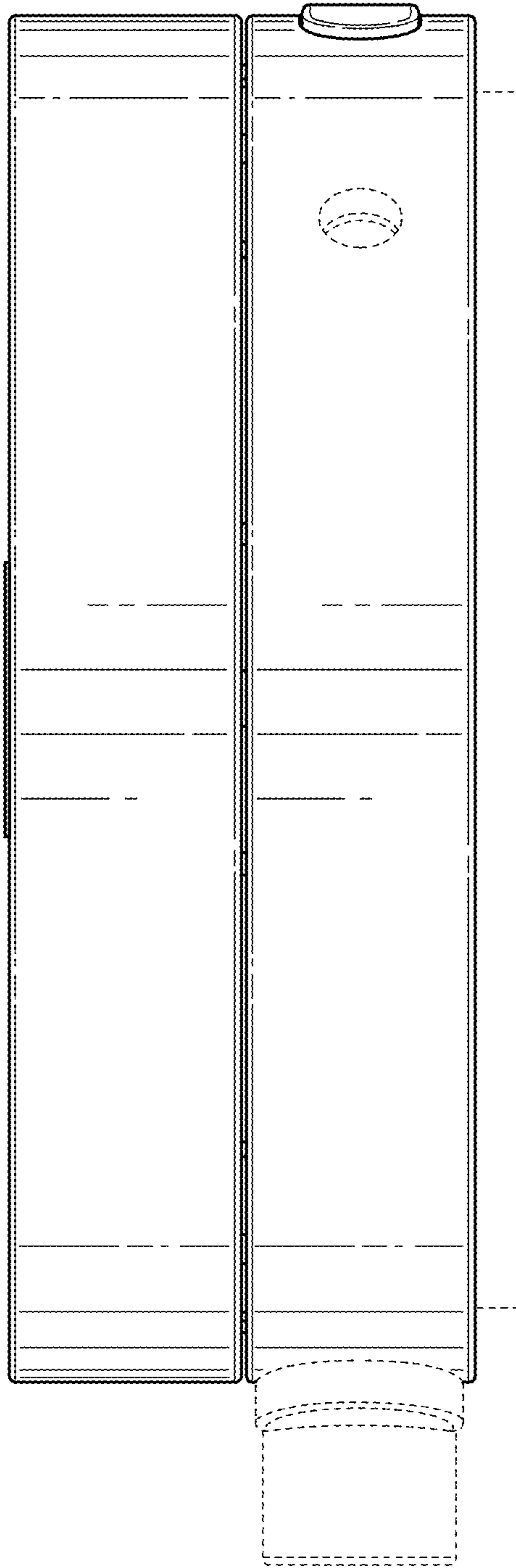


FIG. 4

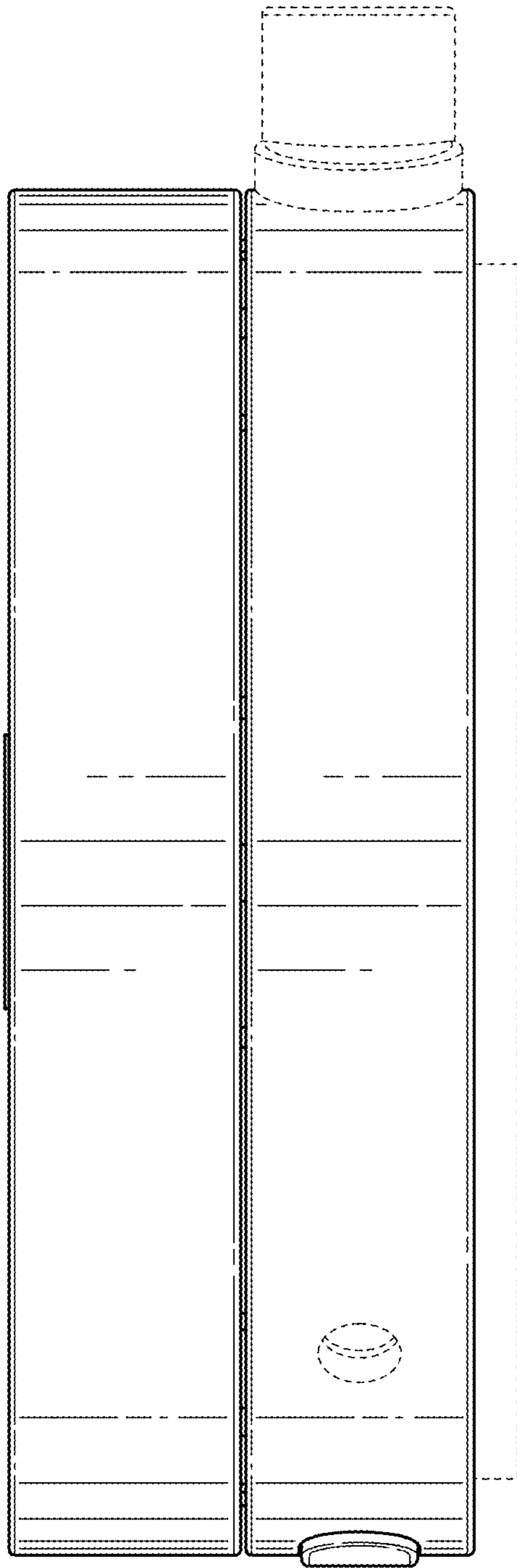


FIG. 5

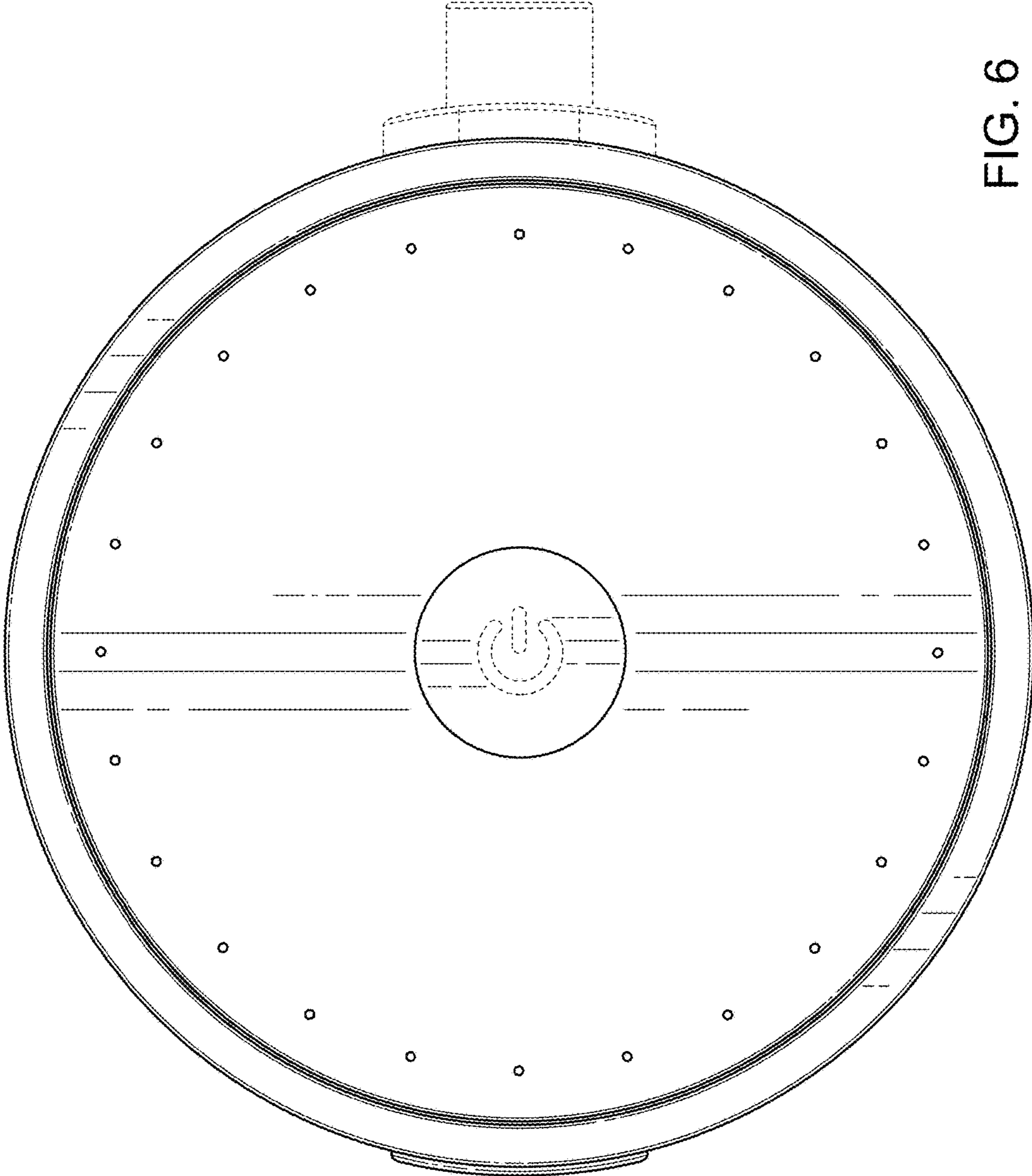


FIG. 6



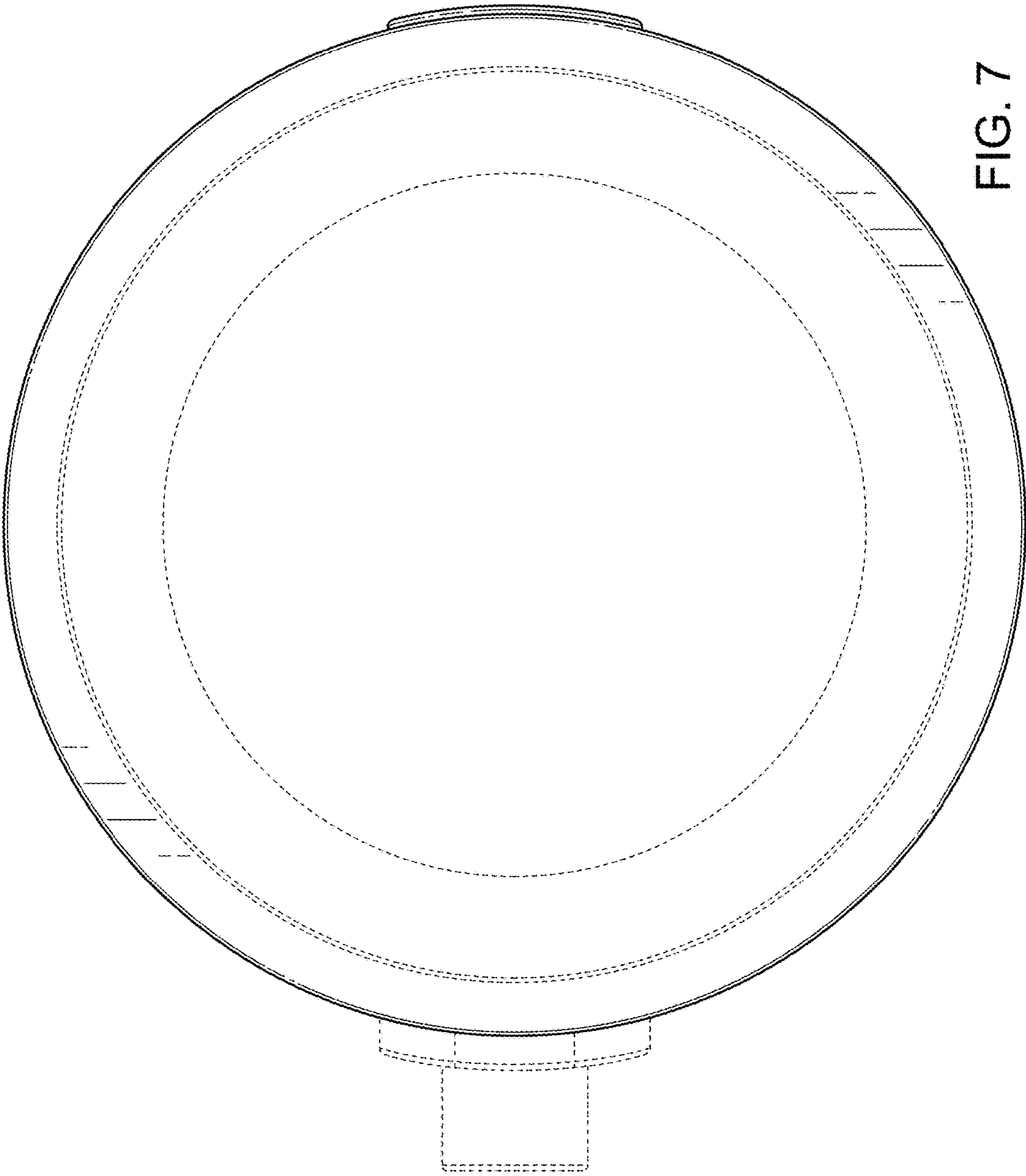


FIG. 7

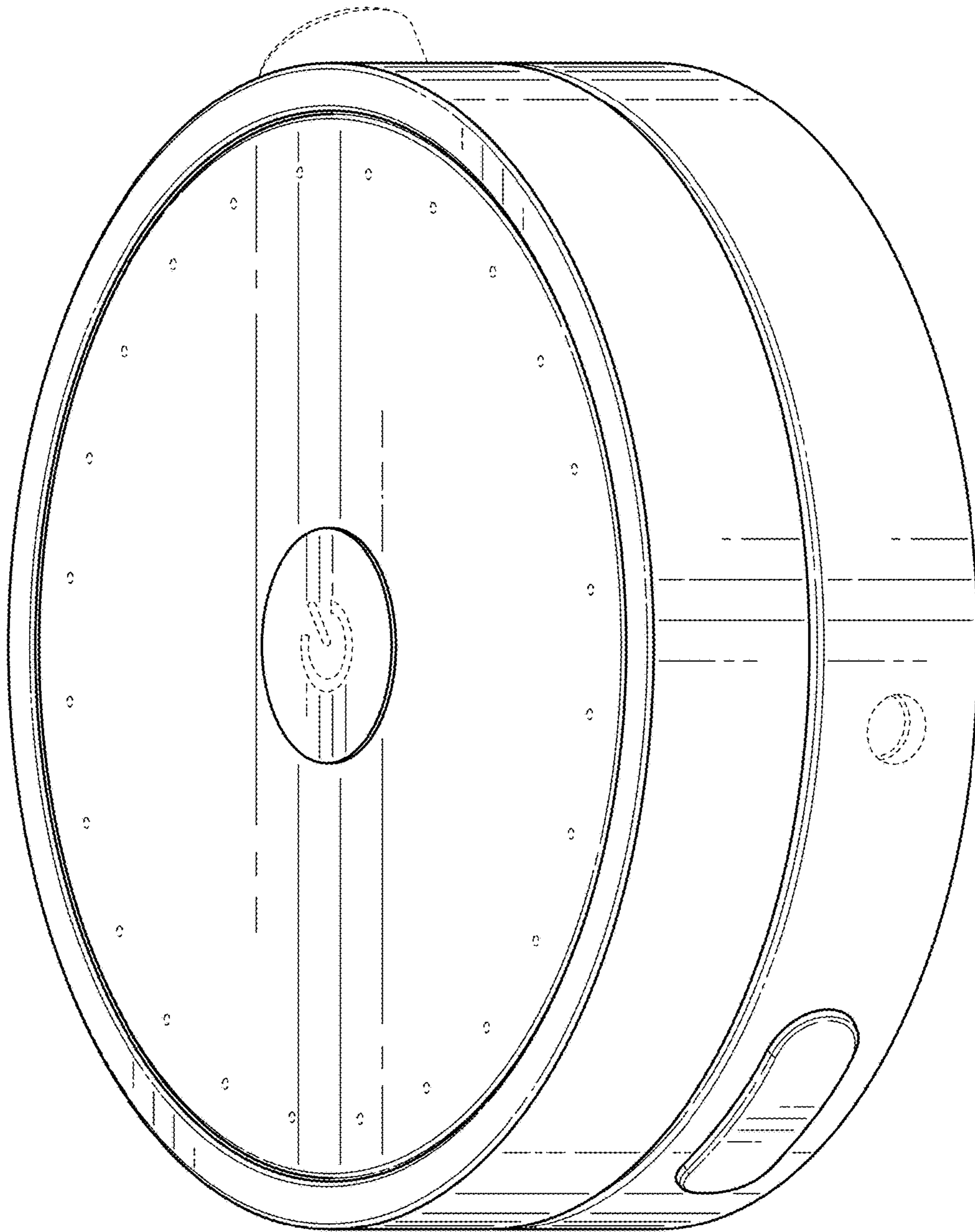


FIG. 8

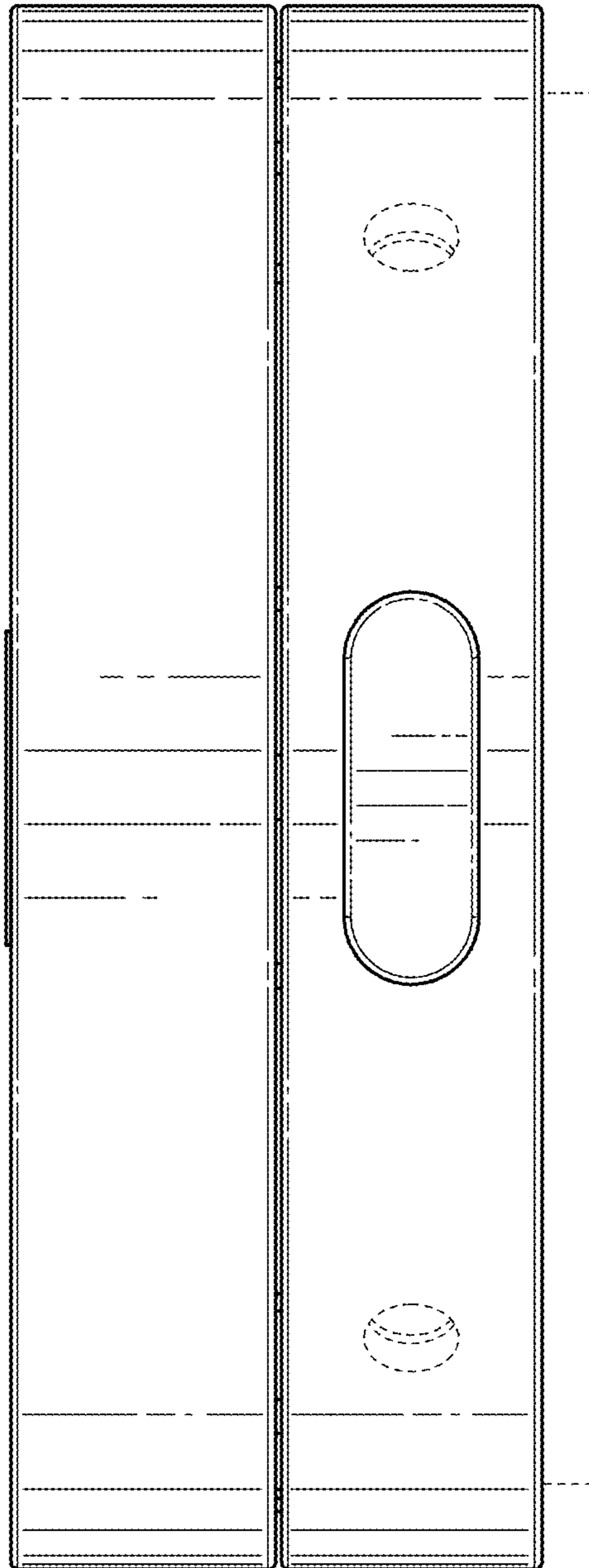


FIG. 9

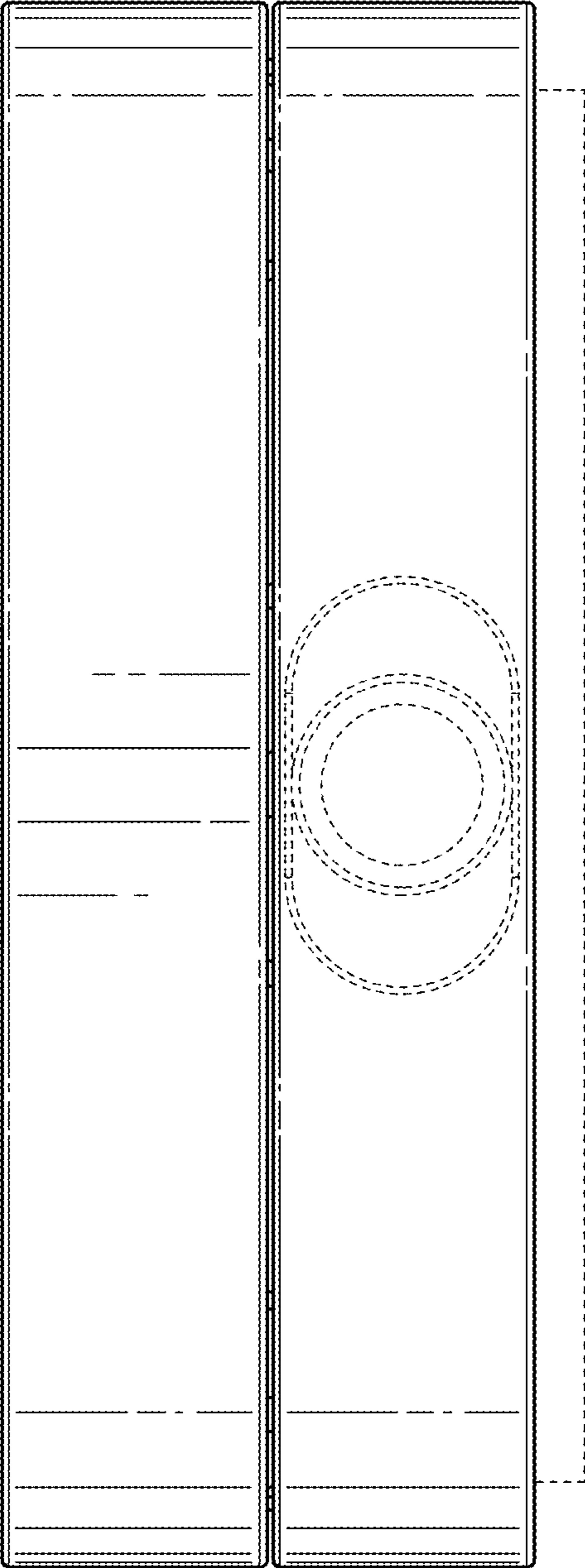


FIG. 10

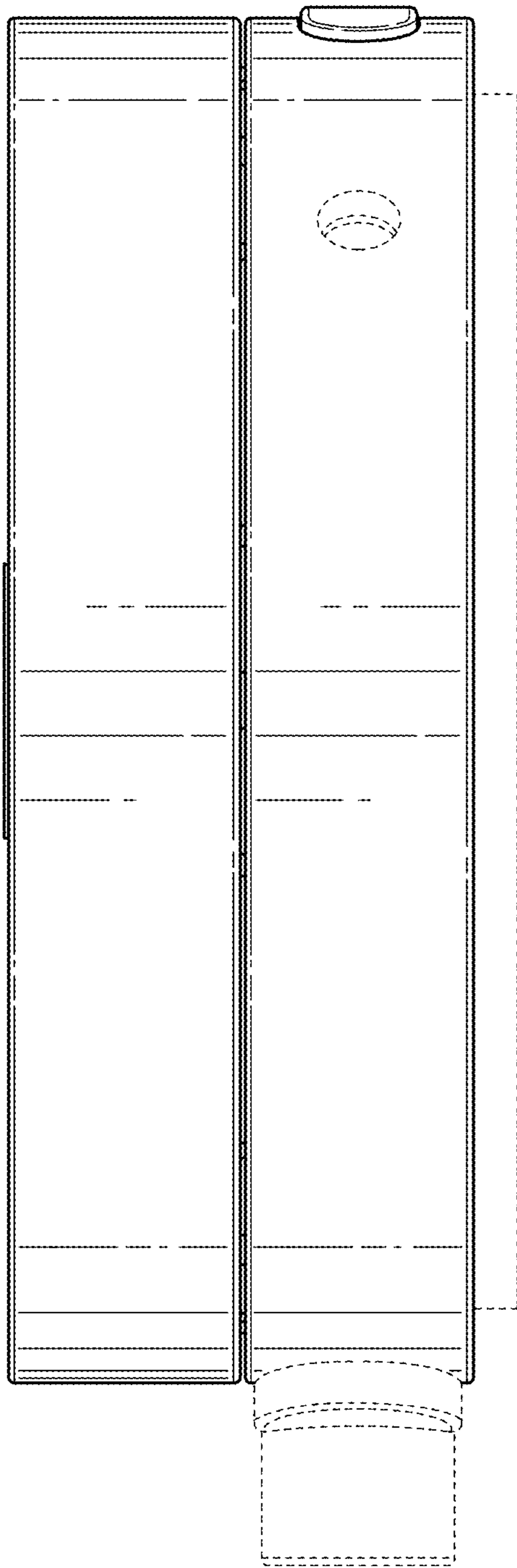


FIG. 11

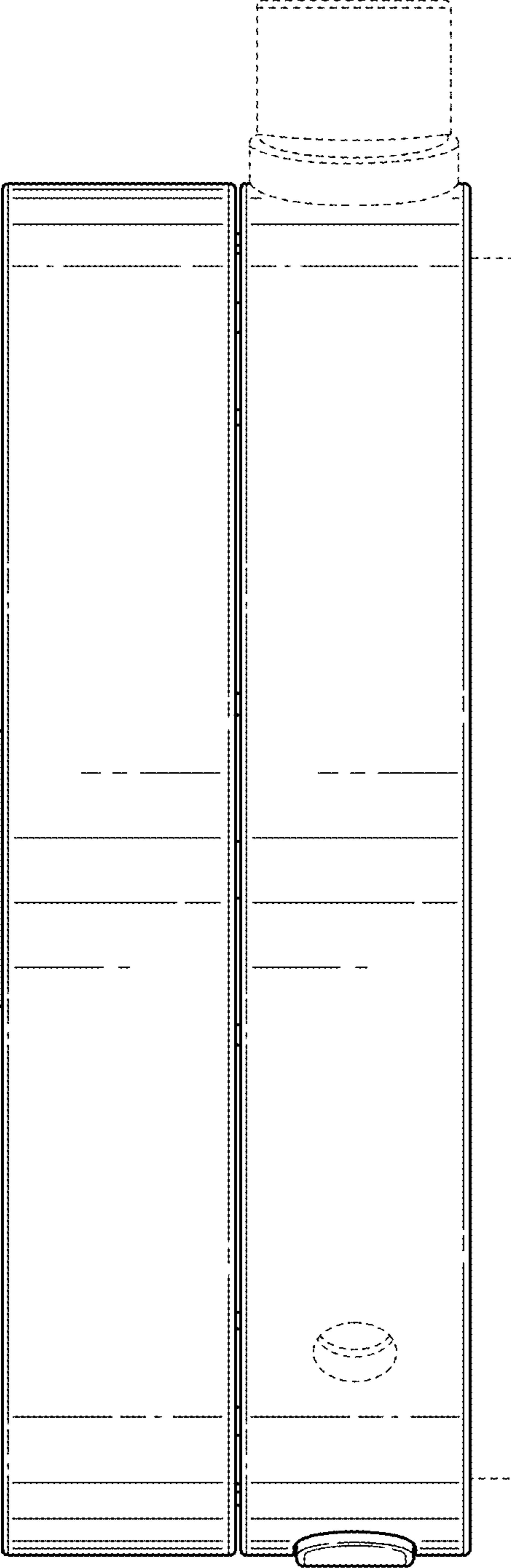


FIG. 12

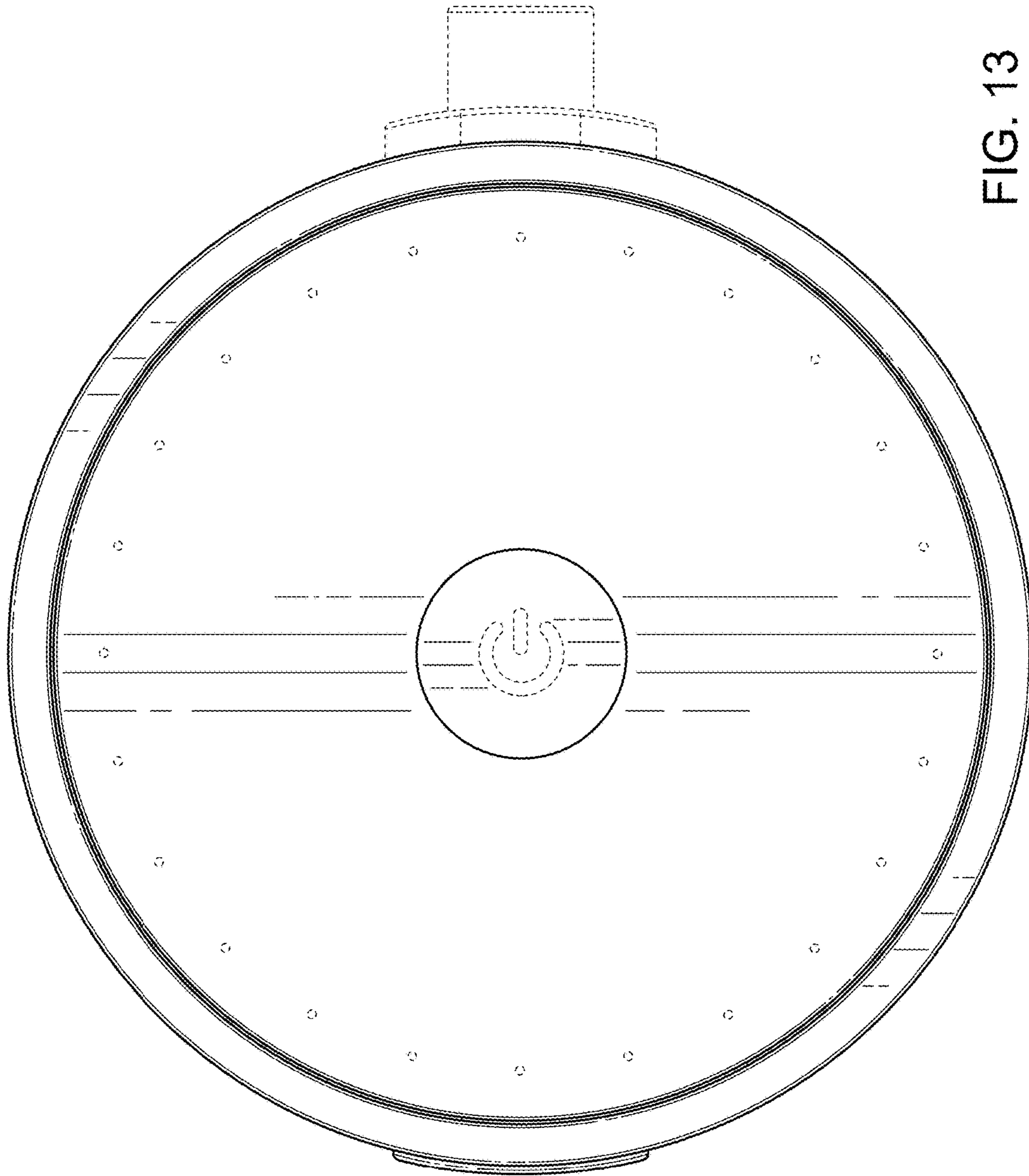


FIG. 13

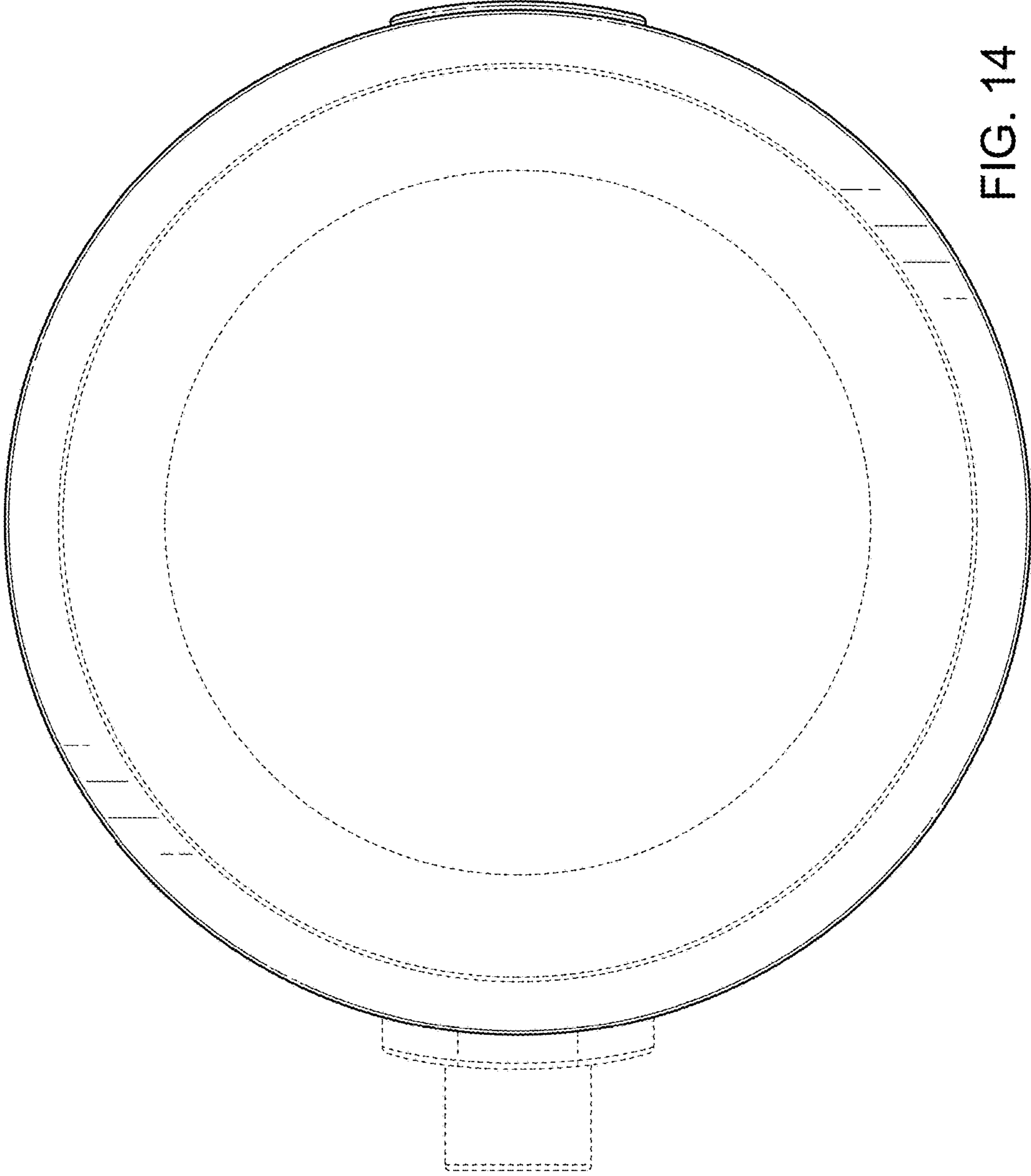


FIG. 14