



US00D829217S

(12) **United States Design Patent** (10) **Patent No.:** **US D829,217 S**  
**Scholler et al.** (45) **Date of Patent:** **\*\* Sep. 25, 2018**

(54) **DISPLAY POSITIONING DEVICE**

(74) *Attorney, Agent, or Firm* — Patent Law Works LLP

(71) Applicant: **Tangible Play, Inc.**, Palo Alto, CA (US)

(57) **CLAIM**

The ornamental design for a display positioning device, as shown and described.

(72) Inventors: **Jerome Scholler**, San Francisco, CA (US); **Ariel Zekelman**, Palo Alto, CA (US); **Andrew Berwald**, Palo Alto, CA (US); **Mark Solomon**, Palo Alto, CA (US)

**DESCRIPTION**

(73) Assignee: **Tangible Play, Inc.**, Palo Alto, CA (US)

FIG. 1 is a top perspective view of a display positioning device showing the new design according to a first embodiment in which the display positioning device is in a closed position.

(\*\*) Term: **15 Years**

FIG. 2 is a bottom, front perspective view thereof.

(21) Appl. No.: **29/615,734**

FIG. 3 is a bottom, rear perspective view thereof.

(22) Filed: **Aug. 30, 2017**

FIG. 4 is a top view thereof.

(51) **LOC (11) Cl.** ..... **08-07**

FIG. 5 is a bottom view thereof.

(52) **U.S. Cl.**

FIG. 6 is a left side view thereof (a right side view being a mirror image of the left side view).

USPC ..... **D14/447**

FIG. 7 is a front view thereof.

(58) **Field of Classification Search**

FIG. 8 is a rear view thereof.

USPC ..... D14/447, 432, 434, 439, 440, 451, 452, D14/457, 239; D8/363, 373, 380; D6/406.3, 406.4, 406.5, 406.6; D12/415

FIG. 9 is a top, front perspective view of a display positioning device showing the new design according to a second embodiment in which the display positioning device is in an open position.

CPC ..... A47B 21/04; A47B 2097/006; A47B 2097/005; A47B 2023/049; A45C 2011/002; A45C 2011/003; F16M 2200/00; F16M 13/00

FIG. 10 is a top, front perspective view of the display positioning device according to the second embodiment in which, for context, broken lines are included to illustrate the display positioning device positioning an electronic display.

See application file for complete search history.

FIG. 11 is a top, rear perspective view of the display positioning device according to the second embodiment.

(56) **References Cited**

FIG. 12 is a bottom perspective view thereof.

**U.S. PATENT DOCUMENTS**

FIG. 13 is a top view thereof.

D575,546 S *	8/2008	Tsay	.....	D14/457
D644,230 S *	8/2011	Lin	.....	D14/447
D665,812 S *	8/2012	Huang	.....	D14/447
D667,012 S *	9/2012	Chen	.....	D14/447
D697,514 S *	1/2014	Davis	.....	D14/447

FIG. 14 is a bottom view thereof.

(Continued)

FIG. 15 is a left side view thereof (a right side view being a mirror image of the left side view).

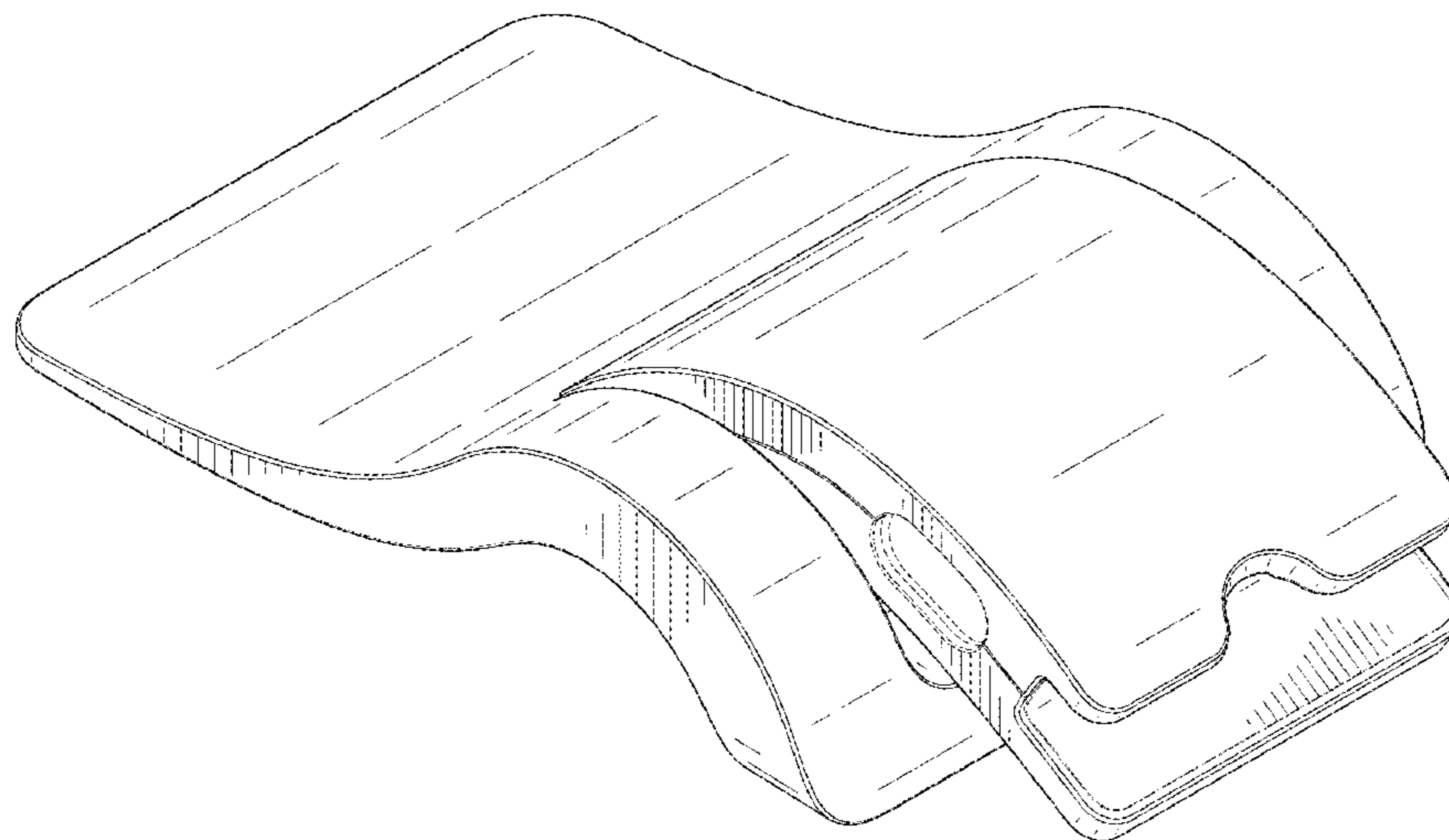
*Primary Examiner* — Angela J Lee

FIG. 16 is a front view thereof; and,

**1 Claim, 16 Drawing Sheets**

FIG. 17 is a rear view thereof.

Within the drawings, the broken lines show unclaimed portions of the display positioning device, and form no part of the claimed design.



(56)

**References Cited**

U.S. PATENT DOCUMENTS

D703,214 S	*	4/2014	Lye .....	D14/447
D703,677 S	*	4/2014	Bigazzi .....	D14/447
D715,804 S	*	10/2014	Frenzel .....	D14/447
D754,135 S	*	4/2016	Cromack .....	D14/447
D779,478 S	*	2/2017	Justiss .....	D14/253
D781,865 S	*	3/2017	Hsu .....	D14/447
D783,627 S	*	4/2017	Hsu .....	D14/447
D784,355 S	*	4/2017	Hsu .....	D14/447

\* cited by examiner

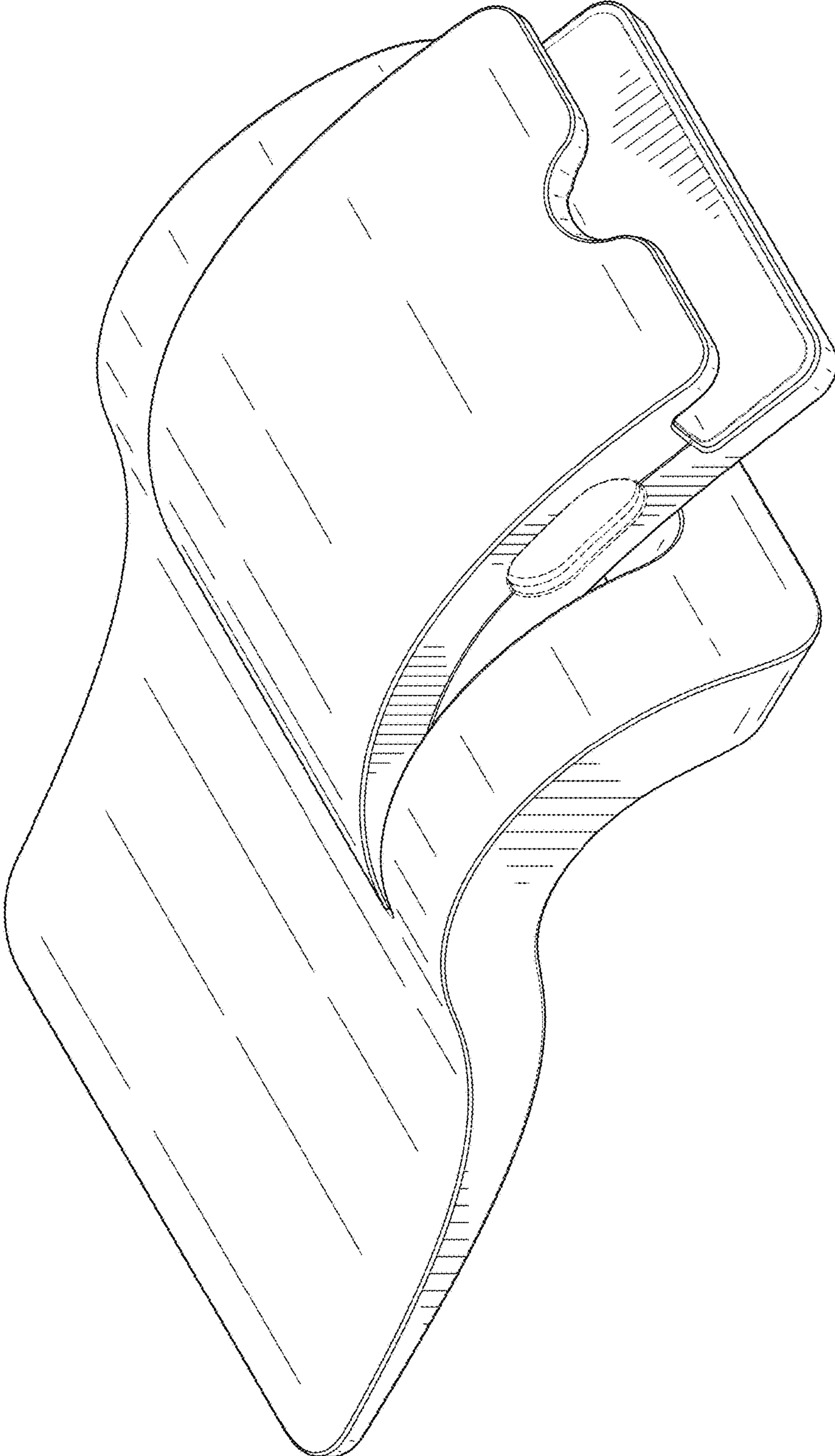


FIG. 1

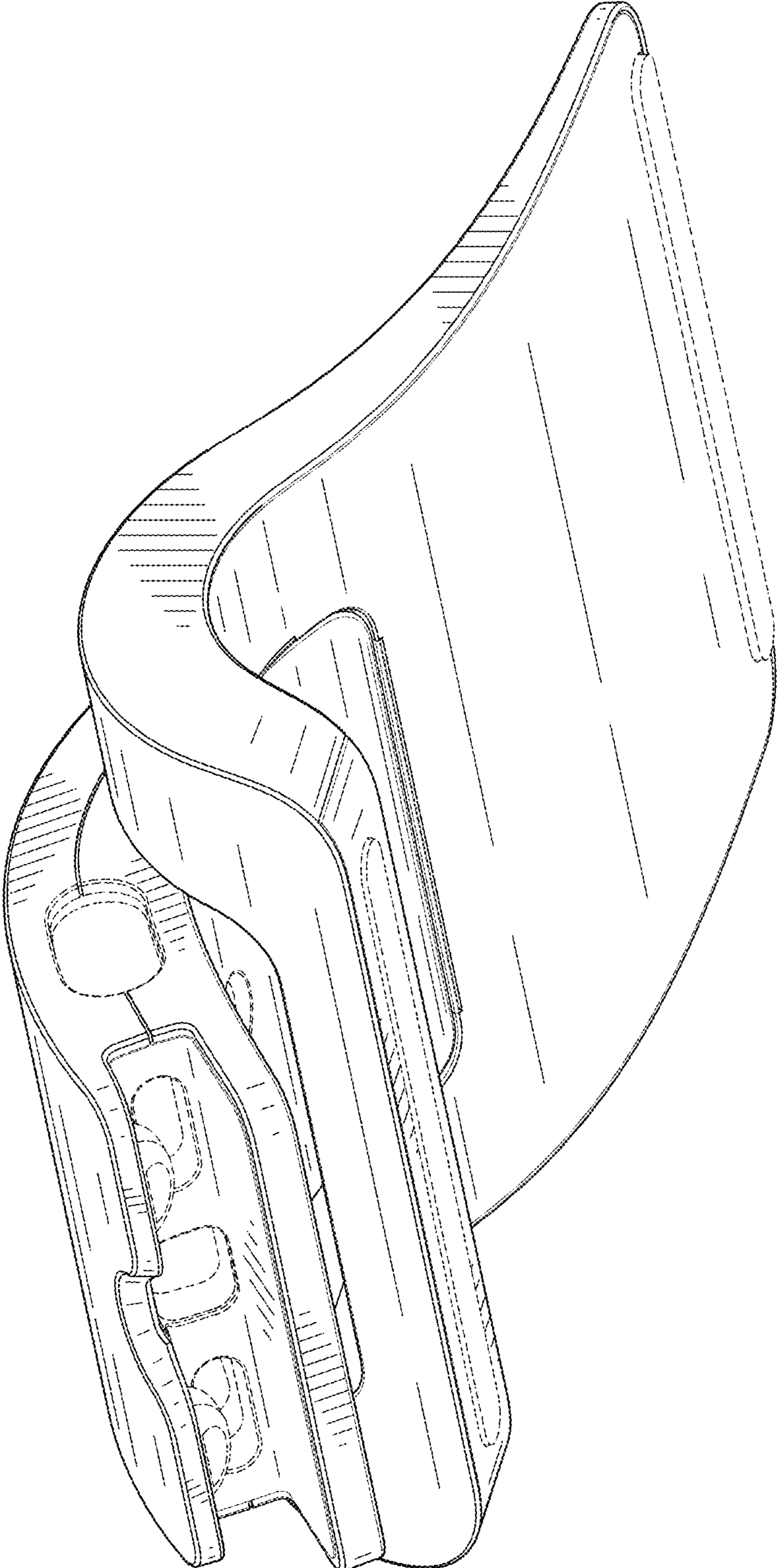


FIG. 2

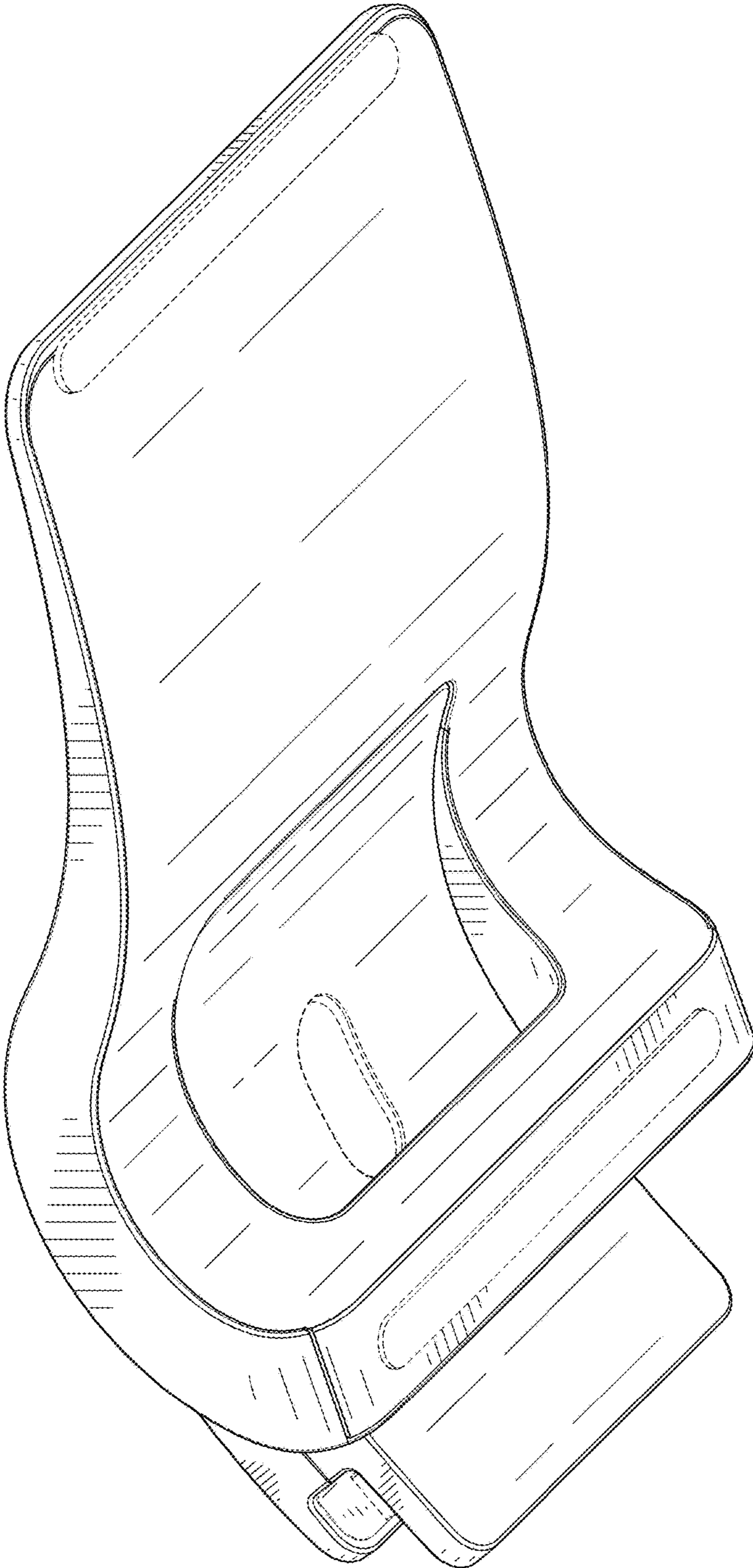


FIG. 3

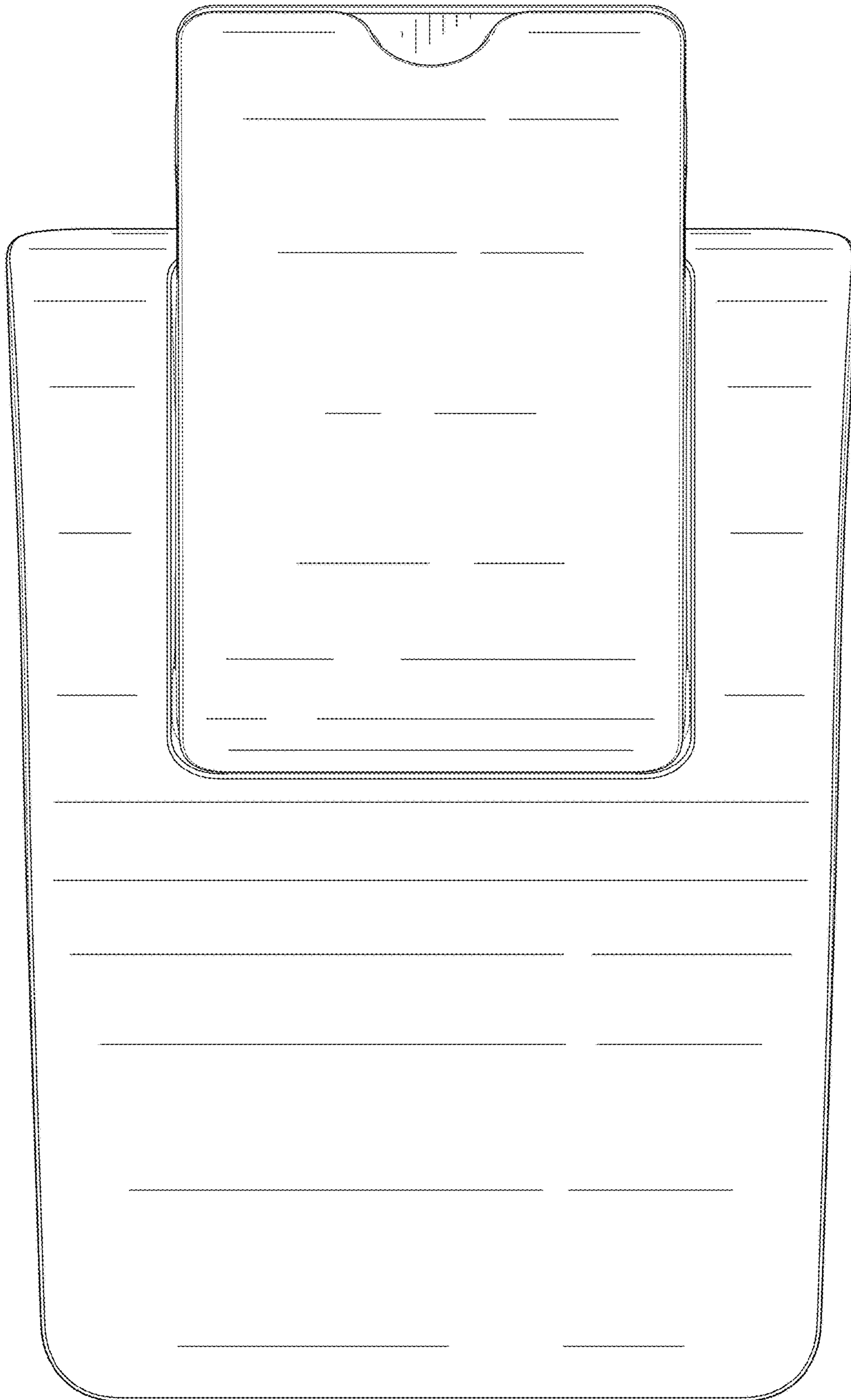


FIG. 4

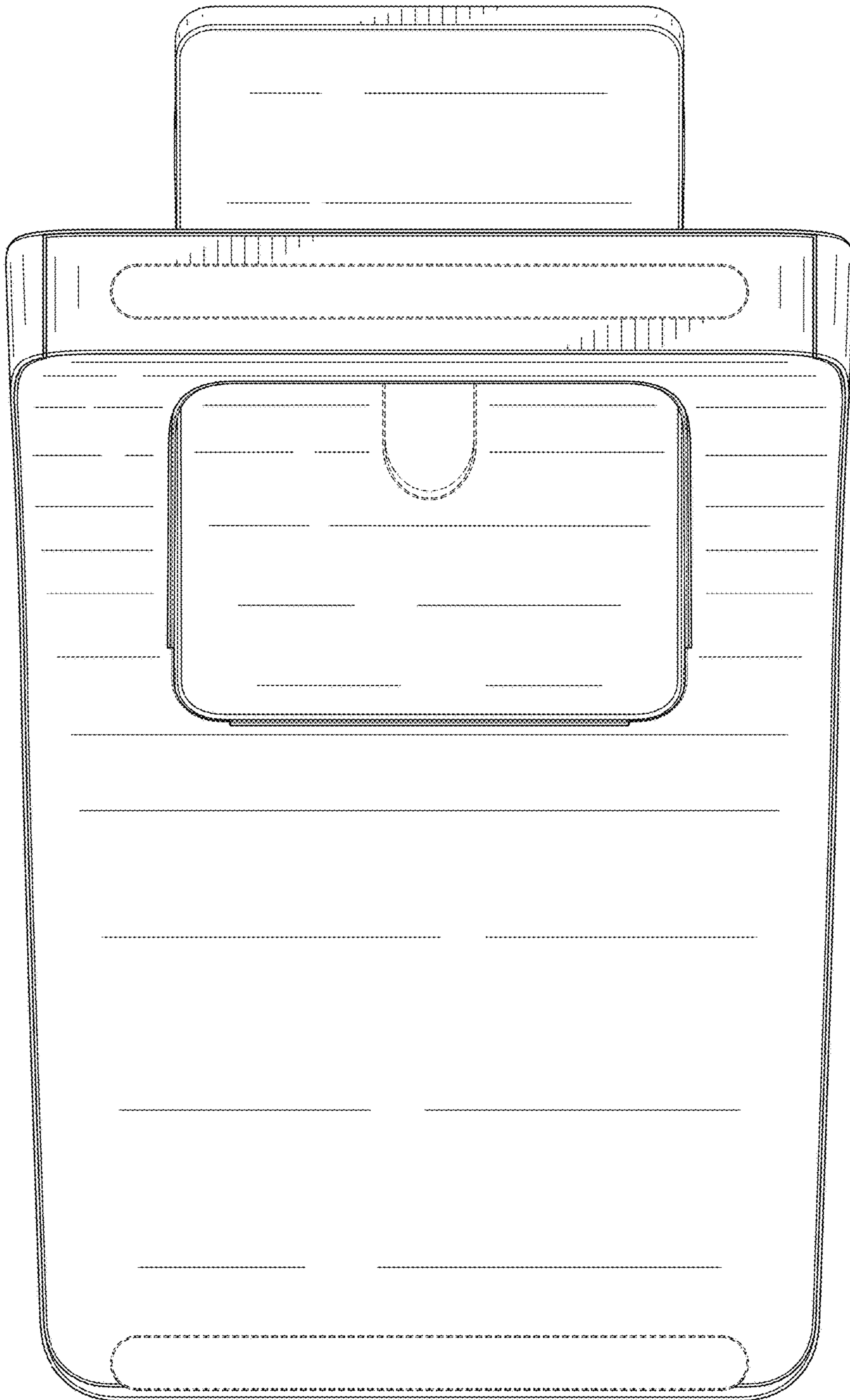


FIG. 5

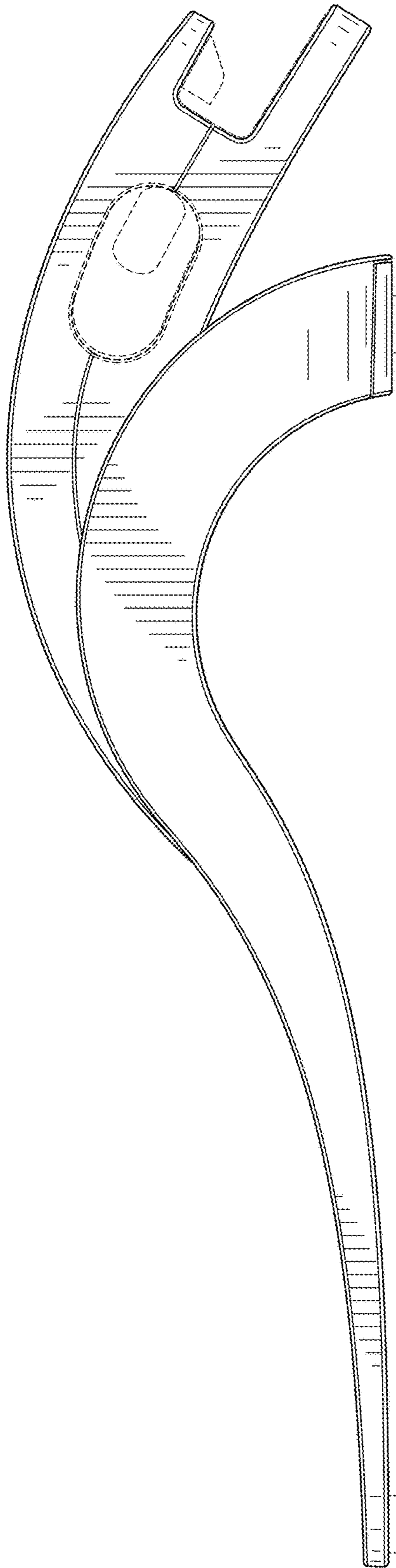


FIG. 6



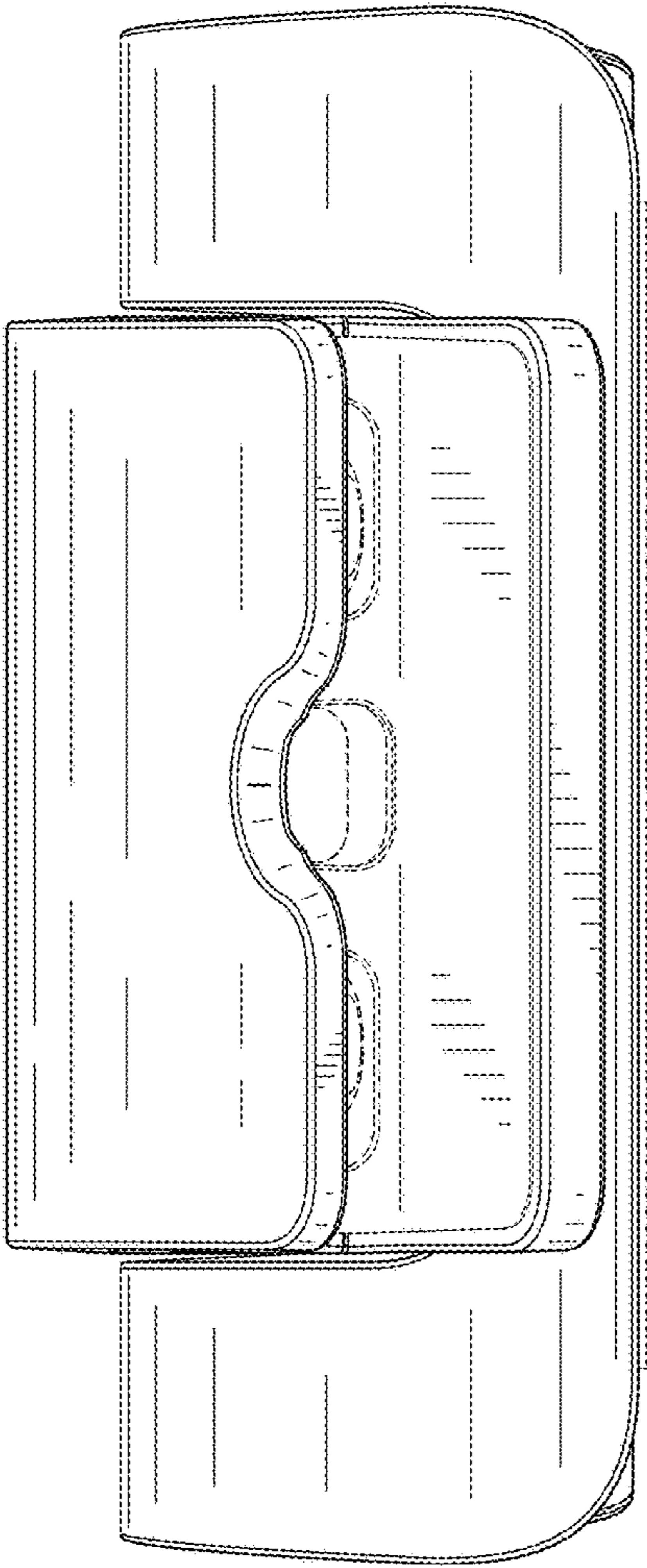


FIG. 7

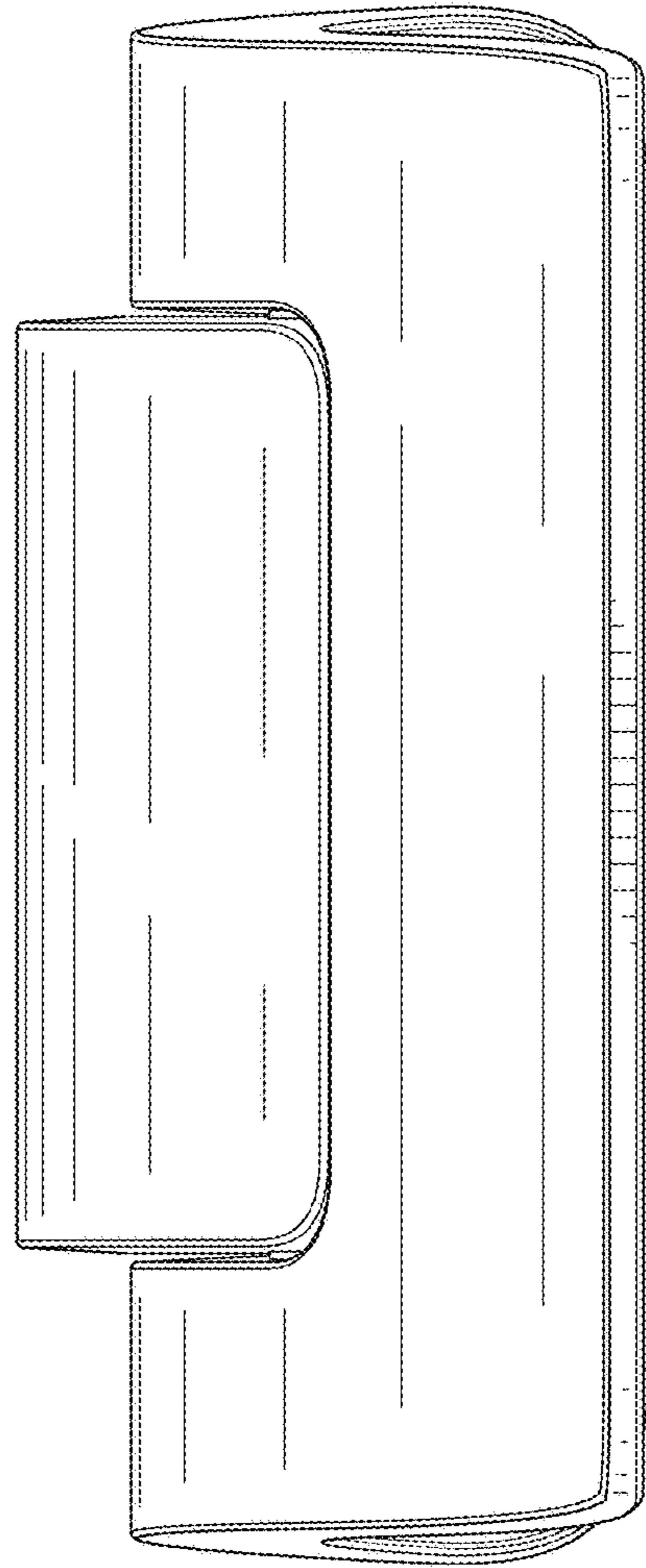


FIG. 8

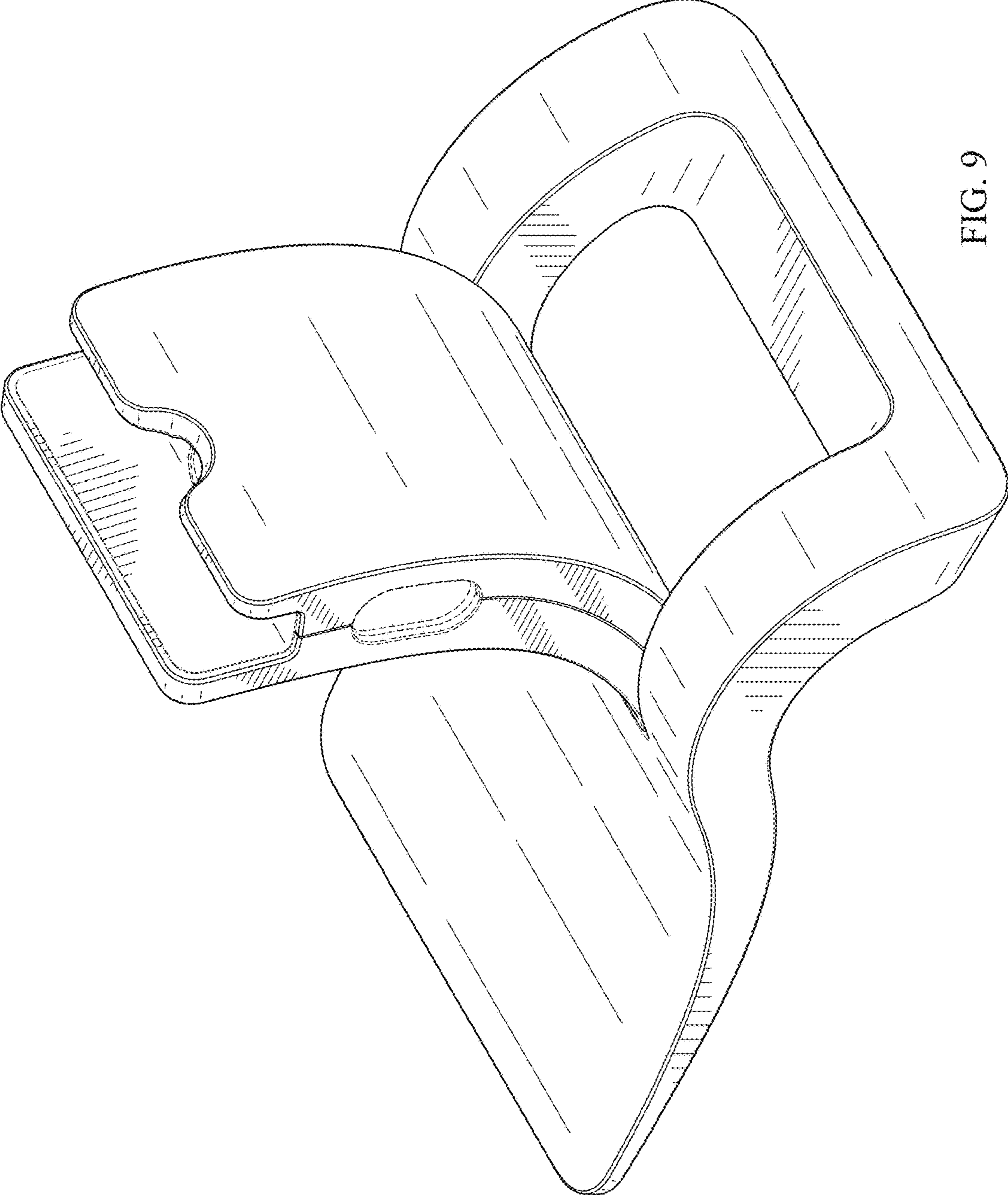


FIG. 9

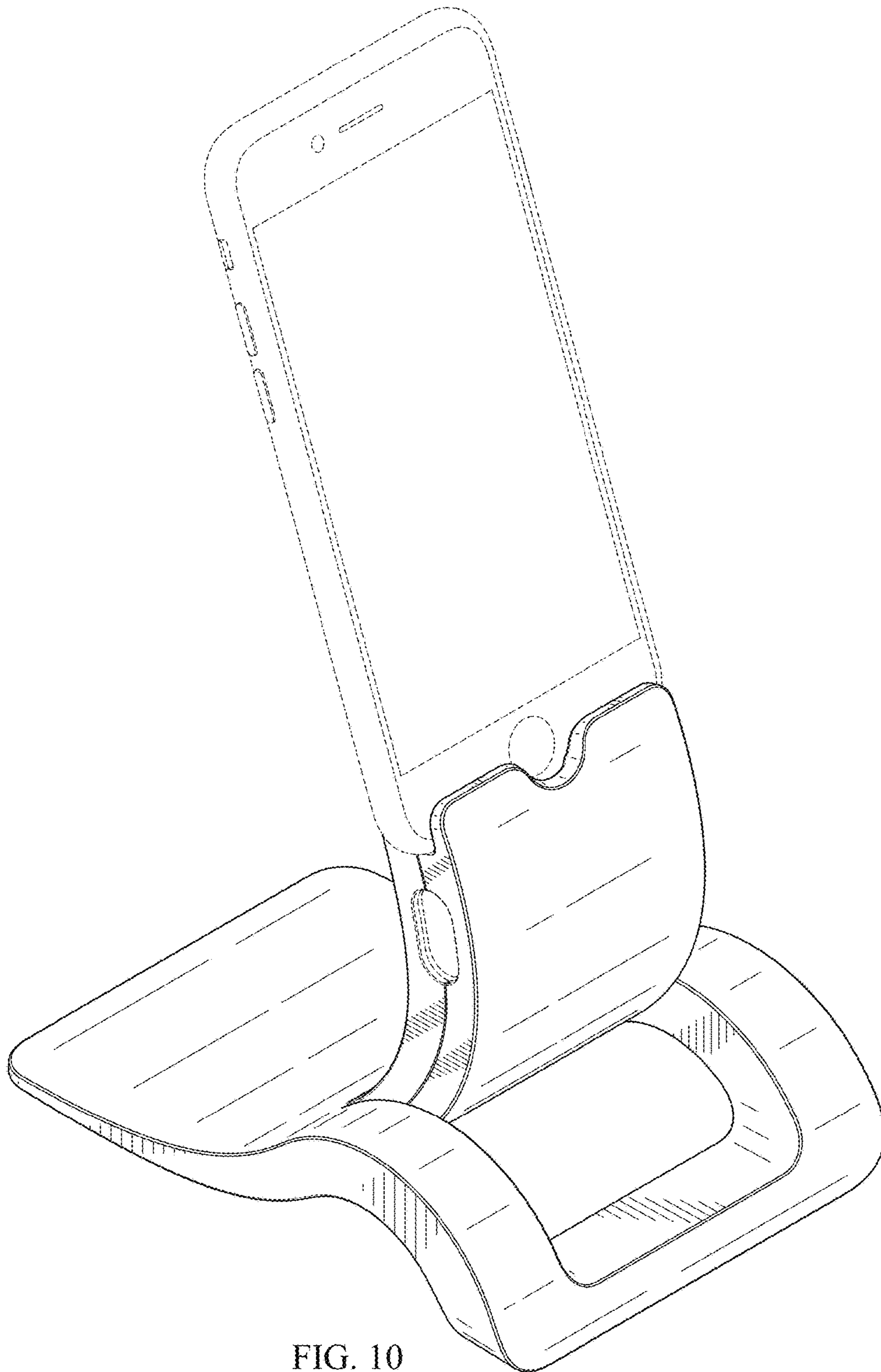


FIG. 10

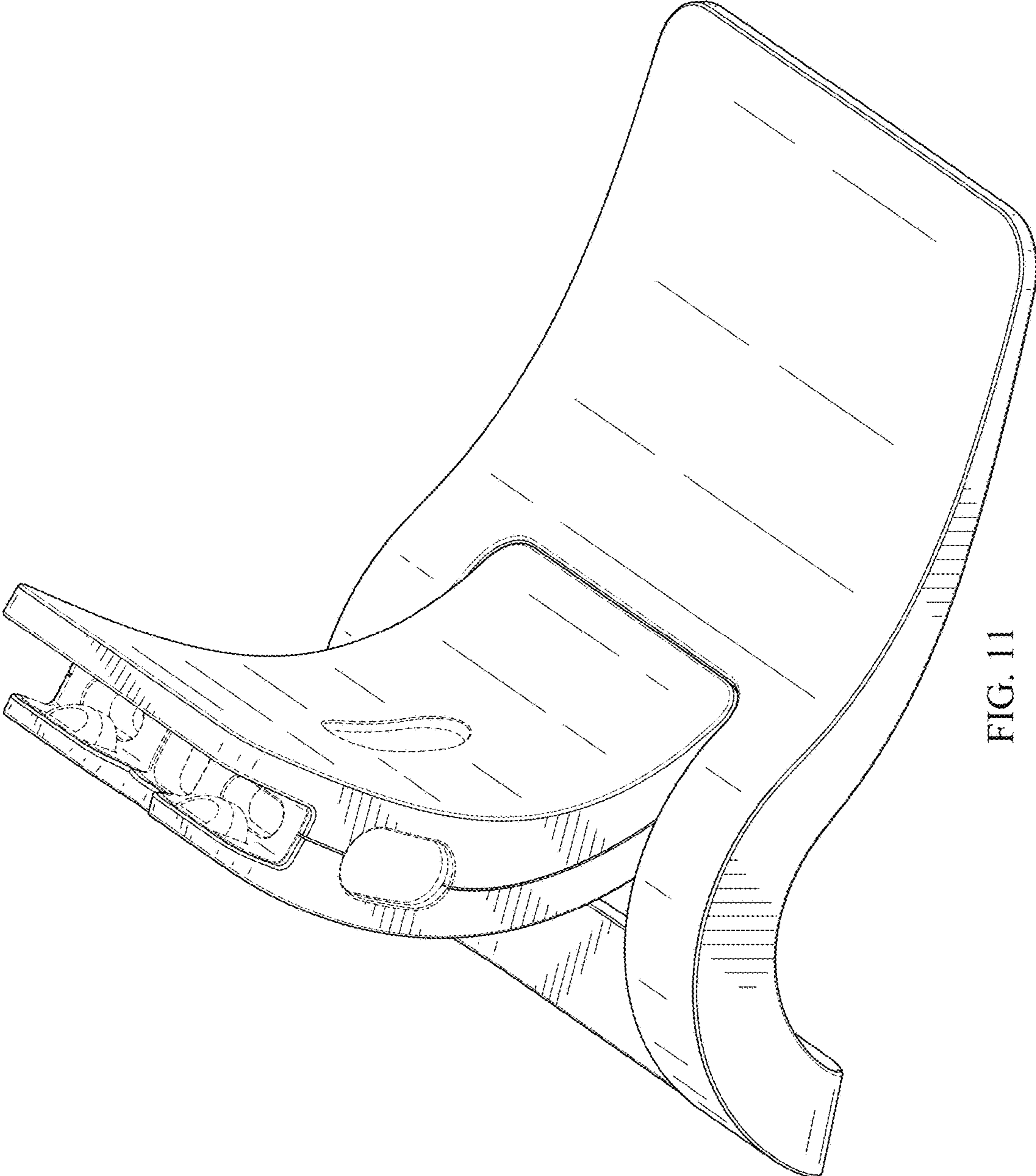


FIG. 11

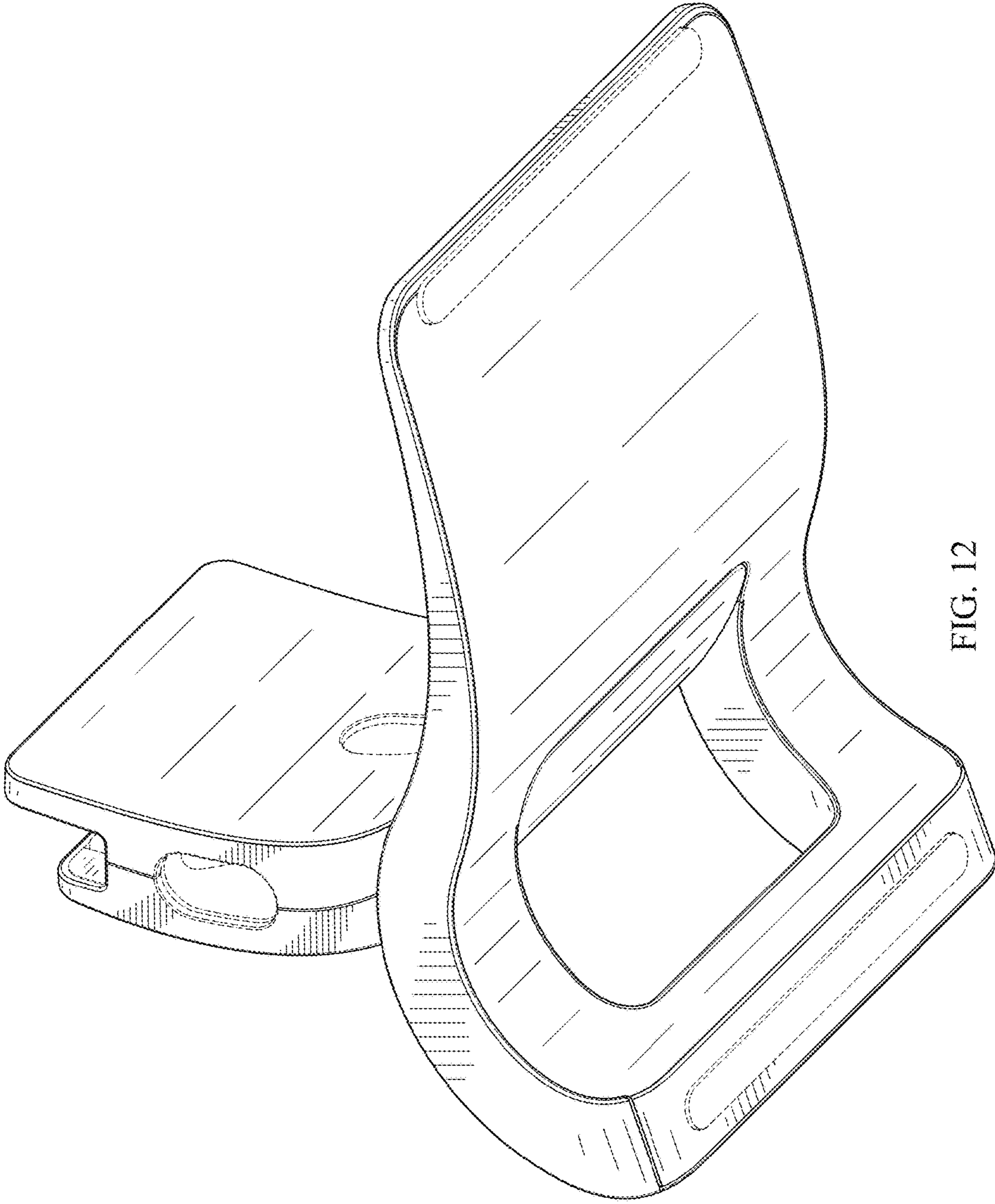


FIG. 12

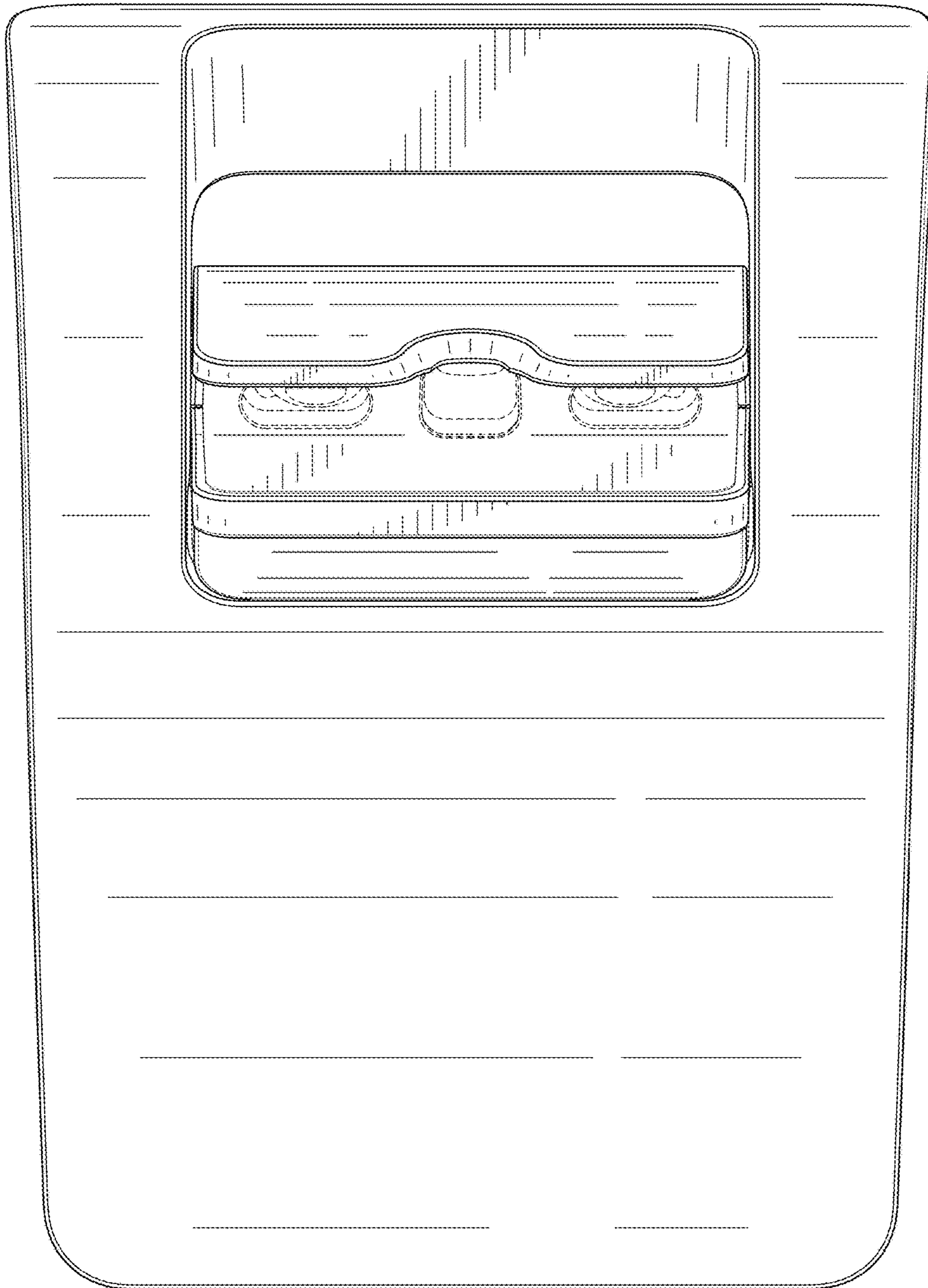


FIG. 13

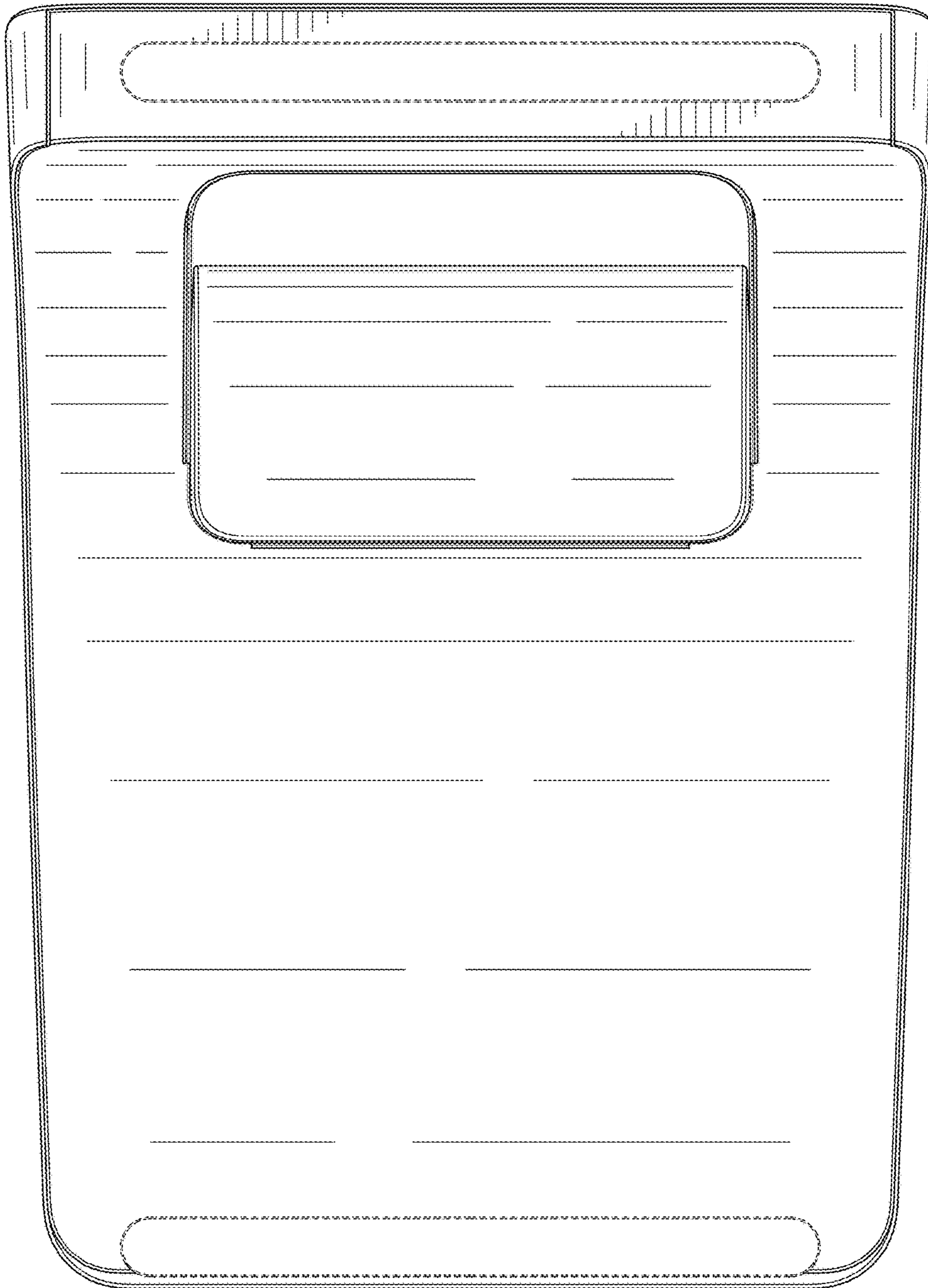


FIG. 14

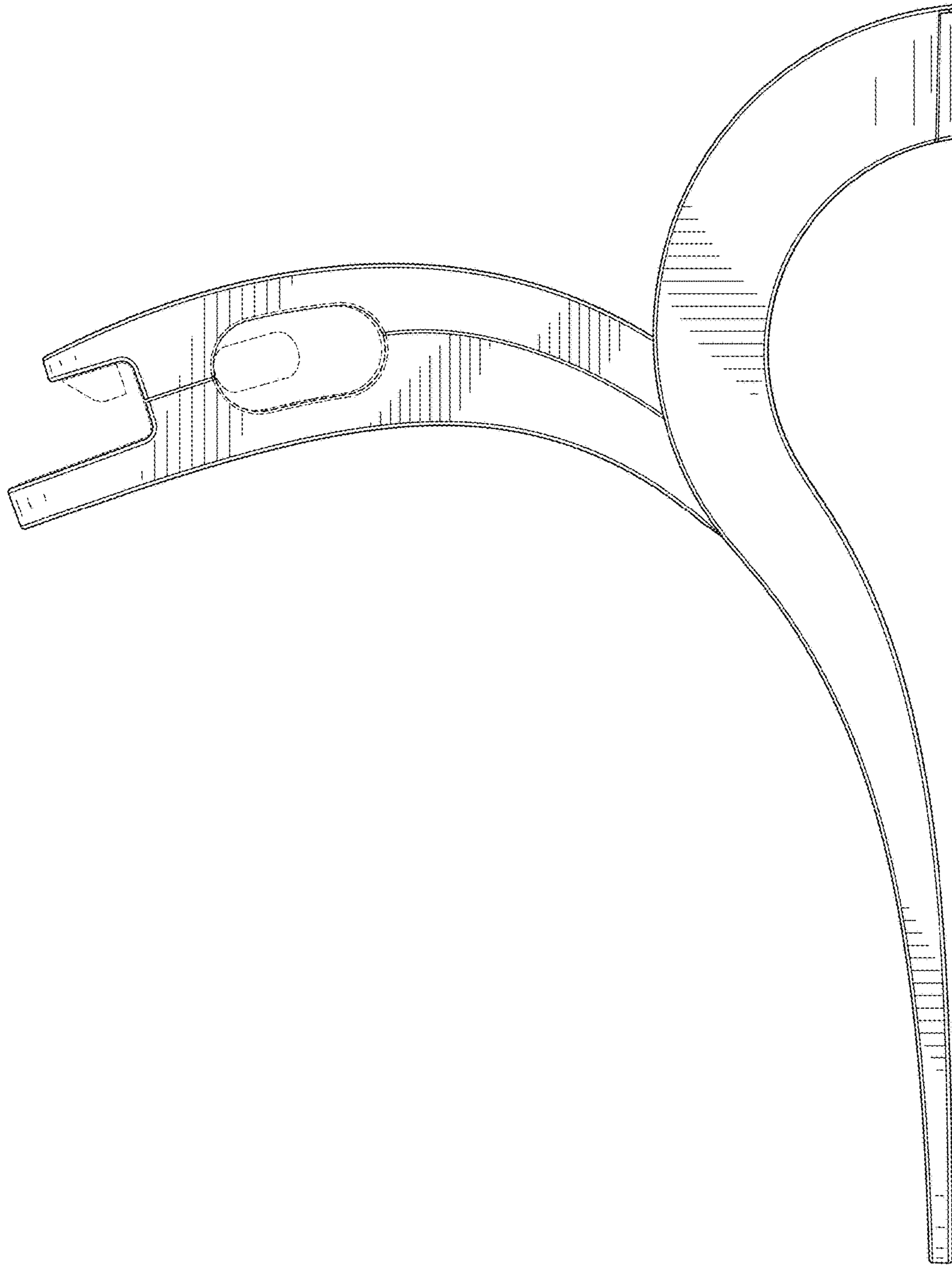


FIG. 15



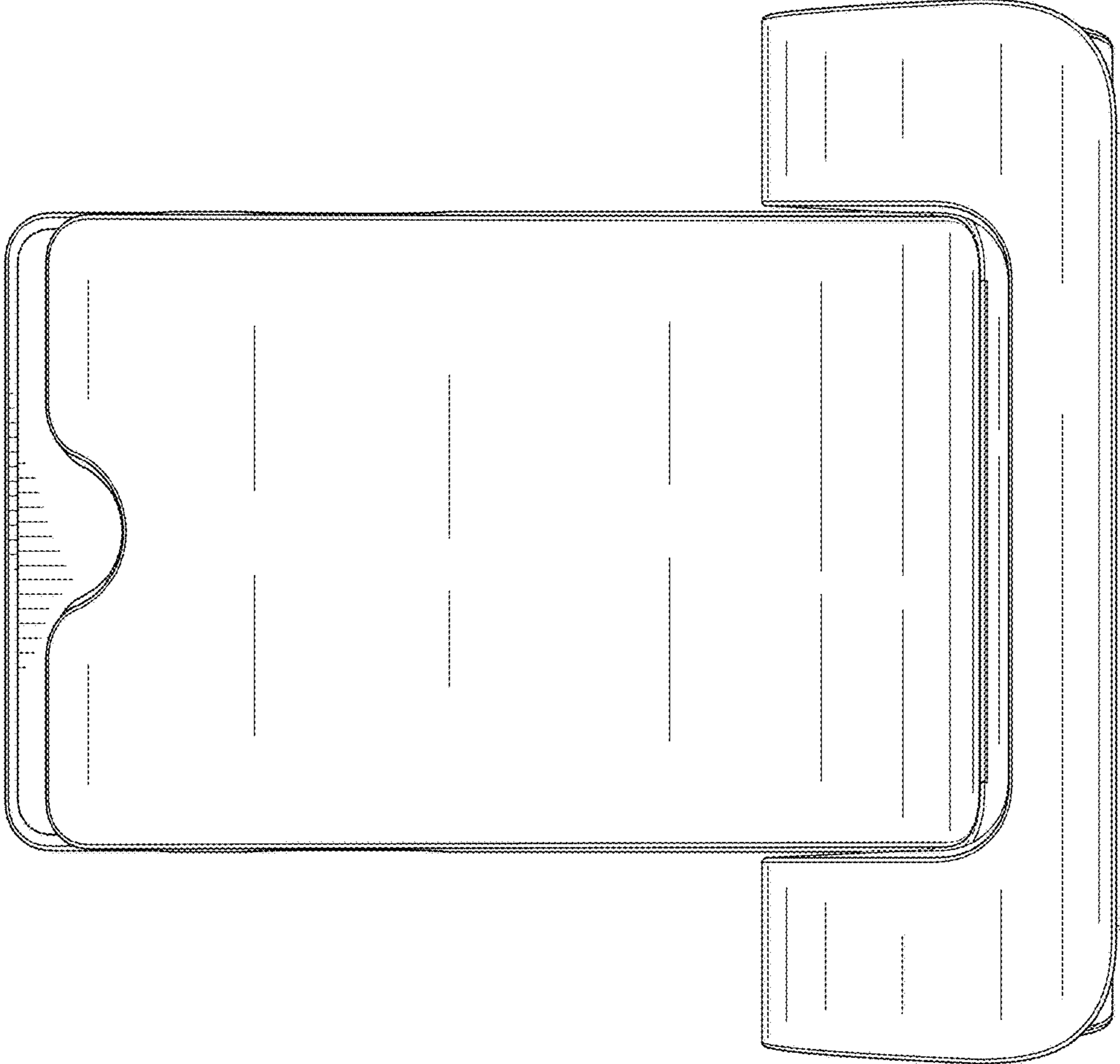


FIG. 16

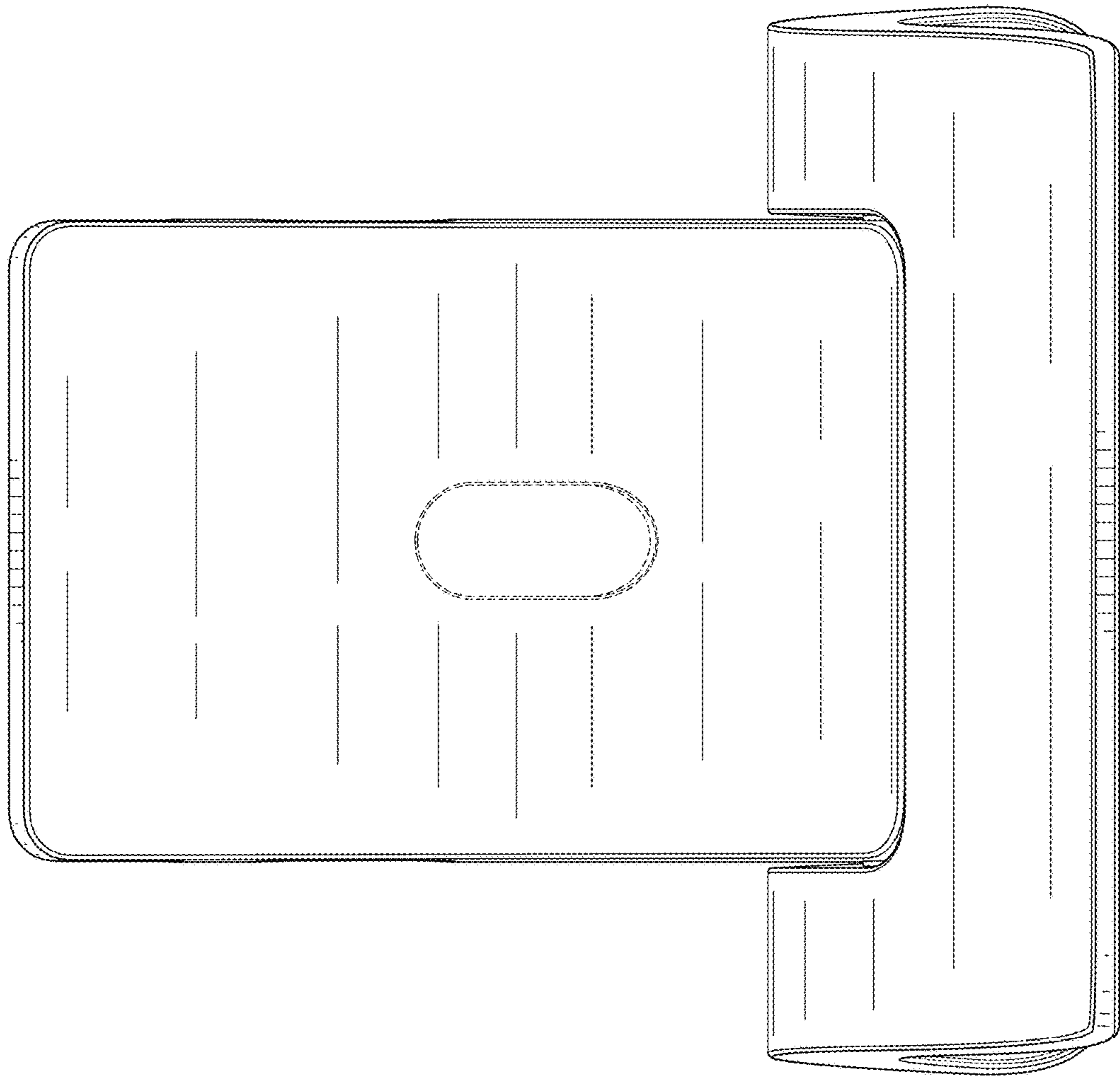


FIG. 17