



US00D829216S

(12) **United States Design Patent** (10) **Patent No.:** **US D829,216 S**  
**Belitz et al.** (45) **Date of Patent:** **\*\* Sep. 25, 2018**

(54) **LAPTOP STAND**

(71) Applicant: **Swift Distribution, LLC**, Loveland, CO (US)

(72) Inventors: **Michael J. Belitz**, Cherry Hills Village, CO (US); **Luke A. Smith**, Loveland, CO (US)

(\*\*) Term: **15 Years**

(21) Appl. No.: **29/591,176**

(22) Filed: **Jan. 17, 2017**

(51) **LOC (11) Cl.** ..... **08-07**

(52) **U.S. Cl.**  
USPC ..... **D14/447**

(58) **Field of Classification Search**  
USPC ..... D14/447, 432, 434, 439, 440, 451, 452, D14/457, 239; D8/363, 373, 380; D6/406.3, 406.4, 406.5, 406.6; D12/415  
CPC ..... A47B 21/04; A47B 2097/006; A47B 2097/005; A47B 2023/049; A45C 2011/002; A45C 2011/003; F16M 2200/00; F16M 13/00  
See application file for complete search history.

(56) **References Cited**

**U.S. PATENT DOCUMENTS**

D589,964 S \* 4/2009 Heggland ..... D14/434  
D600,945 S \* 9/2009 Kelsen ..... D14/451

D615,072 S \* 5/2010 Saitou ..... D14/239  
D638,638 S \* 5/2011 Fitzpatrick ..... D6/656.11  
D674,805 S \* 1/2013 Vincent ..... D14/447  
D680,547 S \* 4/2013 Williams ..... D14/447  
D691,148 S \* 10/2013 Weatherby, III ..... D14/447  
D707,230 S \* 6/2014 Castronovo ..... D14/447  
D754,136 S \* 4/2016 Schoening ..... D14/447  
D774,322 S \* 12/2016 Schmauch ..... D6/406.5  
D791,779 S \* 7/2017 Tsuruoka ..... D14/451  
D800,135 S \* 10/2017 Ramey, III ..... D14/451  
2011/0147547 A1 \* 6/2011 Fitzpatrick ..... A47B 23/043  
248/157

\* cited by examiner

*Primary Examiner* — Angela J Lee

(74) *Attorney, Agent, or Firm* — Talus Law Group LLC

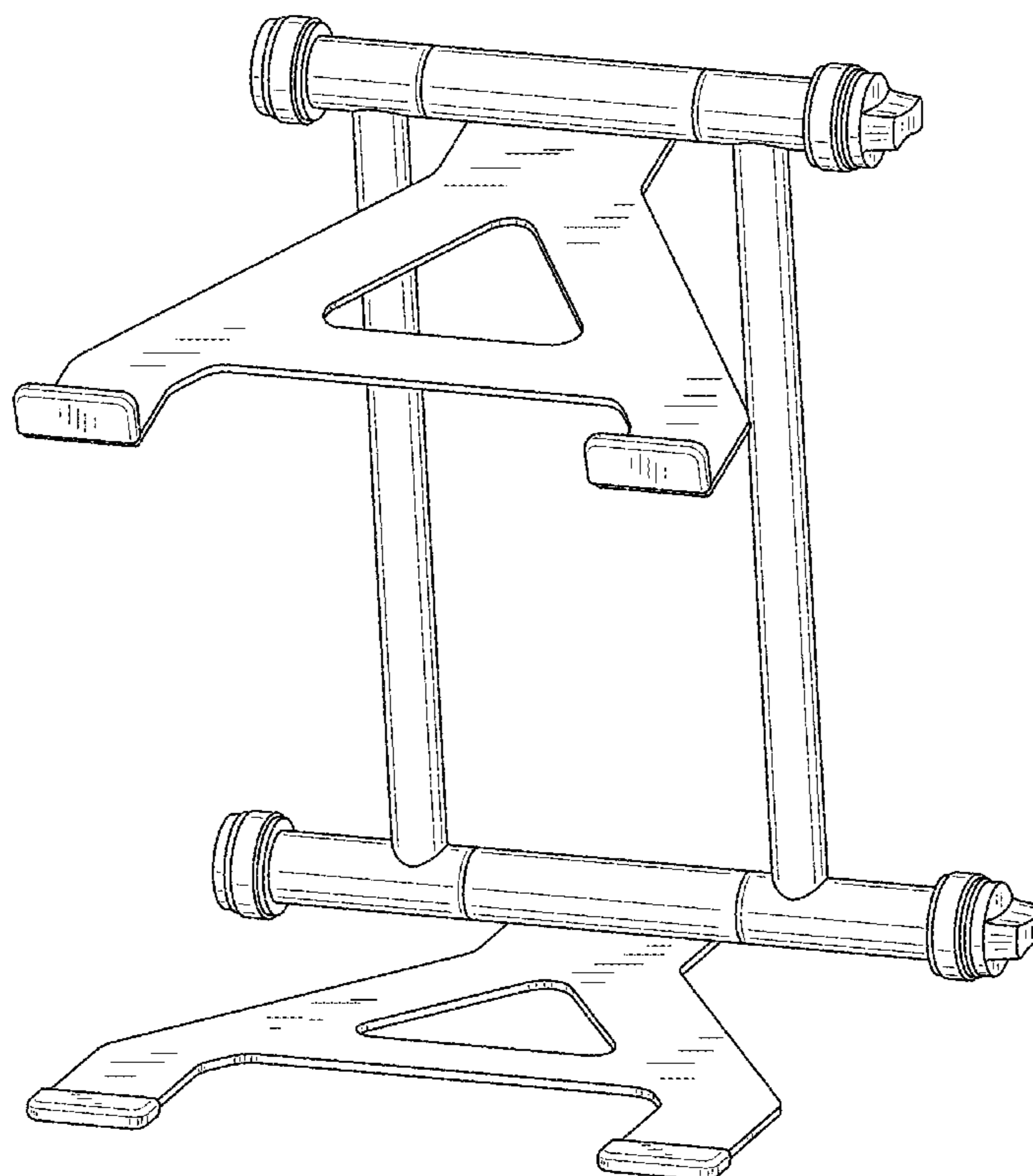
(57) **CLAIM**

The ornamental design for a laptop stand, as shown and described.

**DESCRIPTION**

FIG. 1 is a perspective view of the laptop stand showing the new design;  
FIG. 2 is a front elevation view thereof;  
FIG. 3 is a rear elevation view thereof;  
FIG. 4 is a right elevation view thereof;  
FIG. 5 is a left elevation view thereof;  
FIG. 6 is a top plan view thereof; and,  
FIG. 7 is a bottom plan view thereof.

**1 Claim, 7 Drawing Sheets**



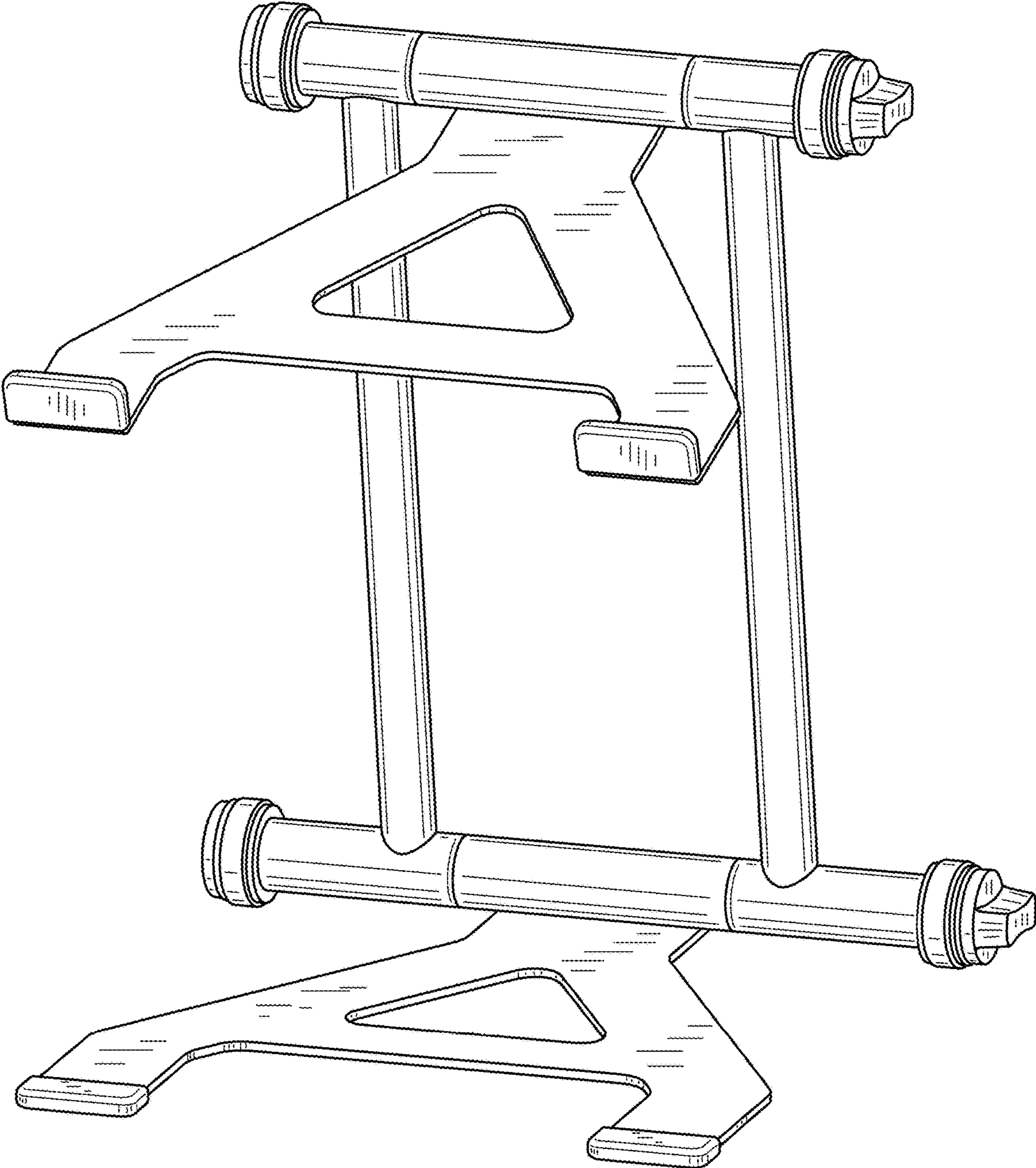


FIG.1

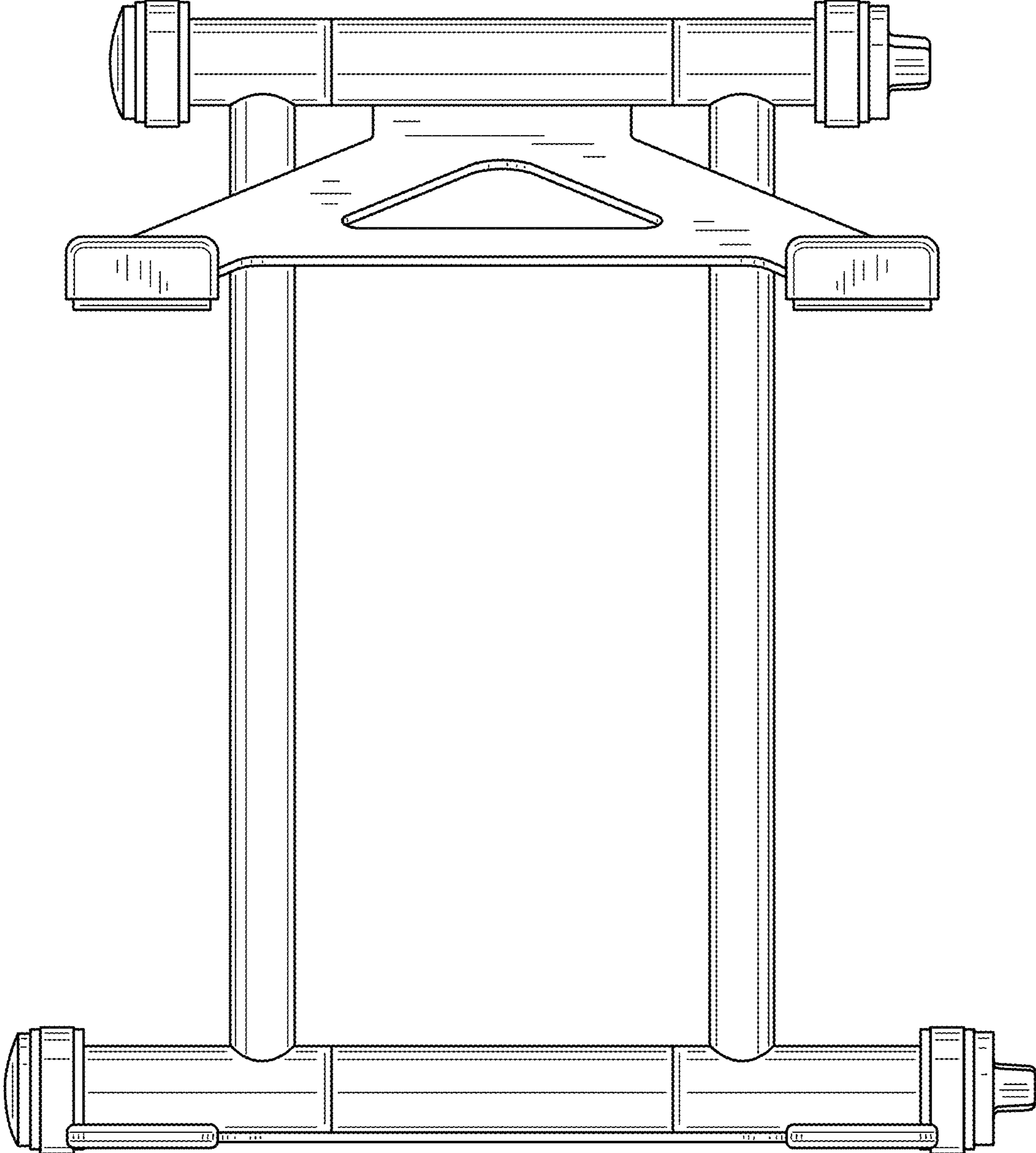


FIG.2

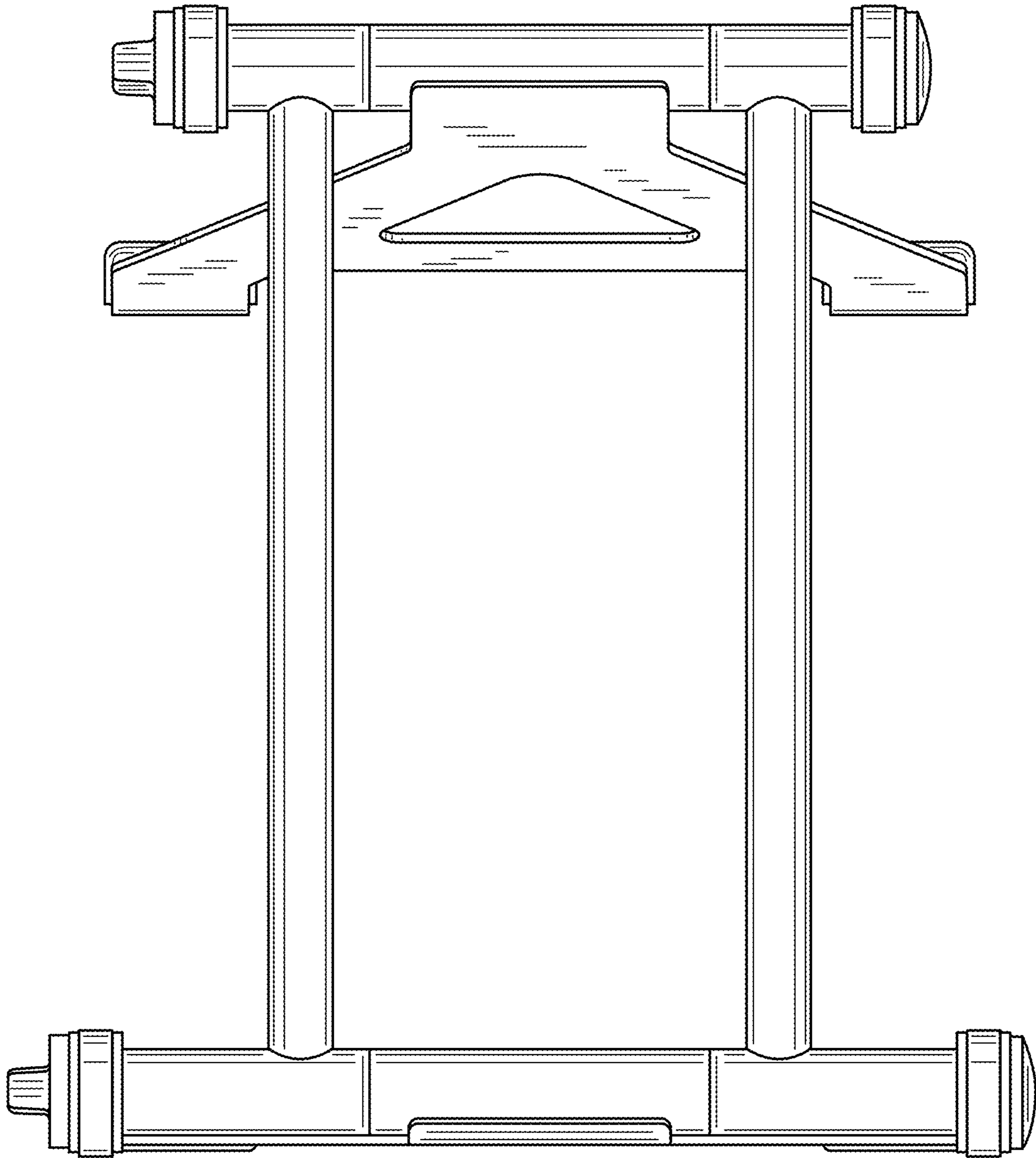


FIG.3

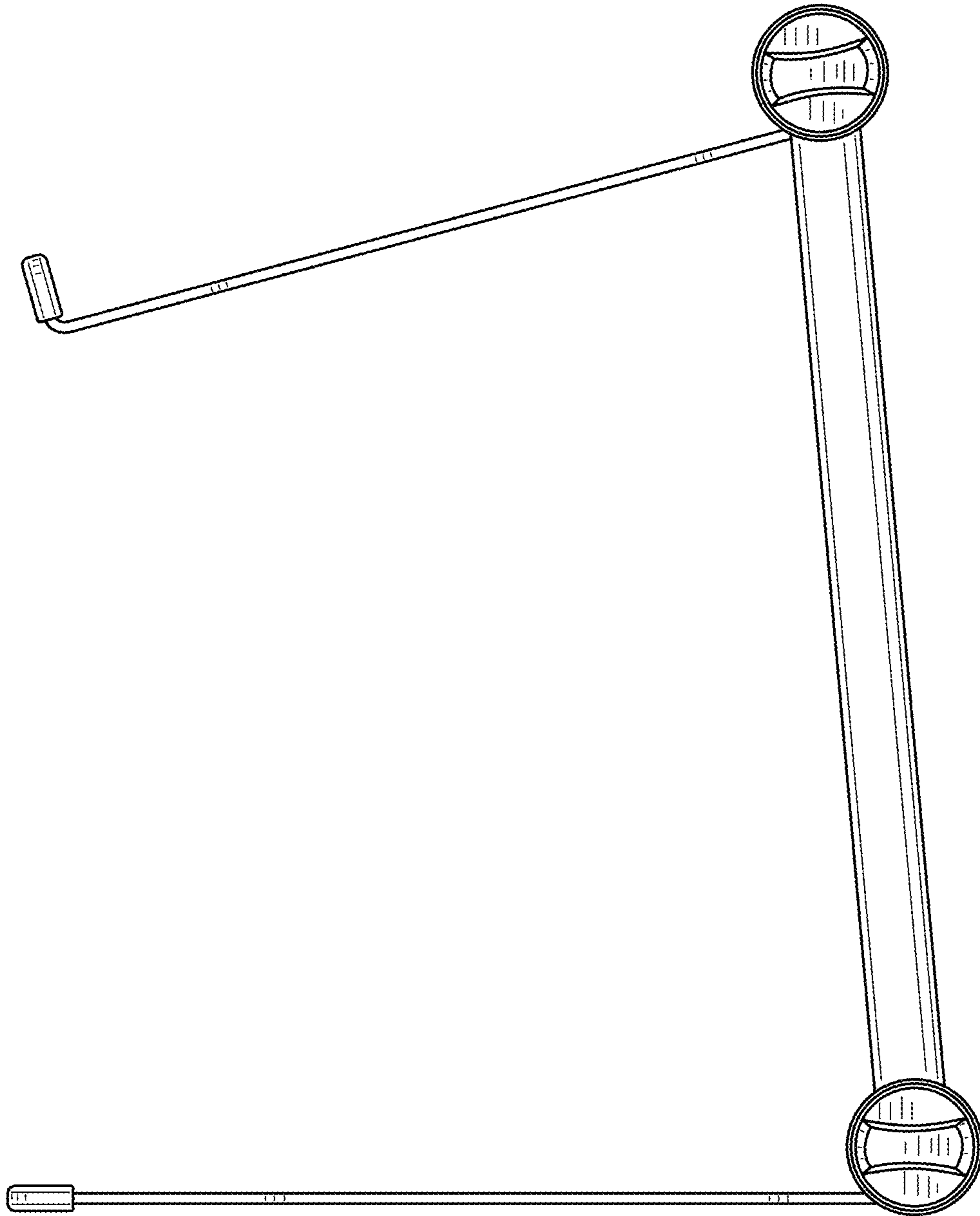


FIG.4

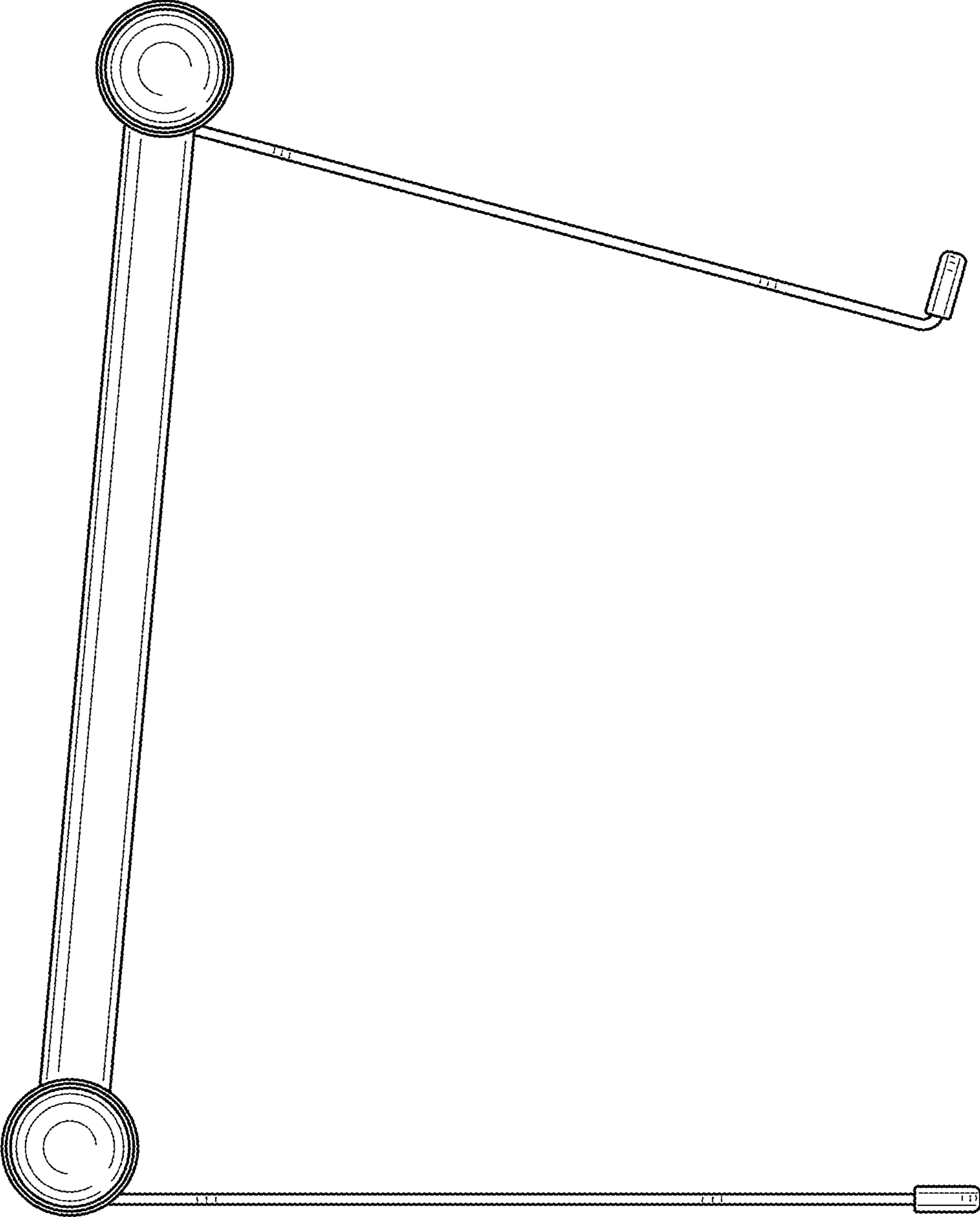


FIG.5

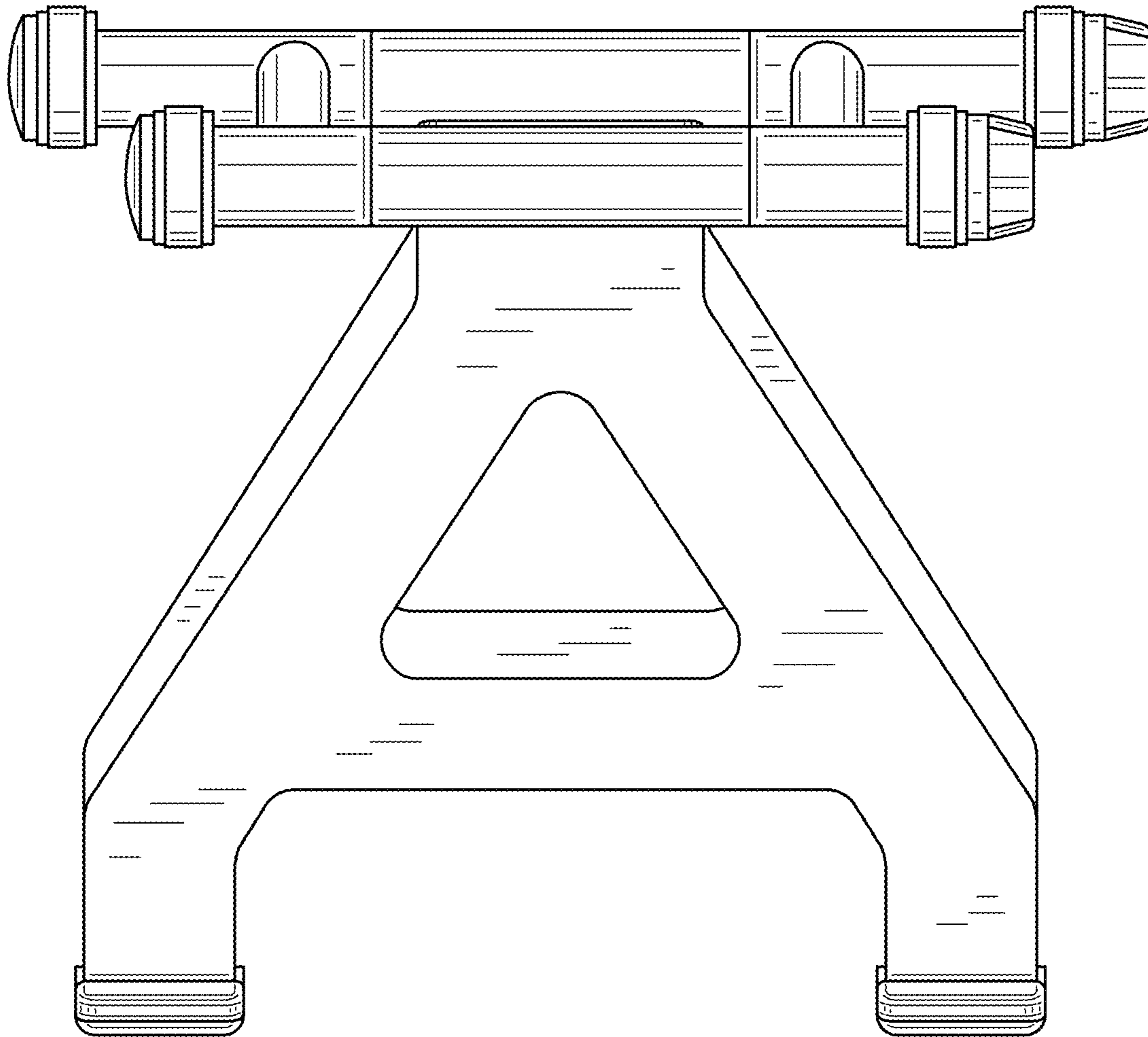


FIG. 6

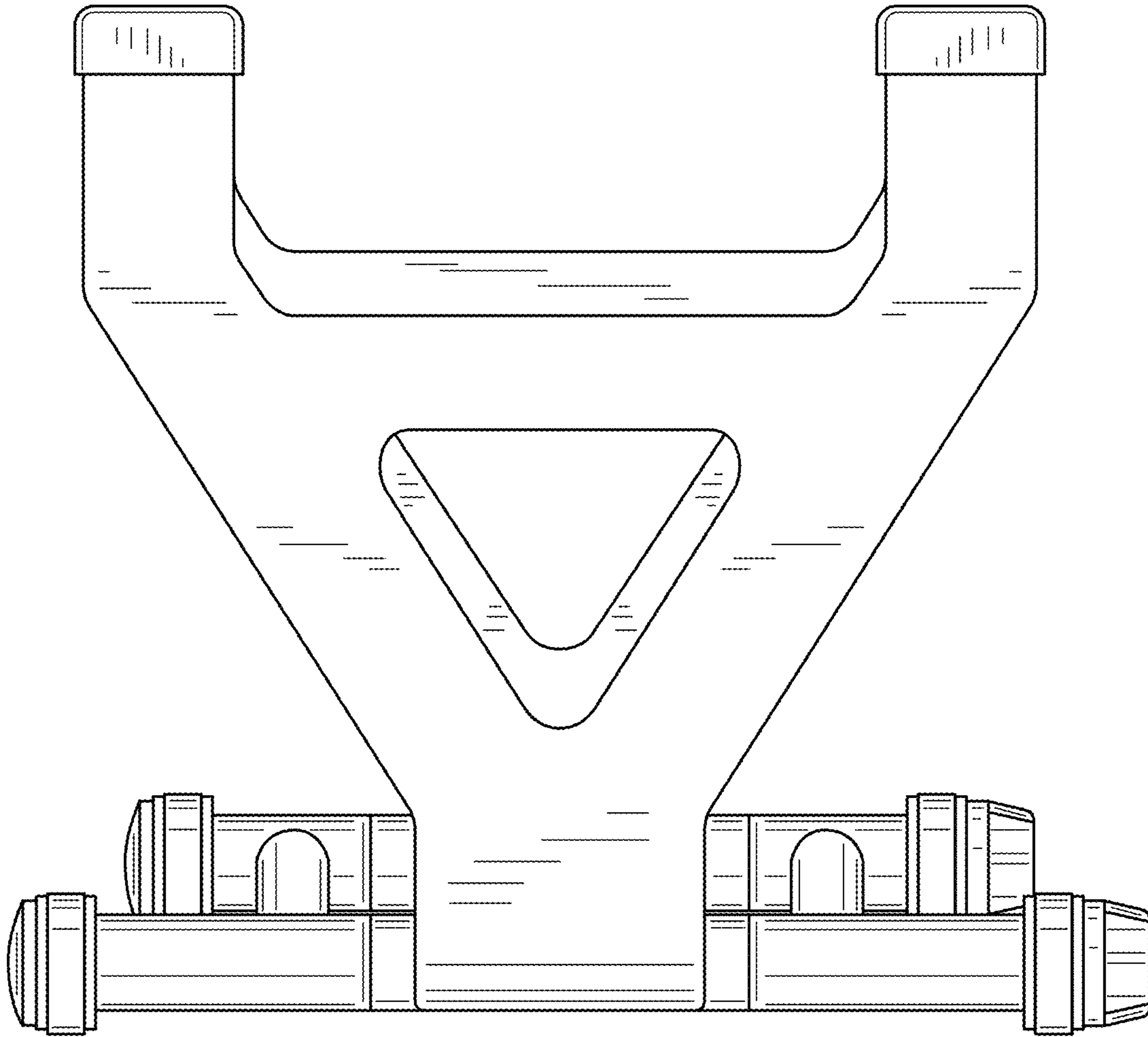


FIG.7