



US00D829210S

(12) **United States Design Patent**
Buhler

(10) **Patent No.:** **US D829,210 S**

(45) **Date of Patent:** **** Sep. 25, 2018**

(54) **COMPUTER KEYBOARD**

(71) Applicant: **Alfredo Buhler**, Vancouver (CA)

(72) Inventor: **Alfredo Buhler**, Vancouver (CA)

(**) Term: **15 Years**

(21) Appl. No.: **29/587,286**

(22) Filed: **Dec. 12, 2016**

(51) **LOC (11) Cl.** **14-02**

(52) **U.S. Cl.**

USPC **D14/392**

(58) **Field of Classification Search**

USPC D14/315-327, 391-399, 455, 456;
D18/1, 2, 7, 11; 235/145 A, 145 R;
341/22, 23; 345/104, 156, 168, 169, 173;
361/679.08, 679.09, 679.11, 679.26,
361/679.27

CPC G06F 1/16; G06F 1/1616; G06F 1/1626;
G06F 1/1632; G06F 1/1613; G06F
1/1601; G06F 1/1618; G06F 1/162; G06F
3/0221; G06F 3/0216; H01R 35/02;
H03M 11/00; G09B 13/04; H03K 17/94;
G09G 5/00; F16M 11/10; H05K 5/00;
H04M 1/0237; H01H 13/14; H01H 13/84;
B41J 5/00; B41J 5/12; B41J 5/10

See application file for complete search history.

(56) **References Cited**

U.S. PATENT DOCUMENTS

4,764,770 A * 8/1988 Church H01H 13/702
200/344
D335,660 S * 5/1993 Busch D14/392

D347,629 S * 6/1994 Hermann D14/396
D440,969 S * 4/2001 Tsai D14/392
D490,812 S * 6/2004 Andre D14/392
D526,319 S * 8/2006 Ohno D14/391
D556,758 S * 12/2007 Nguyen D14/391
D684,576 S * 6/2013 Lee D14/392
D716,810 S * 11/2014 Fujita D14/392

* cited by examiner

Primary Examiner — Freda S Nunn

(57) **CLAIM**

The ornamental design for a computer keyboard, as shown and described.

DESCRIPTION

FIG. 1 is a top perspective view of a computer keyboard showing my new design;

FIG. 2 is a left side elevational view thereof;

FIG. 3 is a right side elevational view thereof;

FIG. 4 is a front side elevational view thereof;

FIG. 5 is a rear side elevational view thereof;

FIG. 6 is a top plan view thereof;

FIG. 7 is a left side perspective view thereof;

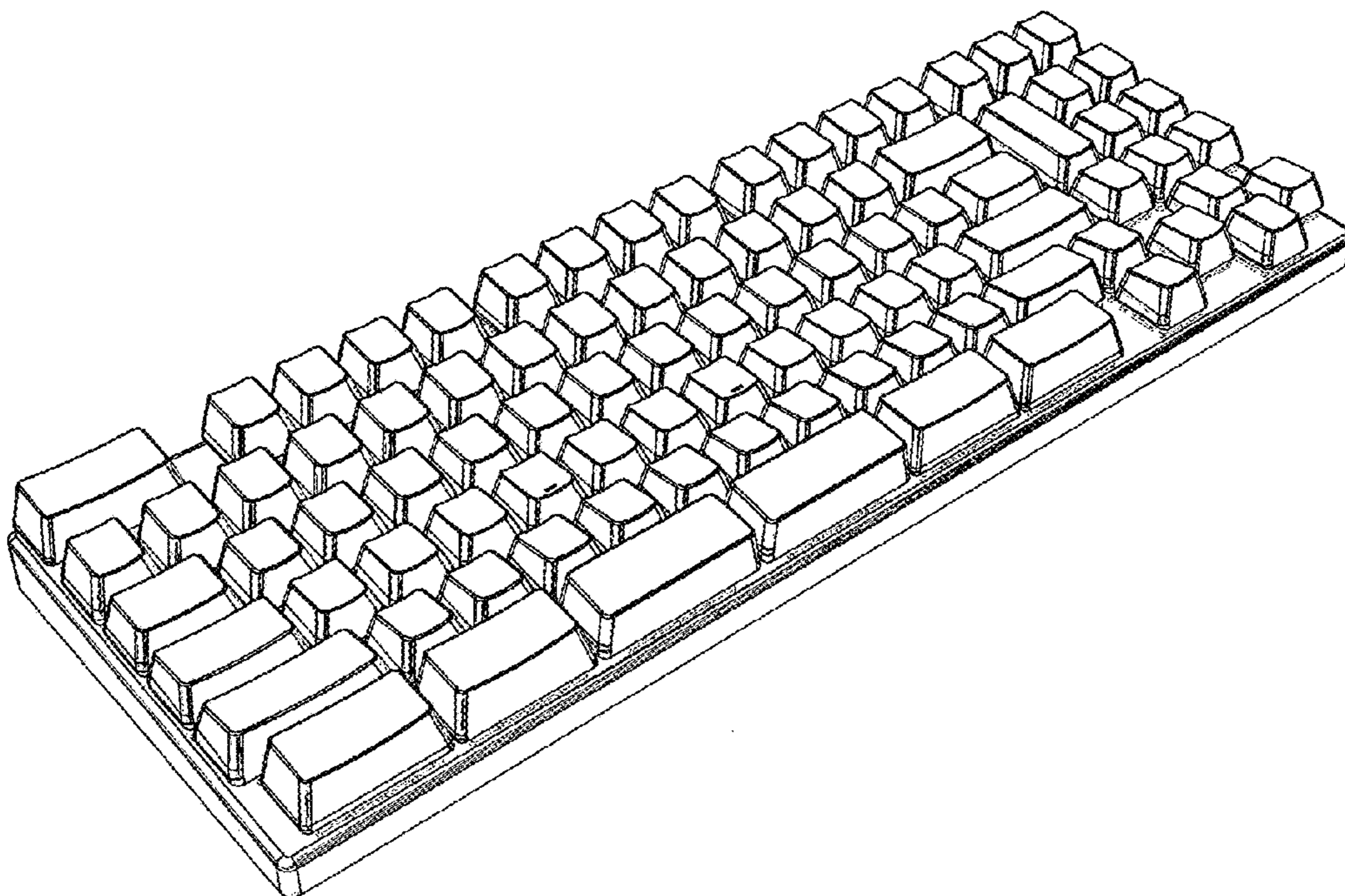
FIG. 8 is a right side perspective view thereof; and,

FIG. 9 is another top perspective view.

The bottom of the computer keyboard is flat and unornamented.

The portions of the keyboard shown in broken lines form no part of the claimed design.

1 Claim, 9 Drawing Sheets



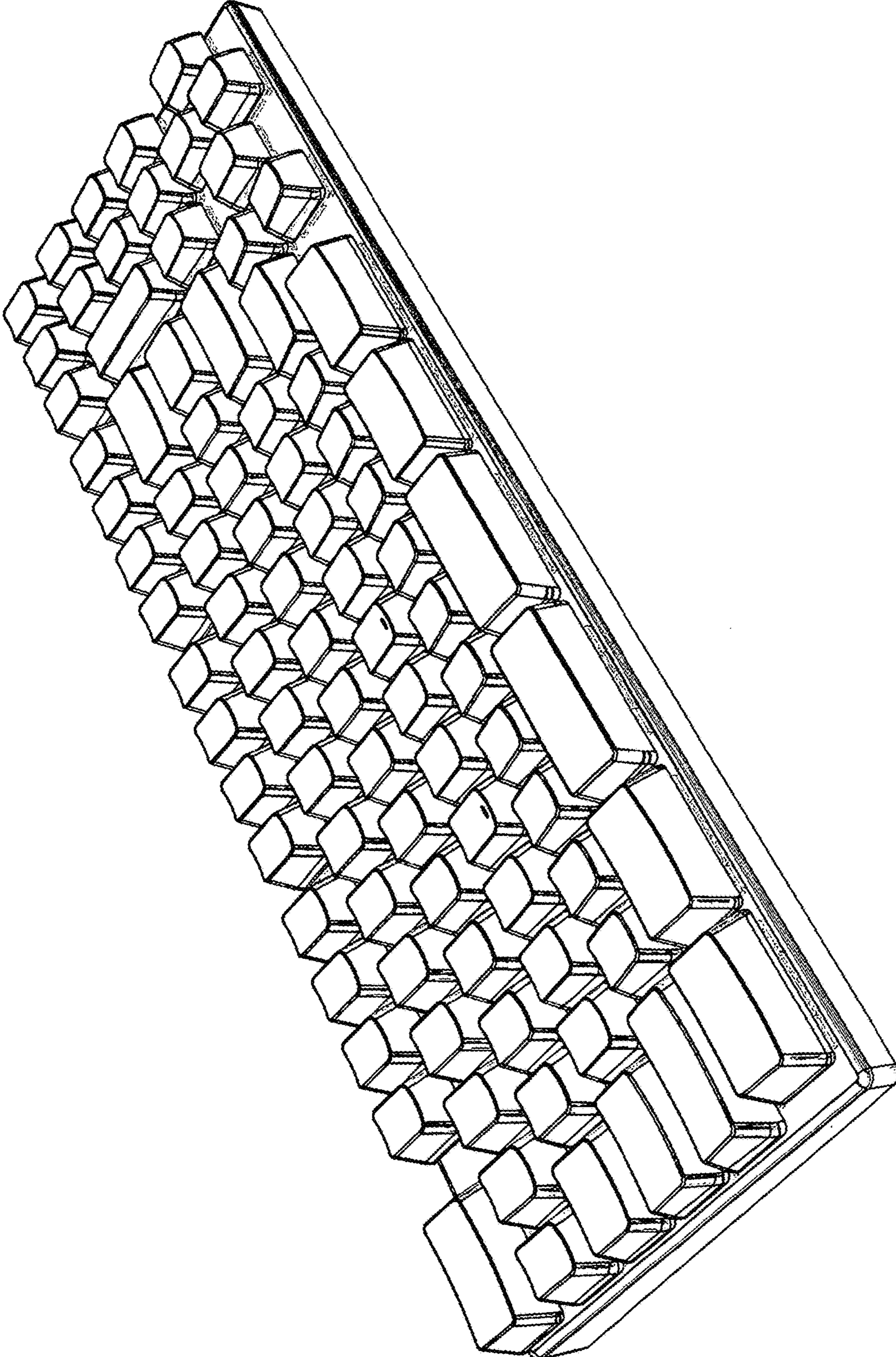


FIG. 1

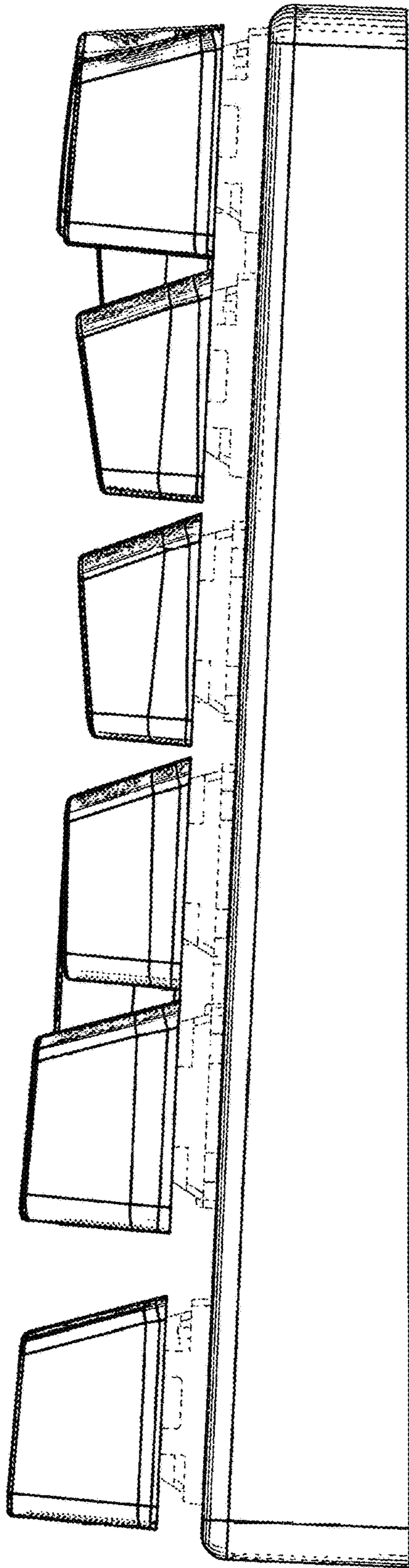


FIG. 2

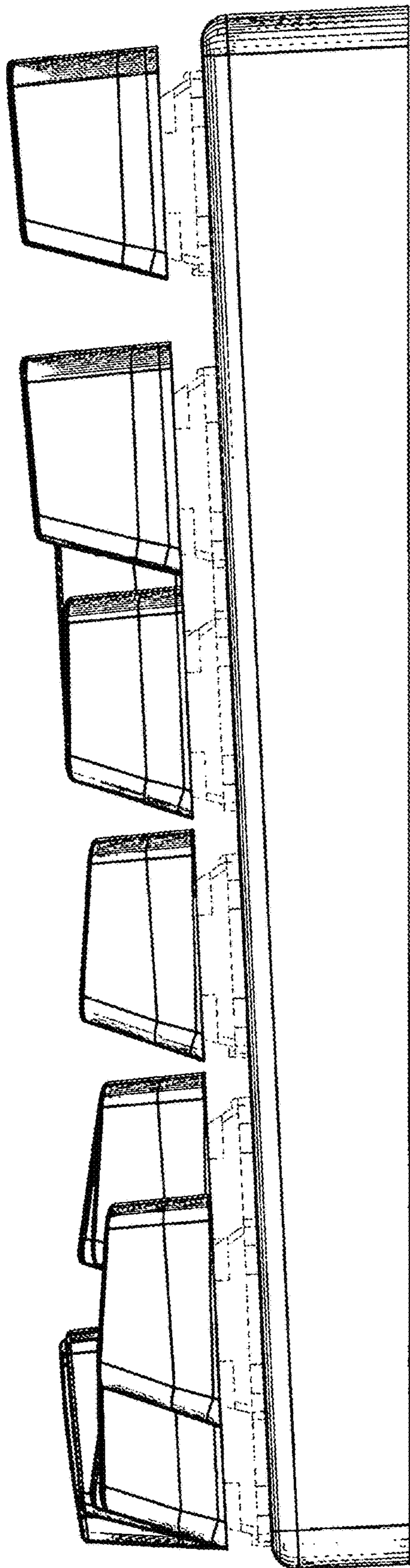


FIG. 3

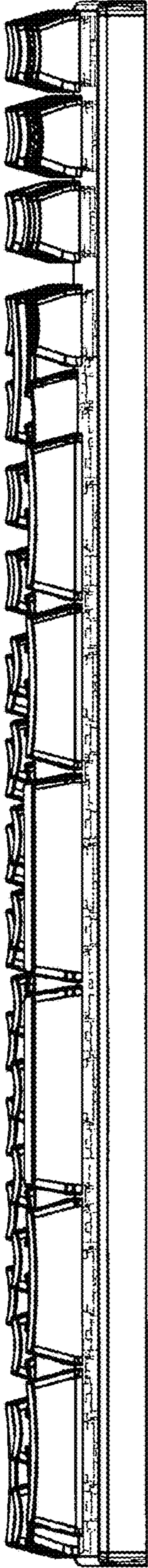


FIG. 4

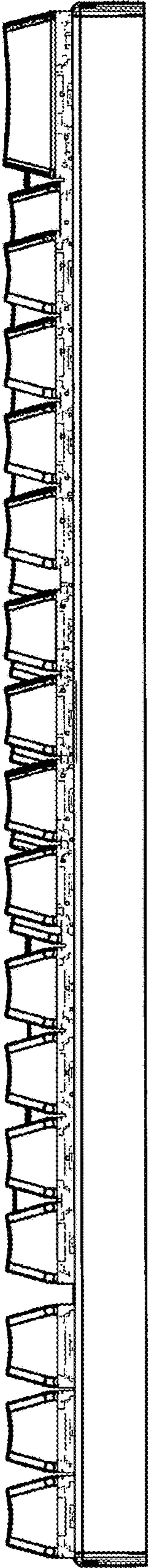


FIG. 5

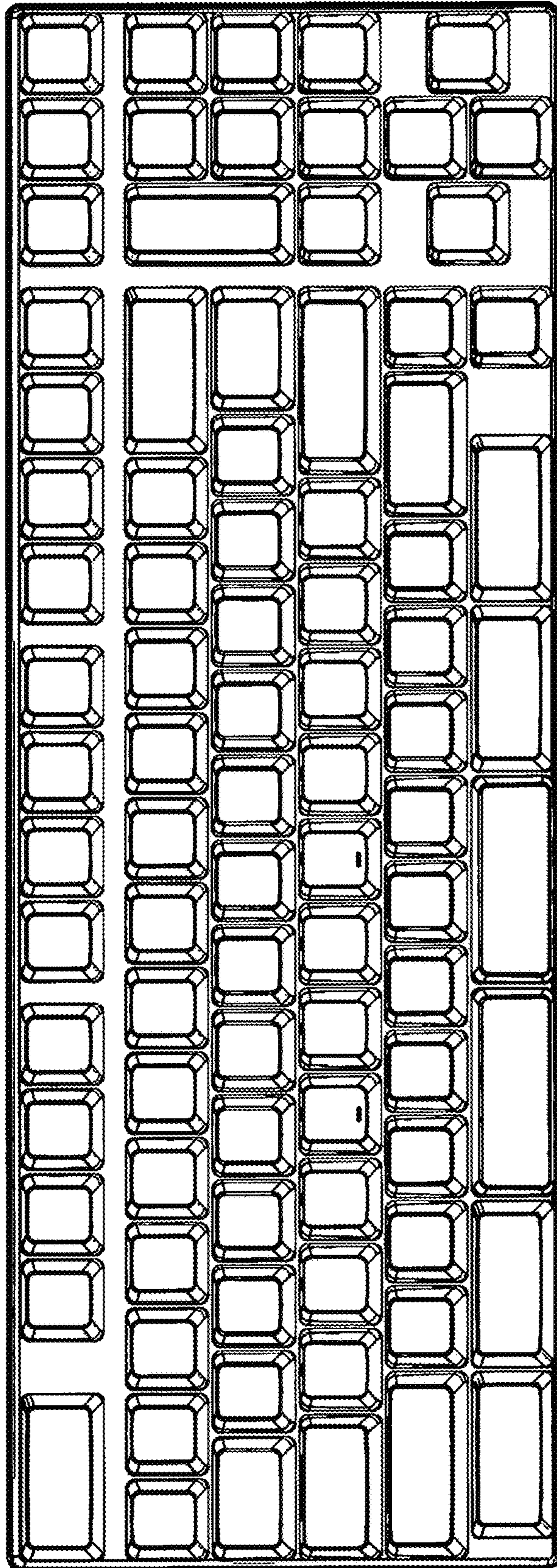


FIG. 6

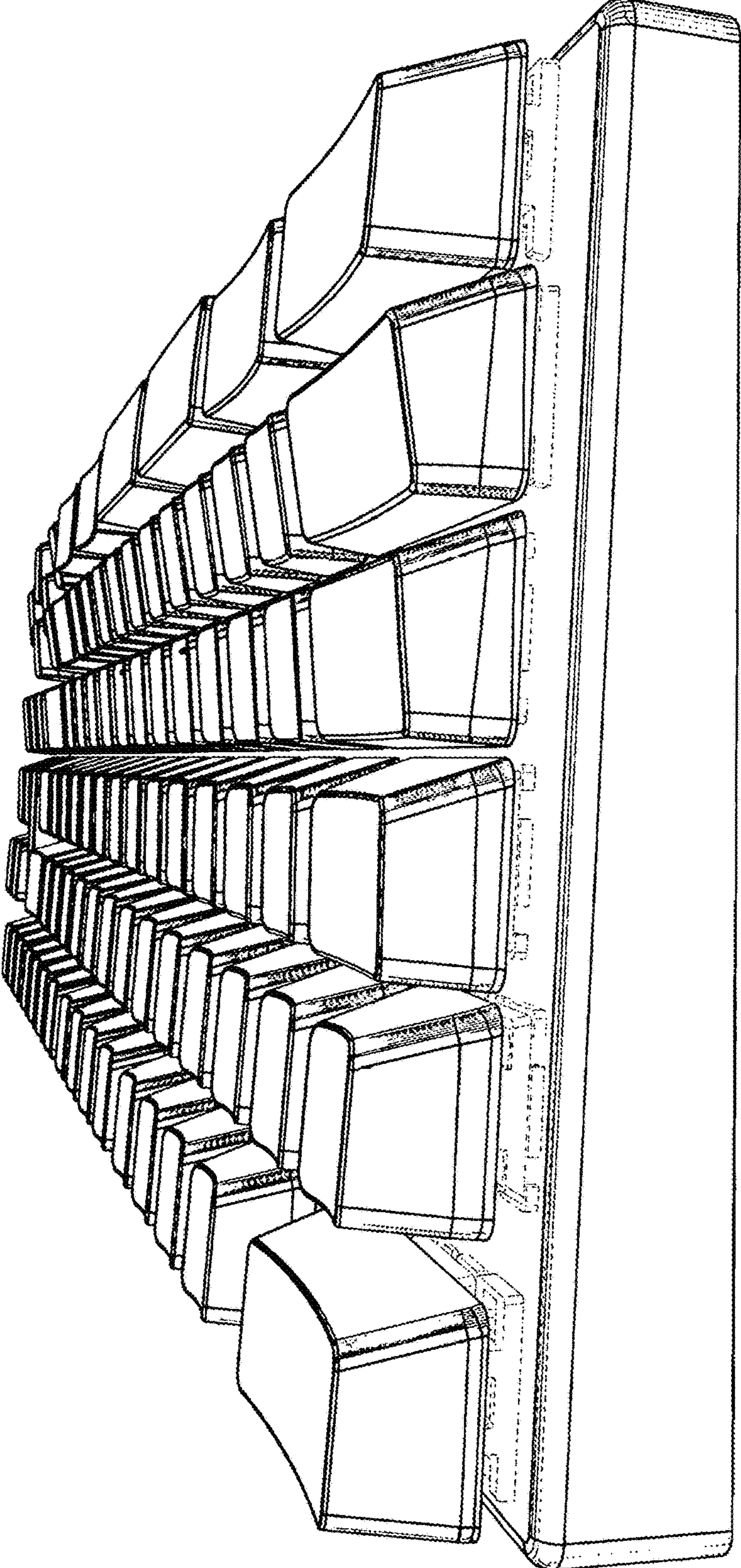


FIG. 7

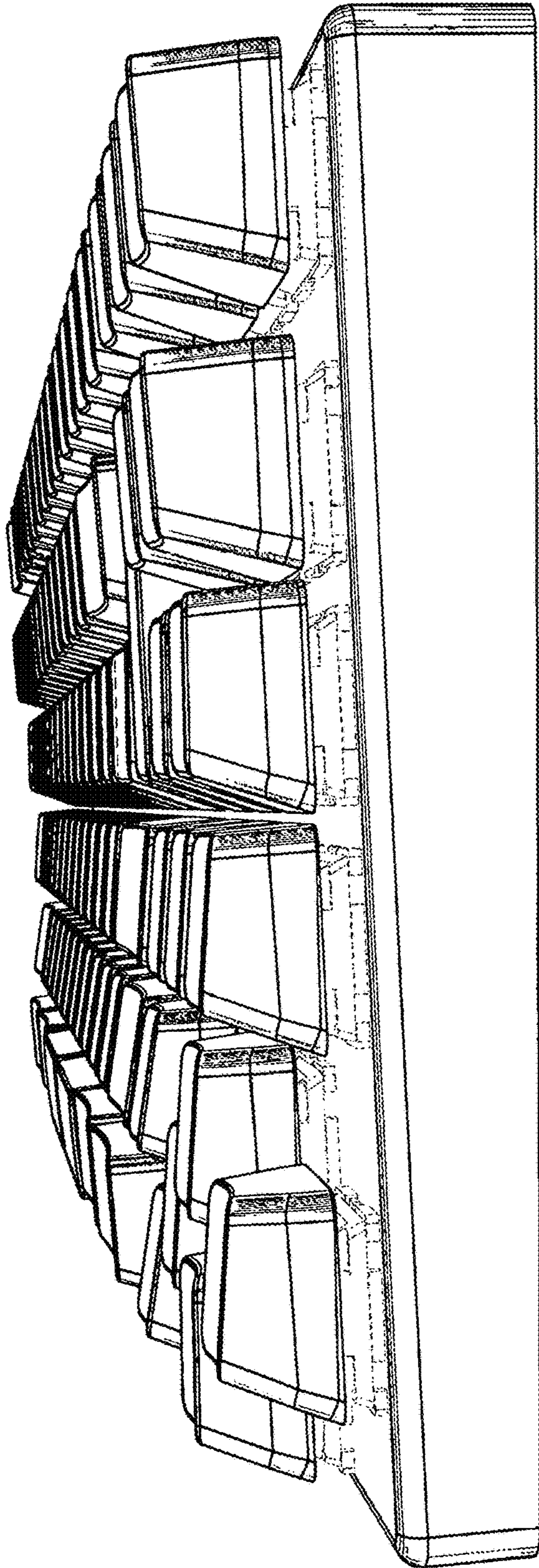


FIG. 8

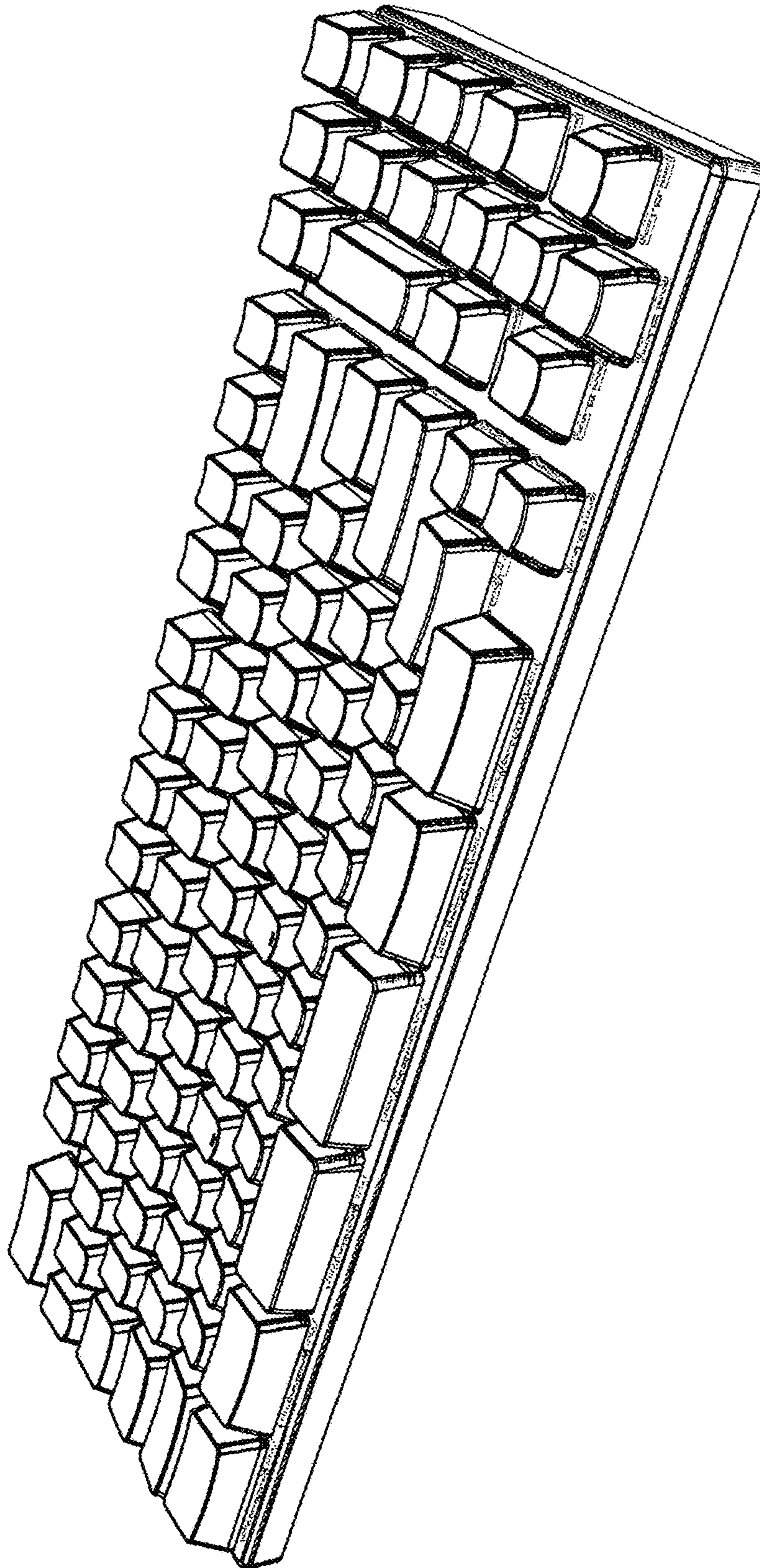


FIG. 9