



US00D829208S

(12) **United States Design Patent**  
**Dallmeyer et al.**

(10) **Patent No.:** **US D829,208 S**  
(45) **Date of Patent:** **\*\* Sep. 25, 2018**

(54) **HEAD-MOUNTED DISPLAY STRAP SYSTEM**

(71) Applicant: **Oculus VR, LLC**, Menlo Park, CA (US)

(72) Inventors: **Scott Andrew Dallmeyer**, Seattle, WA (US); **Shane Michael Ellis**, Bellevue, WA (US); **Peter Wesley Bristol**, Seattle, WA (US); **Mauricio Romano**, Redmond, WA (US)

(73) Assignee: **Oculus VR, LLC**, Menlo Park, CA (US)

(\*\*) Term: **15 Years**

(21) Appl. No.: **29/604,132**

(22) Filed: **May 15, 2017**

(51) **LOC (11) Cl.** ..... **14-02**

(52) **U.S. Cl.**  
USPC ..... **D14/372**

(58) **Field of Classification Search**  
USPC ..... D14/372, 371, 126, 129, 299, 432, 448, D14/496; D16/300-342; 351/144, 153, 351/158; 345/7-9, 905; 455/344; 348/53, 115, 121, 739  
CPC ..... G02B 27/017; G02B 27/0158; G02B 27/0161; G02B 27/0181; G02B 27/0185; G02B 27/0189

See application file for complete search history.

(56) **References Cited**

**U.S. PATENT DOCUMENTS**

D785,619 S \* 5/2017 Su ..... D14/372  
D791,126 S \* 7/2017 Sullivan ..... D14/372  
9,706,286 B1 \* 7/2017 Patel ..... H04R 1/105

9,716,932 B2 \* 7/2017 Miller ..... H04R 1/028  
D801,970 S \* 11/2017 Sullivan ..... D14/372  
9,854,340 B2 \* 12/2017 Miller ..... H04R 1/028  
9,857,596 B2 \* 1/2018 Drinkwater ..... G02B 27/0176  
9,857,839 B1 \* 1/2018 Bristol ..... G06F 1/163  
9,864,406 B2 \* 1/2018 Miller ..... G06F 1/163  
9,874,755 B2 \* 1/2018 Tempel ..... G02B 27/0176  
D810,743 S \* 2/2018 Yee ..... D14/372  
9,897,812 B2 \* 2/2018 Miller ..... G02B 27/0176  
9,927,618 B2 \* 3/2018 Allin ..... G02B 27/0176

\* cited by examiner

*Primary Examiner* — Garth Rademaker

*Assistant Examiner* — Katie Jane Stofko

(74) *Attorney, Agent, or Firm* — Fenwick & West LLP

(57) **CLAIM**

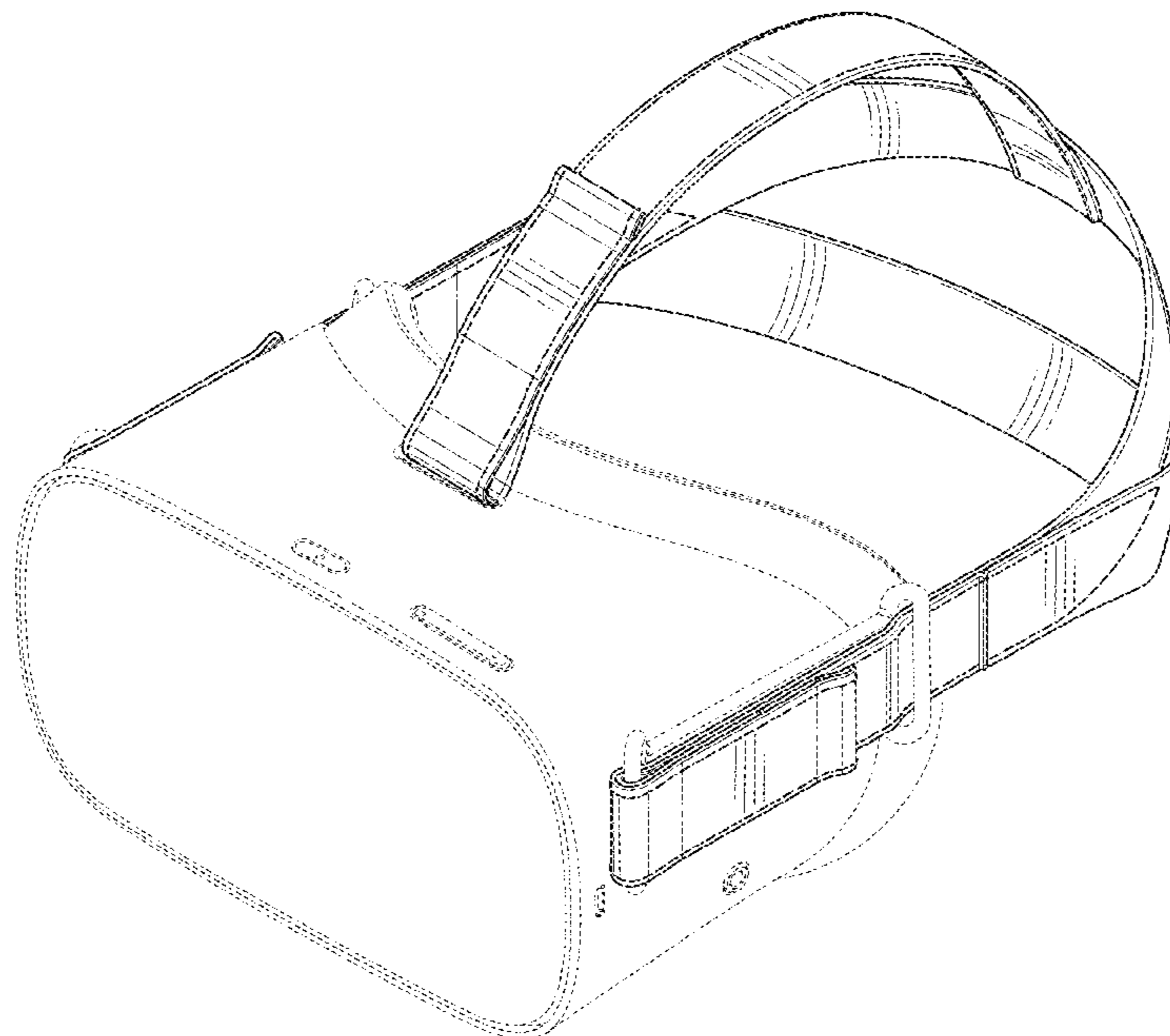
The ornamental design for a head-mounted display strap system, as shown and described.

**DESCRIPTION**

FIG. 1 is a first perspective view of a head-mounted display strap system;  
FIG. 2 is a front view thereof;  
FIG. 3 is a rear view thereof;  
FIG. 4 is a right side view thereof;  
FIG. 5 is a left side view thereof;  
FIG. 6 is a bottom plan view thereof;  
FIG. 7 is a top plan view thereof; and,  
FIG. 8 is another perspective view thereof, in an environment of use.

The dashed lines on the head-mounted display strap illustrate stitching that forms part of the claimed design. The broken lines illustrating the head-mounted display in FIG. 8 illustrate the environment of the claimed design that forms no part thereof.

**1 Claim, 8 Drawing Sheets**



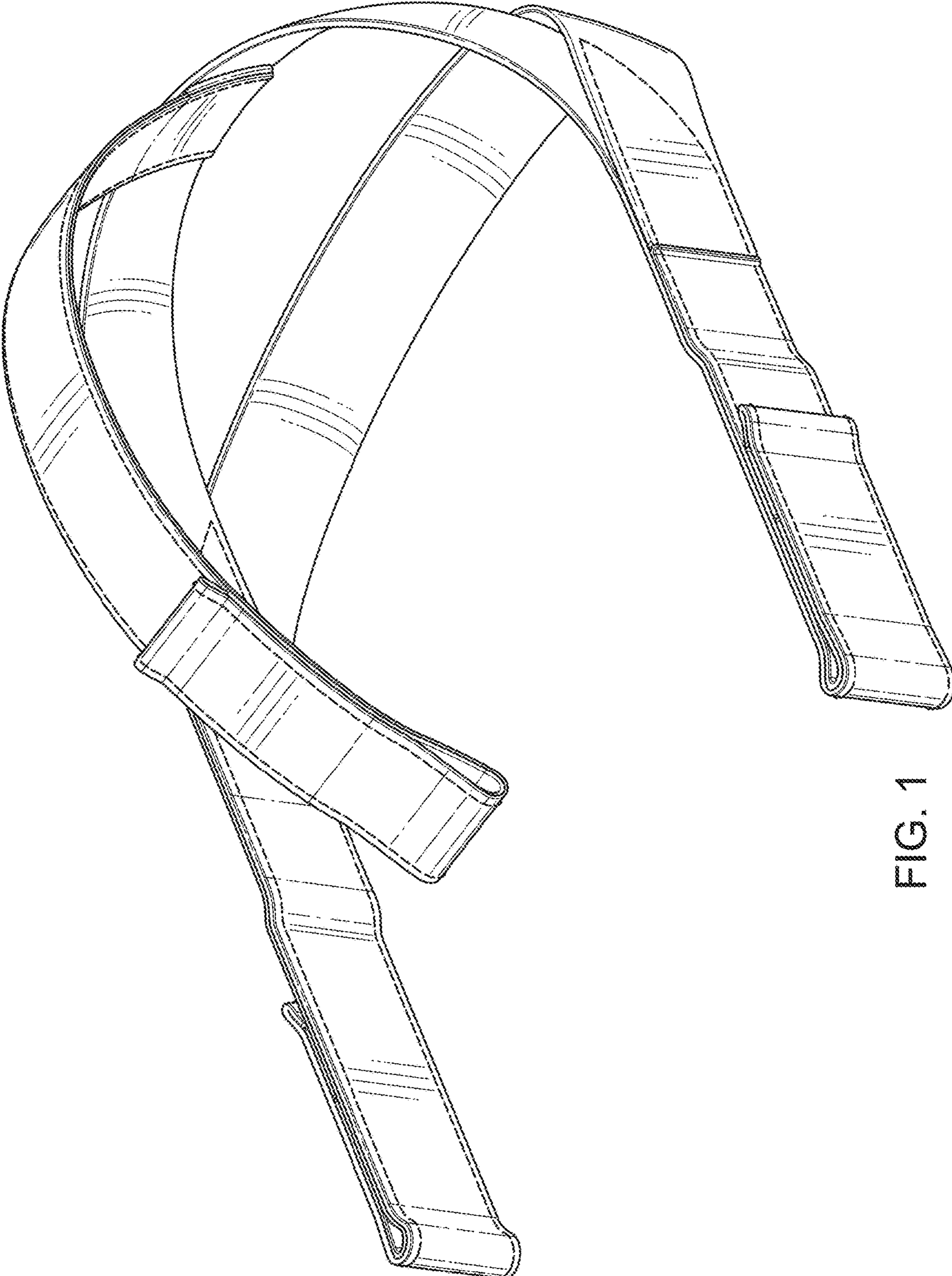


FIG. 1

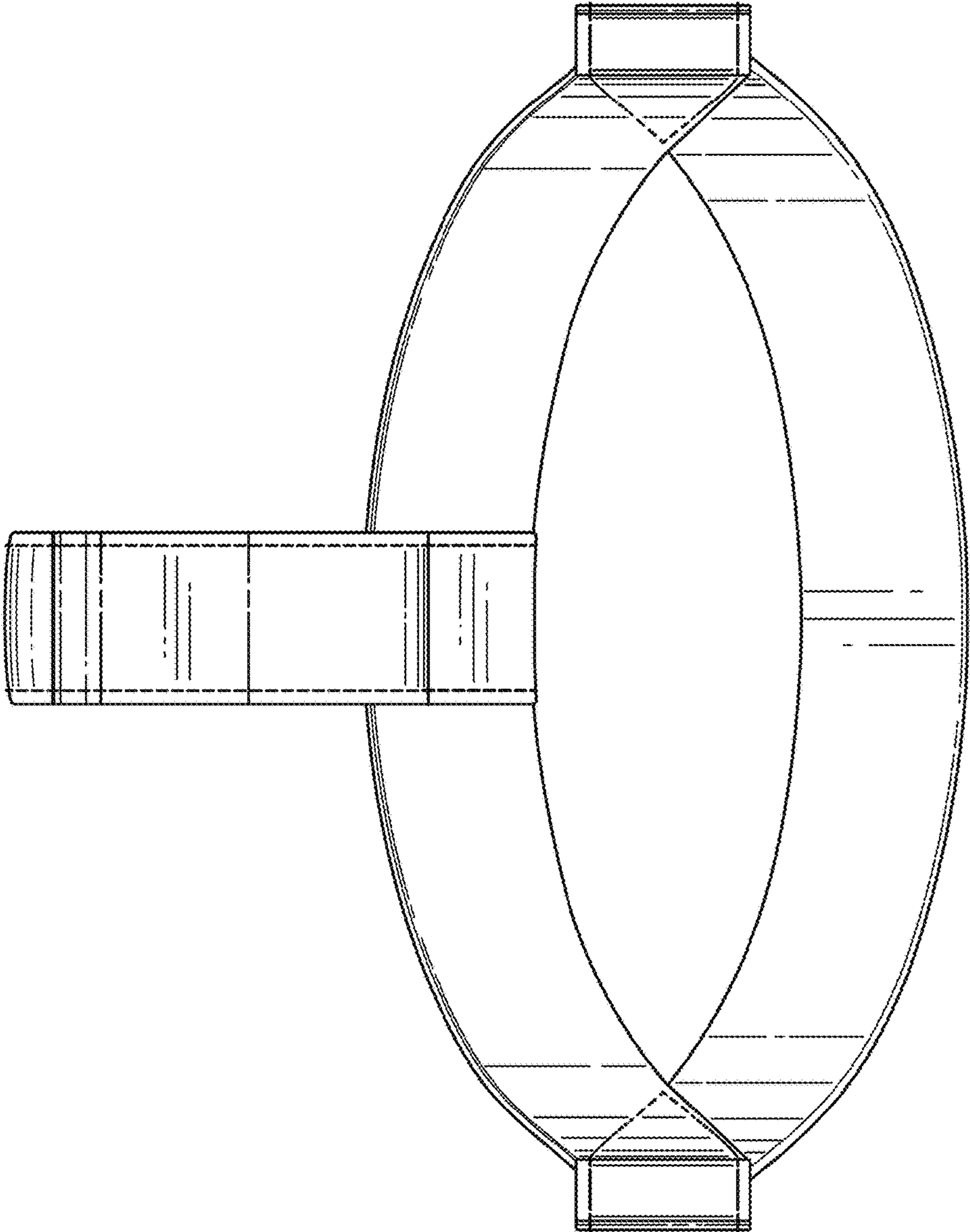


FIG. 2

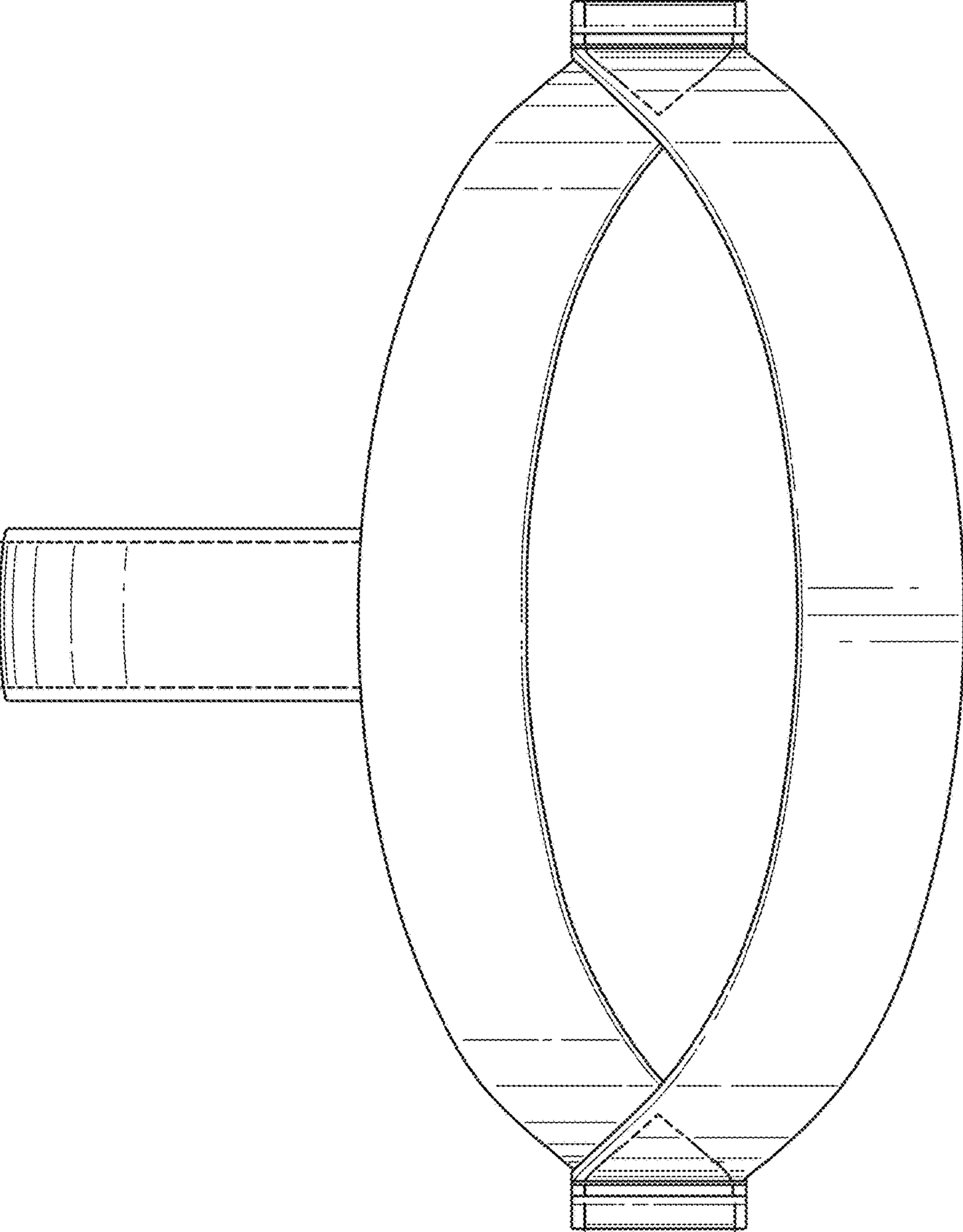


FIG. 3

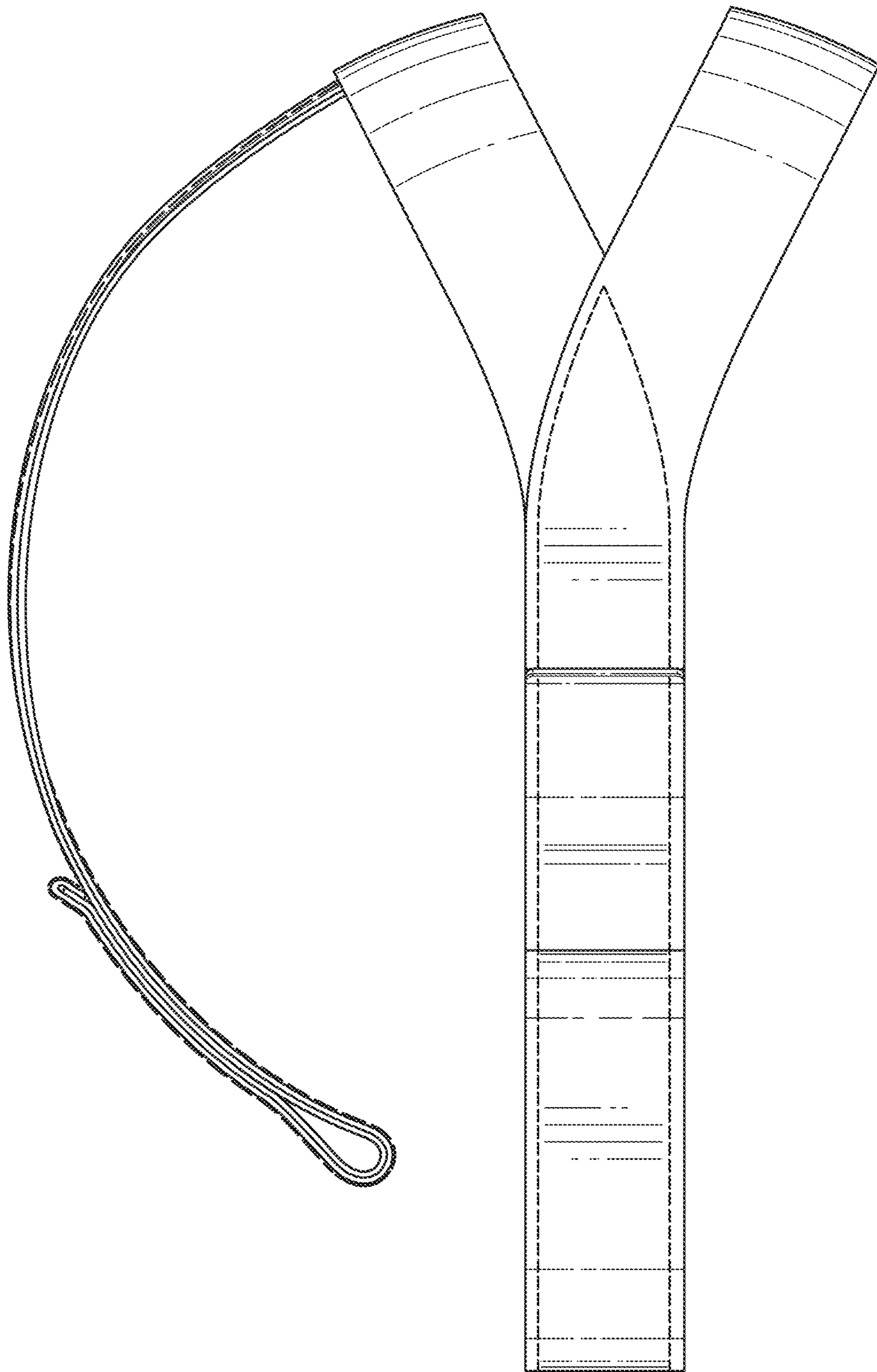


FIG. 4

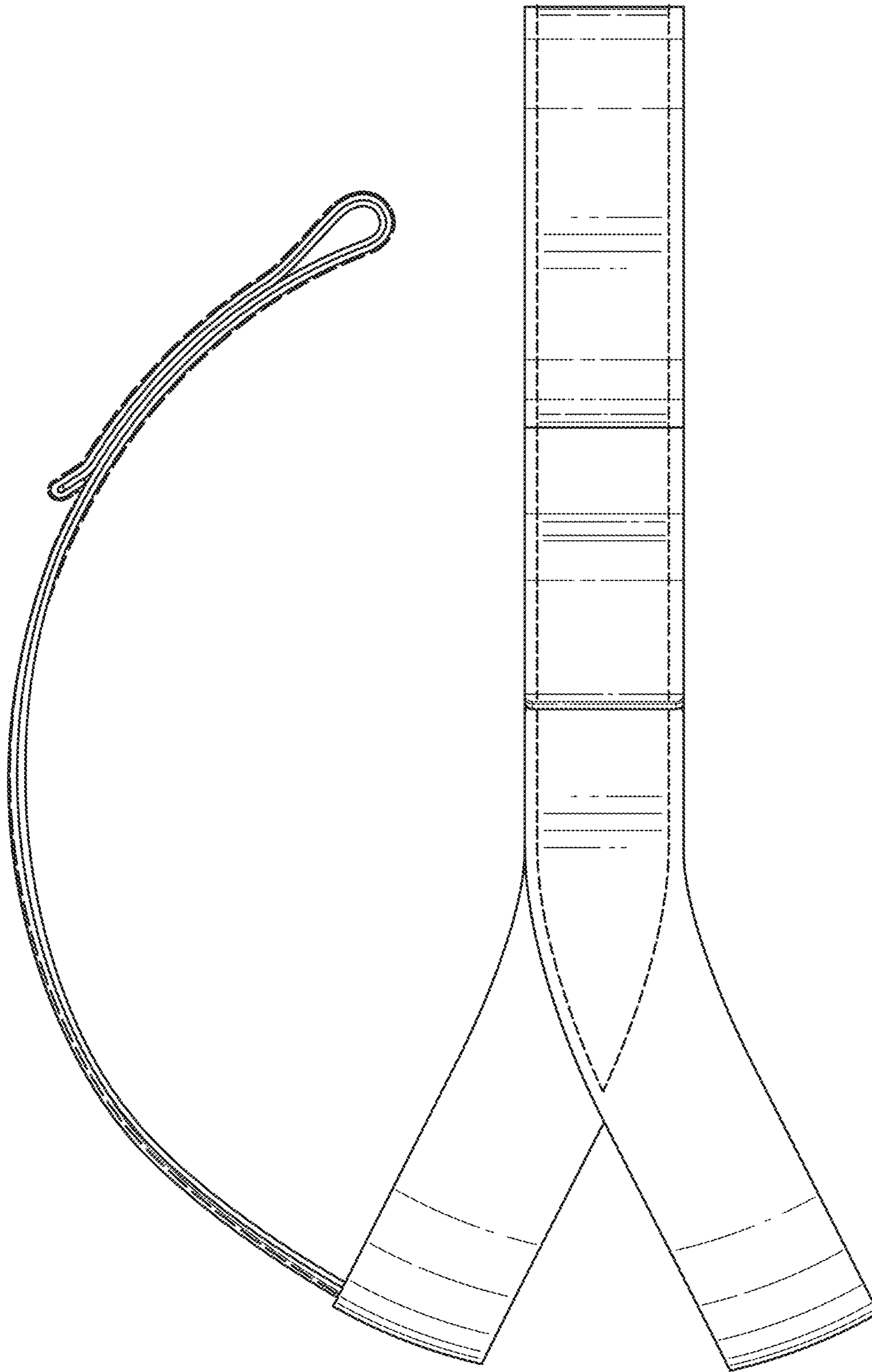


FIG. 5

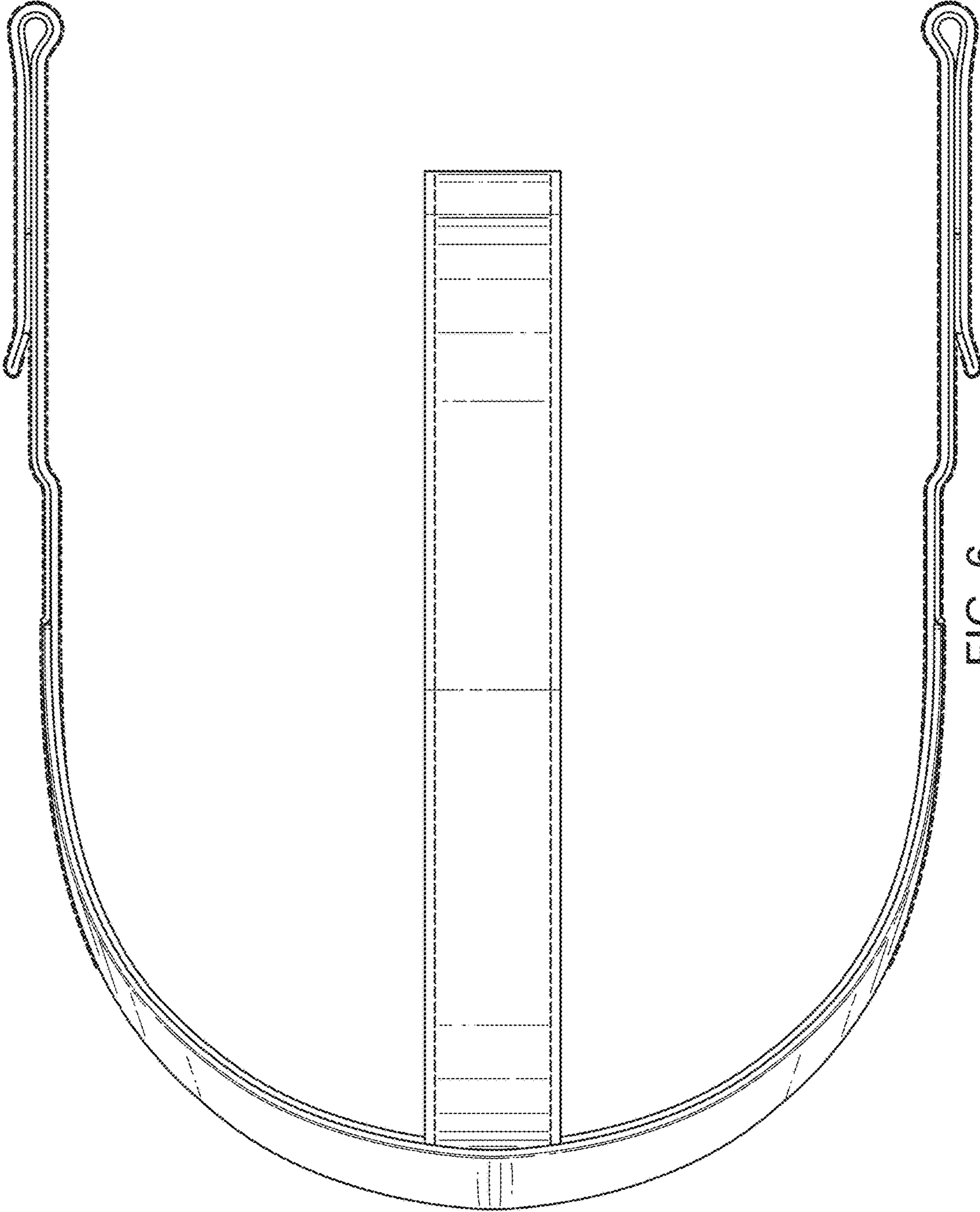


FIG. 6

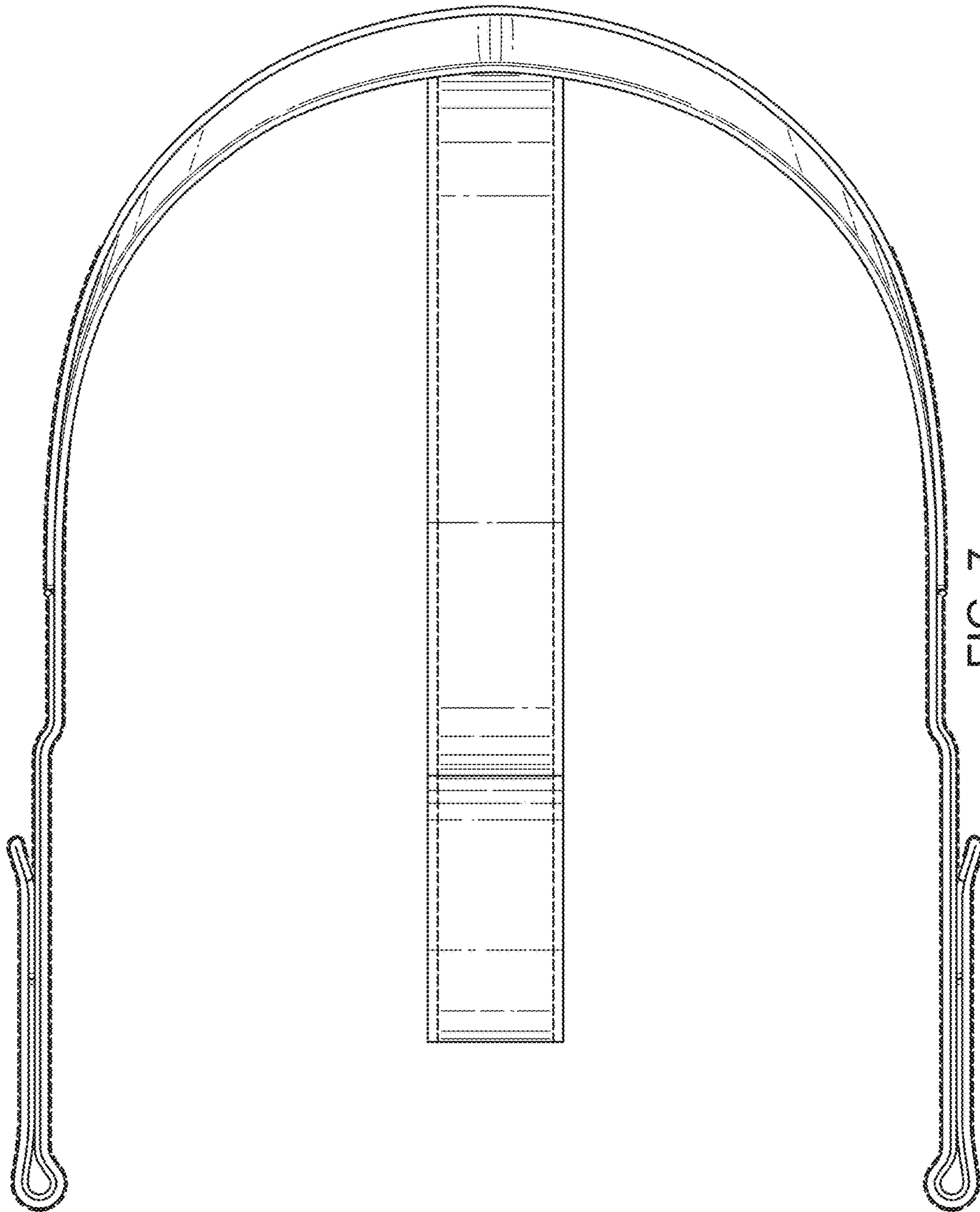


FIG. 7



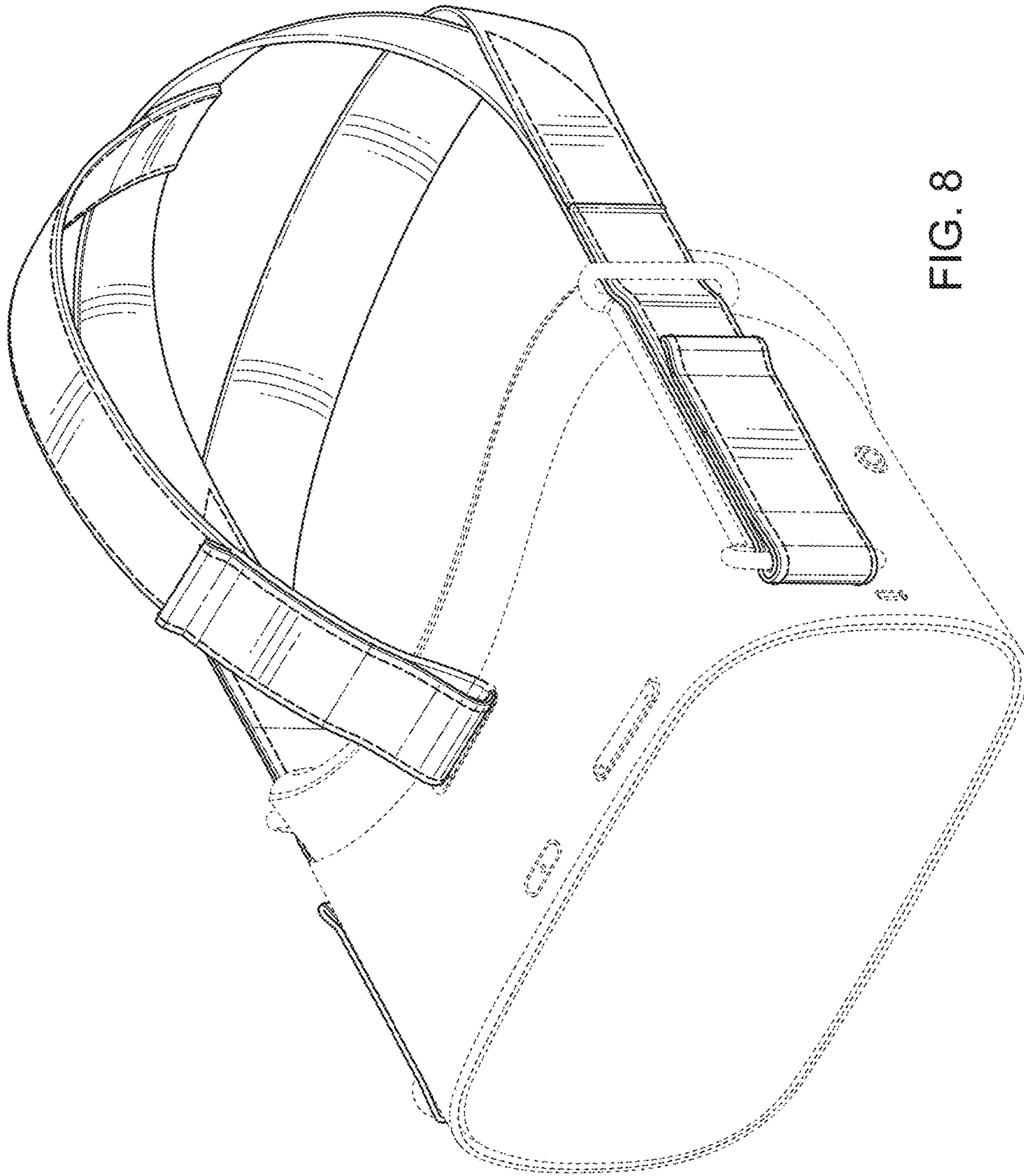


FIG. 8