



US00D829203S

(12) **United States Design Patent**
Chen

(10) **Patent No.:** **US D829,203 S**

(45) **Date of Patent:** **** Sep. 25, 2018**

(54) **PHONE STAND**

(71) Applicant: **TANG YANG DIES CO., LTD.**, New Taipei (TW)

(72) Inventor: **Hsu-Chen Chen**, New Taipei (TW)

(73) Assignee: **TANG YANG DIES CO., LTD.**, New Taipei (TW)

(**) Term: **15 Years**

(21) Appl. No.: **29/588,449**

(22) Filed: **Dec. 20, 2016**

(30) **Foreign Application Priority Data**

Sep. 8, 2016 (EM) 003370485

(51) **LOC (11) Cl.** **14-03**

(52) **U.S. Cl.**
USPC **D14/253**

(58) **Field of Classification Search**
USPC D14/251, 240, 217, 447, 253, 496, 250,
D14/440; 224/558; 248/205.3;
D16/200, 244

CPC H04B 1/3888; H04M 1/0283; H04M 1/04;
A45C 1/06; H05K 5/0204; F16M 13/00;
G06F 1/1632

See application file for complete search history.

(56) **References Cited**

U.S. PATENT DOCUMENTS

D670,691 S * 11/2012 Novak D14/253
D719,951 S * 12/2014 Fenton D14/253

D732,013 S * 6/2015 Aspinall D14/253
D750,060 S * 2/2016 Brassard D14/253
D770,171 S * 11/2016 Lai D14/253
D772,217 S * 11/2016 Alesi D14/253
D779,478 S * 2/2017 Justiss D14/253
D817,315 S * 5/2018 Dickie D14/250

* cited by examiner

Primary Examiner — Cynthia R Underwood

(74) *Attorney, Agent, or Firm* — Chun-Ming Shih; HDLS IPR Services

(57) **CLAIM**

The ornamental design for a phone stand, as shown and described.

DESCRIPTION

FIG. 1 is a perspective view of a phone stand showing my new design;

FIG. 2 is a front view thereof;

FIG. 3 is a rear view thereof;

FIG. 4 is a left side view thereof;

FIG. 5 is a right side view thereof;

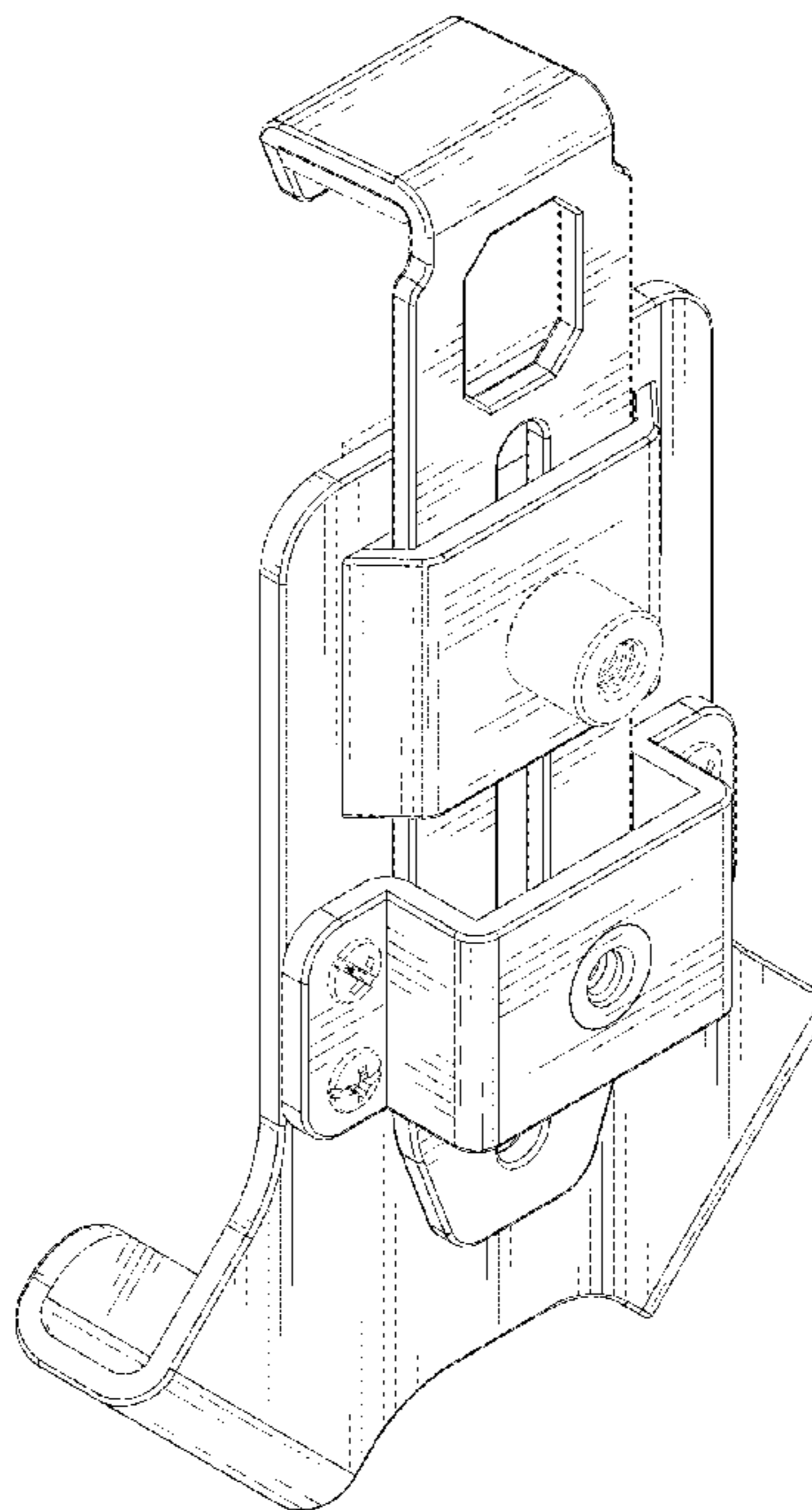
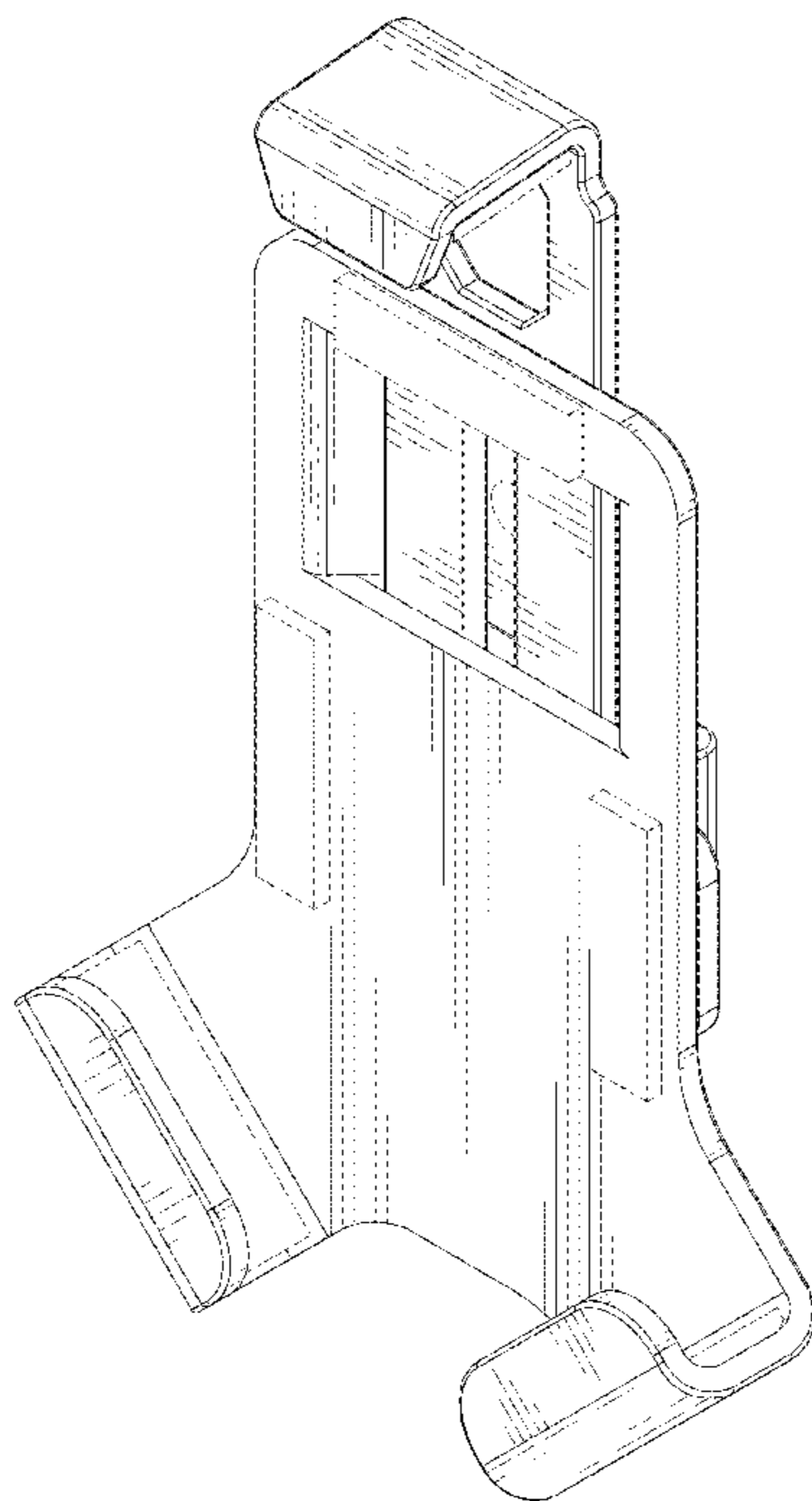
FIG. 6 is a top view thereof;

FIG. 7 is a bottom view thereof; and,

FIG. 8 is another perspective view thereof.

The broken lines shown represent unclaimed subject matter and form no part of the claimed design.

1 Claim, 8 Drawing Sheets



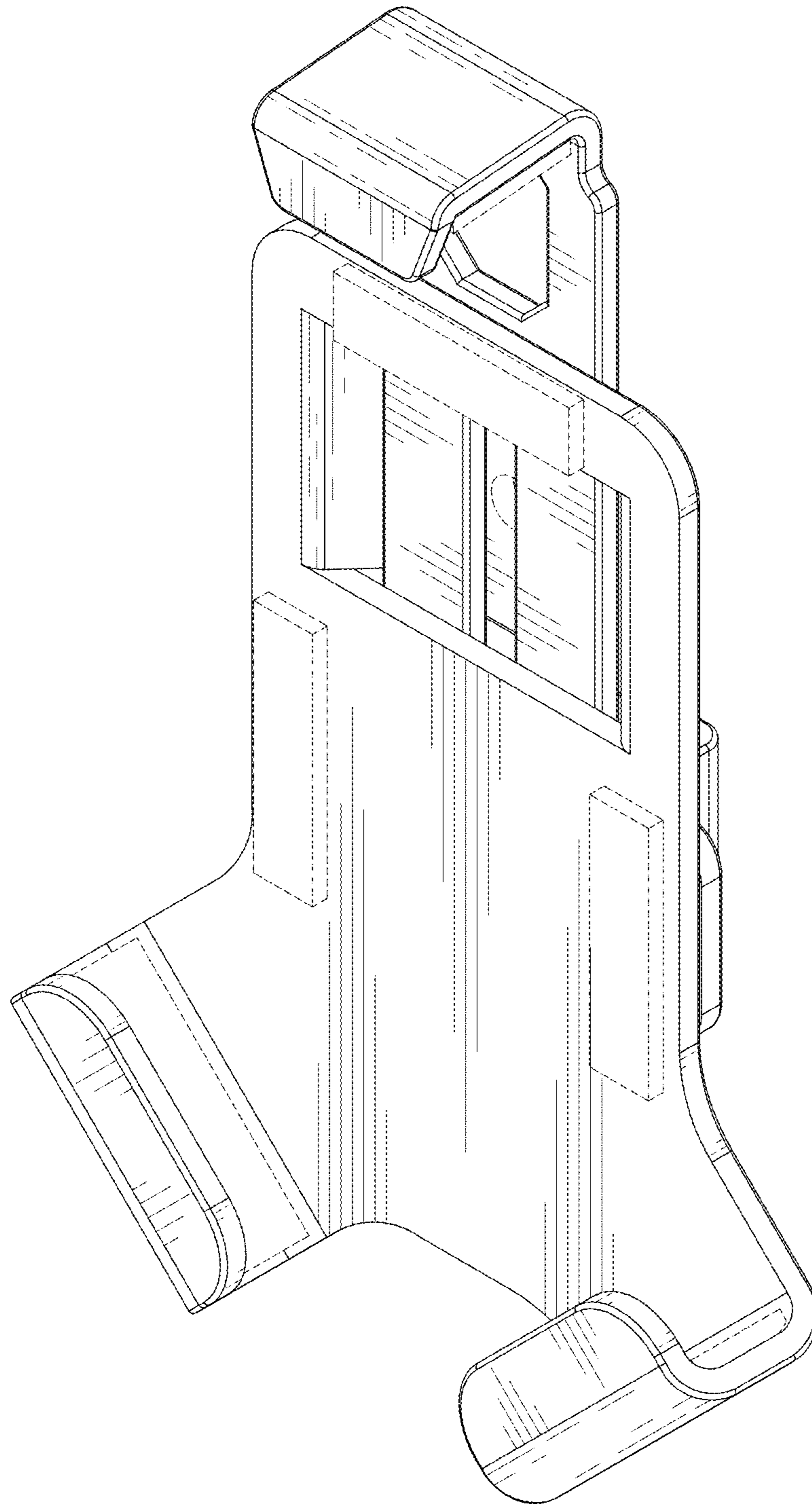


FIG.1

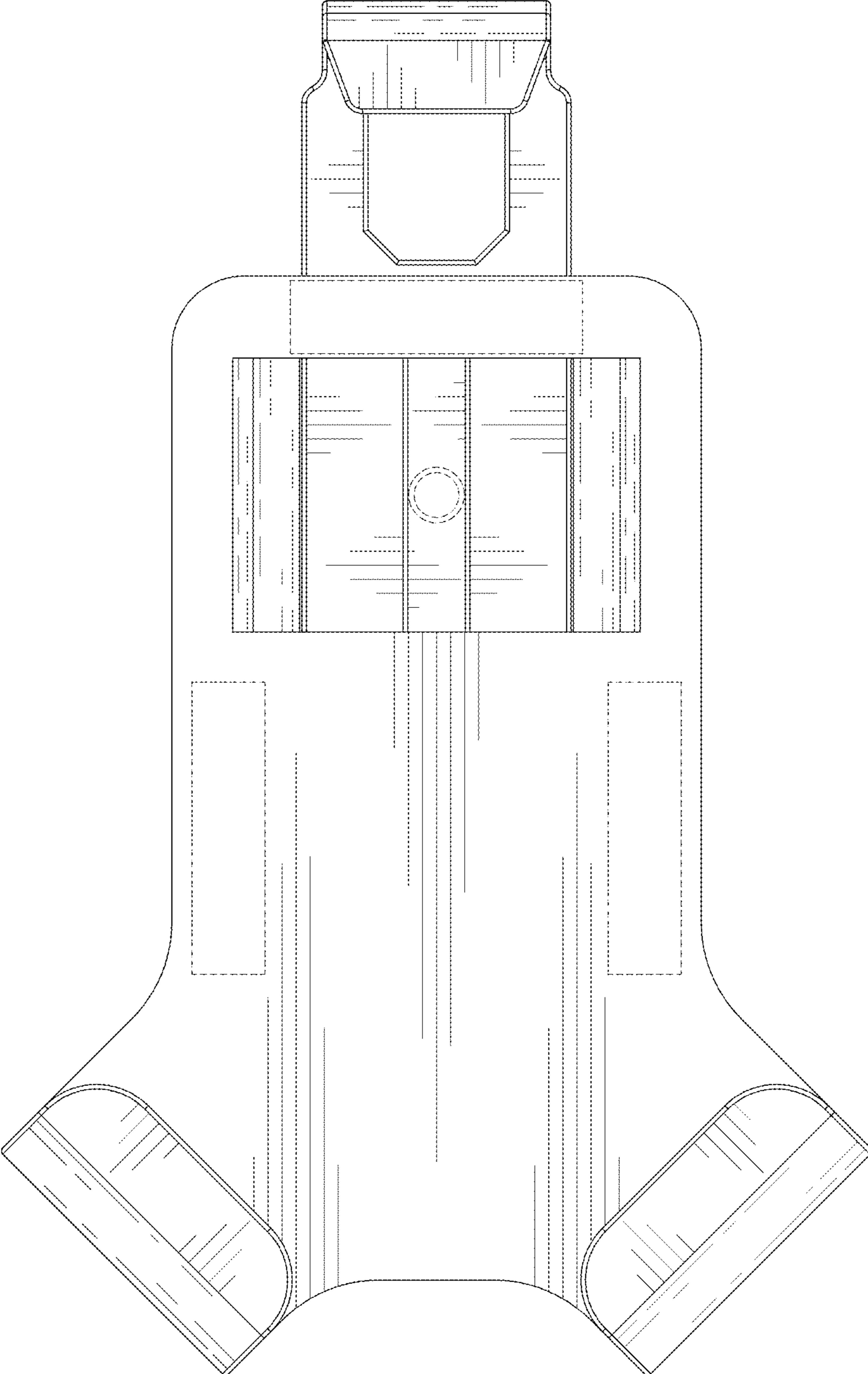


FIG.2

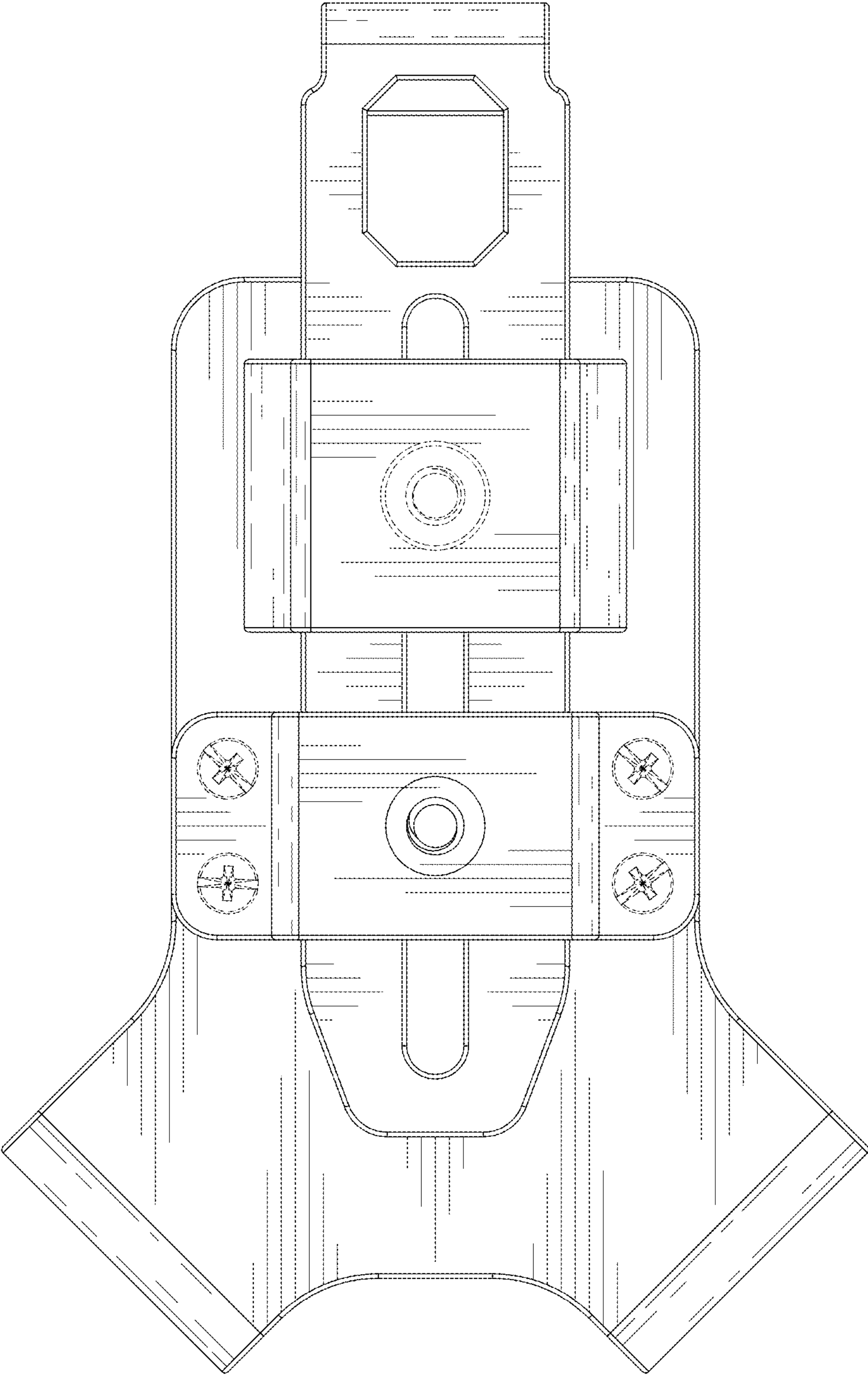


FIG.3

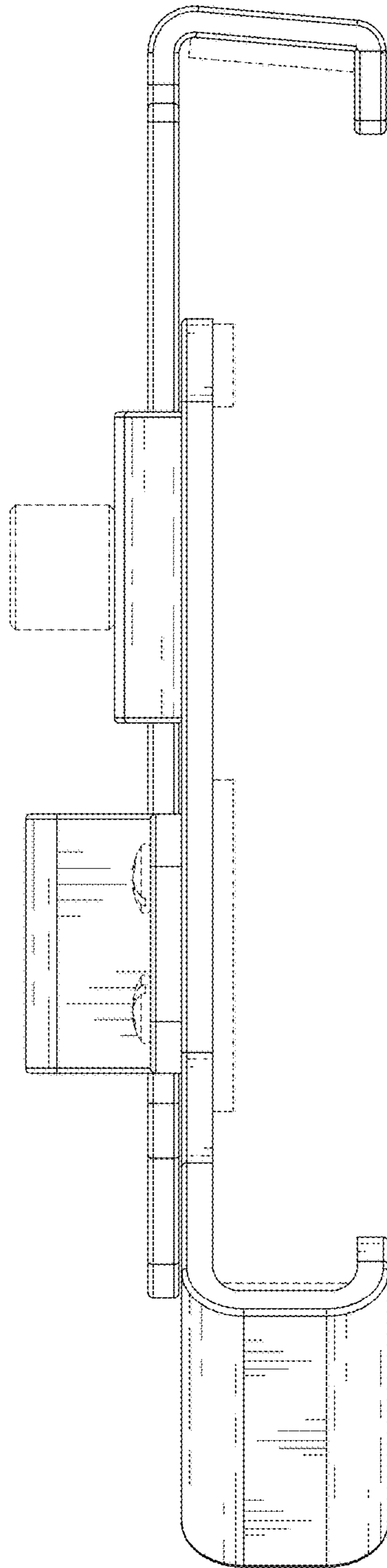


FIG.4

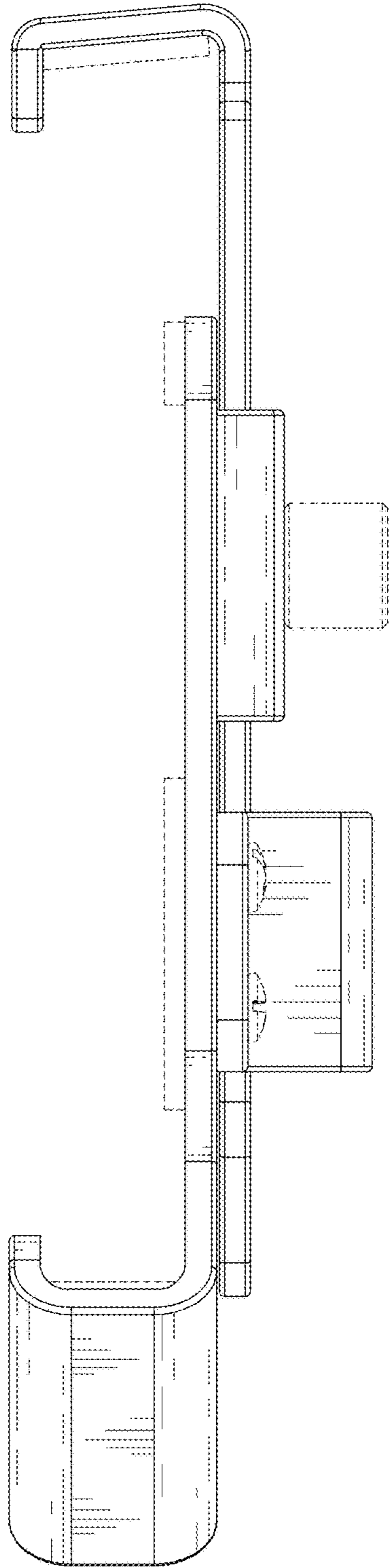


FIG.5

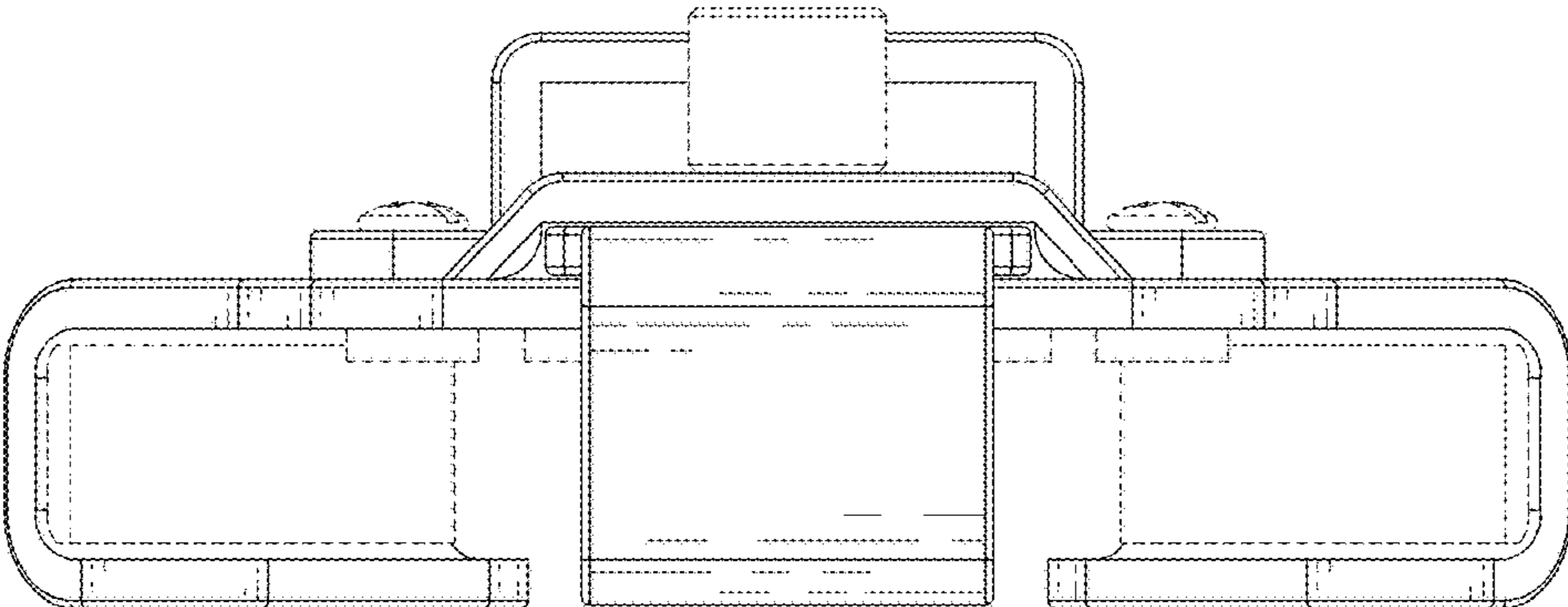


FIG.6

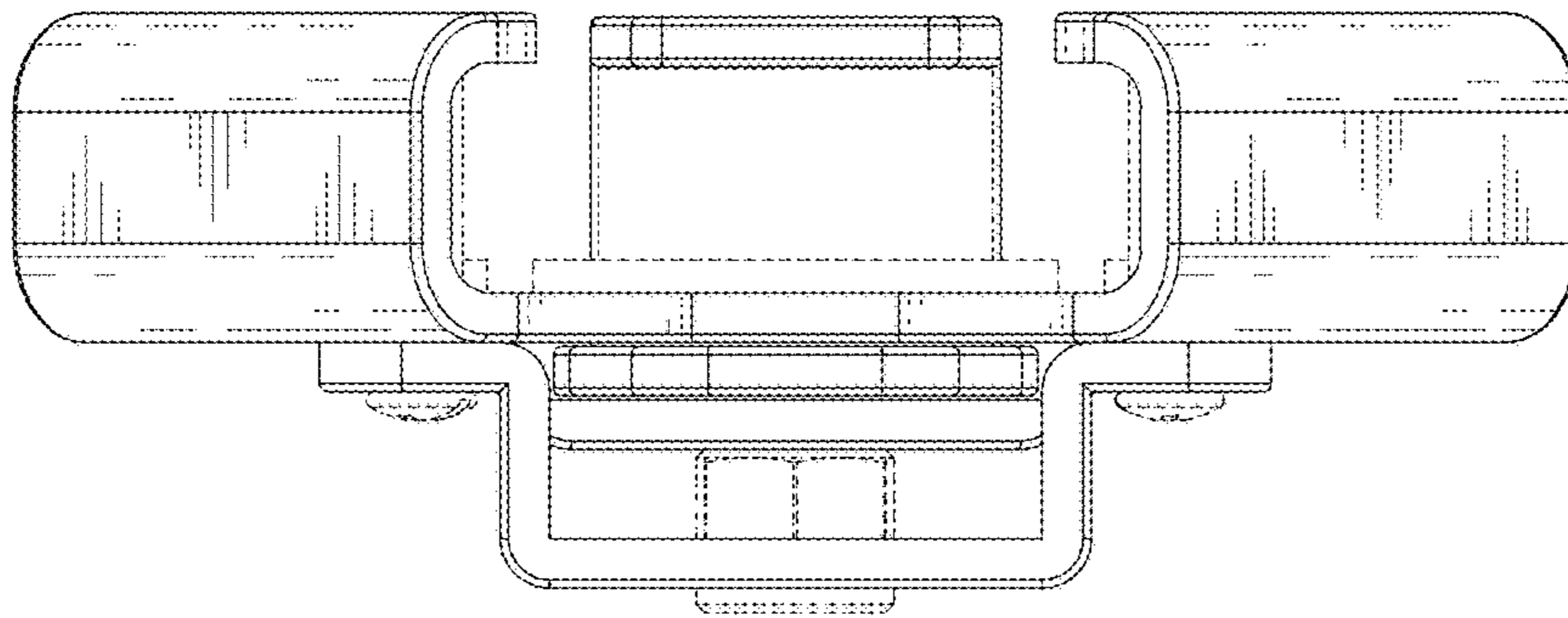


FIG.7

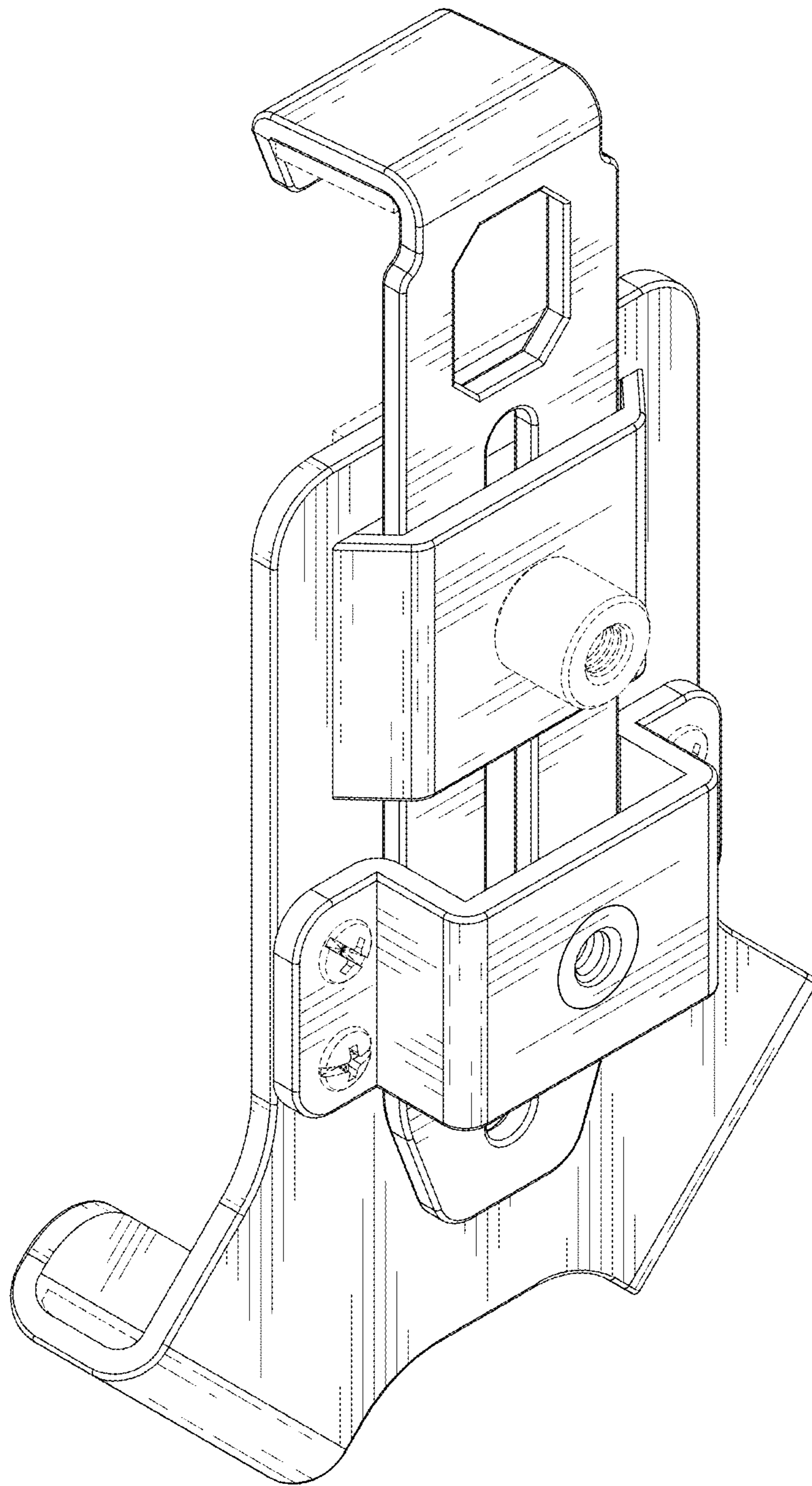


FIG. 8