



US00D829202S

(12) **United States Design Patent** (10) **Patent No.:** **US D829,202 S**  
**Ma** (45) **Date of Patent:** **\*\* Sep. 25, 2018**

(54) **CELL PHONE CASE WITH DETACHABLE ZIPPERED POUCH**

(71) Applicant: **Rong Ma**, Guangzhou (CN)

(72) Inventor: **Rong Ma**, Guangzhou (CN)

(\*\*) Term: **15 Years**

(21) Appl. No.: **29/607,922**

(22) Filed: **Jun. 16, 2017**

(51) **LOC (11) Cl.** ..... **14-03**

(52) **U.S. Cl.**

USPC ..... **D14/250**; D3/249

(58) **Field of Classification Search**

USPC ..... D3/201, 207, 208, 212, 218, 232, 233, D3/239, 242, 245-251, 269, 273, 301, D3/303; D13/103, 107, 108, 119; D14/137, 138 R, 138 AA, 138 C, 138 G, D14/203.3-203.7, 217, 238.1, 247, 248, D14/250, 251-253, 440, 447

CPC ..... H04B 1/3888; H04M 1/0283; H04M 1/0202; A45C 1/06; A45C 2011/002; A45C 23/02; A45C 11/00; A45F 2005/028; A45F 2200/0525; A45F 2200/0518

See application file for complete search history.

(56) **References Cited**

**U.S. PATENT DOCUMENTS**

D368,489 S *	4/1996	Gray	.....	D19/26
D429,563 S *	8/2000	Kurano	.....	D3/226
D460,255 S *	7/2002	Hillman	.....	D3/218
D469,254 S *	1/2003	Johnson	.....	D3/303
D497,051 S *	10/2004	Nieves	.....	D3/301
D654,931 S *	2/2012	Lemelman	.....	D14/496
D670,911 S *	11/2012	Bollinger	.....	D3/301
D688,655 S *	8/2013	Rey-Hipolito	.....	D14/250
8,504,127 B2 *	8/2013	Altschul	.....	H04B 1/3888 206/216

D692,665 S *	11/2013	Willows	.....	D3/303
D703,949 S *	5/2014	Chappell	.....	D3/249
D705,764 S *	5/2014	Thoni	.....	D14/250
D707,965 S *	7/2014	Requa	.....	D3/247
D716,045 S *	10/2014	Requa	.....	D3/249

(Continued)

**OTHER PUBLICATIONS**

iPhone Wallet Case by ZVE, posted at Amazon.com, posting date May 16, 2017, [online], [site visited Jan. 26, 2018]. Available from Internet, <URL: <https://www.amazon.com/ZVE-iPhone-Wallet-Protective-Leather/dp/B077MJTGCG>>.\*

*Primary Examiner* — Susan E Krakower

*Assistant Examiner* — L. A. Grabenstetter

(74) *Attorney, Agent, or Firm* — Novoclaims Patent Services LLC; Mei Lin Wong

(57) **CLAIM**

The ornamental design for a cell phone case with detachable zippered pouch, as shown and described.

**DESCRIPTION**

FIG. 1 is a top, rear, left side perspective view of a cell phone case with detachable zippered pouch showing my new design.

FIG. 2 is a bottom, front, right side perspective view thereof.

FIG. 3 is a front view thereof.

FIG. 4 is a rear view thereof.

FIG. 5 is a left side view thereof.

FIG. 6 is a right side view thereof.

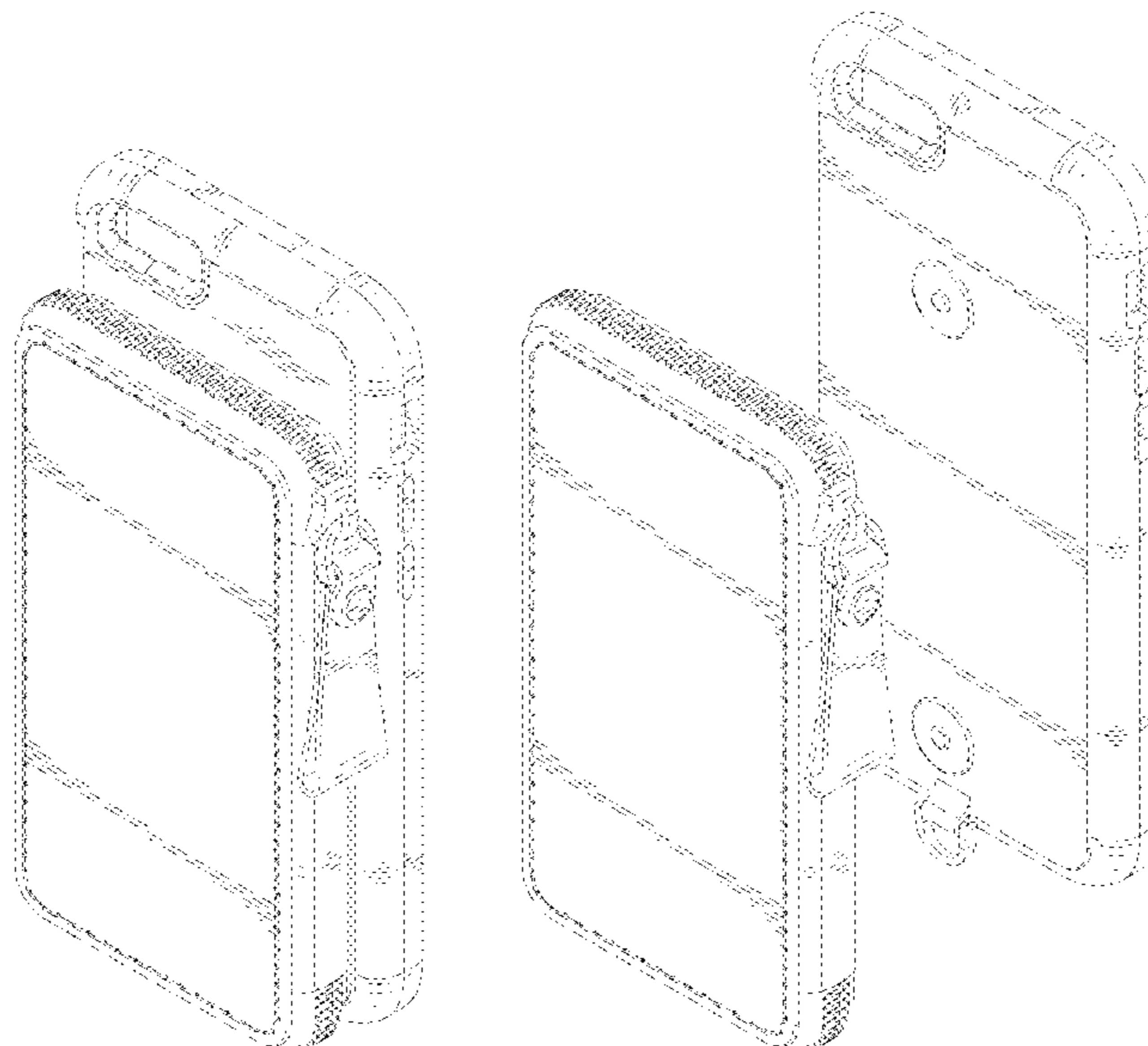
FIG. 7 is a top view thereof.

FIG. 8 is a bottom view thereof.

FIG. 9 is a second, top, rear, left side perspective view thereof, showing the zippered pouch detached from the cell phone case; and,

FIG. 10 is a top, front, right side perspective view thereof, showing the zippered pouch detached from the cell phone case.

**1 Claim, 10 Drawing Sheets**



(56)

**References Cited**

U.S. PATENT DOCUMENTS

D721,689 S \* 1/2015 Altschul ..... H04B 1/3888  
D14/250  
D759,004 S \* 6/2016 Stevinson ..... D14/250  
2014/0083876 A1\* 3/2014 Lin ..... A45C 11/00  
206/37

\* cited by examiner

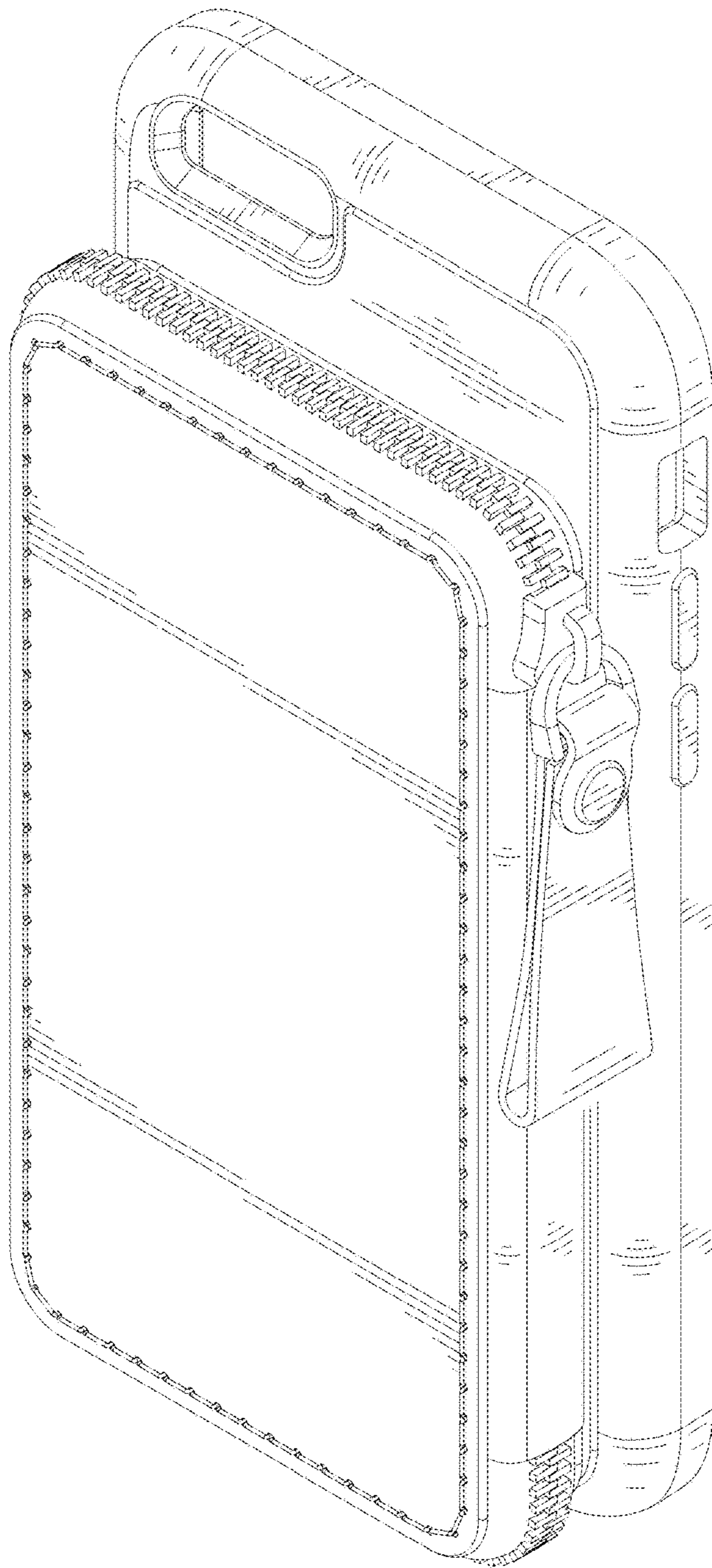


FIG.1

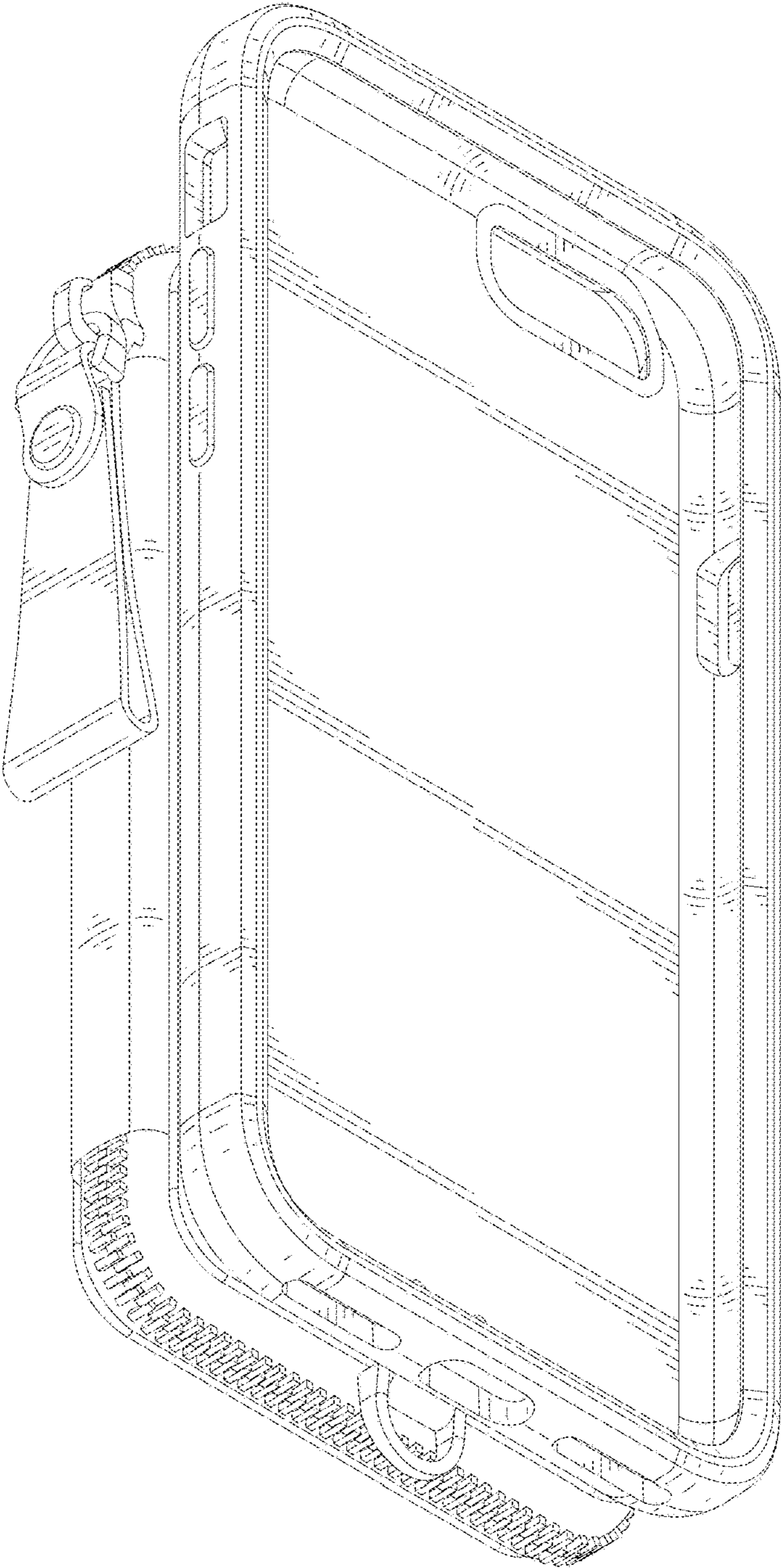


FIG.2

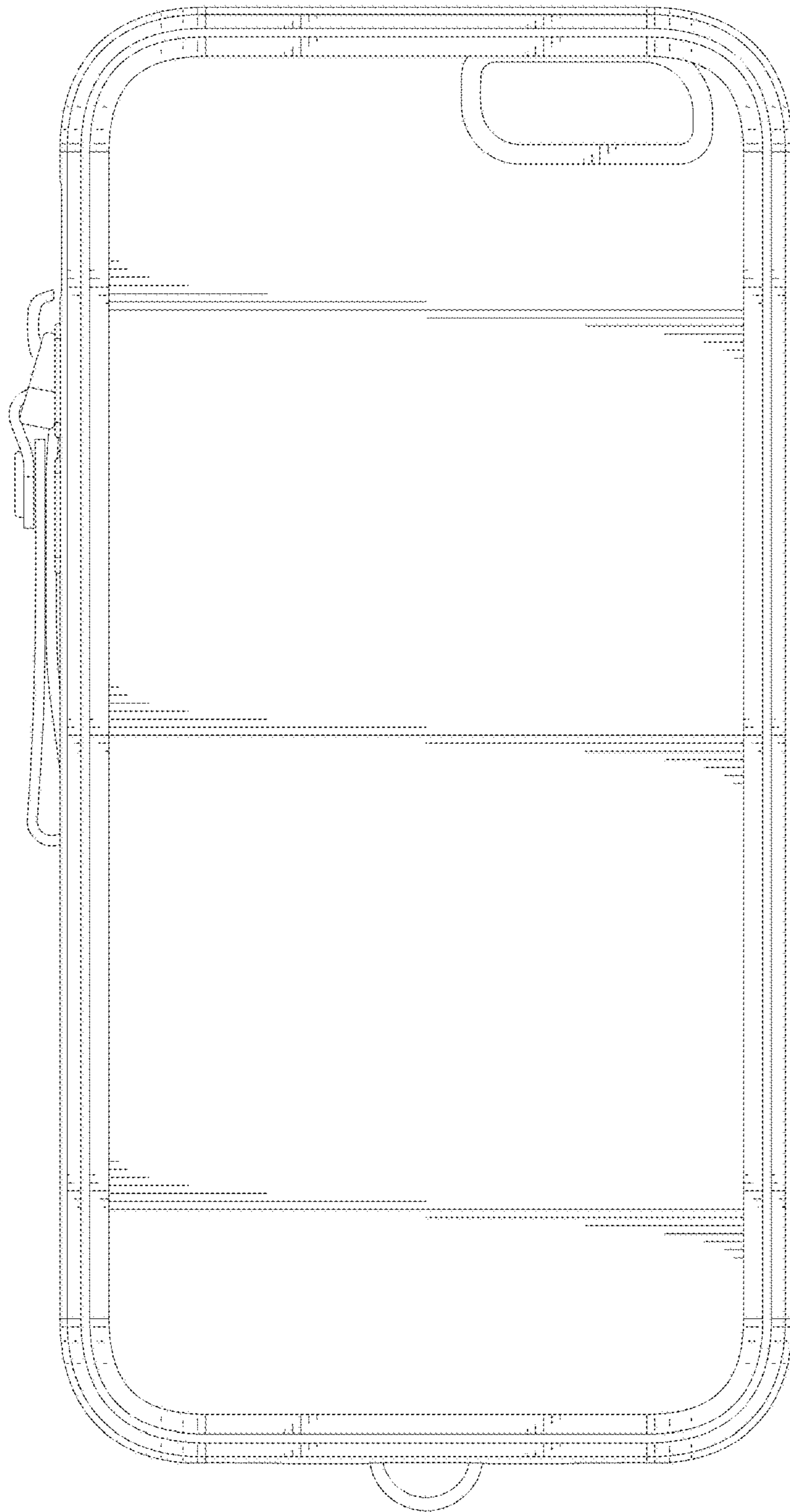


FIG.3

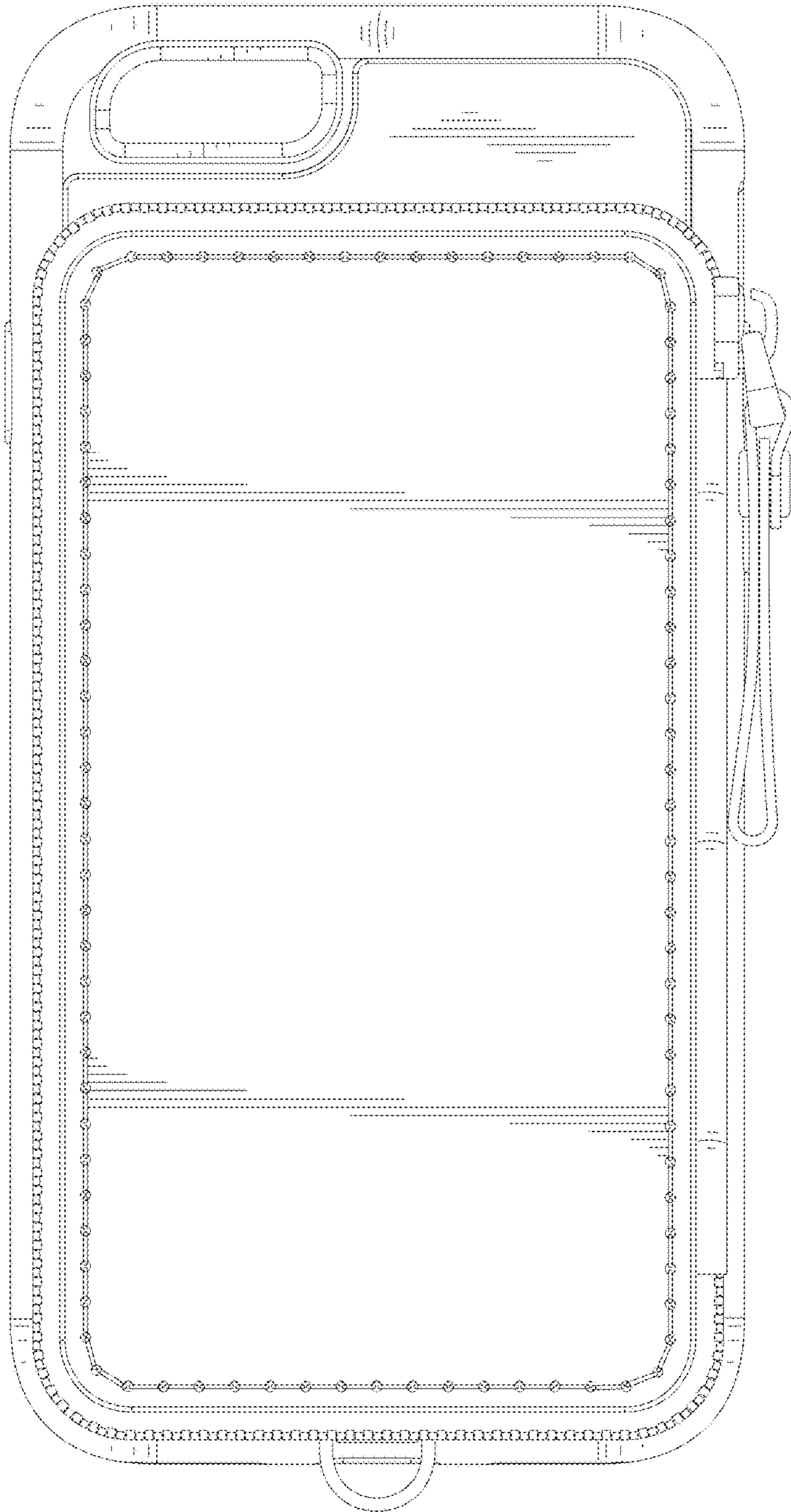


FIG.4

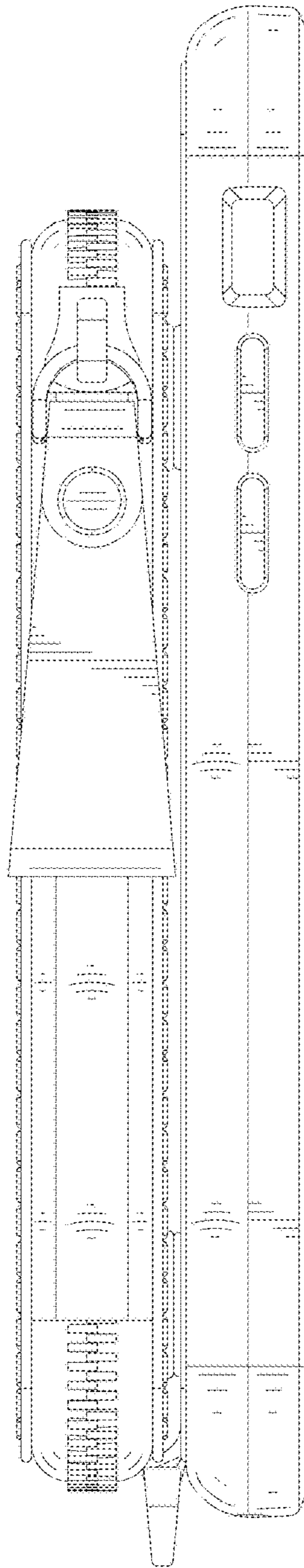


FIG.5

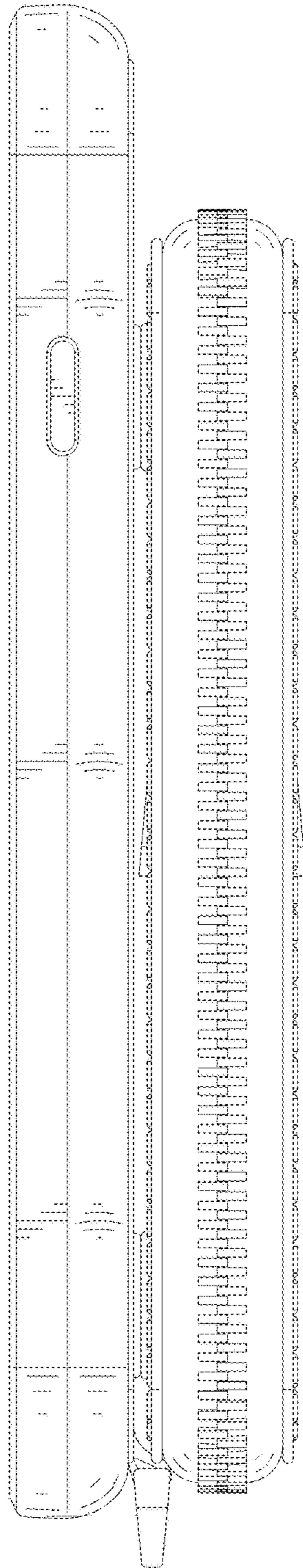


FIG.6



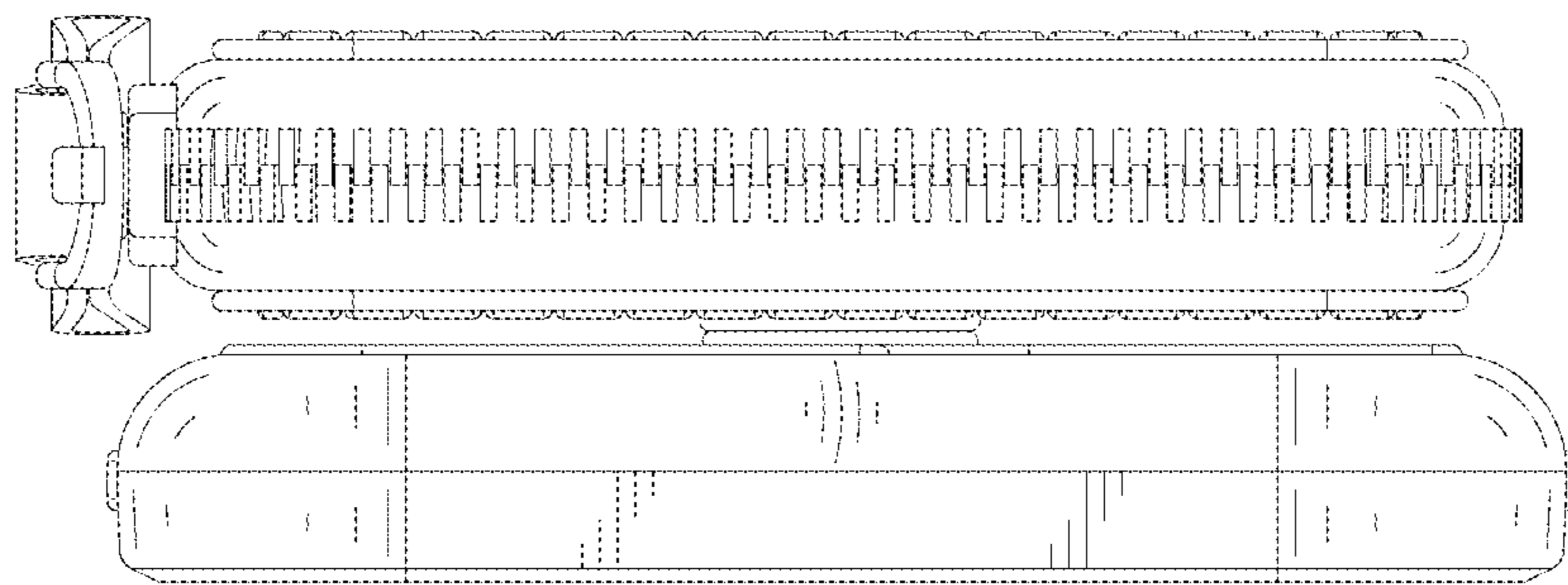


FIG.7

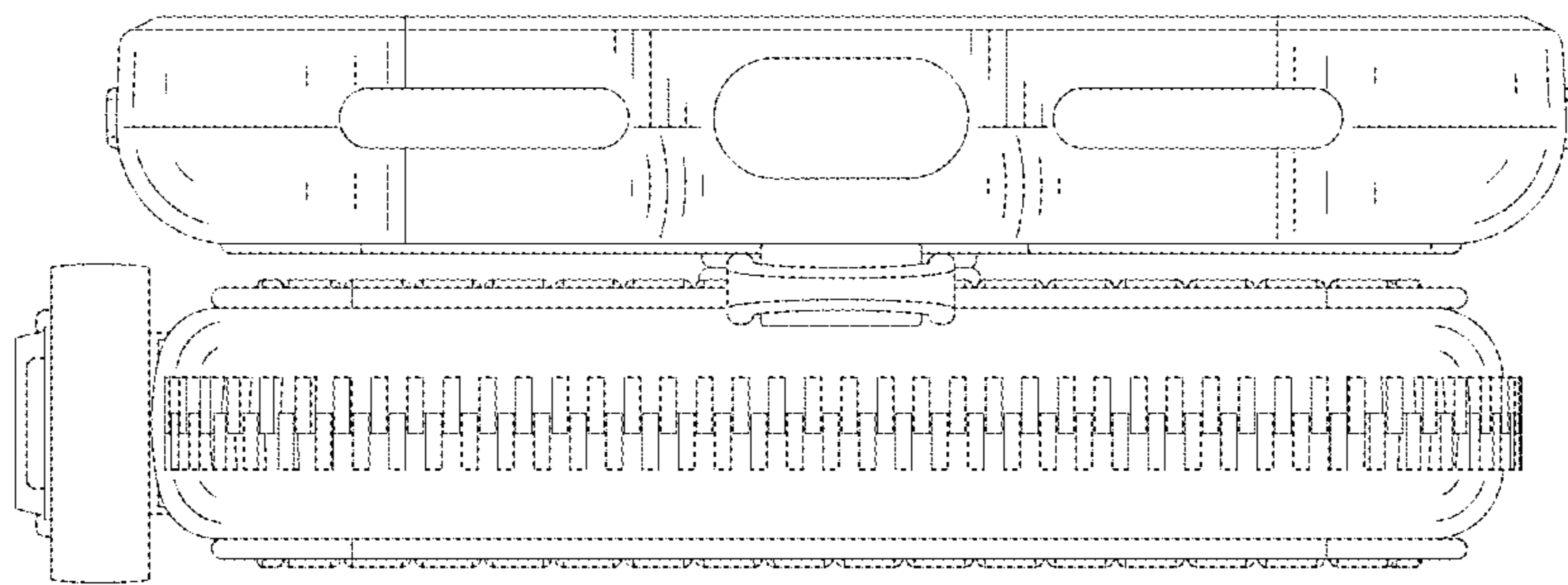


FIG.8

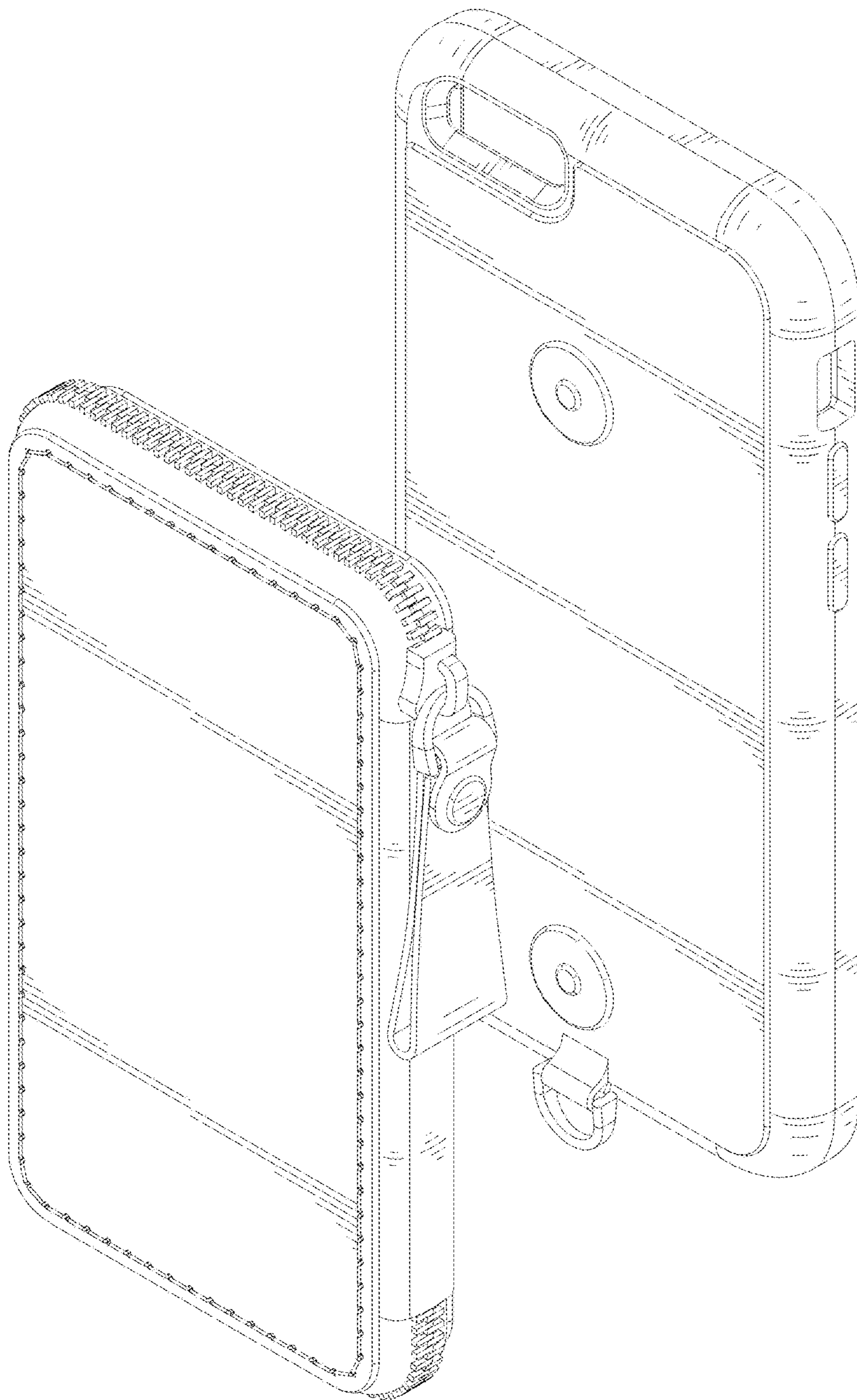


FIG.9



FIG.10