



US00D829199S

(12) **United States Design Patent** (10) **Patent No.:** **US D829,199 S**  
**Igarashi** (45) **Date of Patent:** **\*\* Sep. 25, 2018**

(54) **CASE FOR PROTECTING A MOBILE DEVICE**

(71) Applicant: **Power Support Co., Ltd.**, Tokyo (JP)

(72) Inventor: **Katsushi Igarashi**, Tokyo (JP)

(73) Assignee: **Power Support Co., Ltd.**, Tokyo (JP)

(\*\*) Term: **15 Years**

(21) Appl. No.: **29/568,288**

(22) Filed: **Jun. 16, 2016**

(30) **Foreign Application Priority Data**

Dec. 17, 2015 (JP) ..... 2015-28149

Dec. 17, 2015 (JP) ..... 2015-28150

(Continued)

(51) **LOC (11) Cl.** ..... **14-03**

(52) **U.S. Cl.**  
USPC ..... **D14/250**

(58) **Field of Classification Search**  
USPC ..... D14/250, 300, 341, 478, 480.1, 507,  
D14/203.1, 203.3, 203.6, 203.7, 238.1;  
455/575.8

(Continued)

(56) **References Cited**

**U.S. PATENT DOCUMENTS**

5,134,817 A 8/1992 Richardt

5,265,720 A 11/1993 Meliconi

(Continued)

**FOREIGN PATENT DOCUMENTS**

JP 3186391 U 9/2013

**OTHER PUBLICATIONS**

iPod Nano PC Review, posted at pcreview.co.uk, posting date not given, [online], [site visited Aug. 10, 2017]. Available from Internet, URL: <https://www.pcreview.co.uk/articles/ipodnano.37/>.\*

iPod Nano (Product) Red, posted at applematters.com, posting date Oct. 16, 2017, [online], [site visited Aug. 10, 2017]. Available from Internet, URL: <http://www.applematters.com/article/ipodnanoproductredreview/>.\*

(Continued)

*Primary Examiner* — George D. Kirschbaum

*Assistant Examiner* — Maria J Edwards

(74) *Attorney, Agent, or Firm* — Maier & Maier, PLLC

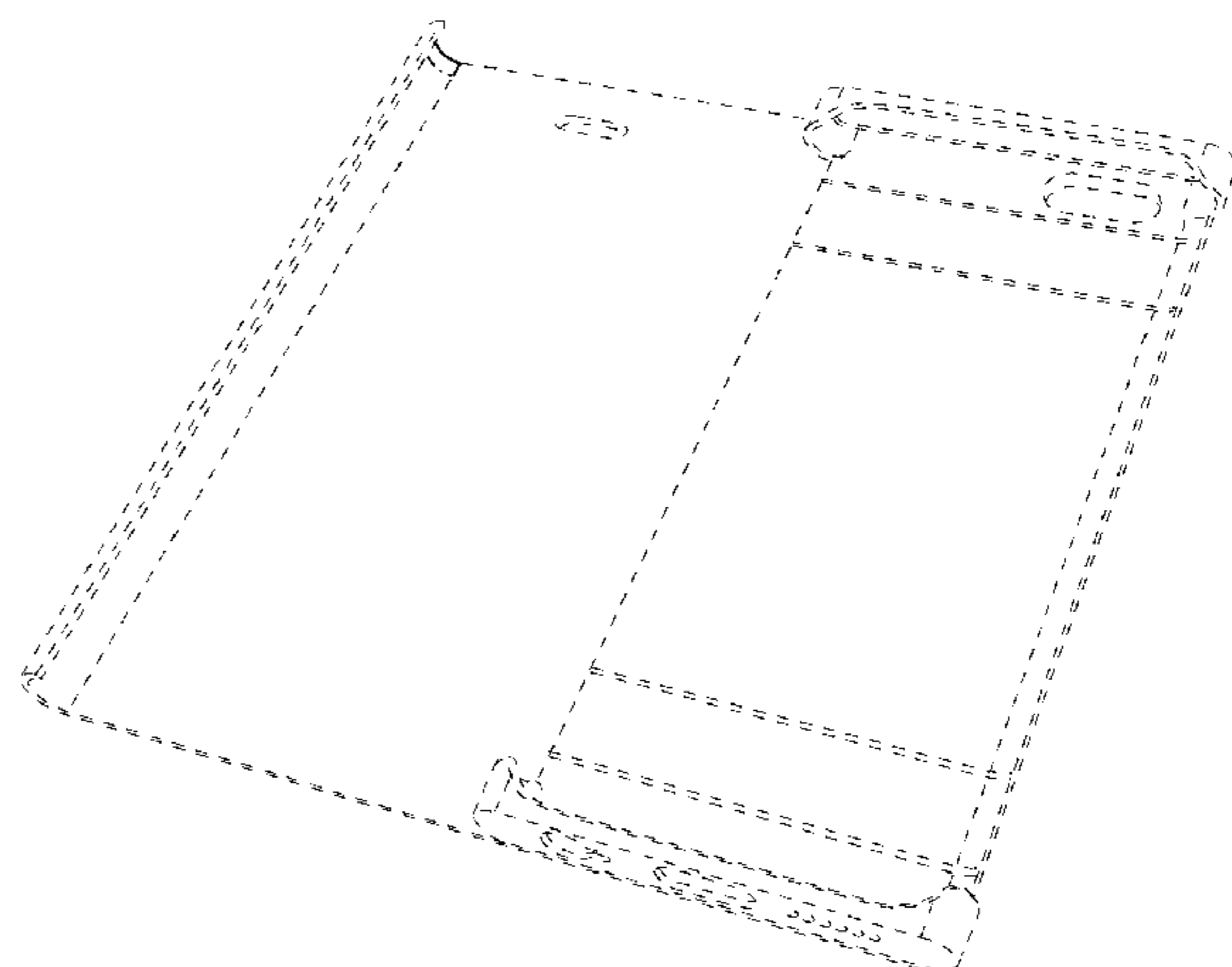
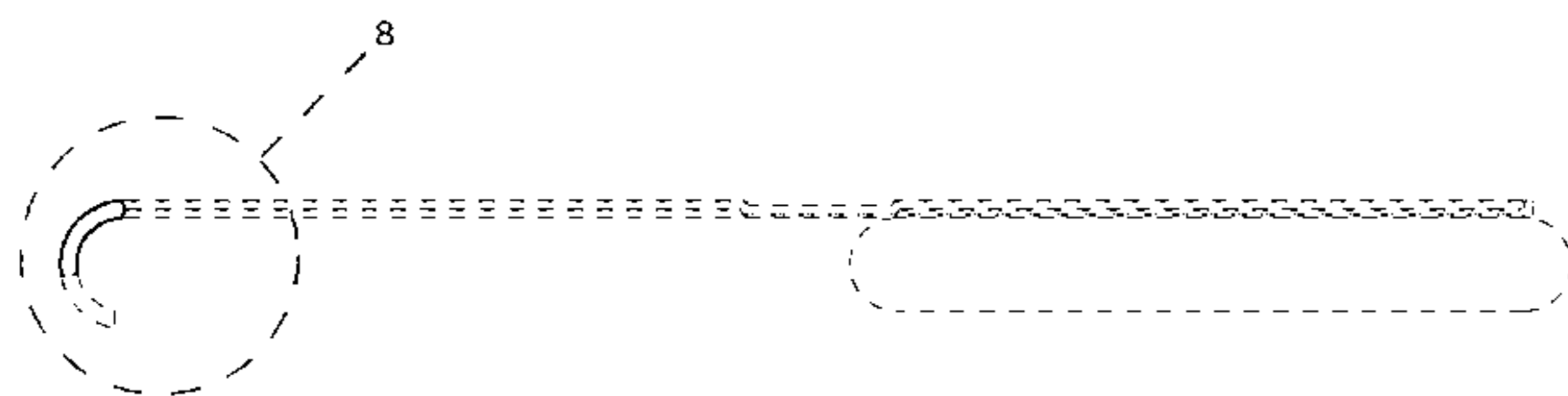
(57) **CLAIM**

The ornamental design for a case for protecting a mobile device, as shown and described.

**DESCRIPTION**

FIG. 1 is a front elevation view of a first embodiment of a case for protecting a mobile device; FIG. 2 is a rear elevation view thereof; FIG. 3 is a right elevation view thereof; FIG. 4 is a left elevation view thereof; FIG. 5 is a top plan view thereof; FIG. 6 is a bottom plan view thereof; FIG. 7 is a magnified front view thereof, shown in FIG. 1; FIG. 8 is a magnified top view thereof, shown in FIG. 5; FIG. 9 is a front perspective view thereof; FIG. 10 is a front elevation view of a second embodiment of a case for protecting a mobile device; FIG. 11 is a rear elevation view thereof; FIG. 12 is a right elevation view thereof; FIG. 13 is a left elevation view thereof; FIG. 14 is a top plan view thereof; FIG. 15 is a bottom plan view thereof; FIG. 16 is a magnified top view thereof, shown in FIG. 14; and, FIG. 17 is a front perspective view thereof. The dashed broken lines in the figures illustrate portions of the article and form no part of the claimed design. The dot-dash broken lines in the Figures illustrate a boundary line. The boundary lines and the area outside the boundary lines form no part of the claimed design.

**1 Claim, 10 Drawing Sheets**



(30) **Foreign Application Priority Data**

Dec. 17, 2015 (JP) ..... 2015-28151  
 Dec. 17, 2015 (JP) ..... 2015-28152

(58) **Field of Classification Search**

CPC ..... A45C 11/00; A45C 2011/002  
 See application file for complete search history.

(56) **References Cited**

U.S. PATENT DOCUMENTS

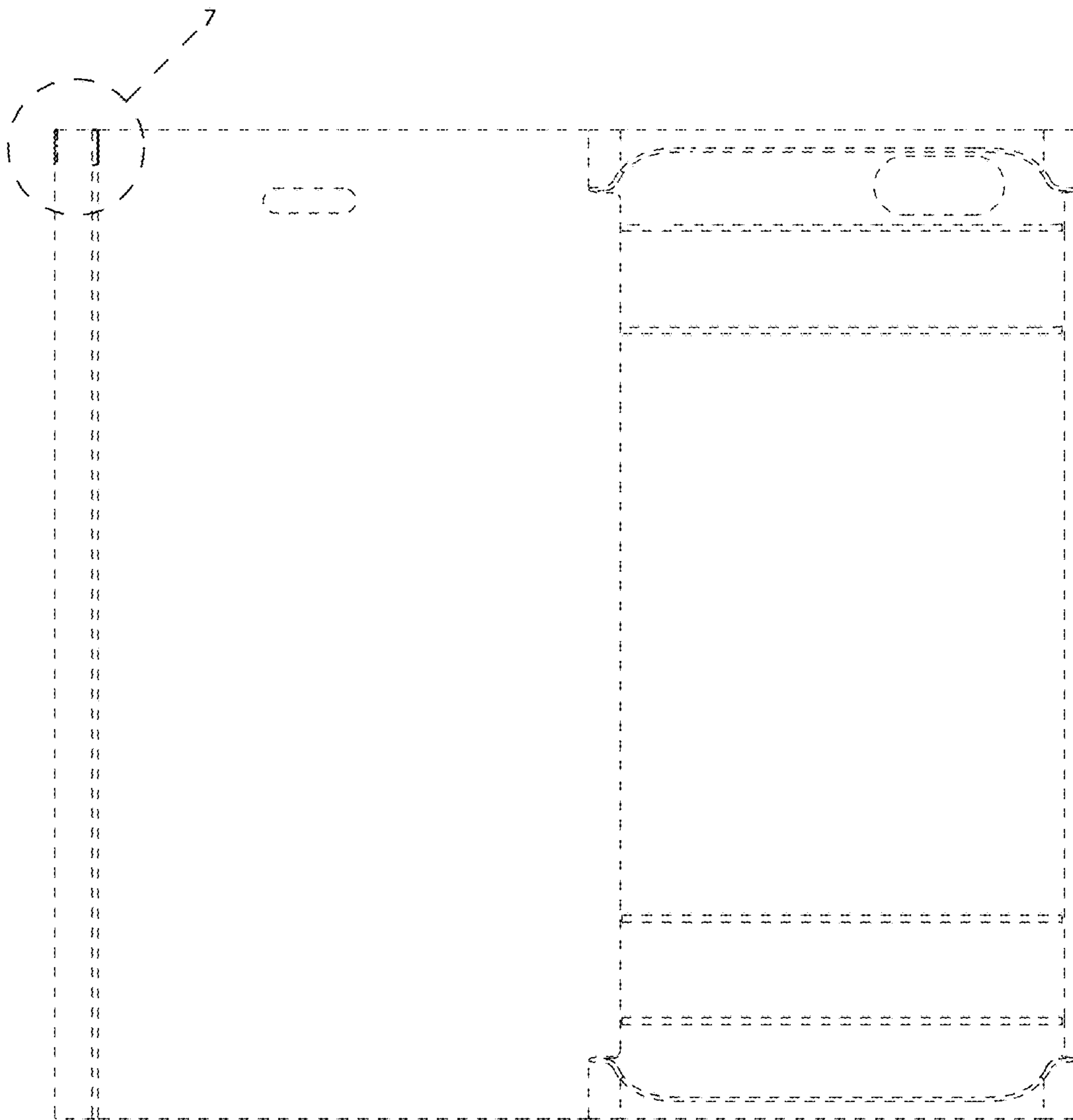
D385,872 S \* 11/1997 Nakamura ..... D14/374  
 D409,394 S \* 5/1999 Zaidman  
 D441,735 S \* 5/2001 Katayama ..... D14/203.3  
 D506,476 S \* 6/2005 Andre ..... D14/203.7  
 D539,814 S \* 4/2007 Andre ..... D14/203.3  
 D576,432 S \* 9/2008 Siekmann  
 D590,826 S \* 4/2009 Andre ..... D14/341  
 7,536,825 B2 \* 5/2009 Perotti  
 D593,994 S \* 6/2009 Andre ..... D14/203.7  
 D597,090 S \* 7/2009 Bemelmans ..... D14/341  
 7,609,512 B2 \* 10/2009 Richardson  
 D637,583 S \* 5/2011 Beal ..... D14/217  
 D638,030 S \* 5/2011 Akana ..... D14/203.3  
 D638,443 S \* 5/2011 Akana ..... D14/203.3  
 D647,921 S \* 11/2011 Akana ..... D14/203.3  
 D649,268 S \* 11/2011 Wink  
 8,073,131 B2 \* 12/2011 Bodkin et al.  
 D653,675 S \* 2/2012 Akana ..... D14/203.3  
 D656,123 S \* 3/2012 Andre ..... D14/203.7  
 D656,497 S \* 3/2012 Chiu ..... D14/341  
 D656,955 S \* 4/2012 Akana ..... D14/203.3  
 D657,381 S \* 4/2012 Akana ..... D14/203.3  
 D663,320 S \* 7/2012 Akana ..... D14/203.3  
 D663,554 S \* 7/2012 Siekmann  
 D664,994 S \* 8/2012 Akana ..... D14/203.3  
 D664,995 S \* 8/2012 Akana ..... D14/203.3  
 D669,915 S \* 10/2012 Akana ..... D14/203.3  
 D678,909 S \* 3/2013 Akana ..... D14/203.3

8,509,865 B1 \* 8/2013 LaColla et al.  
 D697,507 S \* 1/2014 Yu ..... D14/341  
 D706,300 S \* 6/2014 Akana ..... D14/341  
 D716,253 S \* 10/2014 Lee ..... D14/138 AB  
 9,077,436 B1 \* 7/2015 Liu ..... H04B 1/3888  
 9,223,346 B2 \* 12/2015 Wilson  
 D746,801 S \* 1/2016 Pan  
 D750,617 S \* 3/2016 Akana ..... D14/341  
 D754,656 S \* 4/2016 Cheng ..... D14/341  
 D755,153 S \* 5/2016 Steiner et al.  
 D756,996 S \* 5/2016 Akana ..... D14/341  
 D757,714 S \* 5/2016 Akana ..... D14/341  
 D757,716 S \* 5/2016 Park ..... D14/341  
 D761,251 S \* 7/2016 Senda ..... D14/341  
 D780,179 S \* 2/2017 Bae ..... D14/138 G  
 D784,322 S \* 4/2017 Kim ..... D14/341  
 D784,323 S \* 4/2017 Kim ..... D14/341  
 D789,925 S \* 6/2017 Browning ..... D14/341  
 2007/0225031 A1 \* 9/2007 Bodkin et al.

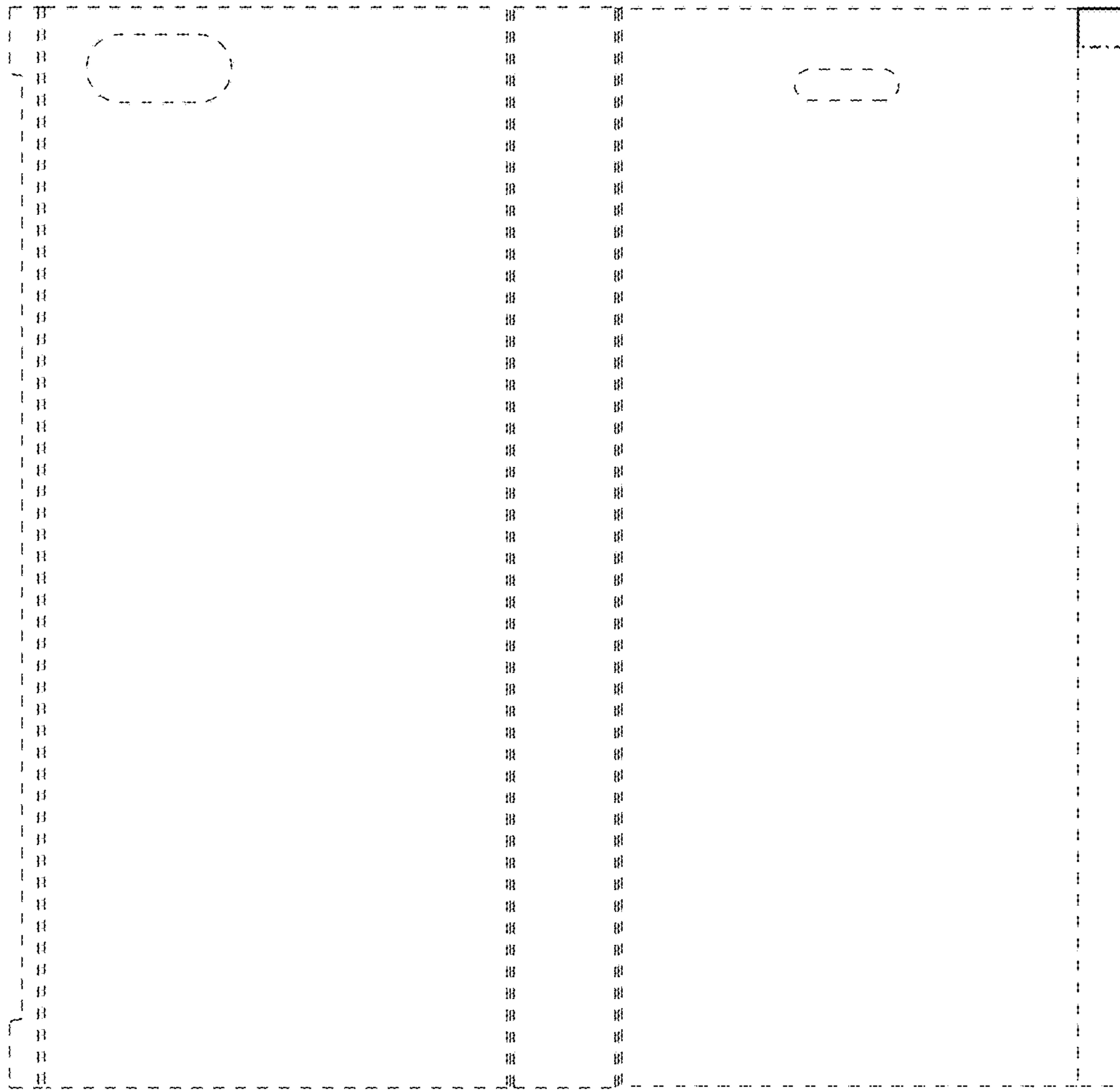
OTHER PUBLICATIONS

Apple 1GB Ipod Shuffle, posted at moderndesign.com, posting date Nov. 2006, [online], [site visited Aug. 10, 2017]. Available from Internet, URL: <http://www.moderndesign.org/2006/11/>.  
 Japanese Office Action dated Aug. 9, 2016, in connection with corresponding JP Application No. 2015-028153 (4 pgs., including English translation).  
 Webpage: <https://9to5mac.com/2015/04/11/review-mophies-juice-packs-for-iphone-6-6-plus-are-polished-battery-cases-at-premium-prices/>, "Review: Mophie's Juice Packs for iPhone 6+6 Plus are polished battery cases at premium prices", dated Jul. 27, 2017, 13 pgs.  
 Webpage: <https://codpile.com/gear-magazine/slimclip-minimalist-iphone-case-enhanced-clip-capabilities/attachment/wonderful-things-factory-slipcase-minimalist-iphon...>, Wonderful Things Factory Slipcase Minimalist iPhone Case-Red Case—inside, dated Jul. 28, 2017, 3 pgs.

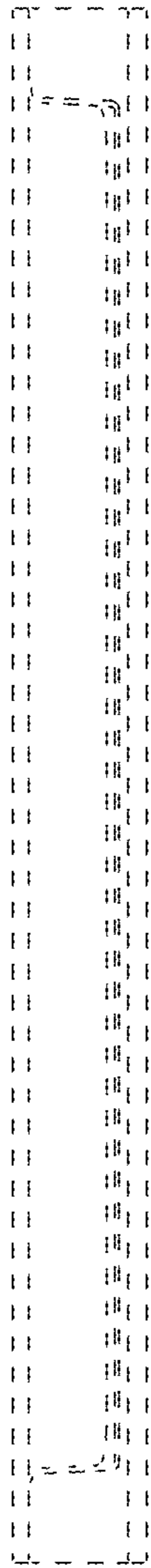
\* cited by examiner



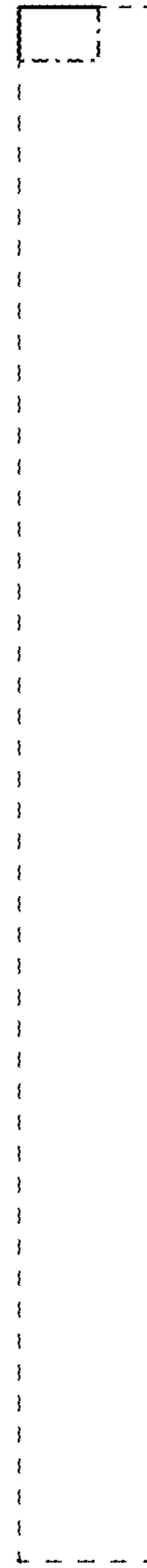
*Fig. 1*



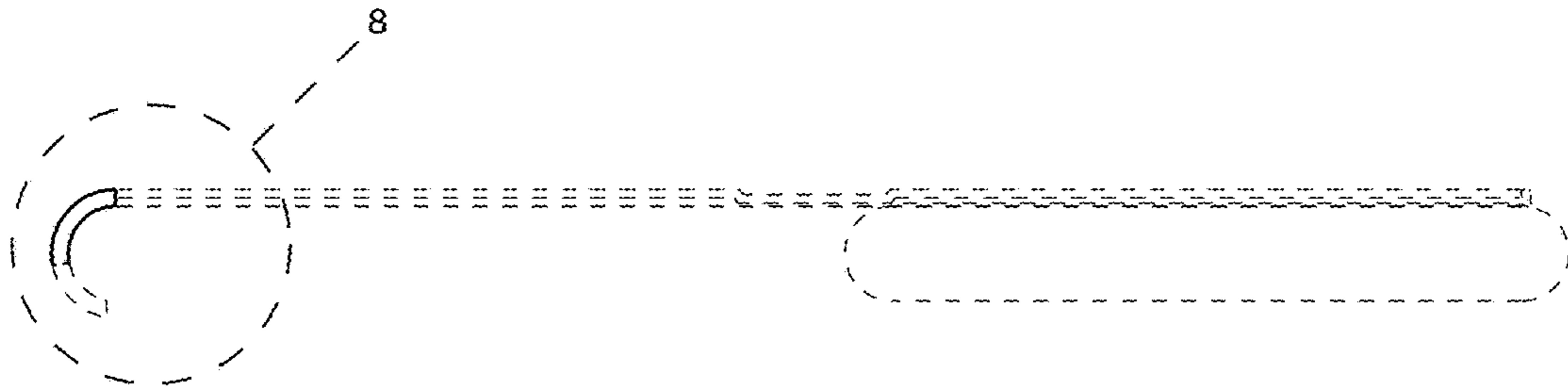
*Fig. 2*



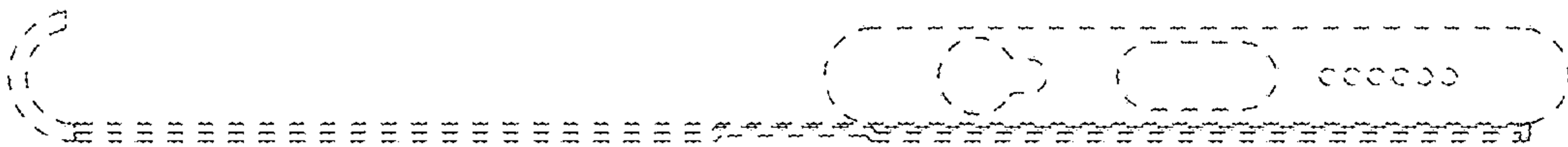
*Fig. 3*



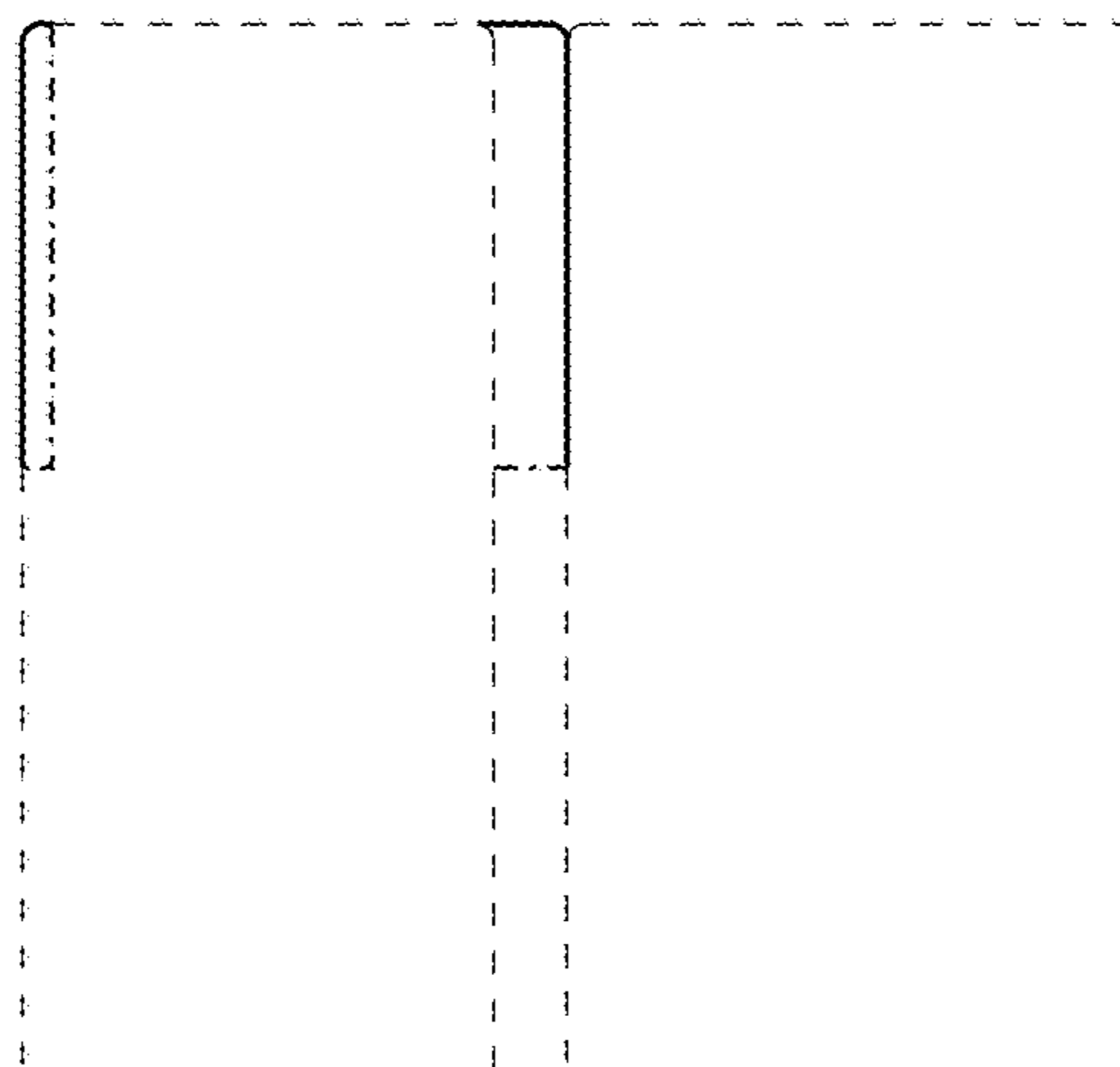
*Fig. 4*



*Fig. 5*



*Fig. 6*



*Fig. 7*

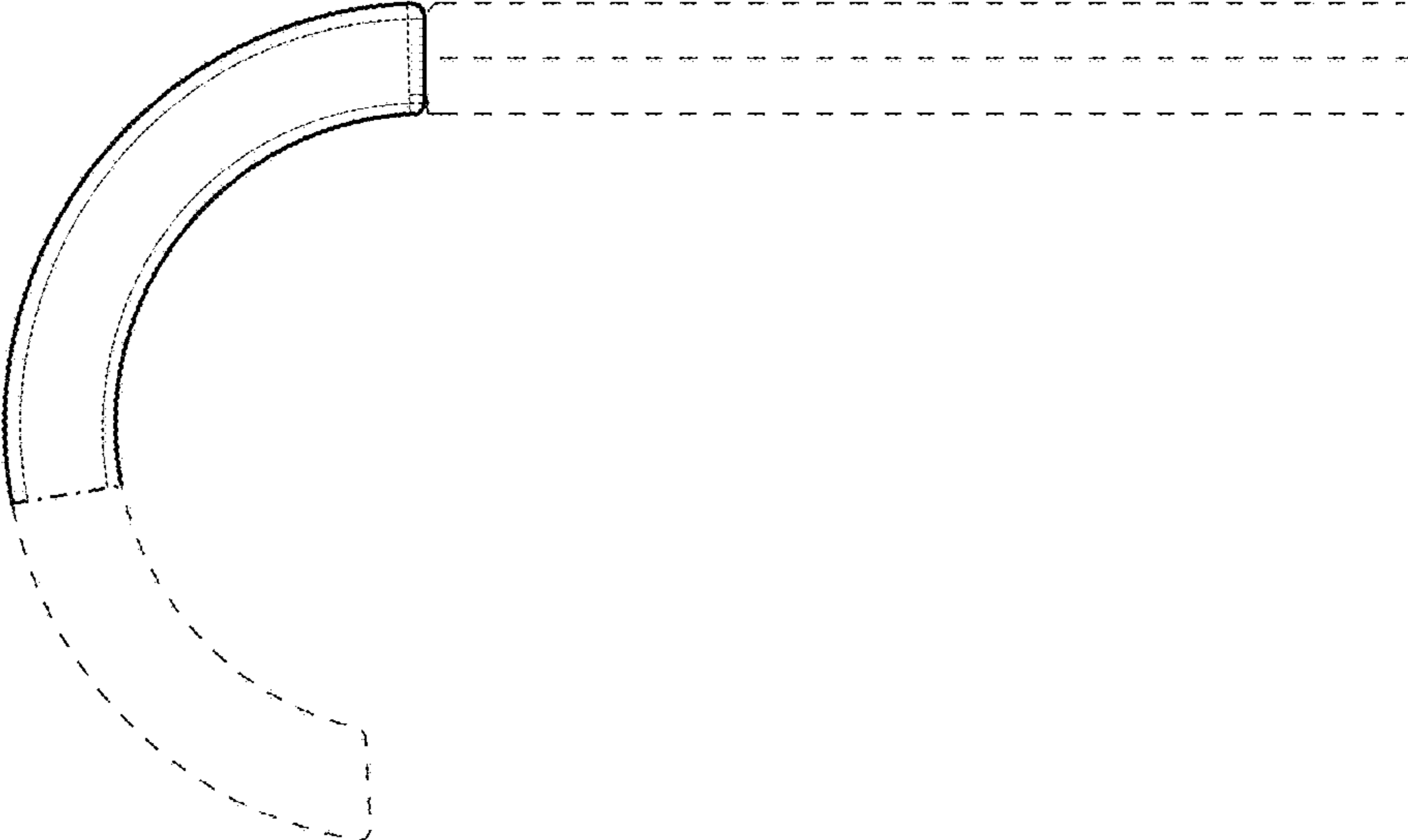


Fig. 8

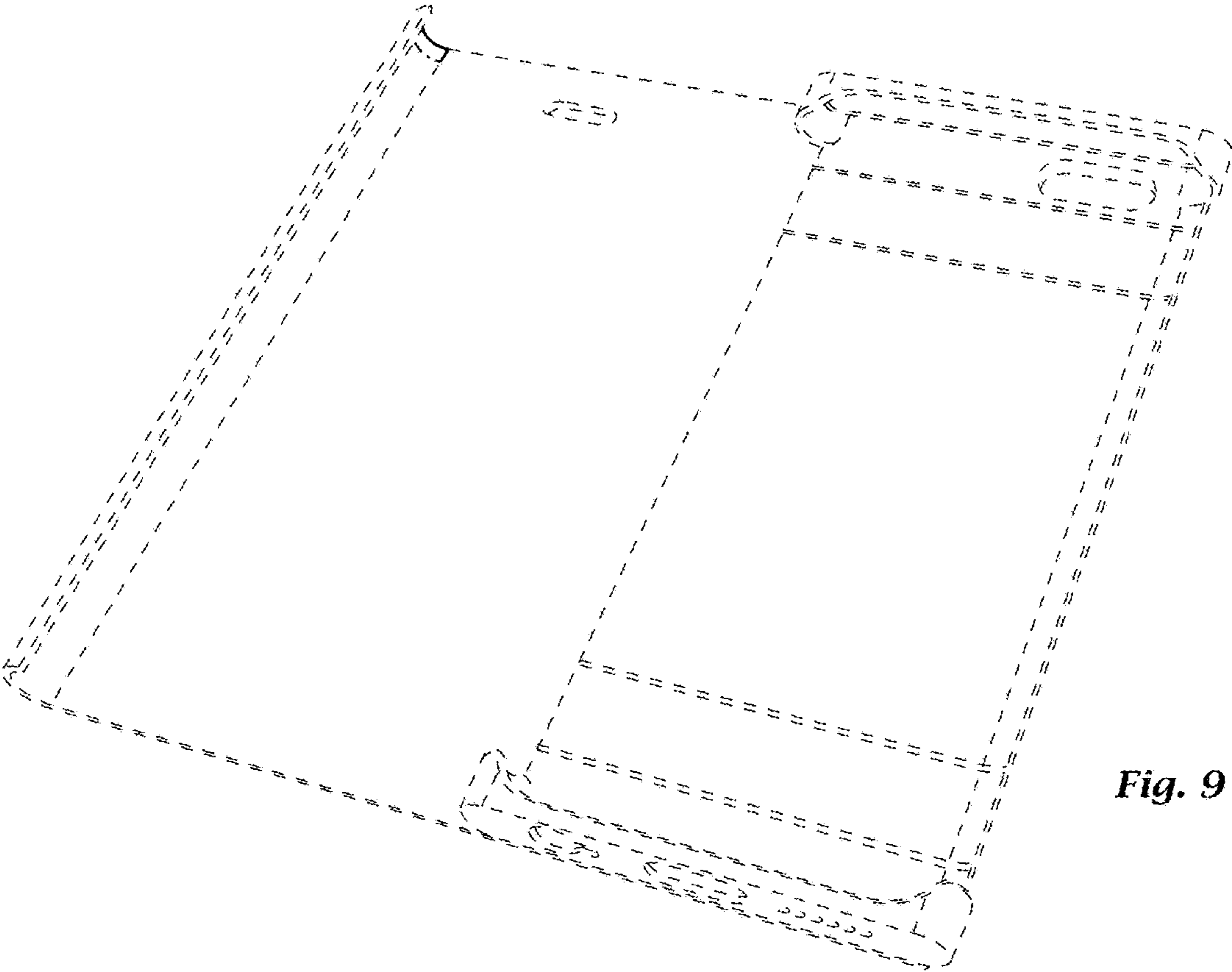
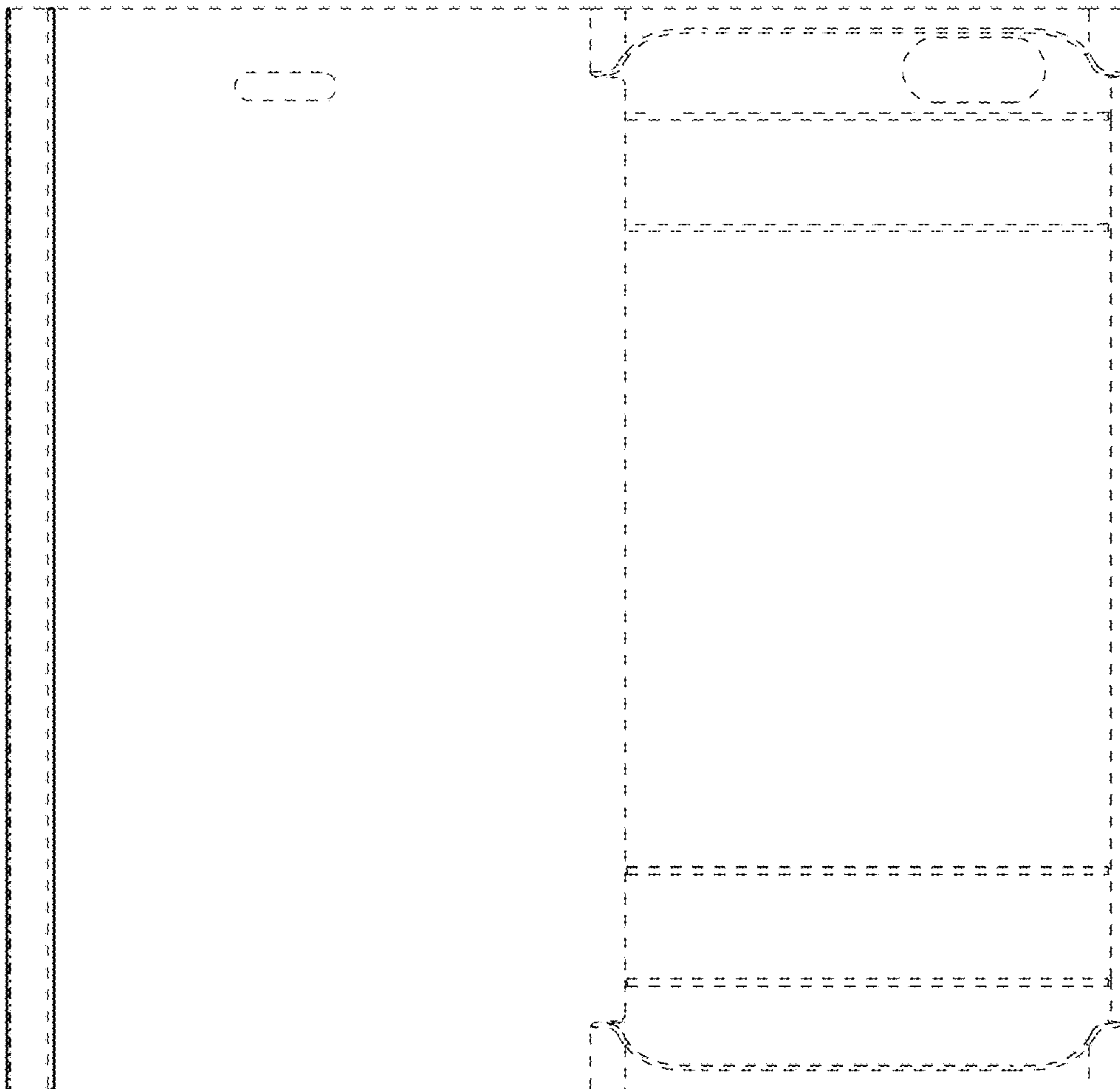
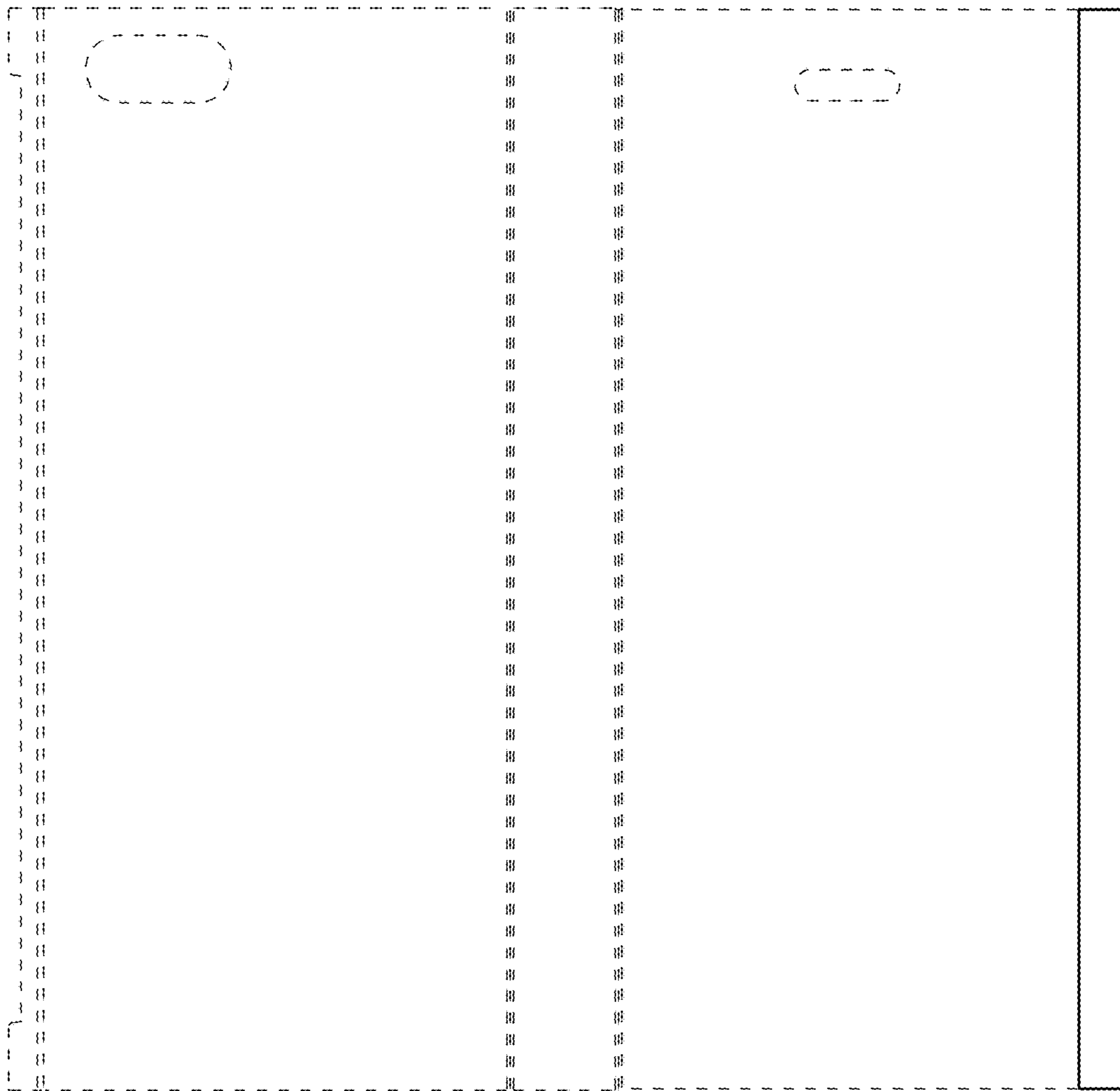


Fig. 9

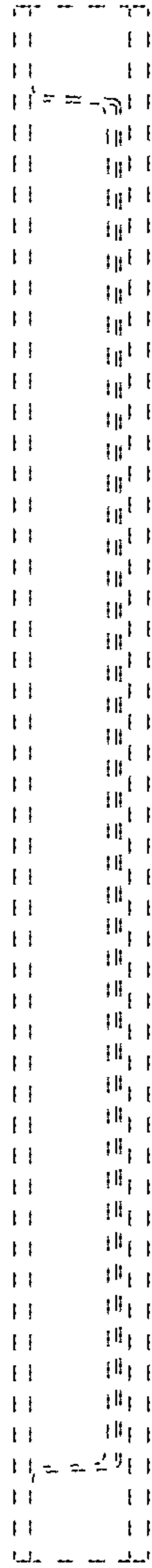


*Fig. 10*

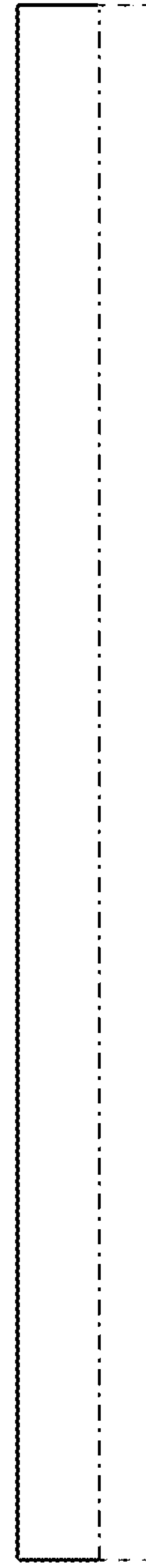




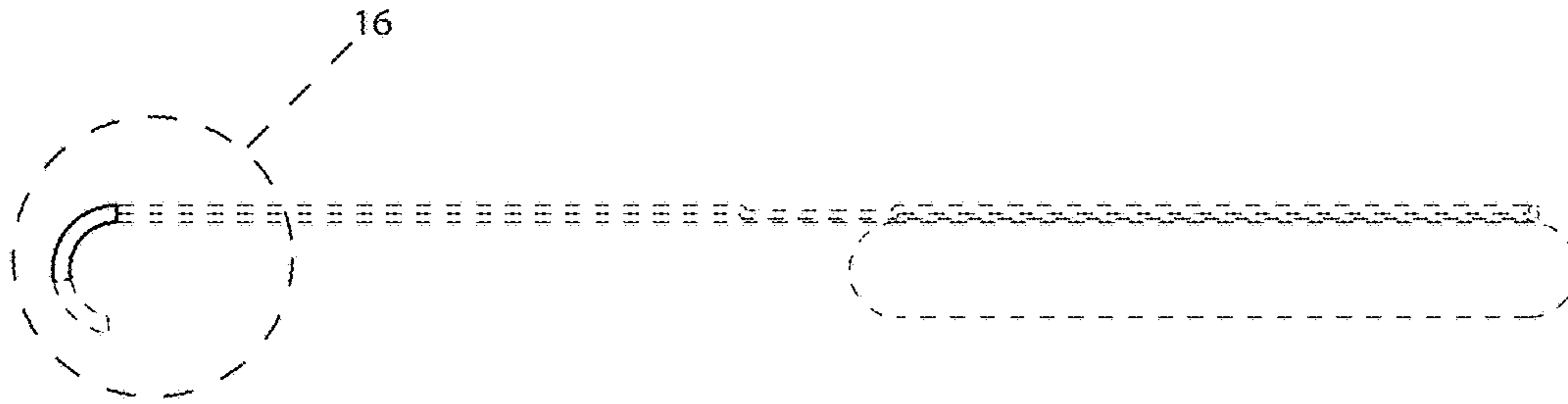
*Fig. 11*



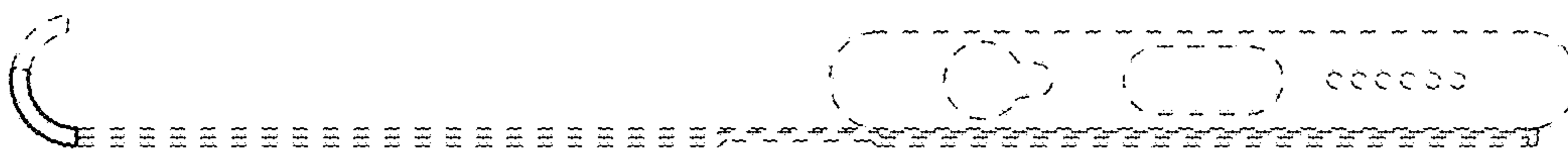
*Fig. 12*



*Fig. 13*



*Fig. 14*



*Fig. 15*

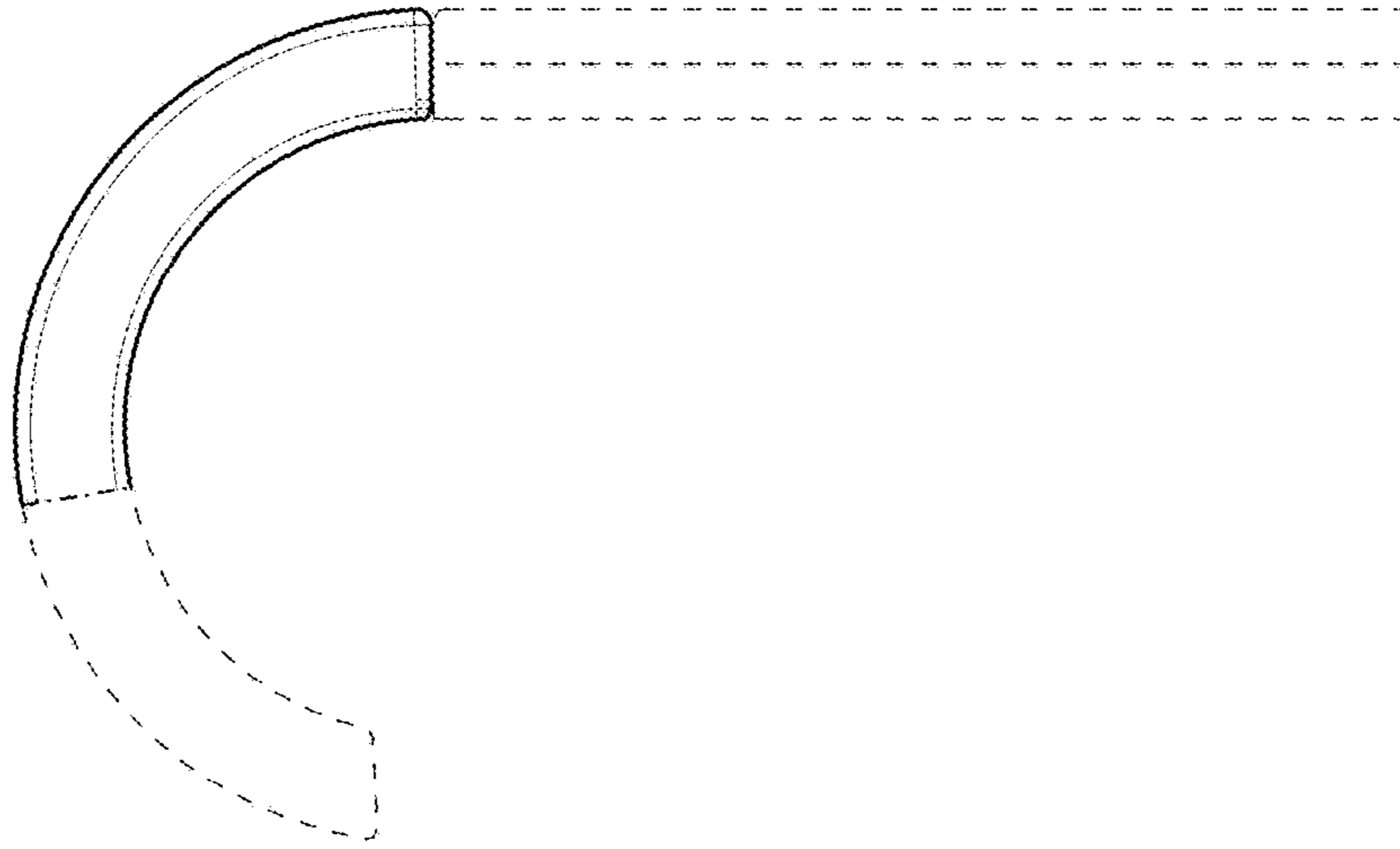


Fig. 16

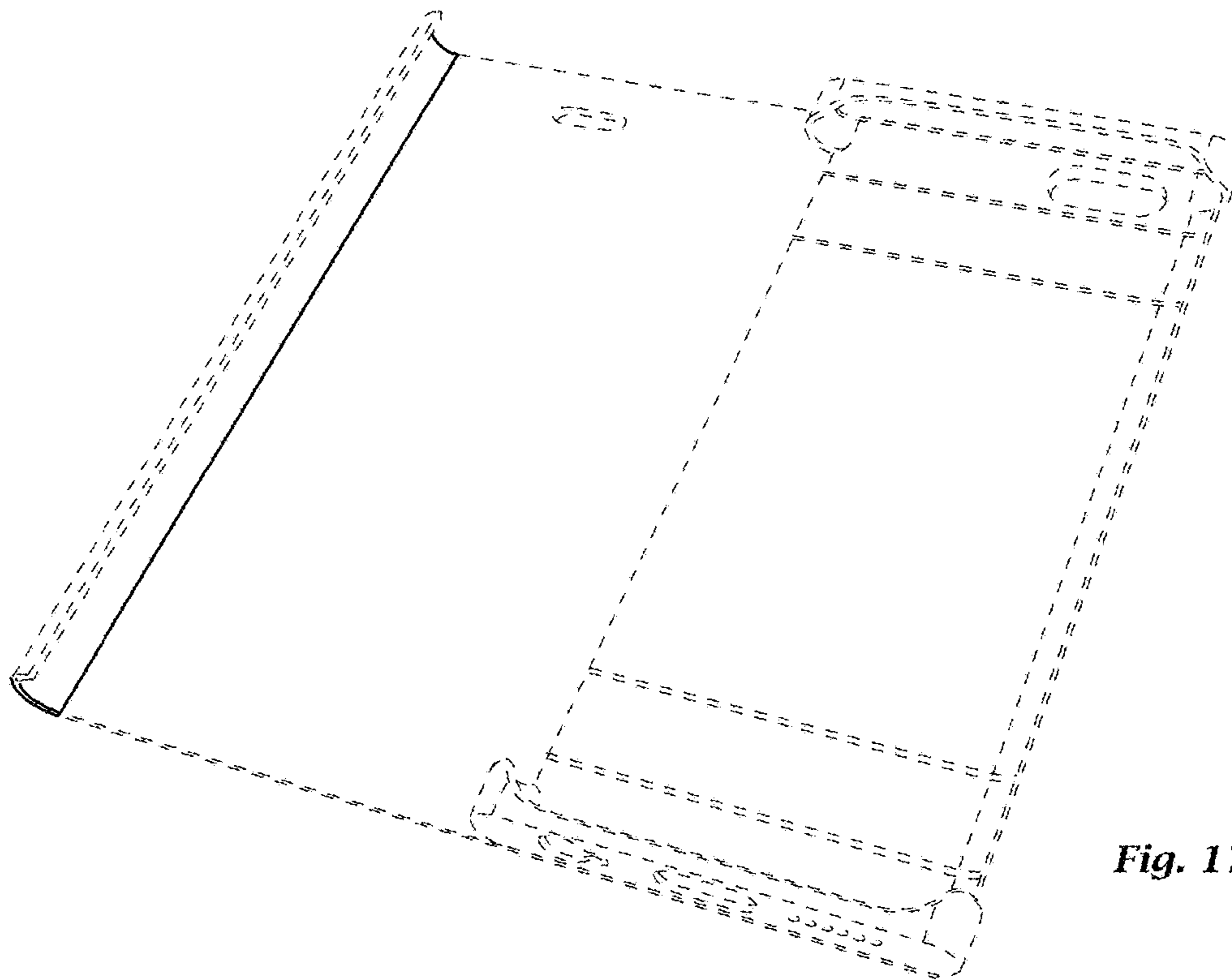


Fig. 17