



US00D829198S

(12) **United States Design Patent**
Cho et al.

(10) **Patent No.:** **US D829,198 S**

(45) **Date of Patent:** **** Sep. 25, 2018**

(54) **TELECOMMUNICATIONS GATEWAY**

(71) Applicant: **LG ELECTRONICS INC.**, Seoul
(KR)

(72) Inventors: **Yooseok Cho**, Seoul (KR); **Ilha Park**,
Seoul (KR); **Taihong Kim**, Seoul (KR)

(73) Assignee: **LG ELECTRONICS INC.**, Seoul
(KR)

(**) Term: **15 Years**

(21) Appl. No.: **35/503,747**

(22) Filed: **Apr. 5, 2017**

(80) **Hague Agreement Data**

Int. Filing Date: **Apr. 5, 2017**

Int. Reg. No.: **DM/096070**

Int. Reg. Date: **Apr. 5, 2017**

Int. Reg. Pub. Date: **Oct. 6, 2017**

(30) **Foreign Application Priority Data**

Oct. 6, 2016 (KR) 30-2016-0047979

(51) **LOC (11) Cl.** **14-03**

(52) **U.S. Cl.**
USPC **D14/240**

(58) **Field of Classification Search**

USPC D14/125, 140-140.9, 155, 240, 356-358

CPC H04L 12/00; H03K 17/00; H04W 88/00;
H04W 88/04; H04B 1/38

See application file for complete search history.

(56) **References Cited**

U.S. PATENT DOCUMENTS

D460,753 S * 7/2002 Hill D14/240

D548,731 S * 8/2007 Liu D14/240

D641,740 S * 7/2011 Jeon D14/140.6
D662,496 S * 6/2012 Lewis D14/240
D662,920 S * 7/2012 Neu D14/240
D705,748 S * 5/2014 He D14/155
D766,223 S * 9/2016 Chen D14/240
D785,608 S * 5/2017 Weaver D14/240
D790,538 S * 6/2017 Saimen D14/240
D809,492 S * 2/2018 Moon D14/240
D815,070 S * 4/2018 Elmieh D14/225
D816,070 S * 4/2018 Marzynski D14/240
D821,374 S * 6/2018 Jun D14/242

* cited by examiner

Primary Examiner — Michael A. Pratt

(74) *Attorney, Agent, or Firm* — Birch, Stewart, Kolasch
& Birch, LLP

(57) **CLAIM**

The ornamental design for a telecommunications gateway,
as shown and described.

DESCRIPTION

1. Telecommunications gateway

1.1 : Perspective

1.2 : Front

1.3 : Back

1.4 : Left

1.5 : Right

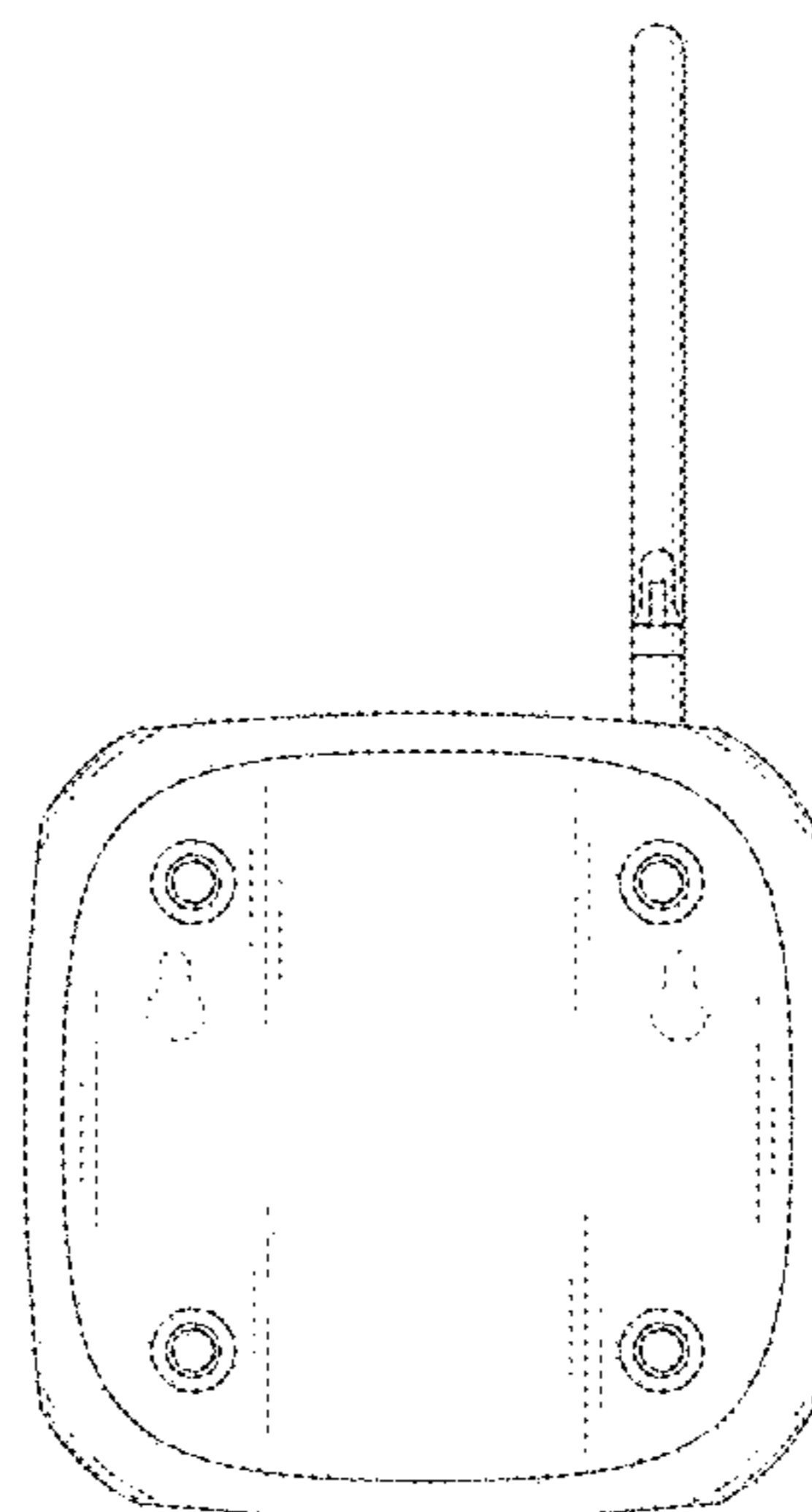
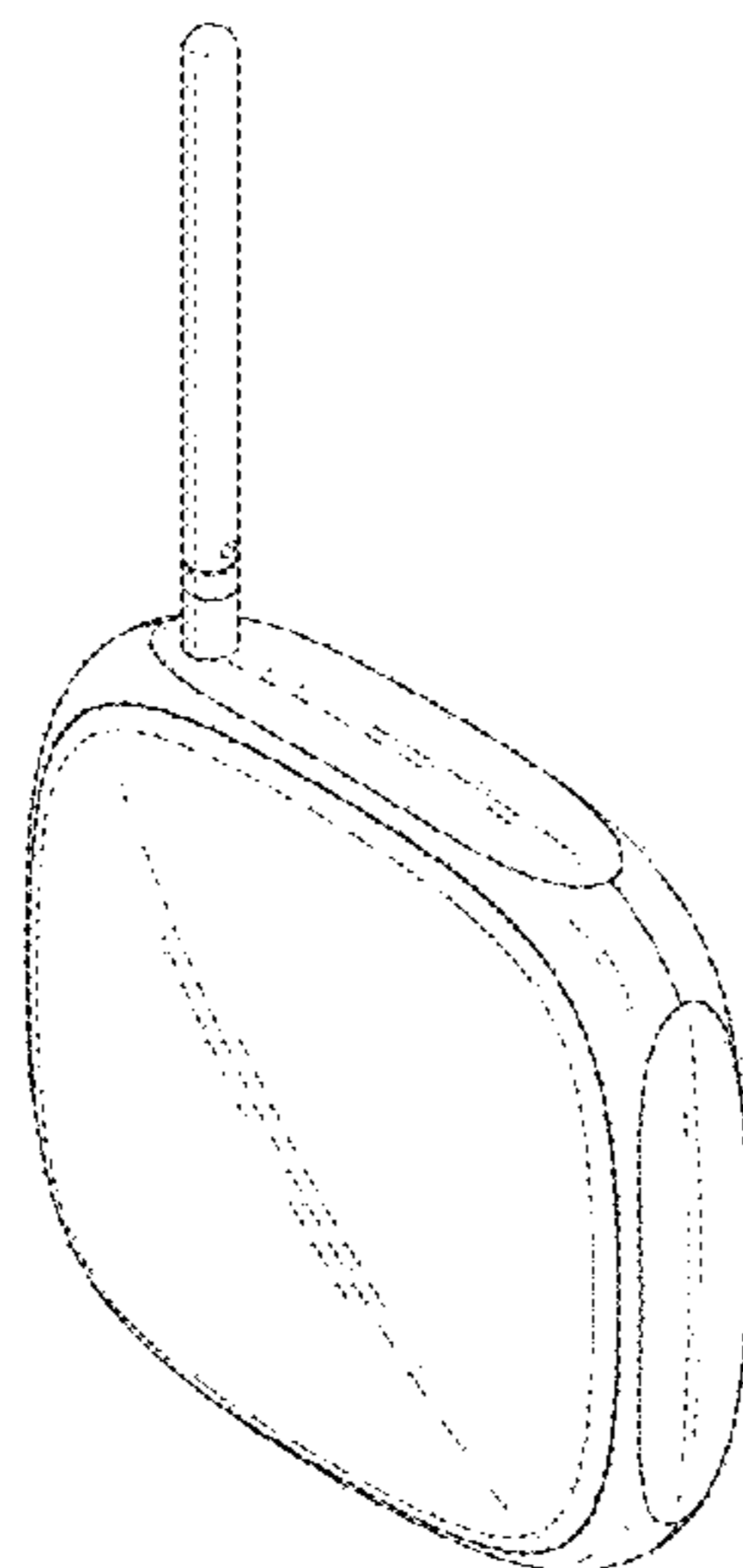
1.6 : Top

1.7 : Bottom

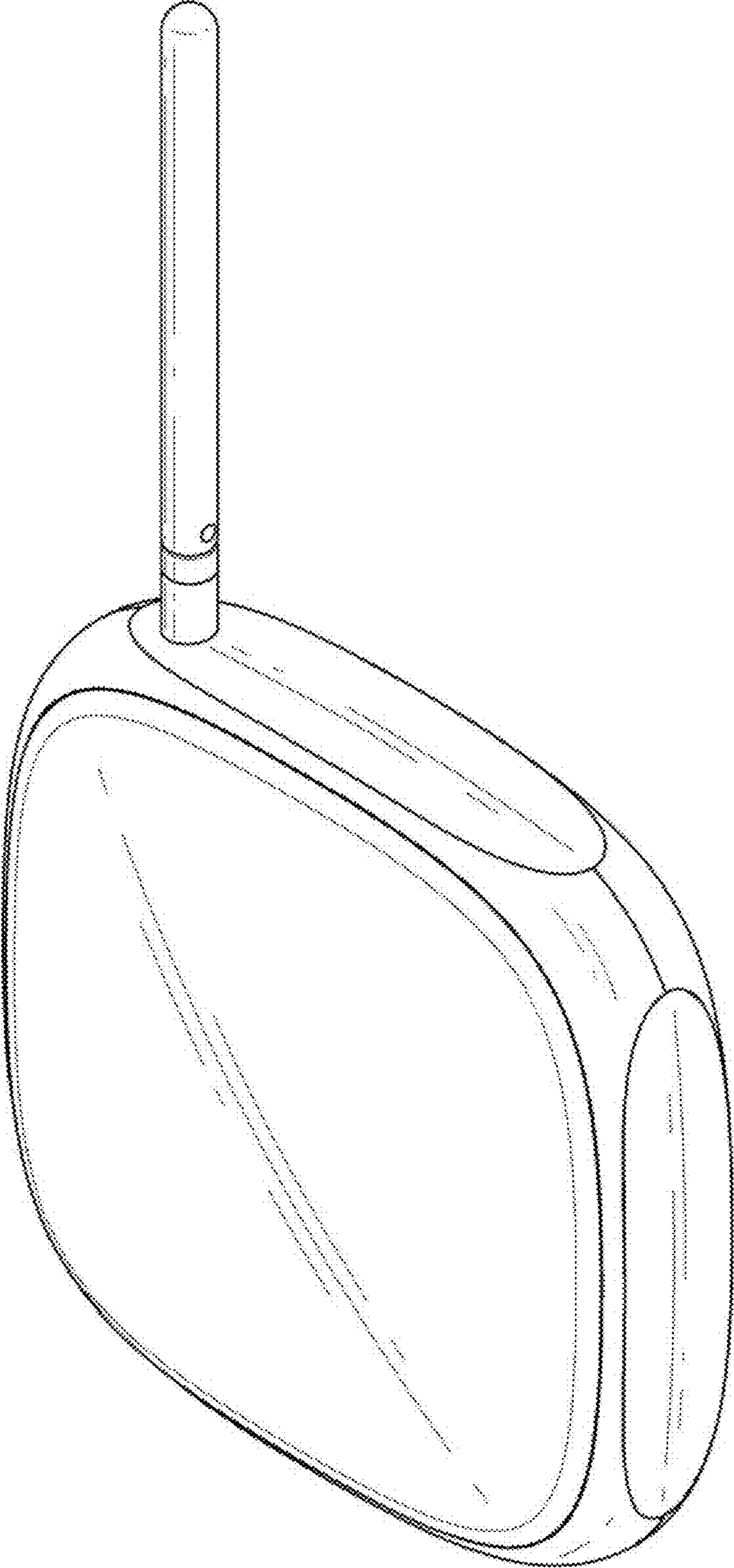
The present ornamental design is a combination of the shape
and pattern of a “telecommunications gateway” as shown
and described.

The broken line shown are included for the purpose of
illustrating portions of the telecommunications gateway that
forms no part of the claimed design.

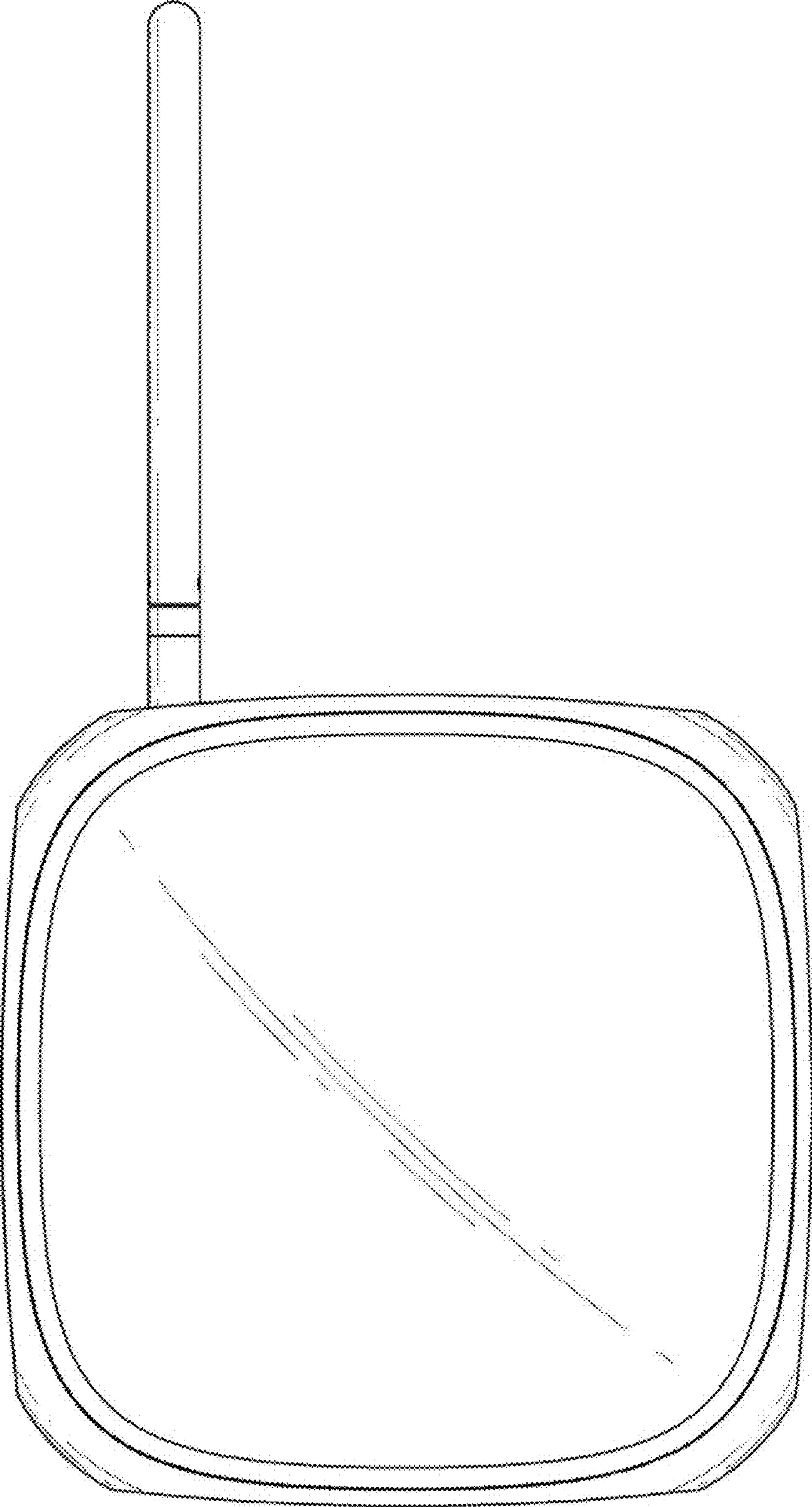
1 Claim, 7 Drawing Sheets



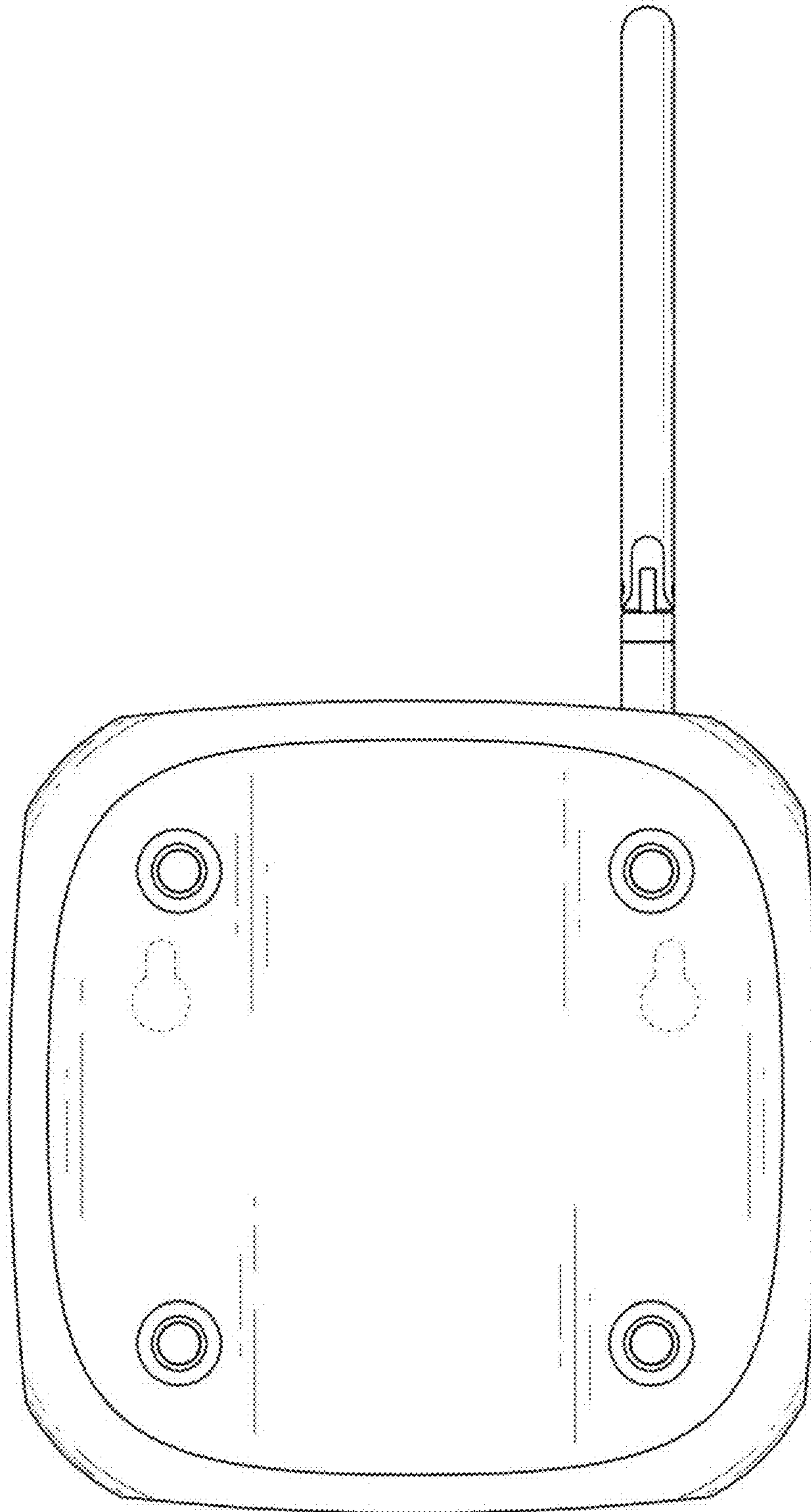
1.1



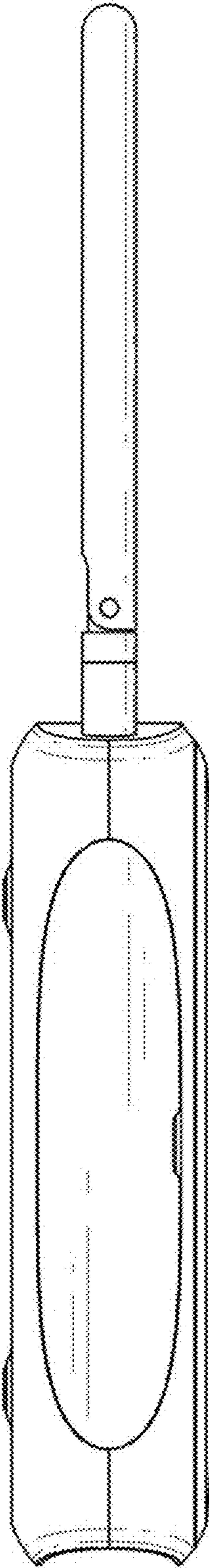
1.2



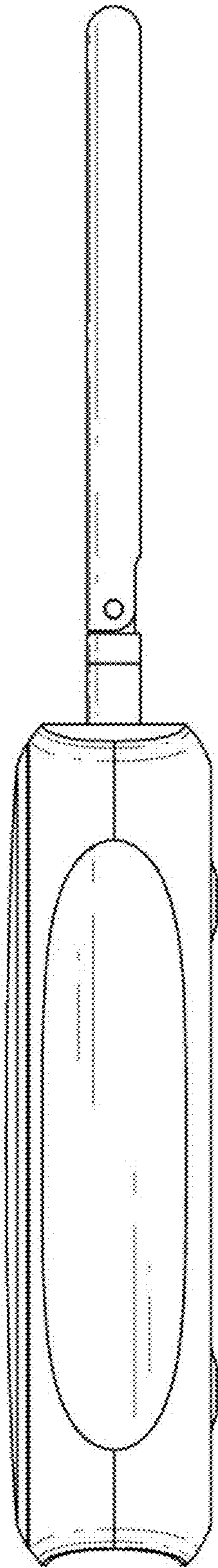
1.3



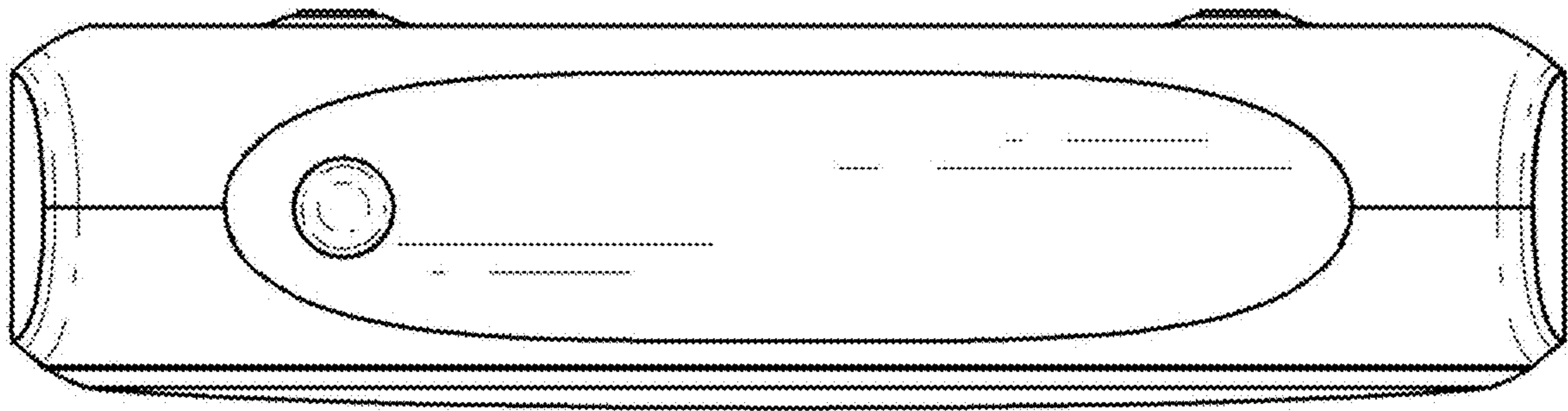
1.4



1.5



1.6



1.7

