



US00D829197S

(12) **United States Design Patent**  
**Barnum et al.**

(10) **Patent No.:** **US D829,197 S**  
(45) **Date of Patent:** **\*\* Sep. 25, 2018**

- (54) **CELL PHONE SIGNAL BOOSTER**
- (71) Applicant: **Wilson Electronics, LLC**, St. George, UT (US)
- (72) Inventors: **Matt Barnum**, Columbus, OH (US); **Adam Jonovski**, New Albany, OH (US); **Joseph Moya**, Johnstown, OH (US); **Jignesh Patel**, Plano, TX (US); **Monica Welcker**, Dublin, OH (US)
- (73) Assignee: **Wilson Electronics, LLC**, St. George, UT (US)

D535,664 S *	1/2007	Katayama .....	D14/496
D573,144 S *	7/2008	Lin .....	D14/240
D577,001 S *	9/2008	Garrett .....	D14/168
D586,339 S *	2/2009	Varsaysky Waisman-Diamond .....	D14/240
D593,973 S *	6/2009	Cho .....	D14/125
D637,983 S *	5/2011	Kim .....	D14/125
D658,648 S *	5/2012	Chen .....	D14/358
D682,247 S *	5/2013	Tanaka .....	D14/155
D682,829 S *	5/2013	Wu .....	D14/240
D733,692 S *	7/2015	Wu .....	D14/242
D735,308 S *	7/2015	Chen .....	D23/351
D749,065 S *	2/2016	Zetsu .....	D14/242
D775,127 S *	12/2016	Strubi .....	D14/358

(Continued)

(\*\*) Term: **15 Years**

*Primary Examiner* — Susan Bennett Hattan

(21) Appl. No.: **29/589,505**

*Assistant Examiner* — Marie D. Fast Horse

(22) Filed: **Jan. 2, 2017**

(74) *Attorney, Agent, or Firm* — Jones Waldo Holbrook & McDonough, PC; Brent T. Winder

(51) **LOC (11) Cl.** ..... **14-03**

(52) **U.S. Cl.**  
USPC ..... **D14/240**

(58) **Field of Classification Search**  
USPC ..... D14/356, 357, 358, 361, 362, 365, 367, D14/370, 388, 432, 434, 203.1, 203.6, D14/204, 240, 242, 299, 125, 129, 130, D14/140, 155, 168, 188, 195, 300, 302, D14/314, 348, 351, 496, 142; D13/103, D13/107, 108, 123, 152, 158, 162, 162.1, D13/163, 168, 184, 199; D10/104.1, D10/106.6, 116.1, 61, 64, 75, 106.9  
CPC ... H04W 88/08; H04W 88/085; H04W 88/00; H04W 88/005; H04W 88/02; H04W 88/12; H04W 88/14; H04W 88/16; H04W 88/18; H04W 4/00; H04W 16/26; H01Q 1/02; H01Q 1/2291; H01Q 1/246; H01Q 1/42; H04B 1/38  
See application file for complete search history.

(56) **References Cited**

**U.S. PATENT DOCUMENTS**

D355,172 S *	2/1995	Hadaegh .....	D14/242
D523,840 S *	6/2006	Heath .....	D14/188

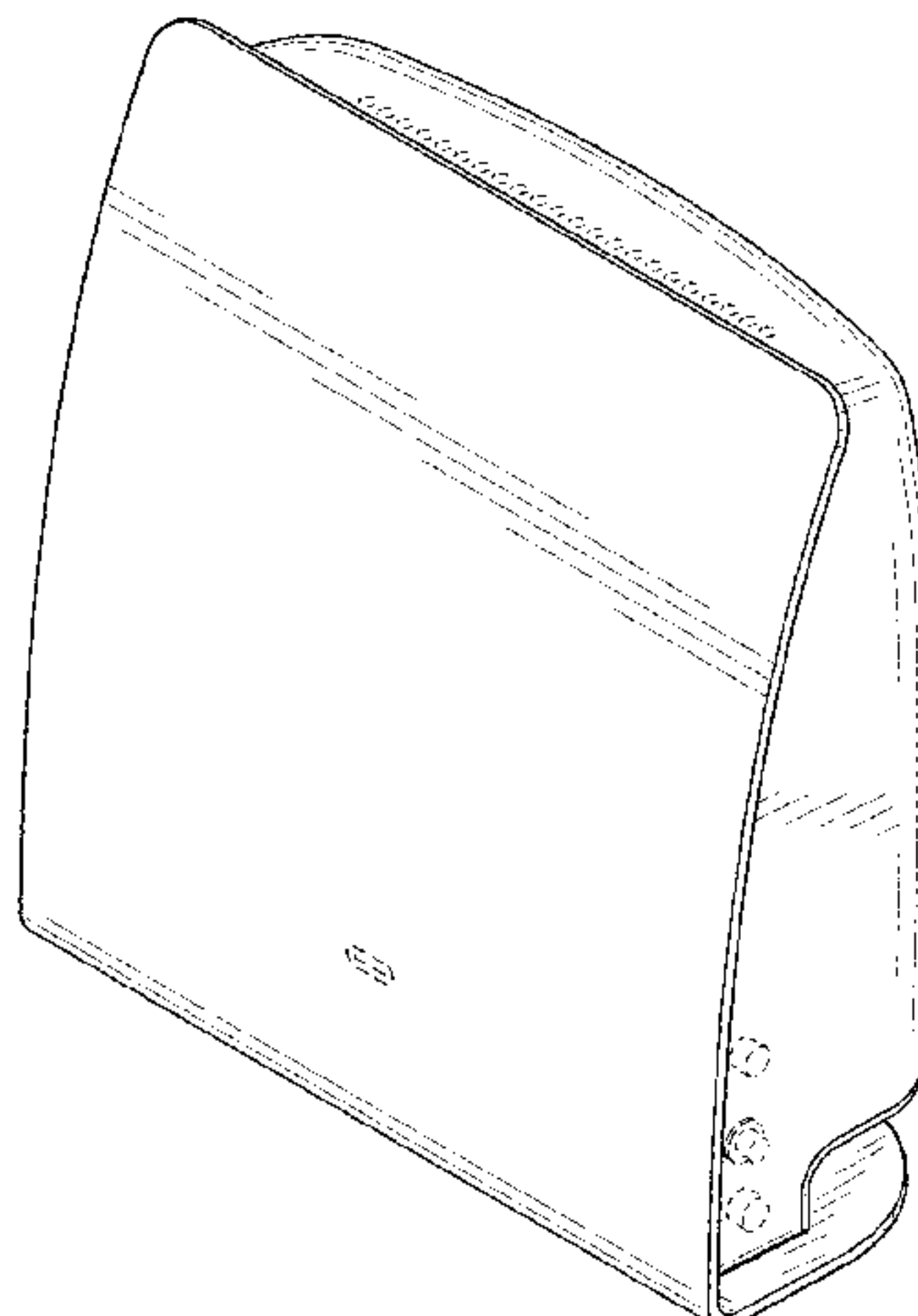
(57) **CLAIM**

The ornamental design for a cell phone signal booster, as shown and described.

**DESCRIPTION**

FIG. 1 is a front perspective view of the presently claimed design.  
 FIG. 2 is a rear perspective view of the presently claimed design.  
 FIG. 3 is a front view of the presently claimed design.  
 FIG. 4 is a rear view of the presently claimed design.  
 FIG. 5 is a side view of the presently claimed design.  
 FIG. 6 is an opposite side view of the presently claimed design.  
 FIG. 7 is a top view of the presently claimed design; and,  
 FIG. 8 is a bottom view of the presently claimed design.  
 The broken lines in the drawings depict portions of the cell phone signal booster that form no part of the claimed design.

**1 Claim, 4 Drawing Sheets**



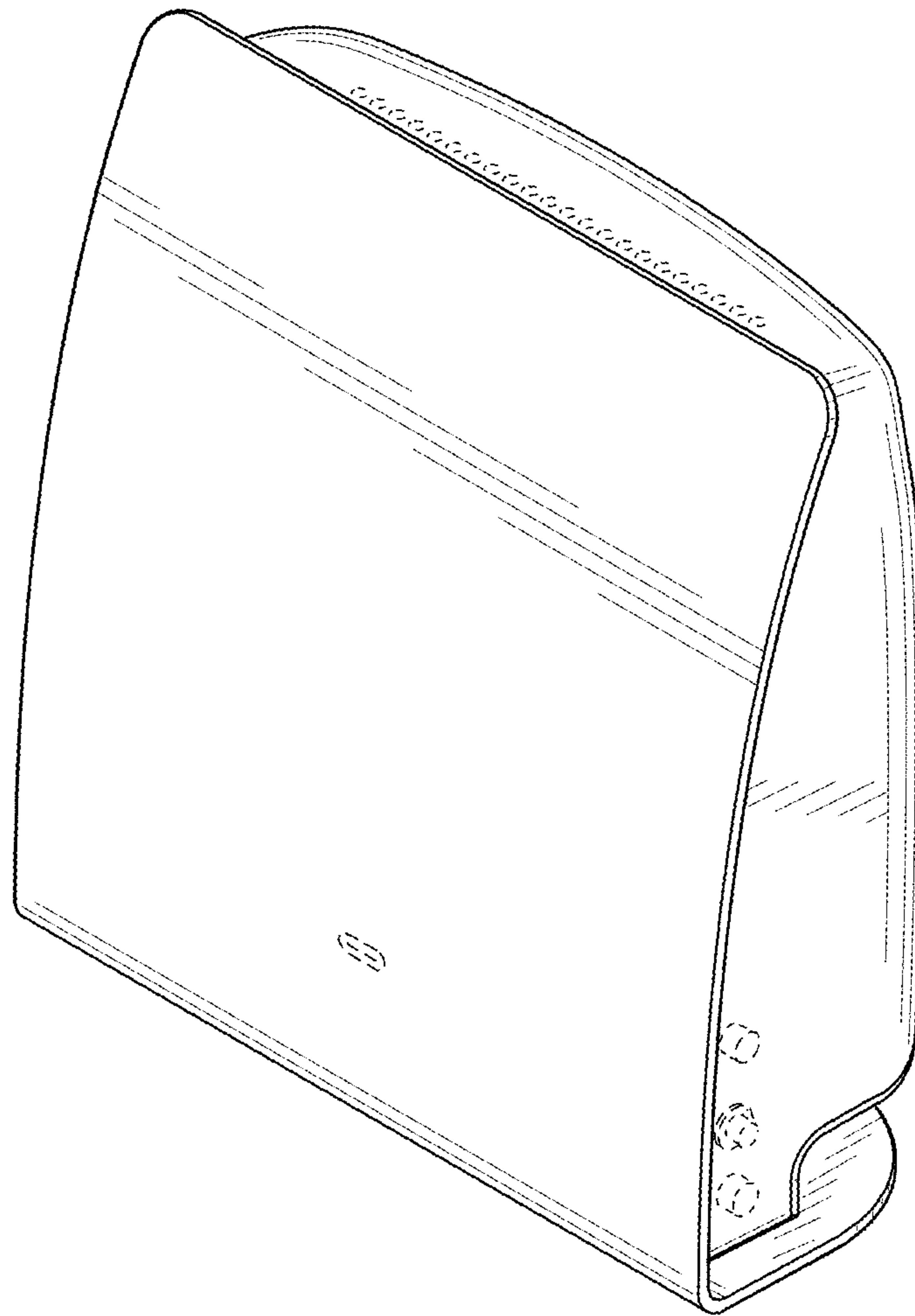
(56)

**References Cited**

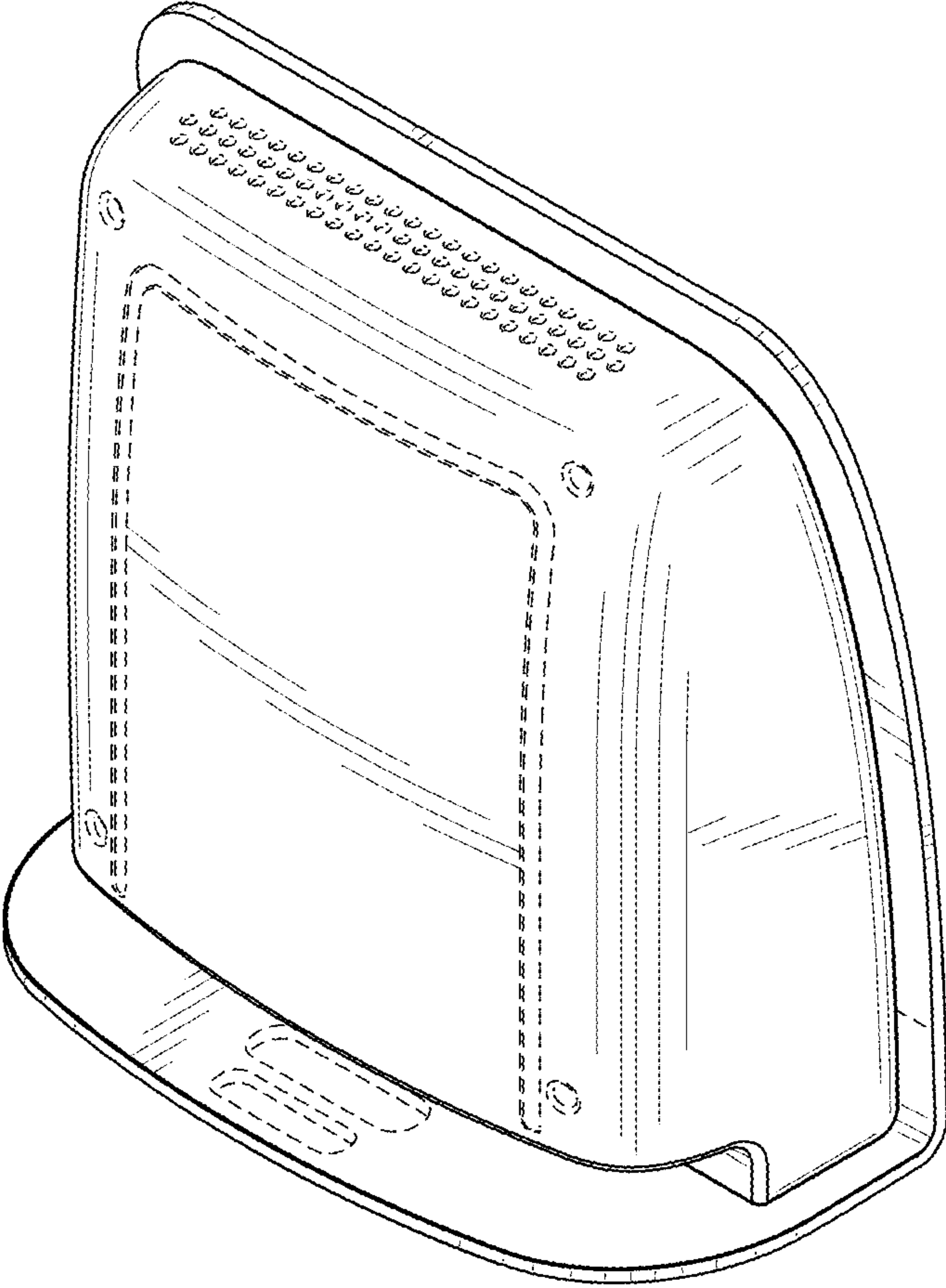
U.S. PATENT DOCUMENTS

D776,655 S \* 1/2017 Chen ..... D14/240  
2016/0095002 A1 \* 3/2016 Zhan ..... H04W 16/26  
370/294

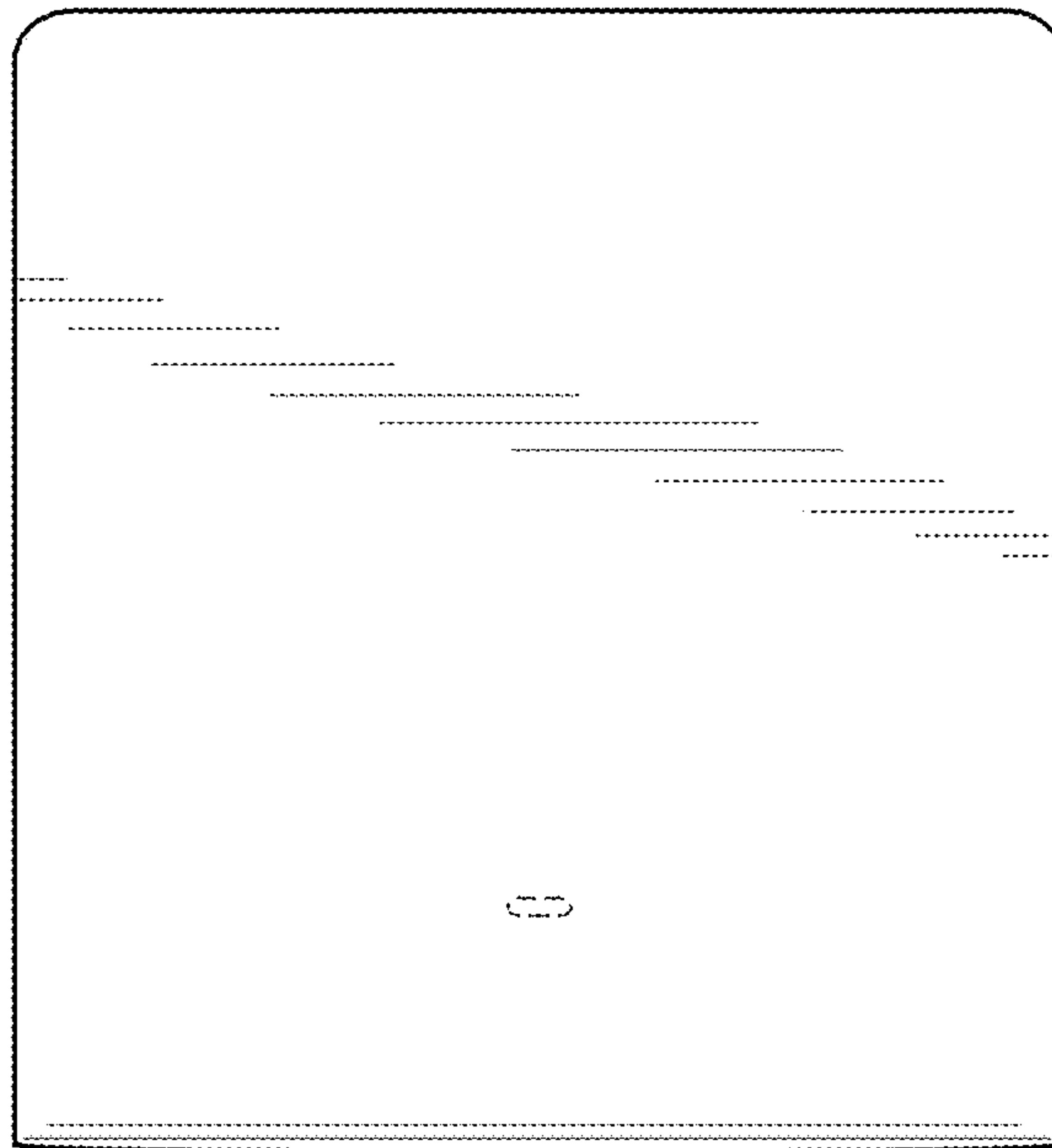
\* cited by examiner



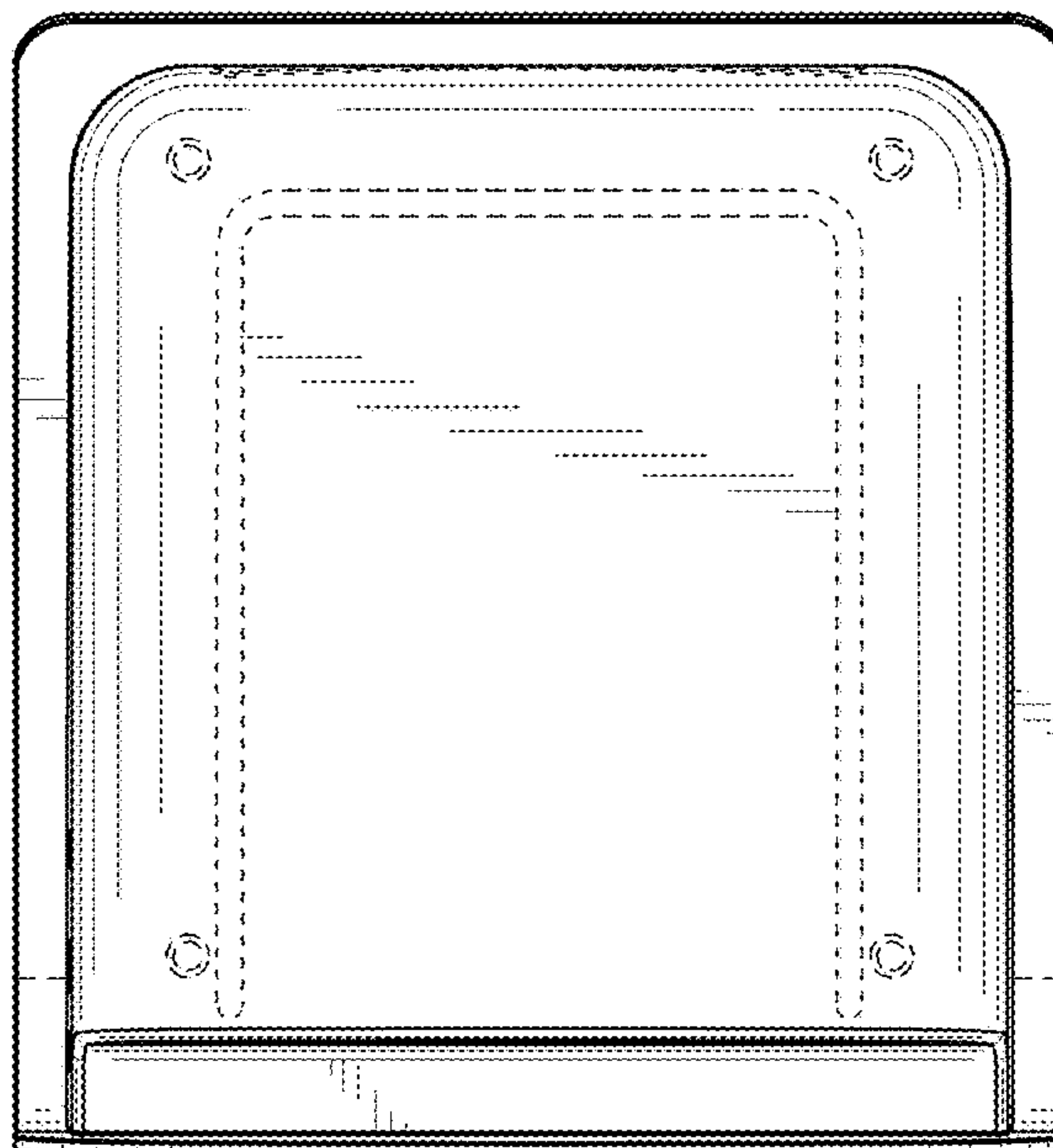
**FIG. 1**



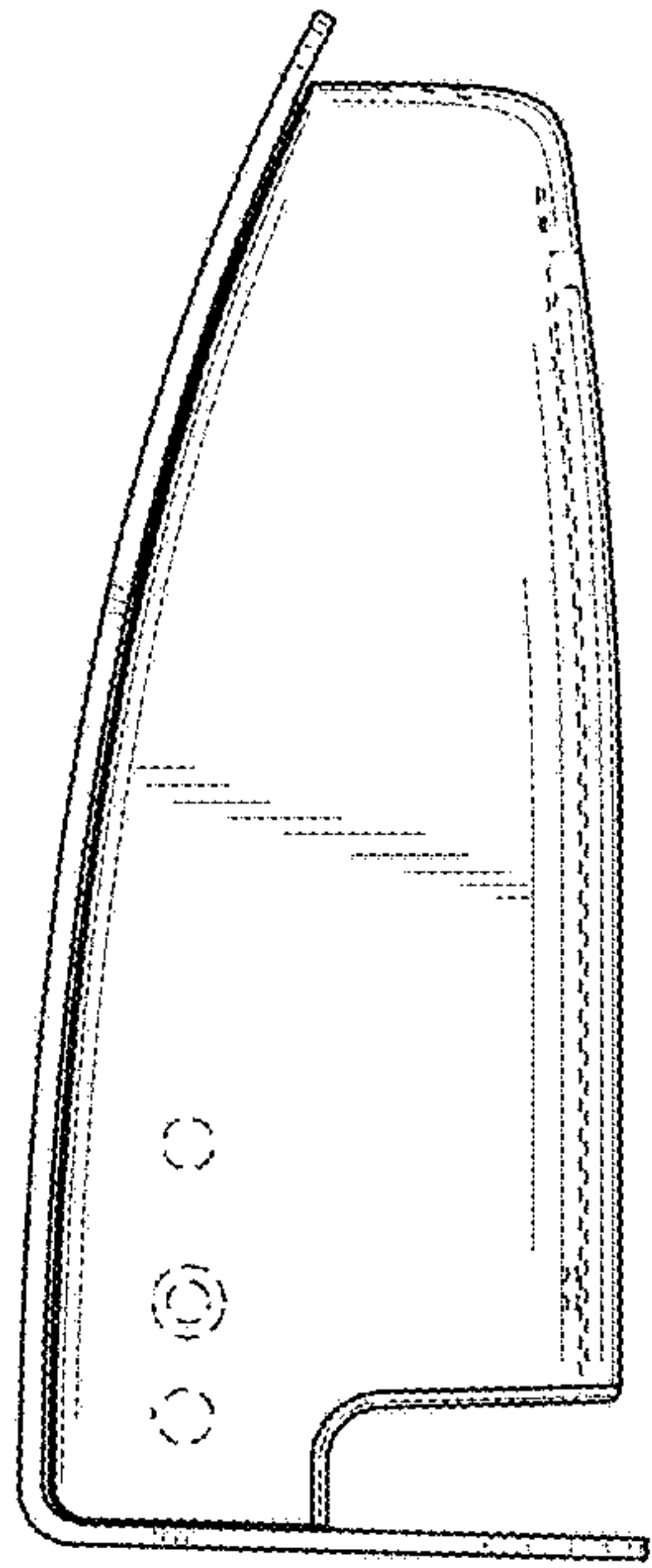
**FIG. 2**



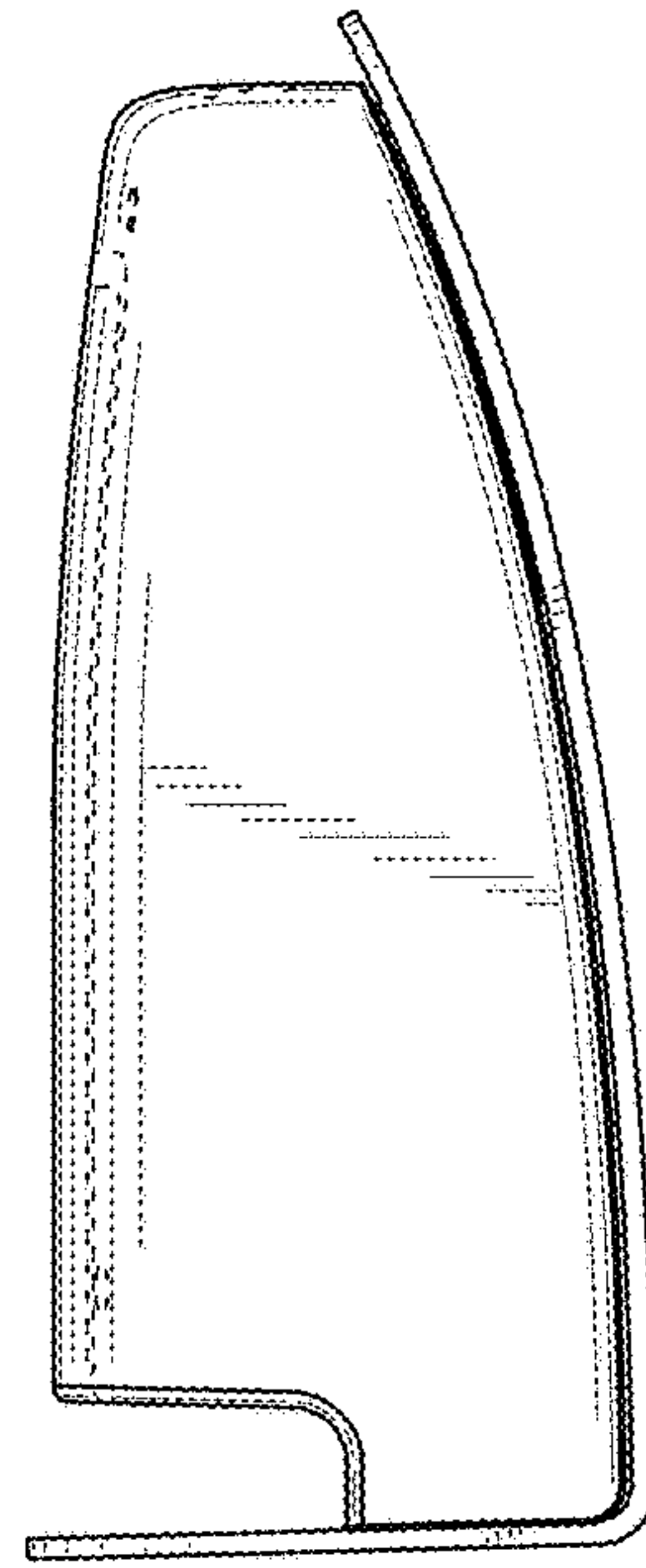
**FIG. 3**



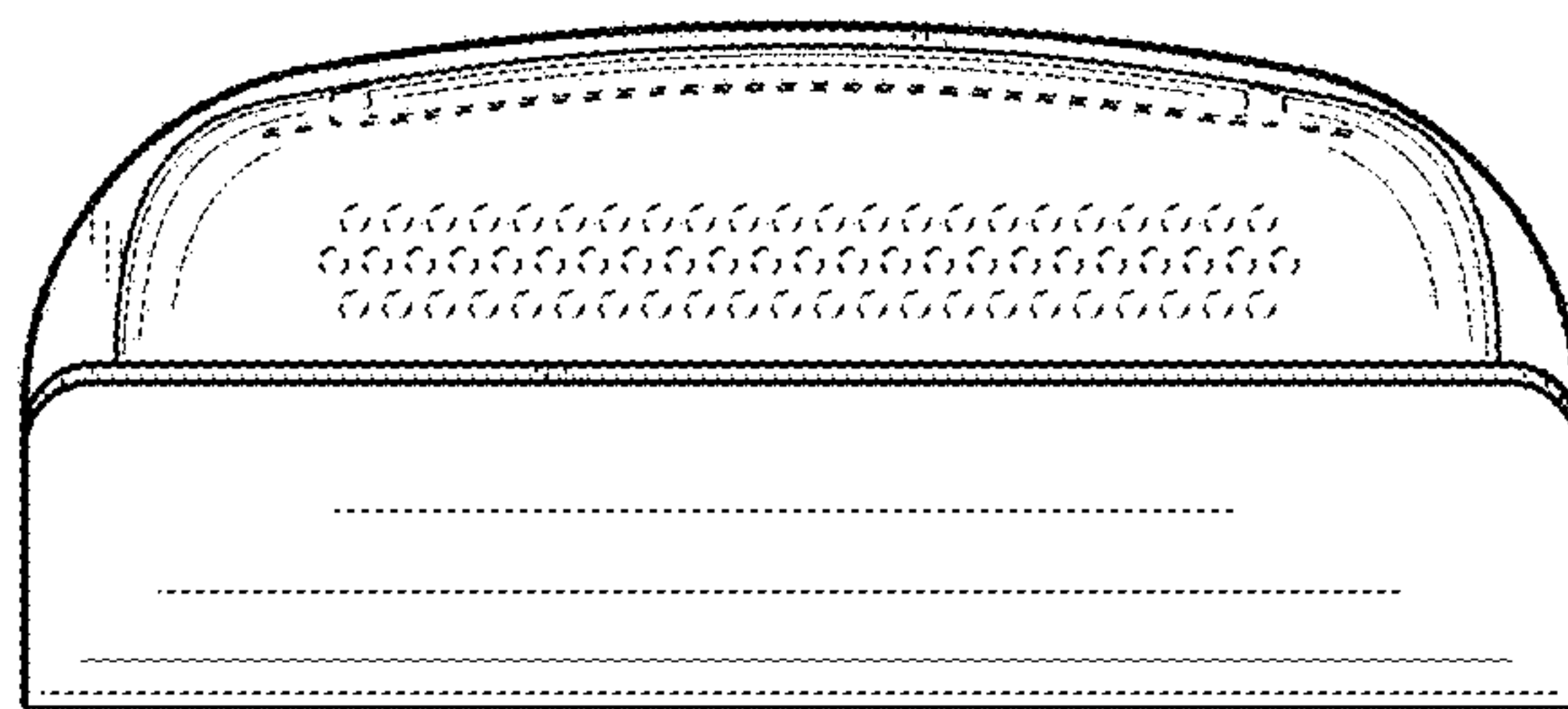
**FIG. 4**



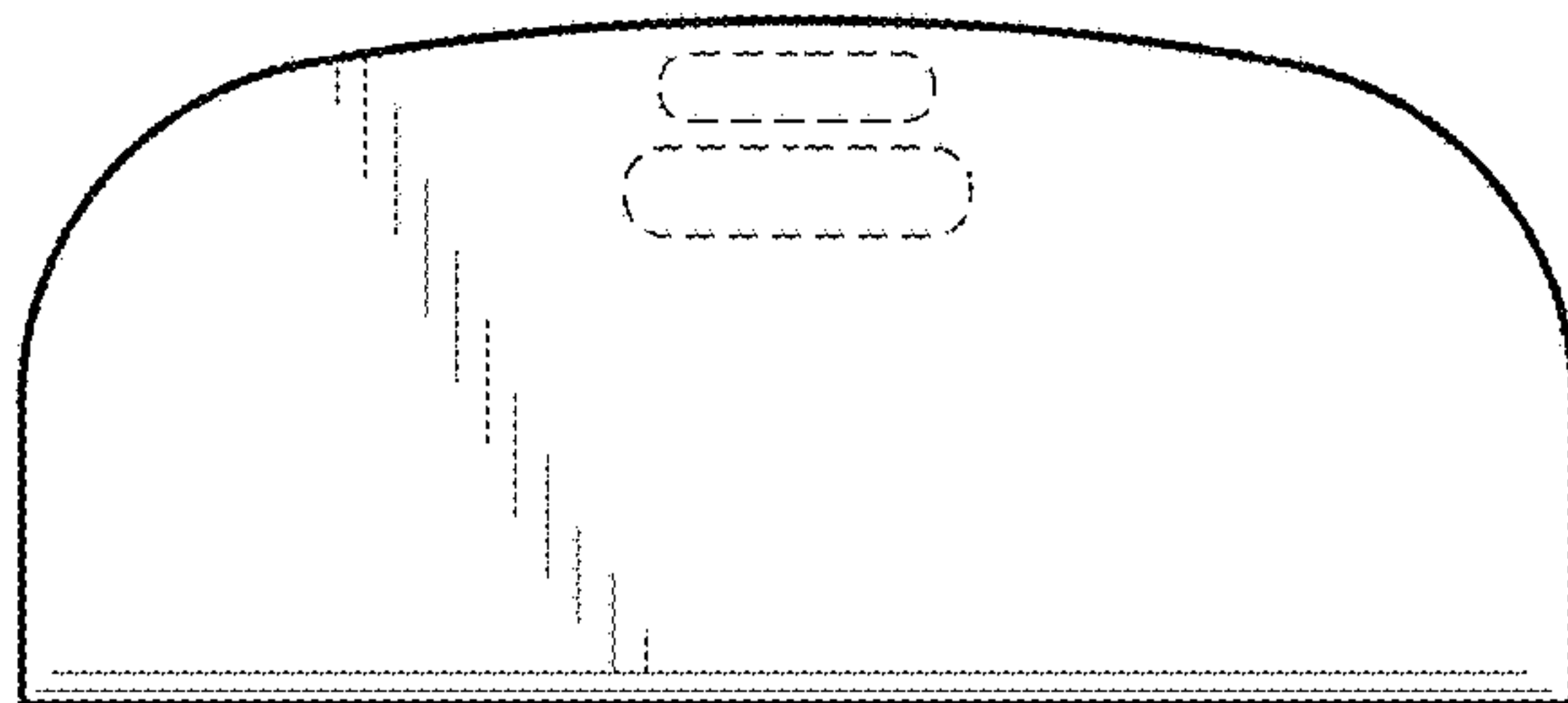
**FIG. 5**



**FIG. 6**



**FIG. 7**



**FIG. 8**