



US00D829196S

(12) **United States Design Patent** (10) **Patent No.:** **US D829,196 S**
Kim et al. (45) **Date of Patent:** **** Sep. 25, 2018**

(54) **BRACKET**

FOREIGN PATENT DOCUMENTS

(71) Applicant: **SAMSUNG ELECTRONICS CO., LTD.**, Suwon-si, Gyeonggi-do (KR)

EM 002762492-0004 8/2015
KR 300324033 S 5/2003
KR 300387523 S 7/2005

(72) Inventors: **Junpyo Kim**, Seoul (KR); **Chanhee Han**, Seoul (KR); **Gyoo-sang Choi**, Suwon-si (KR)

OTHER PUBLICATIONS

Samsung WMN300SB/ZA (2017), posted Mar. 26, 2017, [retrieved Apr. 27, 2018]. Retrieved from Internet, <URL: <https://www.amazon.com/Samsung-WMN300SB-ZA/dp/B06XVTWW4H> >.*

(73) Assignee: **SAMSUNG ELECTRONICS CO., LTD.**, Gyeonggi-Do (KR)

(Continued)

(**) Term: **15 Years**

Primary Examiner — Barbara G Fox
Assistant Examiner — Kristin E Reed

(21) Appl. No.: **29/606,723**

(74) *Attorney, Agent, or Firm* — Cantor Colburn LLP

(22) Filed: **Jun. 7, 2017**

(57) **CLAIM**

The ornamental design for a bracket, as shown and described.

(30) **Foreign Application Priority Data**

DESCRIPTION

Dec. 15, 2016 (KR) 30-2016-0061203

(51) **LOC (11) Cl.** **14-03**

(52) **U.S. Cl.**

USPC **D14/238**

(58) **Field of Classification Search**

USPC D8/355, 353, 356; D12/420, 423; D14/238, 452; D25/119, 120, 121

CPC A47G 1/141; A47G 29/00; F16M 11/26; G06F 3/1446

See application file for complete search history.

FIG. 1 is a front perspective view of a bracket showing our new design;

FIG. 2 is a front view thereof;

FIG. 3 is a rear view thereof;

FIG. 4 is a left-side view thereof;

FIG. 5 is a right-side view thereof;

FIG. 6 is a top view thereof;

FIG. 7 is a bottom view thereof;

FIG. 8 is a rear and bottom perspective view thereof;

FIG. 9 is a front perspective view thereof, as shown in an alternate configuration;

FIG. 10 is a front perspective view thereof, as shown in another alternate configuration; and,

FIG. 11 is a rear perspective view thereof shown in an example environment.

The broken lines illustrating portions of the bracket form no part of the claimed design. The dot-dot-dash broken lines depict environmental subject matter and form no part of the claimed design.

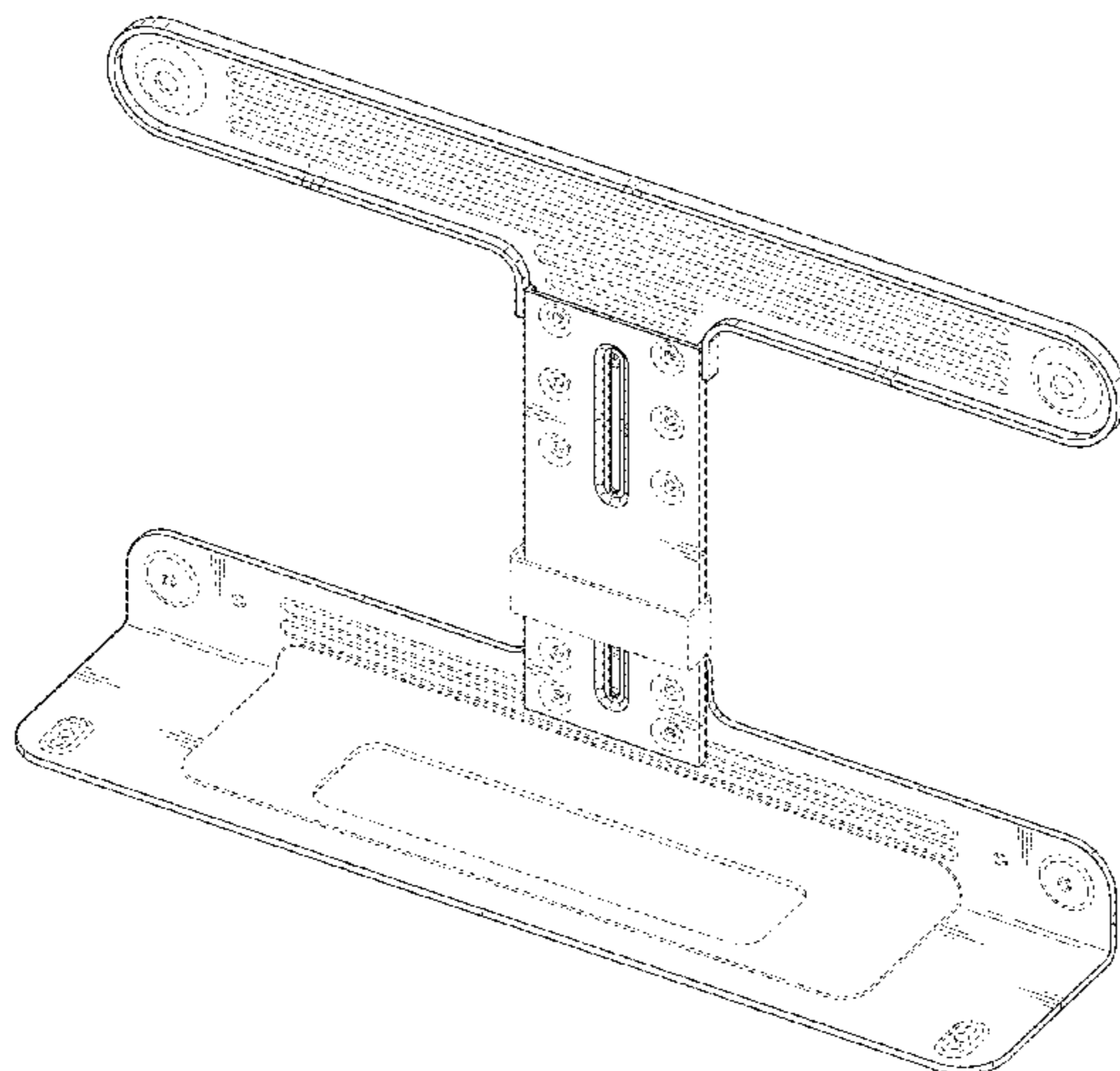
(56) **References Cited**

U.S. PATENT DOCUMENTS

D508,171 S * 8/2005 Choo D6/675.1
D545,081 S * 6/2007 Lara D6/677
D576,427 S * 9/2008 Stebbens D6/675.1
7,537,189 B2 * 5/2009 Jung F16M 11/10
248/281.11
D594,675 S * 6/2009 Cahaly D12/223

(Continued)

1 Claim, 11 Drawing Sheets



(56)

References Cited

U.S. PATENT DOCUMENTS

7,614,596 B2 * 11/2009 Takao F16M 11/10
248/176.3
D607,671 S * 1/2010 Sexton D6/675.1
D743,952 S * 11/2015 Venghaus D14/238
D781,825 S * 3/2017 Ng D14/238
9,775,264 B1 * 9/2017 Chiu H05K 7/183
2004/0113028 A1 * 6/2004 Grendahl H02G 3/32
248/68.1

OTHER PUBLICATIONS

Idea for mounting lcd tv on plywood, posted Jun. 7, 2015, [retrieved Apr. 27, 2018]. Retrieved from Internet, <URL: <https://diy.stackexchange.com/questions/67272/idea-for-mounting-lcd-tv-on-plywood> >.*

TygerClaw Universal Tabletop Stand for TV and AV Component, posted unknown, [retrieved Apr. 27, 2018]. Retrieved from Internet, <URL: <https://www.homedepot.com/p/TygerClaw-Universal-Tabletop-Stand-for-TV-and-AV-Component-LCD8407BLK/300244611> >.*

* cited by examiner

FIG. 1

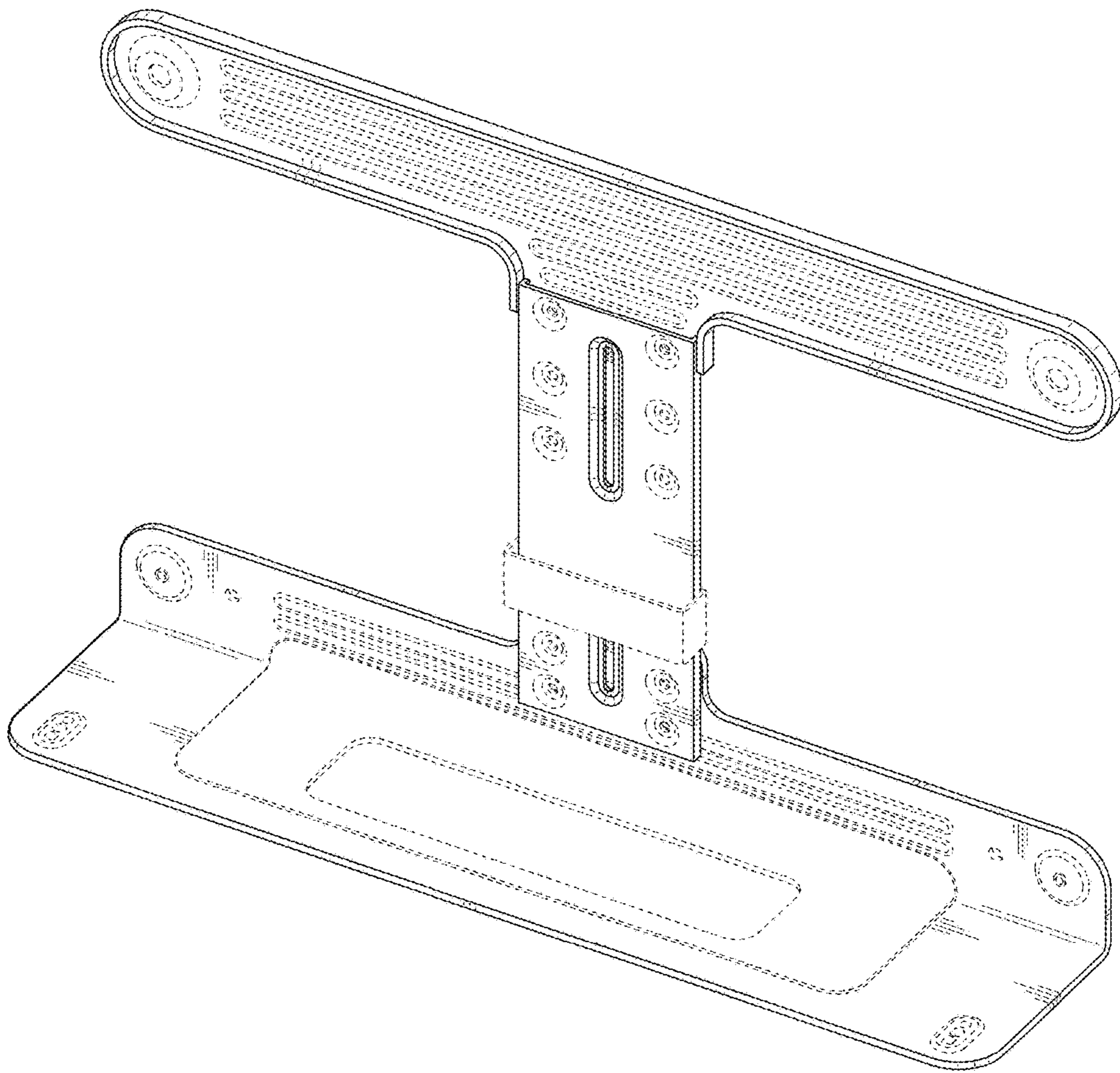


FIG. 2

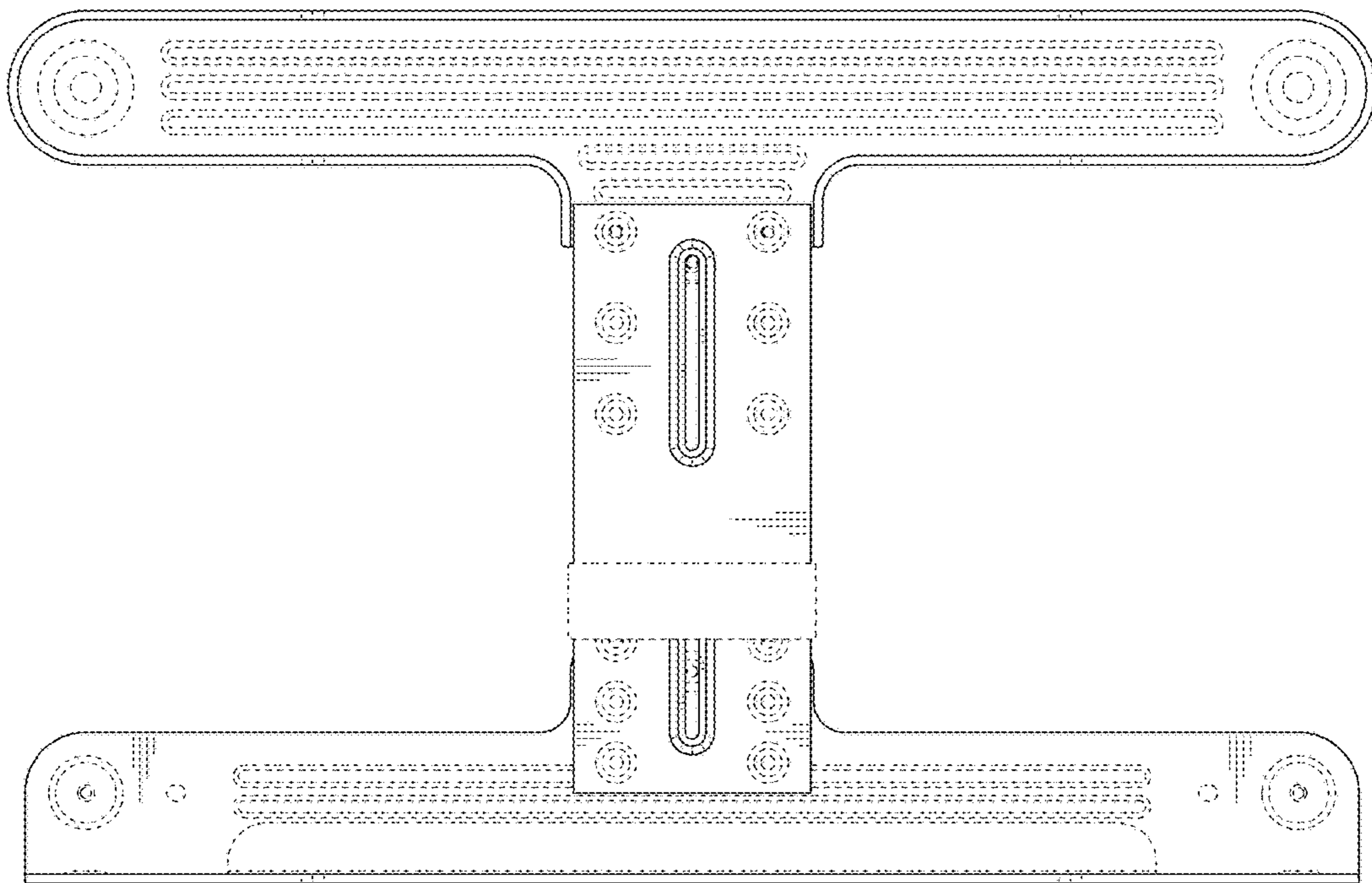


FIG. 3

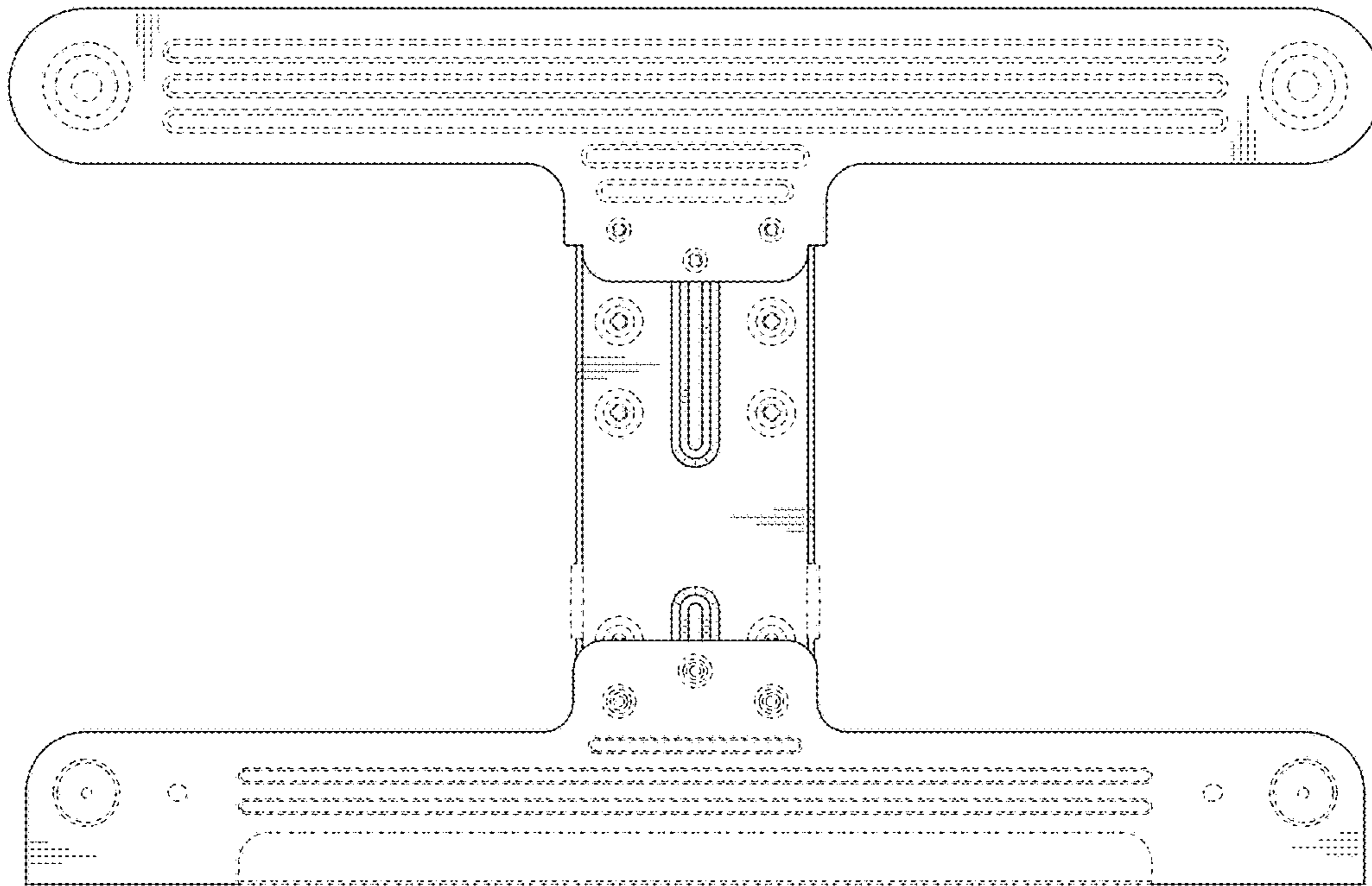


FIG. 4

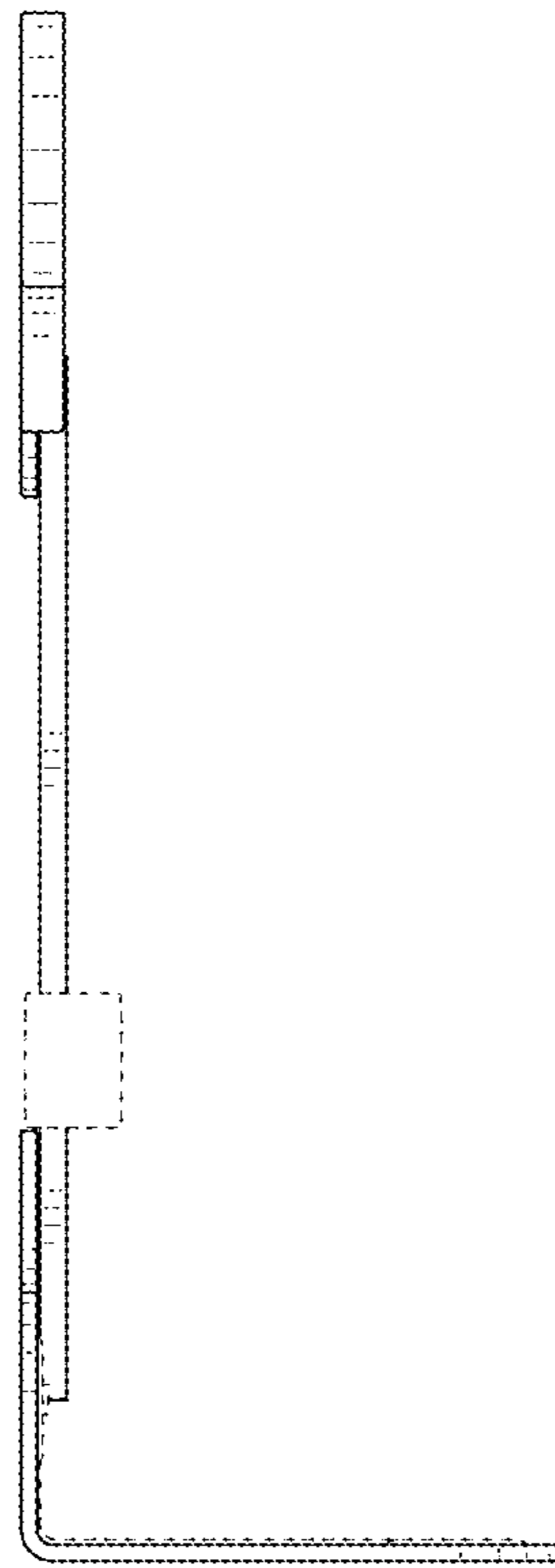


FIG. 5

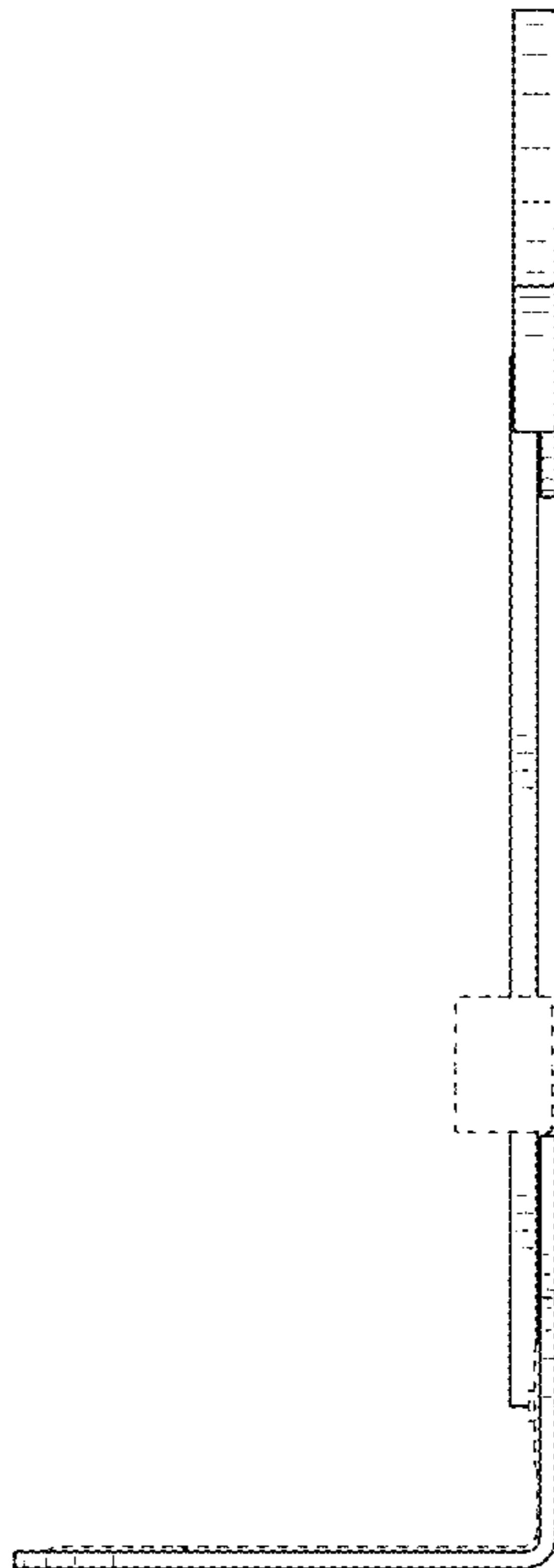


FIG. 6

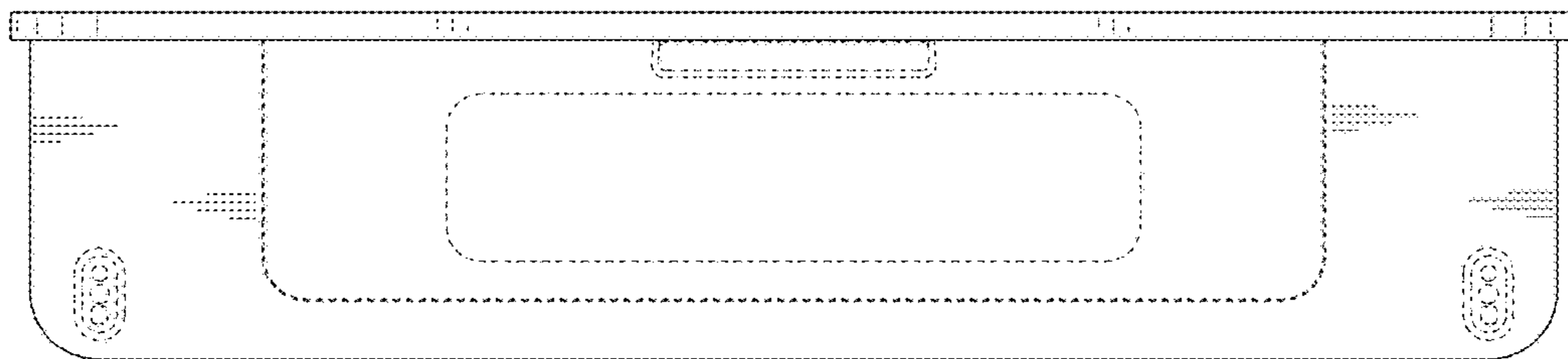


FIG. 7

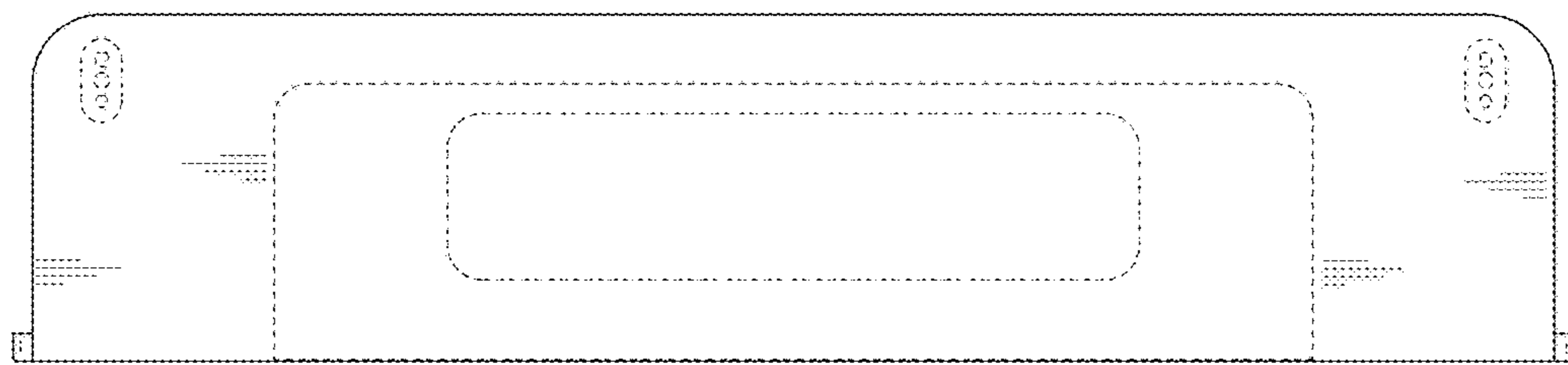


FIG. 8

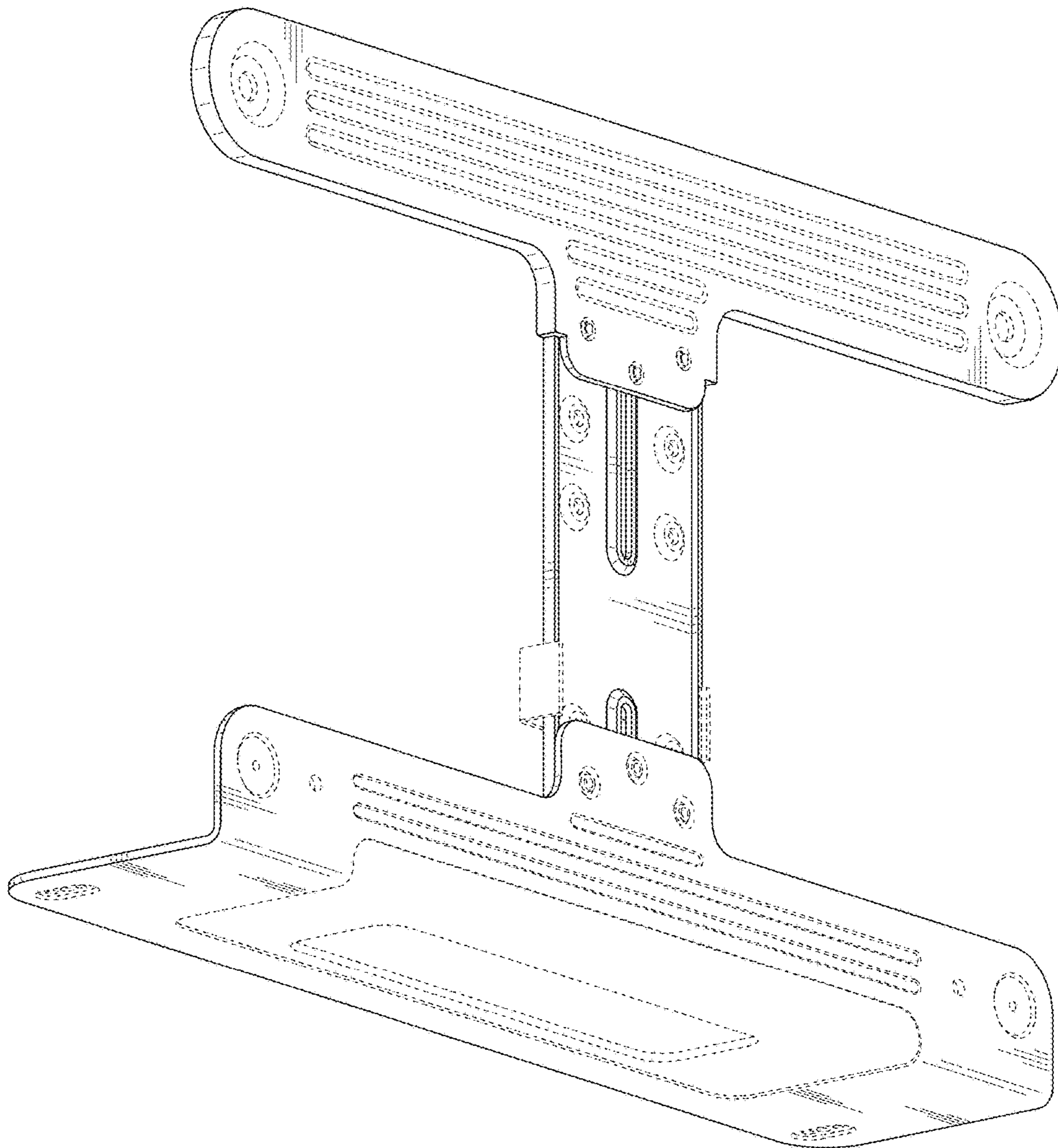


FIG. 9

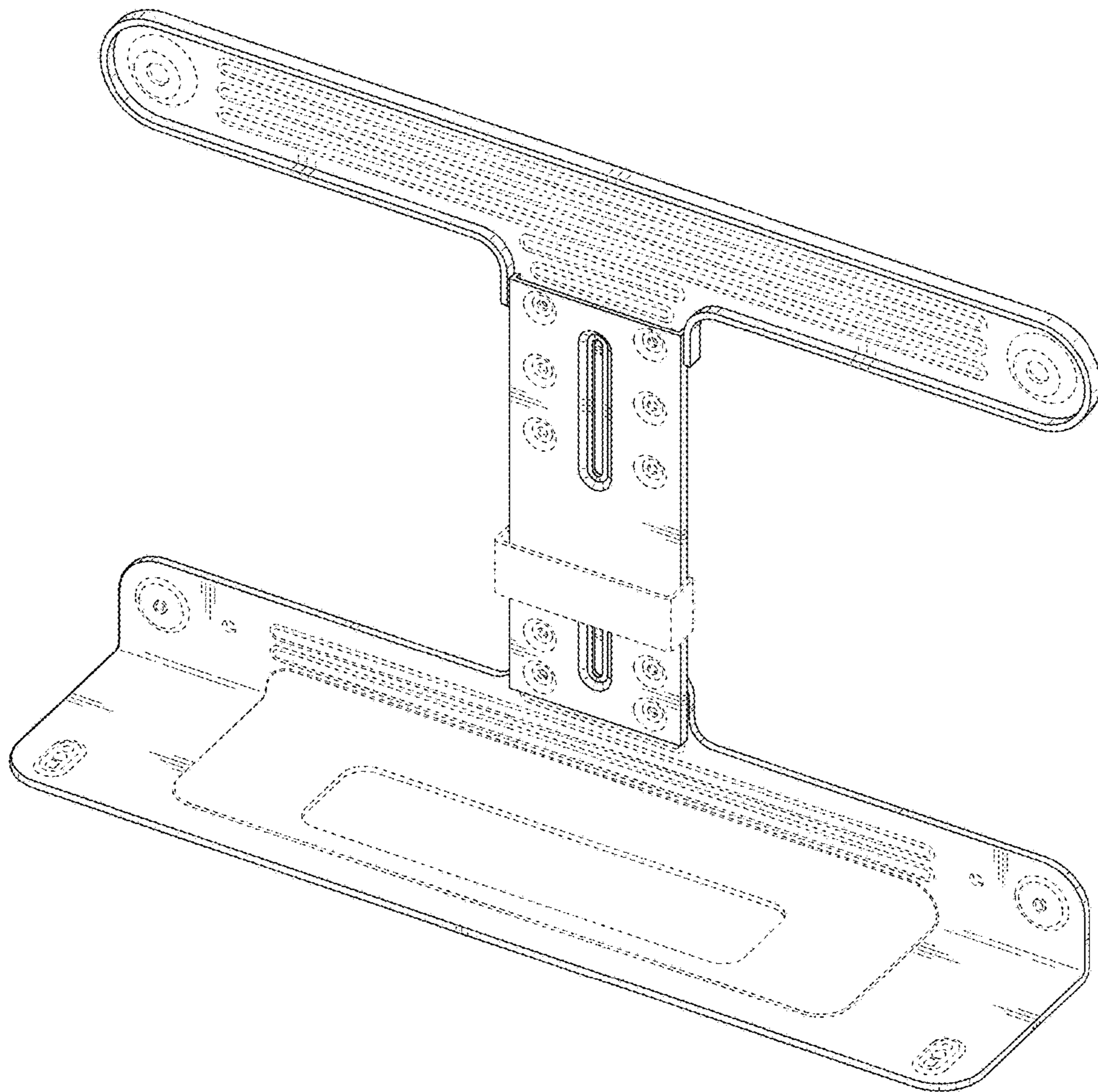


FIG. 10

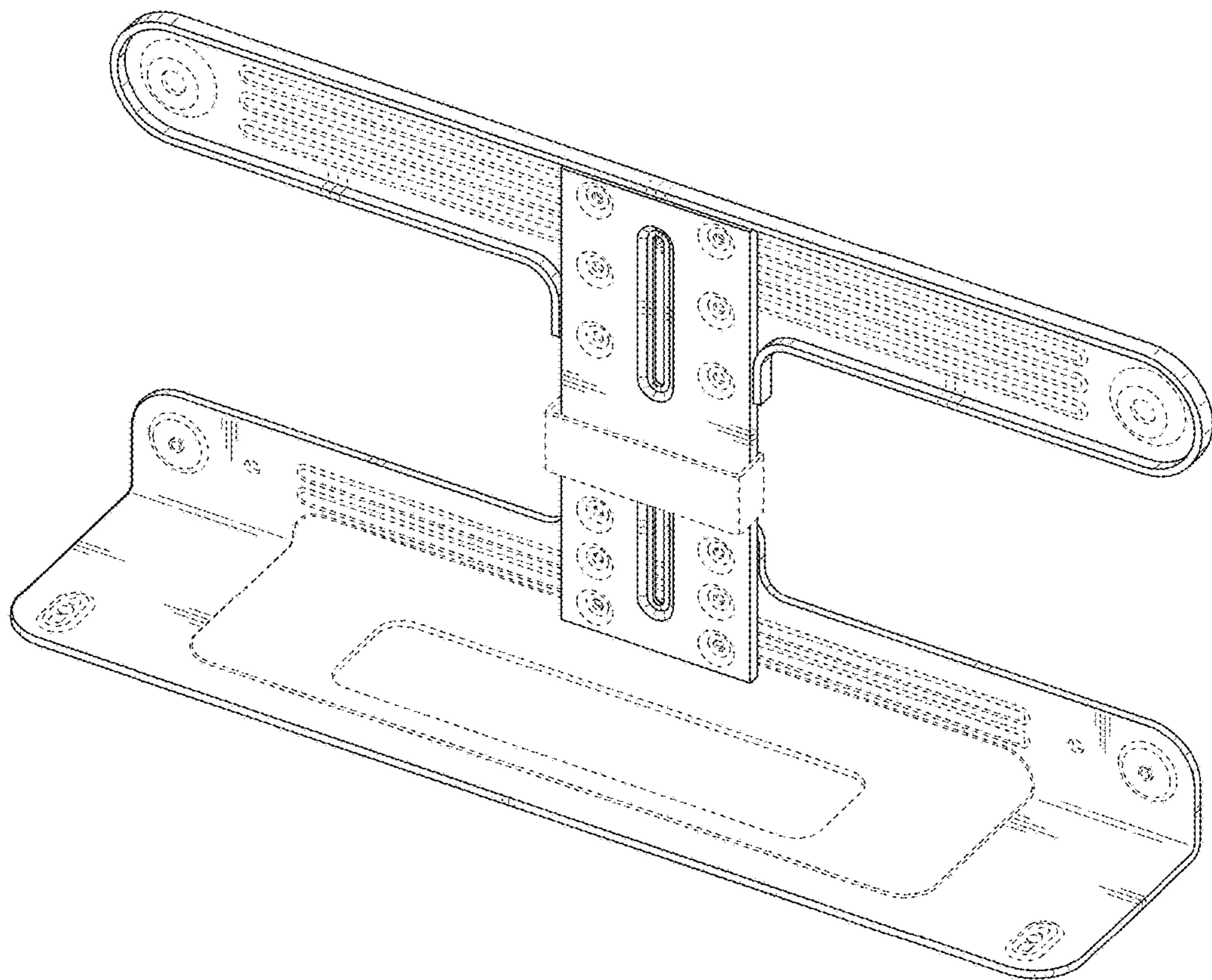


FIG. 11

