



US00D829195S

(12) **United States Design Patent**  
**Cho et al.**

(10) **Patent No.:** **US D829,195 S**

(45) **Date of Patent:** **\*\* Sep. 25, 2018**

(54) **MICROPHONE**

(71) Applicant: **Shure Acquisition Holdings, Inc.**,  
Niles, IL (US)

(72) Inventors: **Elizabeth Cho**, Niles, IL (US); **John Miller**, Niles, IL (US); **Daniel Pratt**, Niles, IL (US); **Jeff Segota**, Niles, IL (US)

(73) Assignee: **Shure Acquisition Holdings, Inc.**,  
Niles, IL (US)

(\*\*) Term: **15 Years**

(21) Appl. No.: **29/574,230**

(22) Filed: **Aug. 12, 2016**

(51) **LOC (11) Cl.** ..... **14-01**

(52) **U.S. Cl.**  
USPC ..... **D14/228**

(58) **Field of Classification Search**  
USPC ..... D14/154, 157–159, 168, 185–186, 188,  
D14/221–22, 224–229, 242–243, 259,  
D14/299, 500, 501, 507; D26/37  
CPC ..... H04R 1/326; H04R 1/406; H04R 1/083;  
H04R 1/222; H04R 1/1041; H04R 17/02;  
H04R 29/004; H04R 29/005; H04R  
19/04; H04R 2420/07; H04R 2410/00;  
H04R 2410/01  
See application file for complete search history.

(56) **References Cited**

**U.S. PATENT DOCUMENTS**

3,718,862 A \* 2/1973 Norris ..... H04B 5/06  
455/117  
D296,100 S \* 6/1988 Kubota ..... D14/228

D407,407 S \* 3/1999 Okon ..... D14/228  
D483,028 S \* 12/2003 Morrow, Jr. .... D14/225  
D498,232 S \* 11/2004 Ruhrig ..... D14/228  
D504,678 S \* 5/2005 Ruhrig ..... D14/228  
D623,631 S \* 9/2010 Kung ..... D14/228  
2014/0376761 A1\* 12/2014 Godfrey ..... H04R 1/04  
381/356

\* cited by examiner

*Primary Examiner* — Barbara G Fox

*Assistant Examiner* — Messina L Smith

(74) *Attorney, Agent, or Firm* — Banner & Witcoff, Ltd.

(57) **CLAIM**

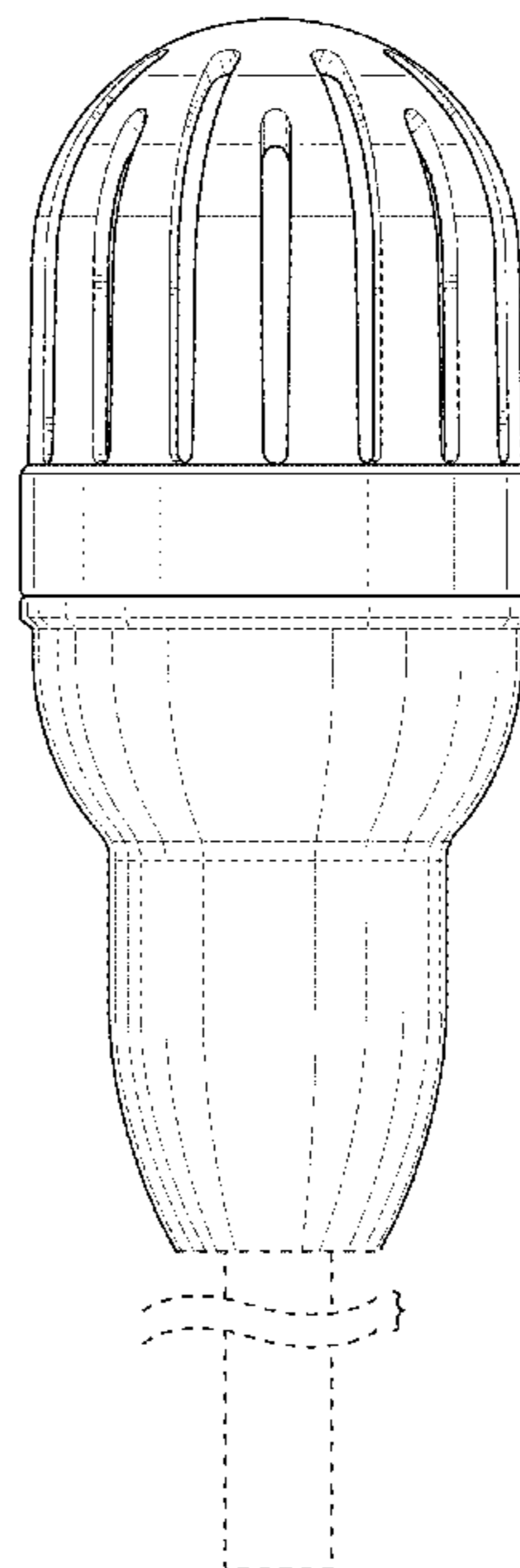
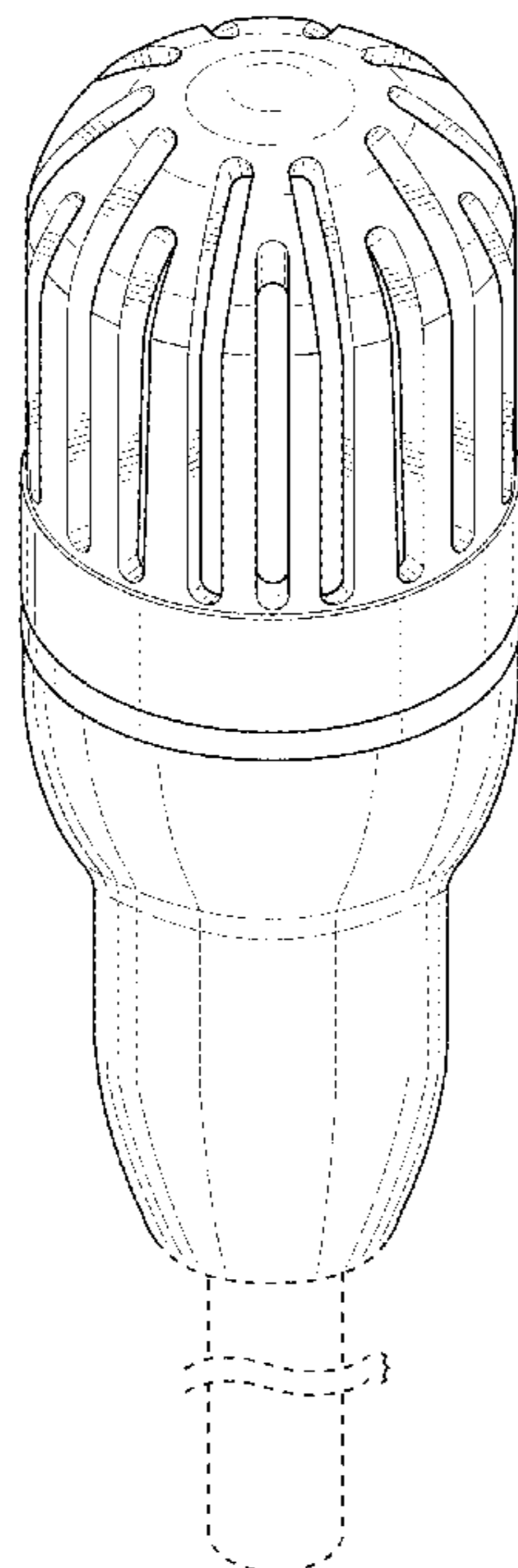
The ornamental design for a microphone, as shown and described.

**DESCRIPTION**

FIG. 1 is a top, front, right perspective view of a microphone showing our new design;  
FIG. 2 is a front view thereof;  
FIG. 3 is a right side view thereof;  
FIG. 4 is a rear view thereof;  
FIG. 5 is a left side view thereof;  
FIG. 6 is a top view thereof; and,  
FIG. 7 is a bottom view thereof.

The microphone is shown with symbolic breaks in its length. The appearance of any portion of the article between the break lines forms no part of the claimed design. The broken line immediately adjacent to the shaded area depicts a boundary line and forms no part of the claimed design. All other broken lines in the drawings depict portions of the microphone that form no part of the claimed design.

**1 Claim, 7 Drawing Sheets**



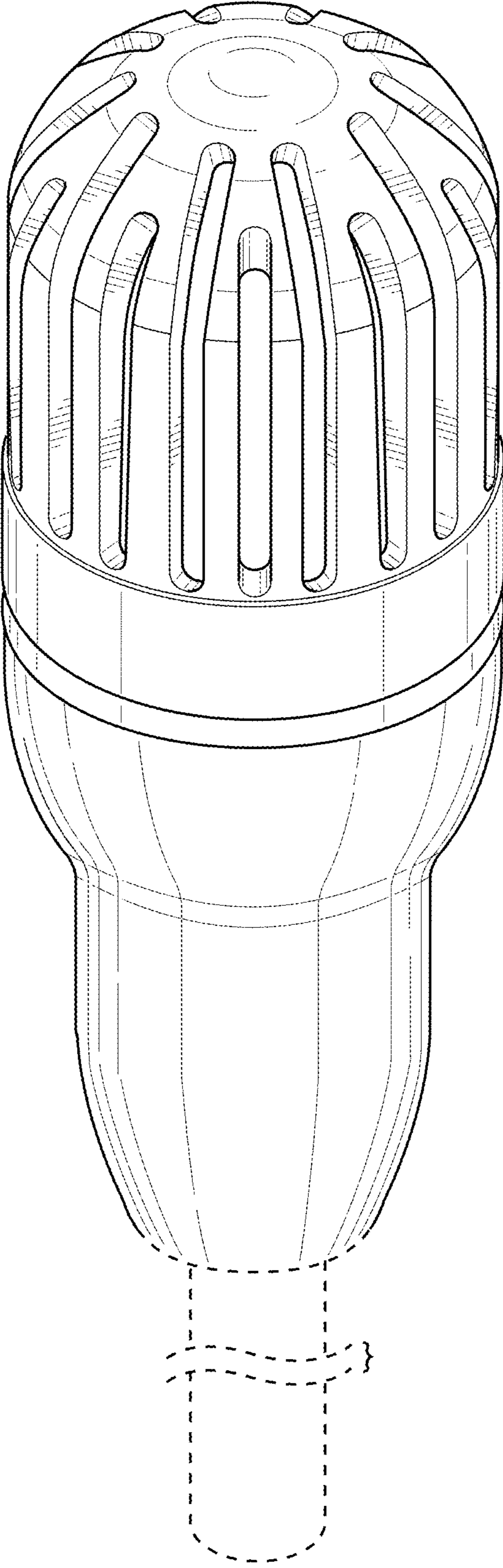


FIG. 1

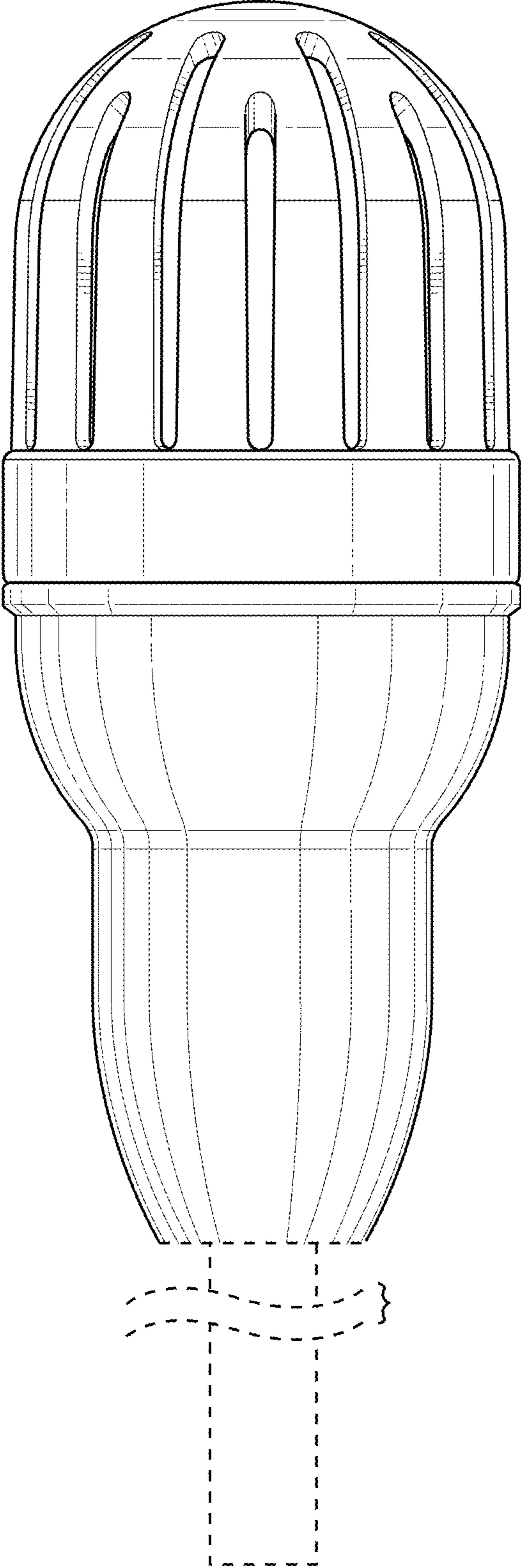
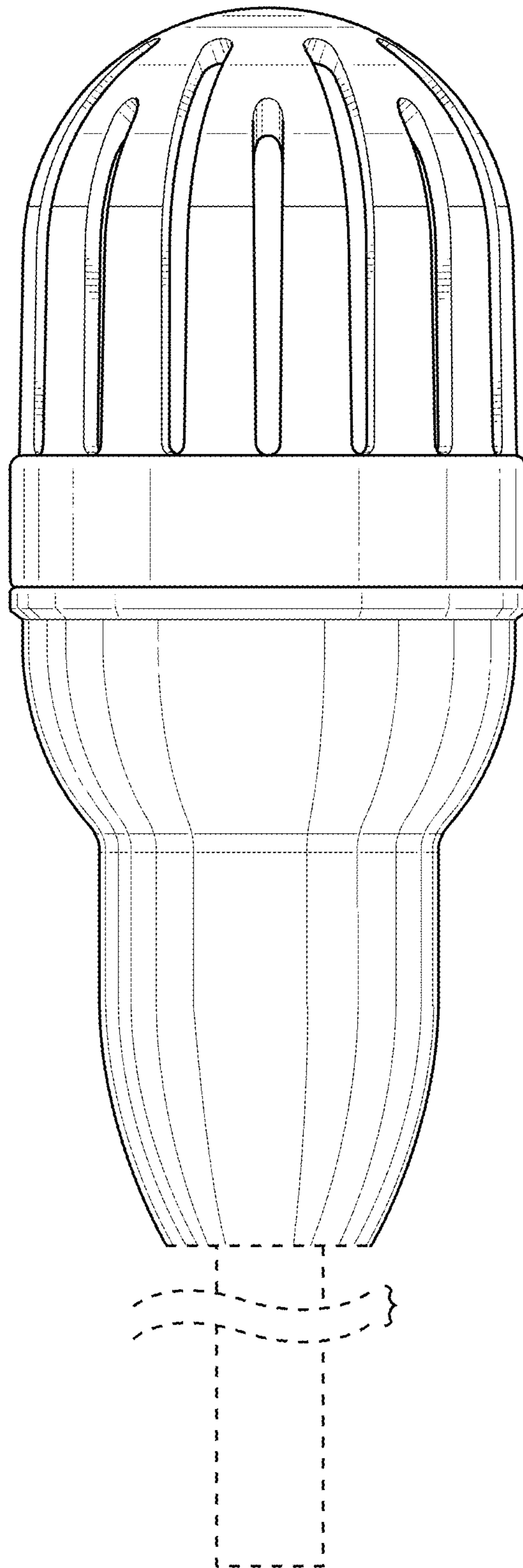


FIG. 2



**FIG. 3**

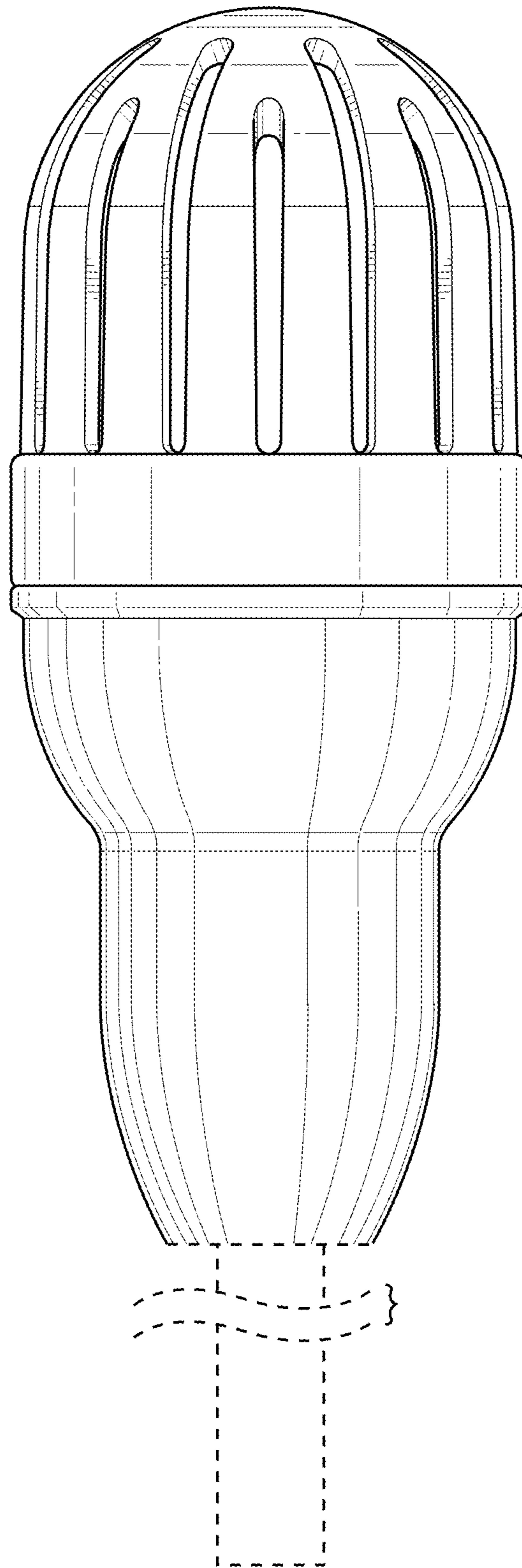


FIG. 4



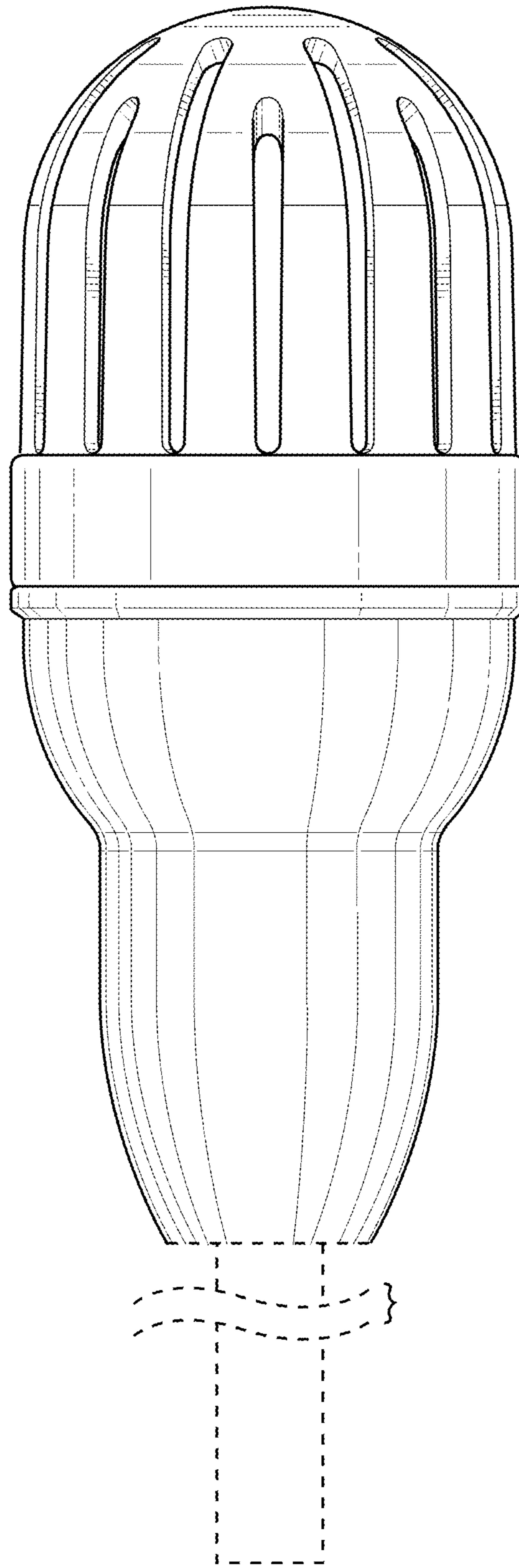
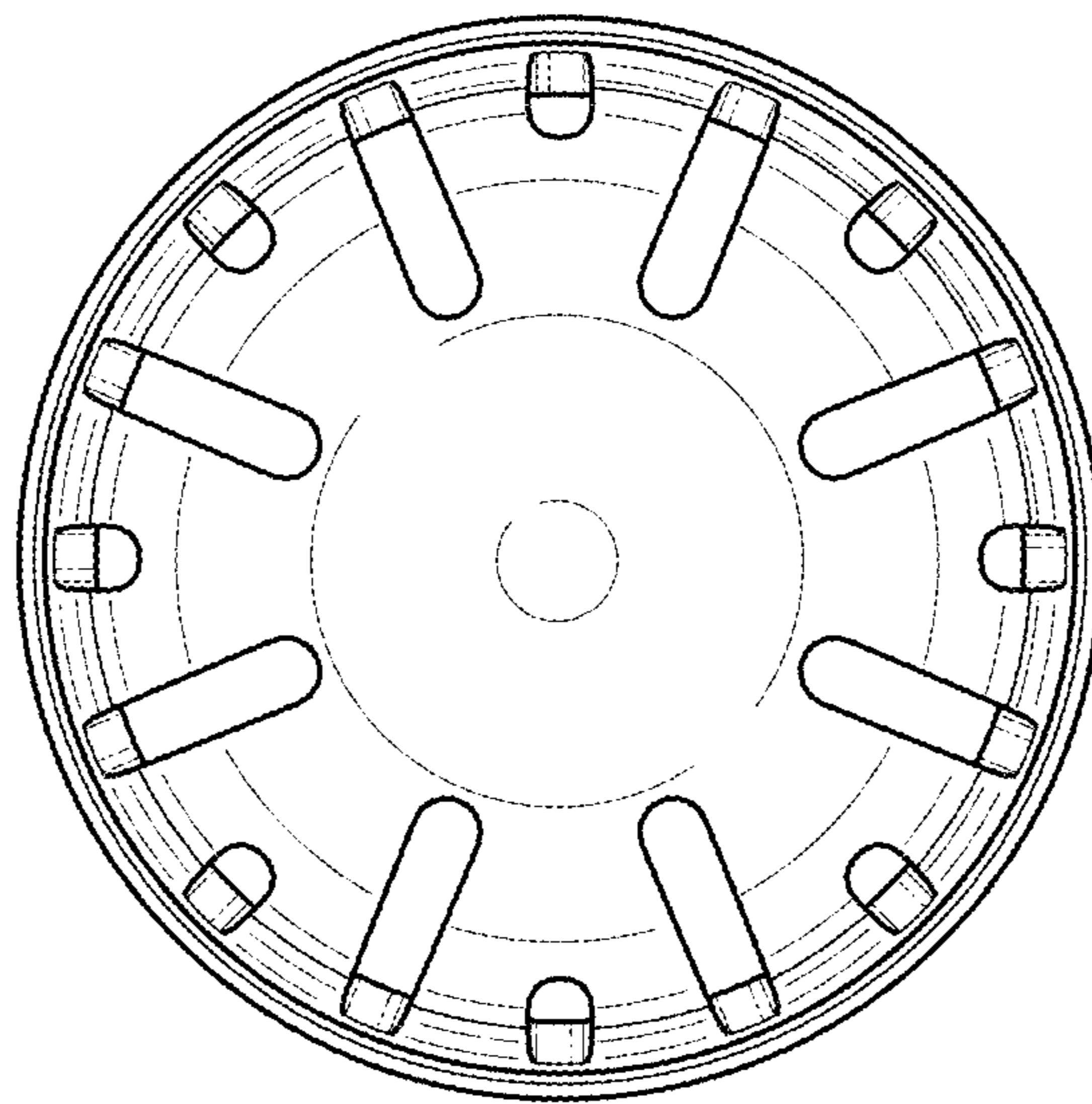
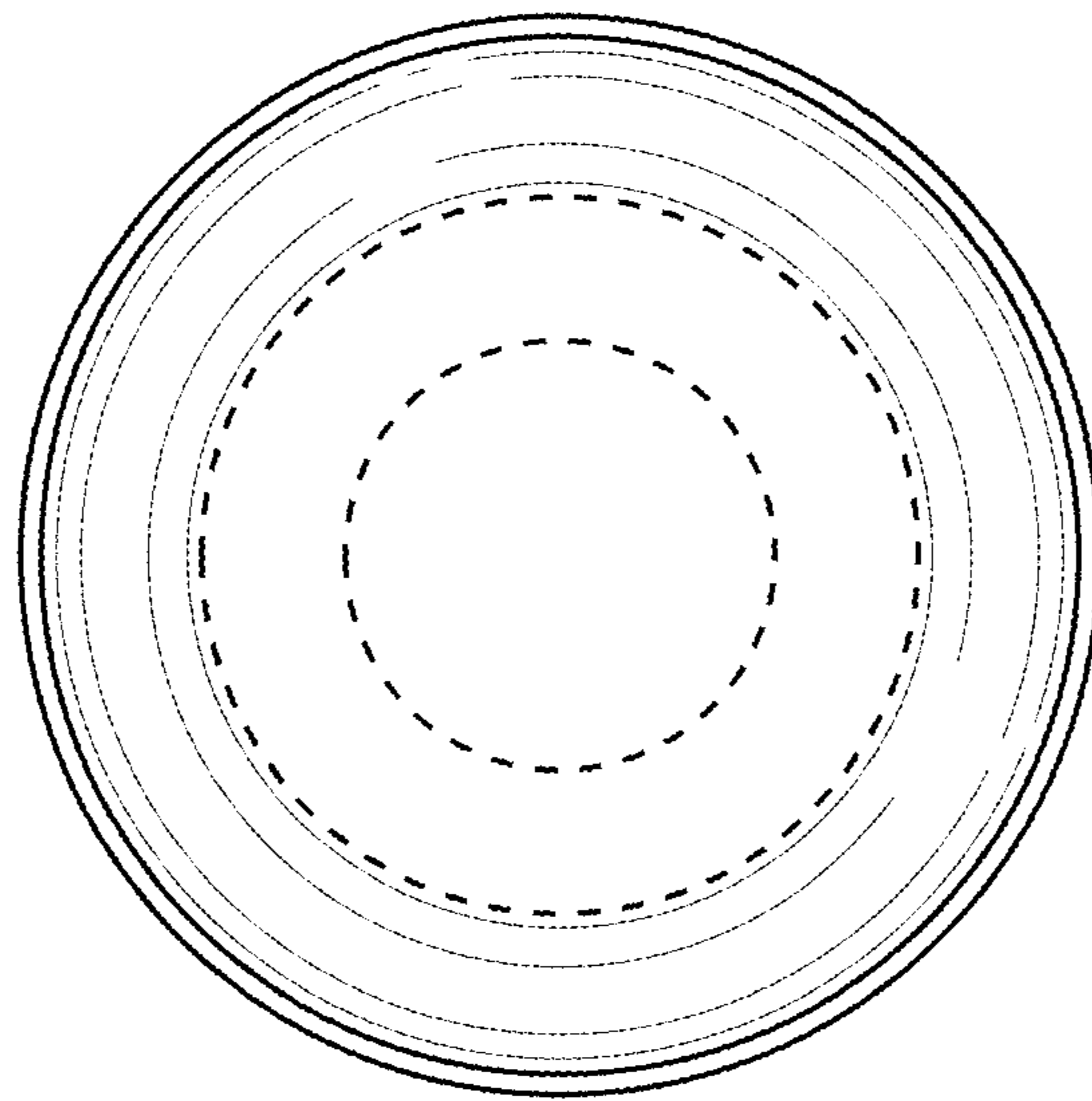


FIG. 5



**FIG. 6**



**FIG. 7**