



US00D829193S

(12) **United States Design Patent** (10) **Patent No.:** **US D829,193 S**
Cai (45) **Date of Patent:** **** Sep. 25, 2018**

(54) **EARPHONE**

(71) Applicant: **Guangzhou Lanshidun Electronic Limited Company, Guangzhou (CN)**

(72) Inventor: **Hejin Cai, Guangzhou (CN)**

(73) Assignee: **Guangzhou Lanshidun Electronic Limited Company, Guangzhou (CN)**

(**) Term: **15 Years**

(21) Appl. No.: **29/655,380**

(22) Filed: **Jul. 3, 2018**

(51) **LOC (11) Cl.** **14-01**

(52) **U.S. Cl.**
USPC **D14/223; D14/205**

(58) **Field of Classification Search**
USPC D14/223, 205; D24/174; 128/865, 866, 128/867; 379/430, 431; 381/380, 381, 381/322, 330, 328, 370, 353, 372, 373, 381/74; 455/90.3, 575.1, 569.1
CPC H04R 1/10; H04R 25/00; H04R 25/02; H04R 1/1058; H04R 1/1016; H04R 25/65; H04R 1/20; H04R 1/105; H04R 1/1091

See application file for complete search history.

(56) **References Cited**

U.S. PATENT DOCUMENTS

- 6,084,976 A * 7/2000 Lin H04R 1/1016 181/129
- D431,553 S * 10/2000 Suzuki D14/223
- 6,574,345 B1 * 6/2003 Huang H04R 1/1016 379/430
- D531,169 S * 10/2006 Tokioka D14/223
- D554,627 S * 11/2007 Gondo D14/223
- D555,152 S * 11/2007 Wang D14/223
- D567,217 S * 4/2008 Kamo D14/205
- D573,978 S * 7/2008 Ledbetter D14/205
- D586,332 S * 2/2009 Ewert D14/223

- D587,685 S * 3/2009 Densho D14/206
- D591,722 S * 5/2009 Densho D14/205
- D598,894 S * 8/2009 Masuda D14/205
- D599,778 S * 9/2009 Ando D14/205
- D606,971 S * 12/2009 Christopher D14/205
- D623,171 S * 9/2010 Chen D14/223
- D626,117 S * 10/2010 Lowry D14/223
- D627,766 S * 11/2010 Arimoto D14/223
- D636,763 S * 4/2011 Walter D14/223
- D643,416 S * 8/2011 Chong D14/223
- D664,523 S * 7/2012 Naitou D14/223
- D667,818 S * 9/2012 Sogabe D14/223
- 8,594,359 B2 * 11/2013 Takei H04R 1/1016 381/370
- D701,195 S * 3/2014 Katsumata D14/223

(Continued)

FOREIGN PATENT DOCUMENTS

- CN 304514314 2/2018
- EM 004525608-0001 11/2017

Primary Examiner — Paula Allen Greene

(74) *Attorney, Agent, or Firm* — JCIPRNET

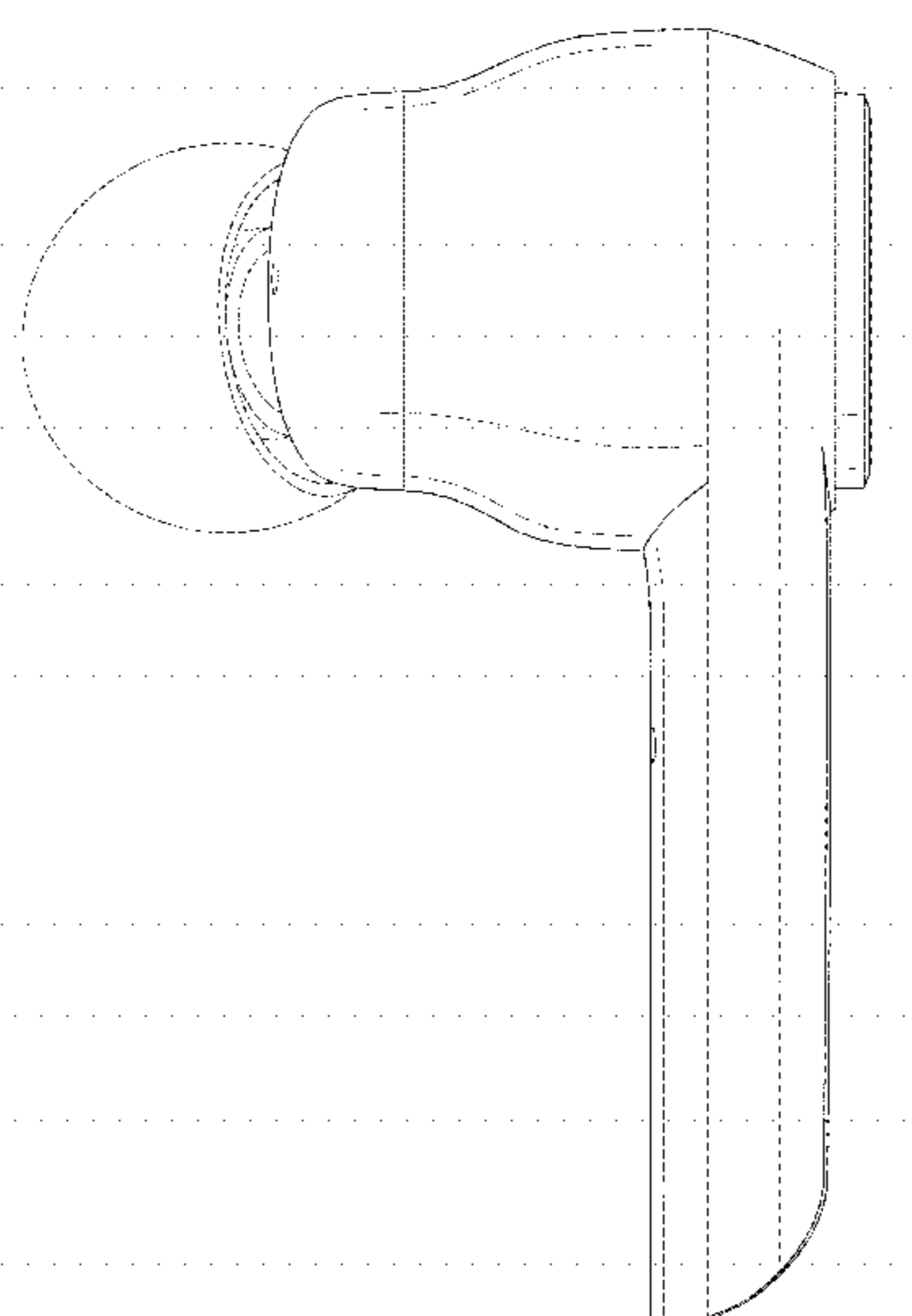
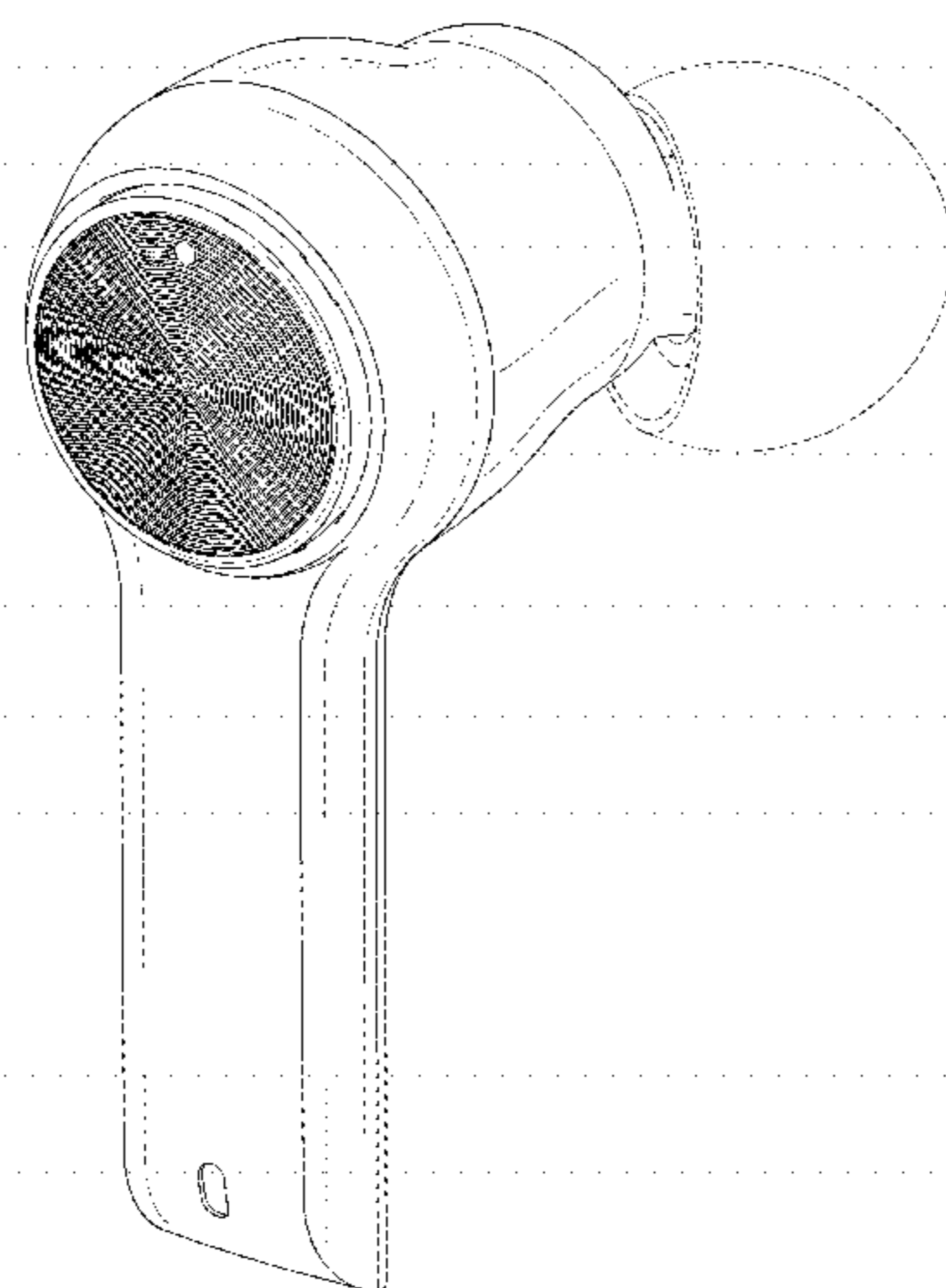
(57) **CLAIM**

The ornamental design for an earphone, as shown and described.

DESCRIPTION

FIG. 1 is a perspective view of an earphone showing my new design;
 FIG. 2 is another perspective view thereof;
 FIG. 3 is a front view thereof;
 FIG. 4 is a rear view thereof;
 FIG. 5 is a left side view thereof;
 FIG. 6 is a right side view thereof;
 FIG. 7 is a top view thereof; and,
 FIG. 8 is a bottom view thereof.
 The broken line portions of the earphone in FIGS. 1-8 represent unclaimed portions of the claimed design and form no part thereof.

1 Claim, 8 Drawing Sheets



(56)

References Cited

U.S. PATENT DOCUMENTS

D702,668 S *	4/2014	Narita	H04R 1/10	D784,298 S *	4/2017	Ozawa	D14/223
				D14/223	D784,962 S *	4/2017	Yang	D14/223
D707,652 S *	6/2014	Brunner	H04R 25/00	D786,221 S *	5/2017	Stoch	D14/223
				D14/205	D802,562 S *	11/2017	Baba	D14/223
D710,334 S *	8/2014	Yang	D14/223	D806,685 S *	1/2018	Park	D14/223
8,831,266 B1 *	9/2014	Huang	H04R 1/1091	D822,009 S *	7/2018	Matoba	D14/223
				381/370	2008/0013774 A1 *	1/2008	Hosaka	H04R 1/1075
D718,286 S *	11/2014	Yang	D14/223					381/380
D719,548 S *	12/2014	Thompson	D14/223	2008/0044003 A1 *	2/2008	Yang	H04R 1/1016
D729,775 S *	5/2015	Seo	D14/205					379/430
D732,508 S *	6/2015	Funayama	D14/223	2011/0317864 A1 *	12/2011	Kaneko	H04R 1/1066
D732,509 S *	6/2015	Brunner	H04R 25/00					381/380
				D14/223	2012/0057738 A1 *	3/2012	Lin	H04R 1/1091
D733,101 S *	6/2015	Pi	D14/223					381/370
D741,287 S *	10/2015	Harata	D14/205	2013/0170692 A1 *	7/2013	Kaneko	H04R 1/1016
D742,860 S *	11/2015	Miyake	D14/223					381/380
D746,268 S *	12/2015	Karayiannis	D14/223	2014/0205125 A1 *	7/2014	Triato	H04R 1/1066
D746,792 S *	1/2016	Kim	D14/205					381/330
D755,759 S *	5/2016	Cai	D14/223	2016/0205458 A1 *	7/2016	Huang	H04R 1/1016
									381/380

* cited by examiner

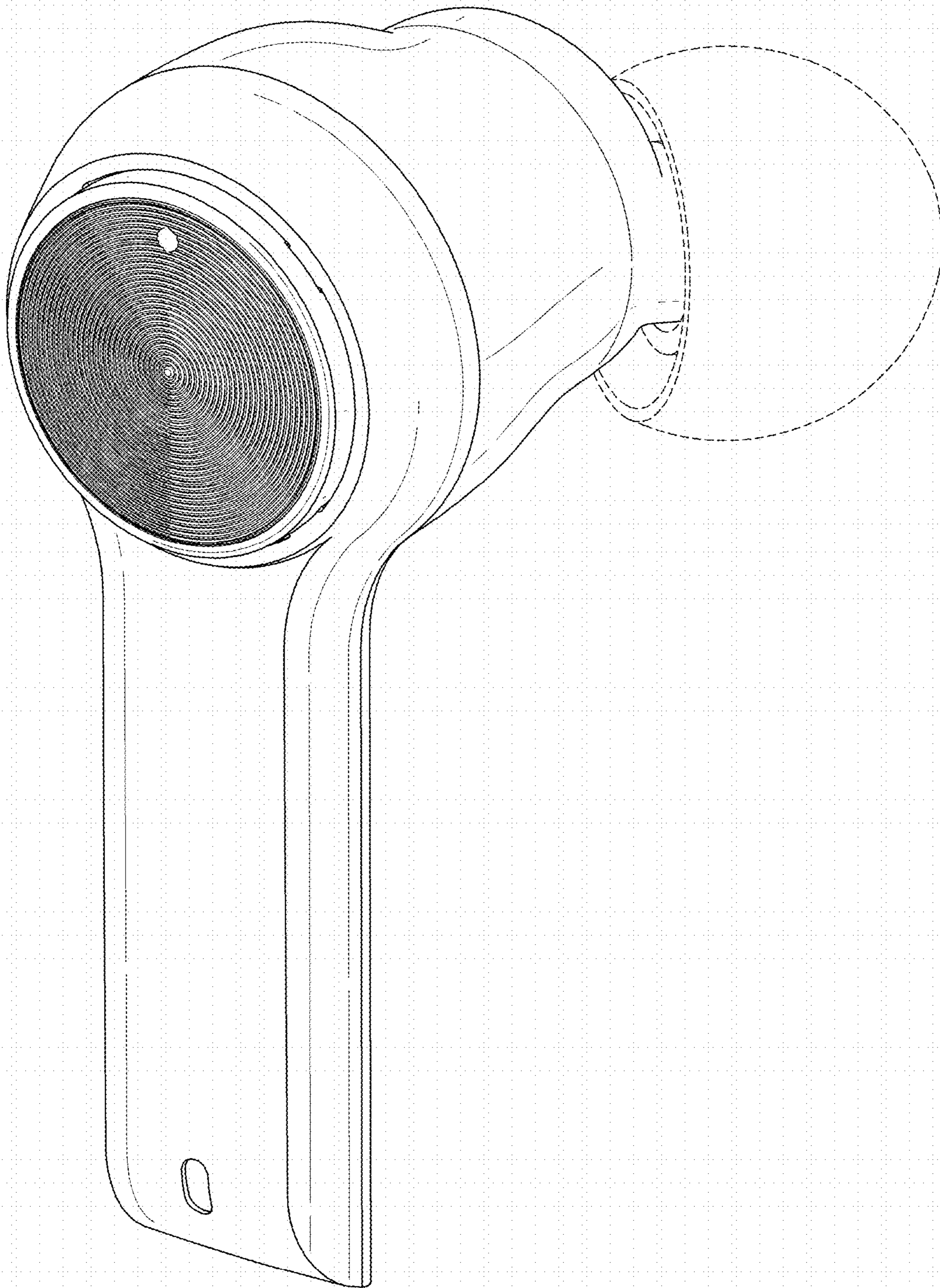


FIG. 1

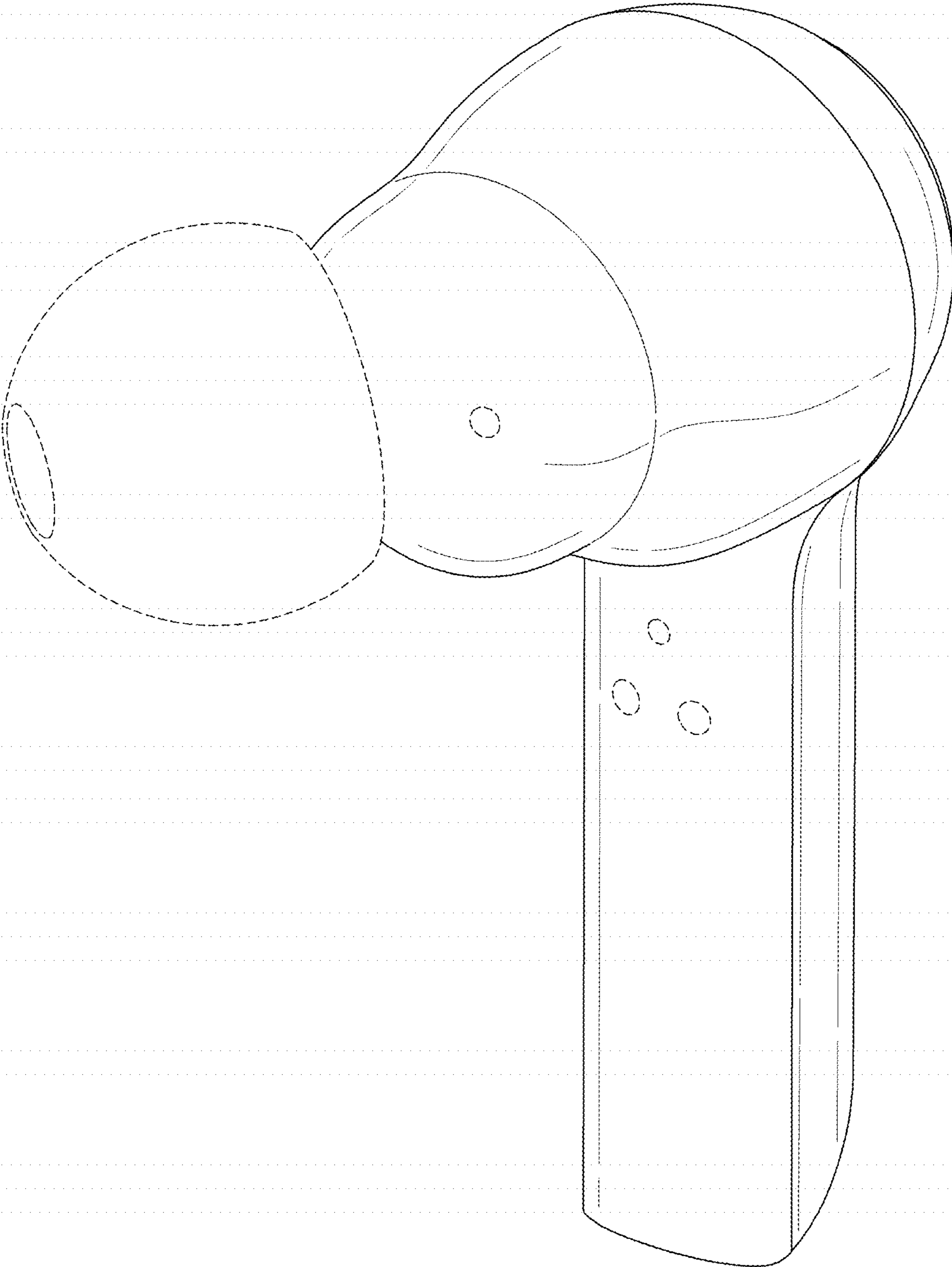


FIG. 2

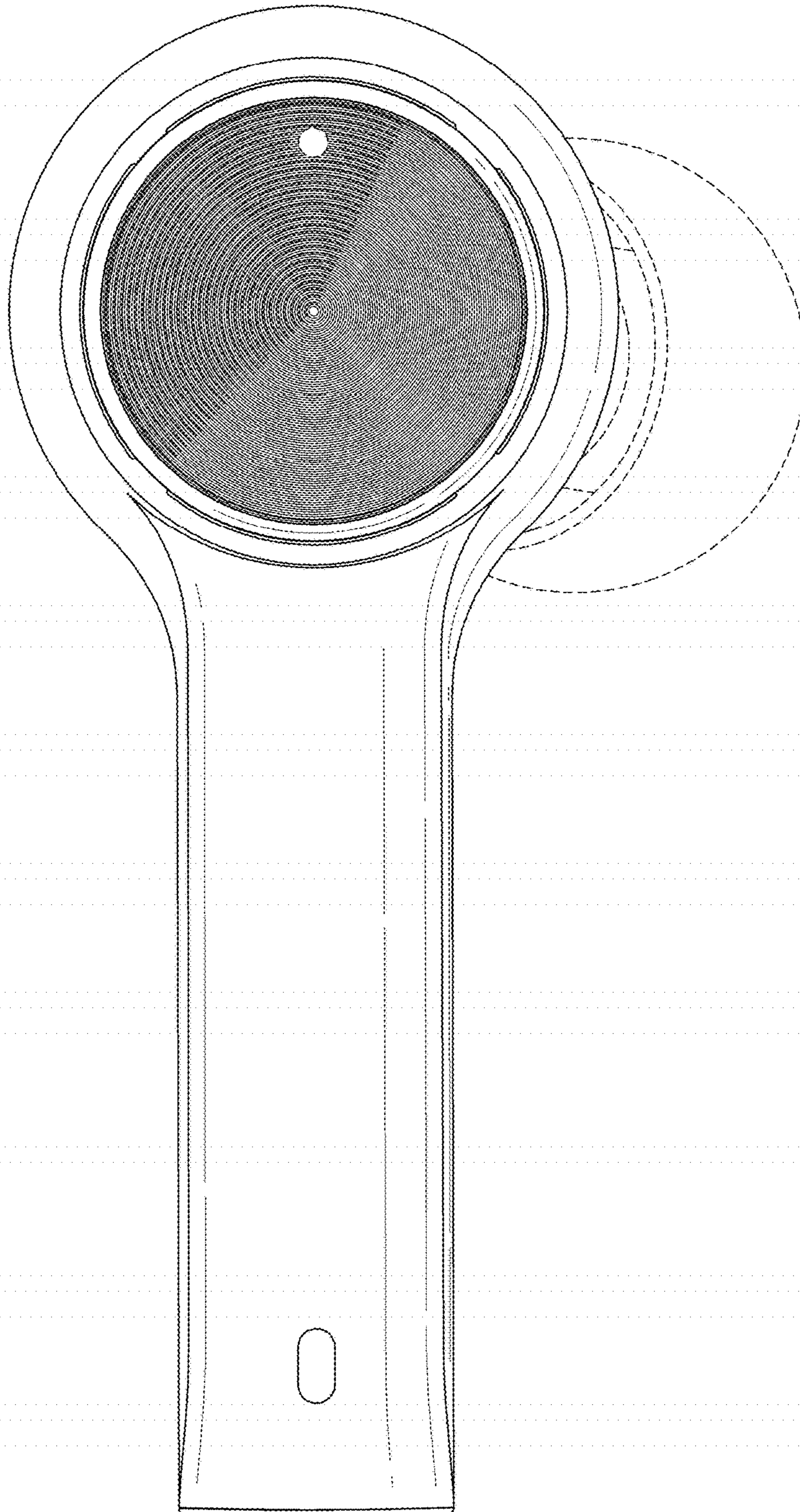


FIG. 3

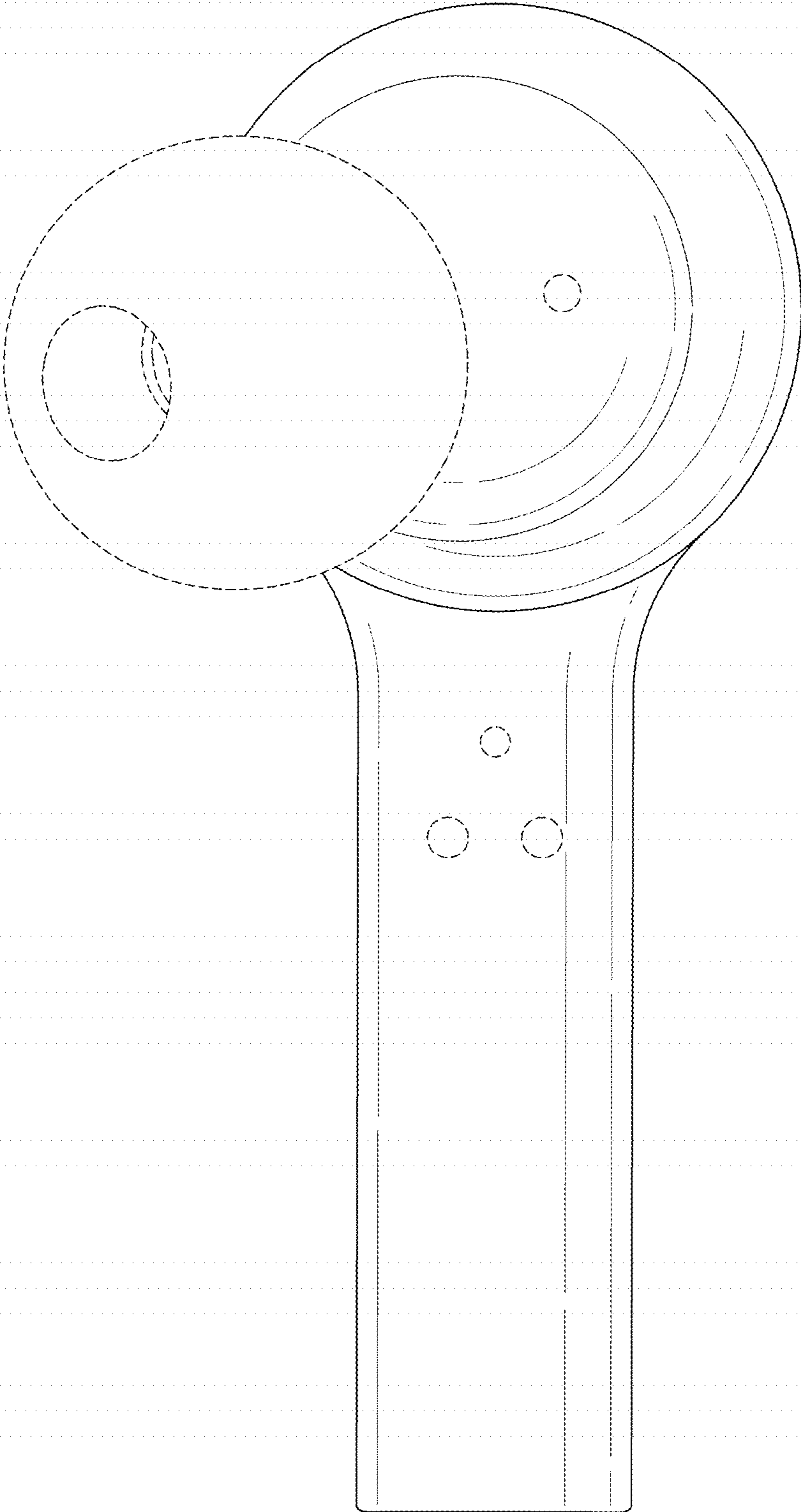


FIG. 4

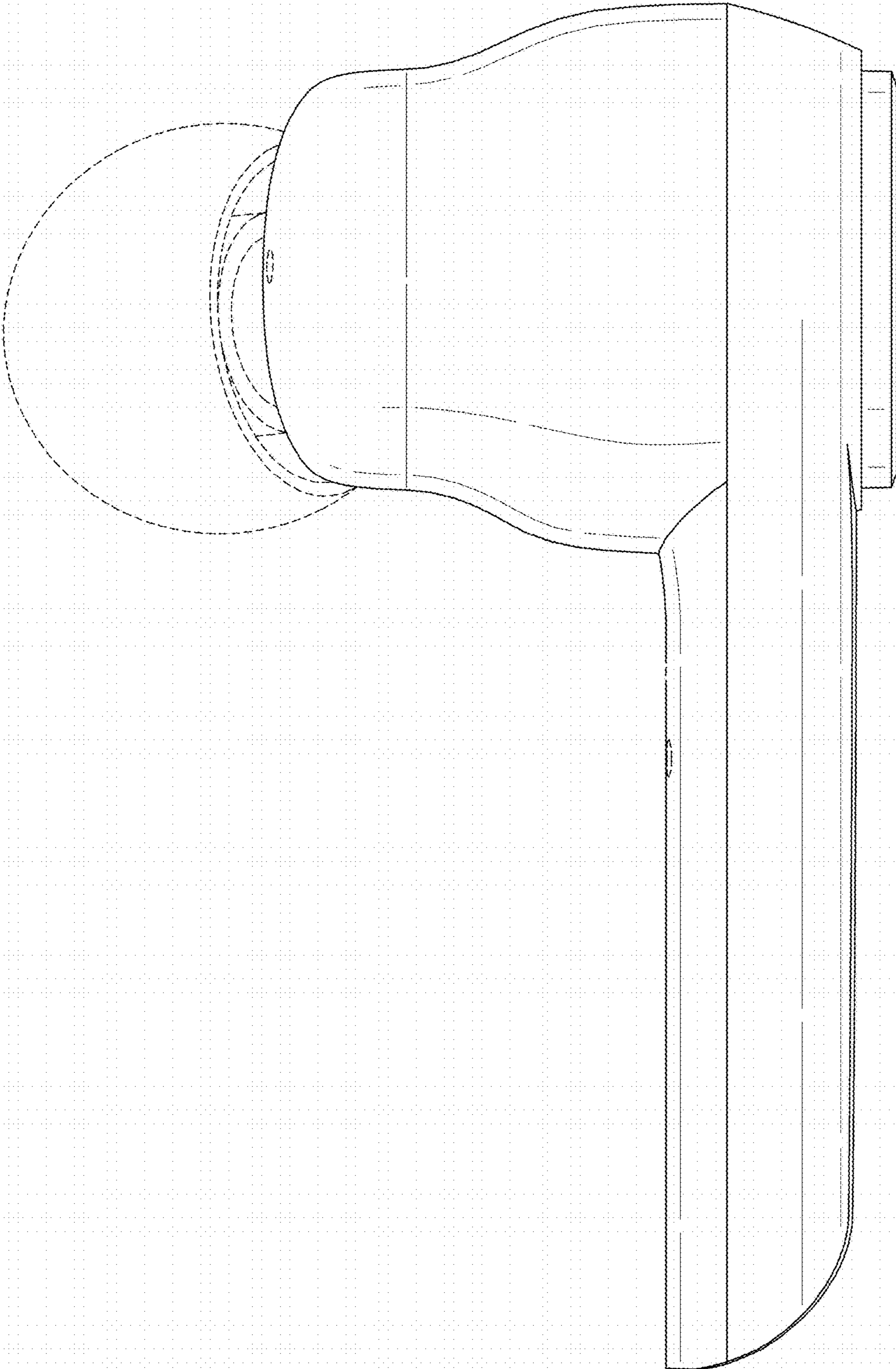


FIG. 5

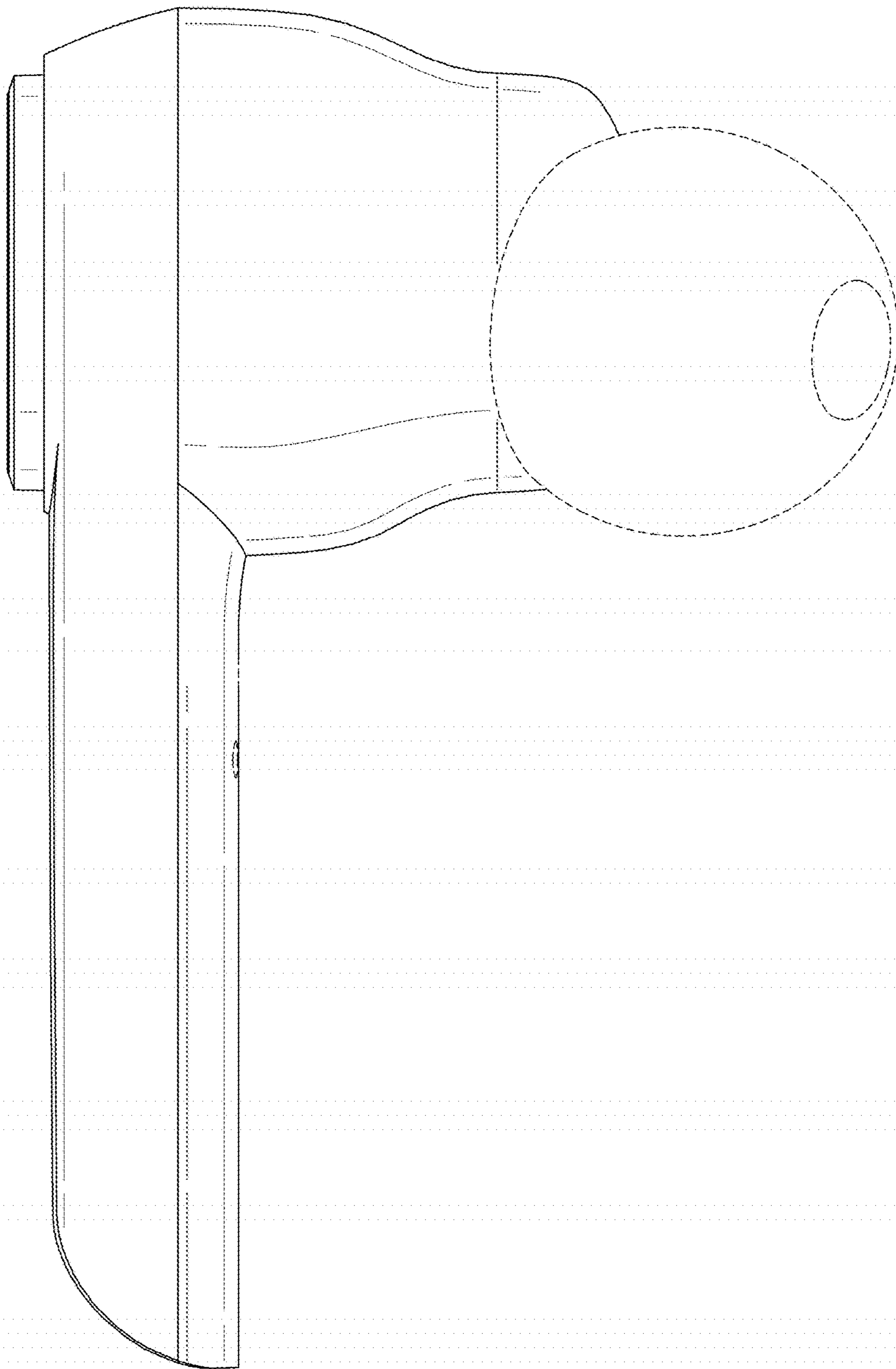


FIG. 6

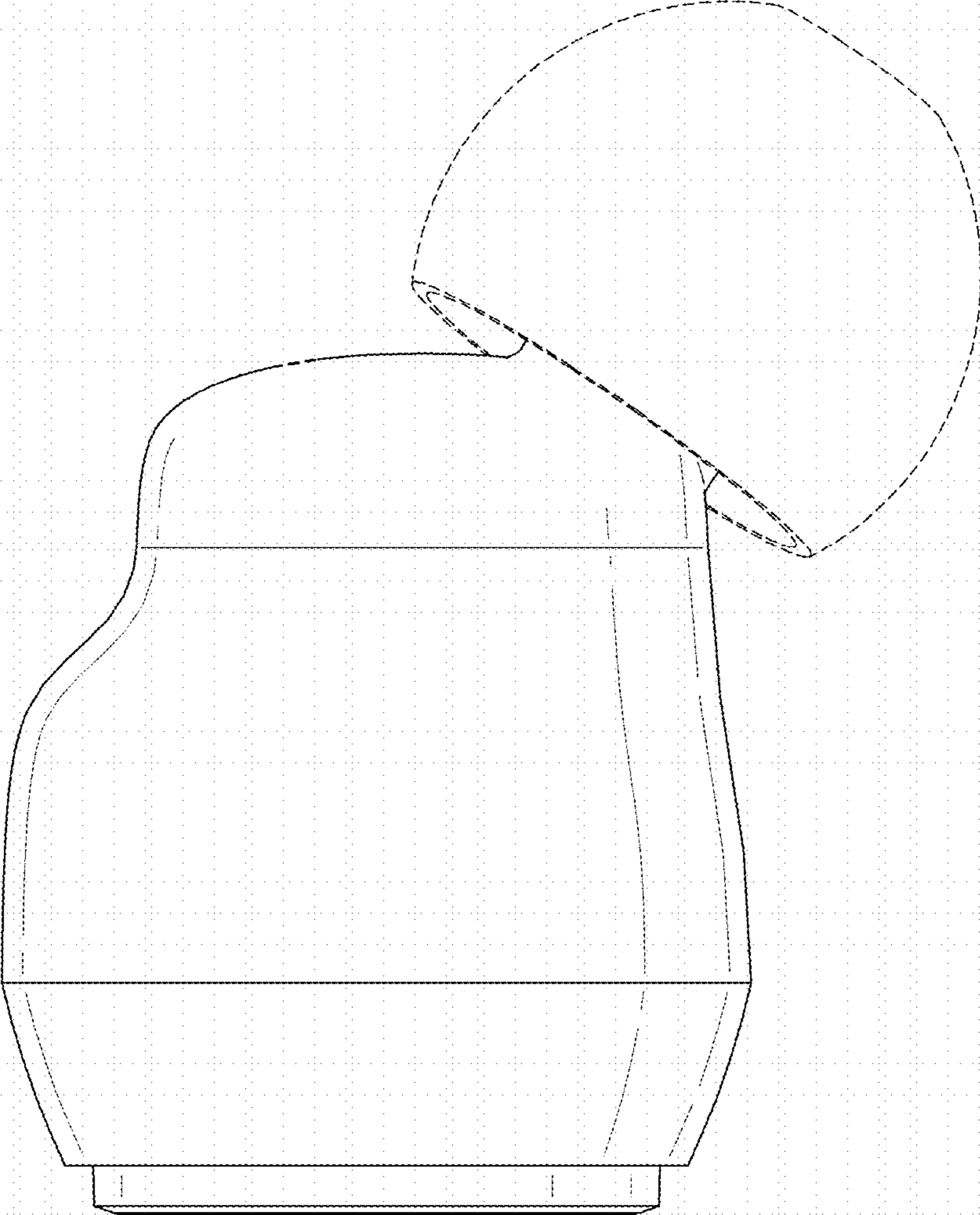


FIG. 7

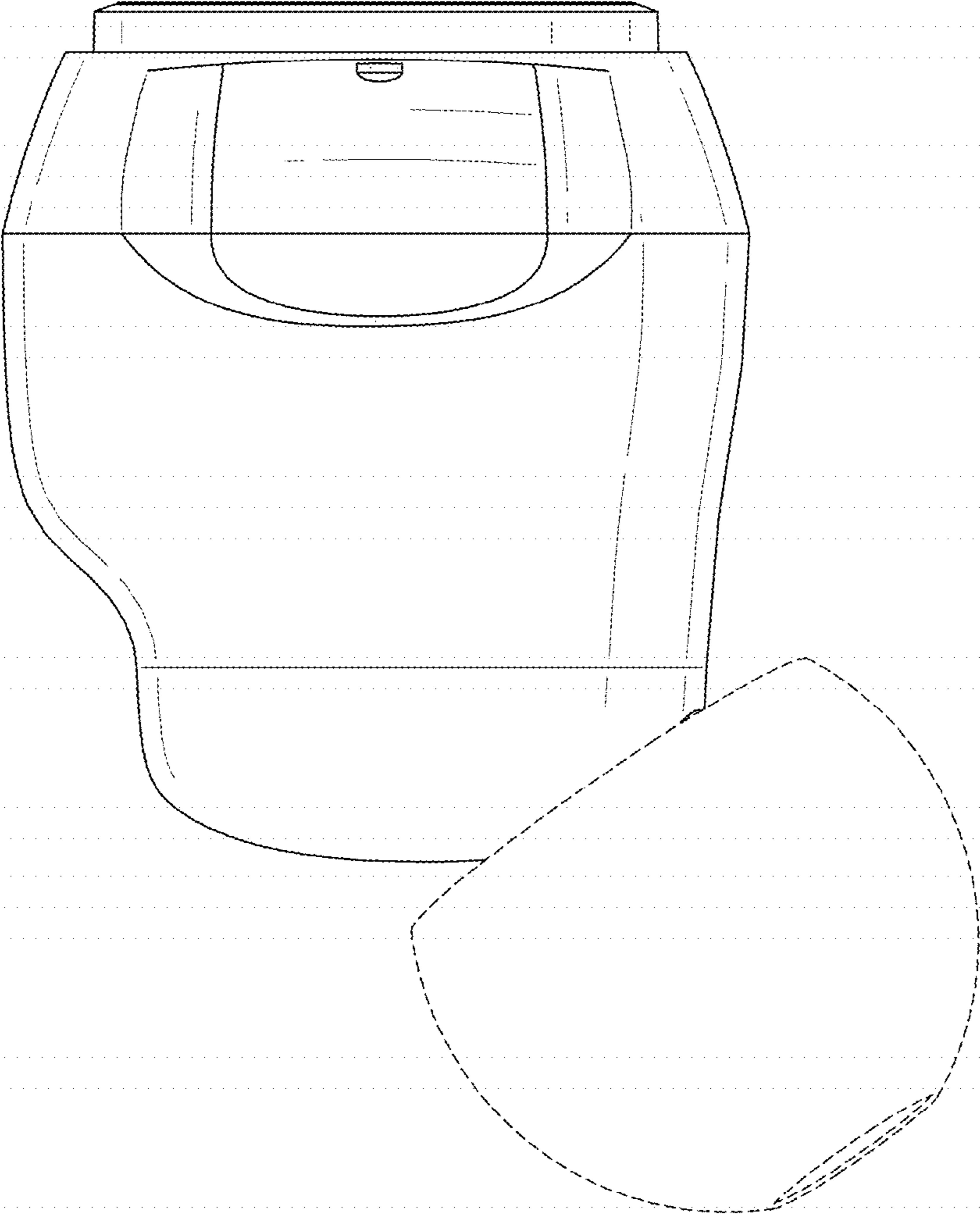


FIG. 8