



US00D829191S

(12) **United States Design Patent**
Yang et al.

(10) **Patent No.:** **US D829,191 S**
(45) **Date of Patent:** **** Sep. 25, 2018**

(54) **SPEAKER**

(71) Applicant: **LG ELECTRONICS INC.**, Seoul (KR)

(72) Inventors: **Heesu Yang**, Seoul (KR); **Areum Kwon**, Seoul (KR); **Woosuk Park**, Seoul (KR); **Gangho Woo**, Seoul (KR); **JunKi Kim**, Seoul (KR)

(73) Assignee: **LG ELECTRONICS INC.**, Seoul (KR)

(**) Term: **15 Years**

(21) Appl. No.: **35/503,788**

(22) Filed: **Apr. 5, 2017**

(80) **Hague Agreement Data**

Int. Filing Date: **Apr. 5, 2017**
Int. Reg. No.: **DM/096069**
Int. Reg. Date: **Apr. 5, 2017**
Int. Reg. Pub. Date: **Oct. 6, 2017**

(30) **Foreign Application Priority Data**

Oct. 6, 2016 (KR) 30-2016-0048030

(51) **LOC (11) Cl.** **14-03**

(52) **U.S. Cl.**
USPC **D14/214**

(58) **Field of Classification Search**

USPC D14/204, 209.1, 210, 211, 212, 213-217, D14/221, 224
CPC ... H04R 1/26; H04R 5/00; H04R 5/02; H04R 1/02; H04R 1/28; H04R 7/26; H04R 25/00; H05K 5/00

See application file for complete search history.

(56) **References Cited**

U.S. PATENT DOCUMENTS

D419,158 S *	1/2000	Mackie	D14/214
D527,373 S *	8/2006	Takei	D14/214
D599,324 S *	9/2009	Shen	D14/196
D647,503 S *	10/2011	Moore	D14/207
D679,265 S *	4/2013	Lee	D14/204
D695,269 S *	12/2013	Carpenter	D14/209.1
D698,335 S *	1/2014	Plattard	D14/210
D710,332 S *	8/2014	Baird	D14/221
D741,293 S *	10/2015	Baird	D14/214
D744,981 S *	12/2015	Choi	D14/209.1
D759,631 S *	6/2016	Espinosa	D14/215
D760,191 S *	6/2016	Nugent	D14/214
D806,671 S *	1/2018	Kalyuzhny	D14/204

* cited by examiner

Primary Examiner — Michael A. Pratt

(74) *Attorney, Agent, or Firm* — Birch, Stewart, Kolasch & Birch, LLP

(57) **CLAIM**

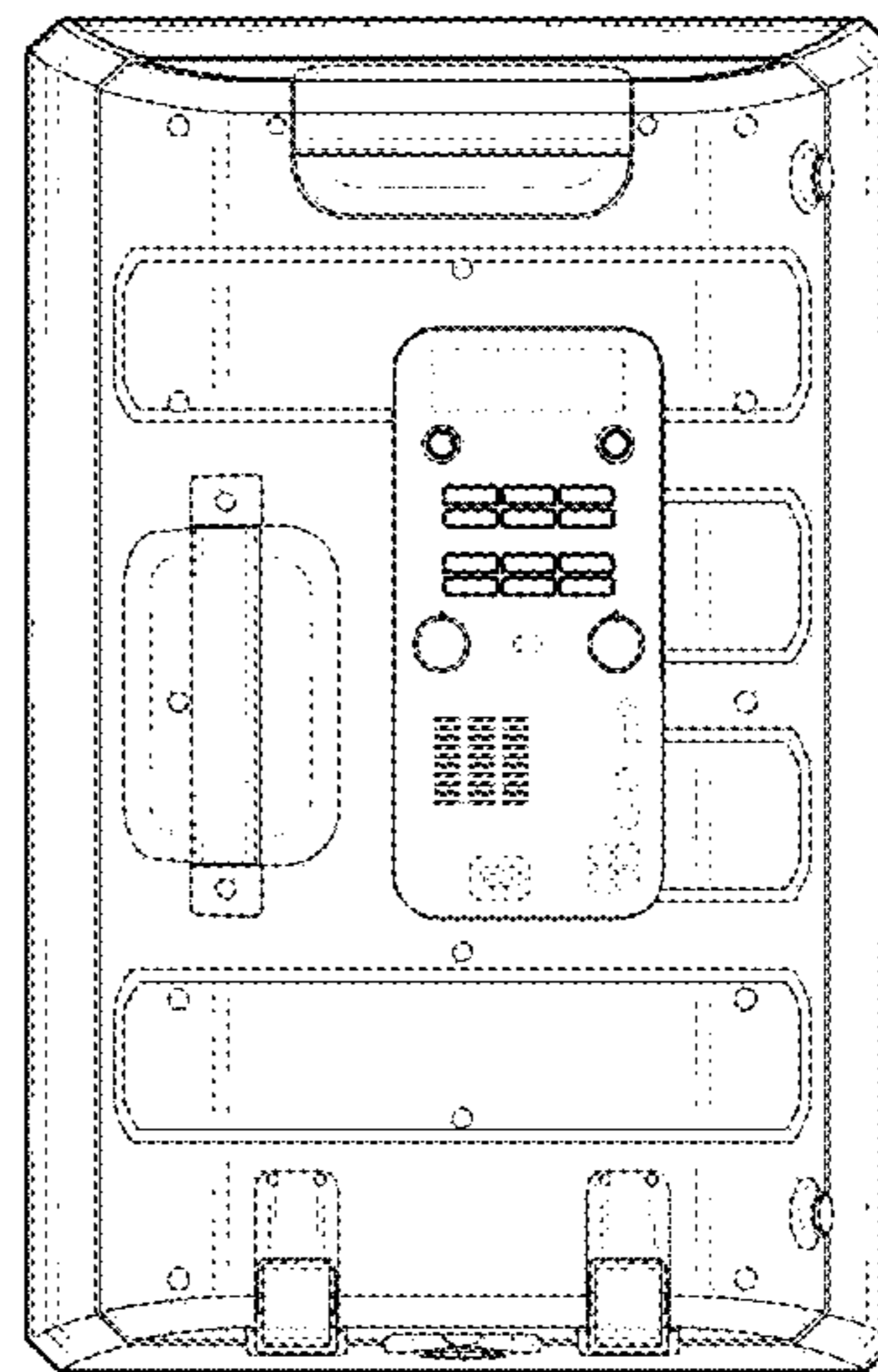
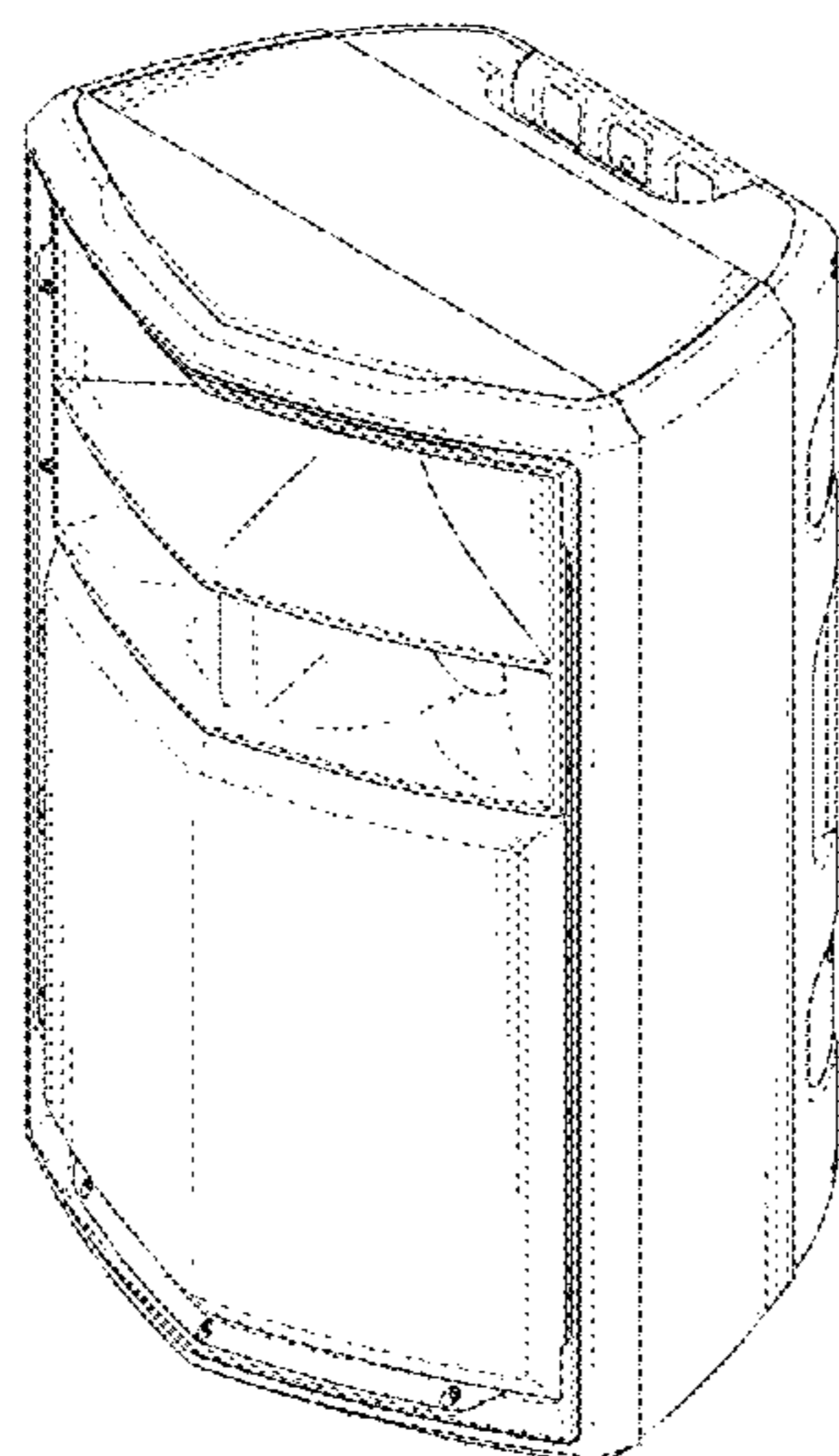
The ornamental design for a speaker, as shown and described.

DESCRIPTION

- 1. Speaker
- 1.1 : Perspective
- 1.2 : Front
- 1.3 : Back
- 1.4 : Left
- 1.5 : Right
- 1.6 : Top
- 1.7 : Bottom

The present ornamental design is a combination of the shape and pattern of a “speaker” as shown and described. The broken line shown in figure 1.3 is included for the purpose of illustrating portions of the speaker that forms no part of the claimed design.

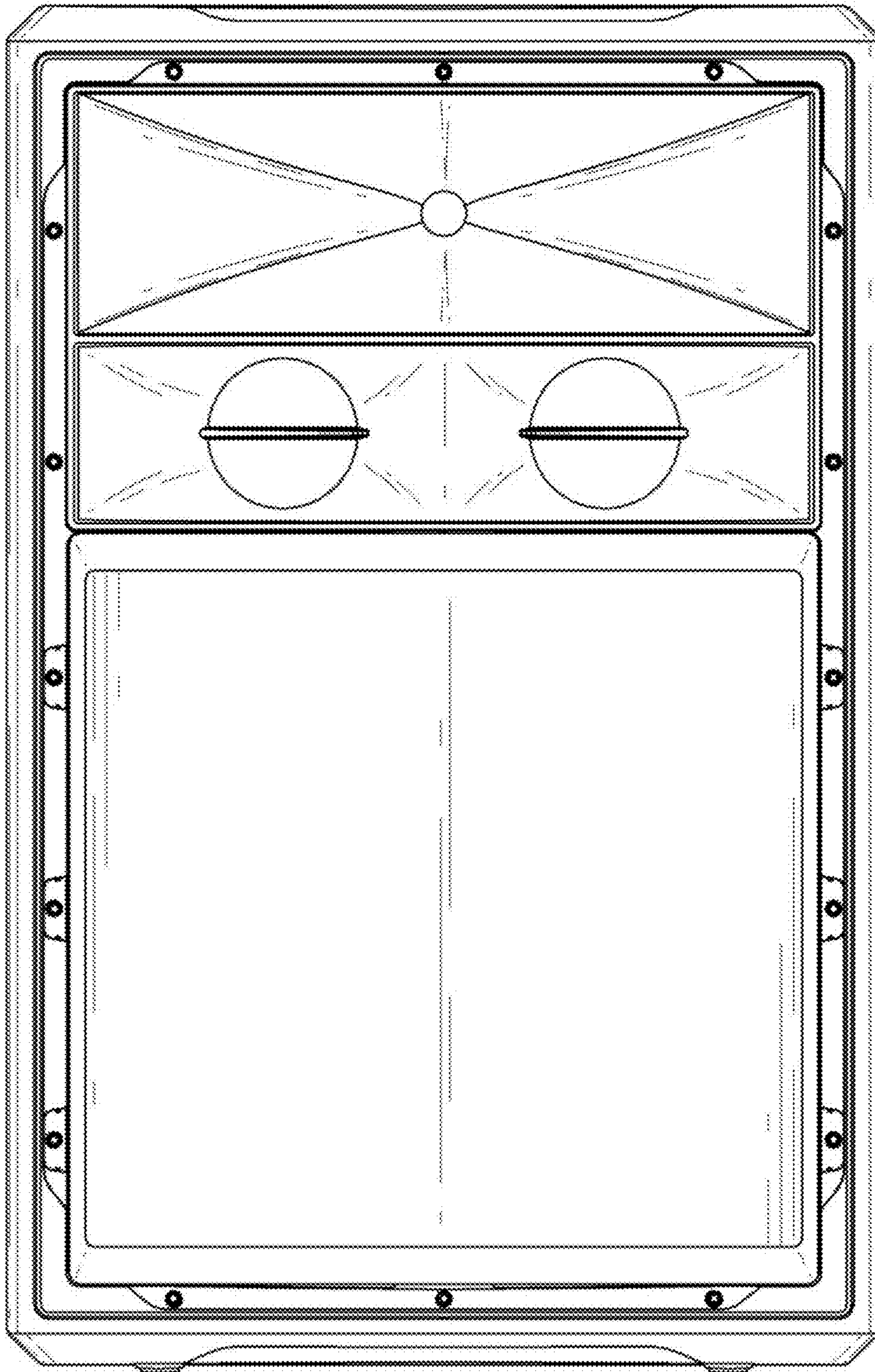
1 Claim, 7 Drawing Sheets



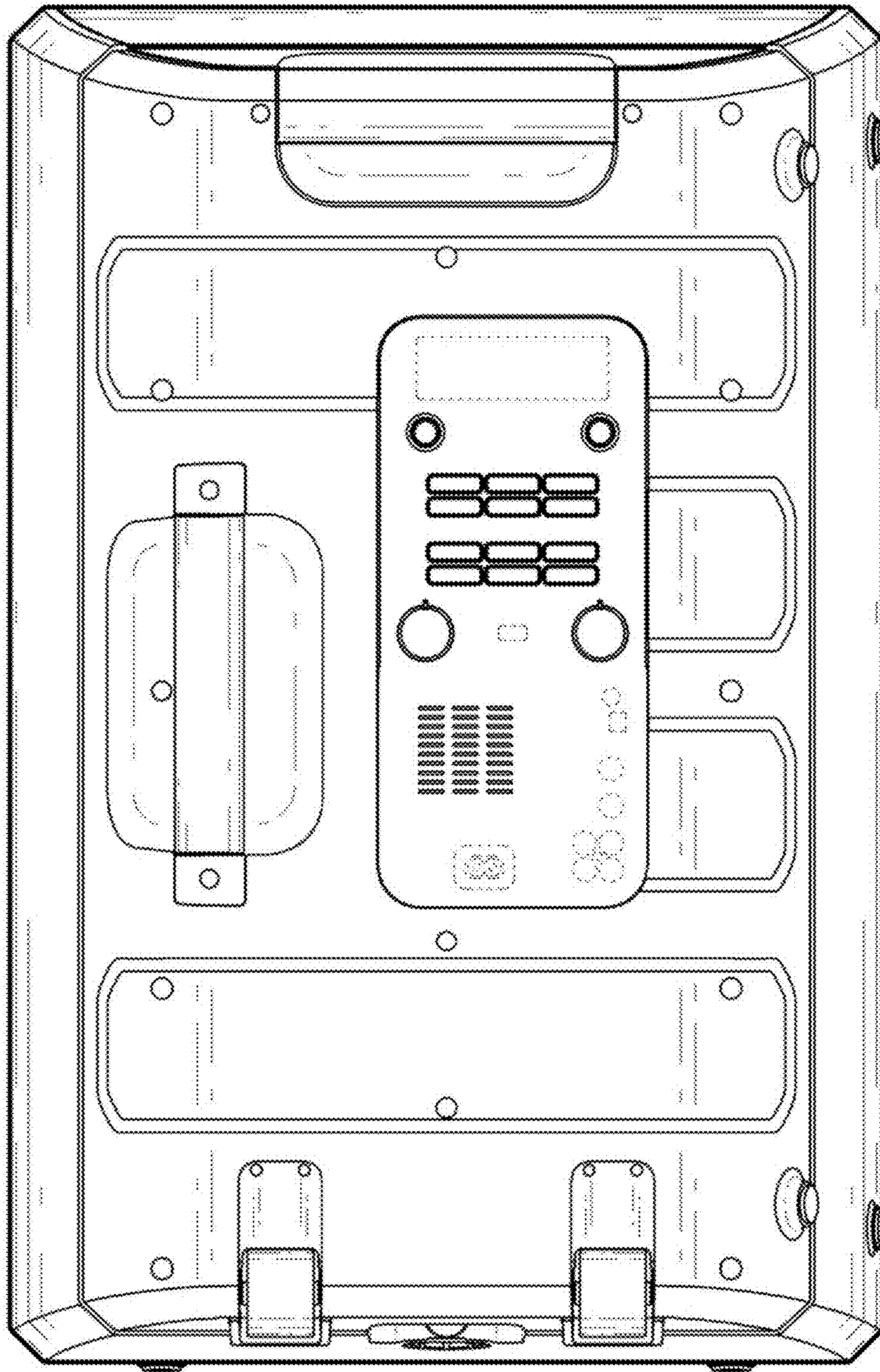
1.1



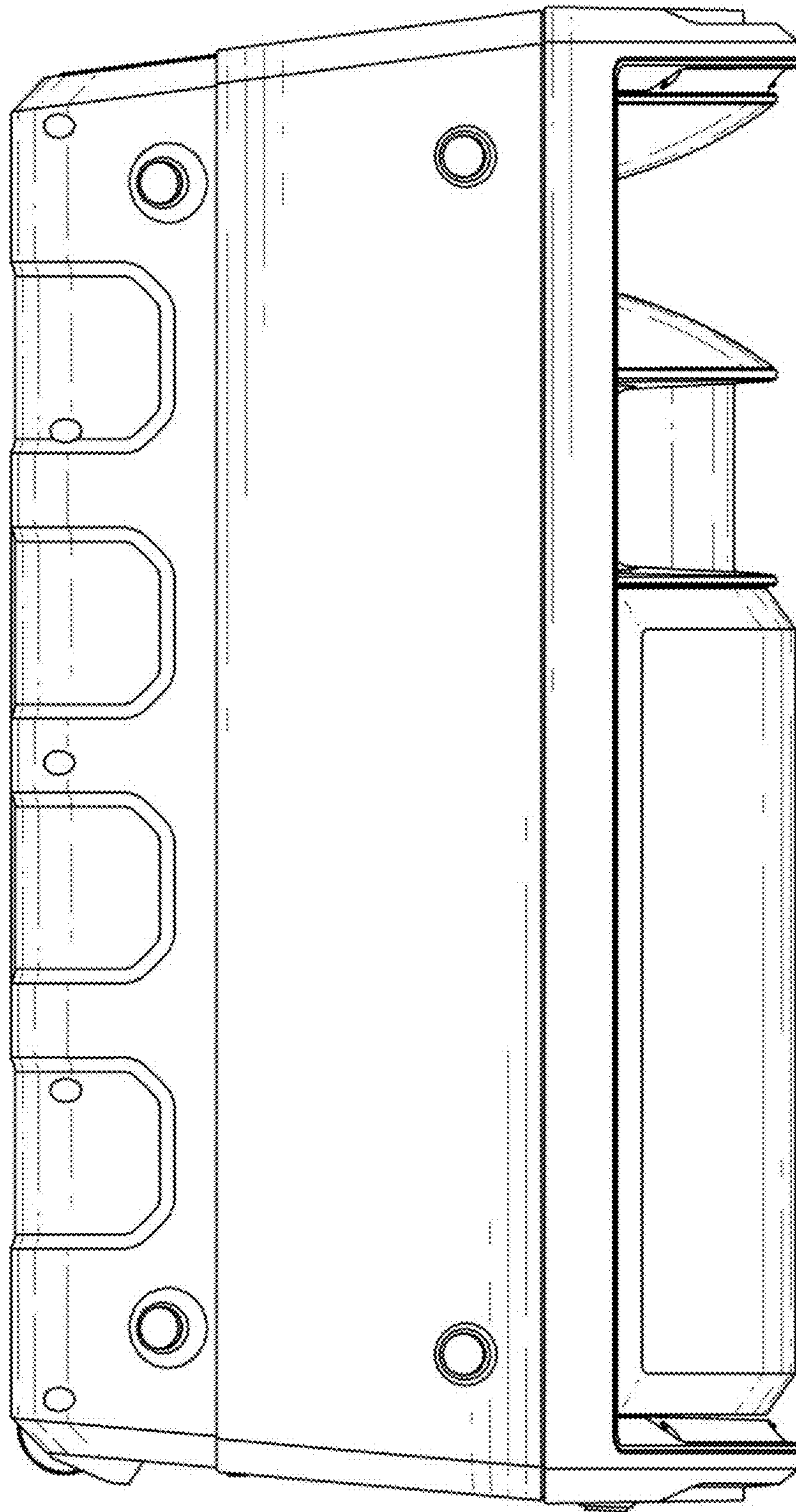
1.2



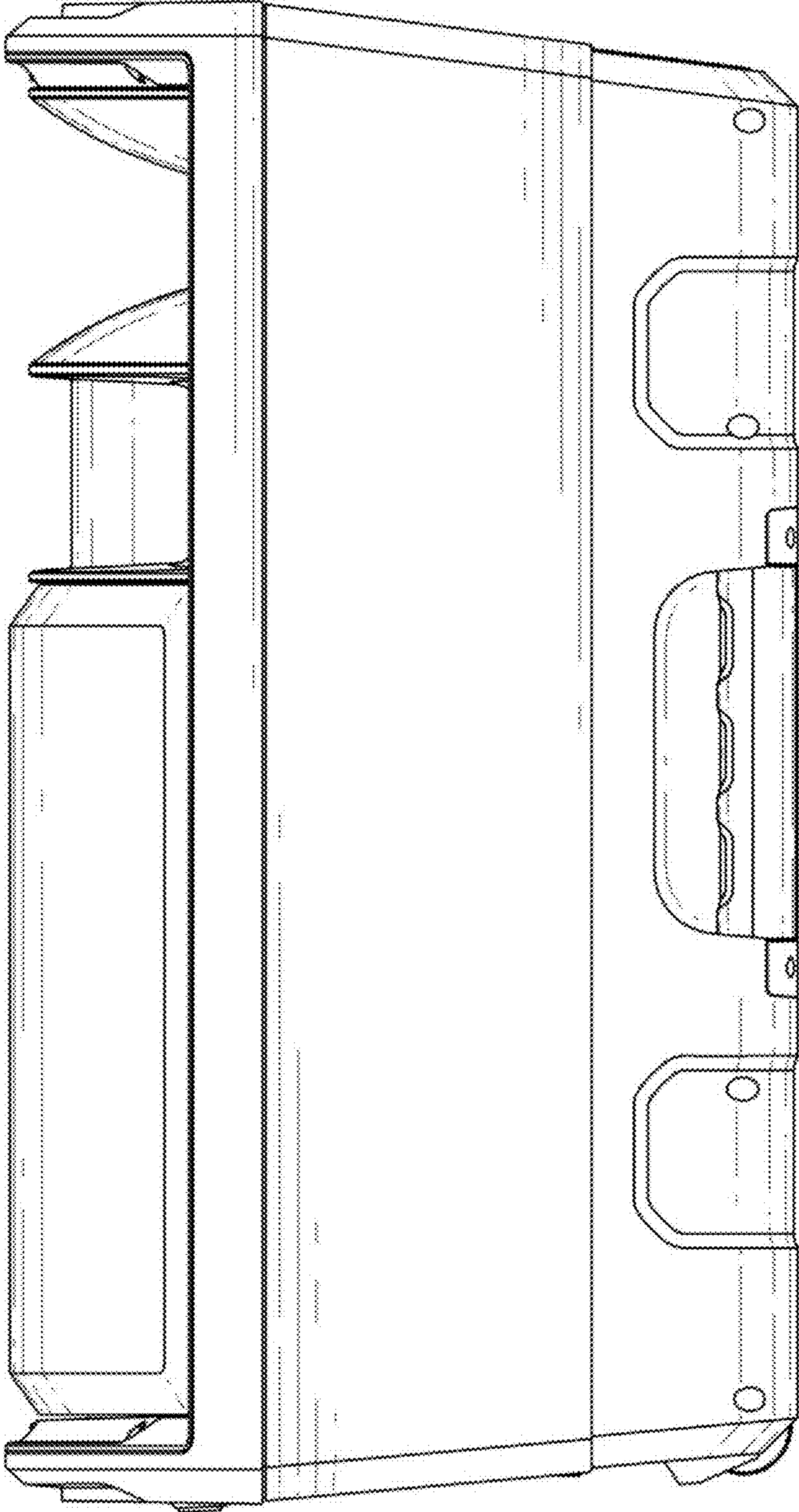
1.3



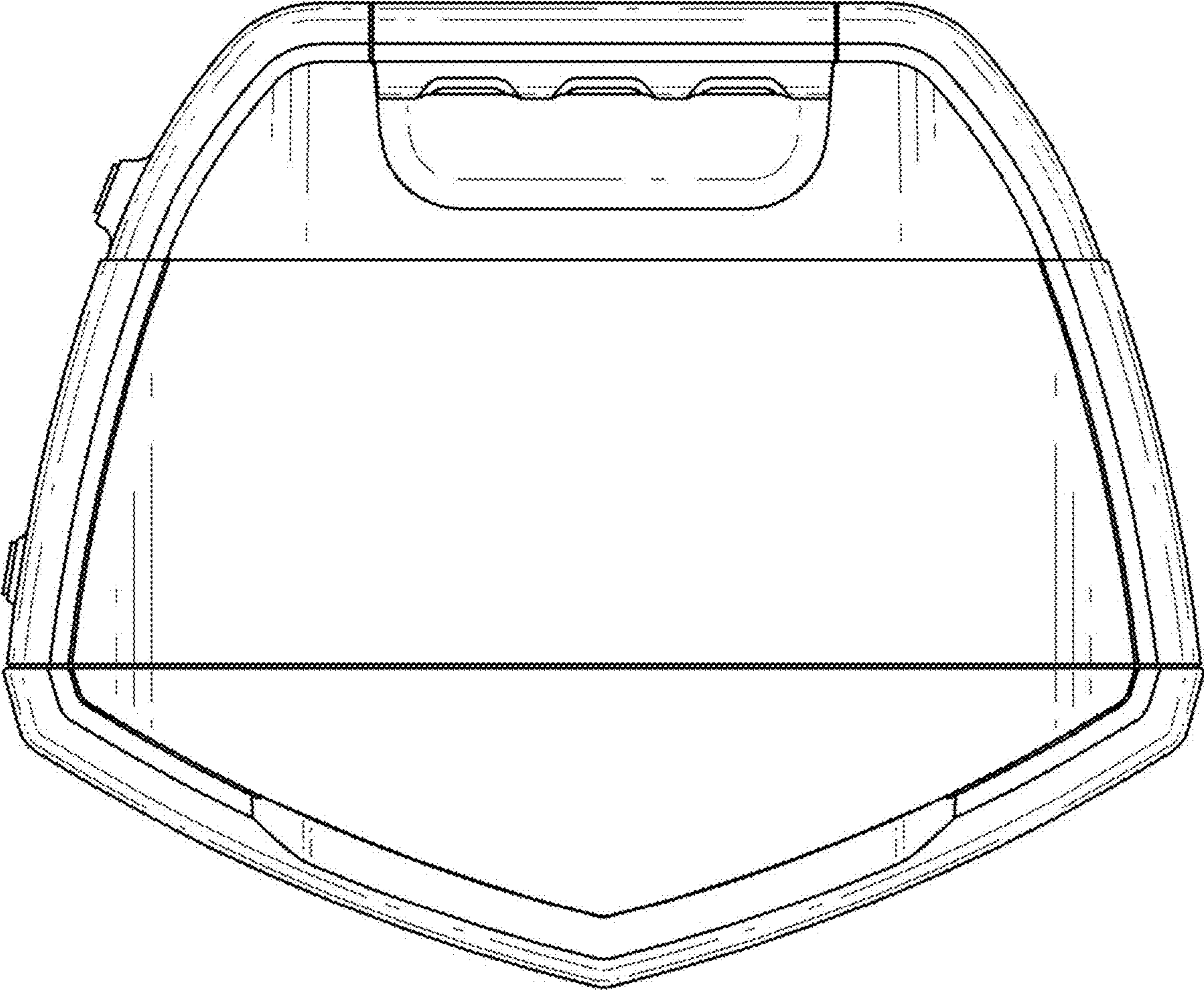
1.4



1.5



1.6



1.7

