



US00D829188S

(12) **United States Design Patent** (10) **Patent No.:** **US D829,188 S**  
**Xu et al.** (45) **Date of Patent:** **\*\* Sep. 25, 2018**

(54) **MOBILE TERMINAL**

(56) **References Cited**

(71) Applicant: **ZTE CORPORATION**, Guangdong (CN)

U.S. PATENT DOCUMENTS

(72) Inventors: **Wen Xu**, Guangdong (CN); **Yuqi Song**, Guangdong (CN)

D732,513 S *	6/2015	Ryu	.....	D14/138 C
D738,871 S *	9/2015	Ryu	.....	D14/138 C
D782,435 S *	3/2017	Yuan	.....	D14/138 AA
D784,278 S *	4/2017	Yoon	.....	D14/138 AA
D784,946 S *	4/2017	Jun	.....	D14/138 AA
D787,466 S *	5/2017	Nishikawa	.....	D14/138 G
D791,730 S *	7/2017	Li	.....	D14/138 G
D792,366 S *	7/2017	Zhang	.....	D14/138 G
D793,981 S *	8/2017	Seo	.....	D14/138 G
D795,213 S *	8/2017	Kim	.....	D14/138 G
D795,827 S *	8/2017	Seo	.....	D14/138 G
D795,829 S *	8/2017	Seo	.....	D14/138 G
D797,071 S *	9/2017	Seo	.....	D14/138 G
D797,697 S *	9/2017	Lee	.....	D14/138 G
D798,260 S *	9/2017	Seo	.....	D14/138 G
D812,586 S *	3/2018	Zhu	.....	D14/138 G

(73) Assignee: **ZTE Corporation**, Shenzhen, Guangdong (CN)

(\*\*) Term: **15 Years**

(21) Appl. No.: **35/503,419**

(22) Filed: **May 12, 2017**

(80) **Hague Agreement Data**

Int. Filing Date: **May 12, 2017**

Int. Reg. No.: **DM/096882**

Int. Reg. Date: **May 12, 2017**

Int. Reg. Pub. Date: **Jul. 28, 2017**

(30) **Foreign Application Priority Data**

Nov. 21, 2016 (CN) ..... 2016 3 0564421

(51) **LOC (11) Cl.** ..... **14-03**

(52) **U.S. Cl.**  
USPC ..... **D14/138 G**  
CPC ..... **H04M 1/0202** (2013.01)

(58) **Field of Classification Search**  
USPC ..... D14/138 C, 138 G, 138 AA  
CPC ..... H04M 1/0202; H04M 1/0235; H04M 1/0237; H04M 1/0239; H04M 1/0266; H04M 1/0268; H04M 1/0295

See application file for complete search history.

\* cited by examiner

*Primary Examiner* — Richard E Chilcot  
(74) *Attorney, Agent, or Firm* — Oppedahl Patent Law Firm LLC

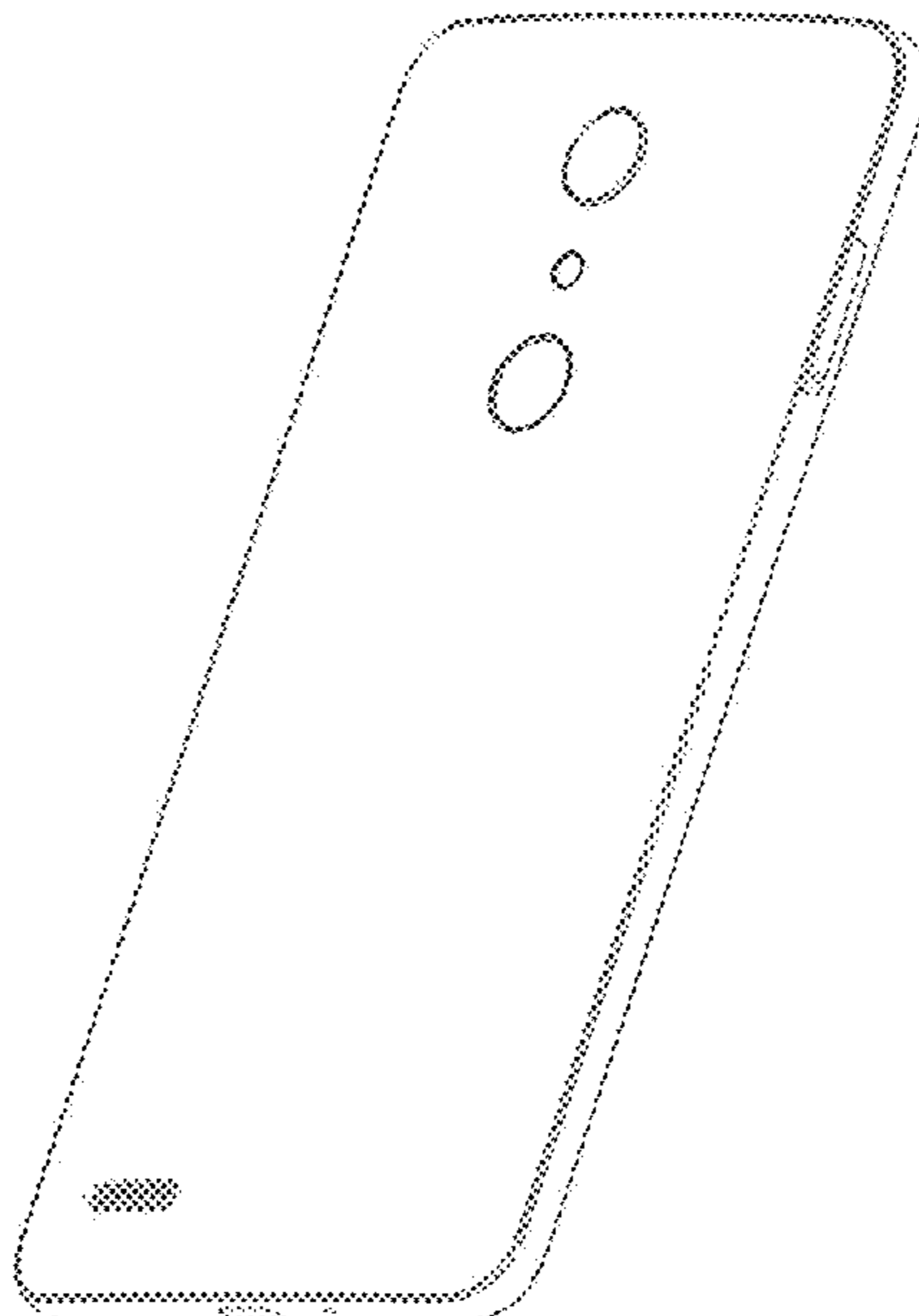
(57) **CLAIM**

The ornamental design for a mobile terminal, as shown and described.

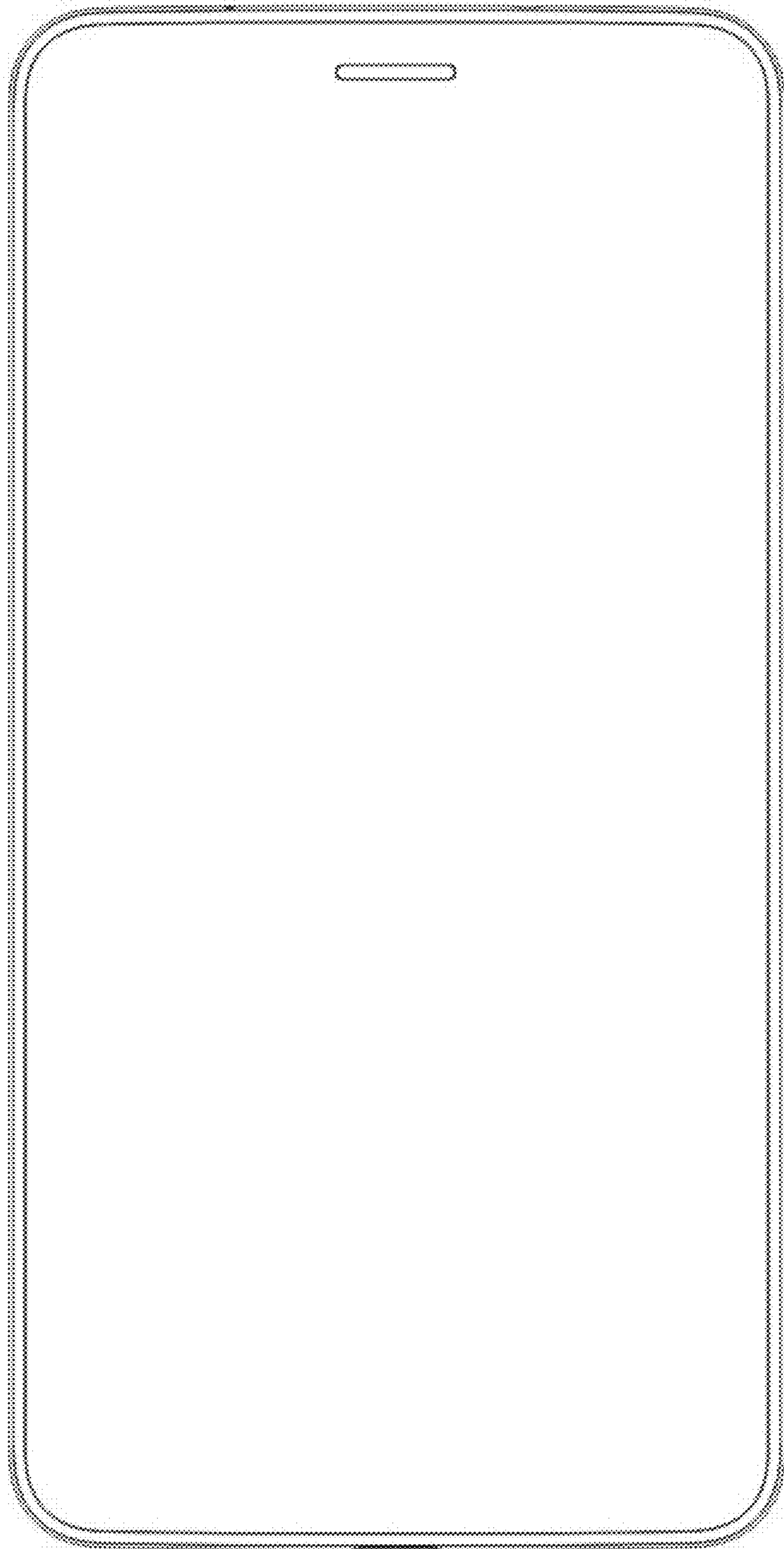
**DESCRIPTION**

- 1. Mobile terminal
- 1.1 : Front
- 1.2 : Back
- 1.3 : Left
- 1.4 : Right
- 1.5 : Top
- 1.6 : Bottom
- 1.7 : Perspective
- 1.8 : Perspective

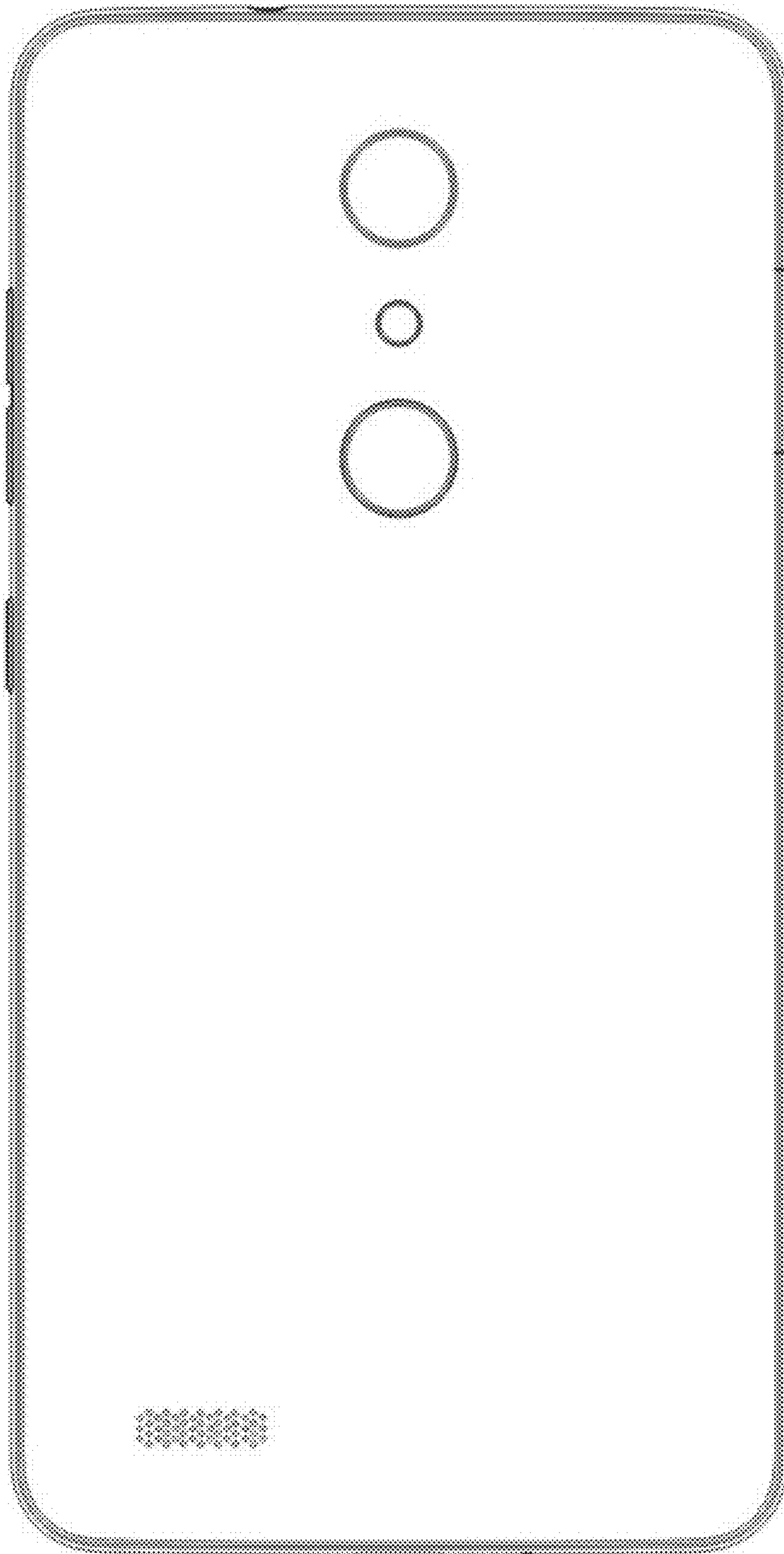
**1 Claim, 8 Drawing Sheets**



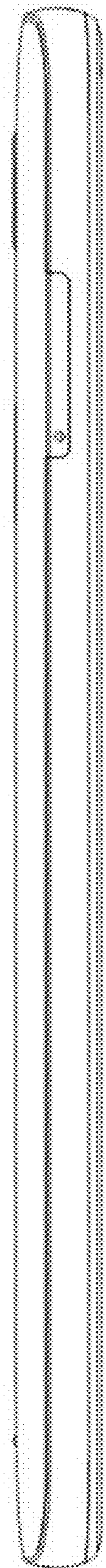
1.1



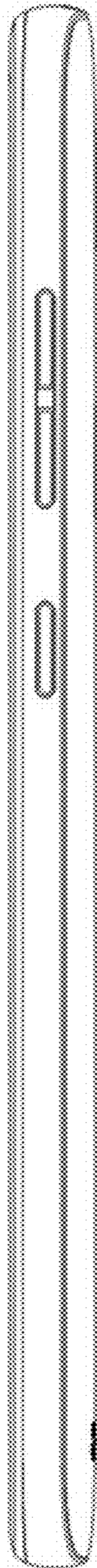
1.2



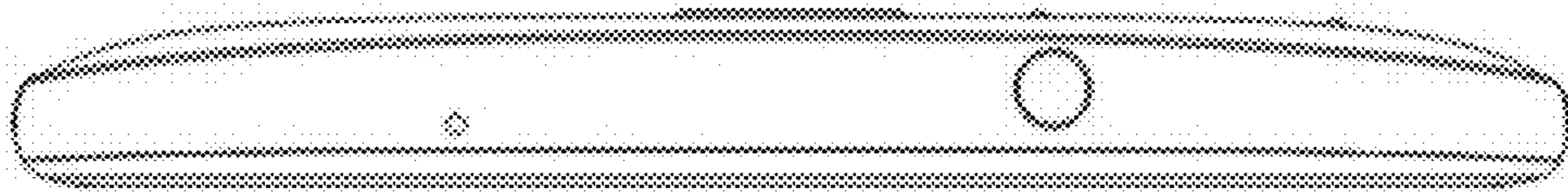
1.3



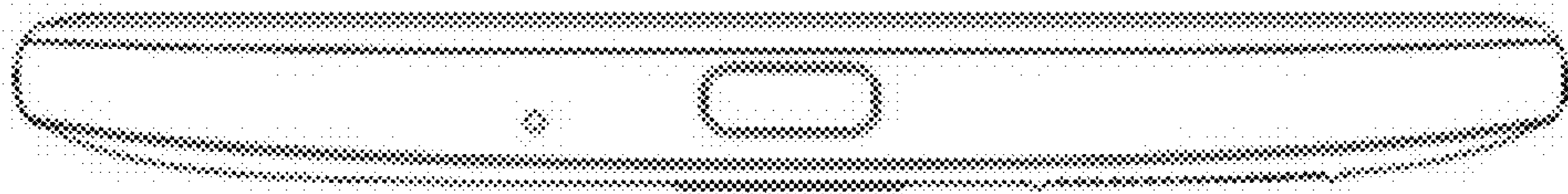
1.4



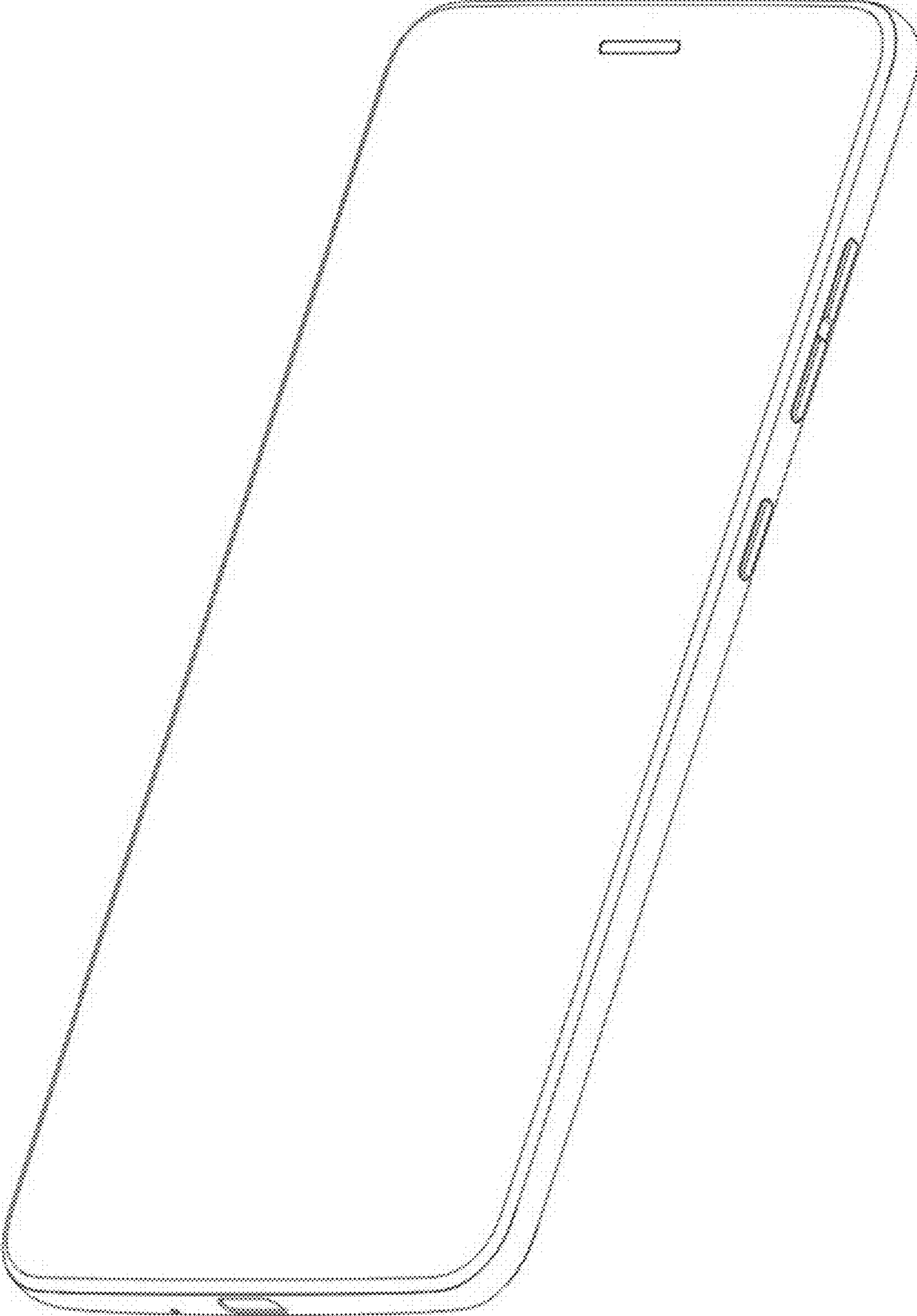
1.5



1.6



1.7





1.8

