



US00D829187S

(12) **United States Design Patent**  
**Zhang**

(10) **Patent No.:** **US D829,187 S**  
(45) **Date of Patent:** **\*\* Sep. 25, 2018**

(54) **MULTI-MODE SMART PHONE**

- (71) Applicant: **LENOVO (BEIJING) CO., LTD.**,  
Beijing (CN)
- (72) Inventor: **Shu Zhang**, Beijing (CN)
- (73) Assignee: **Lenovo (Beijing) Co., Ltd.**, Beijing  
(CN)
- (\*\*) Term: **15 Years**
- (21) Appl. No.: **29/615,114**
- (22) Filed: **Aug. 25, 2017**

**Related U.S. Application Data**

- (62) Division of application No. 29/529,404, filed on Jun. 5, 2015.

(30) **Foreign Application Priority Data**

Dec. 19, 2014 (CN) ..... 2014 3 0540550

- (51) **LOC (11) Cl.** ..... **14-03**

- (52) **U.S. Cl.**  
USPC ..... **D14/138 G**

- (58) **Field of Classification Search**  
USPC ..... D14/138 AA, 138 AB, 138 AC, 138 AD,  
D14/138 C, 138 R, 138 G, 248, 341, 342,  
(Continued)

(56) **References Cited**

**U.S. PATENT DOCUMENTS**

- 3,779,851 A \* 12/1973 Hertz ..... B29C 70/04  
156/182
- D313,809 S \* 1/1991 Obara ..... D16/209  
(Continued)

**OTHER PUBLICATIONS**

Sony Xperia L1, Jun. 2017, [online], [site visited Apr. 5, 2018]. Retrieved from url:https://www.gsmarena.com/sony\_xperia\_l1-pictures-8619.php.\*

(Continued)

*Primary Examiner* — Jeffrey D Asch

*Assistant Examiner* — Tracey J Bell

(74) *Attorney, Agent, or Firm* — Oppedahl Patent Law Firm LLC

(57) **CLAIM**

The ornamental design for a multi-mode smart phone, as shown and described.

**DESCRIPTION**

FIG. 1 is a front view of the new design for a multi-mode smart phone.

FIG. 2 is a rear view of the new design for a multi-mode smart phone.

FIG. 3 is a left side view of the new design for a multi-mode smart phone.

FIG. 4 is a right side view of the new design for a multi-mode smart phone.

FIG. 5 is a top view of the new design for a multi-mode smart phone.

FIG. 6 is a bottom view of the new design for a multi-mode smart phone.

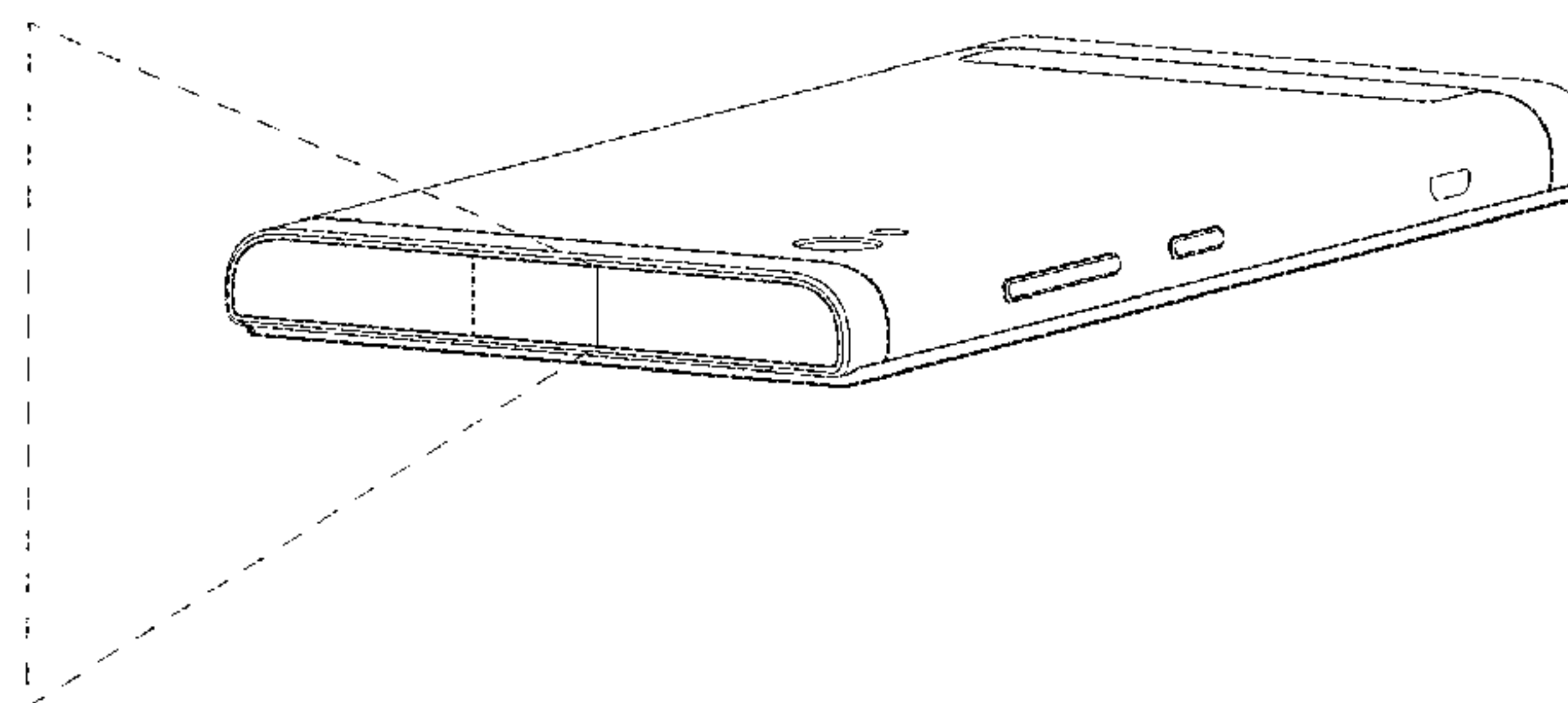
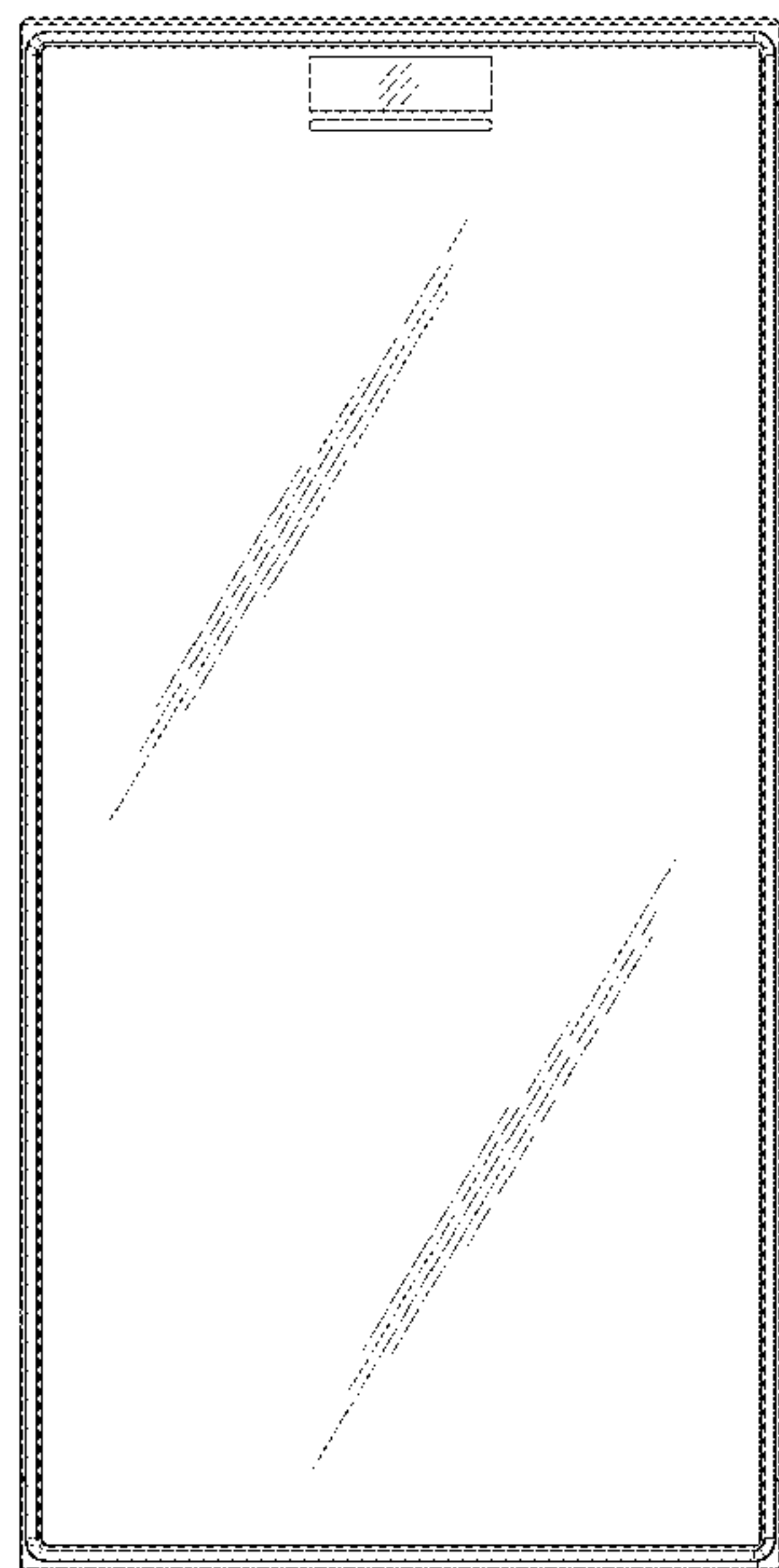
FIG. 7 is a perspective view of the new design for a multi-mode smart phone.

FIG. 8 is another perspective view of the new design for a multi-mode smart phone, shown only in this view with the rear stand extended; and,

FIG. 9 is another perspective view of the new design for a multi-mode smart phone.

The broken lines shown in FIGS. 8 and 9 illustrate projector effects and do not form part of the claimed design.

**1 Claim, 9 Drawing Sheets**



(58) **Field of Classification Search**

USPC ... D14/345, 203.7, 350, 347, 496, 388, 389;  
D21/329  
CPC .... G06F 1/1652; G06F 1/1626; G06F 1/1641;  
G06F 1/1647; H04M 1/027; H04M  
1/0202; H04M 1/0279; H04M 1/0235;  
H04M 1/0237; H04M 1/0239; H04M  
1/0266; H04M 1/0295; H04M 1/0268  
See application file for complete search history.

(56) **References Cited**

U.S. PATENT DOCUMENTS

5,102,129 A \* 4/1992 Roberts ..... A63B 5/22  
273/239  
D342,961 S \* 1/1994 Hamamura ..... D16/209  
D359,747 S \* 6/1995 Furuno ..... D16/209  
D370,923 S \* 6/1996 Hayashi ..... D16/209  
D371,550 S \* 7/1996 Tomkowicz ..... D14/426  
D381,998 S \* 8/1997 Koinuma ..... D16/209  
D387,790 S \* 12/1997 Kondo ..... D16/209  
D397,996 S \* 9/1998 Smith ..... D13/108  
D404,411 S \* 1/1999 Swayze ..... D16/202  
D415,508 S \* 10/1999 Shinano ..... D16/202  
D430,183 S \* 8/2000 Ito ..... D16/202  
D584,694 S \* 1/2009 Greitzke ..... D13/168  
D643,034 S \* 8/2011 Tasselli ..... D14/347  
D661,277 S \* 6/2012 Kim ..... D14/138 G  
D673,201 S \* 12/2012 Nakamura ..... D16/200  
D677,641 S \* 3/2013 Sutherland ..... D14/138 G  
D683,325 S \* 5/2013 Sugiyama ..... D14/138 G  
D688,639 S \* 8/2013 Tsai ..... D14/138 G  
D692,846 S \* 11/2013 Lee ..... D14/138 G  
D698,746 S \* 2/2014 Kaneta ..... D14/138 G  
D706,254 S \* 6/2014 Chang ..... D14/217  
D712,865 S \* 9/2014 Mauritzson ..... D14/138 G

D716,294 S \* 10/2014 Park ..... D14/341  
D716,302 S \* 10/2014 Delgado ..... D14/138 G  
D721,345 S \* 1/2015 Lee ..... D14/138 G  
D736,205 S \* 8/2015 Park ..... D14/138 R  
D737,795 S \* 9/2015 Huang ..... D14/138 G  
D742,335 S \* 11/2015 Yamaguchi ..... D10/49  
D749,162 S \* 2/2016 Roth ..... D16/218  
D749,534 S \* 2/2016 Liu ..... D14/138 G  
D753,087 S \* 4/2016 Cai ..... D14/138 AB  
D762,607 S \* 8/2016 Yoon ..... D14/138 G  
D770,409 S \* 11/2016 Jing ..... D14/138 G  
D787,467 S \* 5/2017 Xu ..... D14/138 C  
D788,728 S \* 6/2017 Kim ..... D14/138 AA  
D790,534 S \* 6/2017 Paschke ..... D14/341  
2010/0045569 A1 \* 2/2010 Estevez ..... G03B 21/10  
345/3.1  
2015/0254485 A1 \* 9/2015 Feng ..... H04M 1/0202  
455/556.1

OTHER PUBLICATIONS

ZTE Grand S II pictures, official photos, Dec. 2014, [online], [site visited Nov. 18, 2016]. Retrieved from <url:http://www.gsmarena.com/zte\_grand\_s\_ii-pictures-6847.php>.\*  
Lenovo A6000 pictures, official photos, Jan. 2015, [online], [site visited Nov. 18, 2016]. Retrieved from <url:http://www.gsmarena.com/lenovo\_a6000-pictures-6938.php>.\*  
Lenovo Tech World—Smart Cast, May 27, 2015, [online], [site visited Nov. 18, 2016]. Retrieved from <url:https://www.youtube.com/watch?v=JwBem1U8dk>.\*  
Samsung I8530 Galaxy Beam pictures, official photos, Jul. 2012 [online], [site visited Dec. 6, 2016]. Retrieved from <url:http://www.gsmarena.com/samsung\_i8530\_galaxy\_beam-pictures-4566.php>.\*

\* cited by examiner

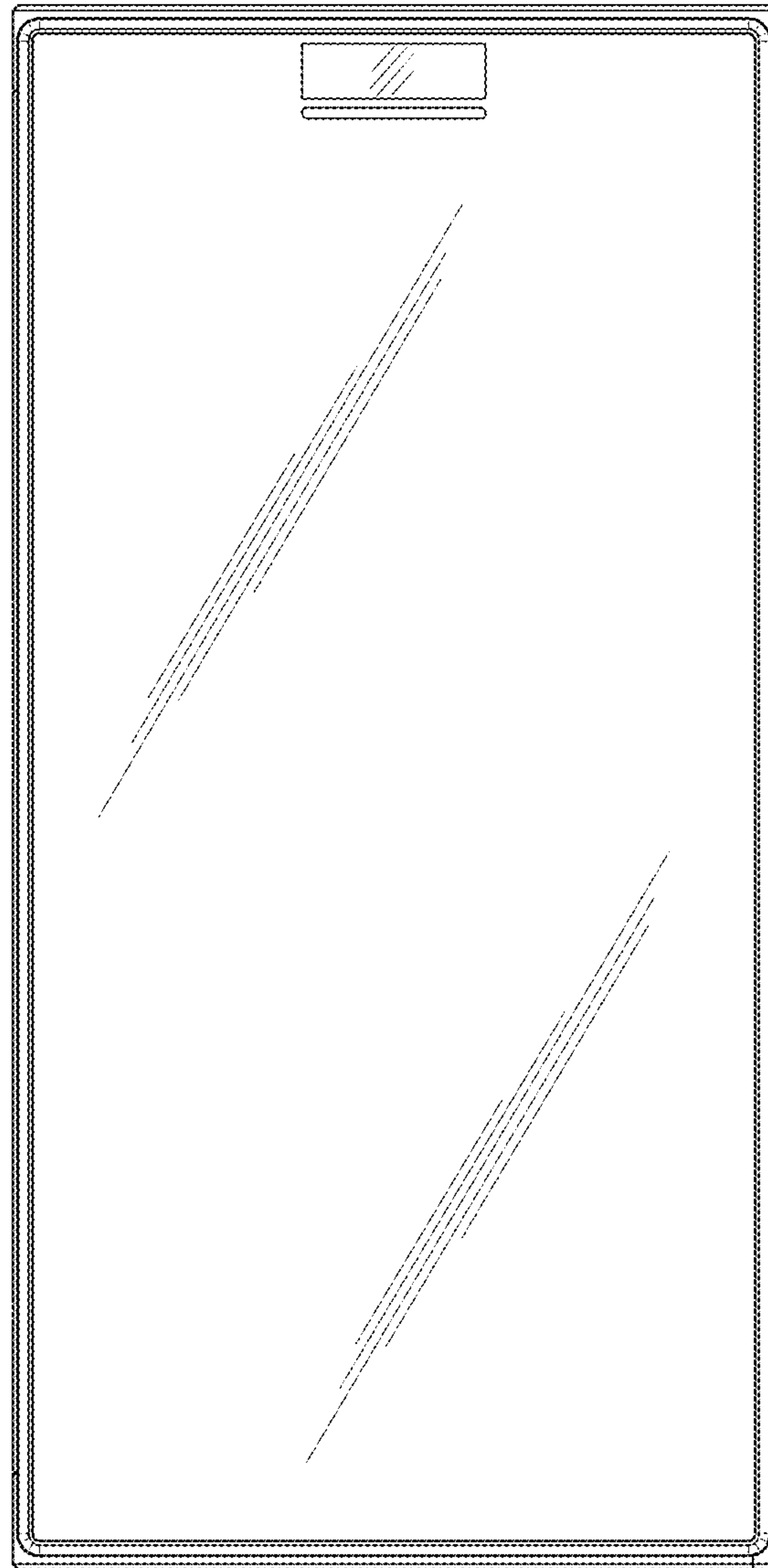


Figure 1

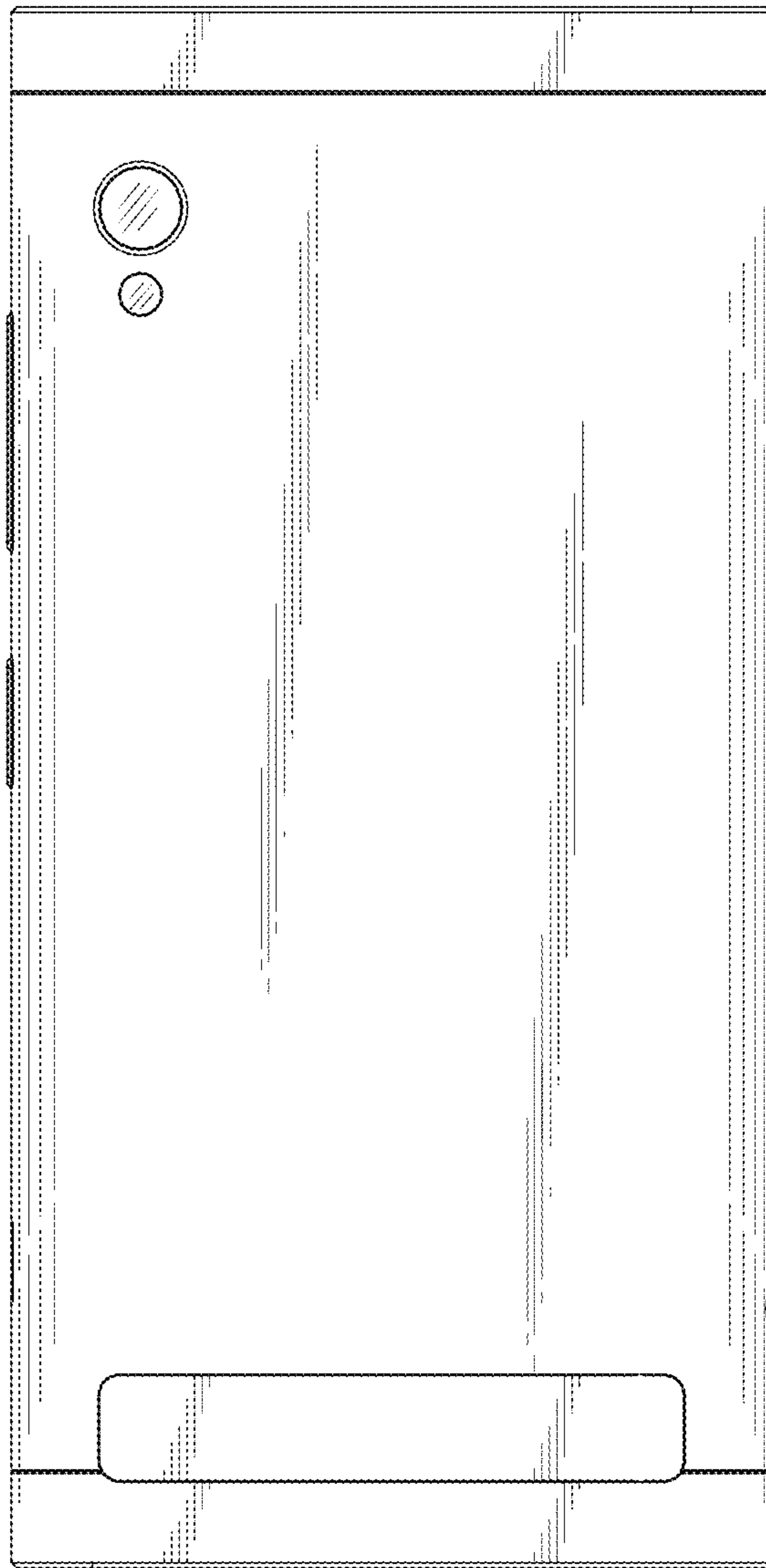


Figure 2

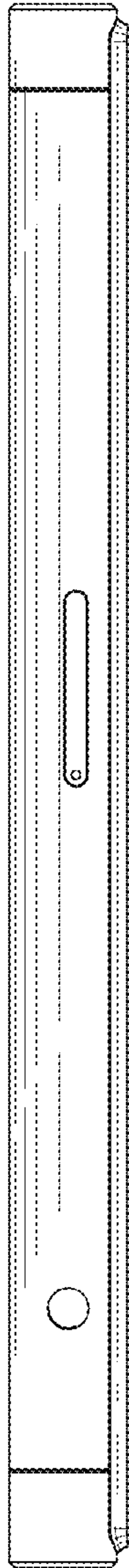


Figure 3



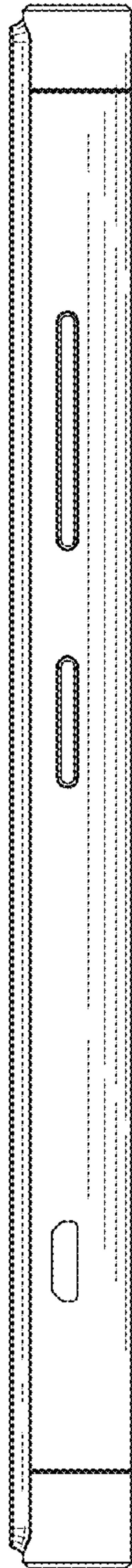


Figure 4

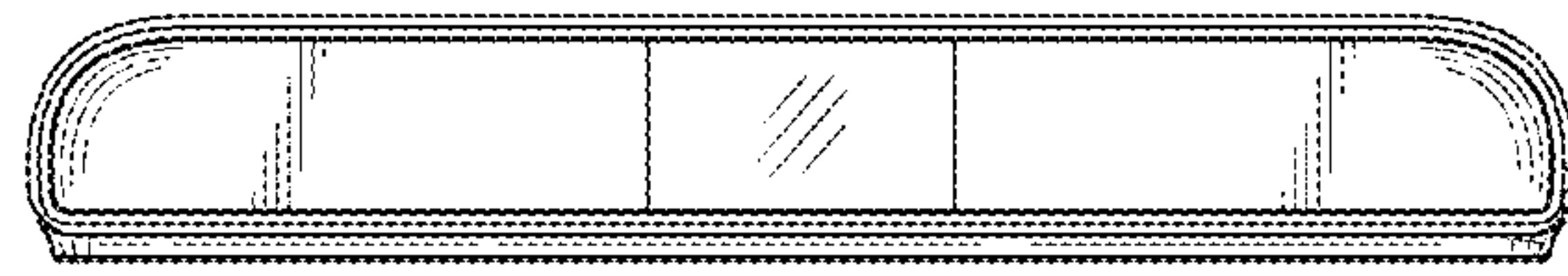


Figure 5

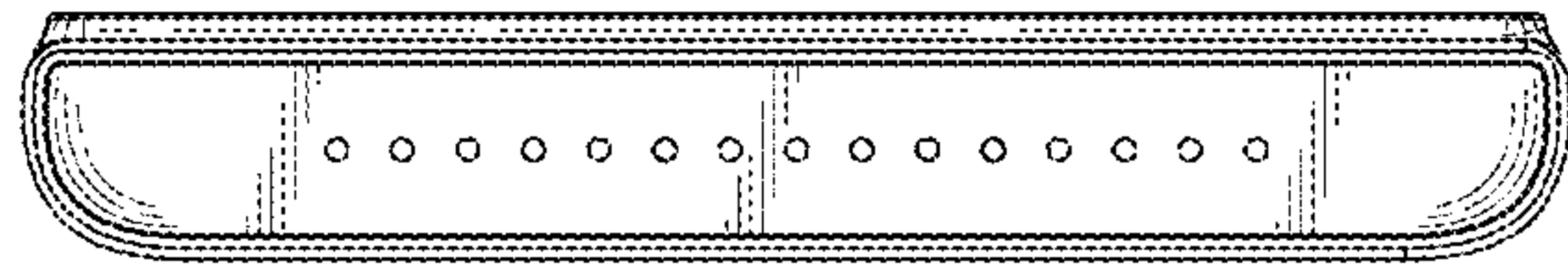


Figure 6



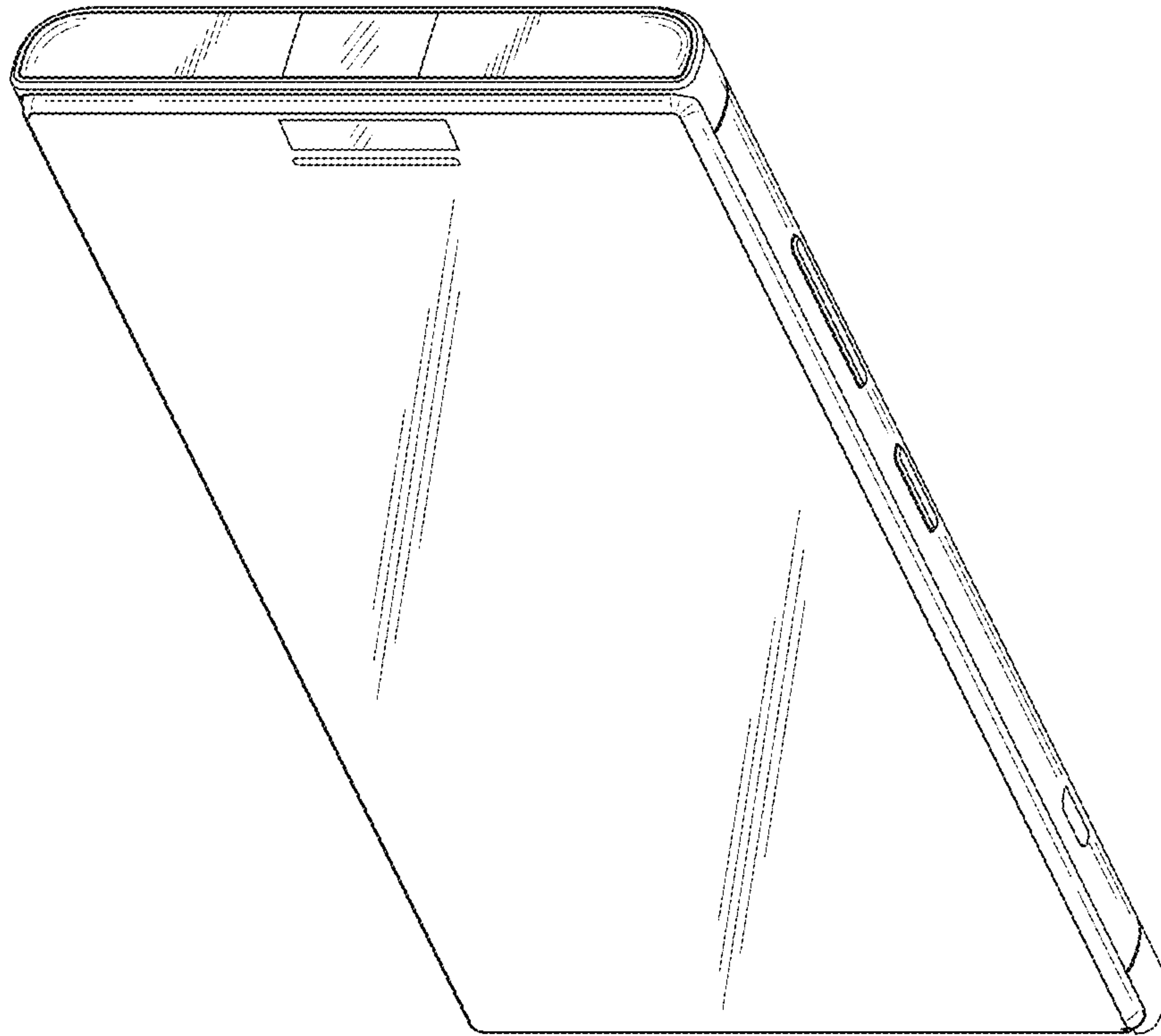


Figure 7

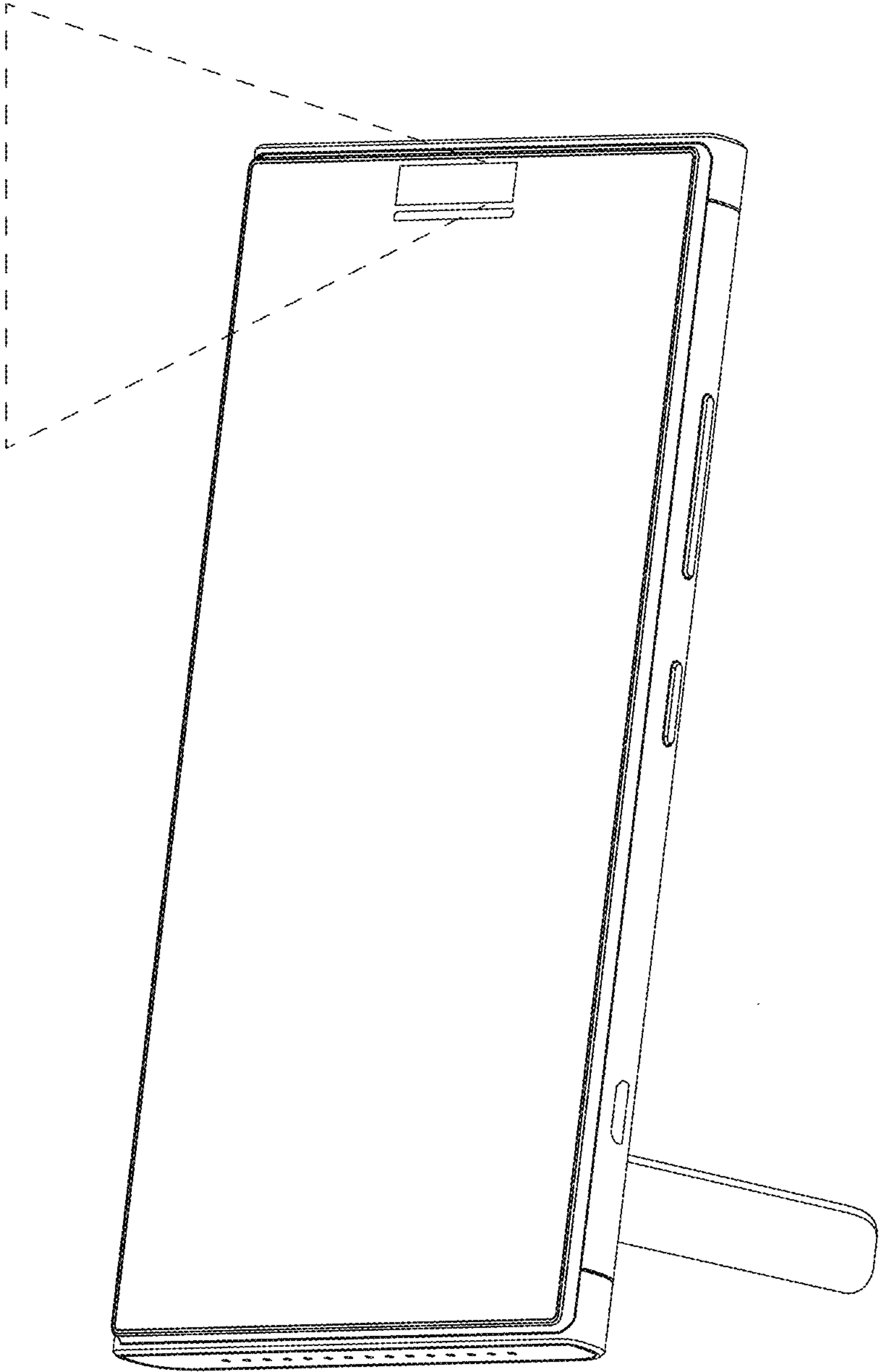


Figure 8

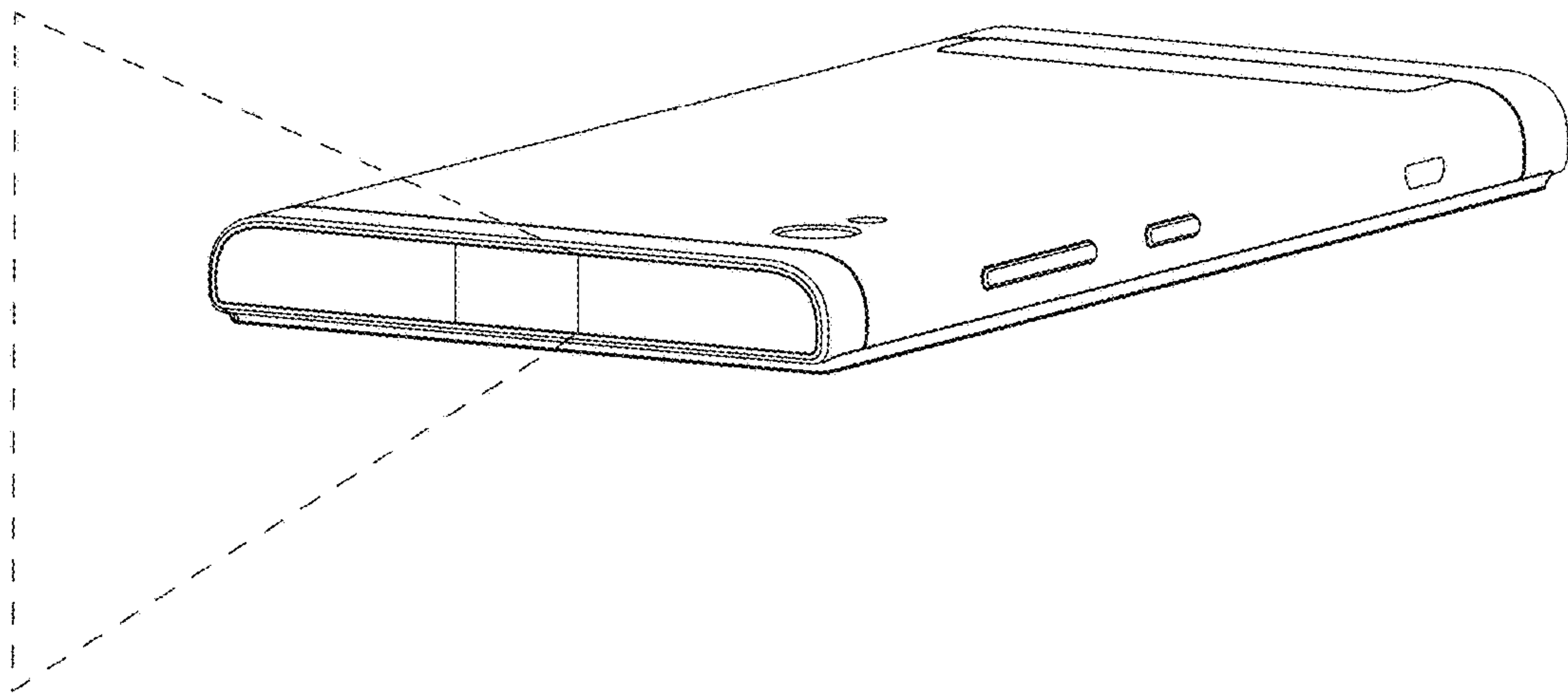


Figure 9