



US00D829185S

(12) **United States Design Patent** (10) **Patent No.:** **US D829,185 S**
Song (45) **Date of Patent:** **** Sep. 25, 2018**

(54) **TELEVISION RECEIVER**
(71) Applicant: **LG DISPLAY CO., LTD.**, Seoul (KR)
(72) Inventor: **Hyun Jin Song**, Jeonju-si (KR)
(73) Assignee: **LG DISPLAY CO., LTD.**, Seoul (KR)
(**) Term: **15 Years**
(21) Appl. No.: **35/502,368**

D594,225 S * 6/2009 Leung D3/218
D625,629 S * 10/2010 McAlpine D10/65
D635,942 S * 4/2011 Kim D14/126
D635,975 S * 4/2011 Seo D14/374
D670,295 S * 11/2012 Prescott D14/447
D694,209 S * 11/2013 Cho D14/126
D711,845 S * 8/2014 Skiadiotis D14/126
D783,017 S * 4/2017 Widiaman D14/341
D790,541 S * 6/2017 Jung D14/374
D816,629 S * 5/2018 Won D14/126
D819,585 S * 6/2018 Kang D14/126
2007/0019374 A1* 1/2007 Springer G06F 1/1616
361/679.37

(22) Filed: **Aug. 2, 2016**

(Continued)

(80) **Hague Agreement Data**

Int. Filing Date: **Aug. 2, 2016**
Int. Reg. No.: **DM/092070**
Int. Reg. Date: **Aug. 2, 2016**
Int. Reg. Pub. Date: **Feb. 3, 2017**

Primary Examiner — Barbara Fox
Assistant Examiner — Dana K Weiland
(74) *Attorney, Agent, or Firm* — Birch, Stewart, Kolasch & Birch, LLP

(30) **Foreign Application Priority Data**

Feb. 5, 2016 (KR) 30-2016-0006012

(51) **LOC (11) Cl.** **14-03**

(52) **U.S. Cl.**
USPC **D14/126**

(58) **Field of Classification Search**
USPC .. D14/125, 126, 128, 133, 138 G, 248, 341,
D14/203.1, 203.3, 203.7, 239, 250,
D14/315-318, 388-389, 336, 371,
D14/374-377, 448, 450, 451, 447, 420,
D14/426-430, 453, 412, 498, 507;
D21/325, 329, 515; D20/10, 19, 39;
D10/50
CPC . H04N 5/64; H04N 5/915; H04N 9/11; G09G
3/3648; G06F 3/016; G06F 3/0488; A47B
97/08; F16M 11/10
See application file for complete search history.

(57) **CLAIM**

The ornamental design for a television receiver, as shown and described.

DESCRIPTION

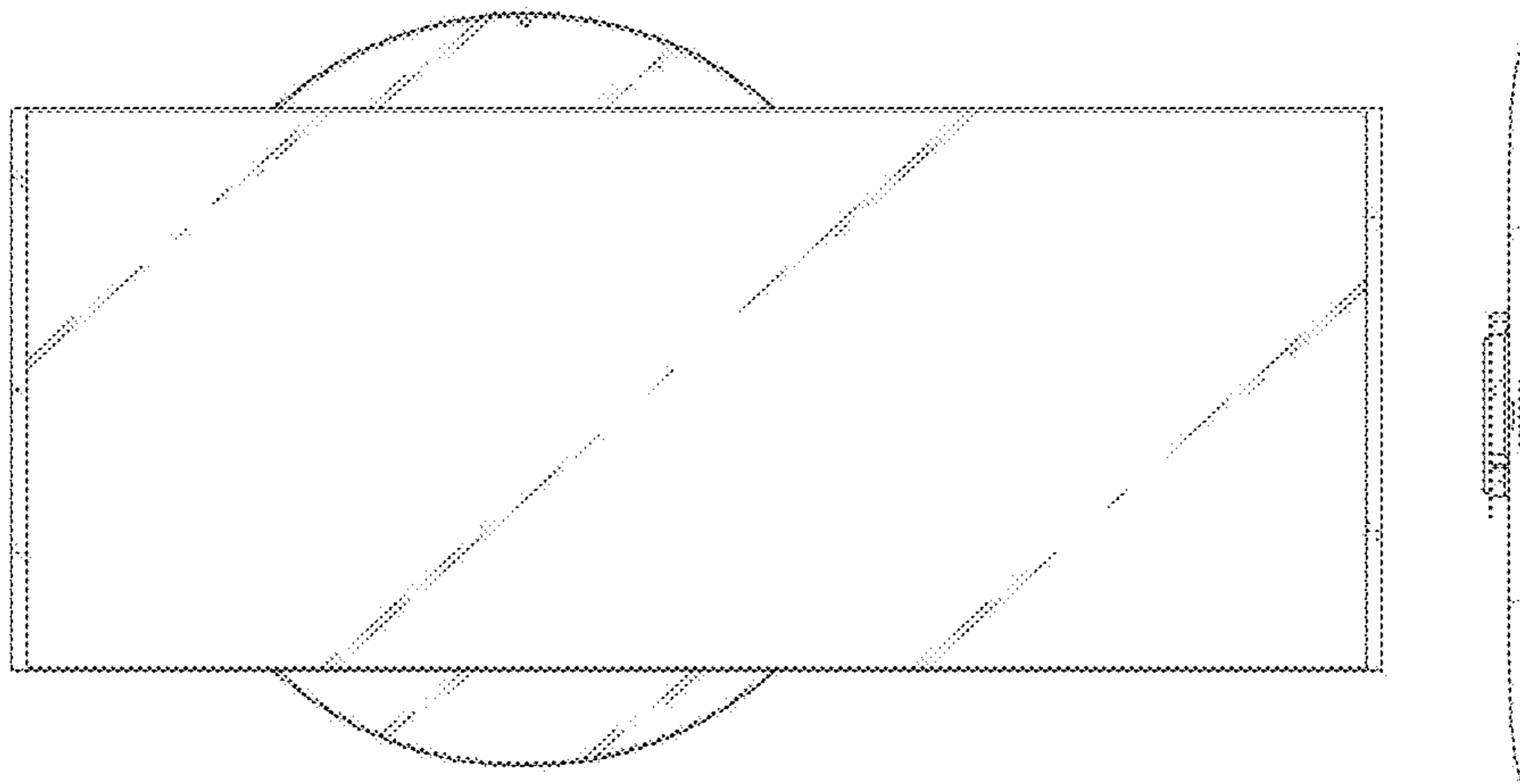
1. Television receiver
1.1 is a perspective view of the television receiver showing the new design;
1.2 is the front view thereof;
1.3 is the back view thereof;
1.4 is the left side view thereof;
1.5 is the right side view thereof;
1.6 is the top view thereof;
1.7 is the bottom view thereof;
1.8 is another front view showing the television receiver in use; and
1.9 is another front view showing the television receiver in use and in an alternate position.
The broken lines shown in the figures depict portions of the television receiver that form no part of the claimed design.

(56) **References Cited**

U.S. PATENT DOCUMENTS

D521,996 S * 5/2006 Kim D14/375
D556,756 S * 12/2007 Kataoka D14/375

1 Claim, 9 Drawing Sheets



(56)

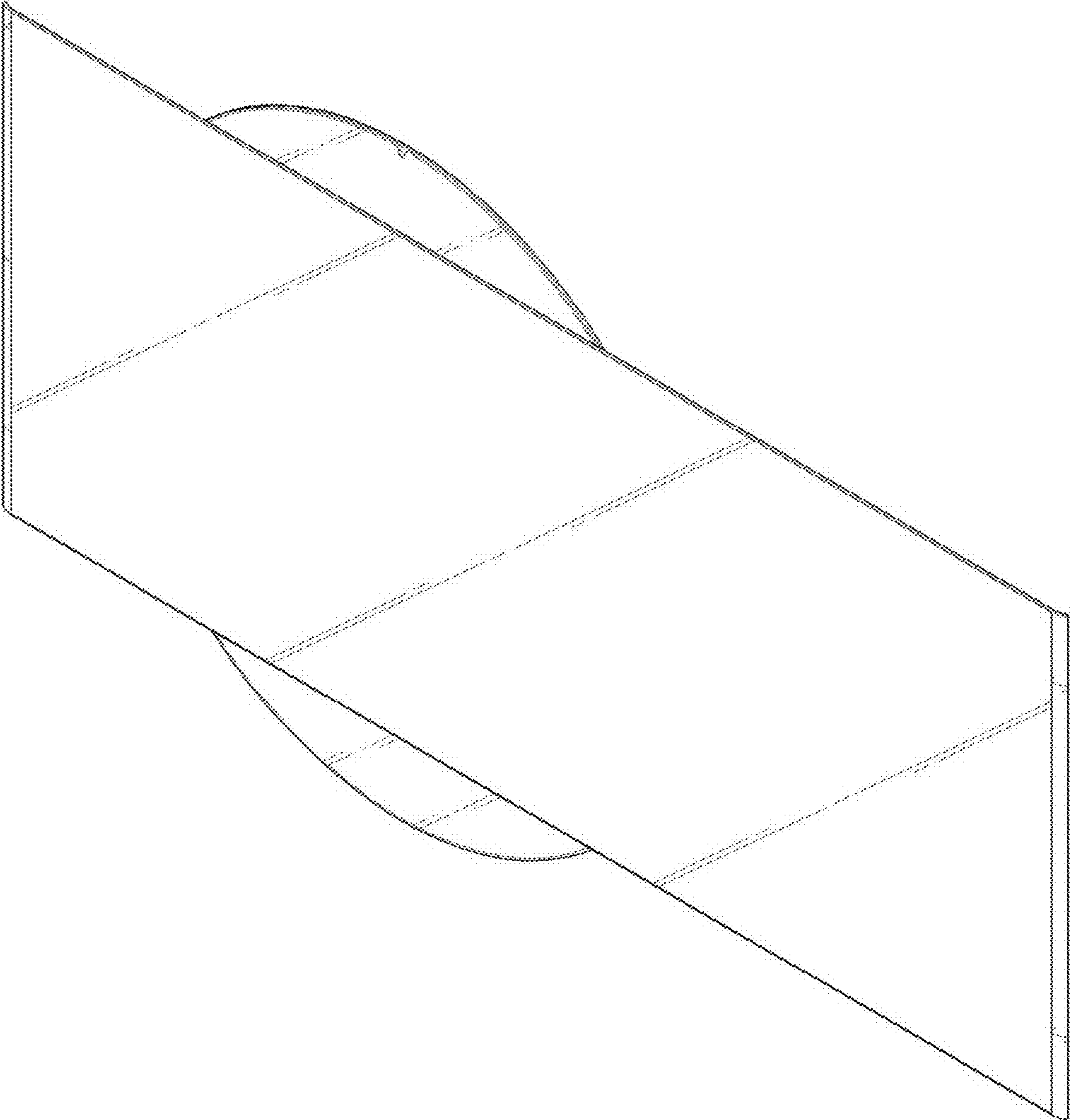
References Cited

U.S. PATENT DOCUMENTS

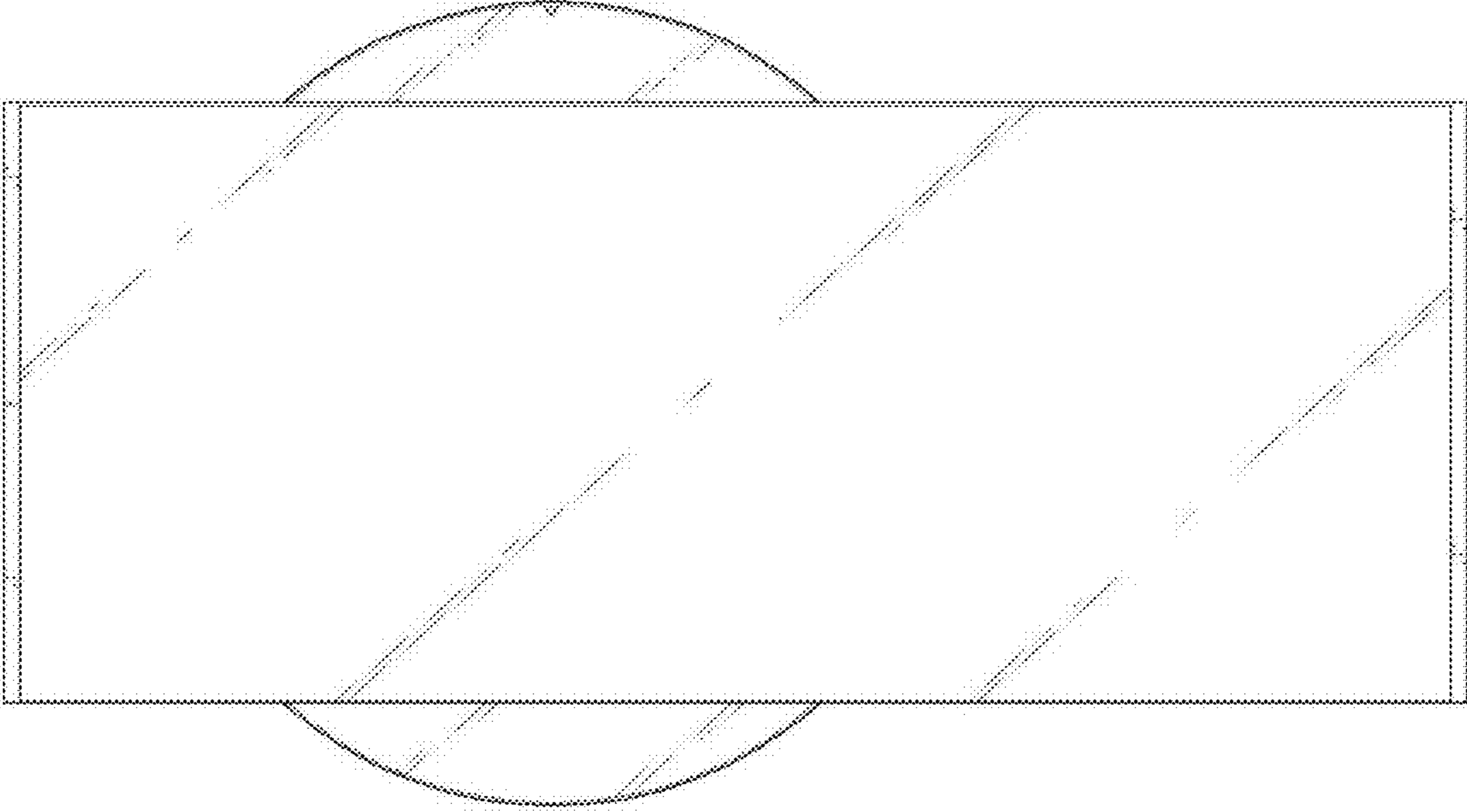
2012/0075799 A1* 3/2012 Pollex F16M 11/041
361/679.56
2013/0175018 A1* 7/2013 Huang G06F 1/203
165/185

* cited by examiner

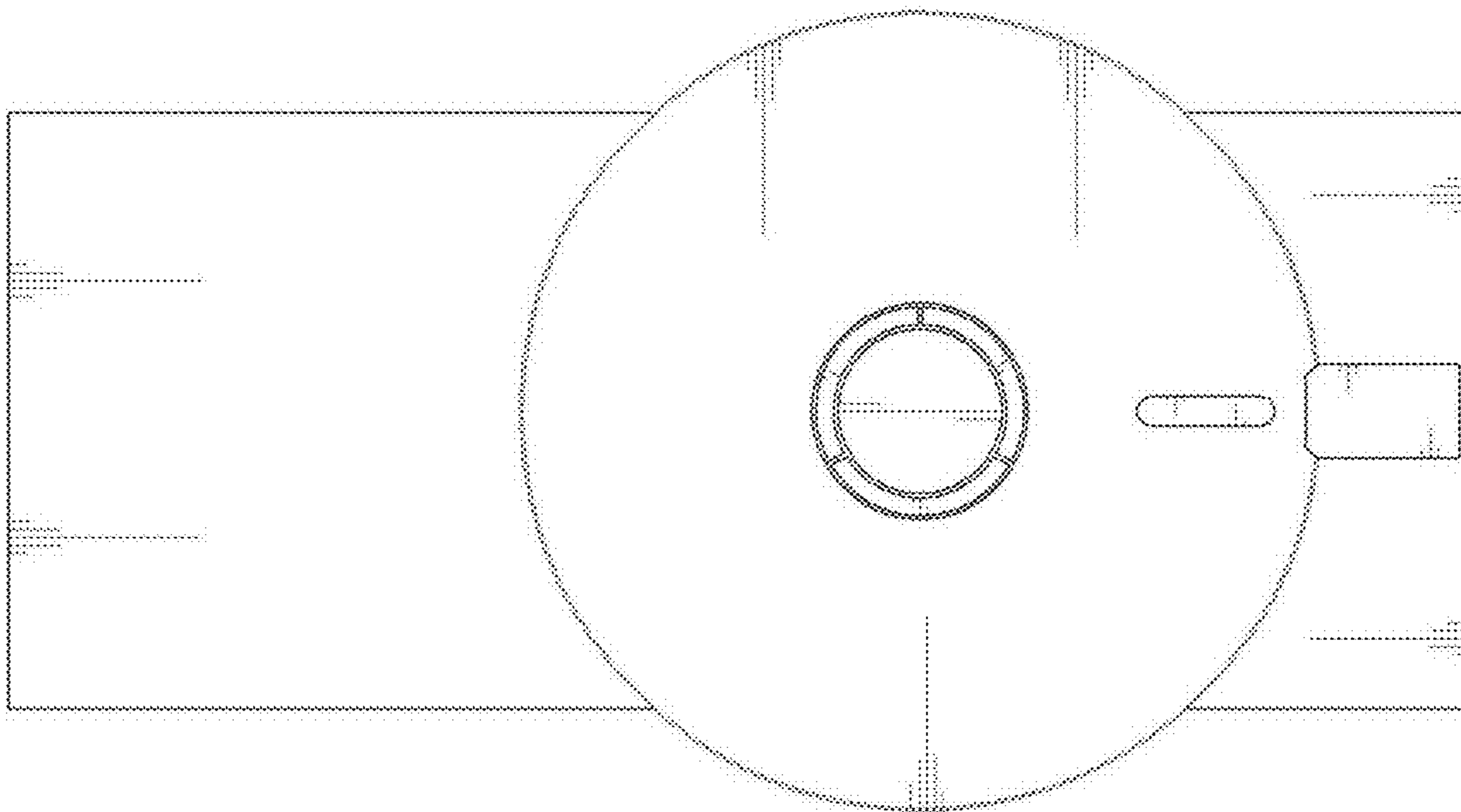
1.1



1.2



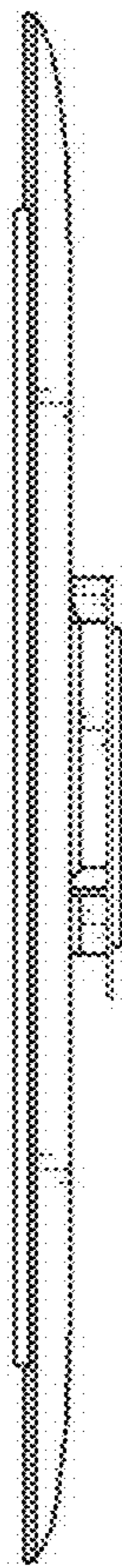
1.3



1.4



1.5



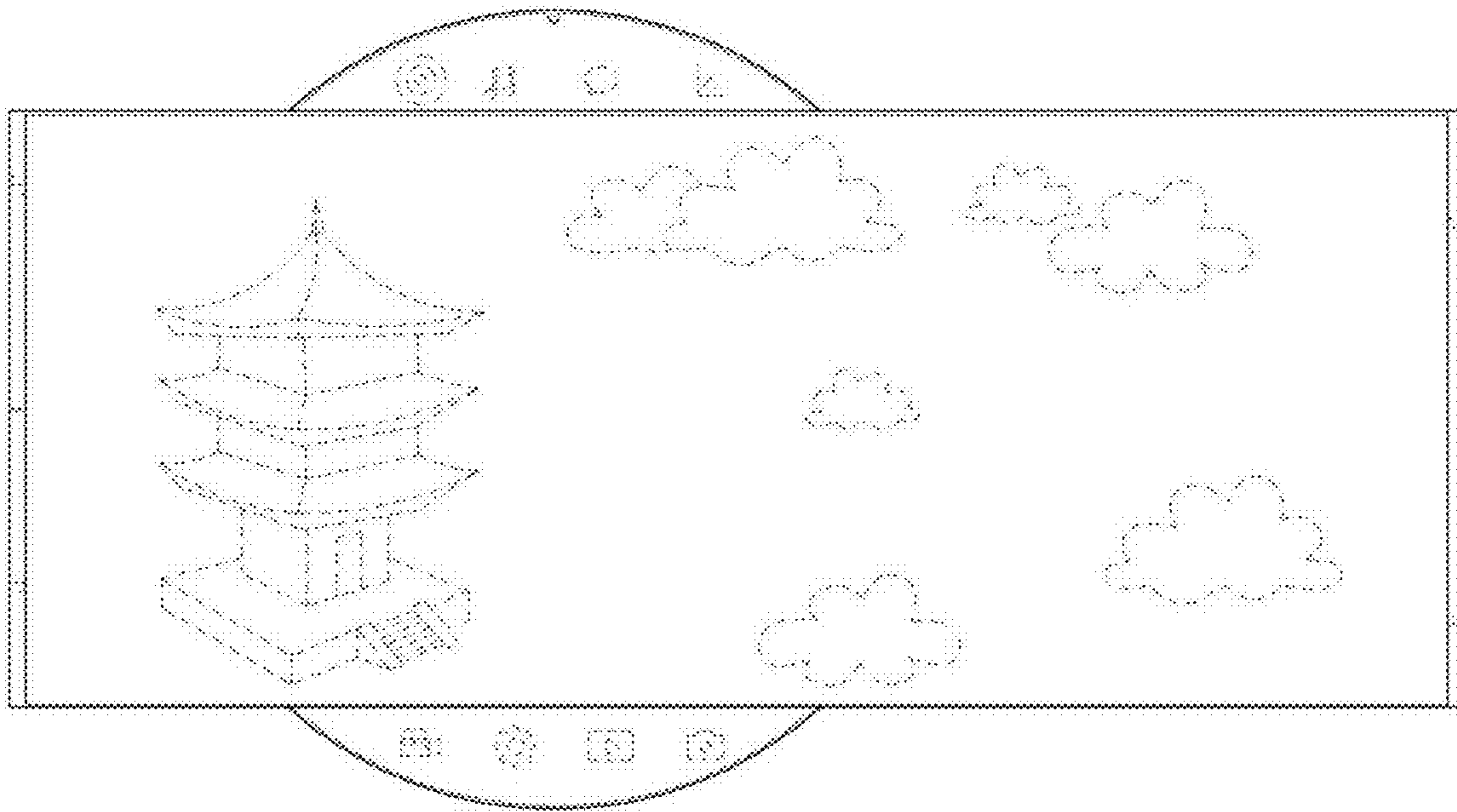
1.6



1.7



1.8



1.9

