



US00D829180S

(12) **United States Design Patent**
O'Brien

(10) **Patent No.:** **US D829,180 S**
(45) **Date of Patent:** **** Sep. 25, 2018**

(54) **FOLDING CABLE PROTECTOR**

DESCRIPTION

- (71) Applicant: **TSI Products, Inc.**, Arlington, TX (US)
- (72) Inventor: **Stephen William O'Brien**, Fort Worth, TX (US)
- (73) Assignee: **TSI Products, Inc.**, Arlington, TX (US)
- (**) Term: **15 Years**
- (21) Appl. No.: **29/586,579**
- (22) Filed: **Dec. 5, 2016**
- (51) **LOC (11) Cl.** **13-03**
- (52) **U.S. Cl.**
USPC **D13/155**
- (58) **Field of Classification Search**
USPC D8/356; D13/102, 133, 137.1, 139.1,
D13/146, 147, 148, 149, 150, 151, 153,
(Continued)

(56) **References Cited**

U.S. PATENT DOCUMENTS

- D415,112 S * 10/1999 Henry D13/155
 - D415,471 S * 10/1999 Henry D13/155
- (Continued)

OTHER PUBLICATIONS

Climate Caddy, posted at Climatecaddy.com, posted on Sep. 22, 2017, [online],[site visited Sep. 22, 2017]. Available from Internet, <<http://webcache.googleusercontent.com/search?q=cache:climatecaddy.com>>.*

(Continued)

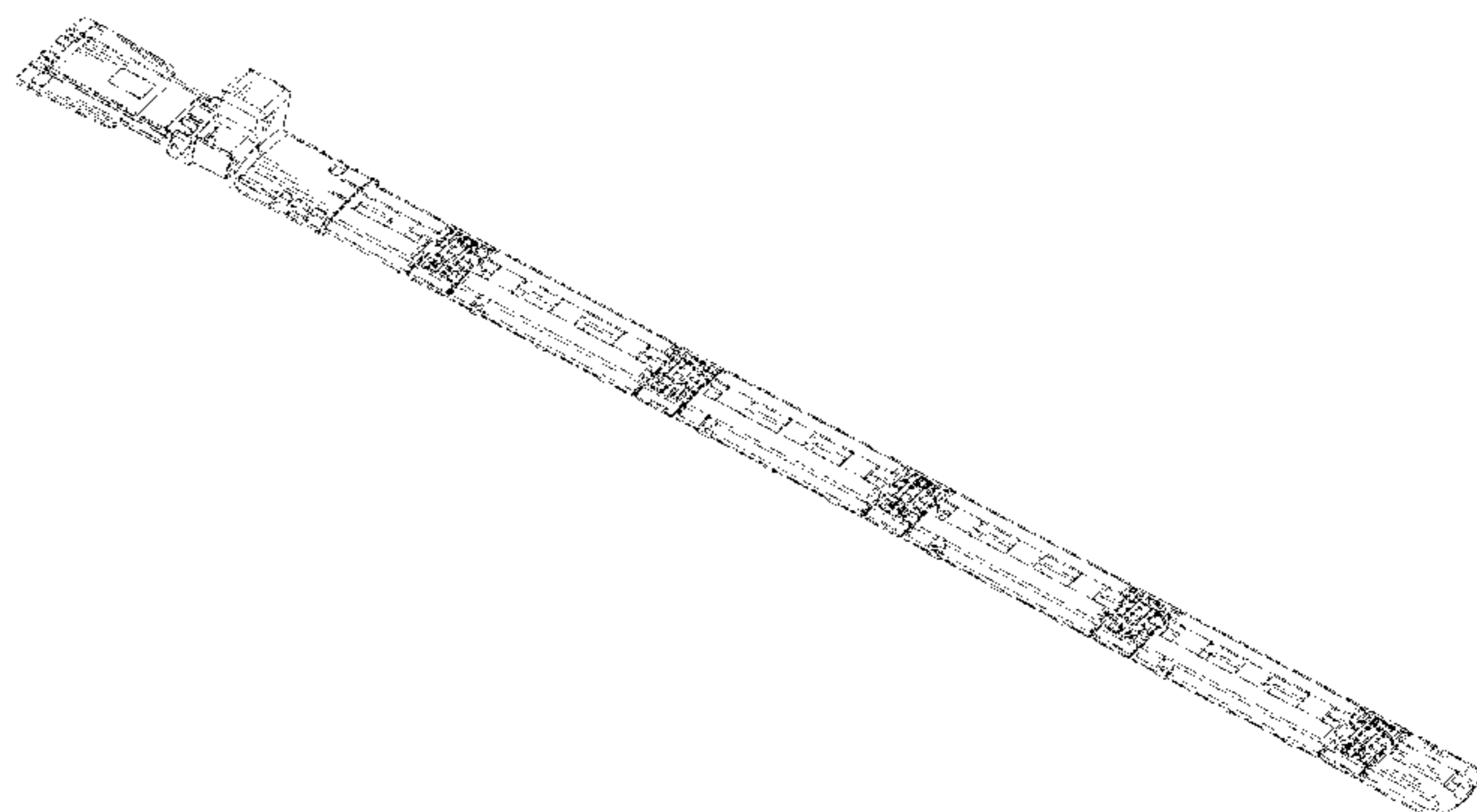
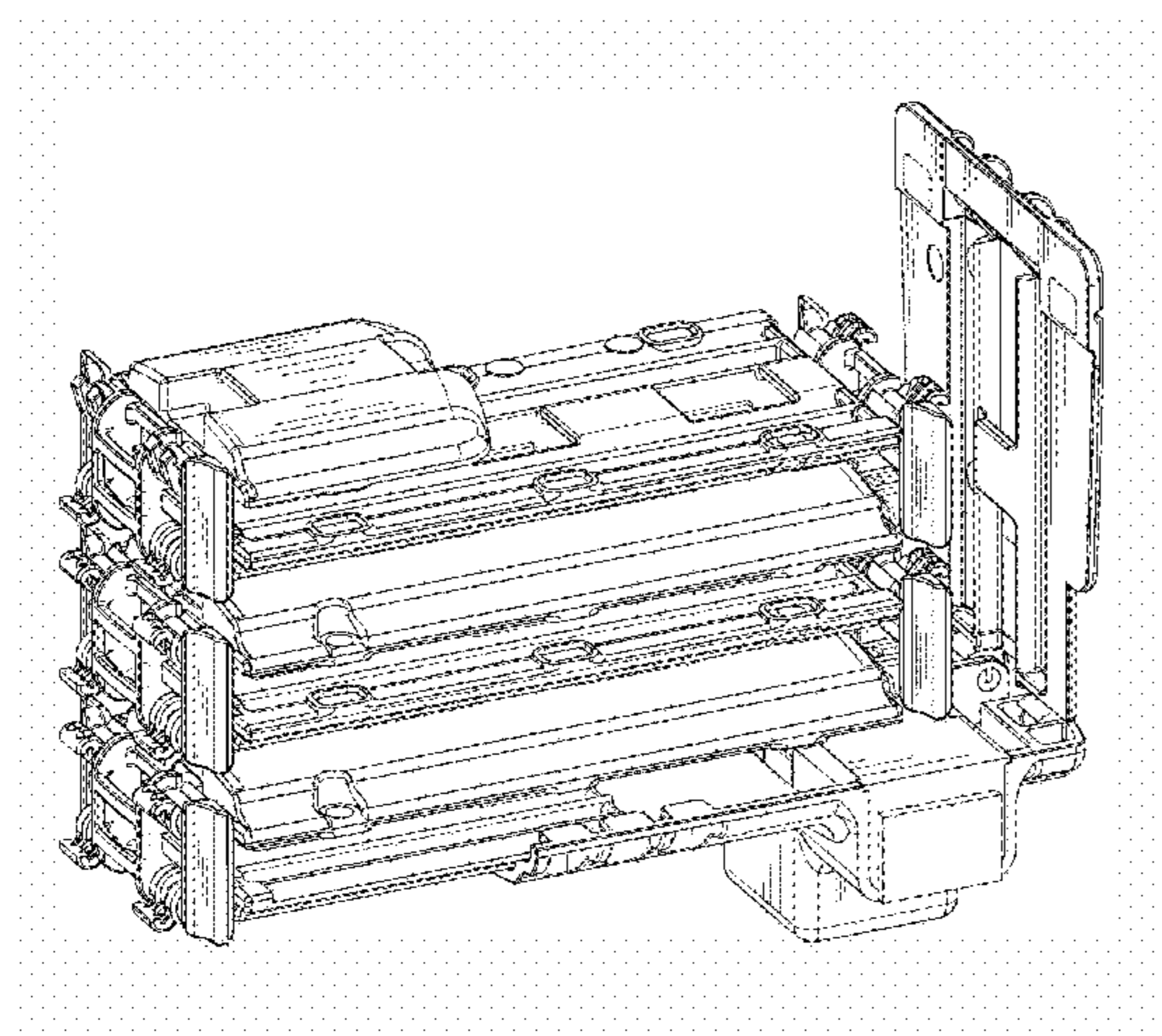
Primary Examiner — Mary Ann Calabrese
Assistant Examiner — Catherine Ho
(74) *Attorney, Agent, or Firm* — Hitchcock Evert LLP

(57) **CLAIM**

The ornamental design for a folding cable protector, as shown and described.

FIG. 1 is a perspective view from the top-right of the folding cable protector in a folded position;
 FIG. 2 is a perspective view from the bottom-left thereof;
 FIG. 3 is a right side view thereof;
 FIG. 4 is a left side view thereof;
 FIG. 5 is a front view thereof;
 FIG. 6 is a back view thereof;
 FIG. 7 is a top view thereof;
 FIG. 8 is a bottom view thereof;
 FIG. 9 is a top view of the folding cable protector in an unfolded position;
 FIG. 10 is an enlarged fragment of the portion of the folding cable protector shown in FIG. 9 and labelled 10;
 FIG. 11 is an enlarged fragment of the portion of the folding cable protector shown in FIG. 9 and labelled 11;
 FIG. 12 is a bottom view thereof;
 FIG. 13 is an enlarged fragment of the portion of the folding cable protector shown in FIG. 12 and labelled 13;
 FIG. 14 is an enlarged fragment of the portion of the folding cable protector shown in FIG. 12 and labelled 14;
 FIG. 15 is a left side view thereof;
 FIG. 16 is an enlarged fragment of the portion of the folding cable protector shown in FIG. 15 and labelled 16;
 FIG. 17 is an enlarged fragment of the portion of the folding cable protector shown in FIG. 15 and labelled 17;
 FIG. 18 is a right side view thereof;
 FIG. 19 is an enlarged fragment of the portion of the folding cable protector shown in FIG. 18 and labelled 19;
 FIG. 20 is an enlarged fragment of the portion of the folding cable protector shown in FIG. 18 and labelled 20;
 FIG. 21 is a back view thereof;
 FIG. 22 is a front view thereof;
 FIG. 23 is a perspective view from the bottom-left thereof; and,
 FIG. 24 is a perspective view from the top-left thereof.
 The features shown in broken lines are for the purpose of illustrating portions of the article that form no part of the claimed design.

1 Claim, 22 Drawing Sheets



(58) **Field of Classification Search**

USPC D13/154, 155, 156, 160, 164, 184, 187,
D13/199

CPC H02G 3/00; H02G 3/04; H02G 3/0475;
H02G 9/00; H02G 9/02; H02G 9/025

See application file for complete search history.

(56) **References Cited**

U.S. PATENT DOCUMENTS

6,161,373 A * 12/2000 Heidrich F16G 13/16
248/49
6,202,565 B1 * 3/2001 Henry A62C 33/06
104/275
D716,237 S * 10/2014 Baldwin D13/155
D717,248 S * 11/2014 Coffman D13/155
D763,414 S * 8/2016 Allin D13/155
D765,603 S * 9/2016 Baldwin D13/155
D765,604 S * 9/2016 Baldwin D13/155
2009/0020305 A1 * 1/2009 Fidler H01R 13/5219
174/50
2016/0290438 A1 * 10/2016 Komiya F16G 13/16
2017/0165877 A1 * 6/2017 Hanson H02G 3/0431
2017/0207612 A1 * 7/2017 Handler H02G 3/0475

OTHER PUBLICATIONS

Drop Trak Cable, posted at Amazon.com, posted on Oct. 24, 2014, [online], [site visited Sep. 24, 2017]. Available from Internet, <<https://www.amazon.com/Drop-Trak-Cable-Hose-Protector/dp/B01L9PWW6O>>.*

Dobravel Proteccao, posted at Pt.made-in-china.com, posted on Aug. 23, 2017, [online], [site visited Sep. 24, 2017]. Available from Internet, <http://pt.made-in-china.com/co_zjeastsea/product_17mm-Channel-Collapsible-Floor-Cable-Protection_eooshsneg.html>.*

* cited by examiner

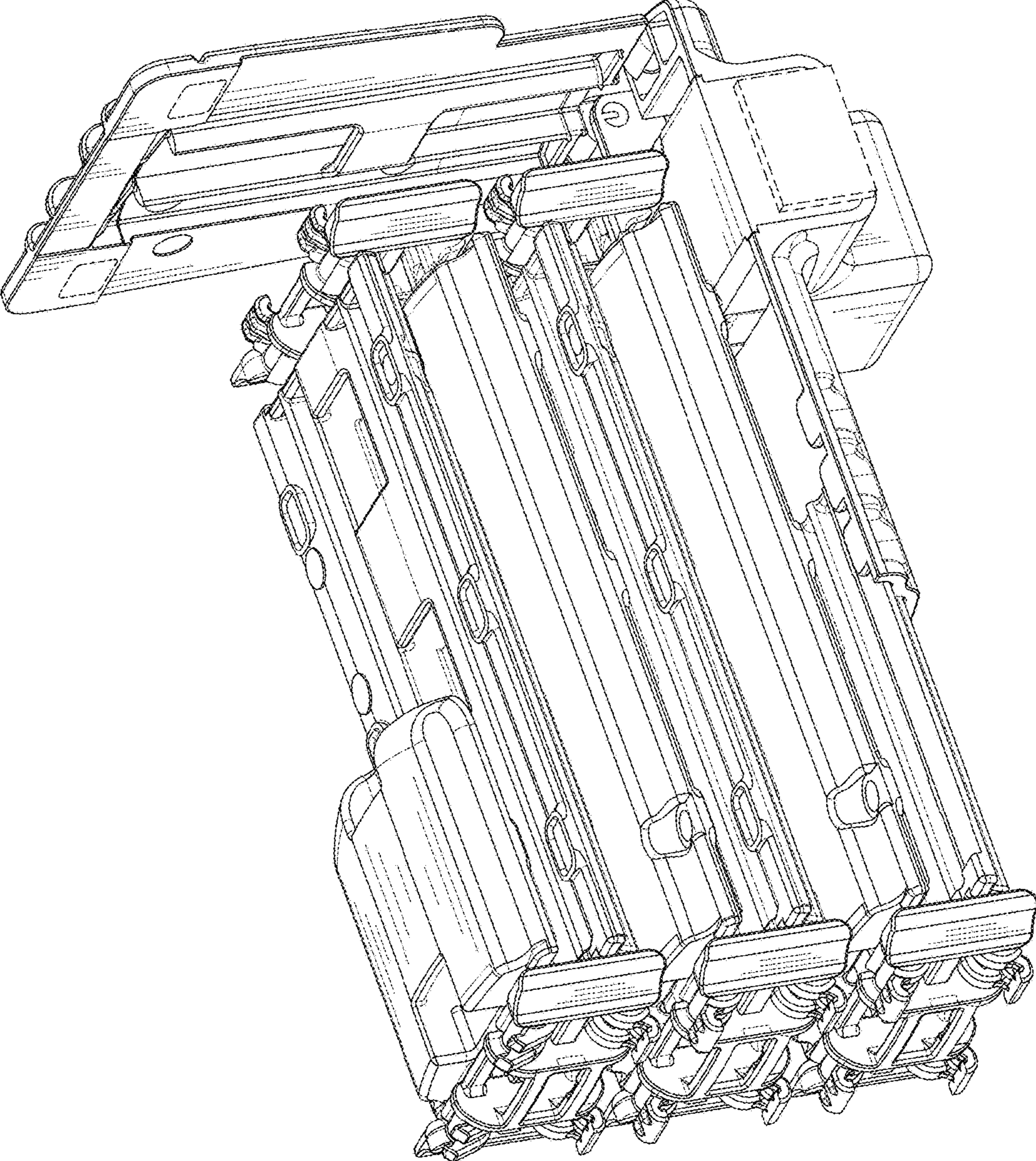


FIG. 1

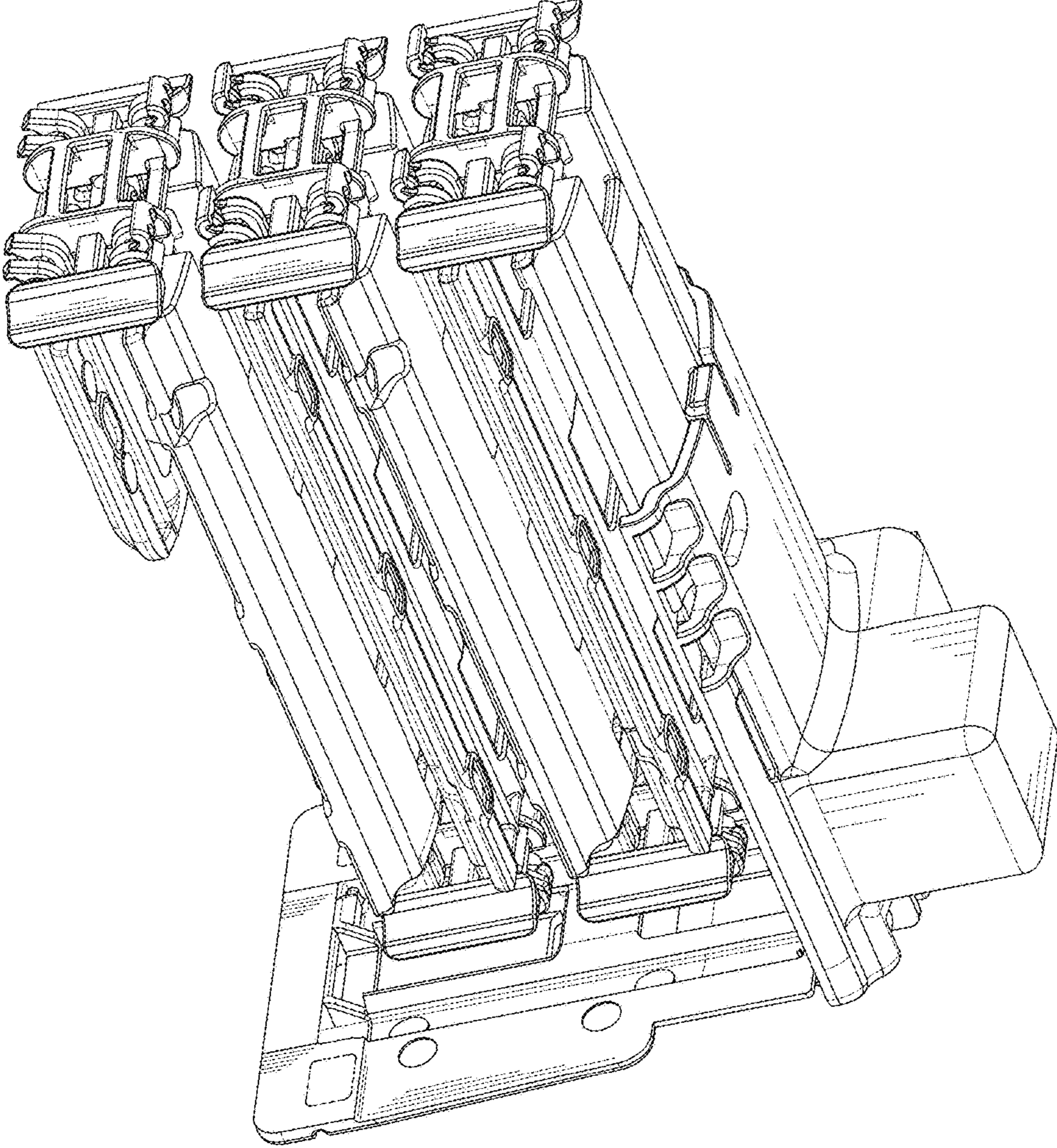


FIG. 2

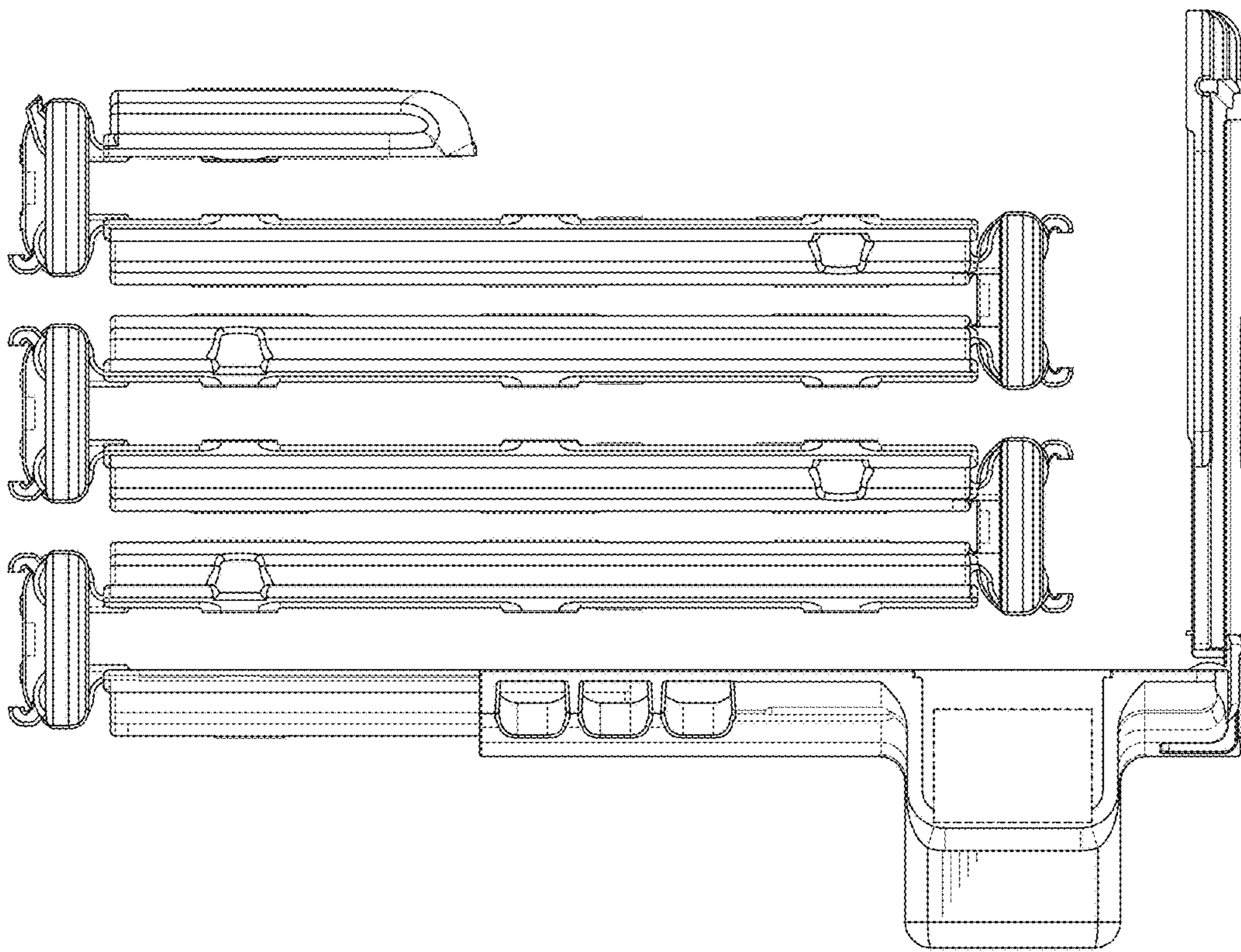


FIG. 3

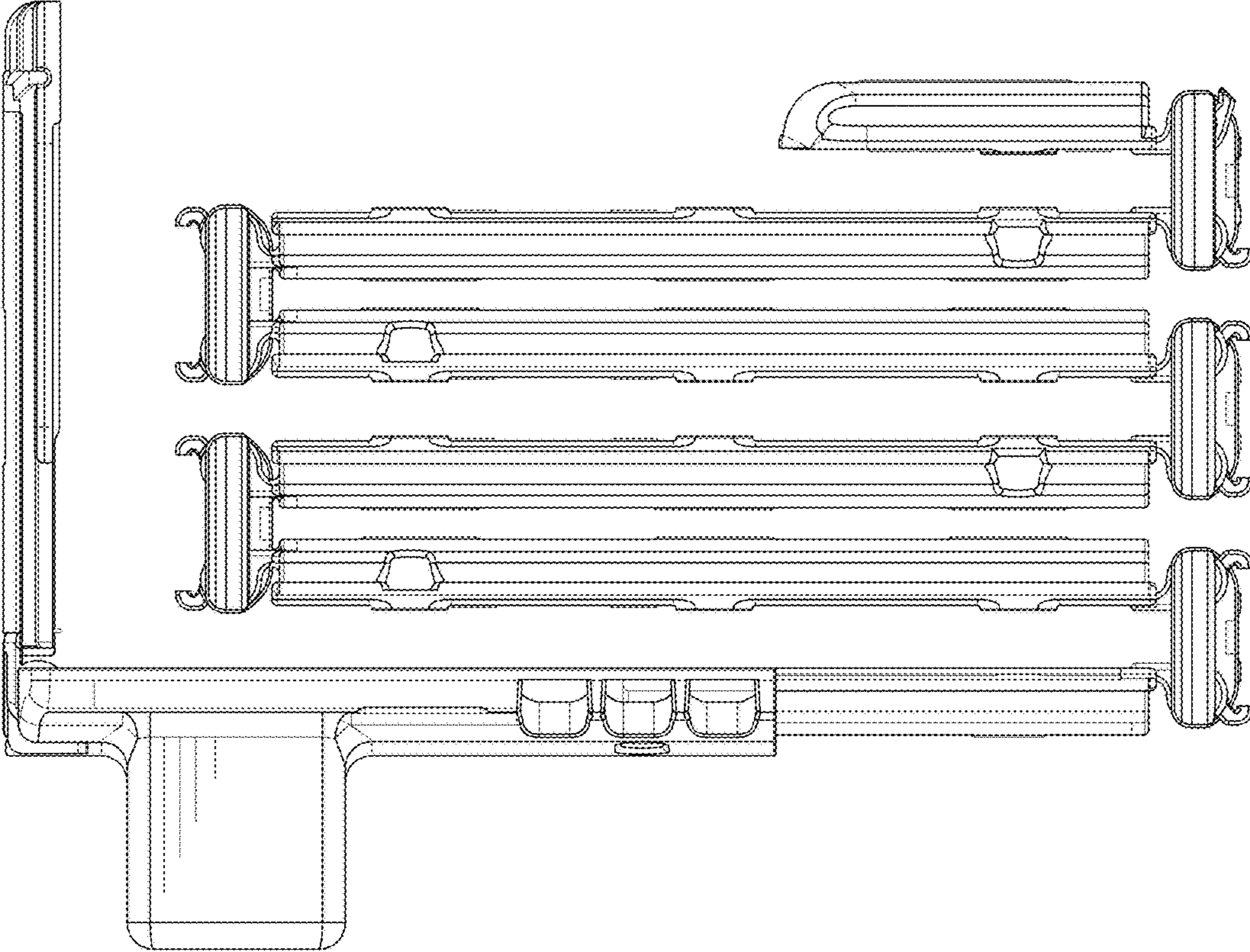


FIG. 4

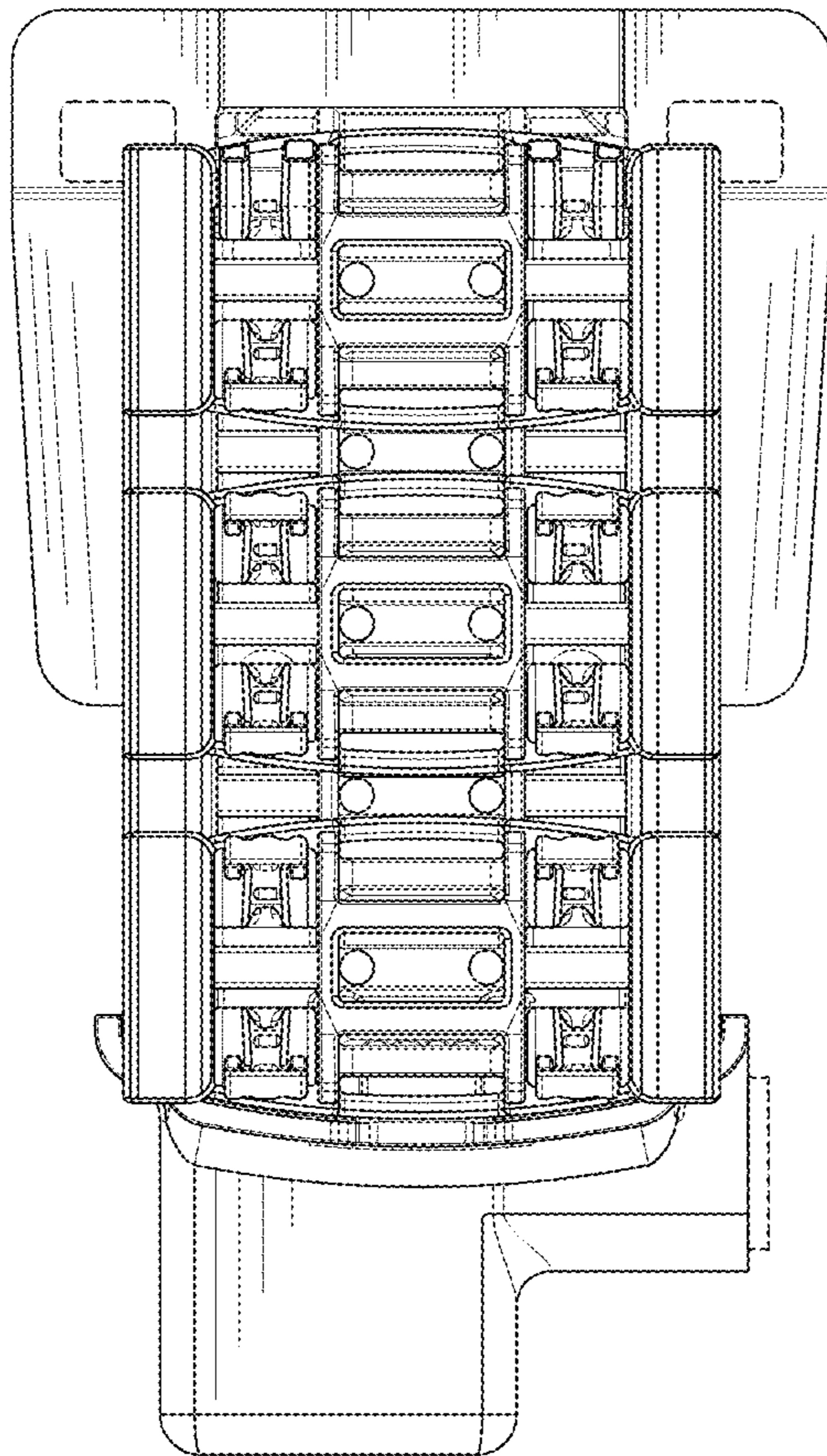


FIG. 5

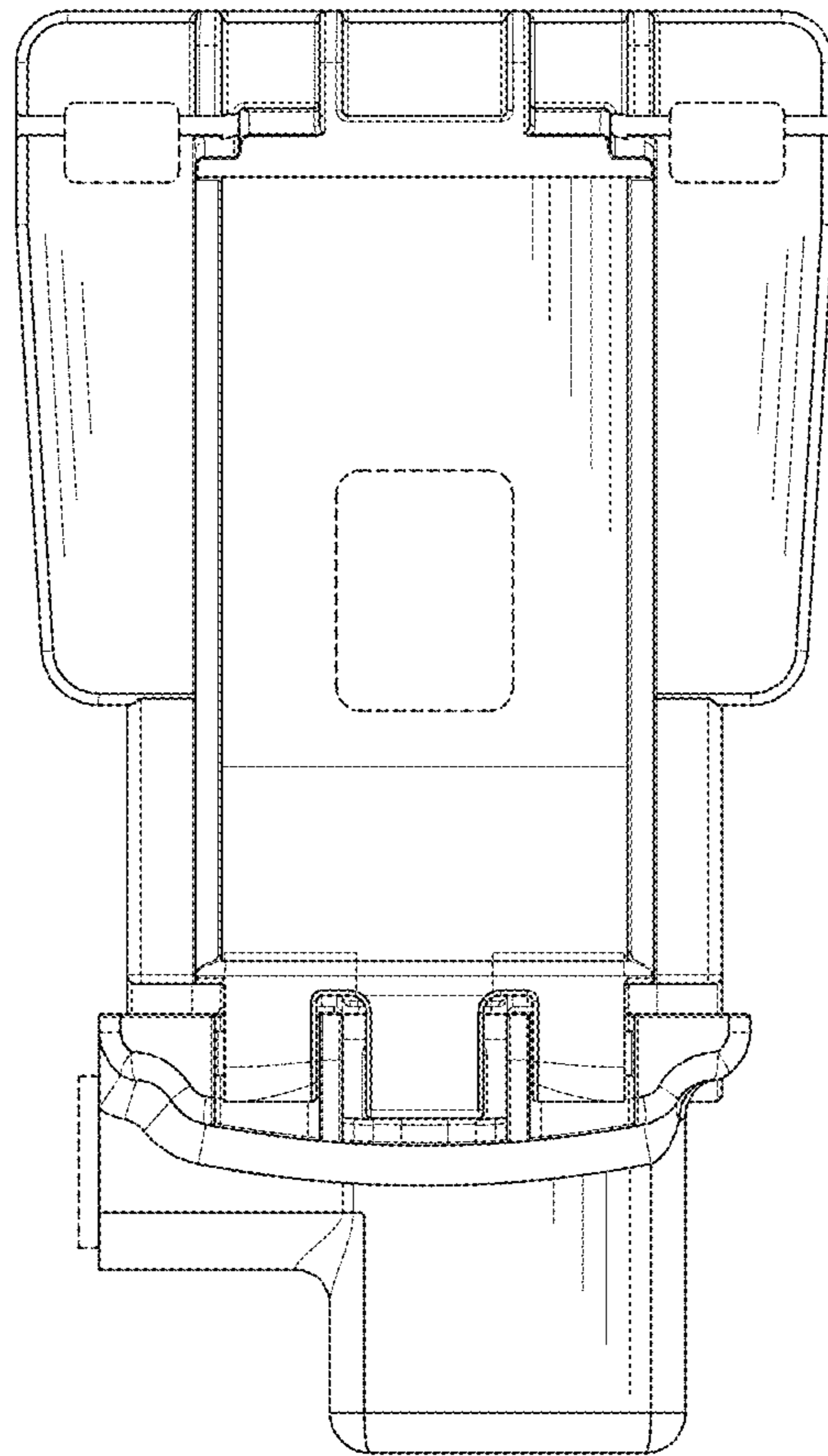


FIG. 6

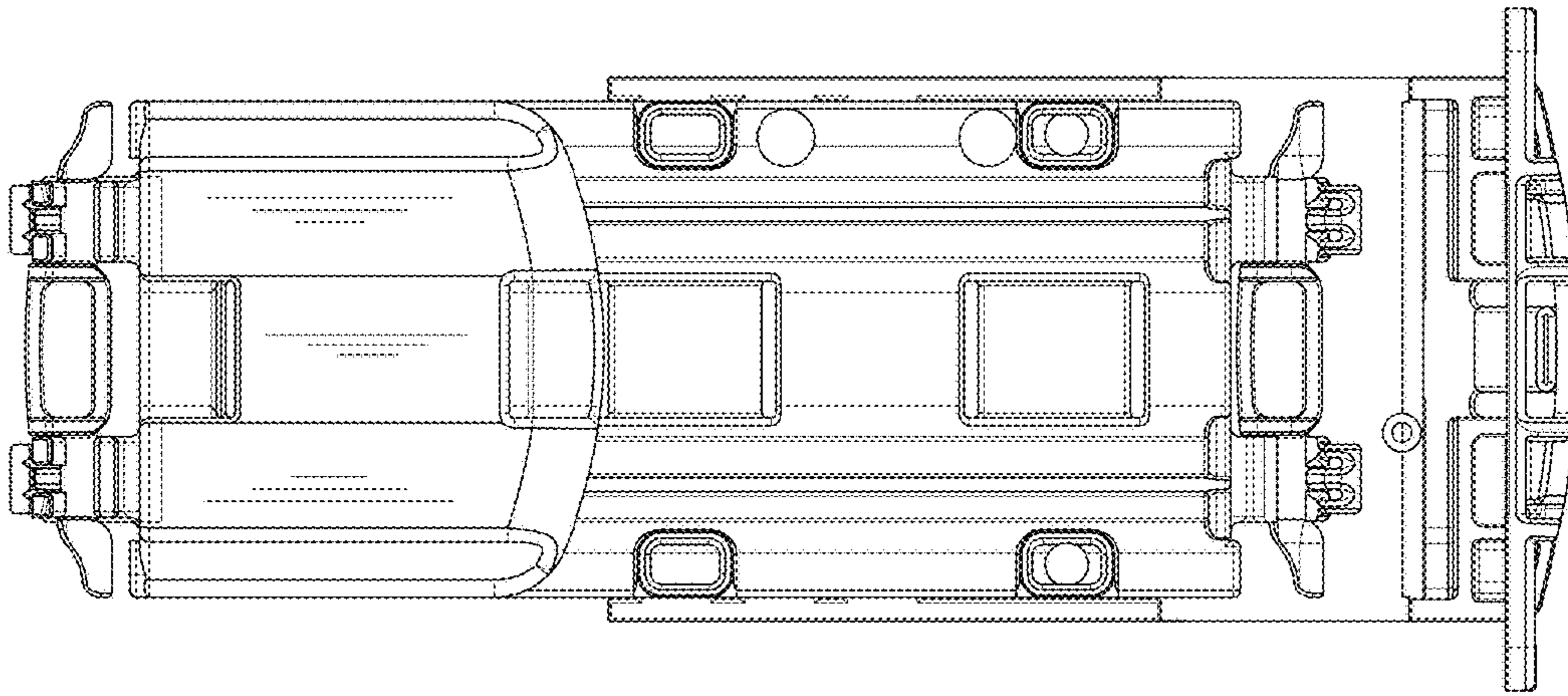


FIG. 7

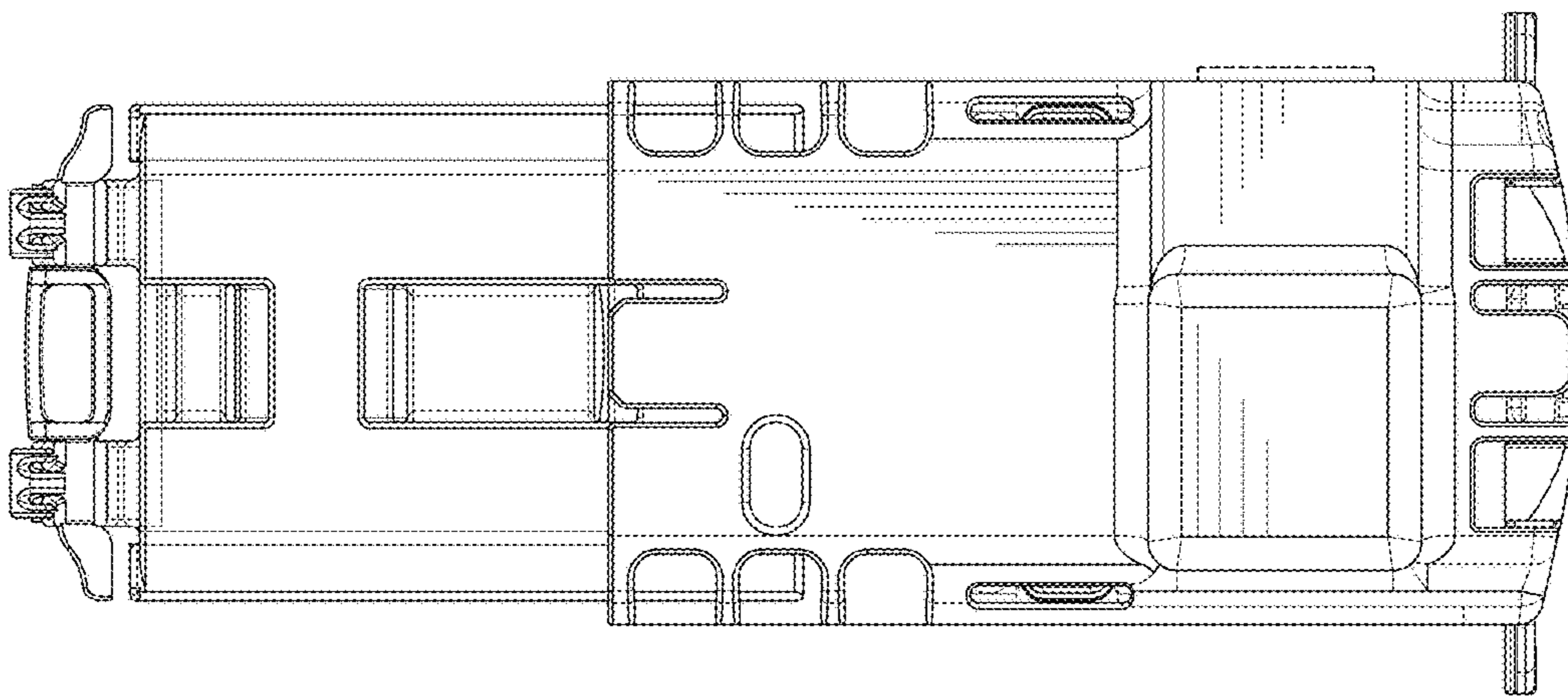


FIG. 8

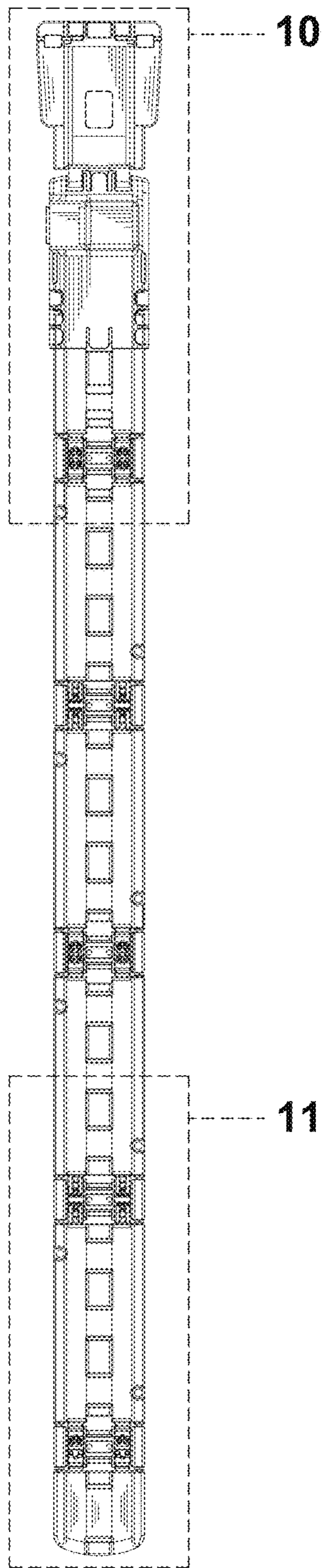


FIG. 9

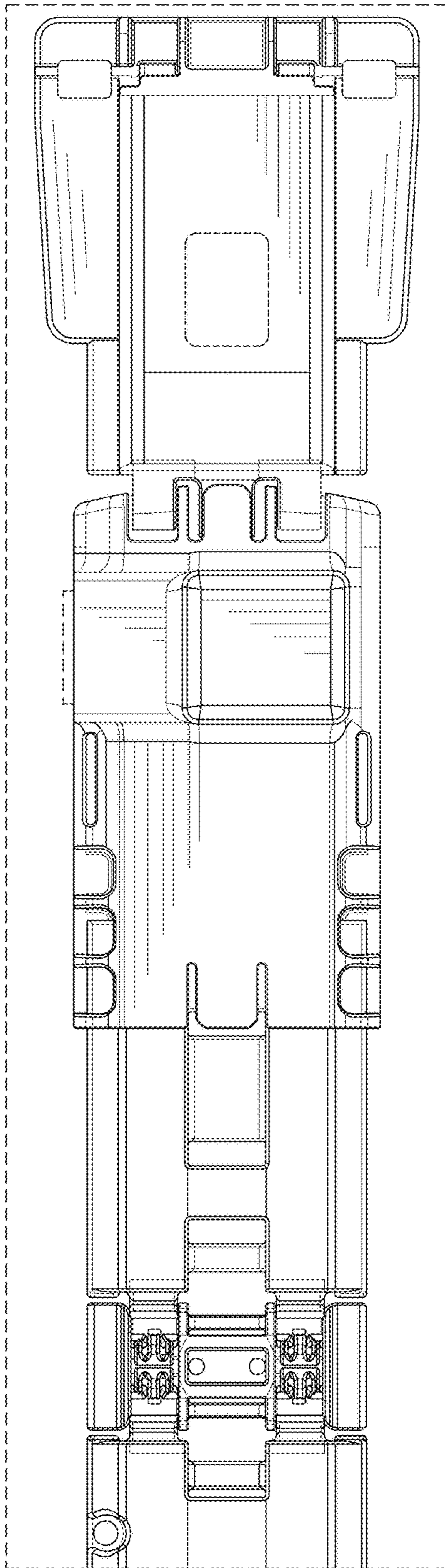


FIG. 10

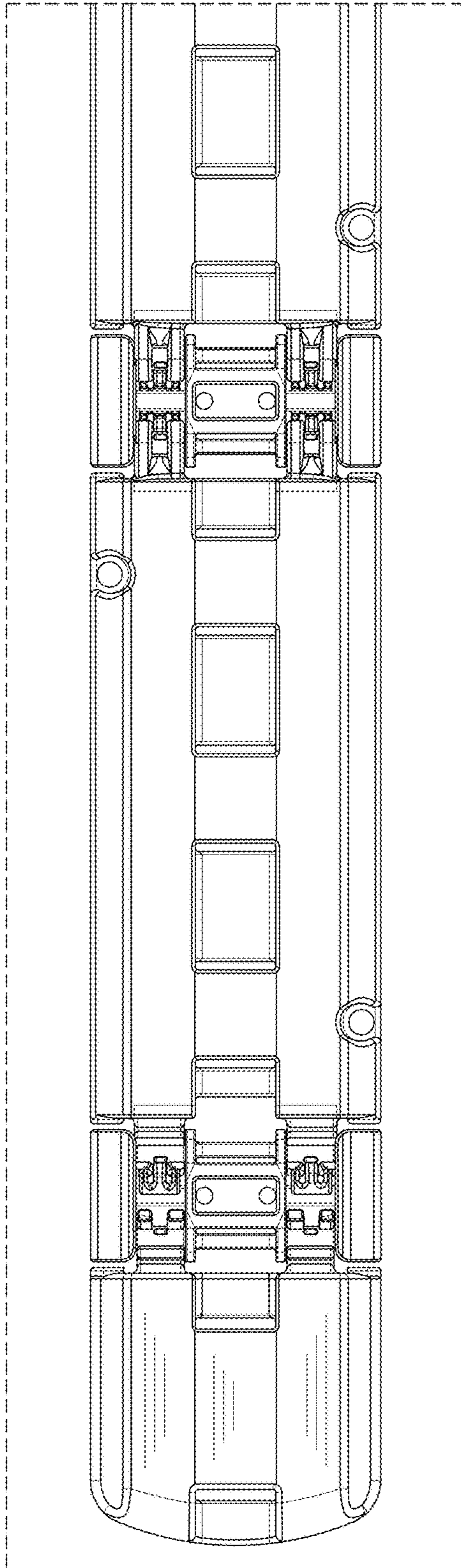


FIG. 11

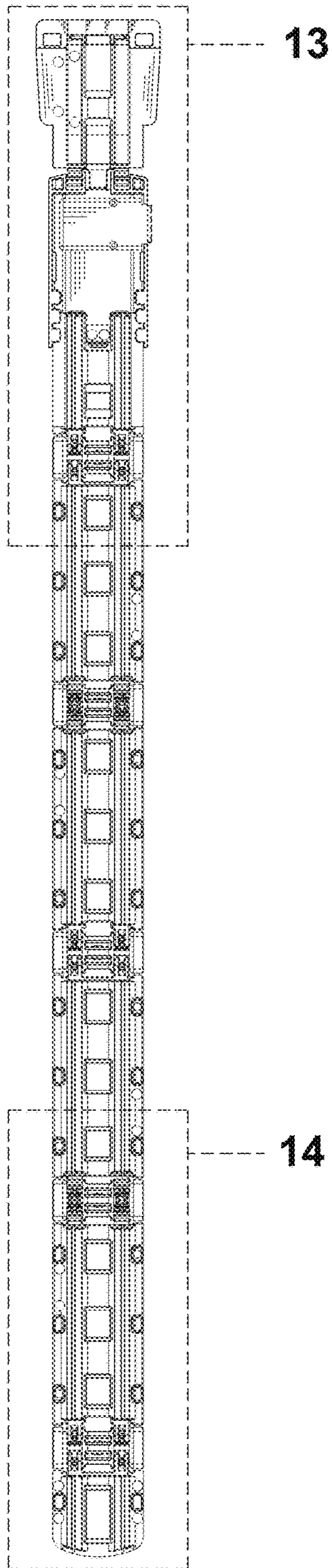


FIG. 12

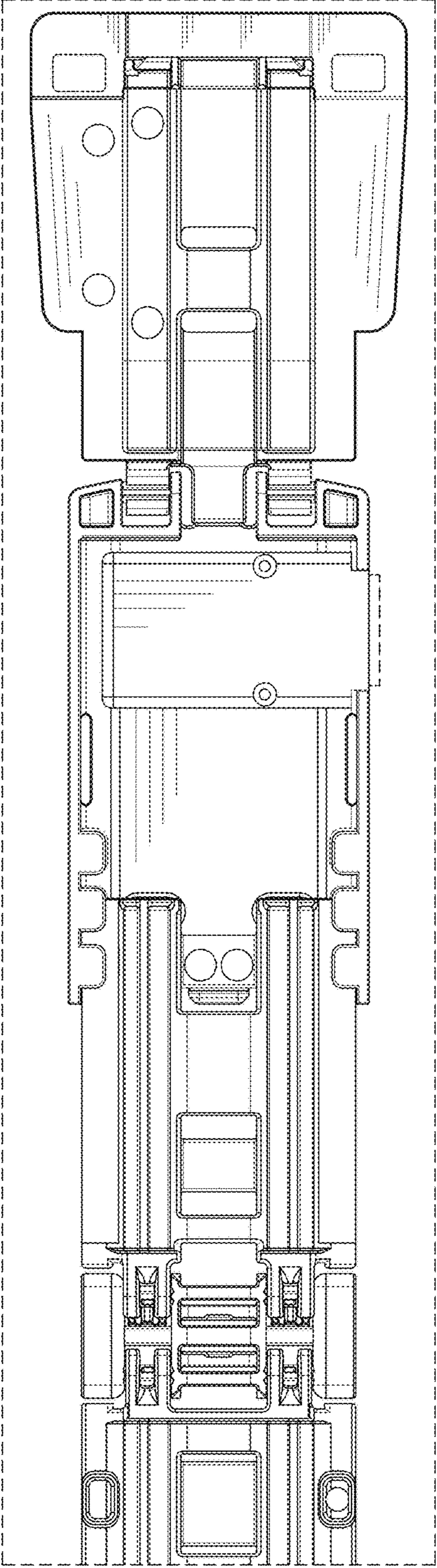


FIG. 13

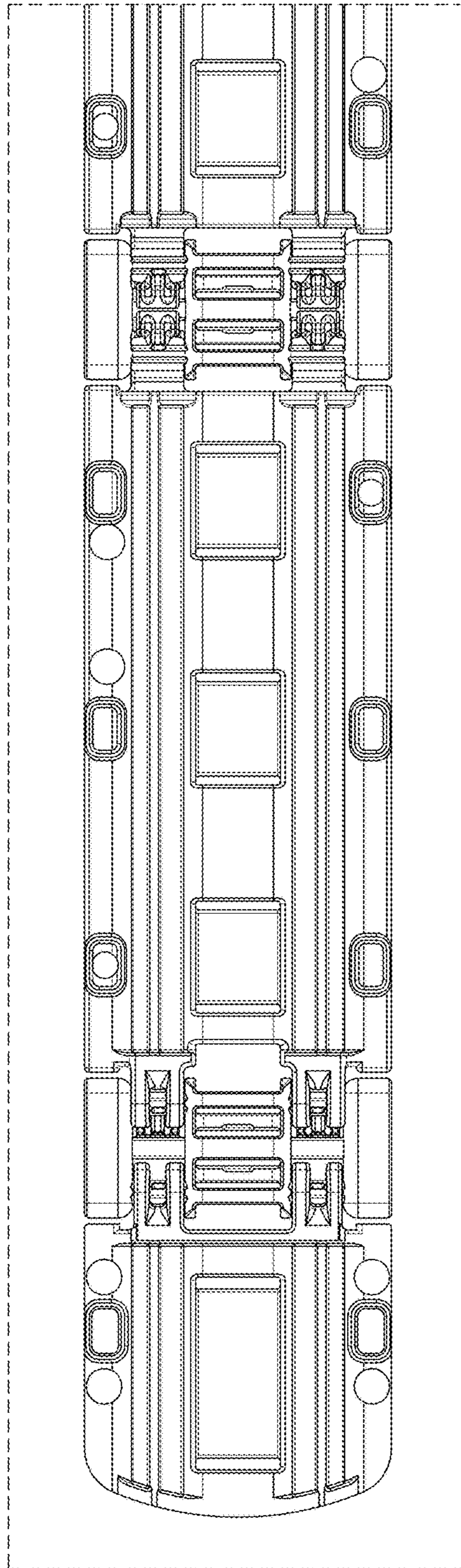


FIG. 14

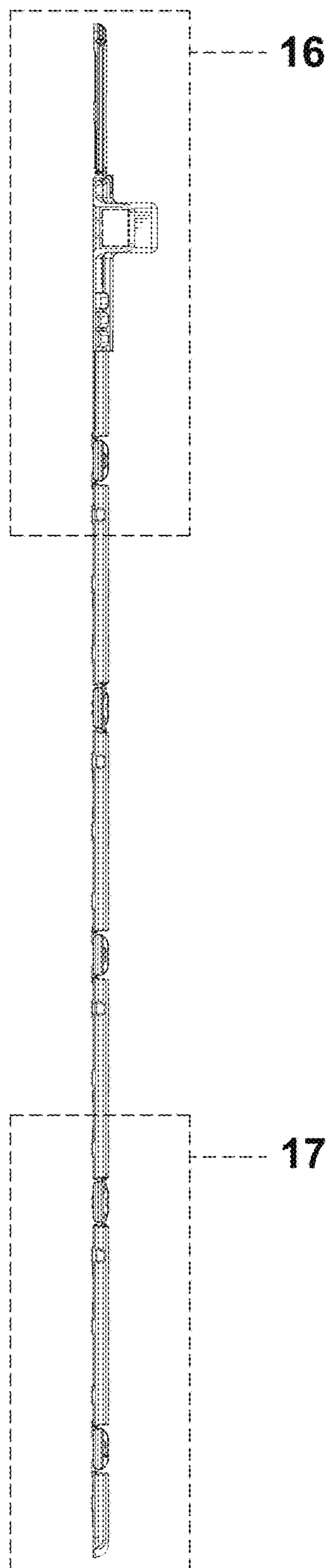


FIG. 15

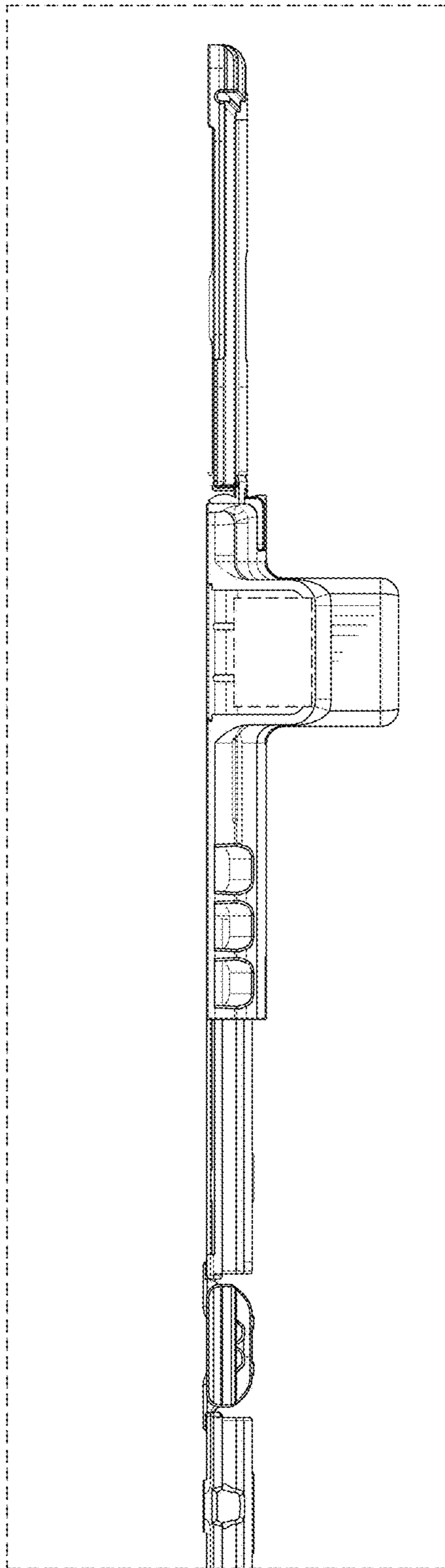


FIG. 16

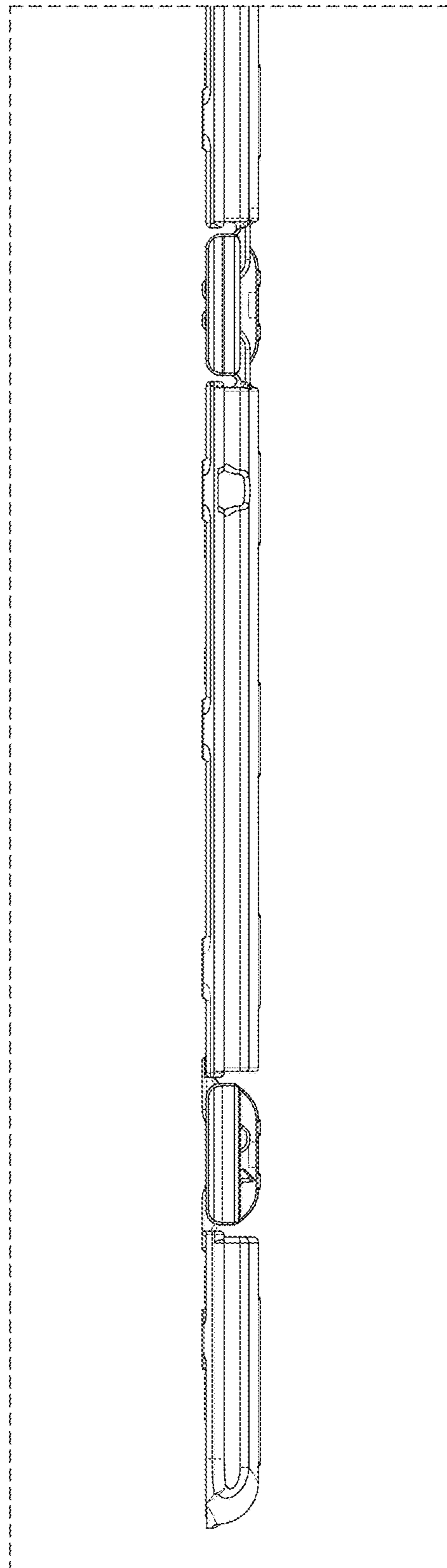


FIG. 17

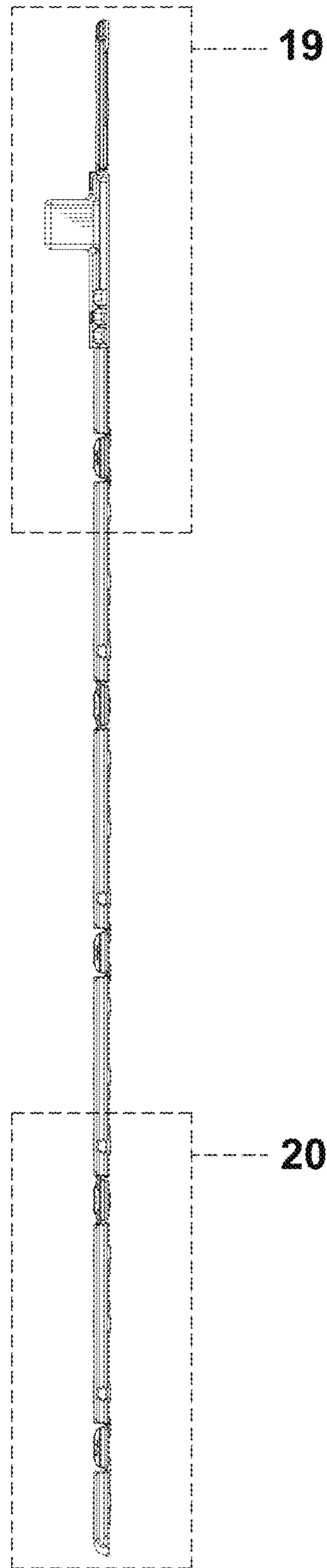


FIG. 18

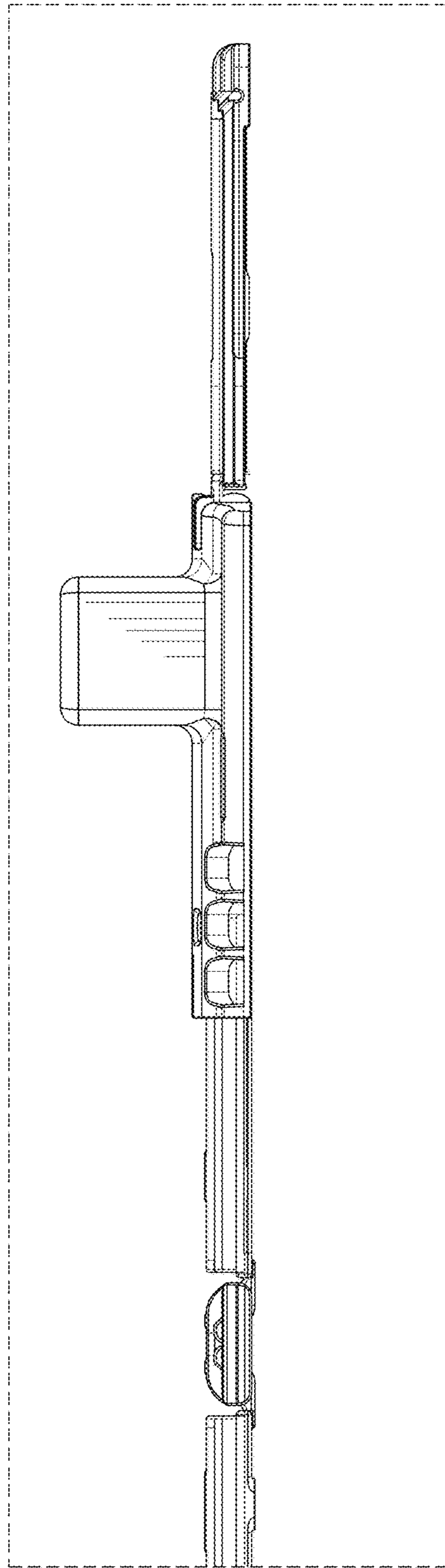


FIG. 19

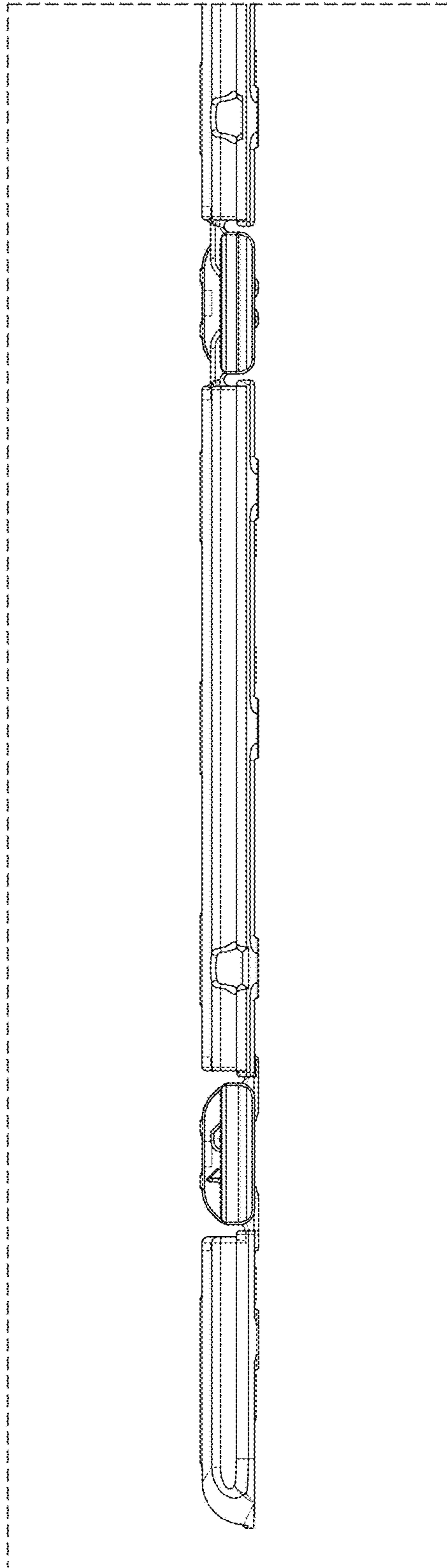


FIG. 20

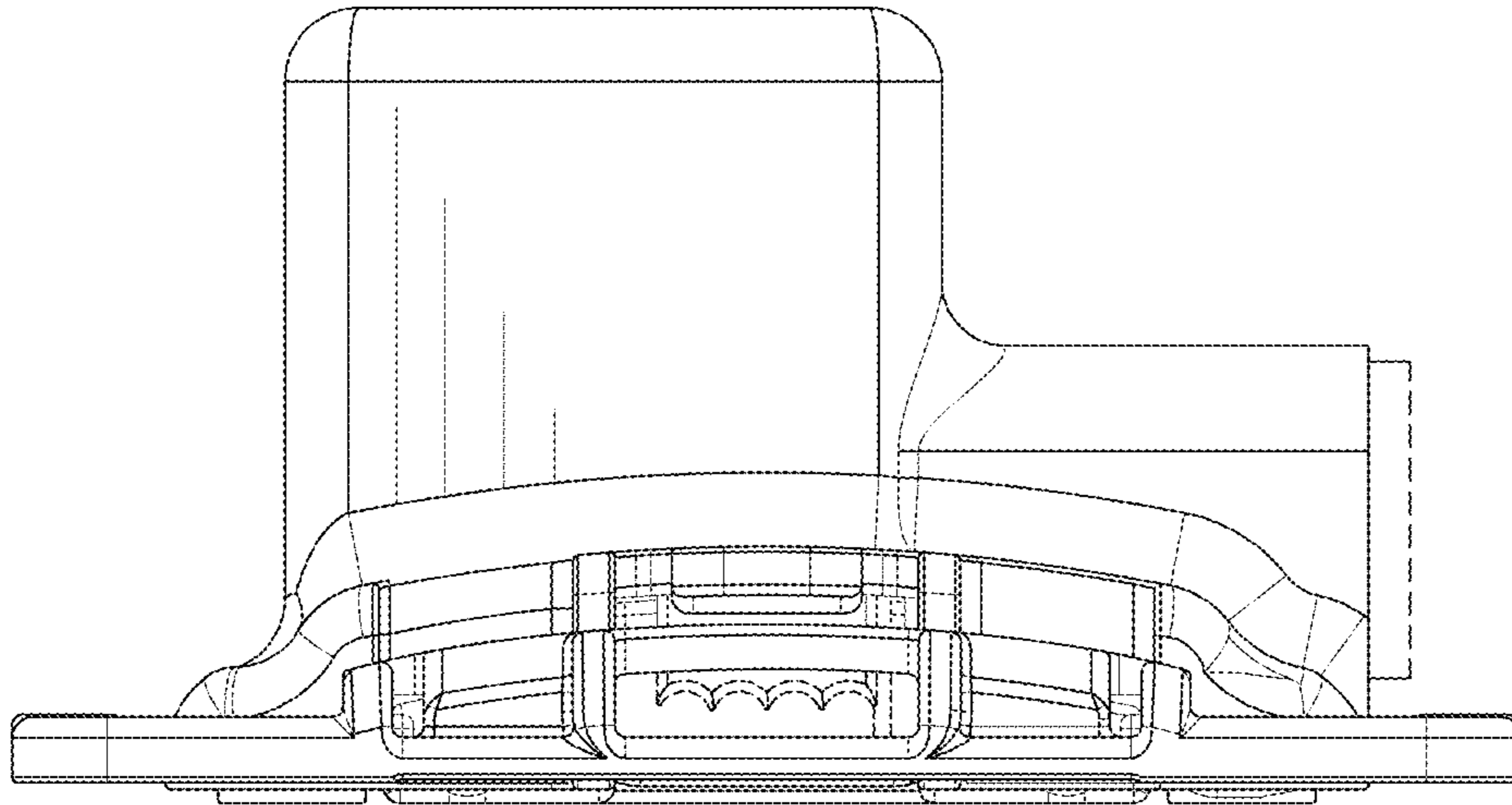


FIG. 21

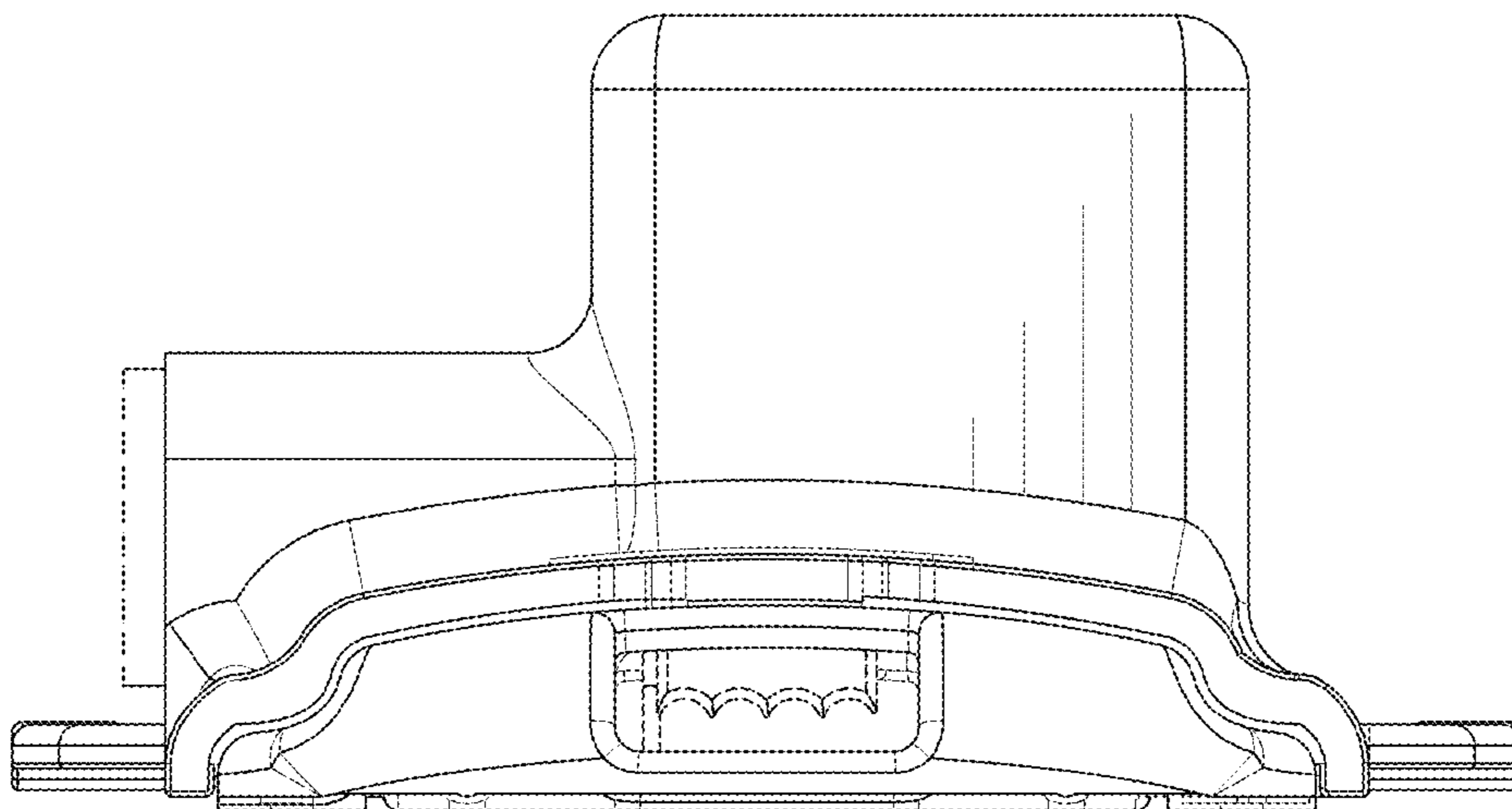


FIG. 22

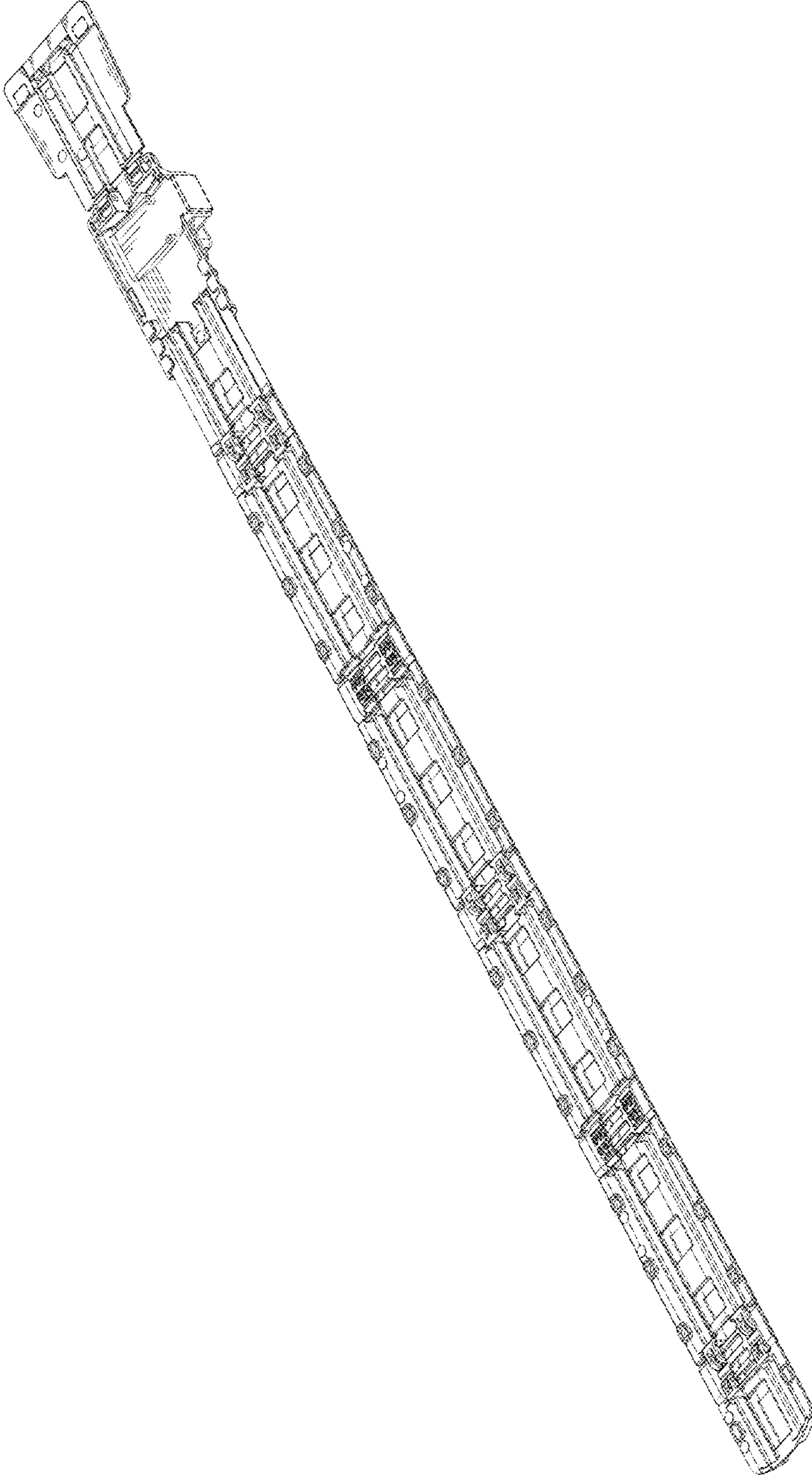


FIG. 23

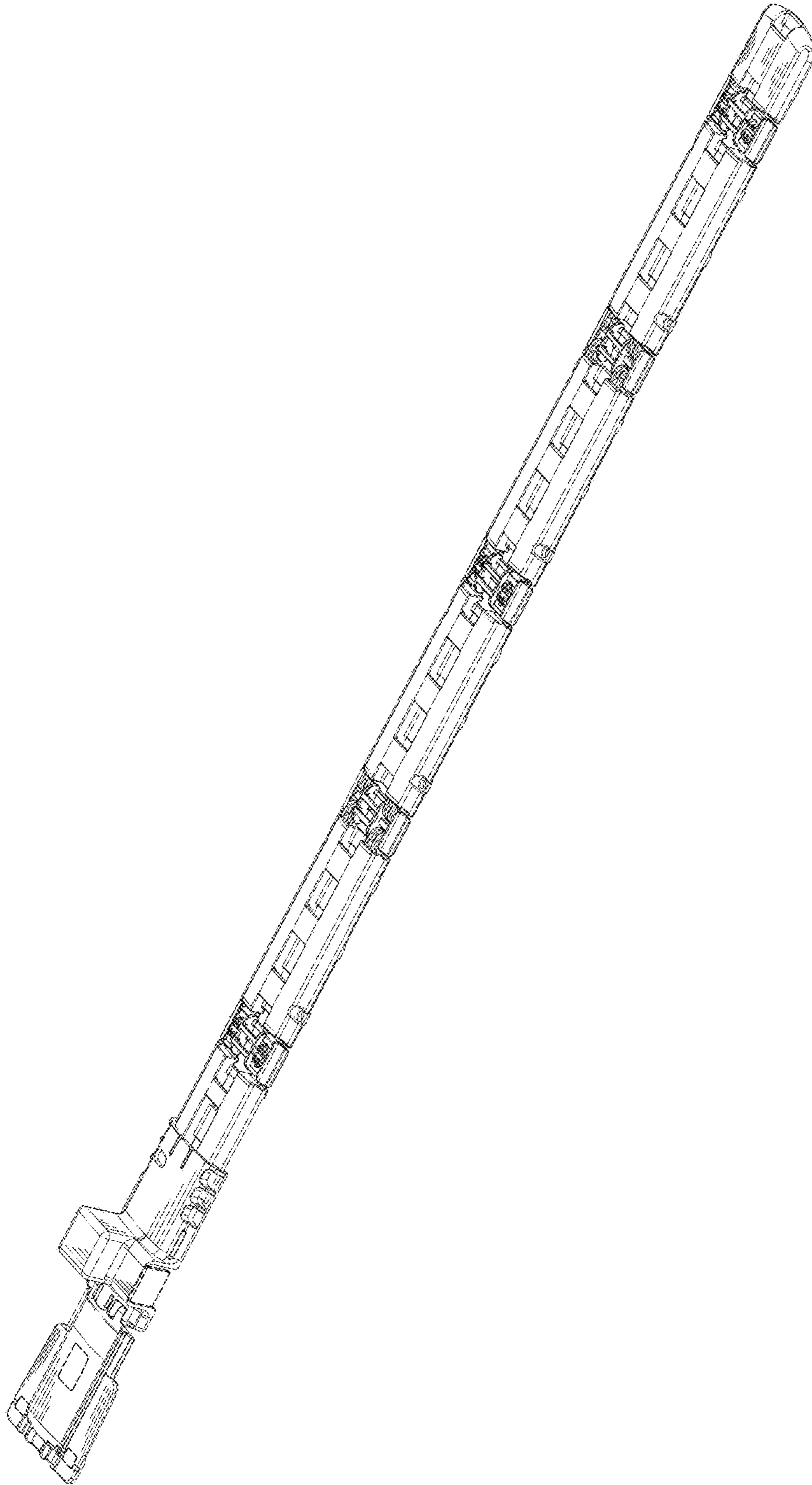


FIG. 24