



US00D829176S

(12) **United States Design Patent** (10) **Patent No.:** **US D829,176 S**
Duque (45) **Date of Patent:** **** Sep. 25, 2018**

(54) **POWER STAND**

(71) Applicant: **Michael Duque**, Oxnard, CA (US)

(72) Inventor: **Michael Duque**, Oxnard, CA (US)

(**) Term: **15 Years**

(21) Appl. No.: **29/562,527**

(22) Filed: **Apr. 26, 2016**

(51) **LOC (11) Cl.** **13-03**

(52) **U.S. Cl.**
USPC **D13/139.4**

(58) **Field of Classification Search**
USPC D13/108, 110, 123, 133, 137.1–137.4,
D13/138.1–138.2, 139.1–139.8, 152–154,
D13/156, 158, 177, 146, 147;
D8/350–353, 331; D25/138, 163, 164
CPC H01R 25/00; H01R 25/006; H01R 9/00;
H01R 11/00; H01R 3/00; H01R 31/06;
H05K 5/02; H05K 7/1432; H02M 7/003;
H02J 7/0062

See application file for complete search history.

(56) **References Cited**

U.S. PATENT DOCUMENTS

D331,915 S *	12/1992	Martin	D13/154
D379,085 S *	5/1997	Mackay	D13/110
D383,439 S *	9/1997	Tremmel	D13/137.3
D460,420 S *	7/2002	Whipple	D13/137.4
D472,521 S *	4/2003	Giesbrecht	D13/137.4
D720,288 S *	12/2014	Ko	D13/108
D720,289 S *	12/2014	Chiang	D13/108
D738,823 S *	9/2015	Chen	D13/108
9,124,056 B1 *	9/2015	Lewis, Jr.	H01R 39/64
D741,256 S *	10/2015	Murphy-Reinhertz	D13/108
D748,578 S *	2/2016	Takagi	D13/137.2
D758,168 S *	6/2016	Gartner	D8/331
D770,881 S *	11/2016	Gartner	D8/331
D784,259 S *	4/2017	Huang	D13/108
2007/0026694 A1 *	2/2007	Mayer	H01R 25/006 439/13

(Continued)

Primary Examiner — Rosemary K Tarcza

Assistant Examiner — Christy M Nemeth

(74) *Attorney, Agent, or Firm* — Law Office of Jeff Williams; J. Oliver Williams

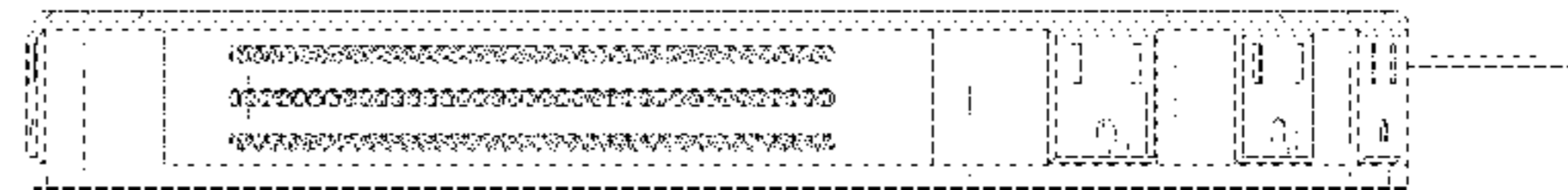
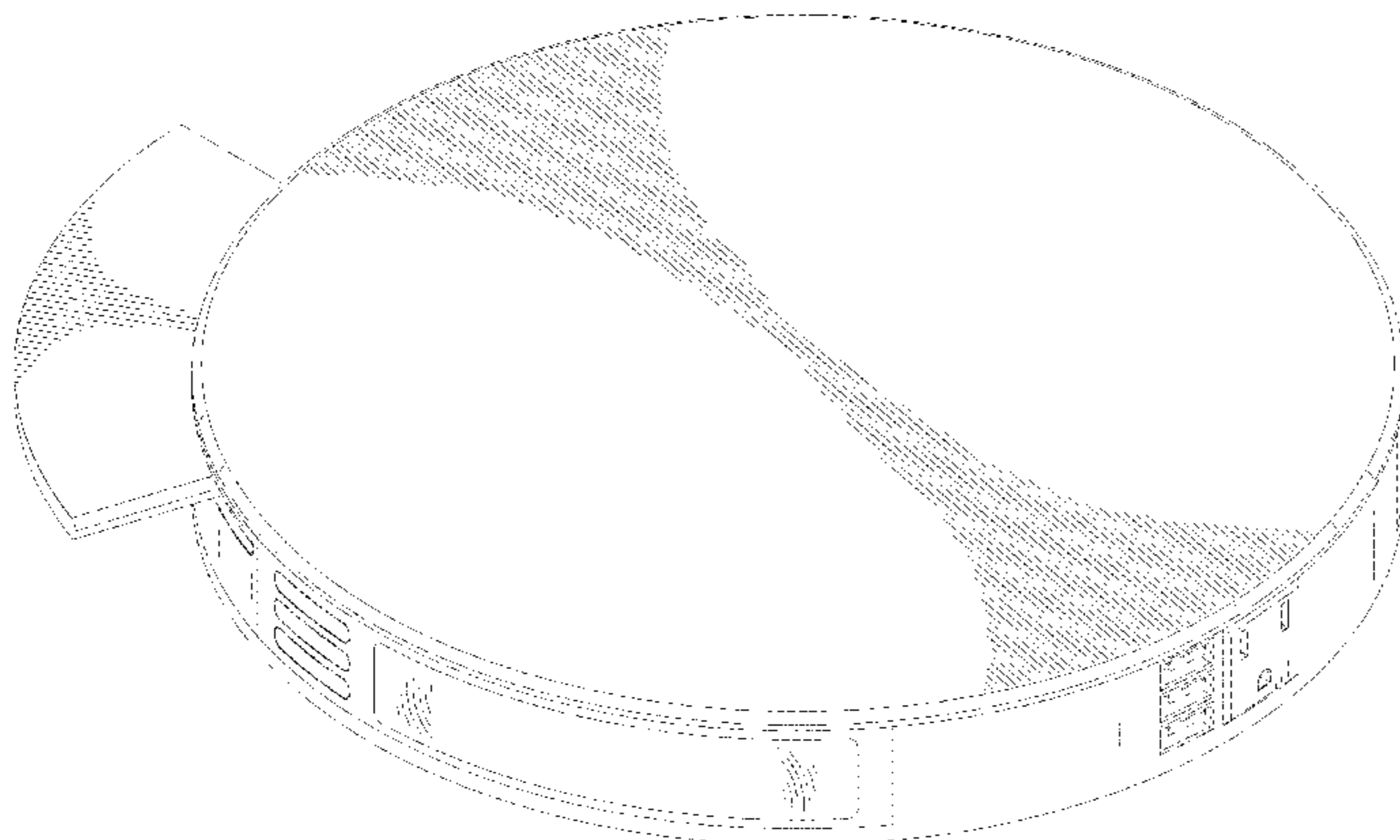
(57) **CLAIM**

The ornamental design for a power stand, as shown and described.

DESCRIPTION

FIG. 1 is a perspective view of a power stand of my new design.
 FIG. 2 is a front view thereof.
 FIG. 3 is a back view thereof.
 FIG. 4 is a right view thereof.
 FIG. 5 is a left view thereof.
 FIG. 6 is a top view thereof.
 FIG. 7 is a bottom view thereof.
 FIG. 8 is an exploded perspective view thereof.
 FIG. 9 is a perspective view of the base of the power stand, shown separately for ease of illustration.
 FIG. 10 is a front view of the base of the power stand, shown separately for ease of illustration.
 FIG. 11 is a back view of the base of the power stand, shown separately for ease of illustration.
 FIG. 12 is a right view of the base of the power stand, shown separately for ease of illustration.
 FIG. 13 is a left view of the base of the power stand, shown separately for ease of illustration.
 FIG. 14 is a top view of the base of the power stand, shown separately for ease of illustration; and,
 FIG. 15 is a bottom view of the base of the power stand, shown separately for ease of illustration.
 The broken lines in the drawings are for the purpose of illustrating portions of the power stand that form no part of the claimed design.

1 Claim, 9 Drawing Sheets



(56)

References Cited

U.S. PATENT DOCUMENTS

2011/0177703 A1* 7/2011 Lin A47B 21/06
439/131

* cited by examiner

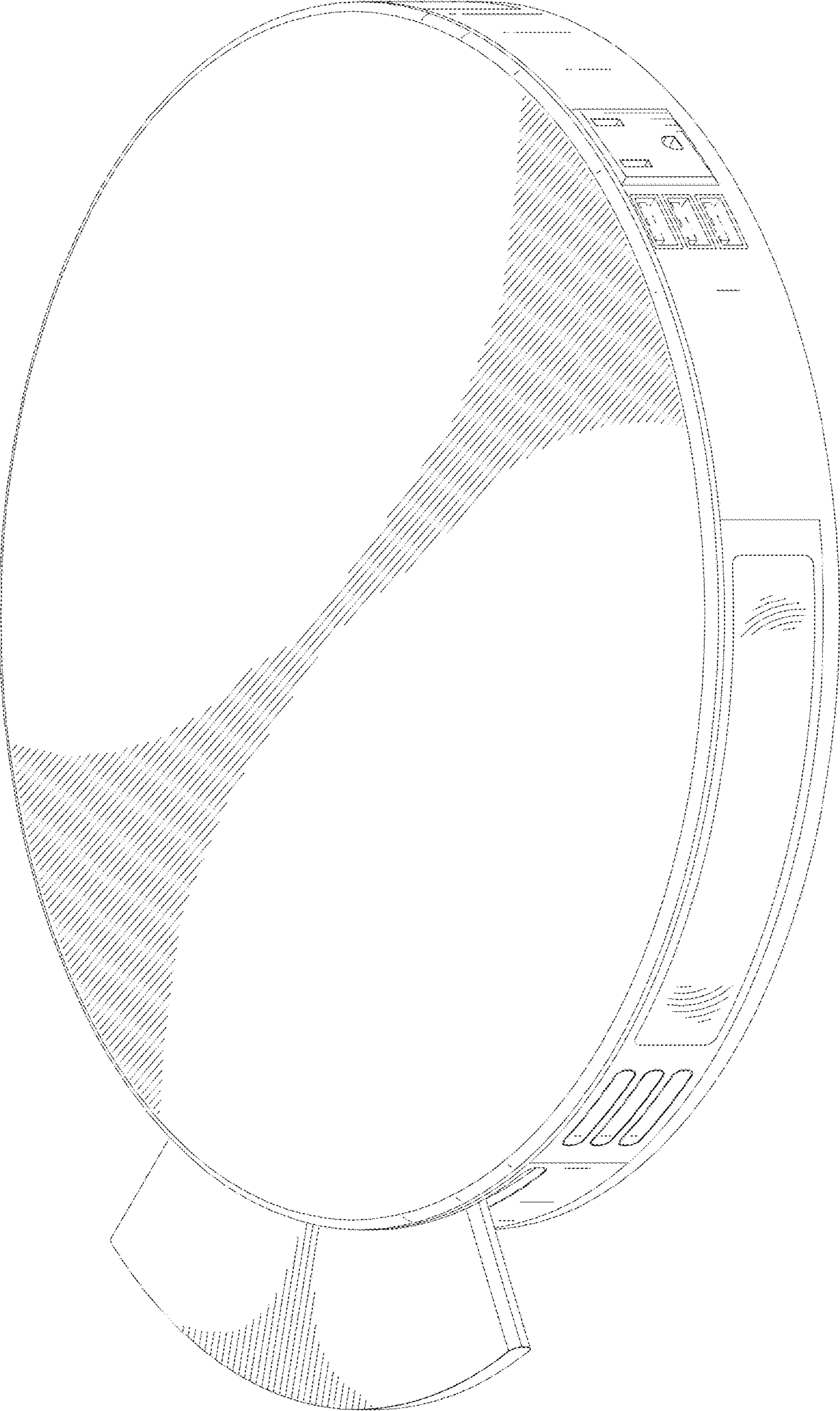


FIG. 1

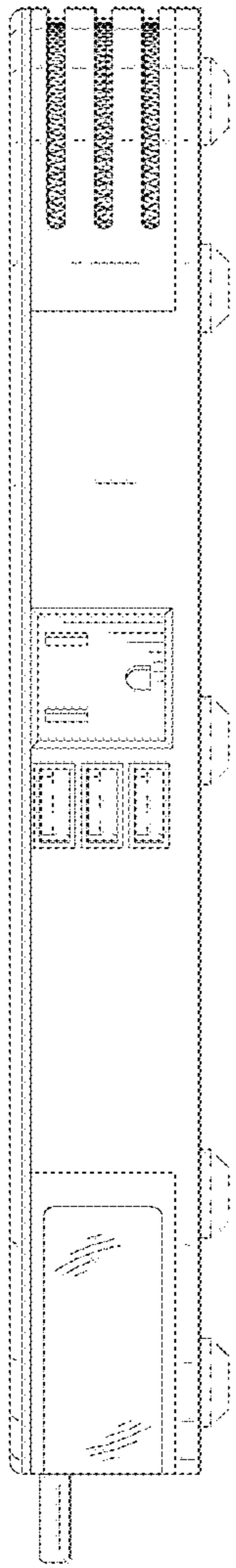


FIG. 2

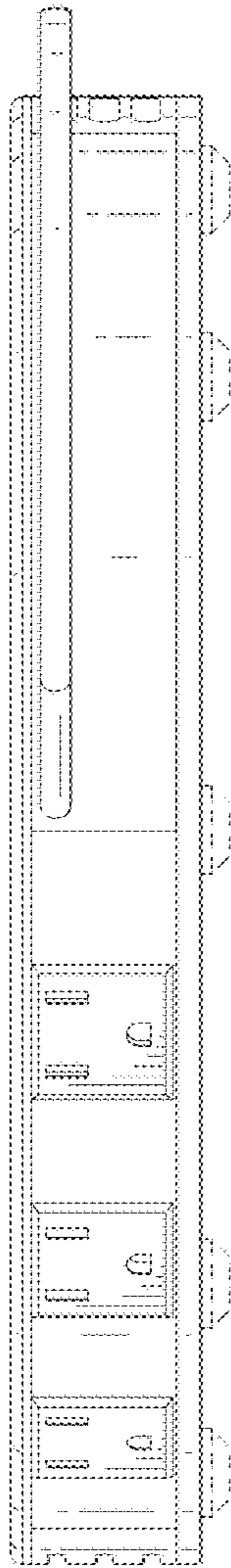


FIG. 3

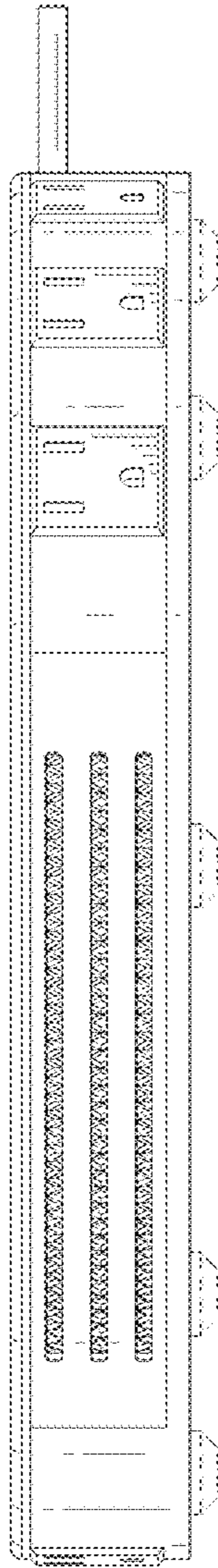


FIG. 4

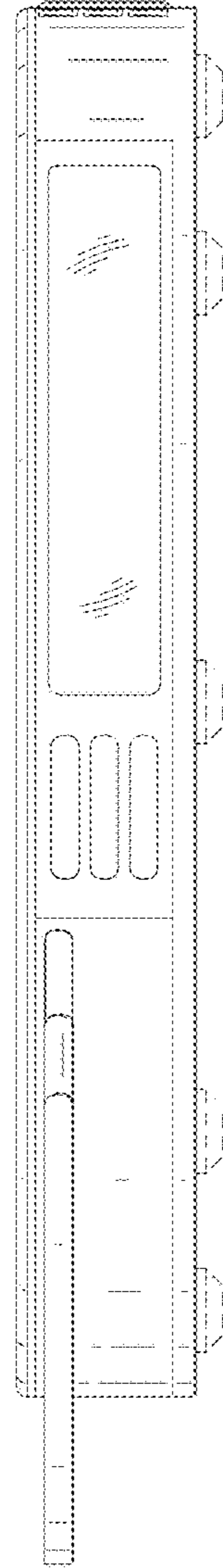


FIG. 5

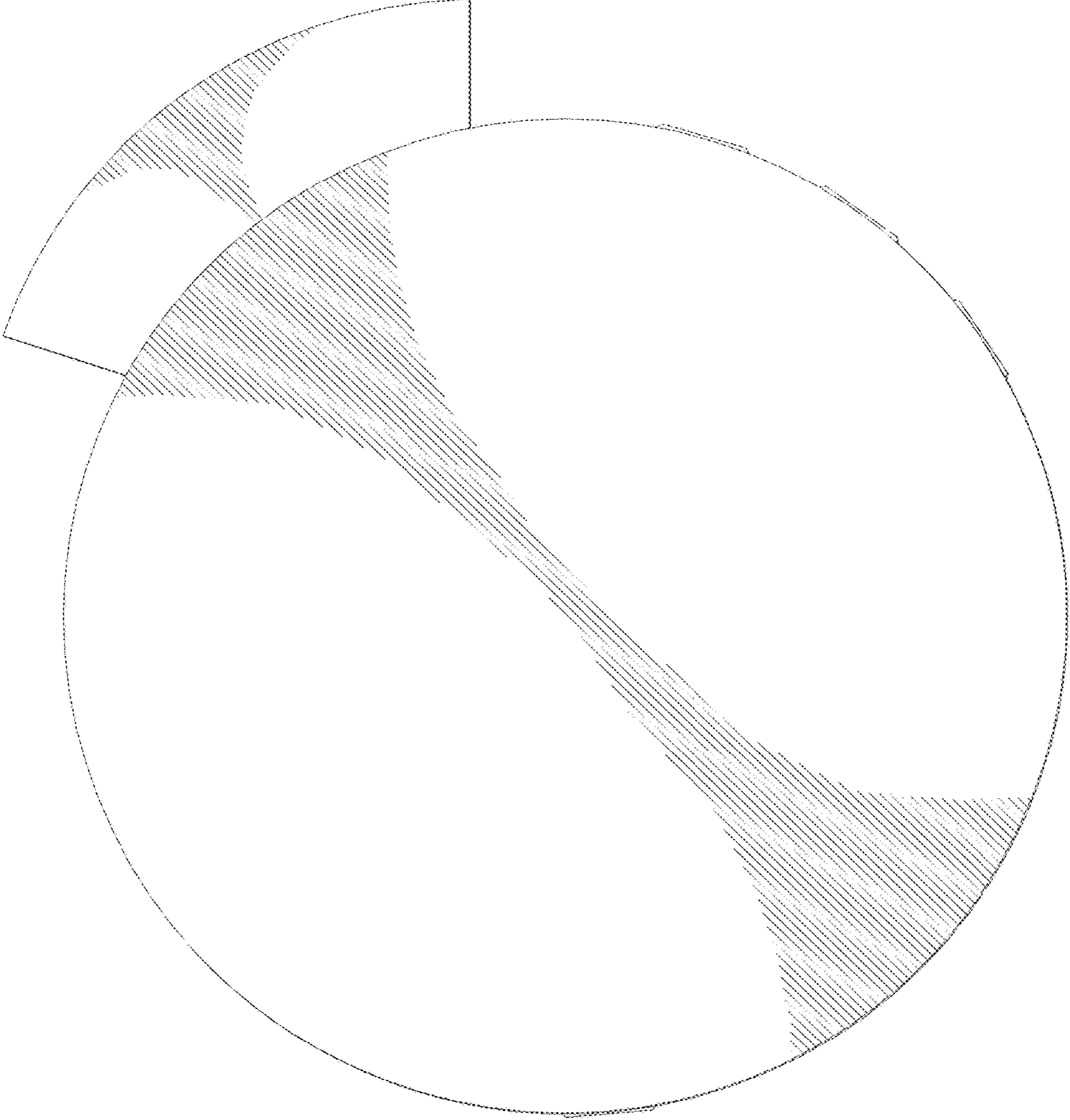


FIG. 6

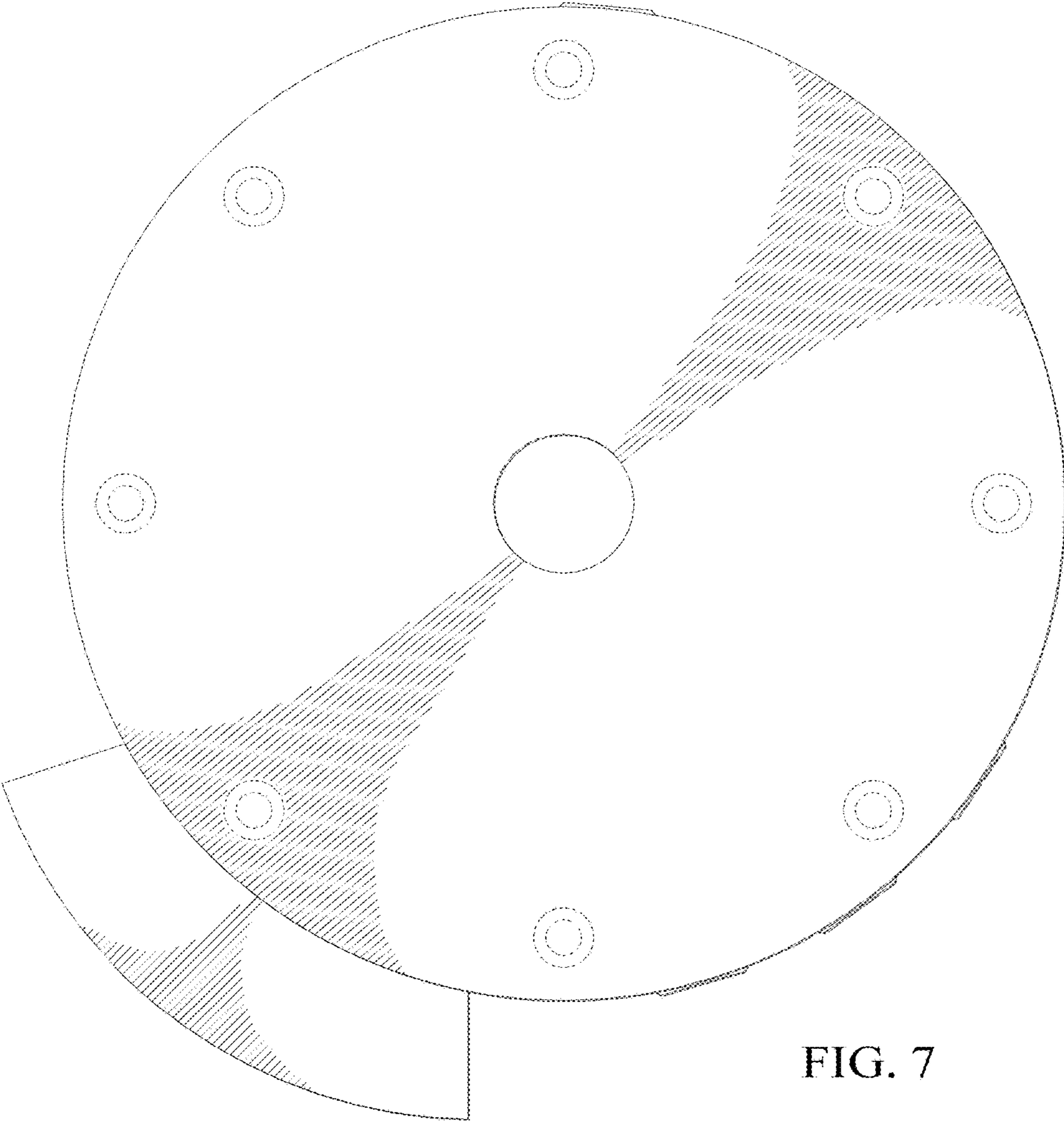


FIG. 7

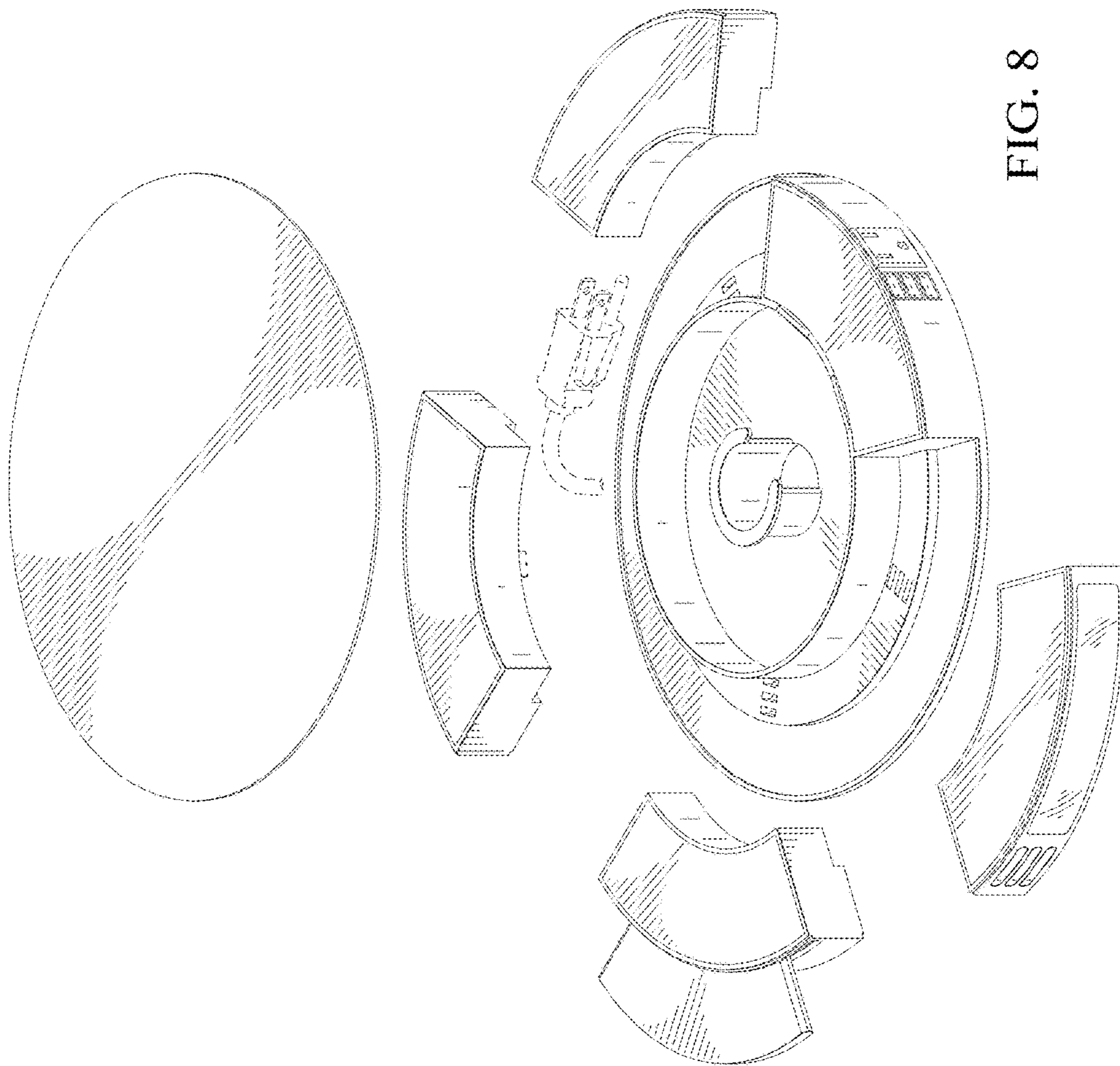


FIG. 8

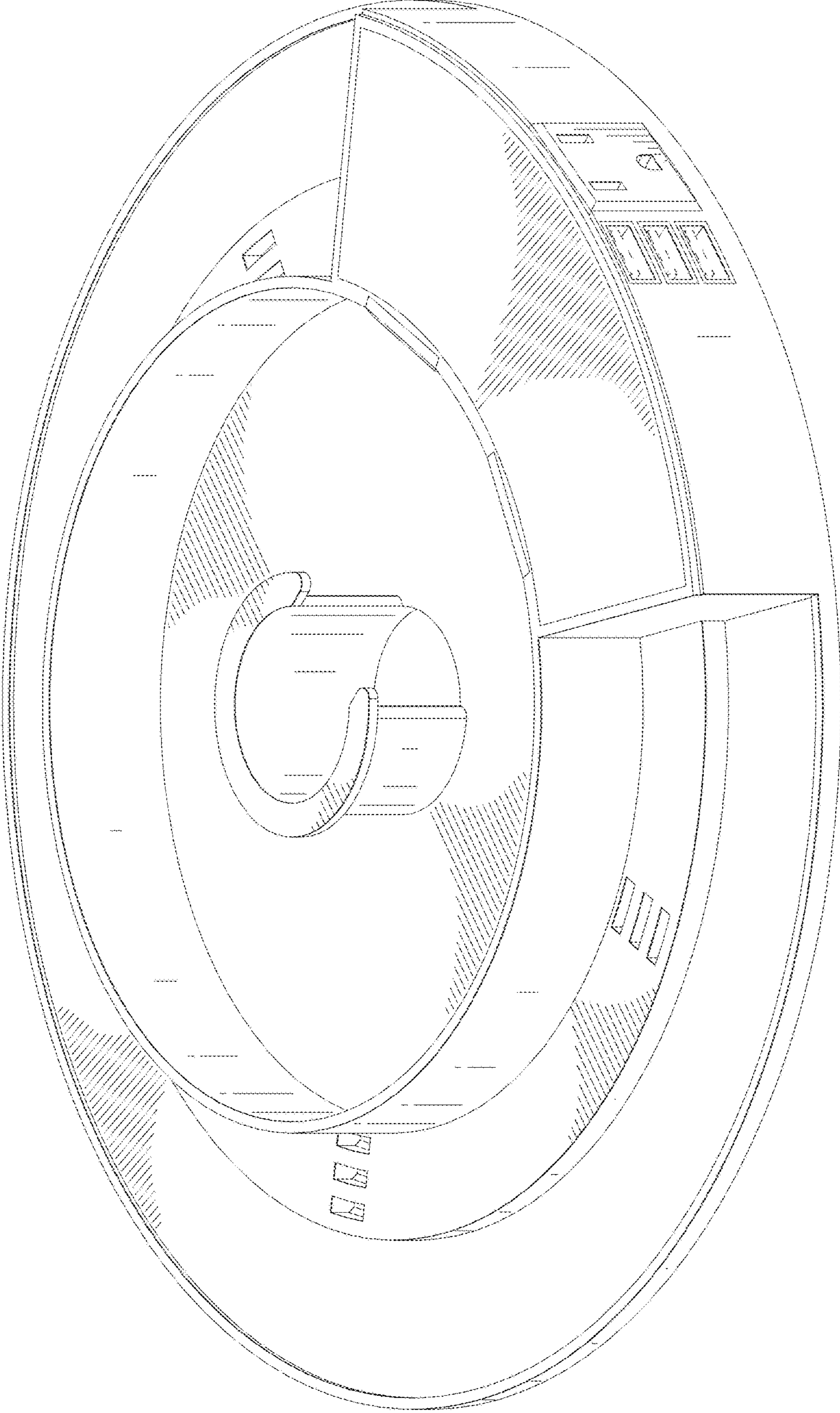


FIG. 9

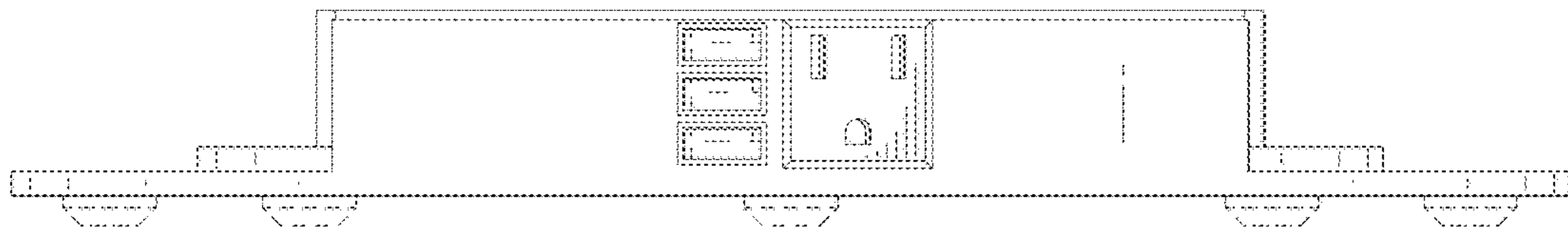


FIG. 10

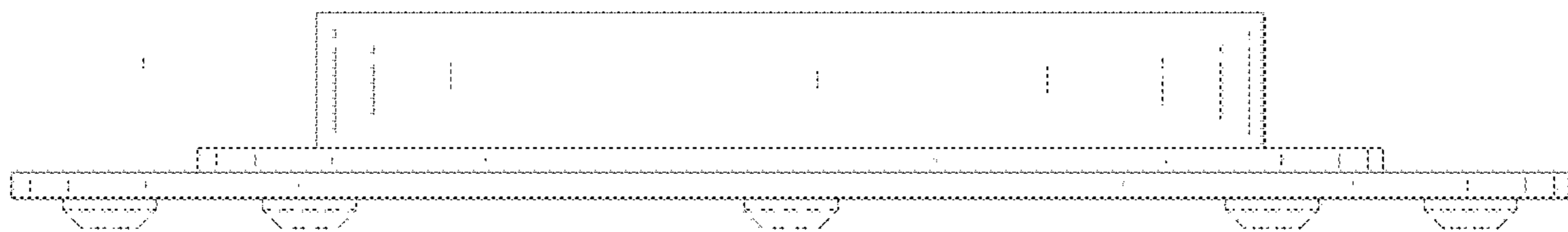


FIG. 11

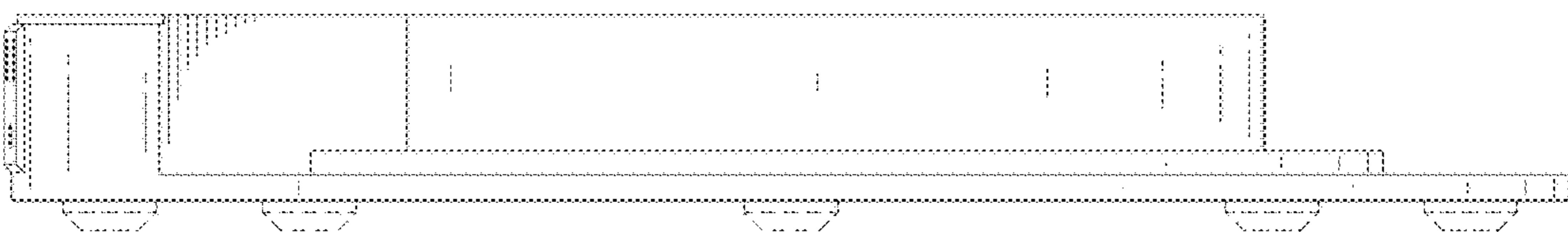


FIG. 12

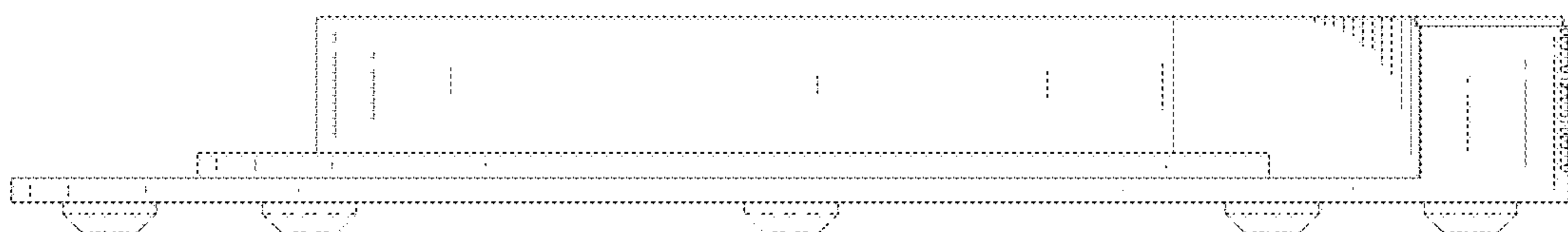


FIG. 13

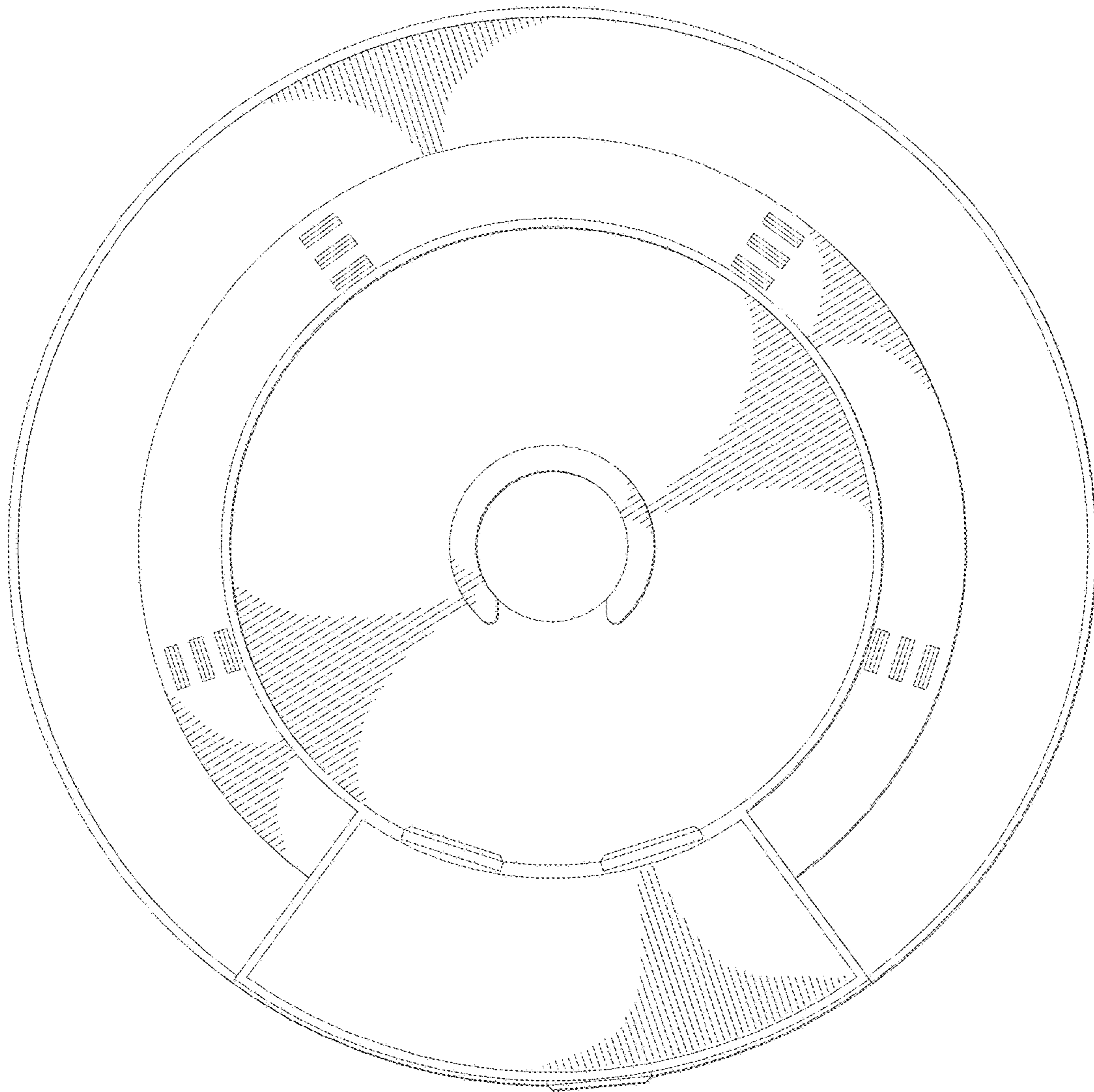


FIG. 14

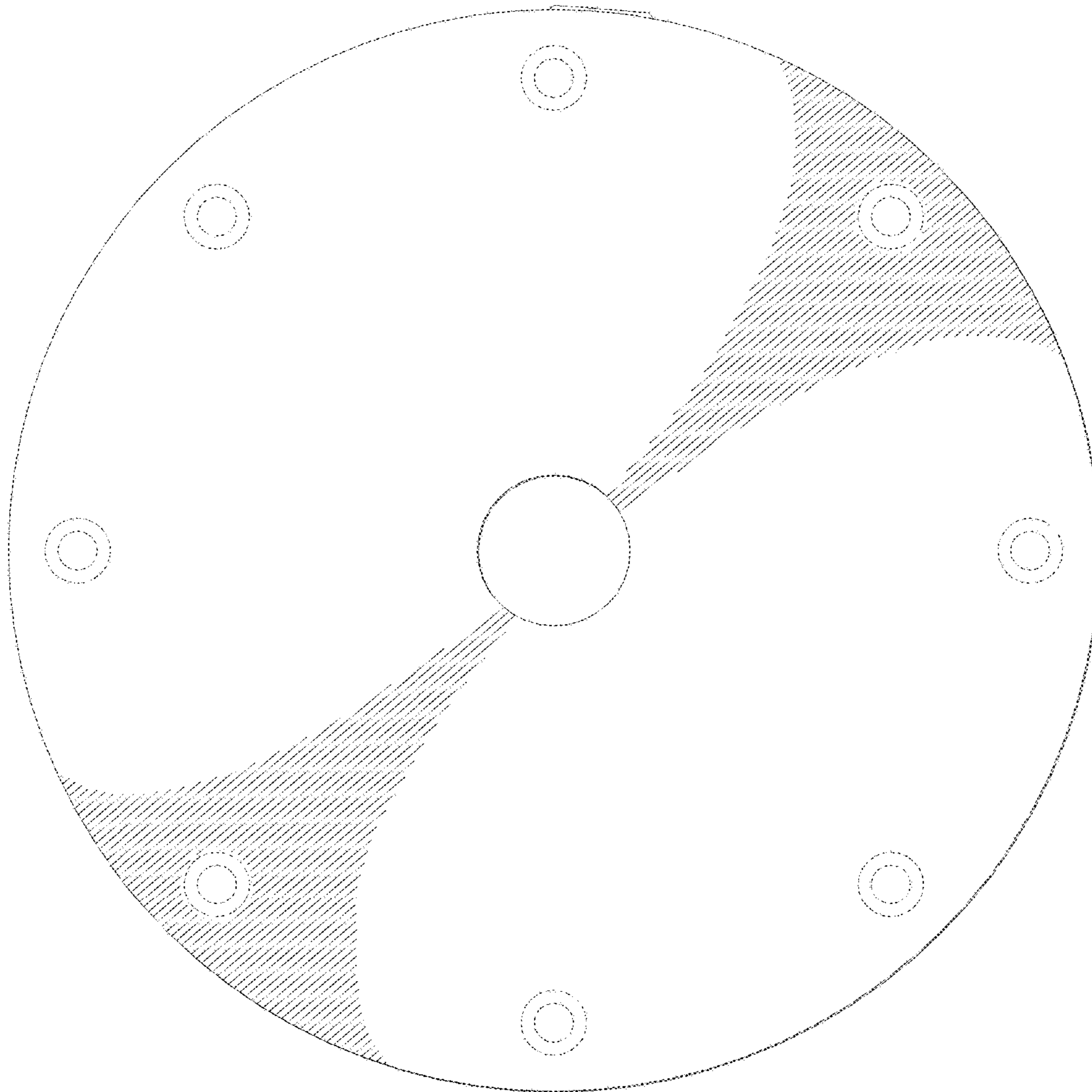


FIG. 15