



US00D829175S

(12) **United States Design Patent**  
**Terajima et al.**

(10) **Patent No.:** **US D829,175 S**

(45) **Date of Patent:** **\*\* Sep. 25, 2018**

(54) **ELECTRICAL CONNECTOR**

(71) Applicant: **Tyco Electronics Japan G.K.**,  
Kanagawa (JP)

(72) Inventors: **Keita Terajima**, Kanagawa-ken (JP);  
**Masaaki Harasawa**, Kanagawa-ken  
(JP)

(73) Assignee: **Tyco Electronics Japan G.K.**,  
Kanagawa (JP)

(\*\*) Term: **15 Years**

(21) Appl. No.: **29/587,801**

(22) Filed: **Dec. 15, 2016**

(30) **Foreign Application Priority Data**

Jun. 17, 2016 (JP) ..... 2016-12941

(51) **LOC (11) Cl.** ..... **13-03**

(52) **U.S. Cl.**  
USPC ..... **D13/133**

(58) **Field of Classification Search**  
USPC ..... D13/101, 110, 118, 120, 123, 133, 134,  
D13/146-149, 152-154, 173, 175, 177,  
D13/178, 184, 199  
CPC ..... H01R 13/00; H01R 13/02; H01R 13/11;  
H01R 13/40; H01R 13/51; H01R 13/533;  
H01R 13/64; H01R 13/65; H01R 13/66;  
H01R 13/74; H01R 24/60  
See application file for complete search history.

(56) **References Cited**

**U.S. PATENT DOCUMENTS**

D498,730 S \* 11/2004 Watanabe ..... D13/133  
D585,024 S \* 1/2009 Kudo ..... D13/133  
D631,015 S \* 1/2011 Iijima ..... D13/147  
D684,118 S \* 6/2013 Yang ..... D13/133  
D689,822 S \* 9/2013 Yang ..... D13/133

D759,594 S \* 6/2016 Kato ..... D13/133  
D774,457 S \* 12/2016 Urano ..... D13/133  
D791,706 S \* 7/2017 Li ..... D13/147  
D792,853 S \* 7/2017 Li ..... D13/147  
D802,538 S \* 11/2017 Li ..... D13/147  
2012/0243831 A1\* 9/2012 Chen ..... G02B 6/3825  
385/55  
2014/0133807 A1\* 5/2014 Katoh ..... G02B 6/3821  
385/78

(Continued)

**FOREIGN PATENT DOCUMENTS**

JP 1260466 D 12/2005  
JP 1528858 D 6/2015

*Primary Examiner* — Thomas J Johannes

*Assistant Examiner* — Shawn T Gingrich

(74) *Attorney, Agent, or Firm* — Barley Snyder

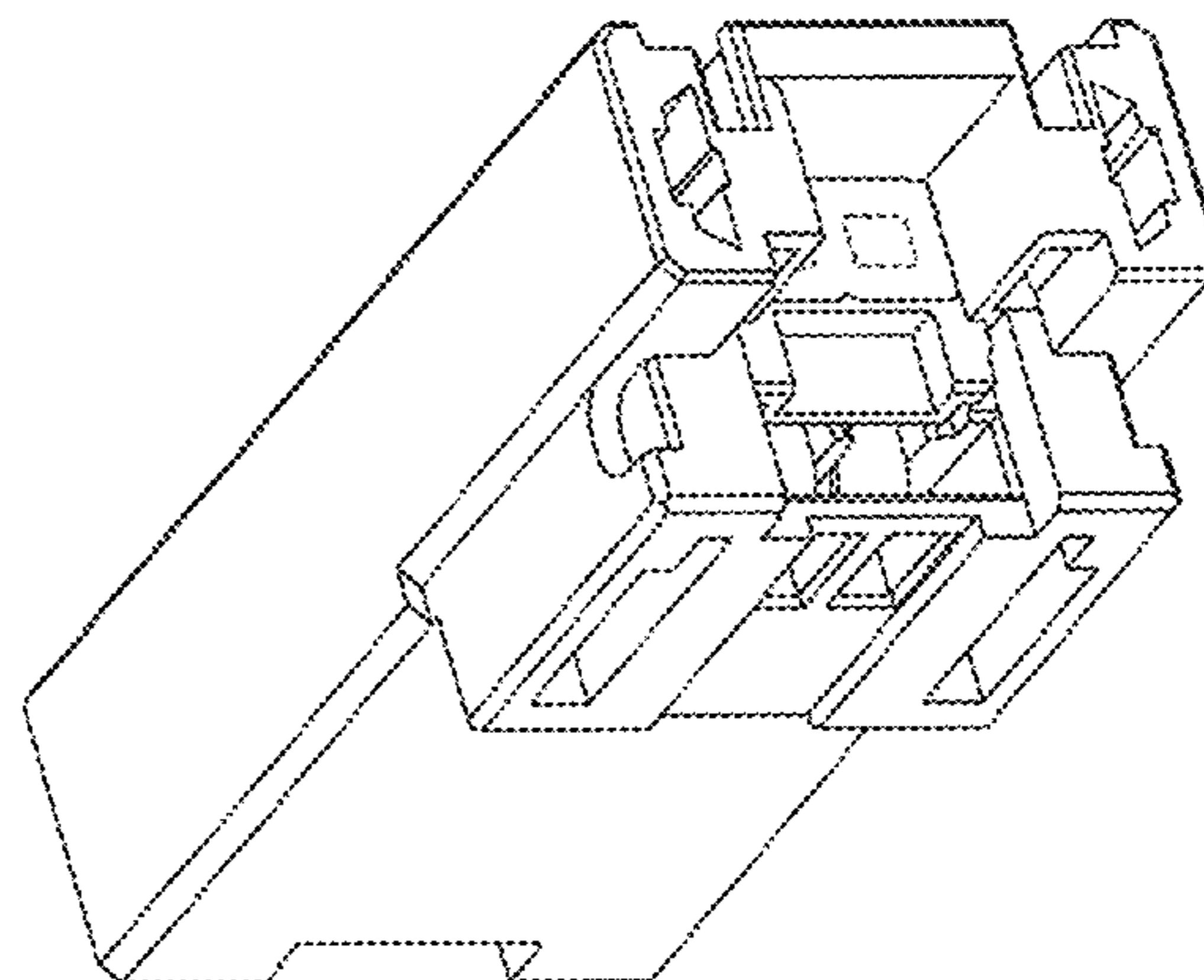
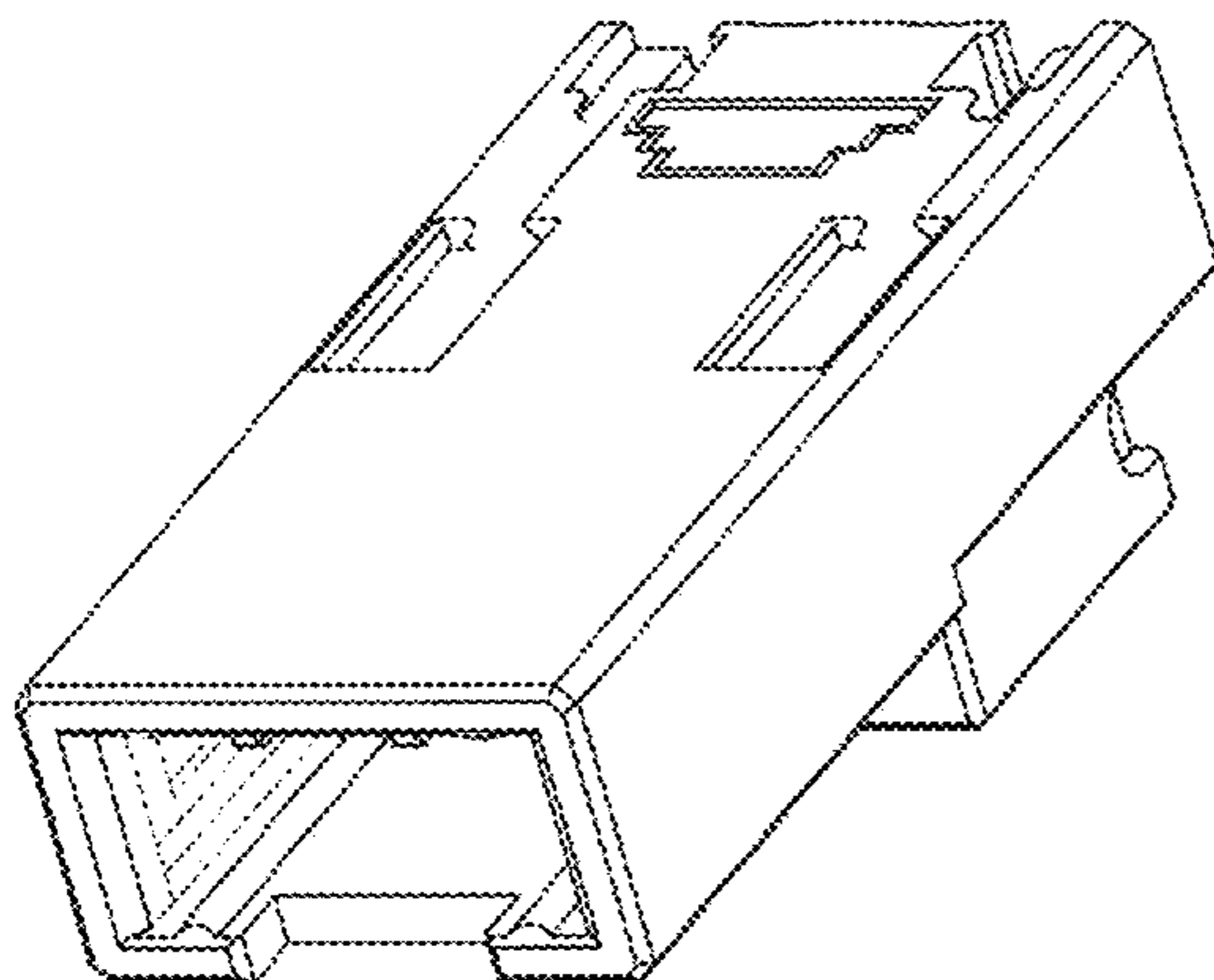
(57) **CLAIM**

The ornamental design for electrical connector, as shown and described.

**DESCRIPTION**

FIG. 1 is a top elevation view of an electrical connector, showing the new design;  
FIG. 2 is a front plan view thereof;  
FIG. 3 is a rear plan view thereof;  
FIG. 4 is a bottom plan view thereof;  
FIG. 5 is a left side elevation view thereof;  
FIG. 6 is a right side elevation view thereof;  
FIG. 7 is a front, top and right side perspective view thereof;  
FIG. 8 is a rear, top and left side perspective view thereof;  
FIG. 9 is a front, bottom and left side perspective view thereof; and,  
FIG. 10 is a rear, bottom and right side perspective view.  
The broken lines shown in the drawings are included for the purpose of illustrating environmental structure and form no part of the claimed design.

**1 Claim, 10 Drawing Sheets**



(56)

**References Cited**

U.S. PATENT DOCUMENTS

2015/0318643 A1\* 11/2015 Lane ..... H01R 13/6594  
439/607.35  
2017/0018881 A1\* 1/2017 Patel ..... H01R 13/6471

\* cited by examiner

Fig. 1

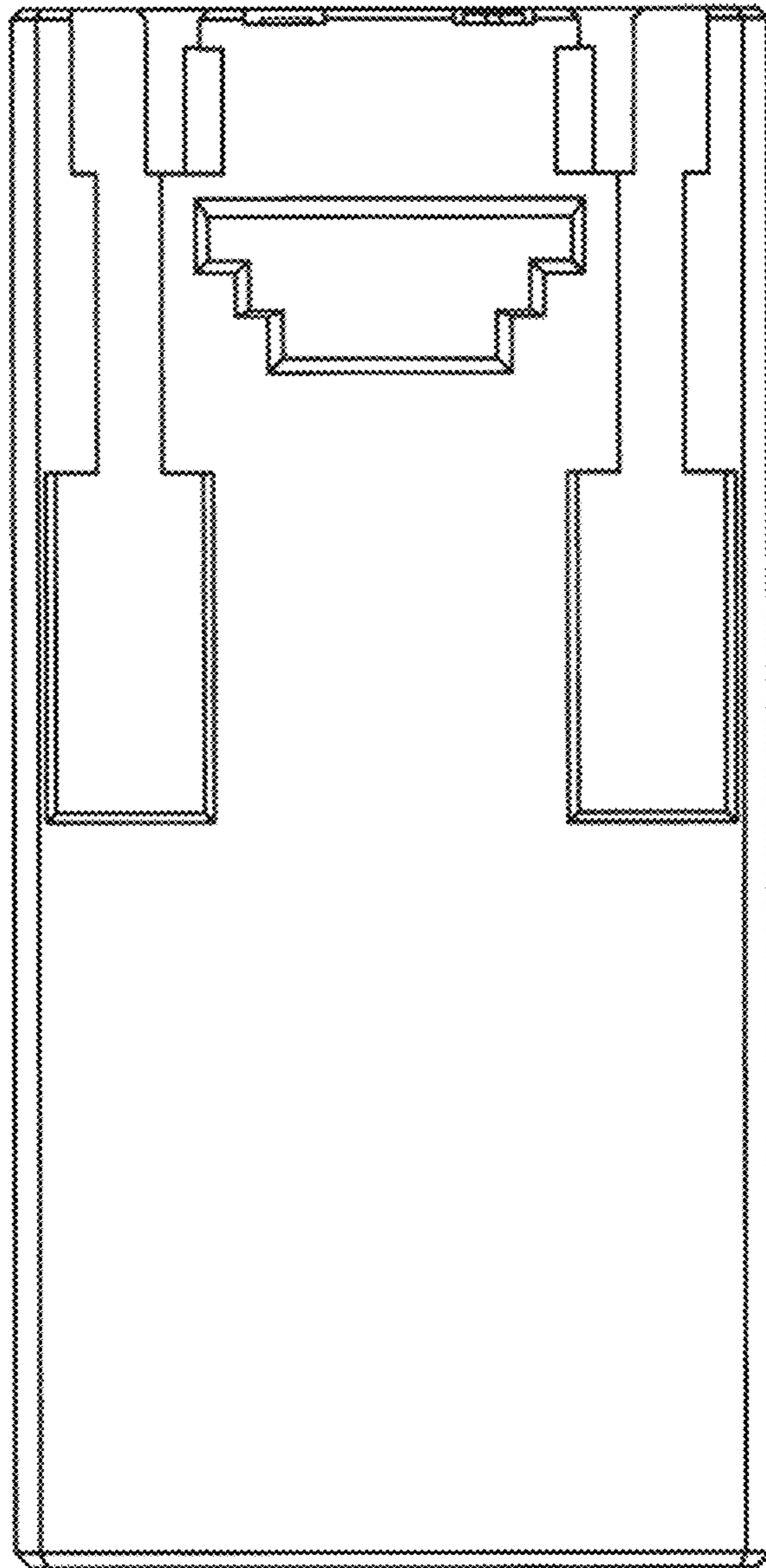


Fig. 2

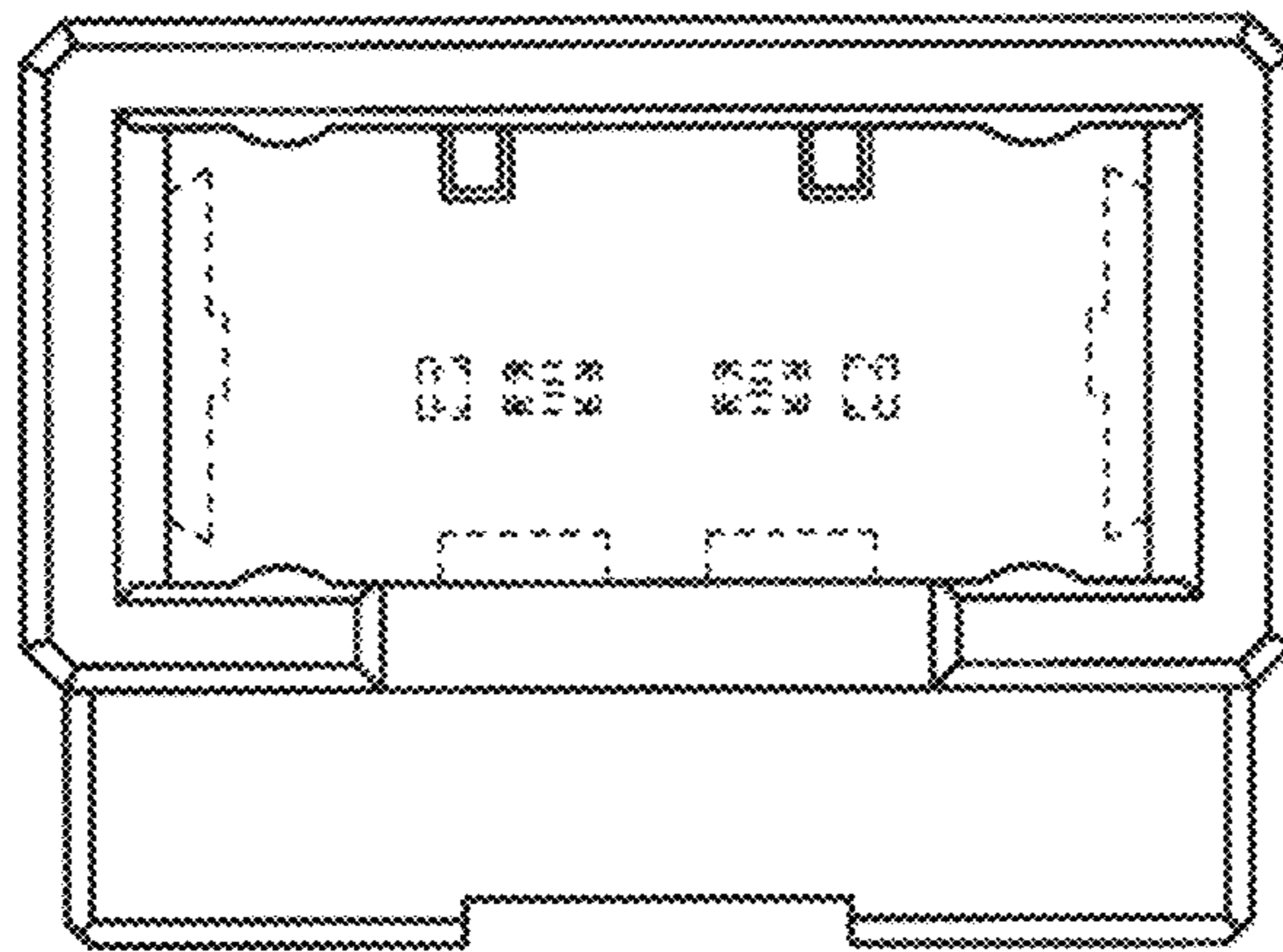


Fig. 3

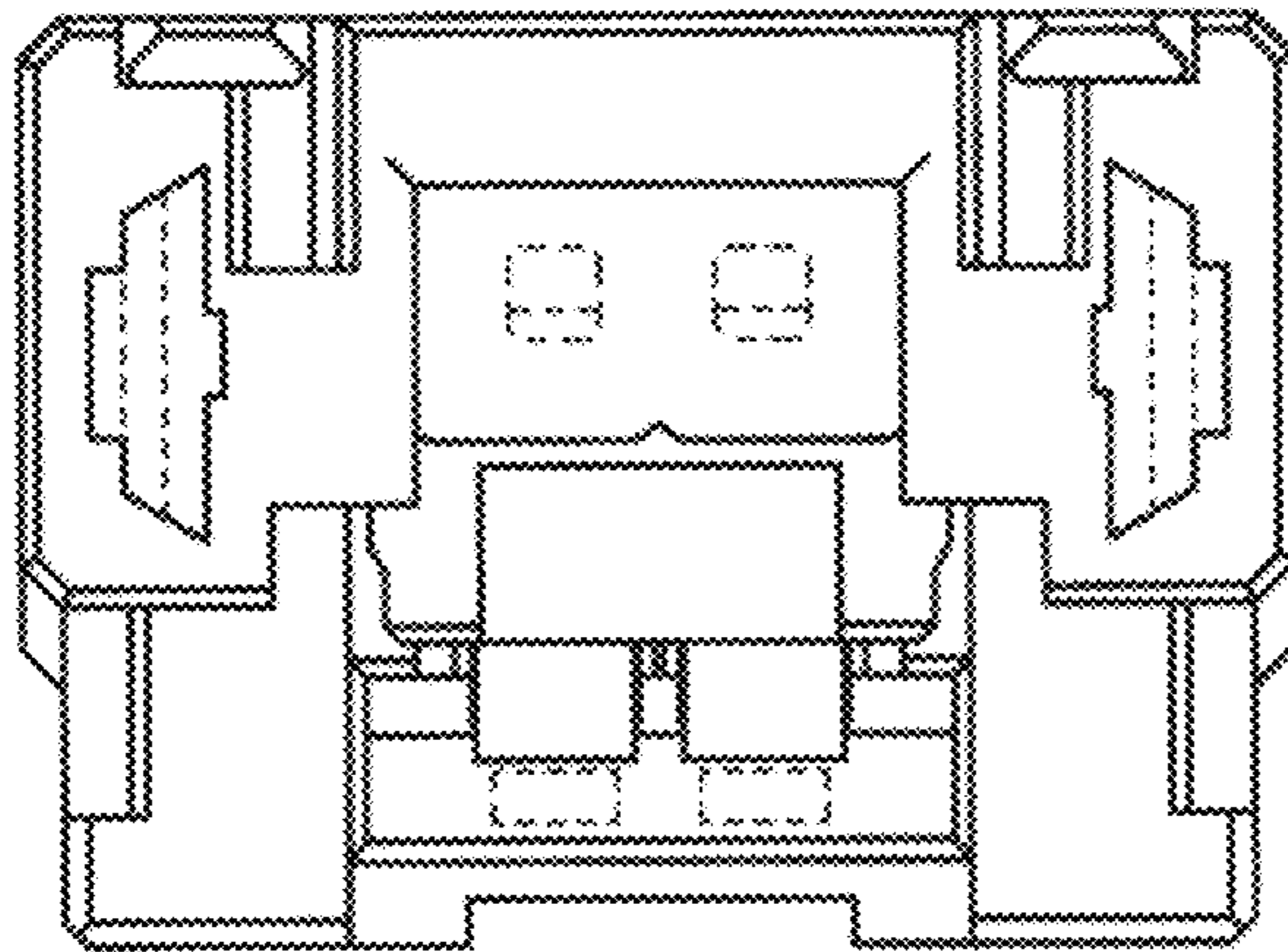


Fig. 4

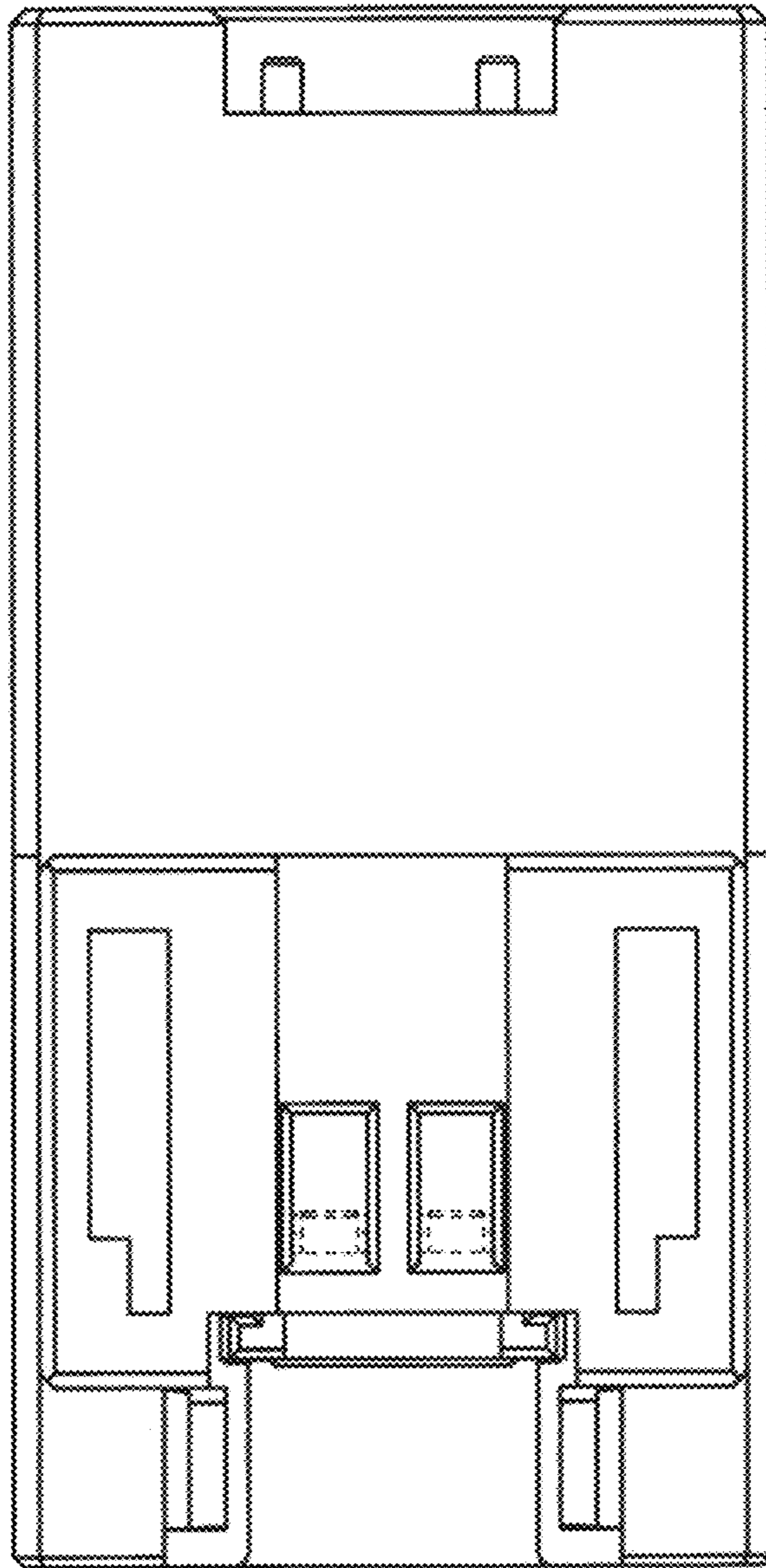


Fig. 5

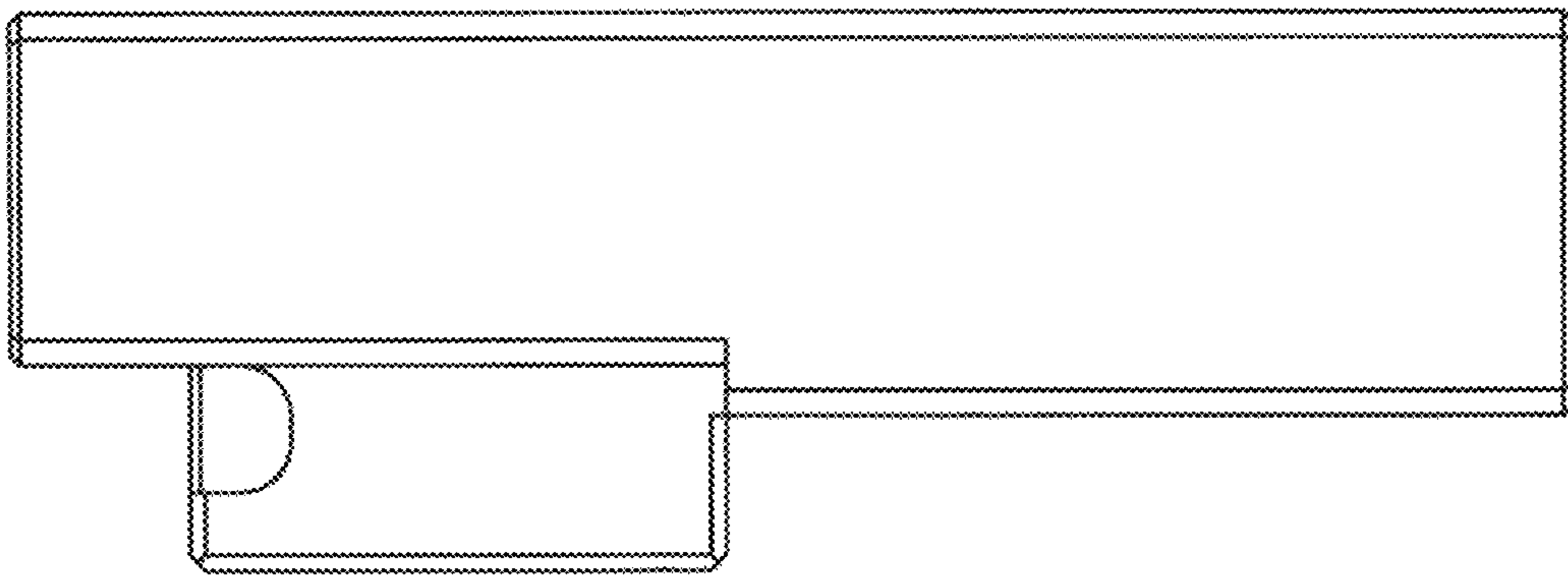


Fig. 6

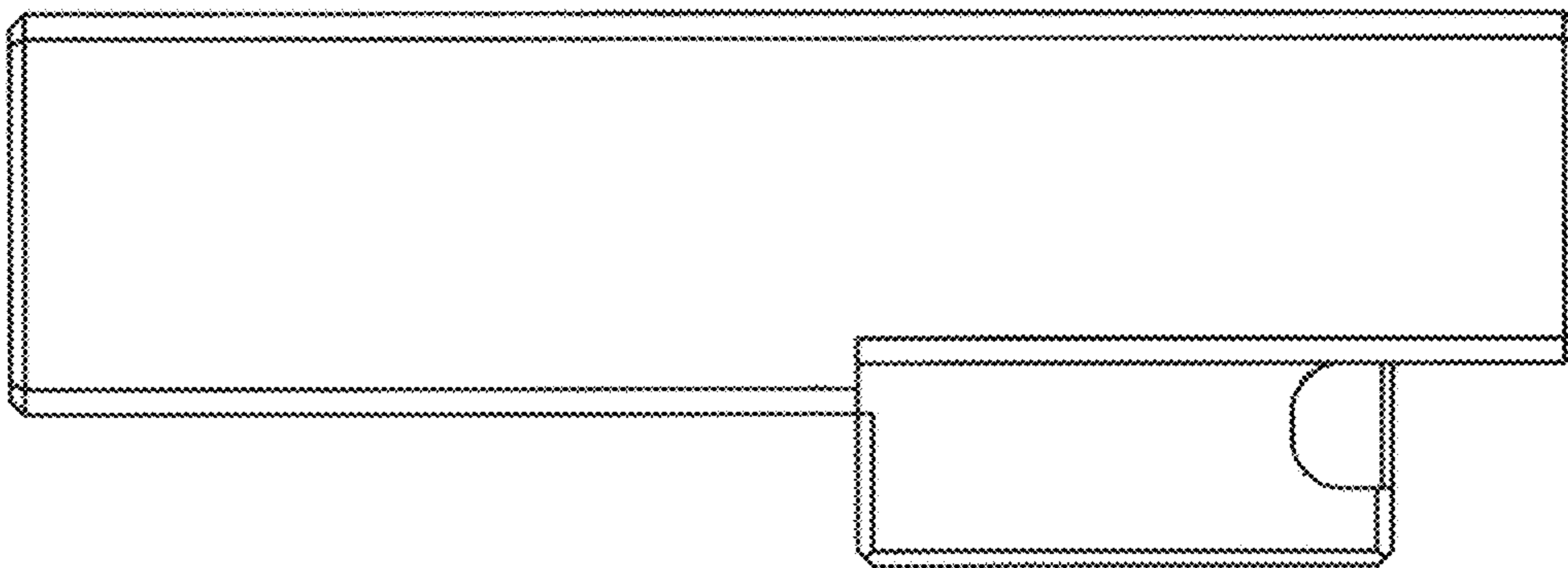




Fig. 7

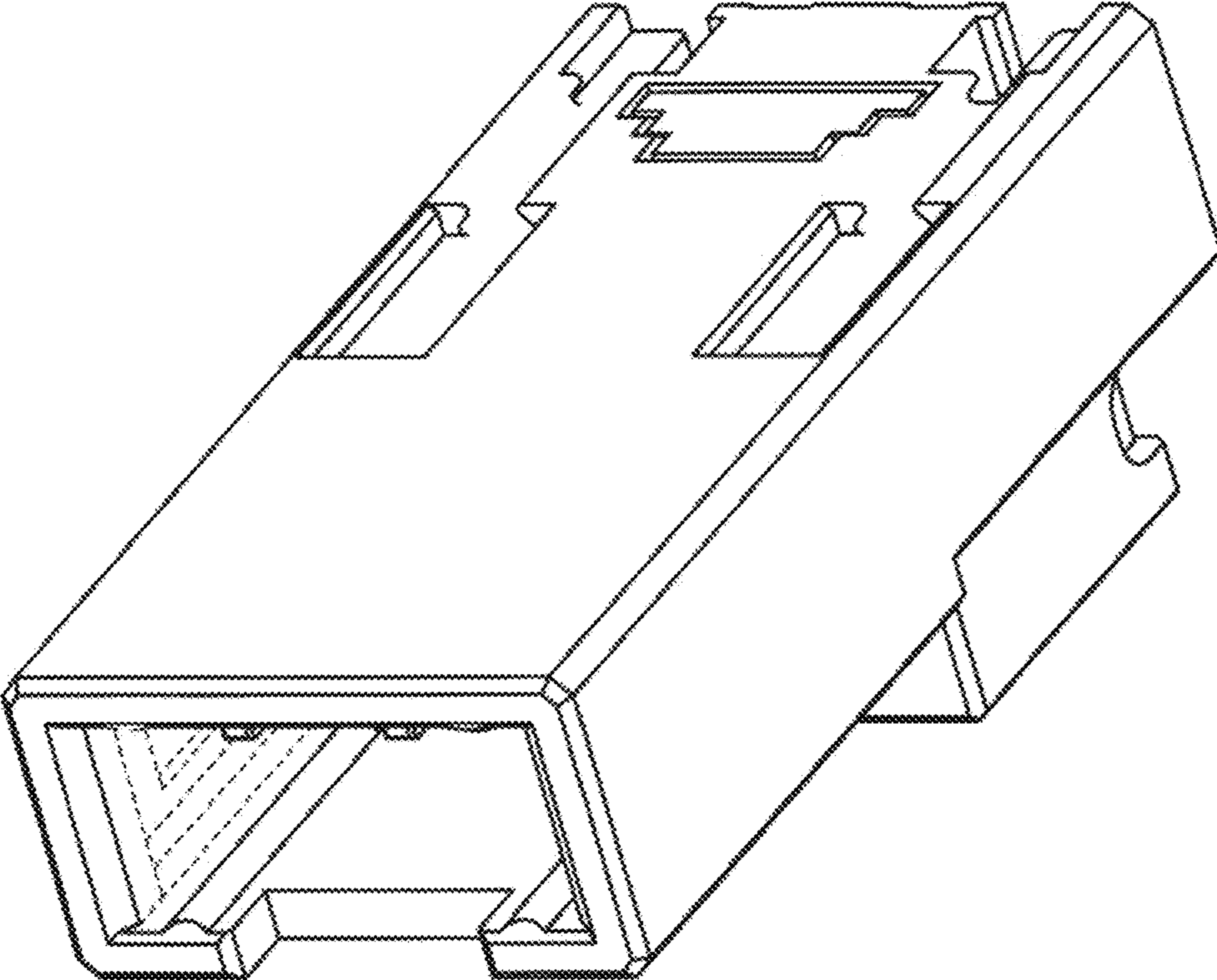


Fig. 8

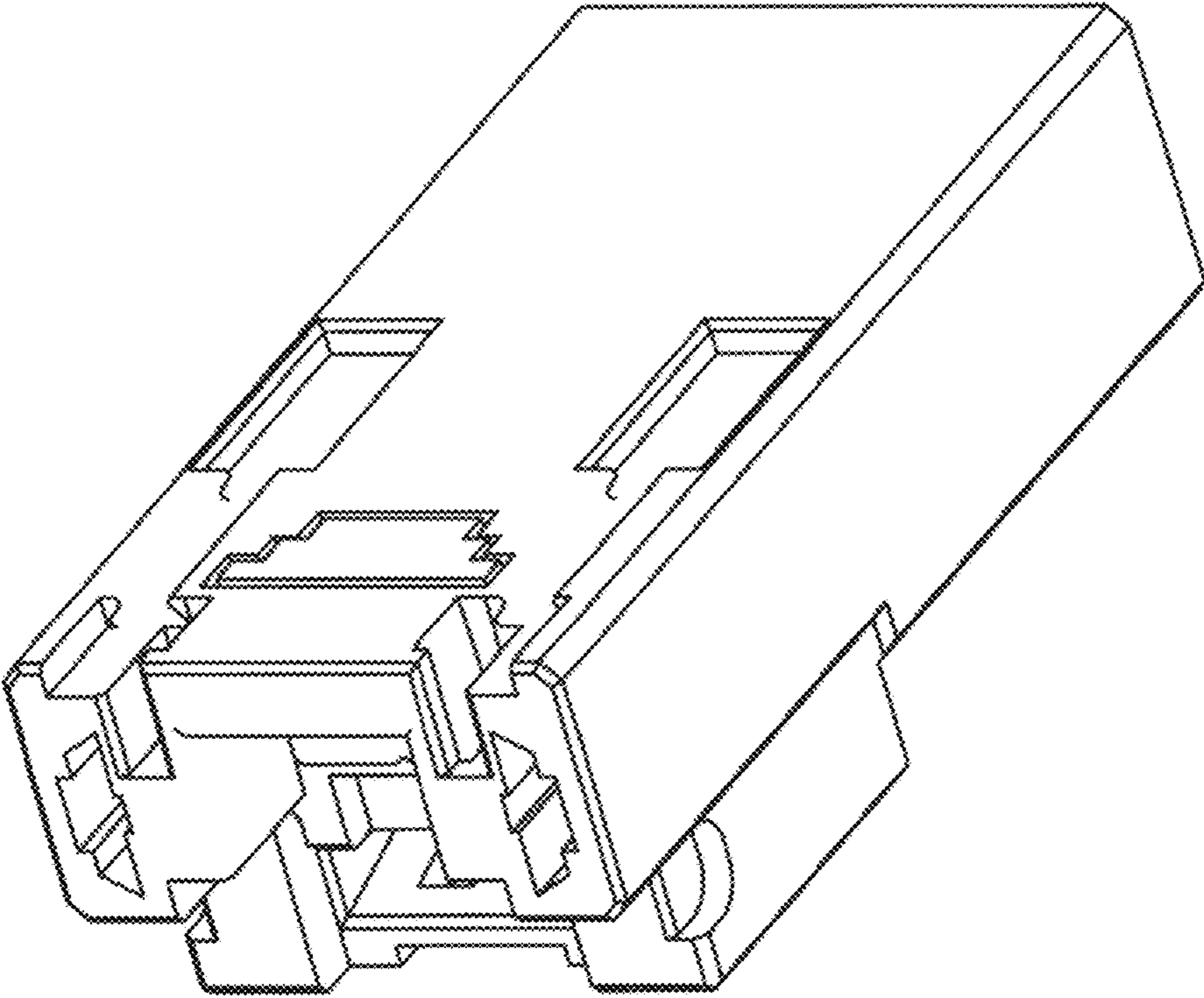


Fig. 9

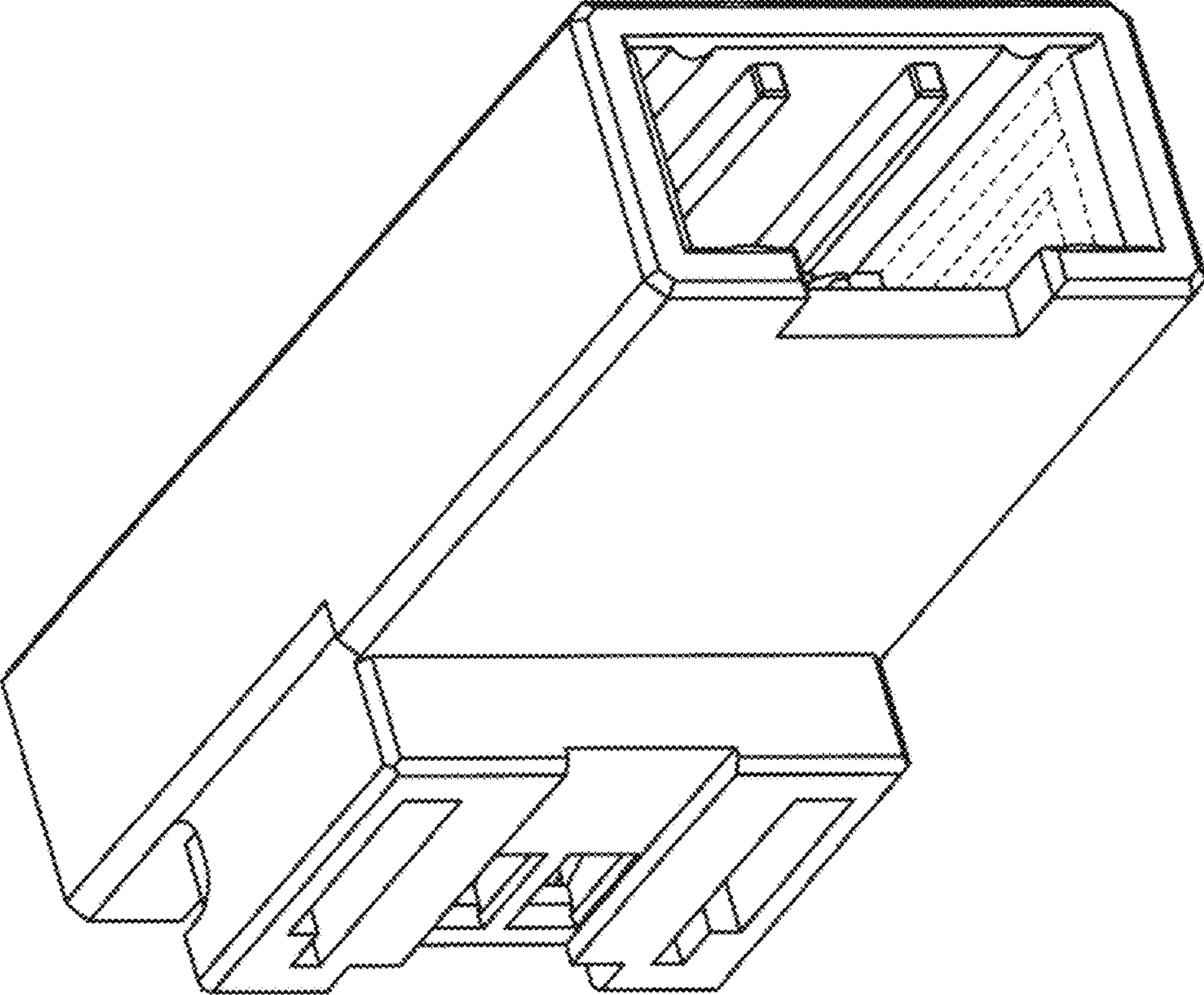


Fig. 10

