



US00D829174S

(12) **United States Design Patent**
O'Brien

(10) **Patent No.:** **US D829,174 S**

(45) **Date of Patent:** **** Sep. 25, 2018**

(54) **MOUNTABLE ELECTRONICS HOUSING**

(71) Applicant: **TSI Products, Inc.**, Arlington, TX (US)

(72) Inventor: **Stephen William O'Brien**, Fort Worth, TX (US)

(73) Assignee: **TSI Products, Inc.**, Arlington, TX (US)

(**) Term: **15 Years**

(21) Appl. No.: **29/585,861**

(22) Filed: **Nov. 29, 2016**

(51) **LOC (11) Cl.** **13-03**

(52) **U.S. Cl.**
USPC **D13/133**

(58) **Field of Classification Search**
USPC D13/133, 146, 147, 154, 184, 199
CPC H05K 5/02; H05K 7/14; H01R 13/506;
H01R 13/516; H01R 13/518; H01R 13/627;
H01R 13/6315; H01R 13/6453; H01R 13/6586;
H01R 13/6597; H01R 13/58; H01R 13/5845; H01R 13/02;
H01R 13/03; H01R 13/405; H01R 13/648; H01R 12/57;
H01R 13/6585; H01R 24/60; H01R 2107/00; B29C 70/84;
B29C 70/88; B29C 70/885

See application file for complete search history.

(56) **References Cited**

U.S. PATENT DOCUMENTS

D618,623 S * 6/2010 Peng D13/147
8,164,911 B2 * 4/2012 Hassler H04B 1/082
174/392

D783,533 S * 4/2017 Tress D13/133
D789,302 S * 6/2017 Hsu D13/147
D791,079 S * 7/2017 Todovertto D13/133
9,831,615 B2 * 11/2017 Saito H01R 13/6596

* cited by examiner

Primary Examiner — Daniel Bui

(74) *Attorney, Agent, or Firm* — Hitchcock Evert LLP

(57) **CLAIM**

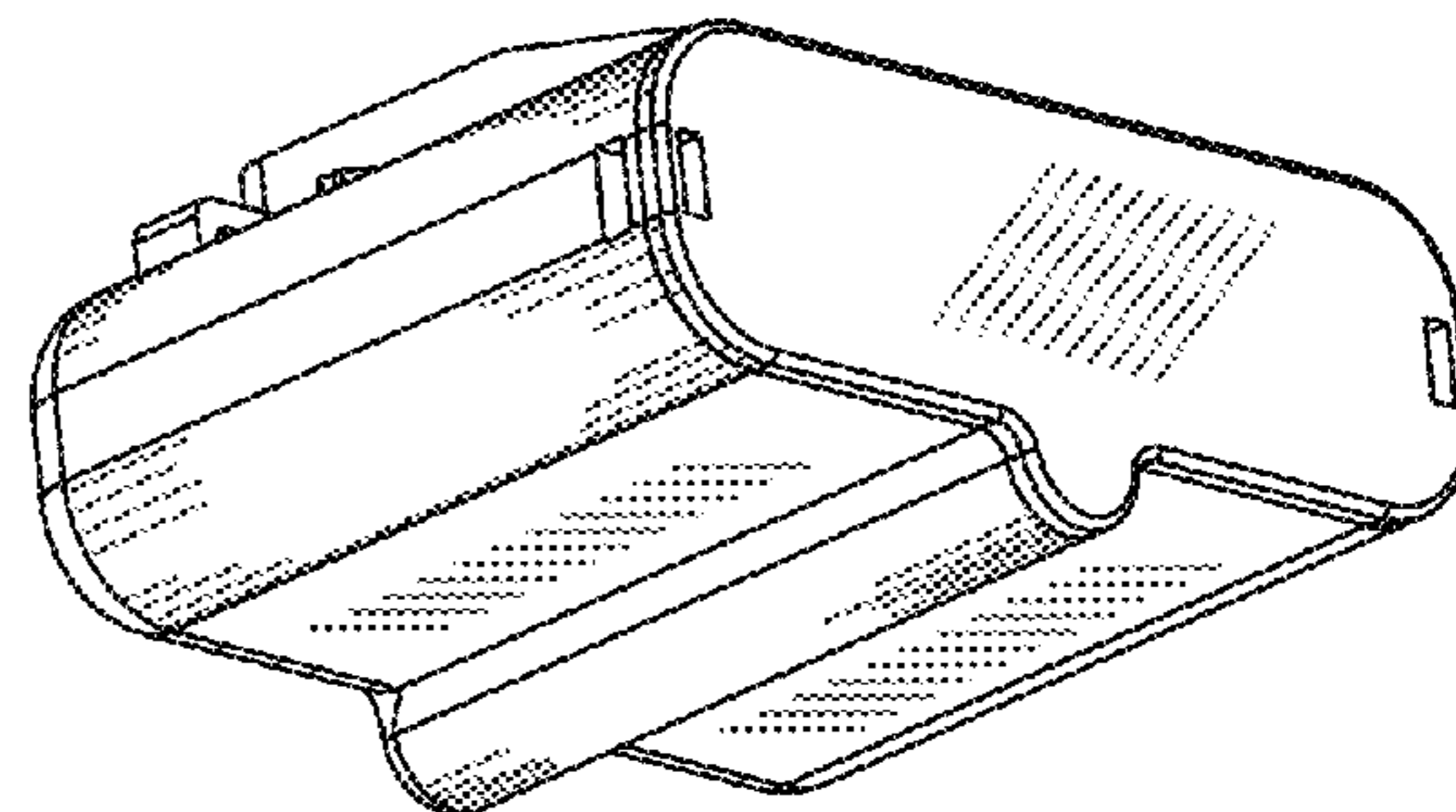
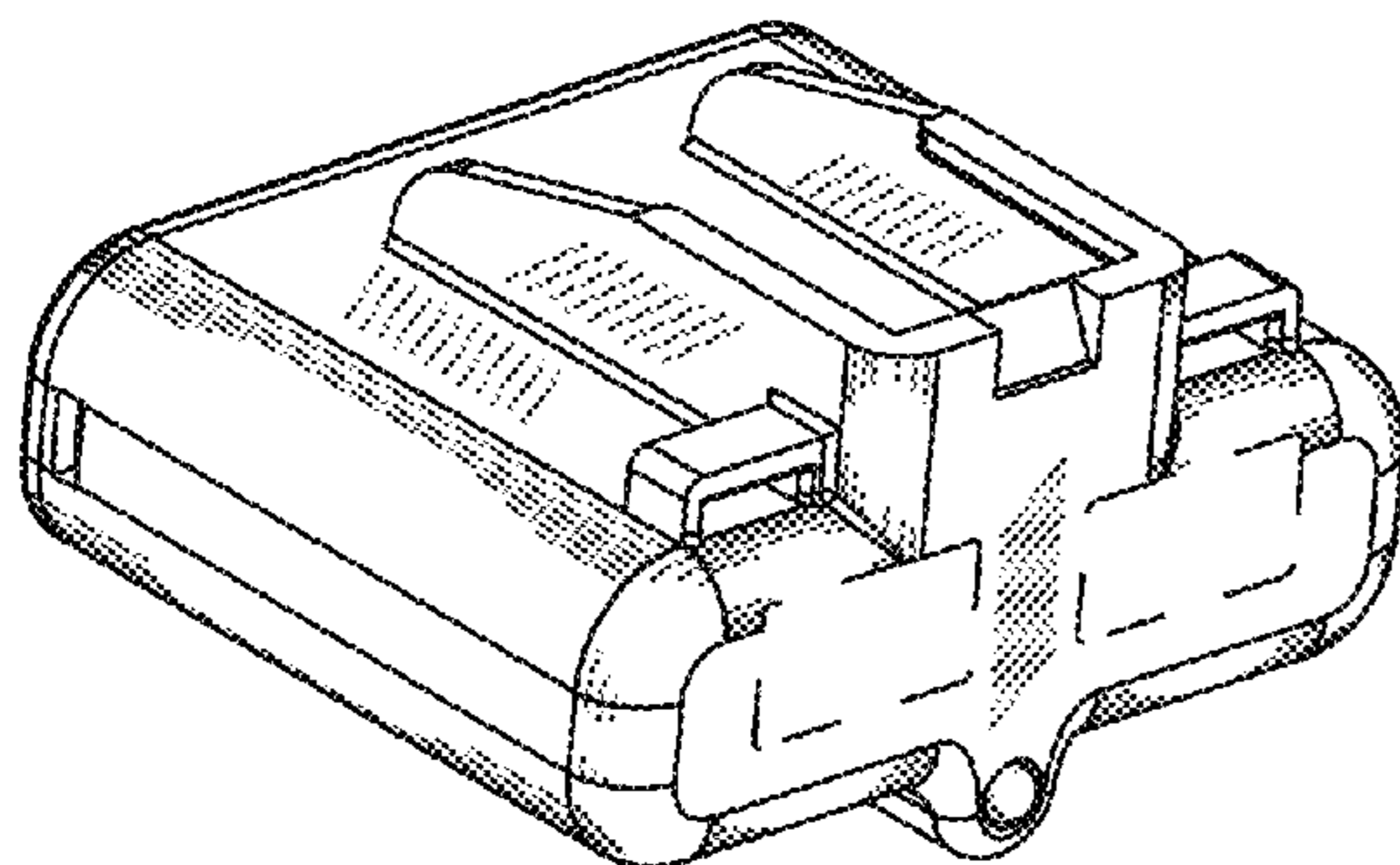
The ornamental design for a mountable electronics housing, as shown and described.

DESCRIPTION

FIG. 1 is a front, top and left side perspective view of a mountable electronics housing showing my new design; FIG. 2 is a back, bottom and right side perspective view thereof; FIG. 3 is a front elevation view thereof; FIG. 4 is a right side elevation view thereof; FIG. 5 is a back elevation view thereof; FIG. 6 is a left side elevation view thereof; FIG. 7 is a top plan view thereof; and, FIG. 8 is a bottom plan view thereof.

The features shown in broken lines are for the purpose of illustrating portions of the article that form no part of the claimed design.

1 Claim, 4 Drawing Sheets



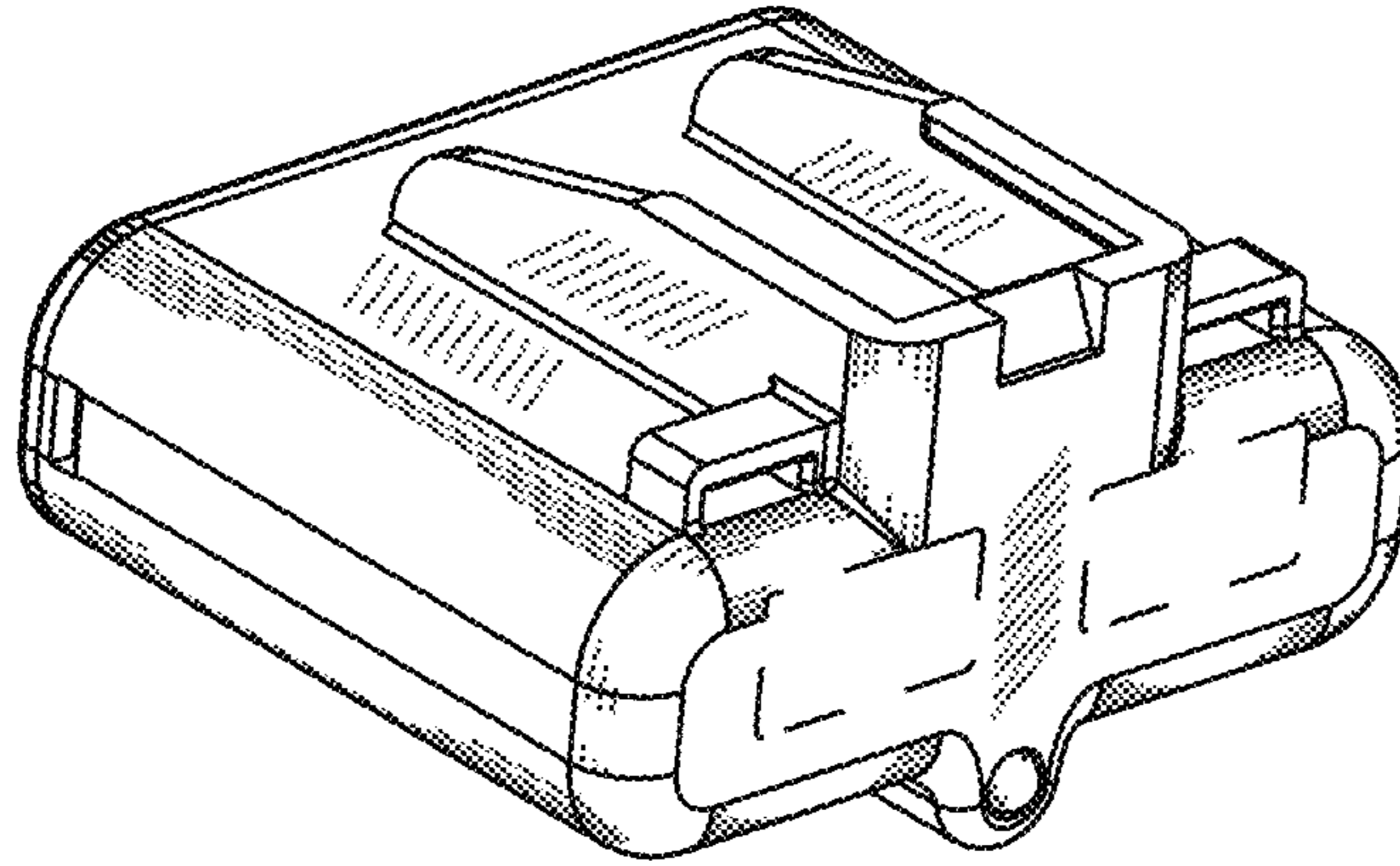


FIG. 1

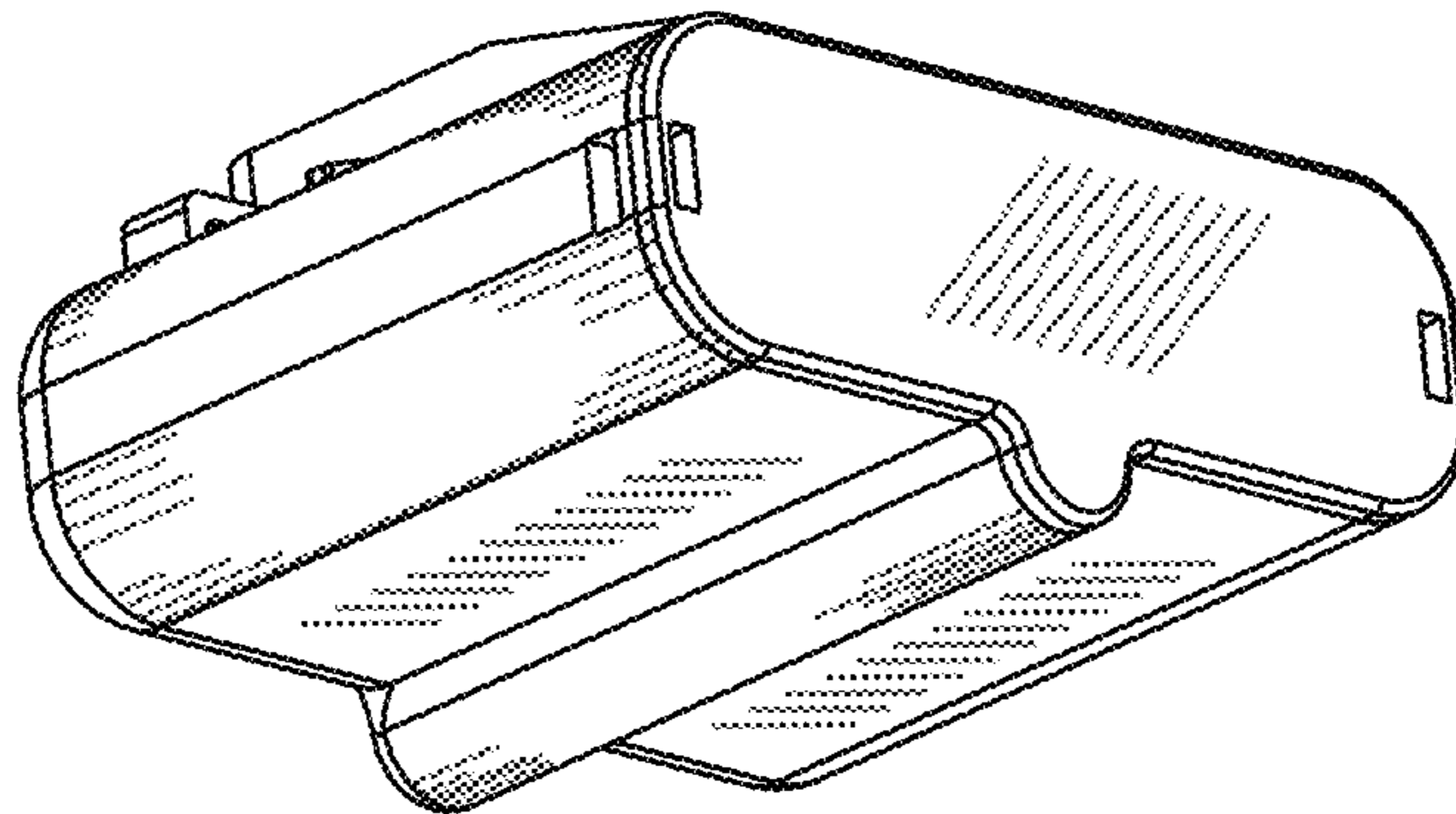


FIG. 2

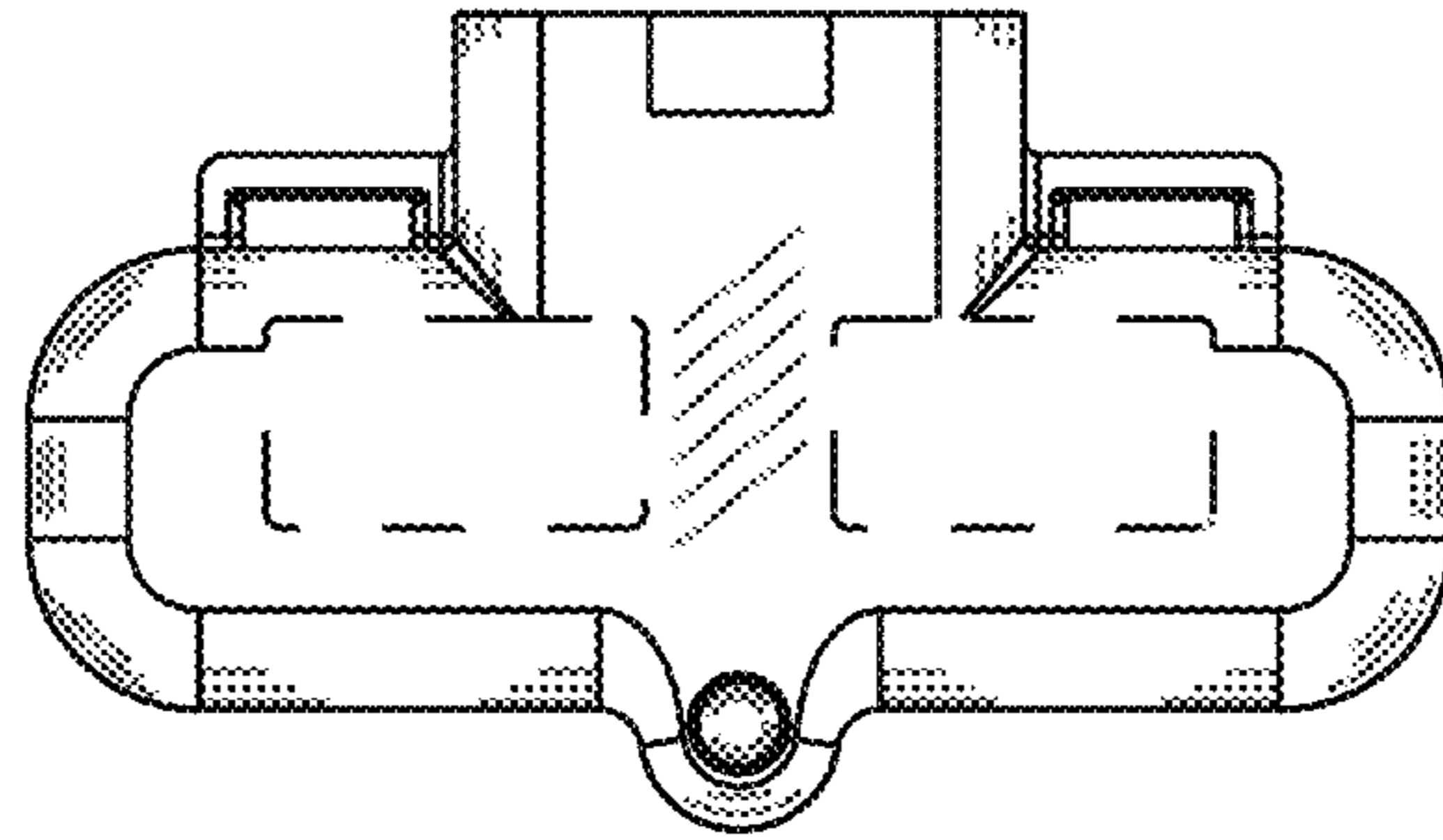


FIG. 3

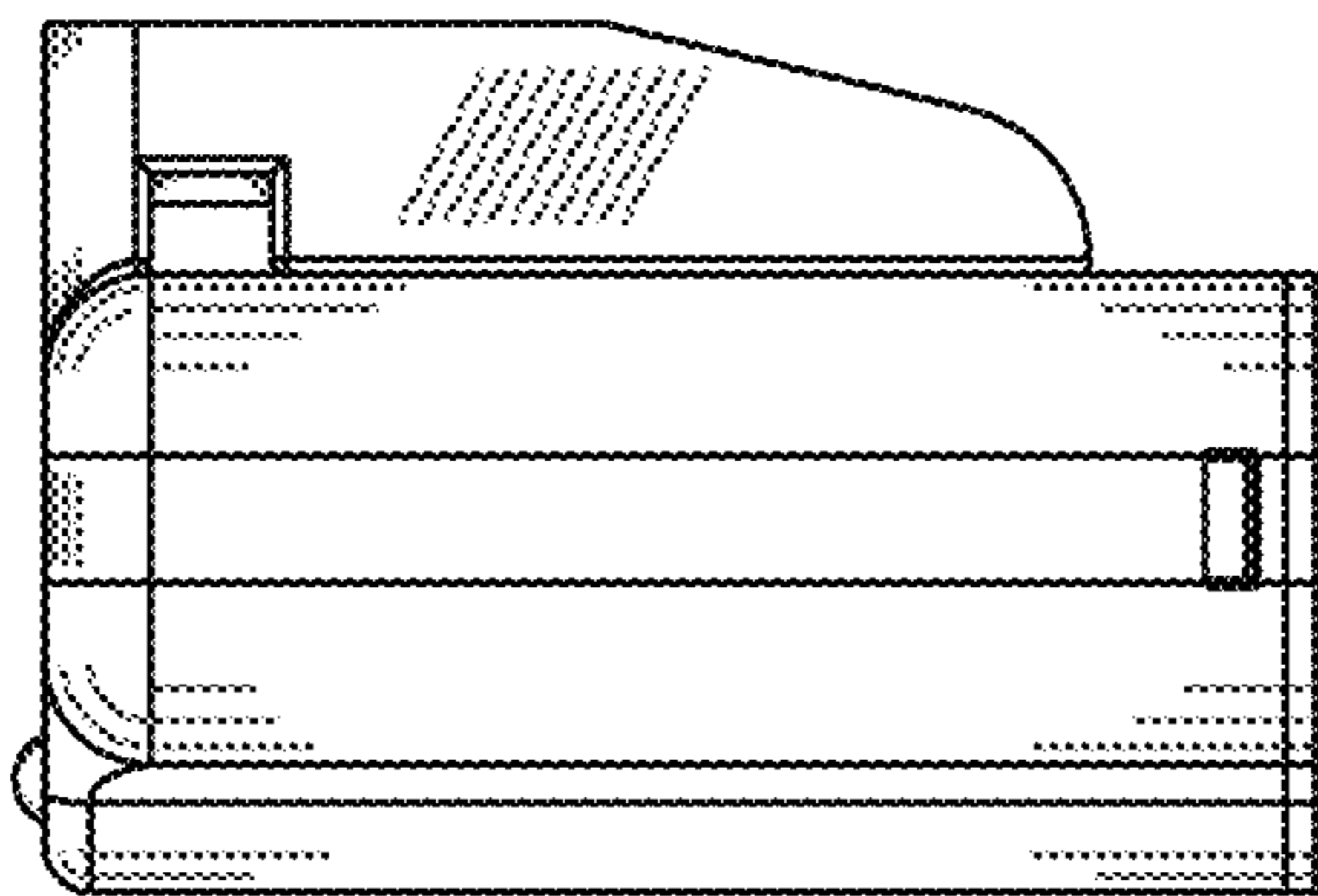


FIG. 4

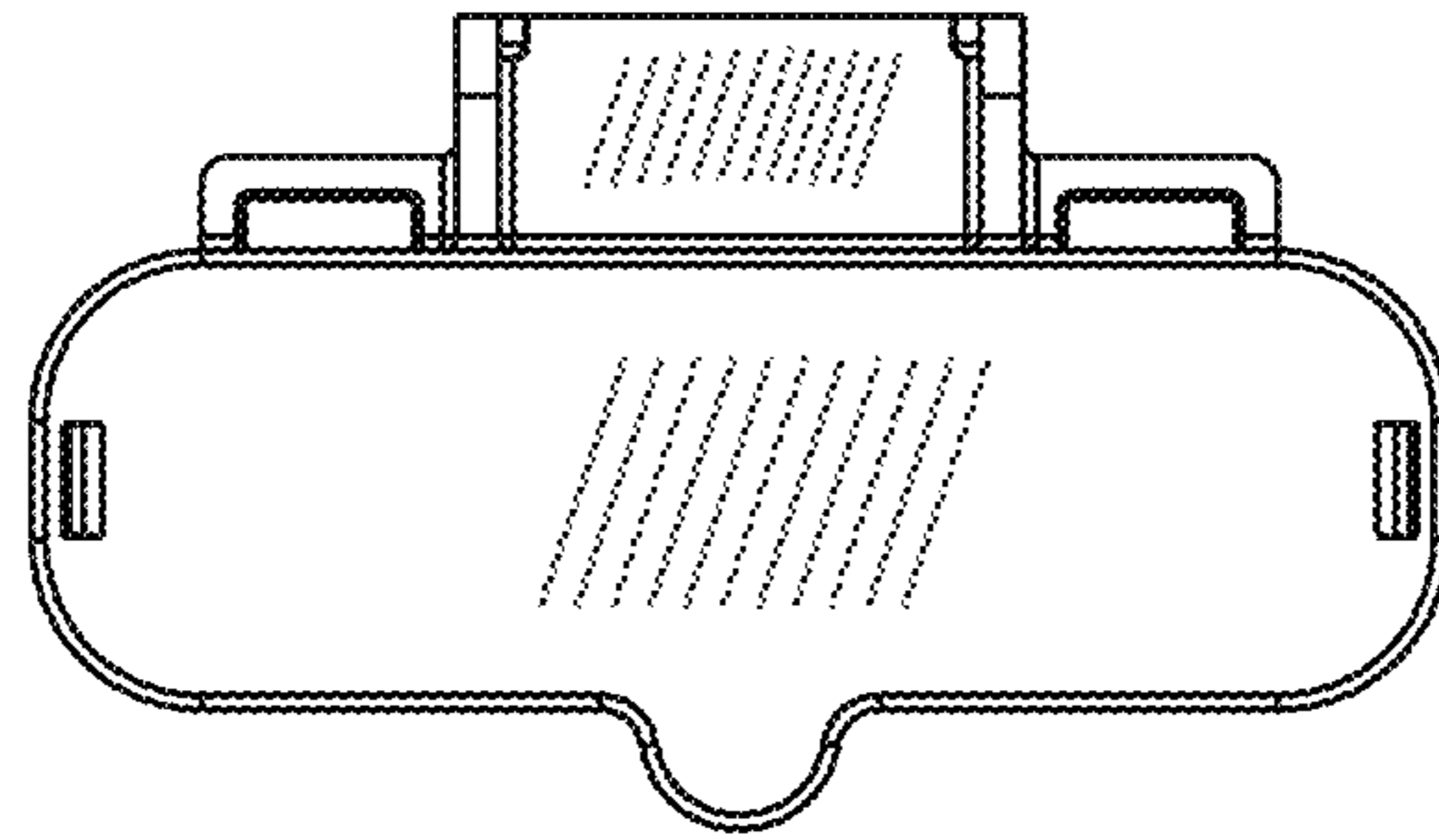


FIG. 5

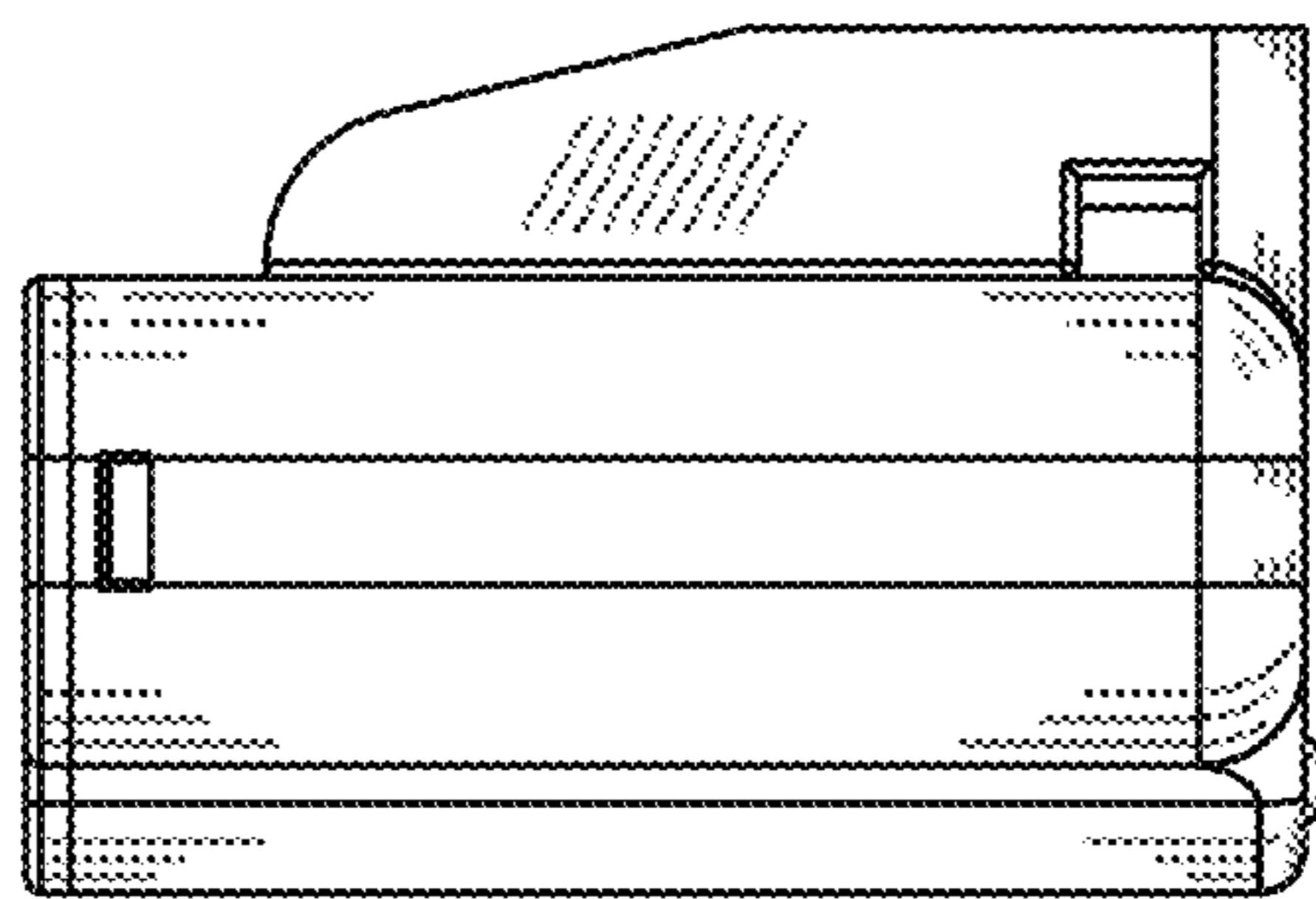


FIG. 6

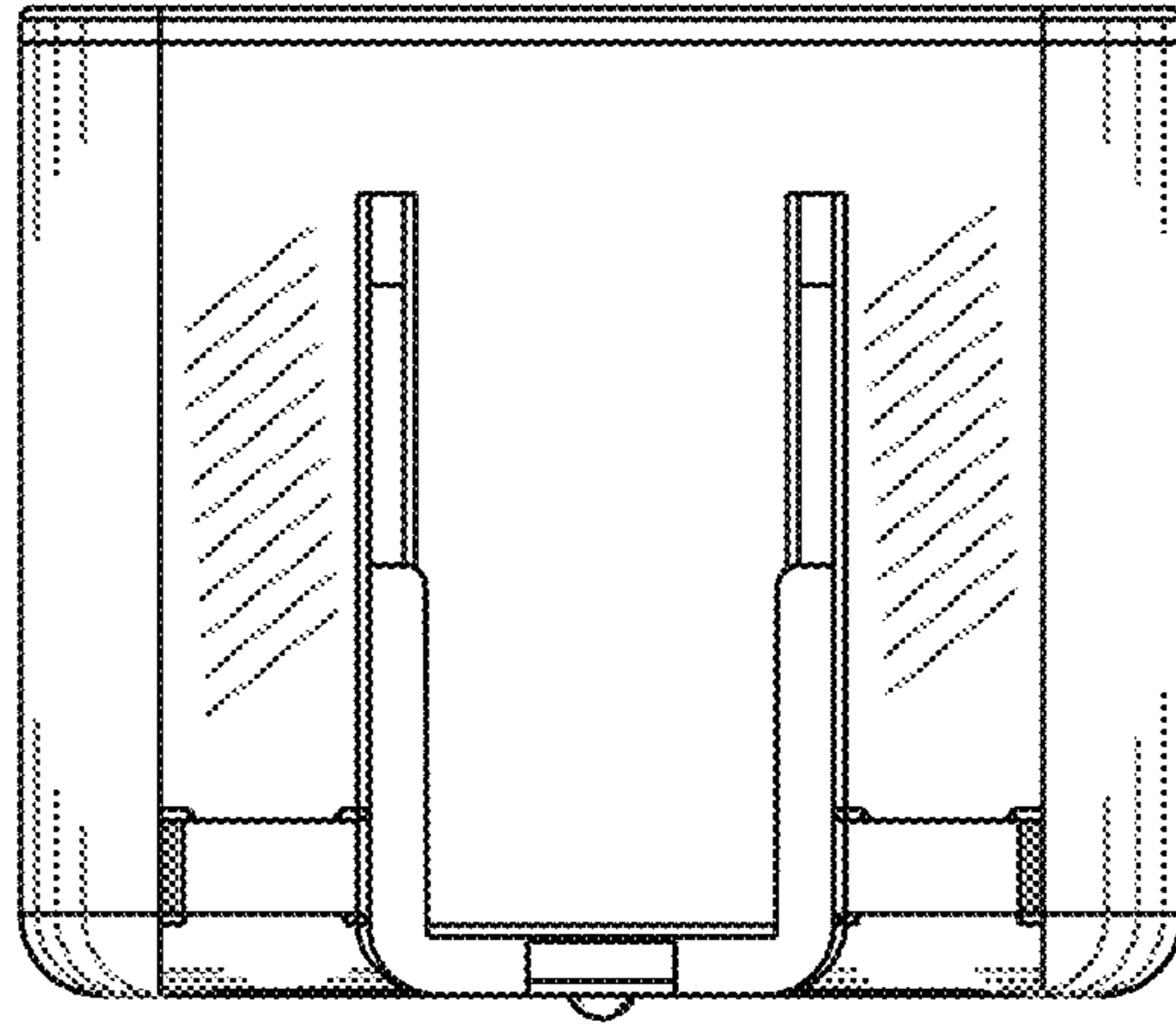


FIG. 7

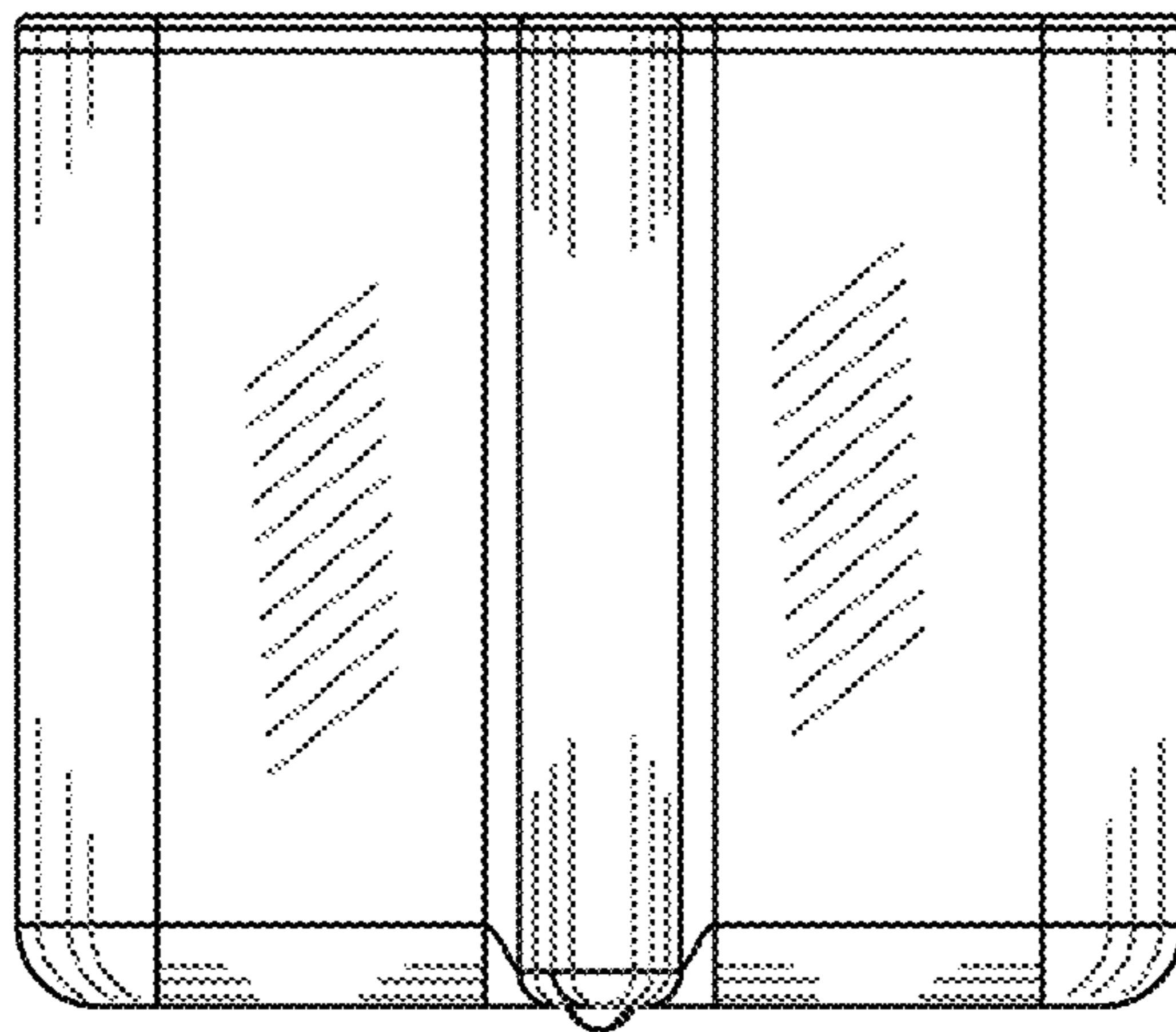


FIG. 8