



US00D829171S

(12) **United States Design Patent** (10) **Patent No.:** **US D829,171 S**  
**Niznicenko et al.** (45) **Date of Patent:** **\*\* Sep. 25, 2018**

(54) **ELECTRIC MOTOR**  
(71) Applicant: **SEW-EURODRIVE GmbH & Co KG, Bruchsal (DE)**  
(72) Inventors: **Danil Niznicenko, Eggenstein-Leopoldshafen (DE); Andreas Zieger, Waghäusel (DE)**

D608,279 S \* 1/2010 Lannoch ..... D13/112  
D608,280 S \* 1/2010 Lannoch ..... D13/112  
D614,568 S \* 4/2010 Lannoch ..... D13/112  
D627,295 S \* 11/2010 Lannoch ..... D13/112  
8,421,273 B2 \* 4/2013 Schmidt ..... H01F 38/14  
307/104  
2009/0102284 A1 \* 4/2009 Schmidt ..... H02J 5/005  
307/17

(73) Assignee: **SEW-EURODRIVE GmbH & Co KG, Bruchsal (DE)**  
(\*\*) Term: **15 Years**

(21) Appl. No.: **29/599,763**  
(22) Filed: **Apr. 6, 2017**

(30) **Foreign Application Priority Data**  
Oct. 18, 2016 (DE) ..... 40 2016 203 707  
(51) **LOC (11) Cl.** ..... **13-01**  
(52) **U.S. Cl.**  
USPC ..... **D13/112**  
(58) **Field of Classification Search**  
USPC ..... D13/112-114, 122, 123, 199; D15/1-5,  
D15/148, 149, 199; D23/314  
CPC ..... B60K 7/0007; B60K 200/0092; B60L  
15/2009; Y02T 10/72; Y02T 10/7275  
See application file for complete search history.

(56) **References Cited**  
**U.S. PATENT DOCUMENTS**  
D466,132 S \* 11/2002 Ricci ..... D15/1  
D593,942 S \* 6/2009 Lannoch ..... D13/112

**OTHER PUBLICATIONS**

SEW Eurodrive, posted on clwtr.com, no posted date given, no production dates given, [online], [site visited Feb. 23, 2018], Available from Internet, URL: <http://www.clwtr.com/SEW-Eurodrive-F-Series-garmotors.htm> (Year: 2018).\*

\* cited by examiner

*Primary Examiner* — Garth Rademaker  
*Assistant Examiner* — Fritzgerald L Butac  
(74) *Attorney, Agent, or Firm* — Finnegan, Henderson, Farabow, Garrett & Dunner, LLP

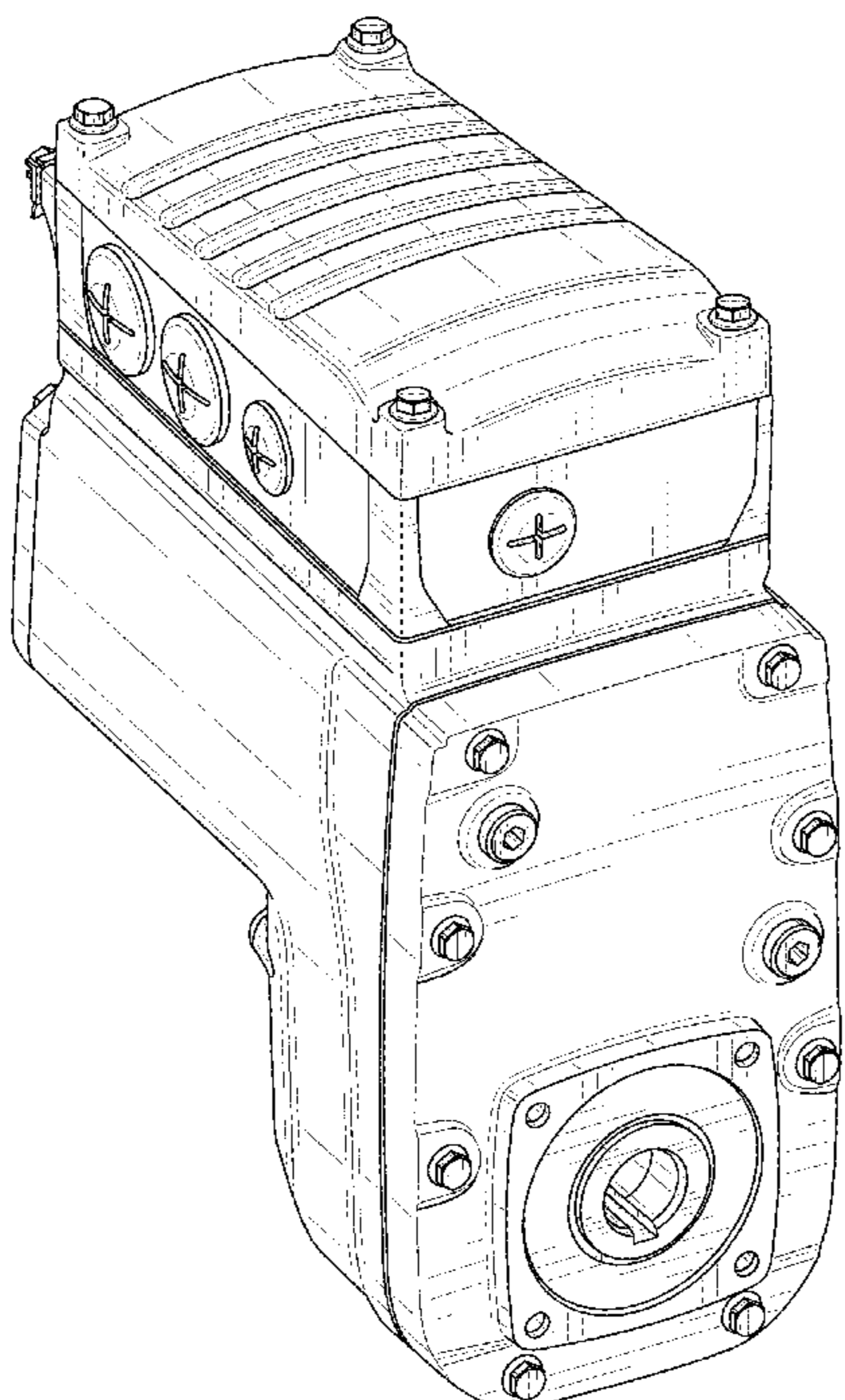
(57) **CLAIM**

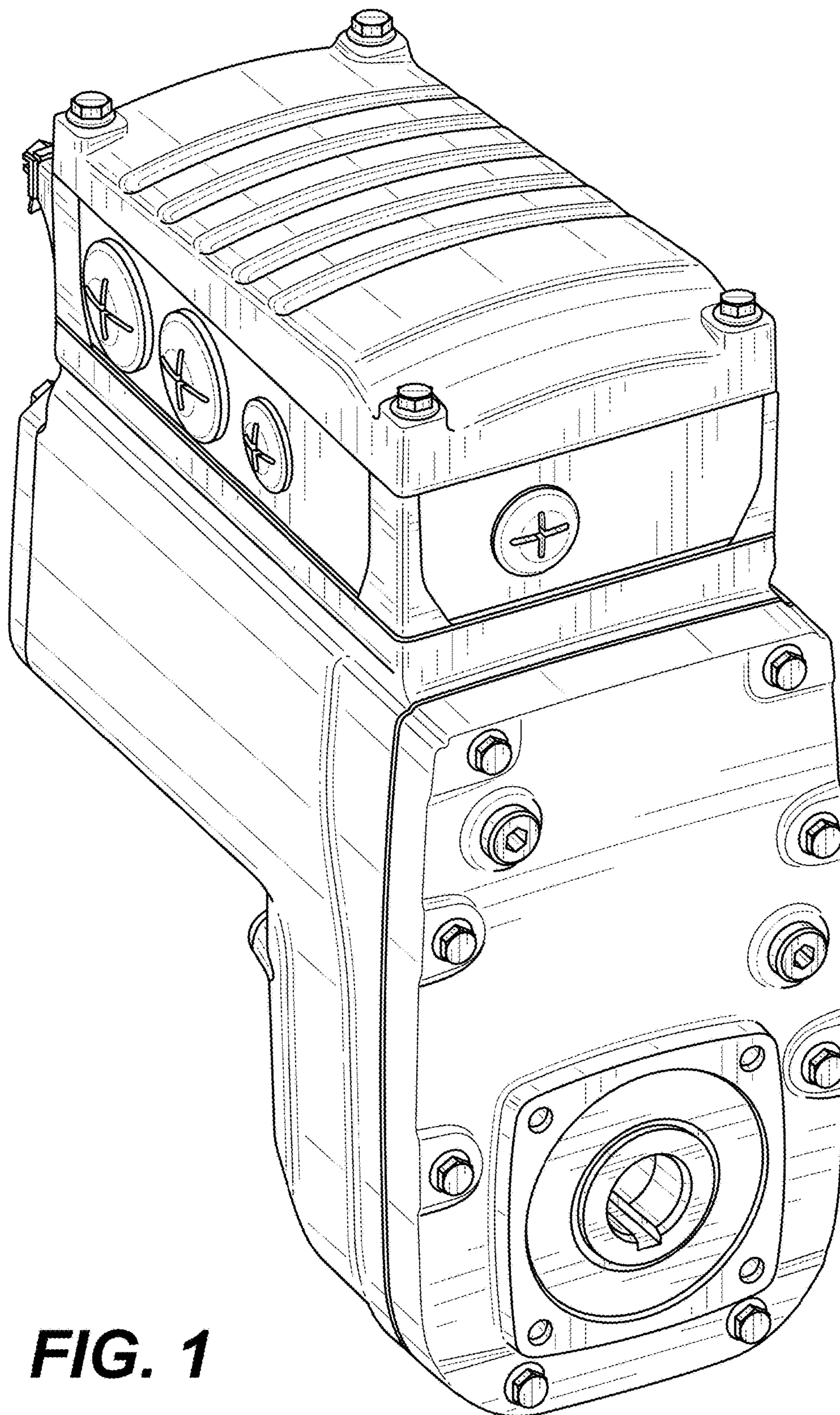
The ornamental design for an electric motor, as shown and described.

**DESCRIPTION**

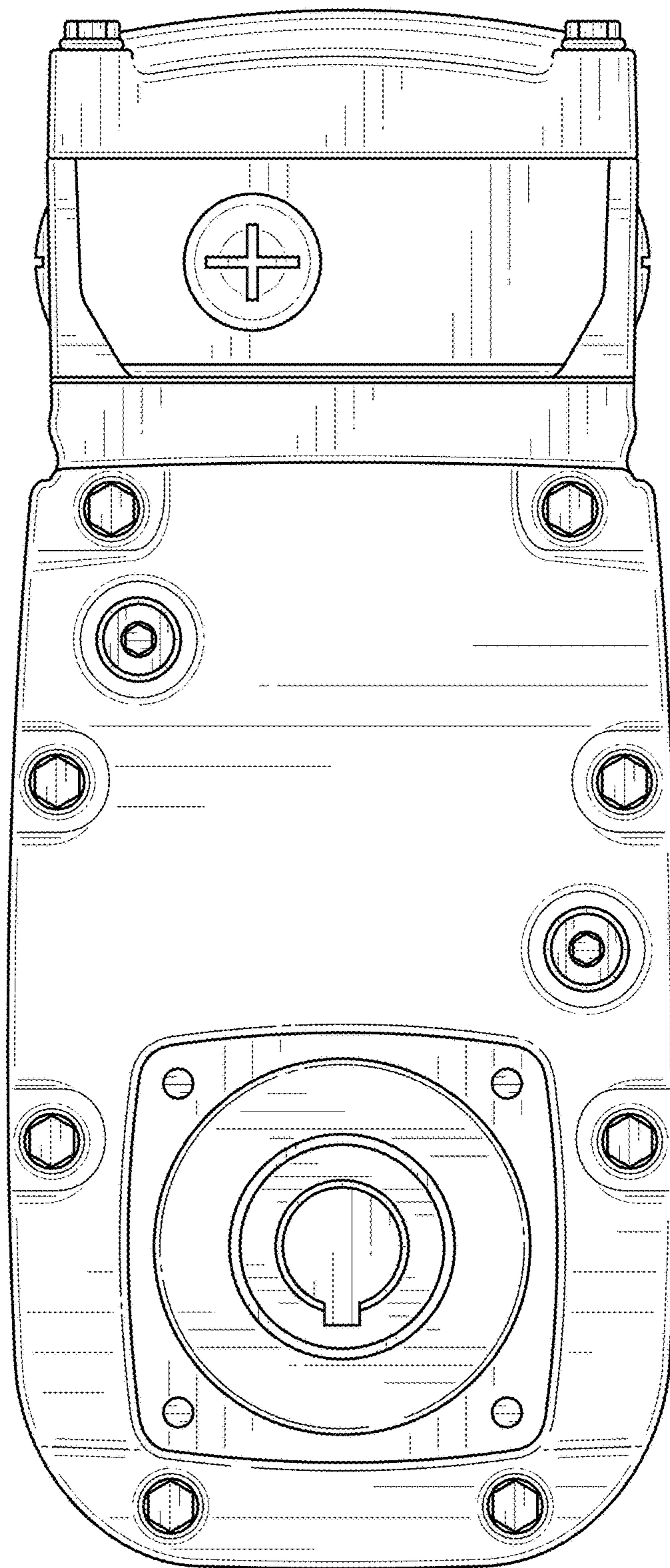
FIG. 1 is a top, front, left perspective view of an electric motor, showing our new design;  
FIG. 2 is a front elevation view thereof;  
FIG. 3 is a rear elevation view thereof;  
FIG. 4 is a right side elevation view thereof;  
FIG. 5 is a left side elevation view thereof;  
FIG. 6 is a top plan view thereof; and,  
FIG. 7 is a bottom plan view thereof.

**1 Claim, 7 Drawing Sheets**

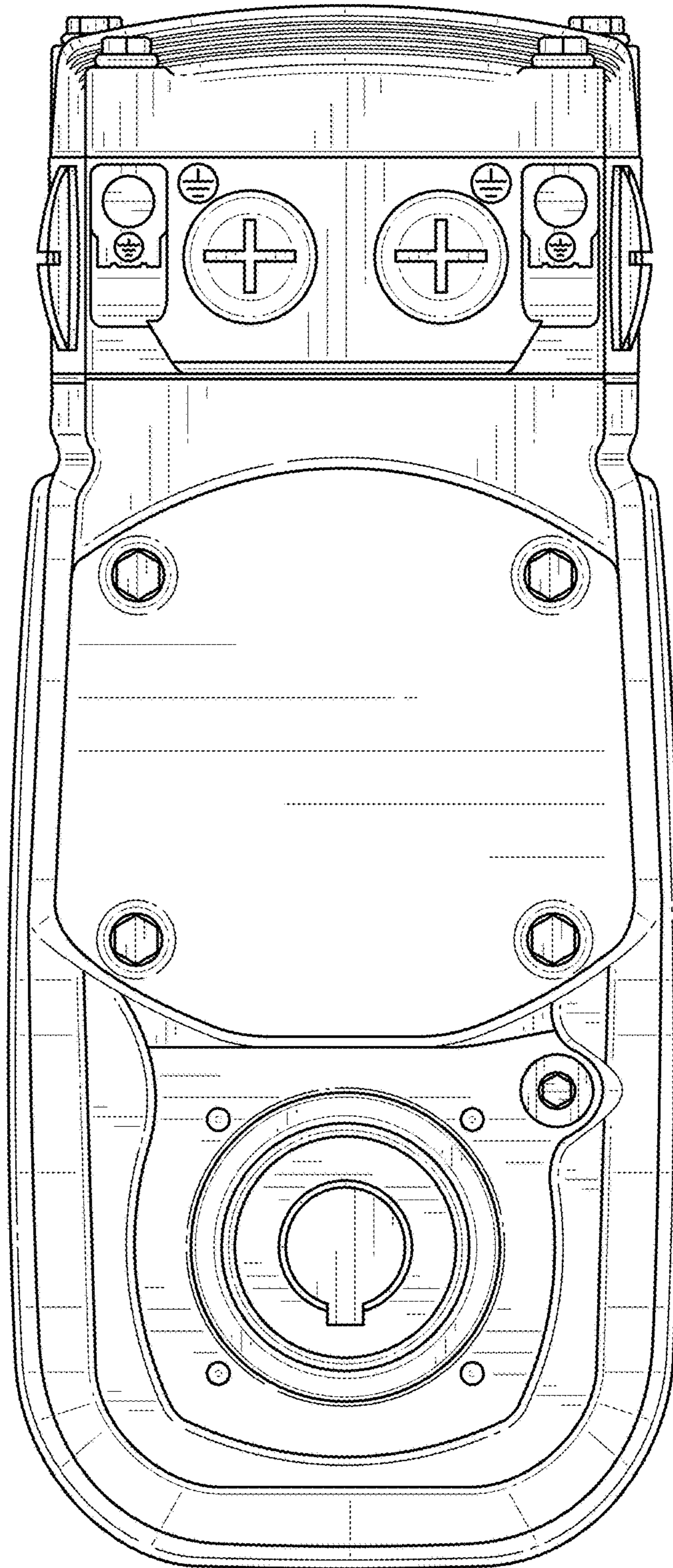




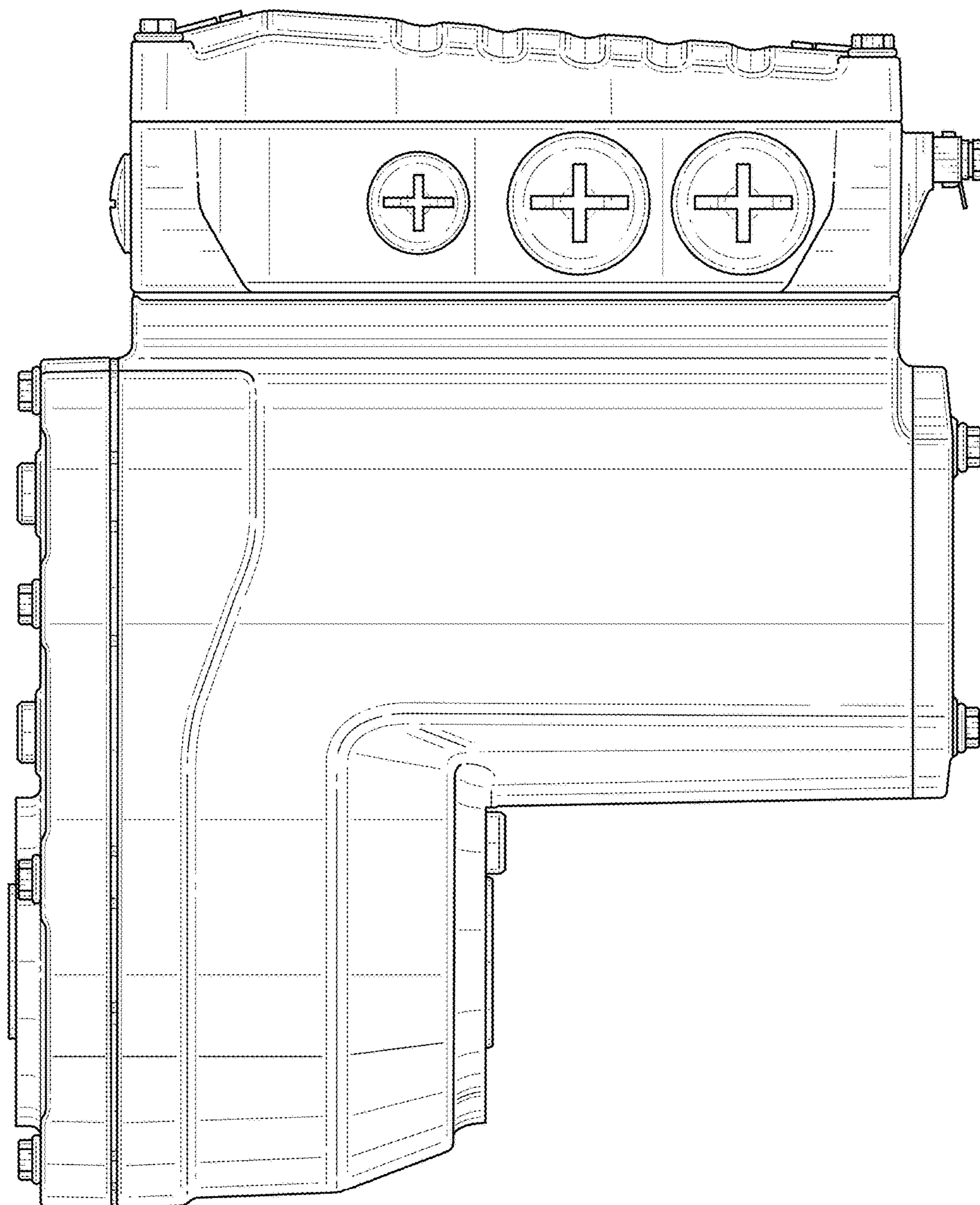
**FIG. 1**



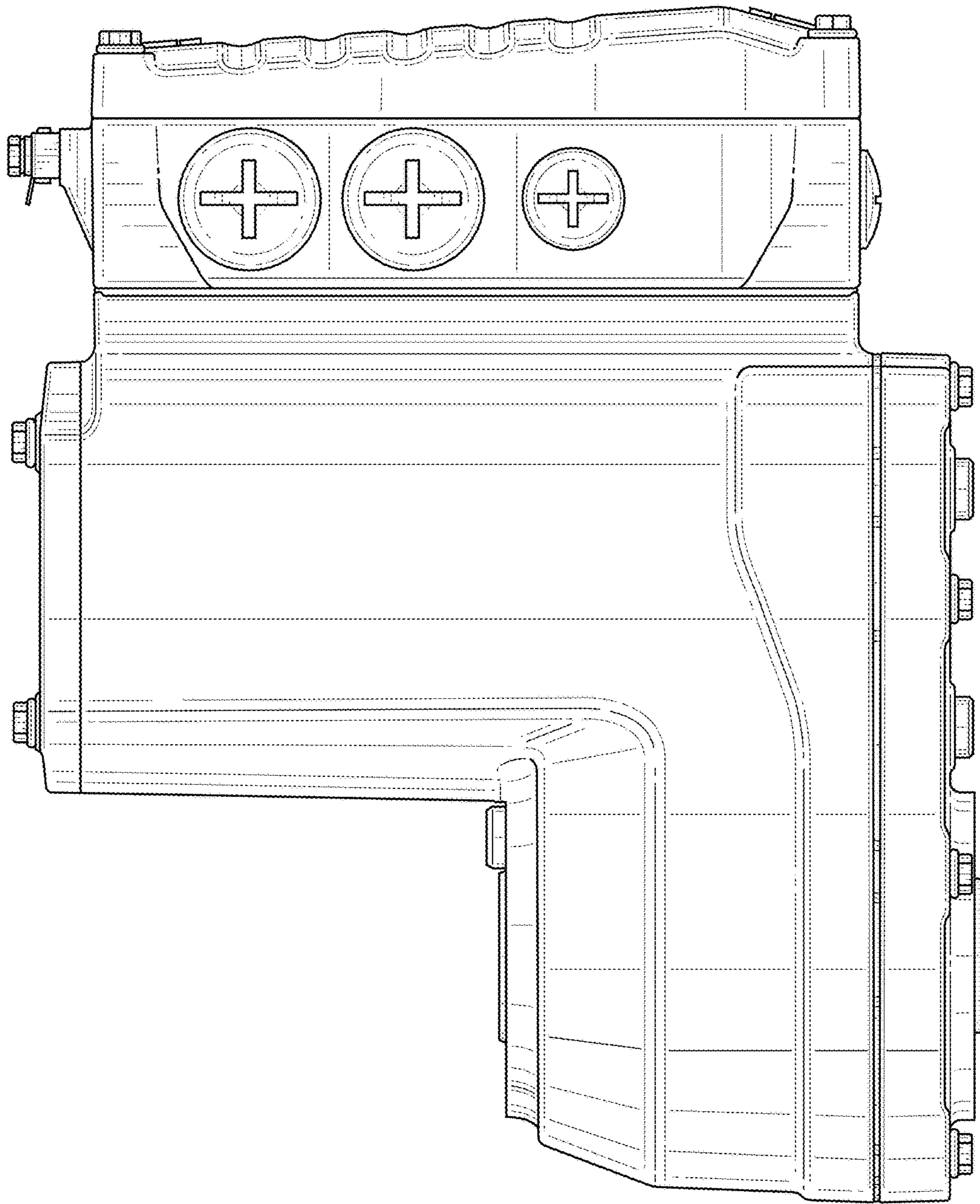
**FIG. 2**



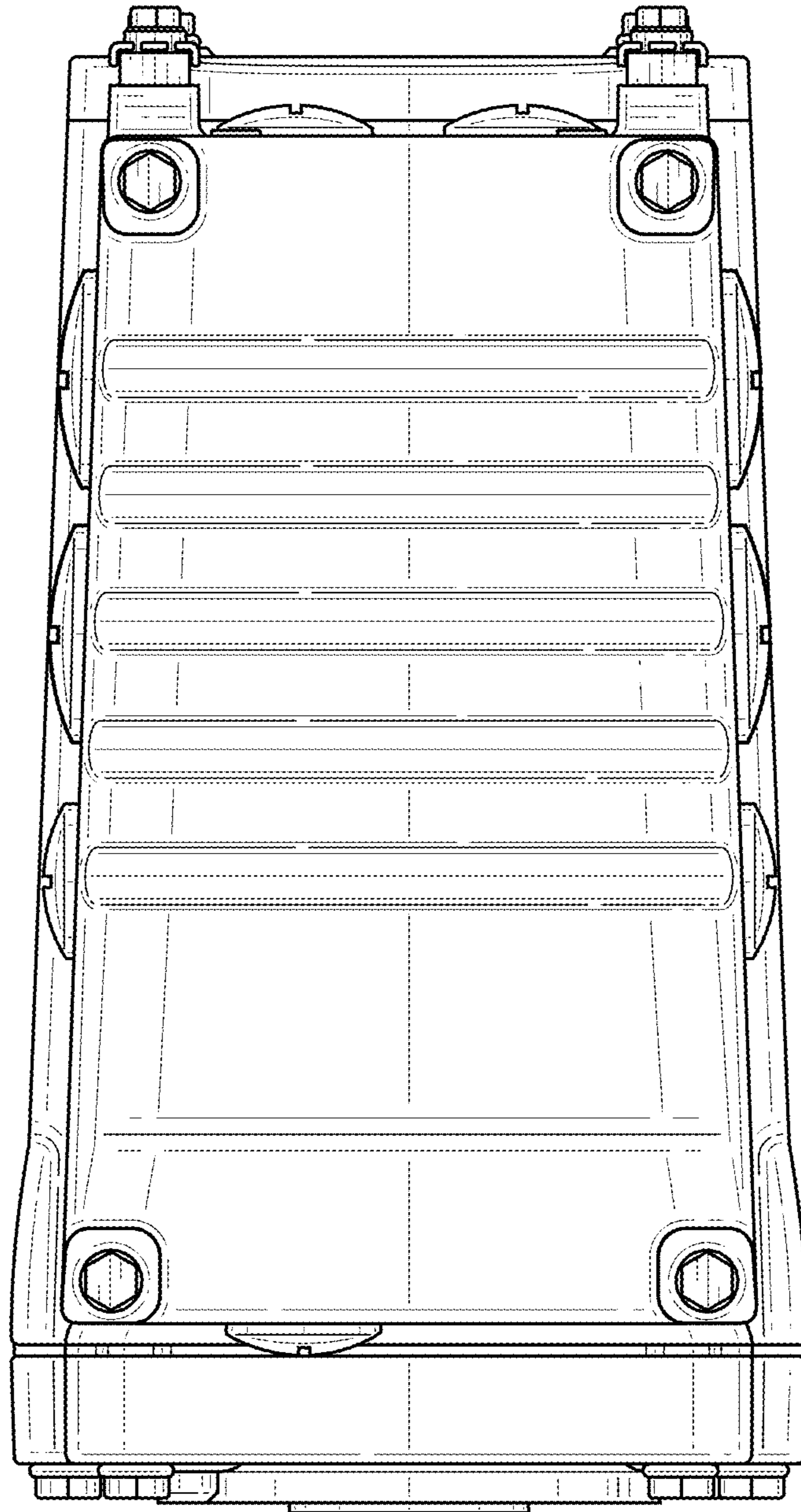
**FIG. 3**



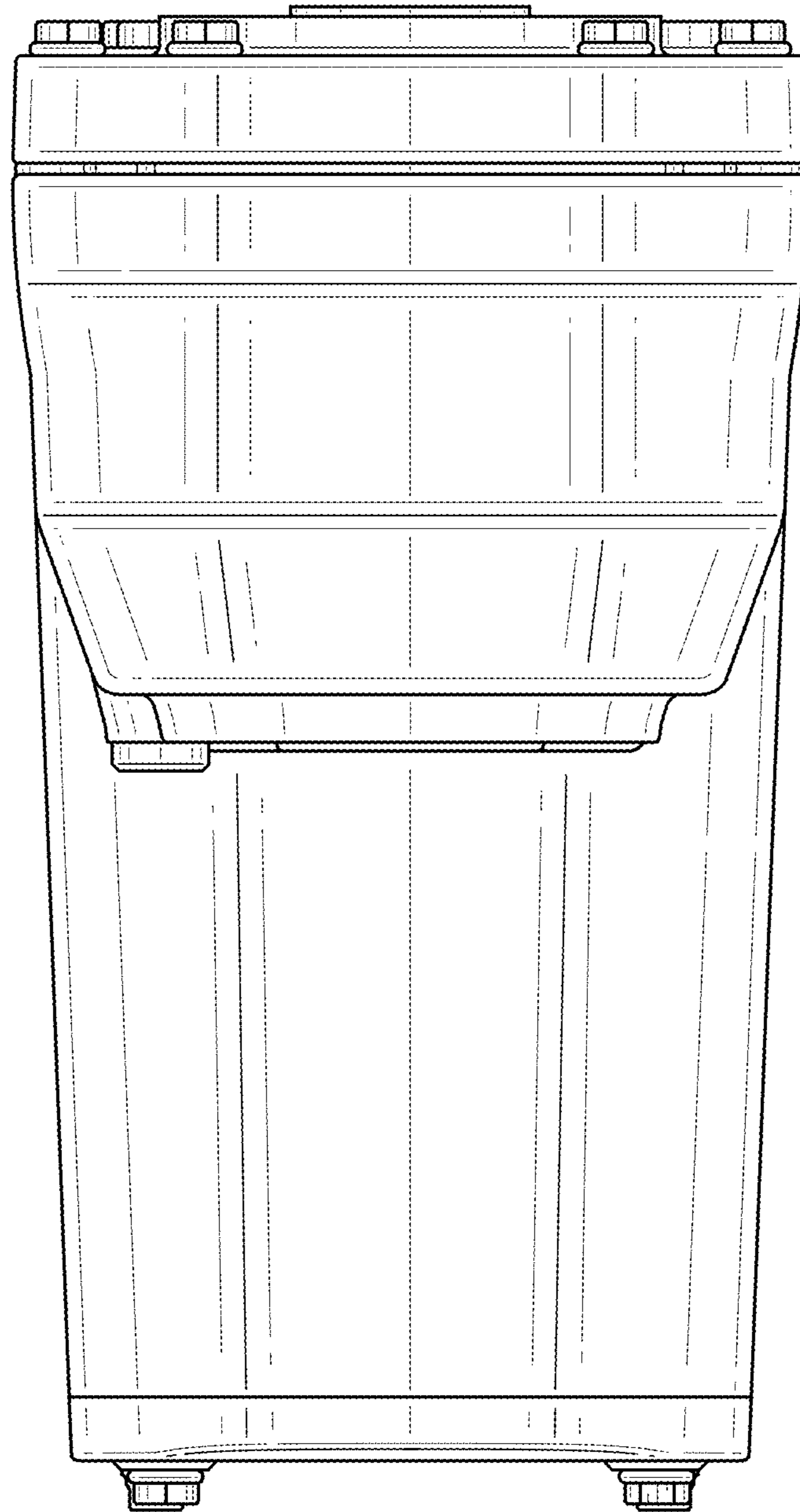
**FIG. 4**



**FIG. 5**



**FIG. 6**



**FIG. 7**



UNITED STATES PATENT AND TRADEMARK OFFICE  
**CERTIFICATE OF CORRECTION**

PATENT NO. : D829,171 S  
APPLICATION NO. : 29/599763  
DATED : September 25, 2018  
INVENTOR(S) : Danil Niznicenko et al.

Page 1 of 1

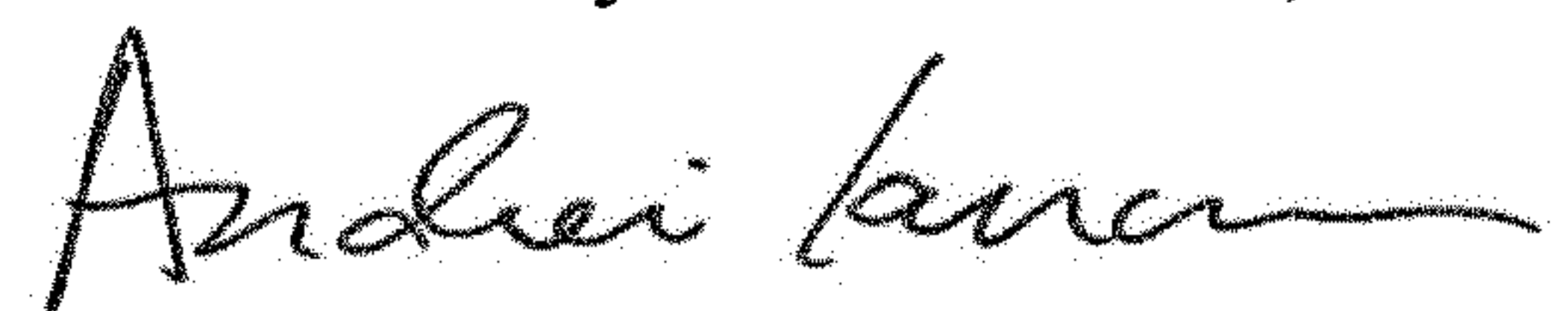
It is certified that error appears in the above-identified patent and that said Letters Patent is hereby corrected as shown below:

On the Title Page

Item (72), the city for the second inventor is spelled incorrectly. The correct information should read as follows:

**Andreas Zieger**, Wäghausel (DE)

Signed and Sealed this  
Eleventh Day of December, 2018



Andrei Iancu  
*Director of the United States Patent and Trademark Office*