



US00D829169S

(12) **United States Design Patent** (10) **Patent No.:** **US D829,169 S**  
**Okado** (45) **Date of Patent:** **\*\* Sep. 25, 2018**

(54) **POWER INVERTER**

(71) Applicant: **HONDA MOTOR CO., LTD.**, Tokyo (JP)

(72) Inventor: **Michihito Okado**, Wako (JP)

(73) Assignee: **HONDA MOTOR CO., LTD.**, Tokyo (JP)

(\*\*) Term: **15 Years**

(21) Appl. No.: **29/559,856**

(22) Filed: **Mar. 31, 2016**

(30) **Foreign Application Priority Data**

Oct. 1, 2015 (JP) ..... 2015-021616

(51) **LOC (11) Cl.** ..... **13-02**

(52) **U.S. Cl.**  
USPC ..... **D13/110**

(58) **Field of Classification Search**

USPC ..... D13/110, 116, 101, 123, 162, 164, 184,  
D13/199; 307/150–152; 361/600, 601,  
361/622, 702, 703, 730, 796, 809;  
363/141, 142; D15/149

CPC ..... H02M 7/00; H02M 7/02; H02M 7/003;  
H02M 1/10; H05K 5/00; H05K 5/0017;  
H05K 7/00; H05K 7/1427; H05K  
7/20918; H01M 2/1022; H01M 2/1027;  
H01M 2/1033; H02J 7/0042; H02J  
7/0044; H02J 7/0055; H02J 7/02

See application file for complete search history.

(56) **References Cited**

U.S. PATENT DOCUMENTS

5,424,588 A *	6/1995	Cantor .....	G01R 1/203 307/154
D511,139 S *	11/2005	Xiao .....	D13/116
D517,009 S *	3/2006	Xiao .....	D13/116
D567,175 S *	4/2008	Knuteson .....	D13/112
7,741,809 B2 *	6/2010	Zick .....	H01M 2/1022 320/114
D633,443 S *	3/2011	Wang .....	D13/116
D688,628 S *	8/2013	van Deursen .....	D13/116
D703,136 S *	4/2014	Choi .....	D13/110
D712,834 S *	9/2014	Munro .....	D13/116

\* cited by examiner

*Primary Examiner* — Derrick Holland

(74) *Attorney, Agent, or Firm* — Westerman, Hattori,  
Daniels & Adrian, LLP

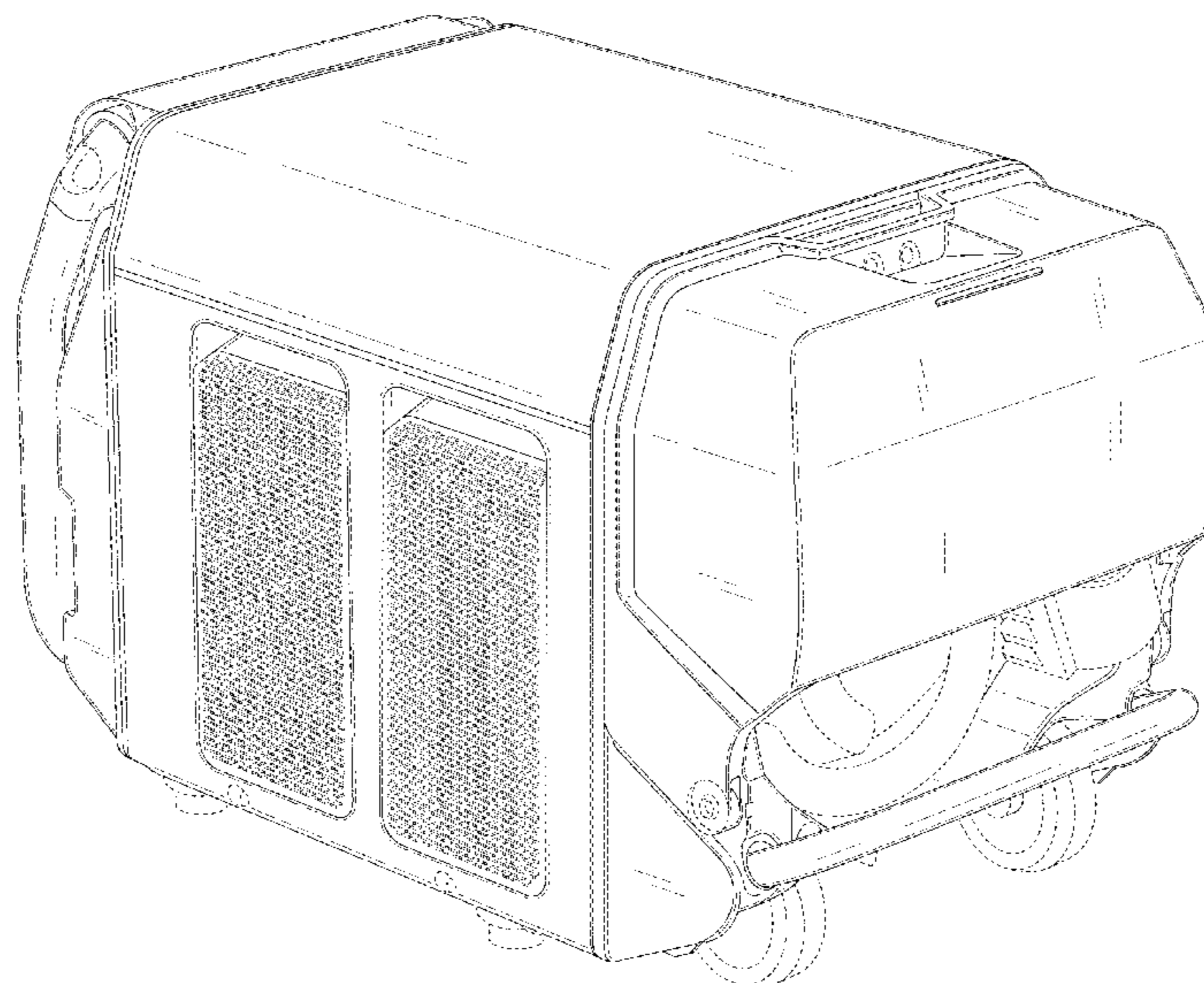
(57) **CLAIM**

The ornamental design for a power inverter, as shown and described.

**DESCRIPTION**

FIG. 1 is a front perspective view of a power inverter;  
FIG. 2 is a rear perspective view thereof;  
FIG. 3 is a front view thereof;  
FIG. 4 is a rear view thereof;  
FIG. 5 is a top plan view thereof;  
FIG. 6 is a right side view thereof;  
FIG. 7 is a left side view thereof; and,  
FIG. 8 is another rear perspective view thereof.  
The broken lines shown represent unclaimed subject matter and form no part of the claimed design.

**1 Claim, 8 Drawing Sheets**



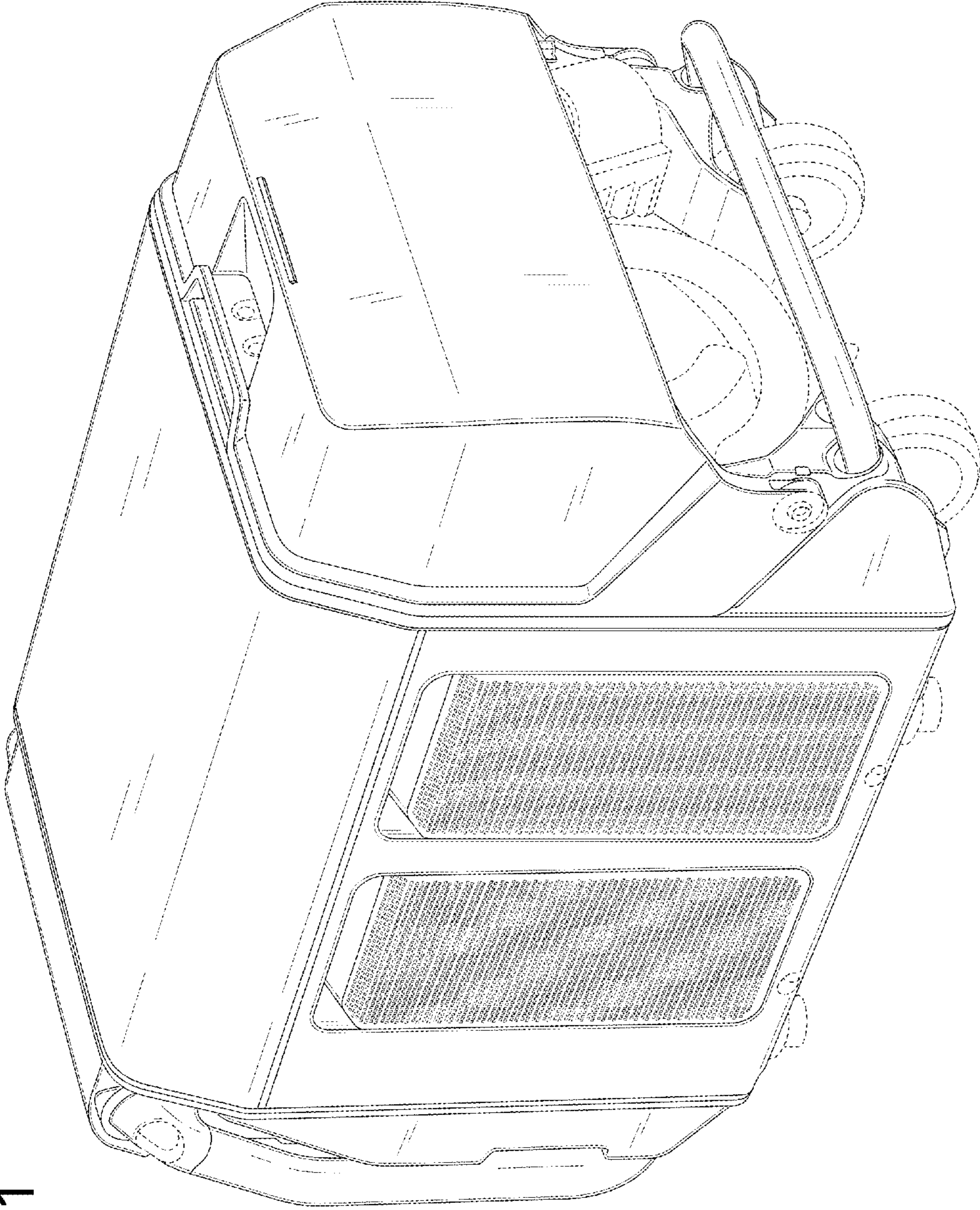


Fig.1



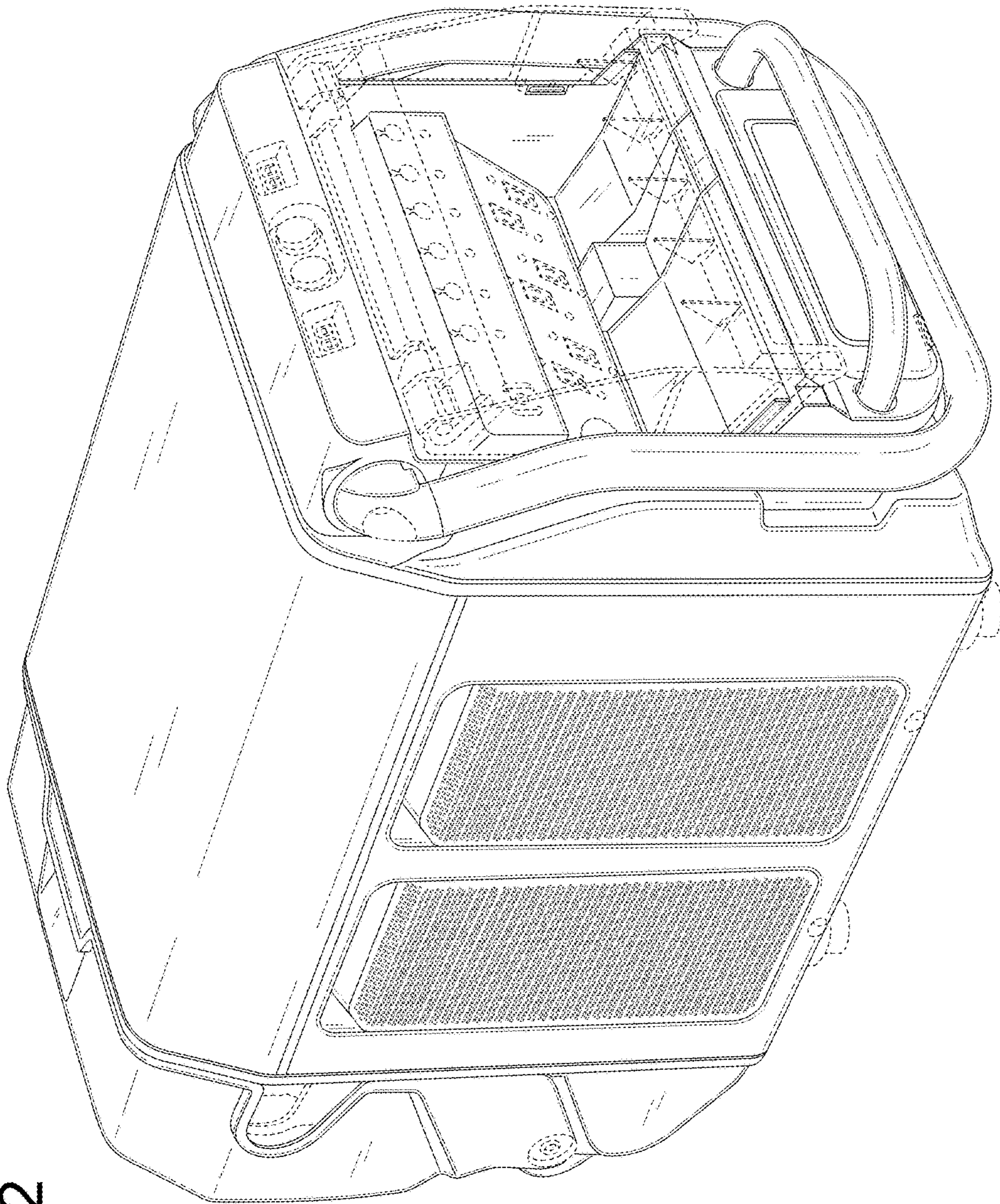


Fig.2

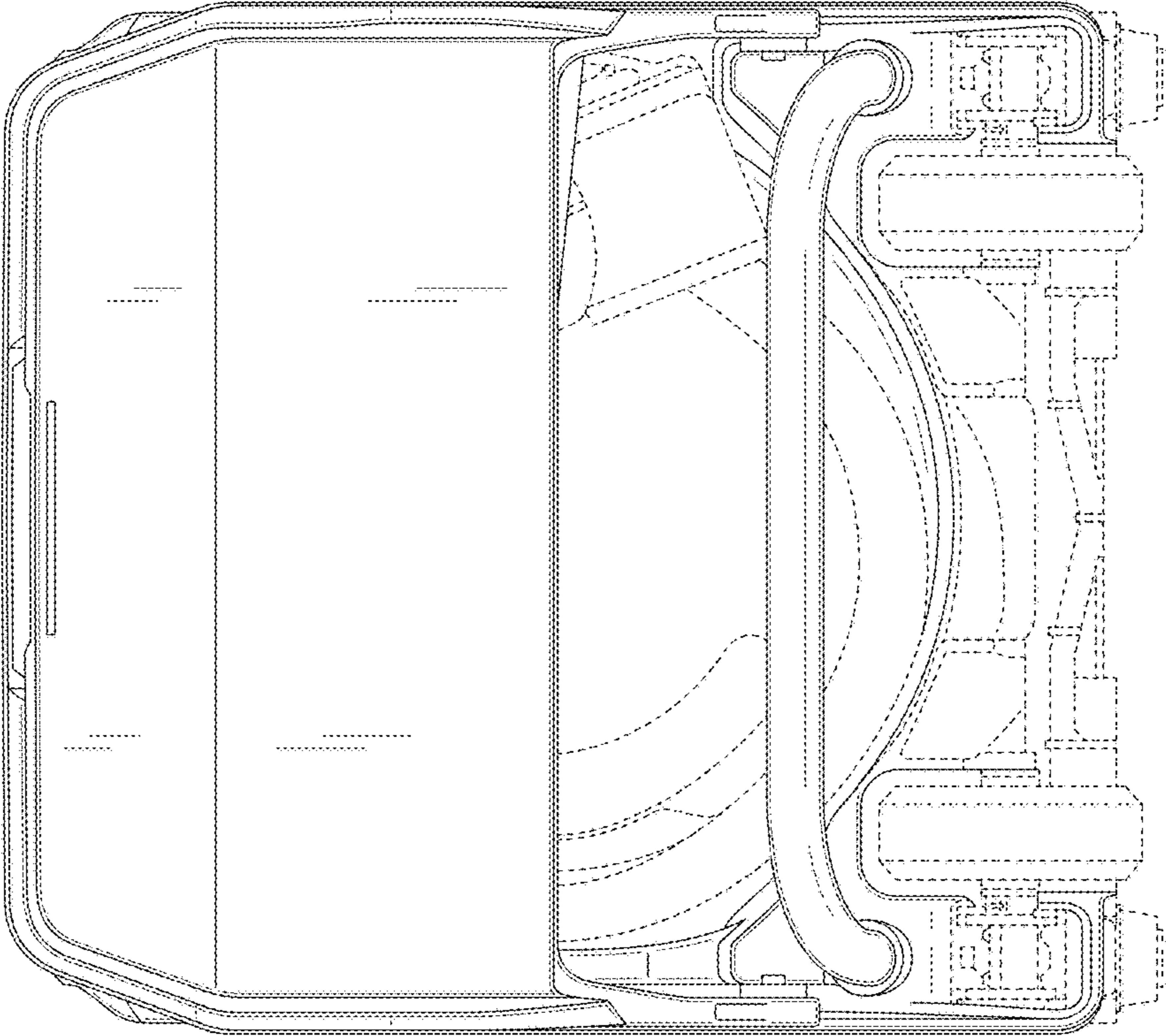


Fig.3



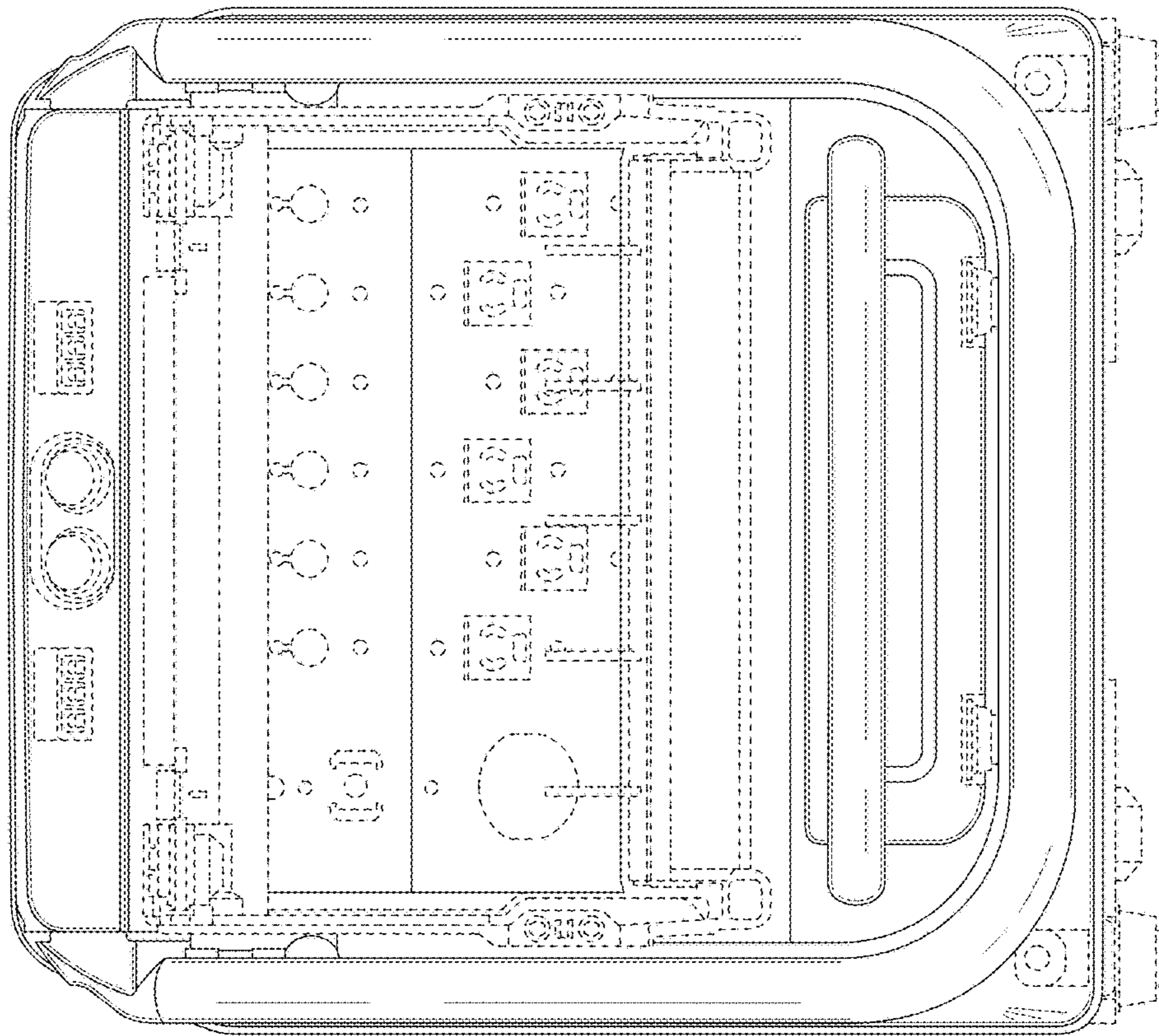
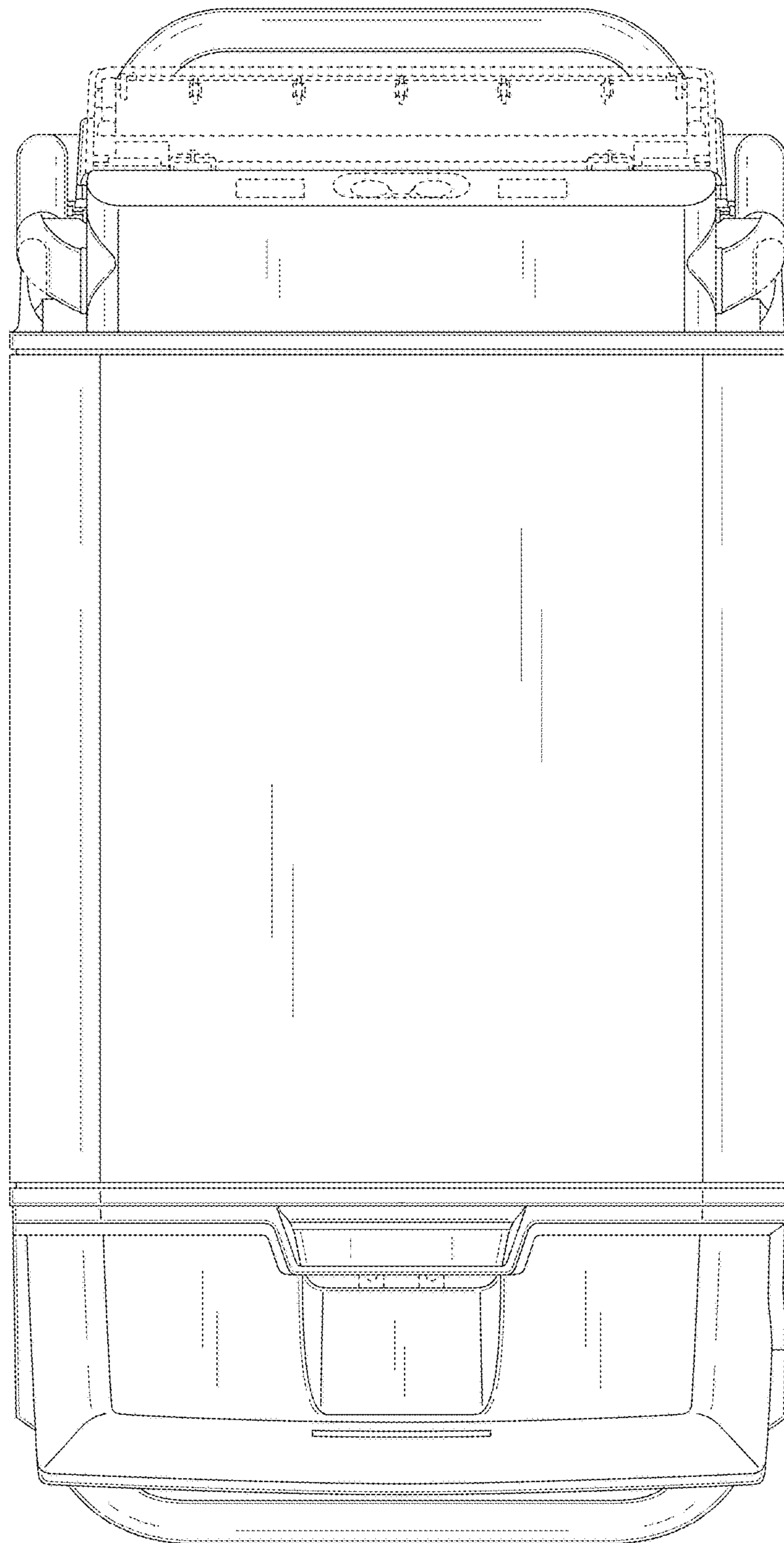


Fig. 4

Fig.5



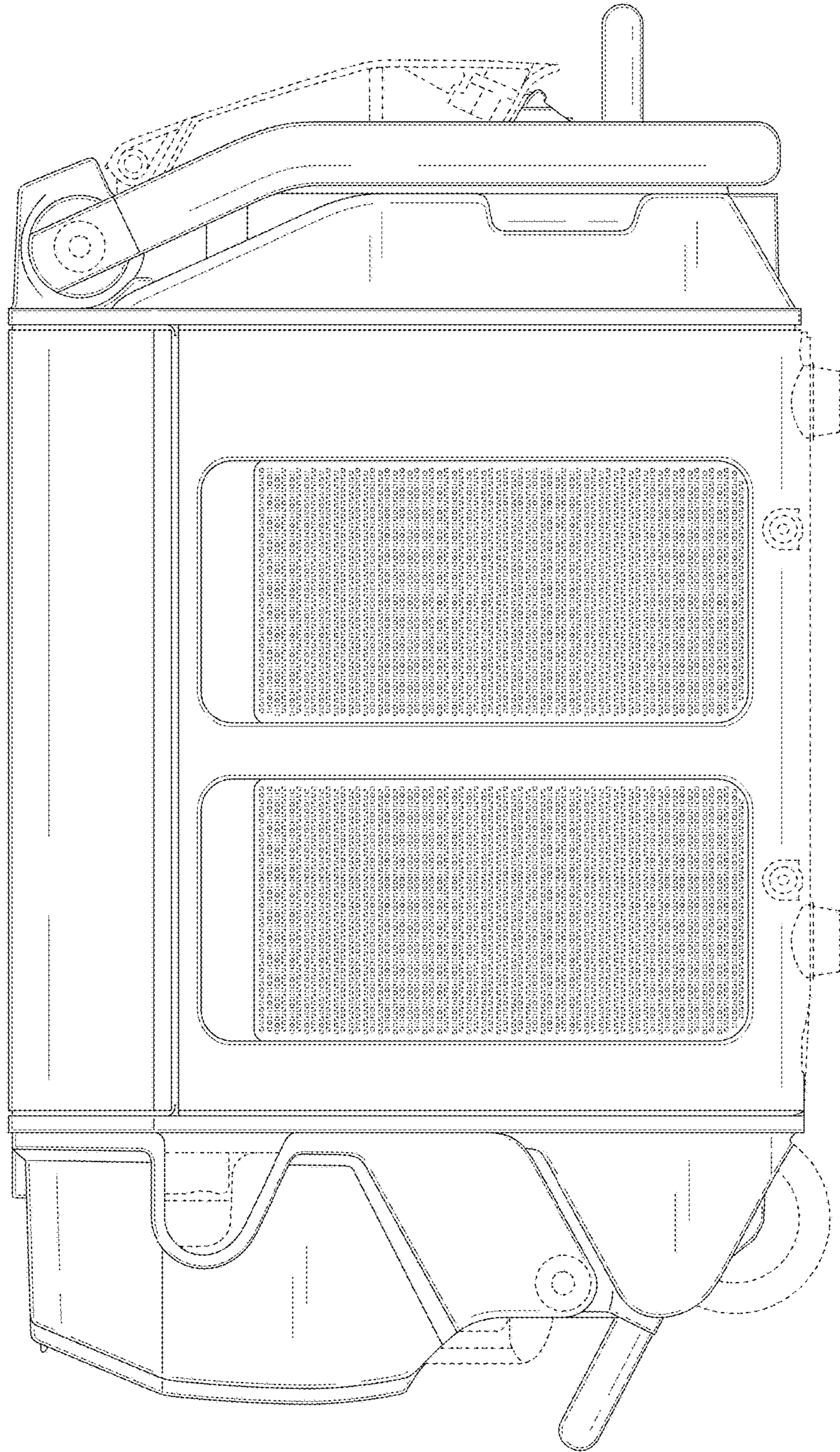


Fig.6



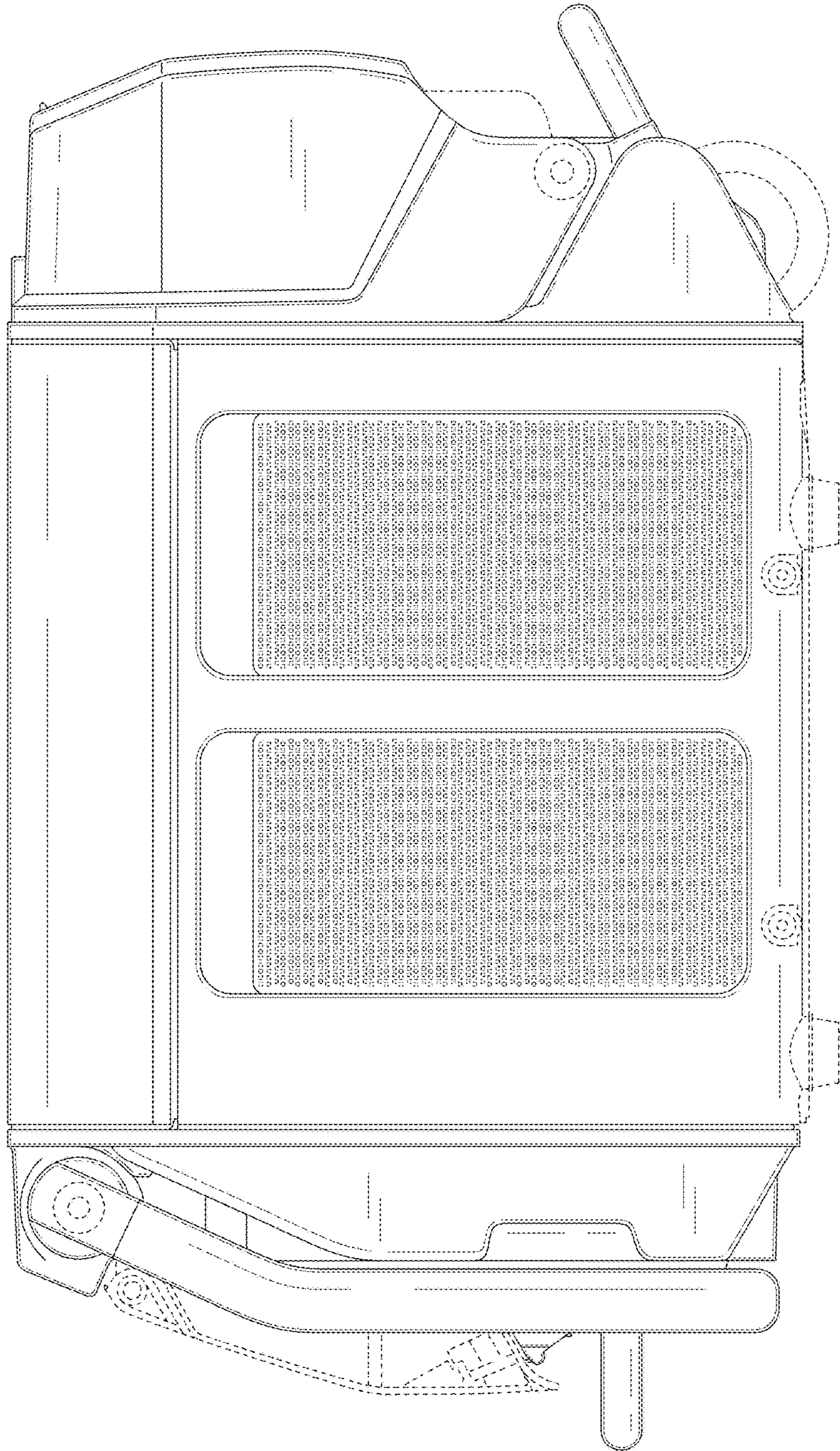


Fig.7



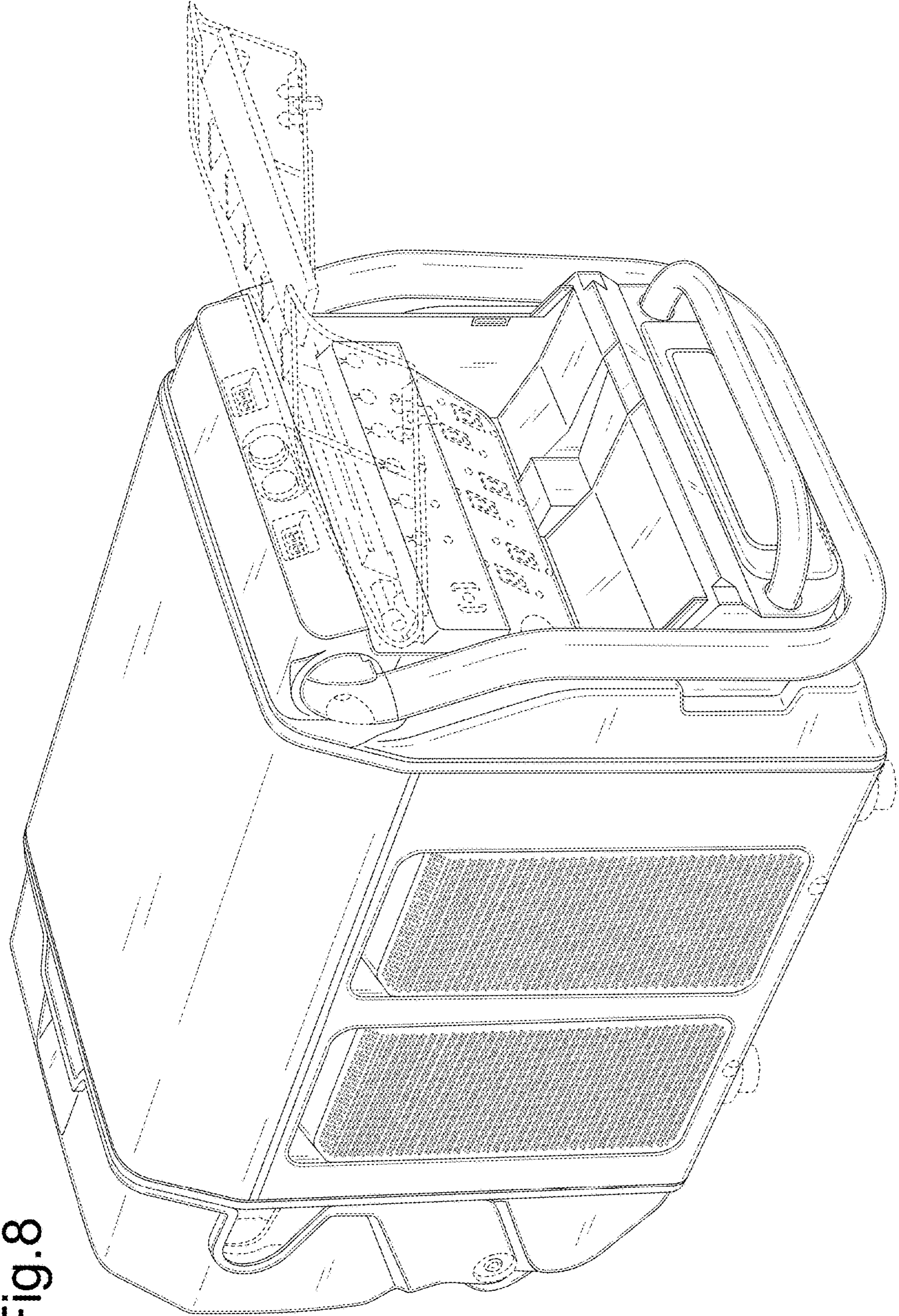


Fig.8