



US00D829167S

(12) **United States Design Patent** (10) **Patent No.:** **US D829,167 S**
Andre (45) **Date of Patent:** **** Sep. 25, 2018**

(54) **MOBILE CHARGER WITH CABLE**

D631,838 S * 2/2011 Cheng D13/108
D650,738 S * 12/2011 Leung D13/107
D717,243 S * 11/2014 Liu D13/103
D751,985 S * 3/2016 Curry D13/103

(71) Applicant: **Olivier Andre**, Tai Tam (HK)

(72) Inventor: **Olivier Andre**, Tai Tam (HK)

(73) Assignee: **Intermed Asia Limited**, Hong Kong (HK)

(**) Term: **15 Years**

(21) Appl. No.: **29/596,245**

(22) Filed: **Mar. 7, 2017**

(51) **LOC (11) Cl.** **13-02**

(52) **U.S. Cl.**

USPC **D13/108**; D13/103

(58) **Field of Classification Search**

USPC D13/102–110, 118–119, 184, 199;
D14/356, 432, 480.1–480.7

CPC Y02E 60/10; Y02E 60/12; Y02E 60/122;
Y02E 60/124; Y02E 60/50; H01M 2/02;
H01M 2/022; H01M 2/0202; H01M
2/0207; H01M 2/0212; H01M 2/1061;
H01M 2/1022; H01M 2/1055; H01M
2/1066; H01M 2/105; H01M 2/20; H01M
2/204; H01M 2/206; H01M 10/44; H01M
10/46; H01M 10/465; H01M 10/482;
H01M 2200/30; H01M 2250/30; H01M
2250/40; H02J 7/00; H02J 7/0003; H02J
7/0011; H02J 7/0013; H02J 7/0054; H02J
7/0055; H02J 7/0057; H02J 2007/0062

See application file for complete search history.

(56) **References Cited**

U.S. PATENT DOCUMENTS

D446,499 S * 8/2001 Andre D13/110
D520,502 S * 5/2006 Xu D14/356
D586,740 S * 2/2009 Song D13/103
D586,741 S * 2/2009 Song D13/103
D592,130 S * 5/2009 Tatehata D13/103
D593,940 S * 6/2009 Nonni D13/103

(Continued)

Primary Examiner — Rosemary K Tarcza

Assistant Examiner — Nathaniel D. Buckner

(74) *Attorney, Agent, or Firm* — Cohen Grigsby, P.C.

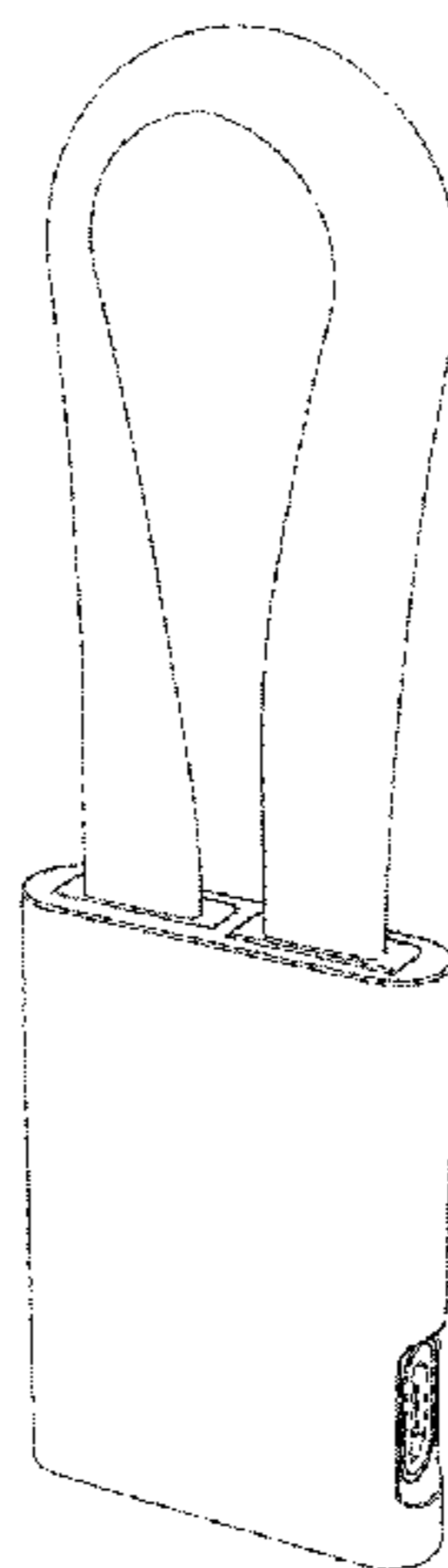
(57) **CLAIM**

The ornamental design for a mobile charger with cable, as shown and described.

DESCRIPTION

FIG. 1 is a front perspective view of the mobile charger with cable showing my new design;
FIG. 2 is a rear perspective view thereof;
FIG. 3 is a front elevation view thereof;
FIG. 4 is a rear elevation view thereof;
FIG. 5 is a top plan view thereof;
FIG. 6 is a bottom plan view thereof;
FIG. 7 is a right elevation view thereof;
FIG. 8 is a left elevation view thereof;
FIG. 9 is a front perspective view without cable of the mobile charger with cable.
FIG. 10 is a rear perspective view without cable of the mobile charger with cable.
FIG. 11 is a front view without cable of the mobile charger with cable.
FIG. 12 is a rear view without cable of the mobile charger with cable.
FIG. 13 is a top view without cable of the mobile charger with cable.
FIG. 14 is a bottom view without cable of the mobile charger with cable.
FIG. 15 is a right view without cable of the mobile charger with cable; and,
FIG. 16 is a left view without cable of the mobile charger with cable.

1 Claim, 8 Drawing Sheets



(56)

References Cited

U.S. PATENT DOCUMENTS

D754,131 S *	4/2016	Shim	D14/435
D760,647 S *	7/2016	Chen	D13/103
D762,169 S *	7/2016	Lei	D13/108
D769,877 S *	10/2016	Akana	D14/433
D772,807 S *	11/2016	Chen	D13/103
D774,514 S *	12/2016	Turksu	D14/480.5
D789,358 S *	6/2017	Yang	D14/356
D792,409 S *	7/2017	Shim	D14/435
D801,269 S *	10/2017	Cho	D13/119
D813,803 S *	3/2018	Massar	D13/108
D815,037 S *	4/2018	Chen	D13/108

* cited by examiner

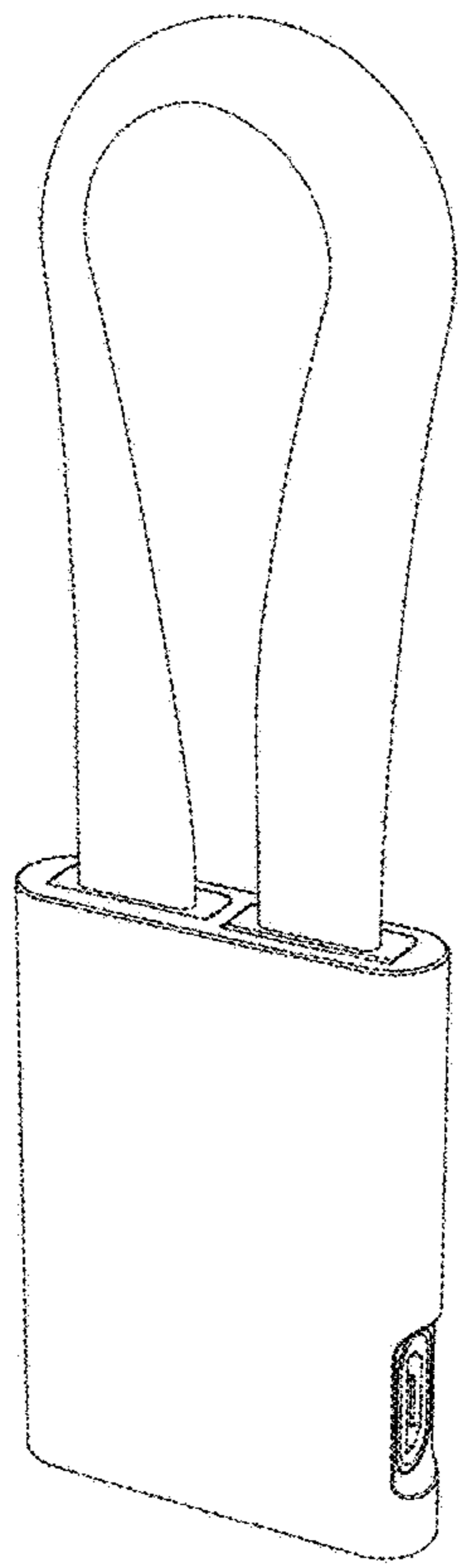


FIG. 1

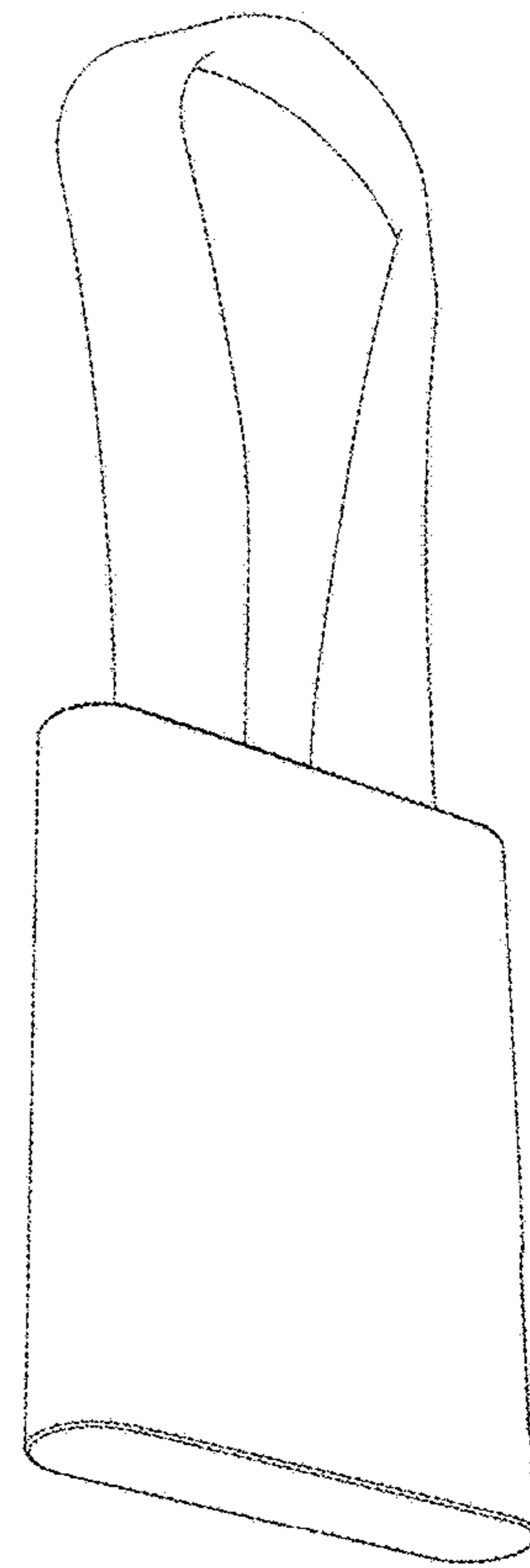


FIG. 2

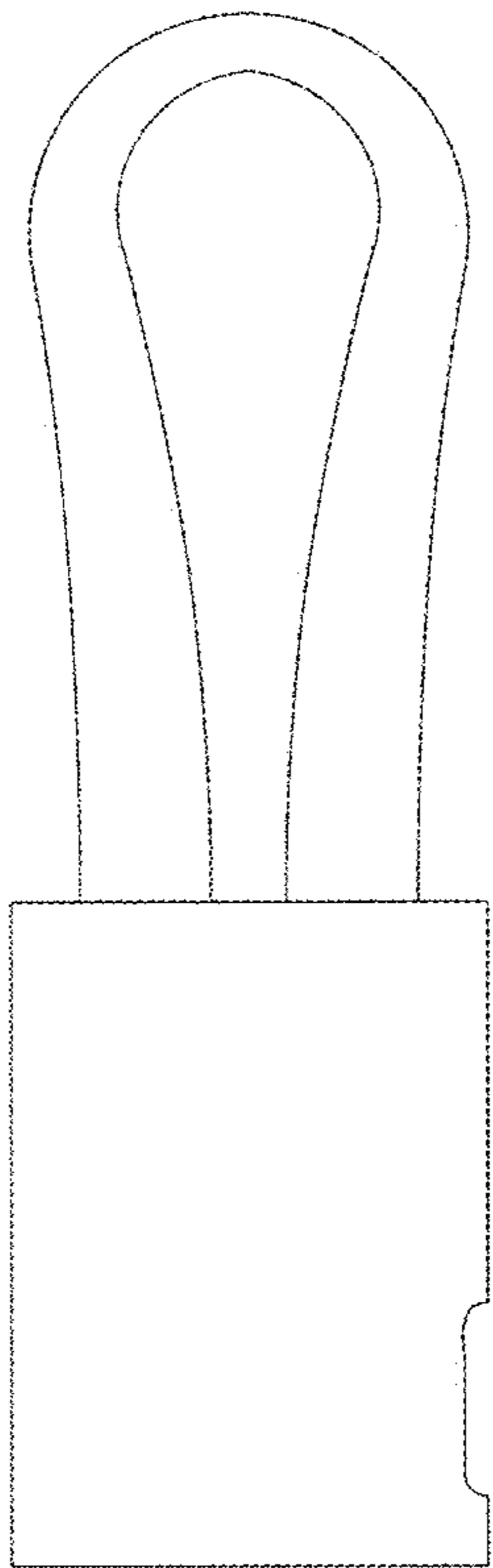


FIG. 3

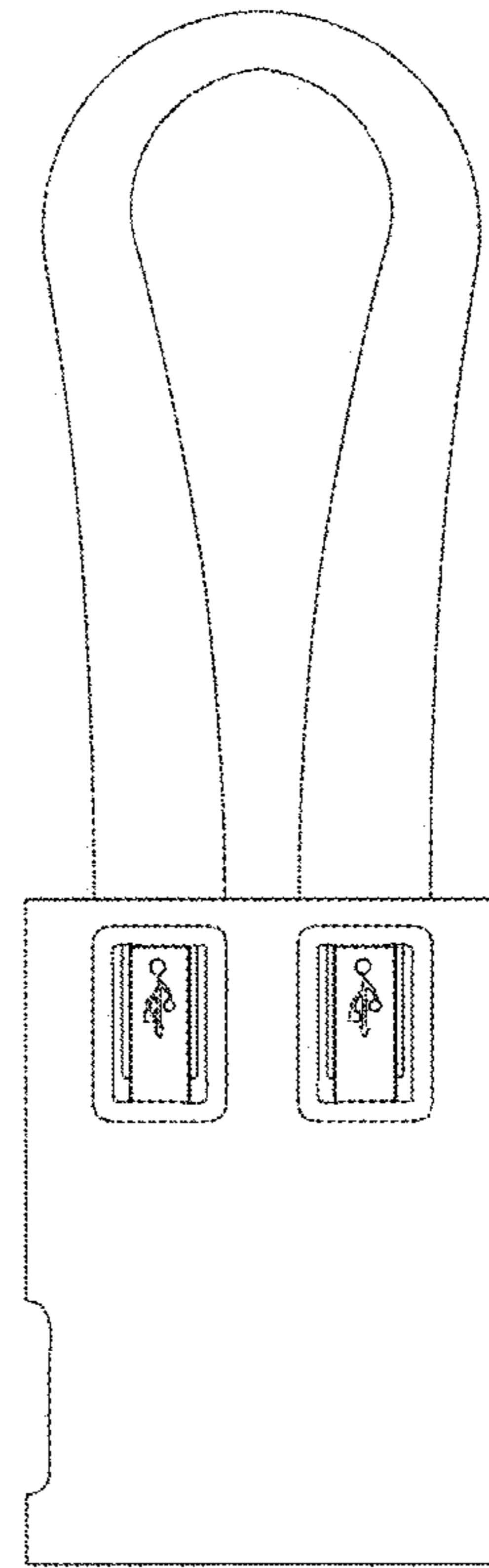


FIG. 4



FIG. 5

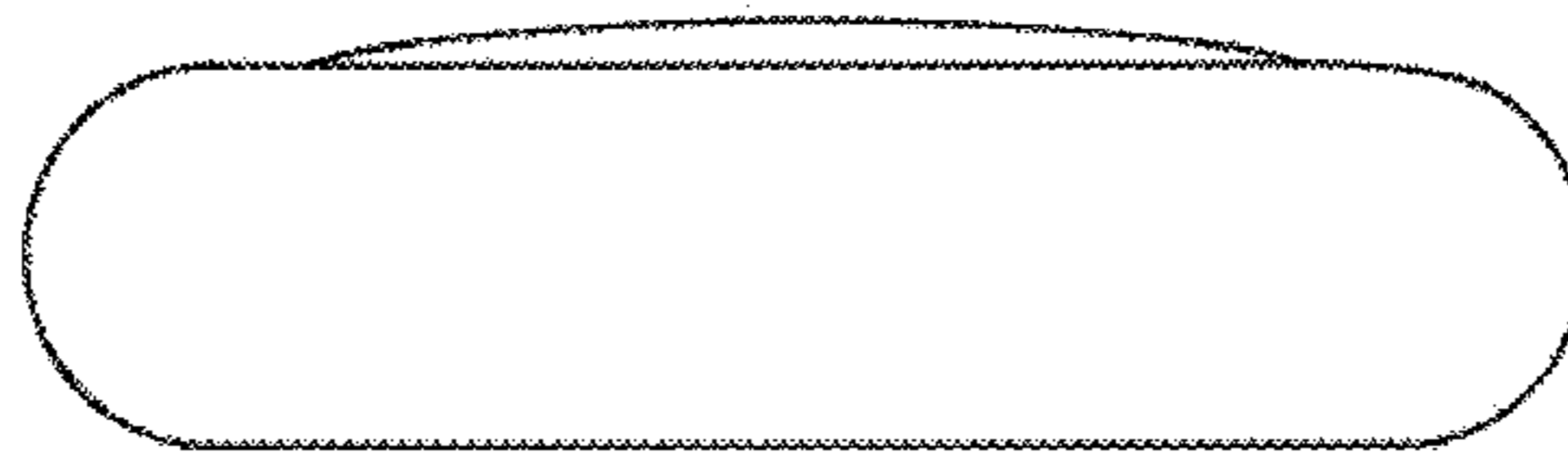


FIG. 6

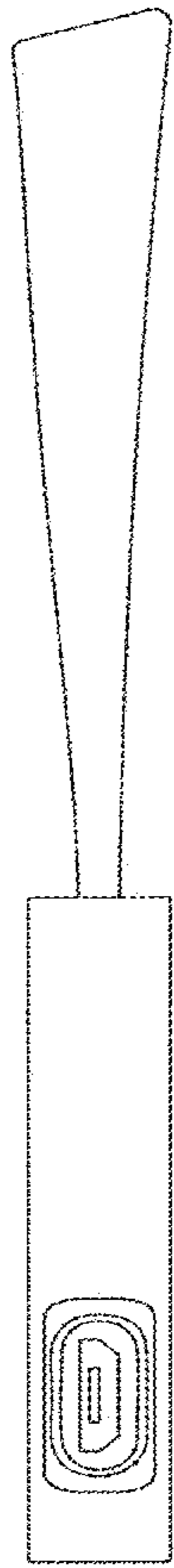


FIG. 7

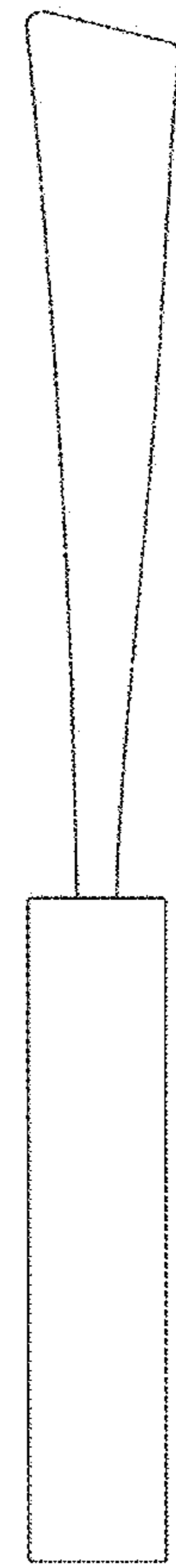


FIG. 8

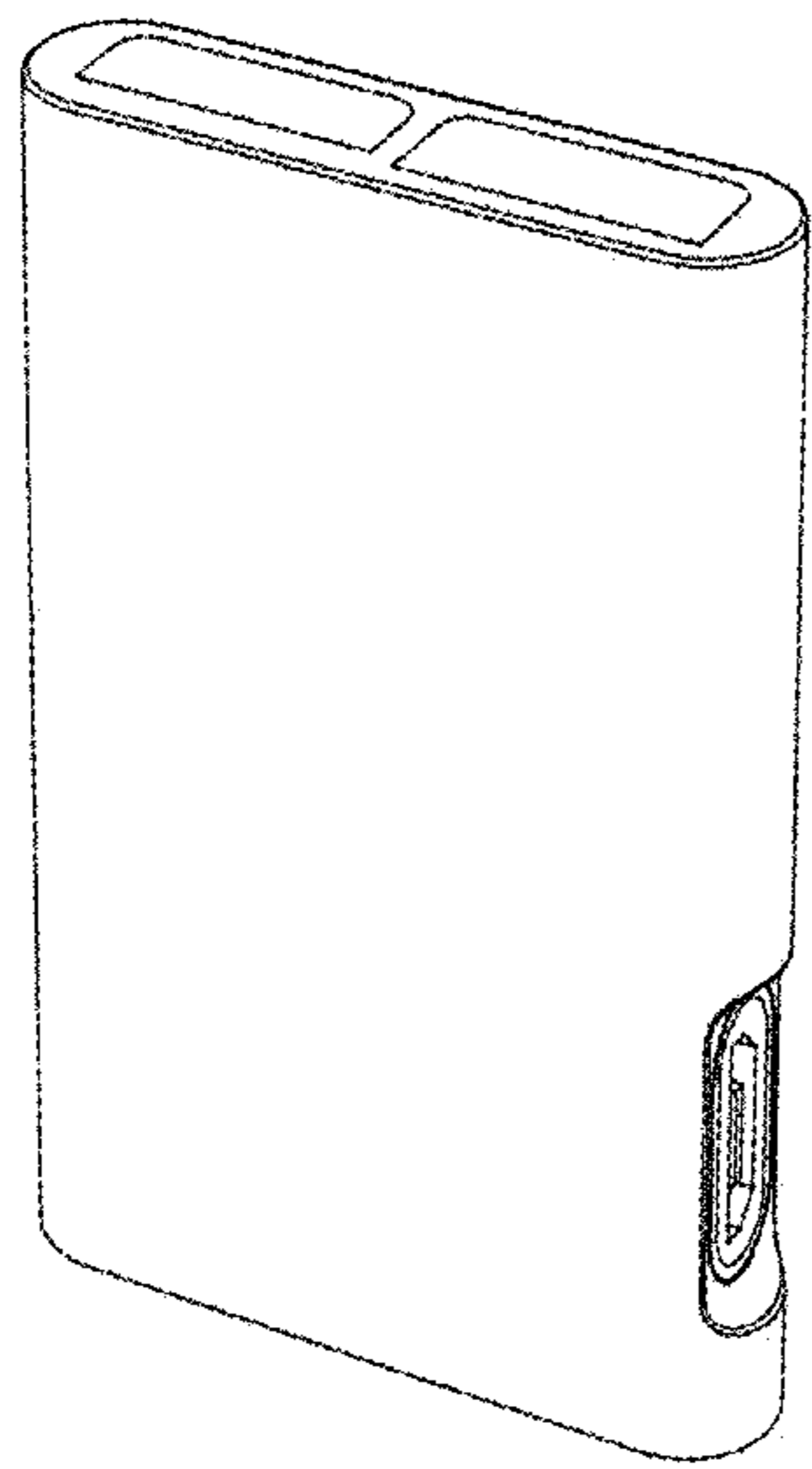


FIG. 9

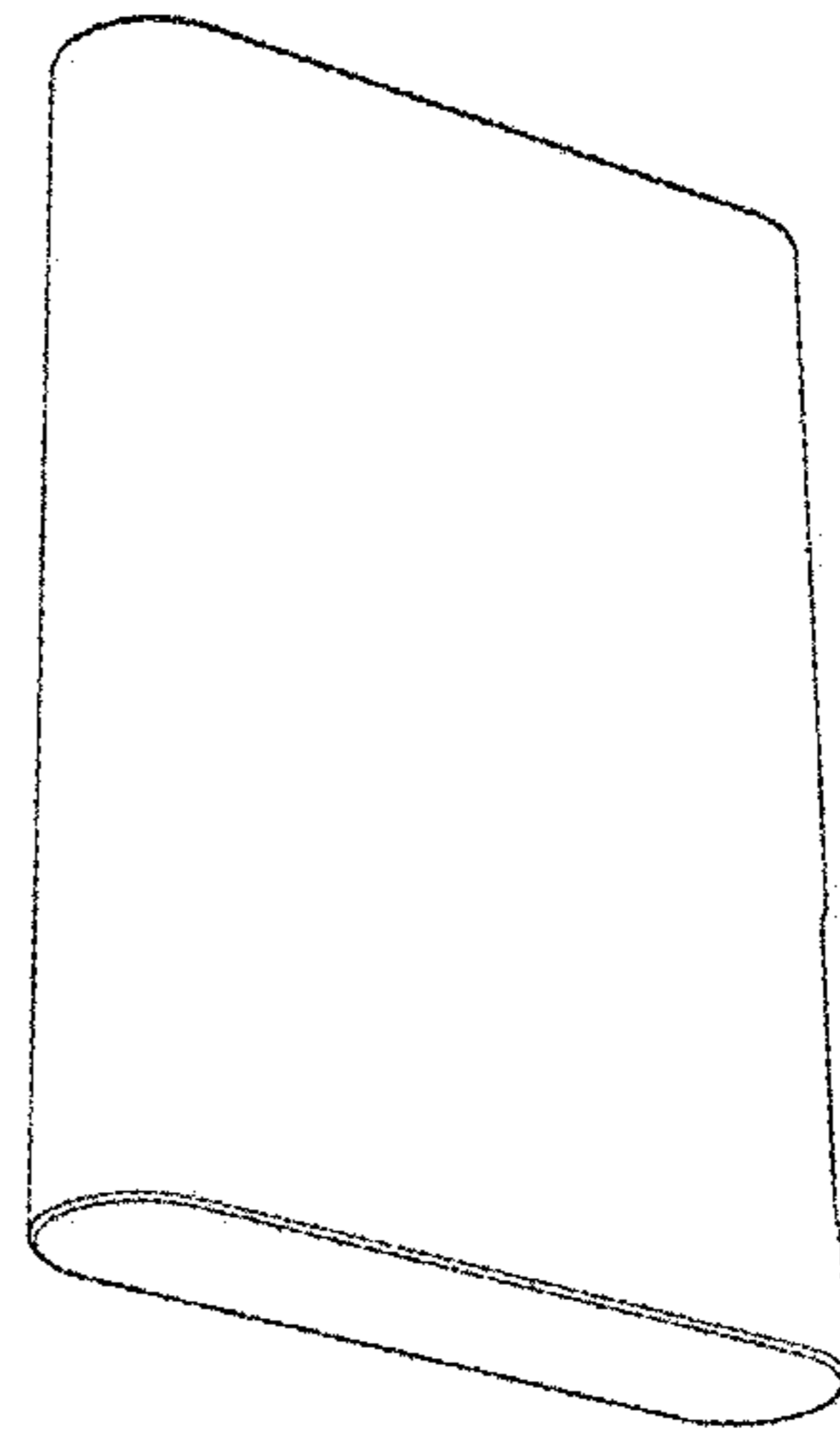


FIG. 10

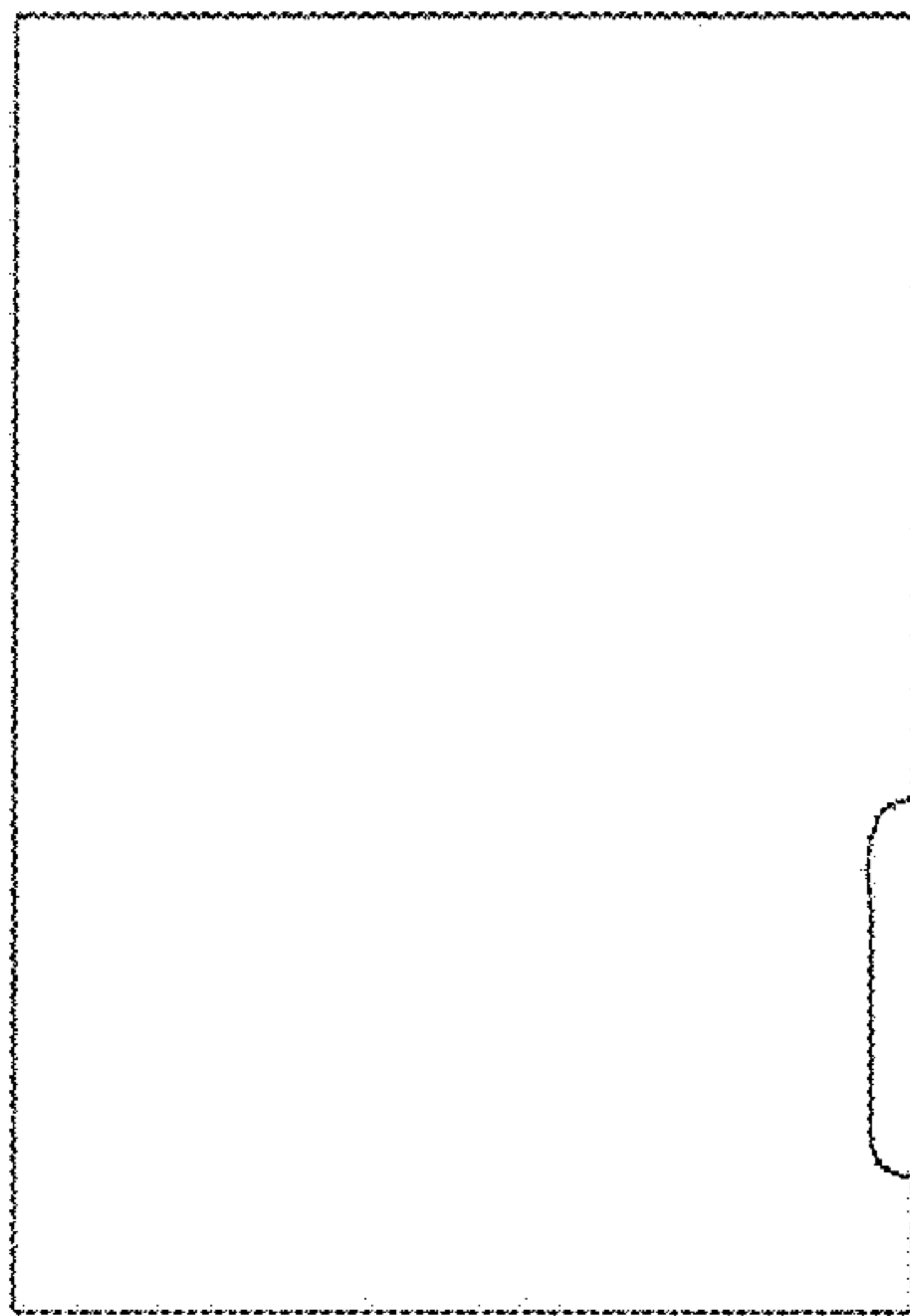


FIG. 11

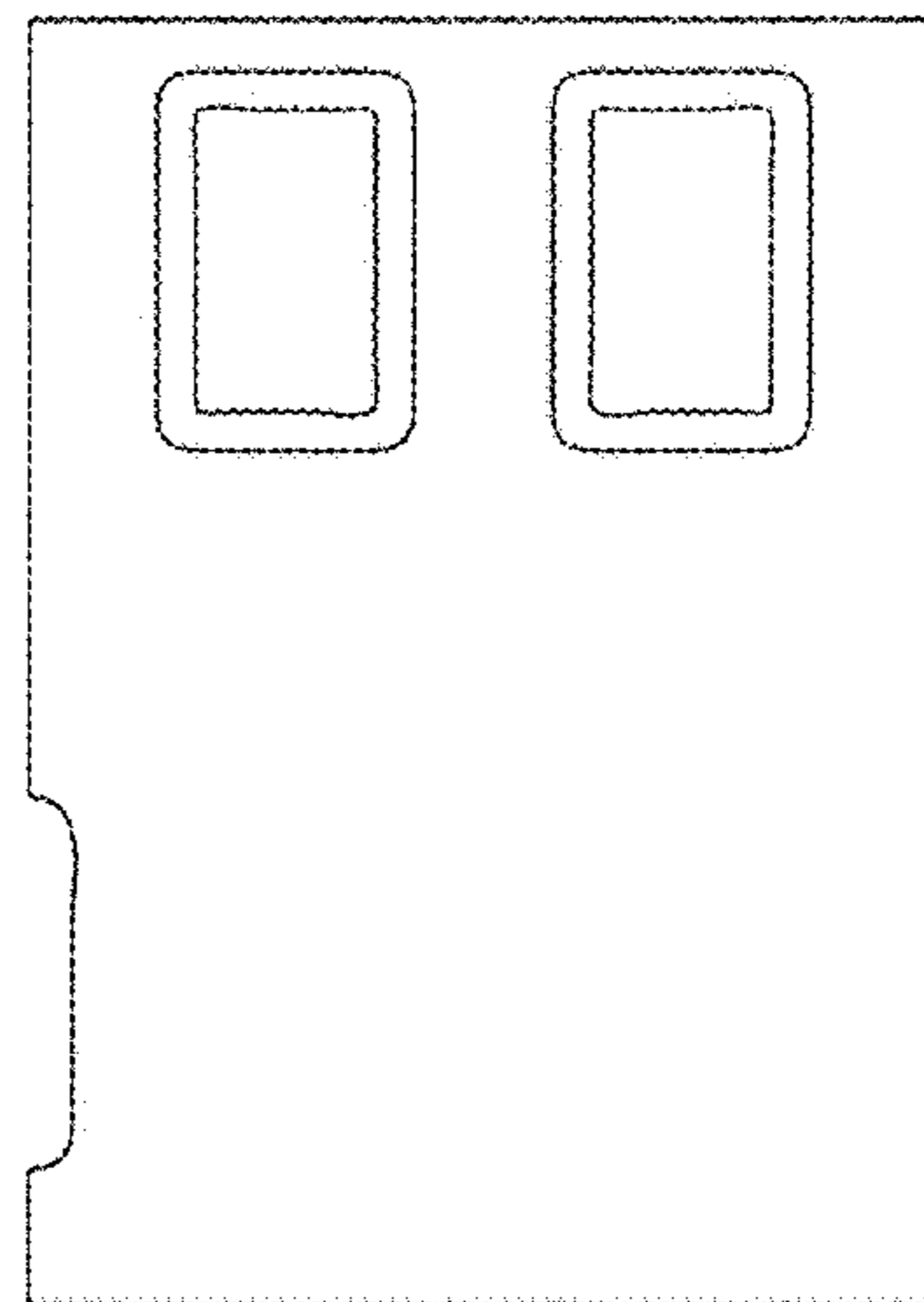


FIG. 12

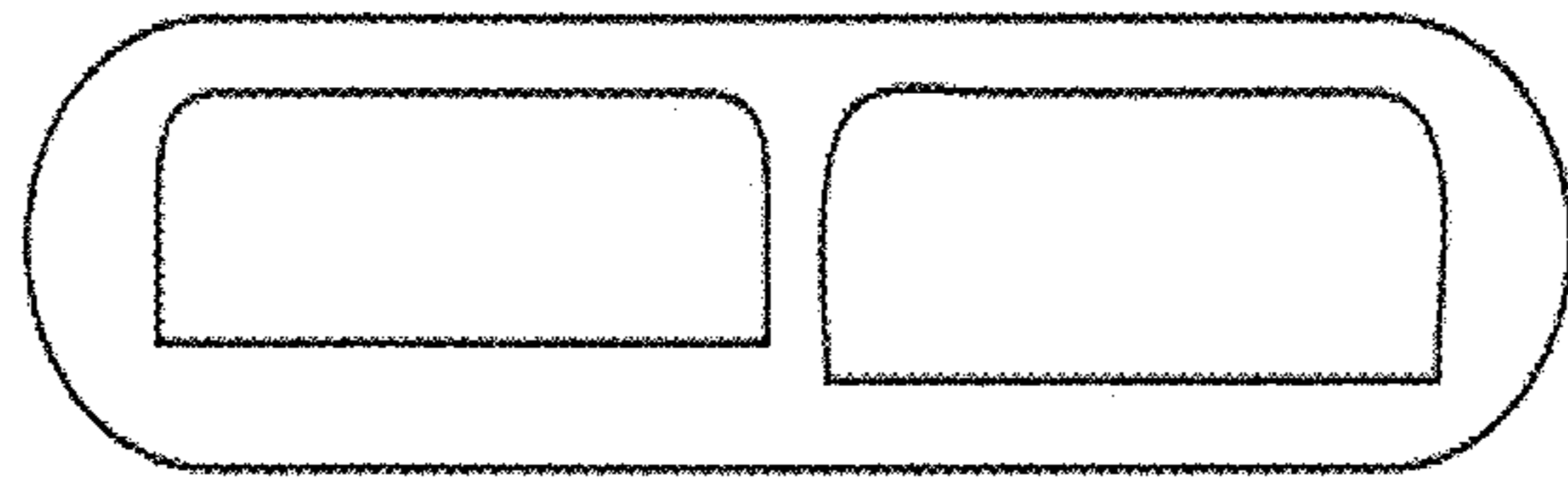


FIG. 13



FIG. 14

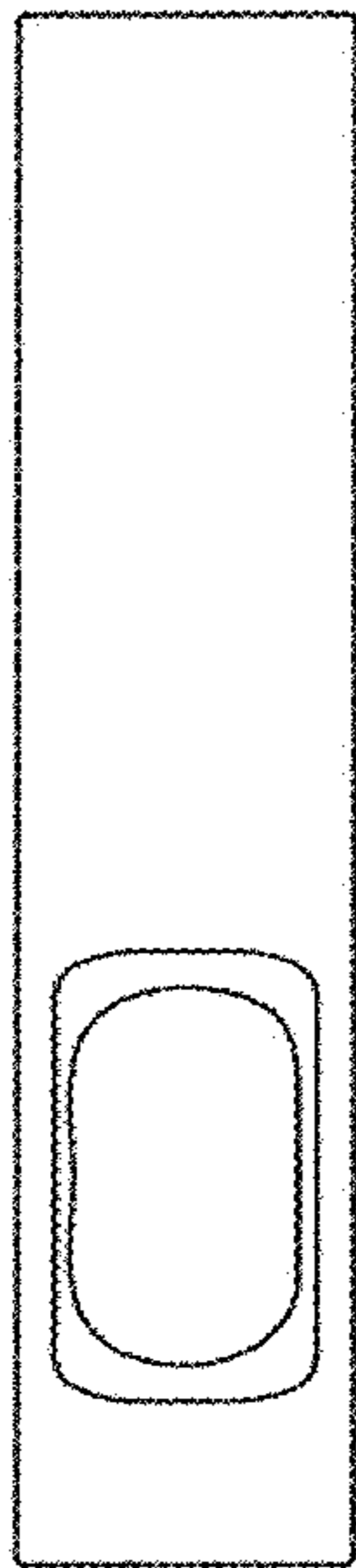


FIG. 15

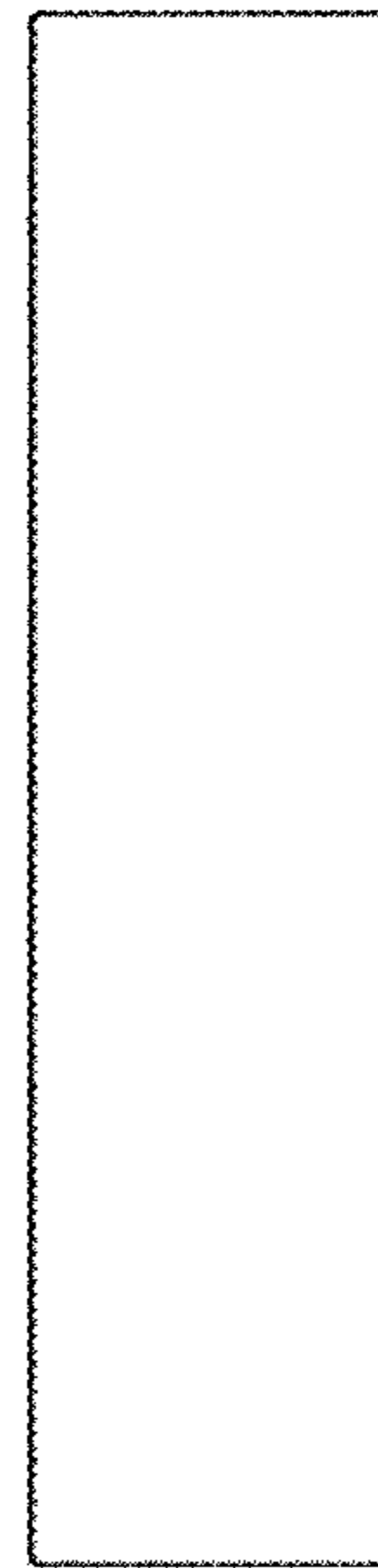


FIG. 16