



US00D829165S

(12) **United States Design Patent** (10) **Patent No.:** **US D829,165 S**  
**Moomaw et al.** (45) **Date of Patent:** **\*\* Sep. 25, 2018**

(54) **ENERGY STORAGE DEVICE**

(71) Applicant: **Gridtential Energy, Inc.**, Santa Clara, CA (US)

(72) Inventors: **Daniel Jason Moomaw**, Santa Clara, CA (US); **Collin Kwok Leung Mui**, Mountain View, CA (US)

(73) Assignee: **Gridtential Energy, Inc.**, Santa Clara, CA (US)

(\*\*) Term: **15 Years**

(21) Appl. No.: **29/571,122**

(22) Filed: **Jul. 14, 2016**

(51) **LOC (11) Cl.** ..... **13-02**

(52) **U.S. Cl.**  
USPC ..... **D13/103**

(58) **Field of Classification Search**  
USPC ..... D13/102–110, 118–119, 184, 199;  
D14/356, 432

(Continued)

(56) **References Cited**

**U.S. PATENT DOCUMENTS**

D533,832 S \* 12/2006 Hock ..... D13/103  
D584,224 S \* 1/2009 Mori ..... D13/103

(Continued)

**OTHER PUBLICATIONS**

Gridtential Silicon Joule, article posted on Jan. 12, 2017, retrieved on Jun. 28, 2017, retrieved from the Internet: URL<<http://www.prnewswire.com/news-releases/gridtential-secures-6-million-from-battery-industry-strategics-east-penn-manufacturing-crown-battery-manufacturing-leoch-international-and-power-sonic-inc-300389955.html>>.\*

*Primary Examiner* — Rosemary K Tarca

*Assistant Examiner* — Alison M Ofstun

(74) *Attorney, Agent, or Firm* — Schwegman Lundberg & Woessner, P.A.

(57) **CLAIM**

The ornamental design for an energy storage device, as shown and described.

**DESCRIPTION**

The patent or application file contains at least one drawing executed in color. Copies of this patent or patent application publication with color drawing(s) will be provided by the Office upon request and payment of the necessary fee.

FIG. 1 is a front top perspective view of a first embodiment of an energy storage device showing our new design;

FIG. 2 is a front view thereof;

FIG. 3 is a left-side view thereof;

FIG. 4 is a right-side view thereof;

FIG. 5 is a top view thereof;

FIG. 6 is a bottom view thereof; and

FIG. 7 is a rear top perspective view thereof.

FIG. 8 is a front top perspective view of a second embodiment of an energy storage device;

FIG. 9 is a front view thereof;

FIG. 10 is a left-side view thereof;

FIG. 11 is a right-side view thereof;

FIG. 12 is a top view thereof;

FIG. 13 is a bottom view thereof; and

FIG. 14 is a rear top perspective view thereof.

FIG. 15 is a front top perspective view of a third embodiment of an energy storage device;

FIG. 16 is a front view thereof;

FIG. 17 is a left-side view thereof;

FIG. 18 is a right-side view thereof;

FIG. 19 is a top view thereof;

FIG. 20 is a bottom view thereof; and

FIG. 21 is a rear top perspective view thereof.

FIG. 22 is a front top perspective view of a fourth embodiment of an energy storage device;

FIG. 23 is a front view thereof;

FIG. 24 is a left-side view thereof;

FIG. 25 is a right-side view thereof;

FIG. 26 is a top view thereof;

(Continued)

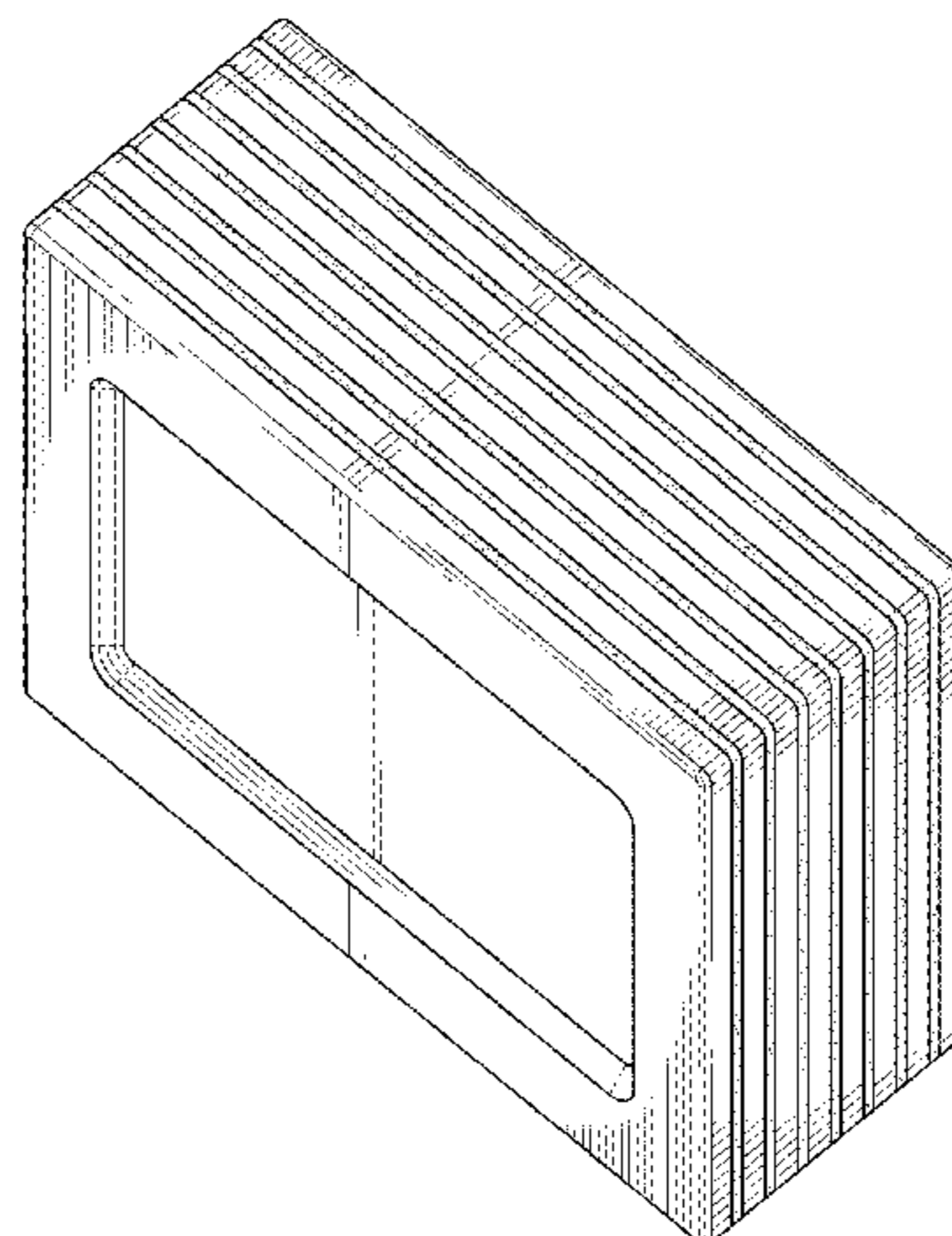


FIG. 27 is a bottom view thereof; and  
 FIG. 28 is a rear top perspective view thereof.  
 FIG. 29 is a front top perspective view of a fifth embodiment of an energy storage device;  
 FIG. 30 is a front view thereof;  
 FIG. 31 is a left-side view thereof;  
 FIG. 32 is a right-side view thereof;  
 FIG. 33 is a top view thereof;  
 FIG. 34 is a bottom view thereof; and  
 FIG. 35 is a rear top perspective view thereof.  
 FIG. 36 is a front top perspective view of a sixth embodiment of an energy storage device;  
 FIG. 37 is a front view thereof;  
 FIG. 38 is a left-side view thereof;  
 FIG. 39 is a right-side view thereof;  
 FIG. 40 is a top view thereof;  
 FIG. 41 is a bottom view thereof; and,  
 FIG. 42 is a rear top perspective view thereof.  
 The broken lines in the figures are illustrative of features that form no part of the claimed design. The stippling indicates contrasting surface appearances.

**1 Claim, 24 Drawing Sheets**  
**(12 of 24 Drawing Sheet(s) Filed in Color)**

(58) **Field of Classification Search**  
 CPC ..... Y02E 60/10; Y02E 60/12; Y02E 60/122;  
 Y02E 60/124; Y02E 60/50; H01M 2/02;

H01M 2/022; H01M 2/0202; H01M 2/0207; H01M 2/0212; H01M 2/1061; H01M 2/1022; H01M 2/1055; H01M 2/1066; H01M 2/105; H01M 2/20; H01M 2/202; H01M 2/204; H01M 2/206; H01M 10/44; H01M 10/46; H01M 10/465; H01M 10/482; H01M 2200/30; H01M 2250/30; H01M 2250/40; H01M 10/4257; H01M 10/0436; H01M 10/48; H02J 7/00; H02J 7/0003; H02J 7/0011; H02J 7/0013; H02J 7/0054; H02J 7/0055; H02J 7/0057; H02J 2007/0062

See application file for complete search history.

(56)

**References Cited**

U.S. PATENT DOCUMENTS

D610,083	S *	2/2010	Chen .....	D13/104
D623,124	S *	9/2010	Nomi .....	D13/103
D724,531	S *	3/2015	Higashi .....	D13/103
D728,467	S *	5/2015	Hasbrook .....	D13/103
D733,043	S *	6/2015	Hasbrook .....	D13/103
D733,051	S *	6/2015	Wang .....	D13/103
D768,073	S *	10/2016	Kim .....	D13/103
D772,809	S *	11/2016	Walker .....	D13/103
2015/0364740	A1 *	12/2015	De Arroyabe .....	H01M 2/24 429/90
2017/0077466	A1 *	3/2017	Choi .....	H01M 2/1077
2017/0123013	A1 *	5/2017	Tao .....	G01R 31/3662

\* cited by examiner

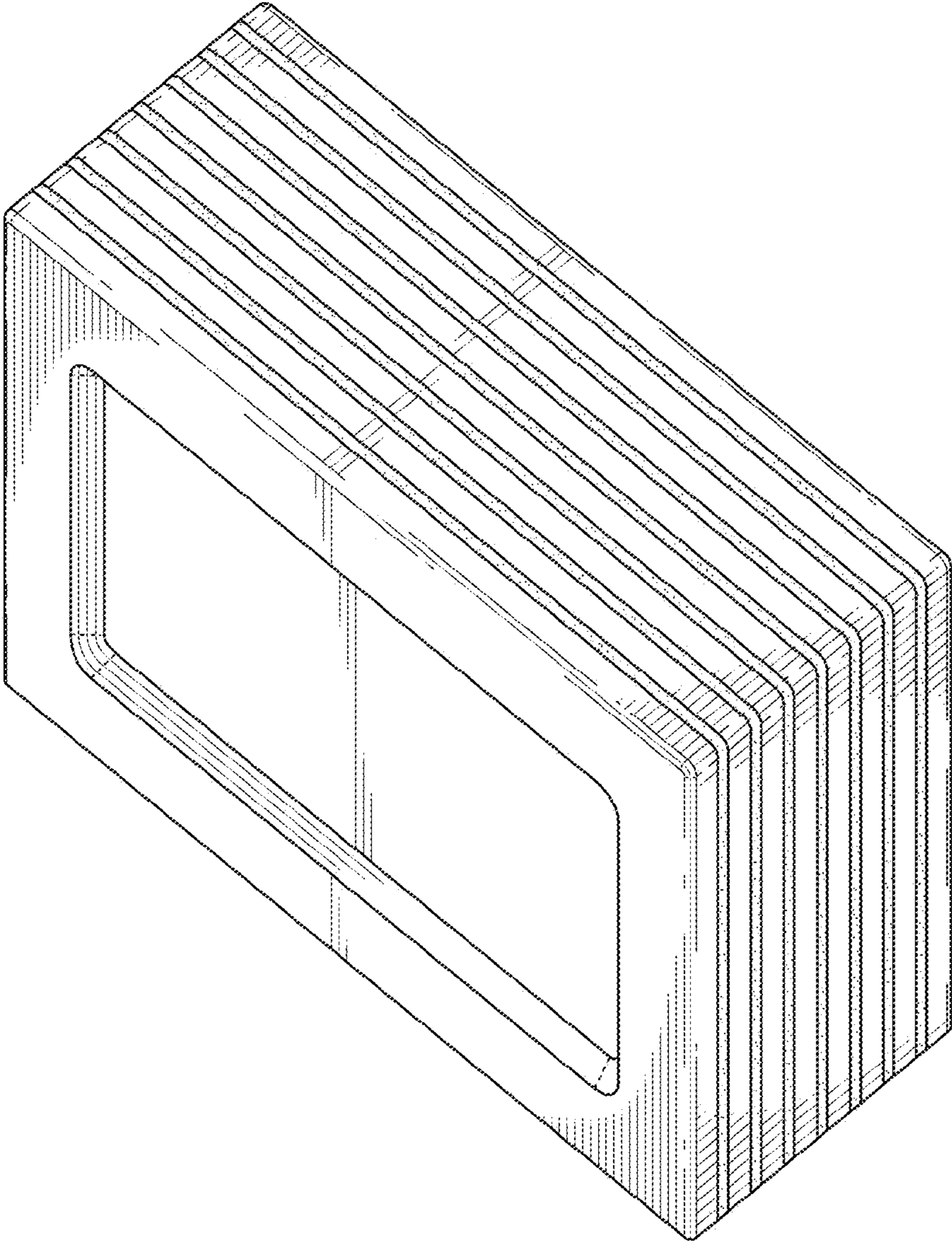


FIG. 1

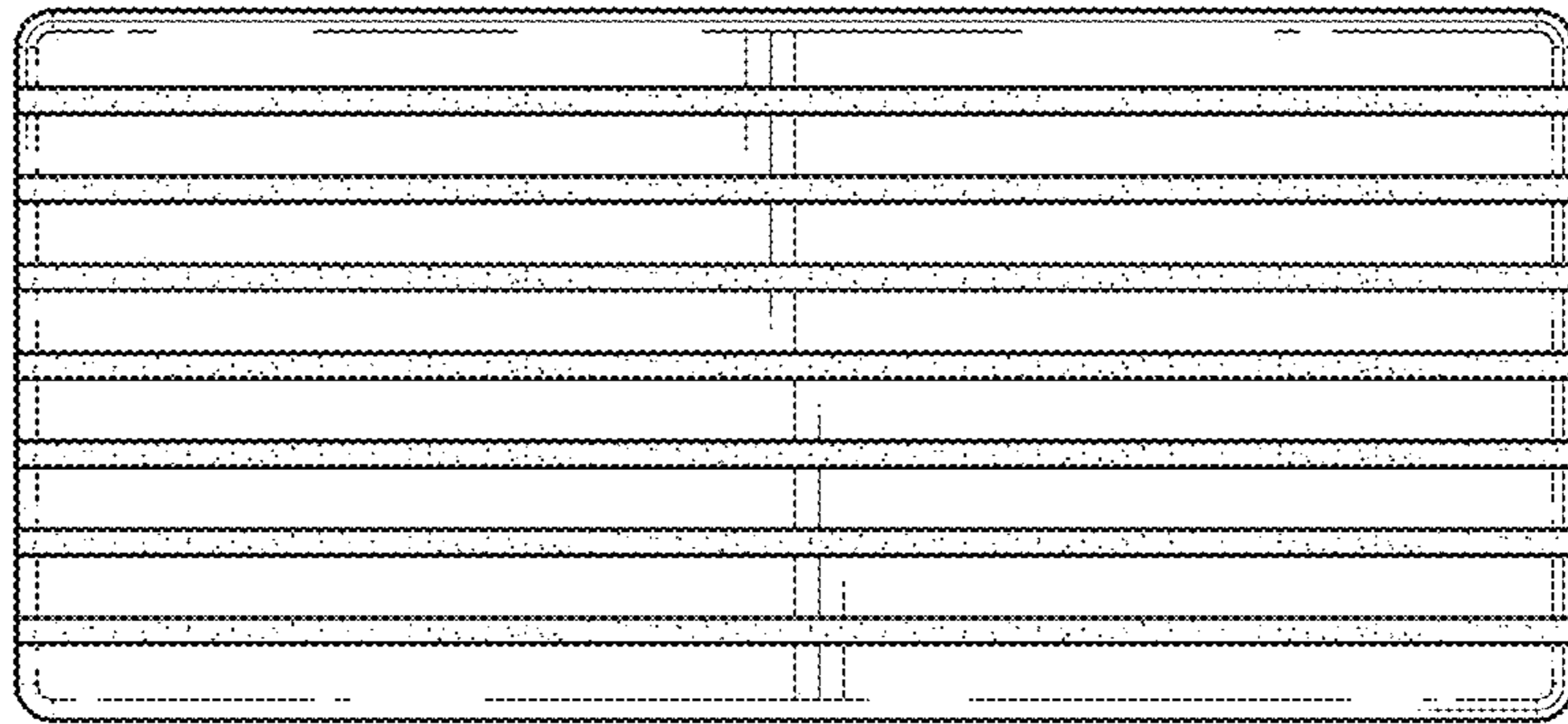


FIG. 3

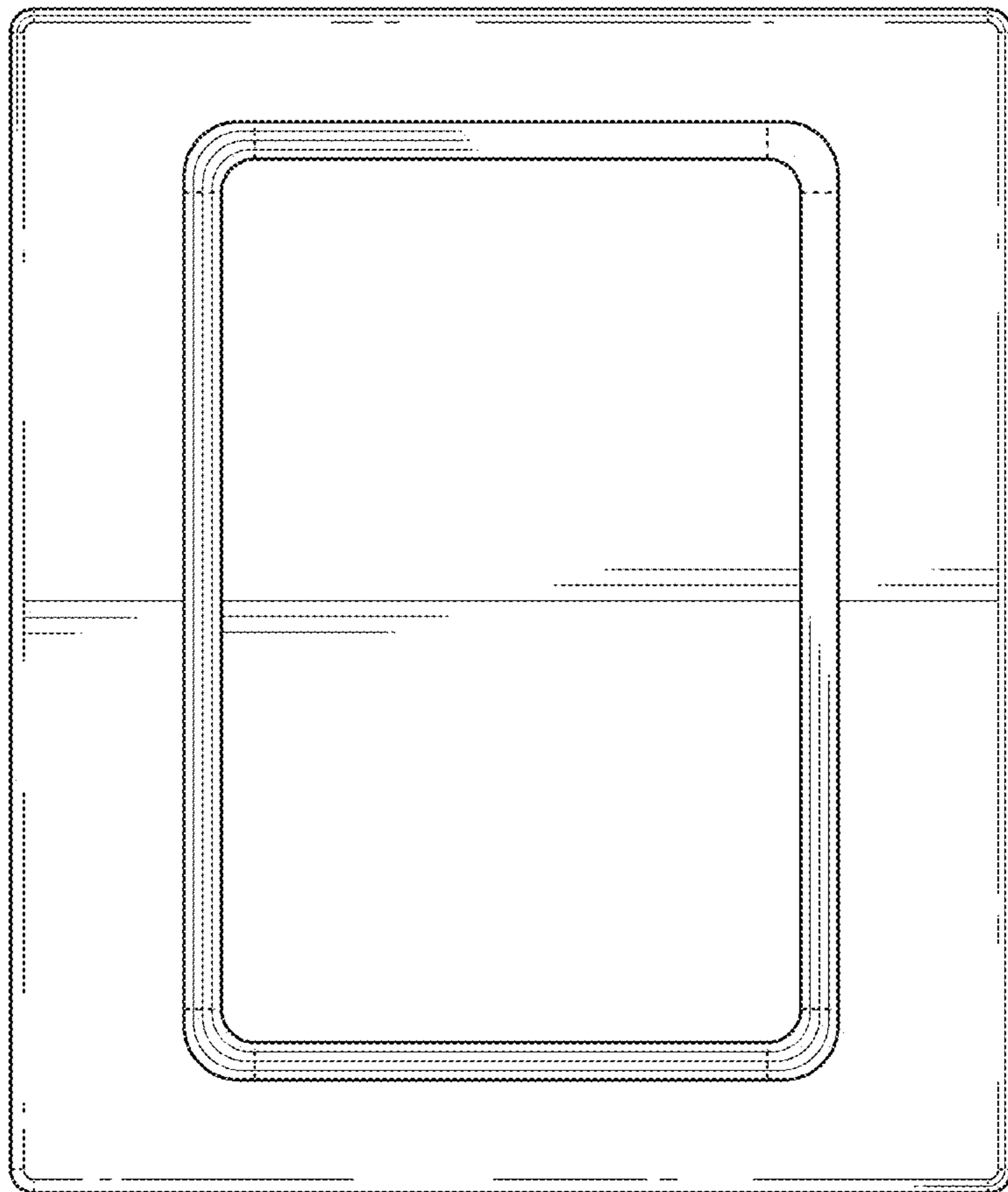


FIG. 2

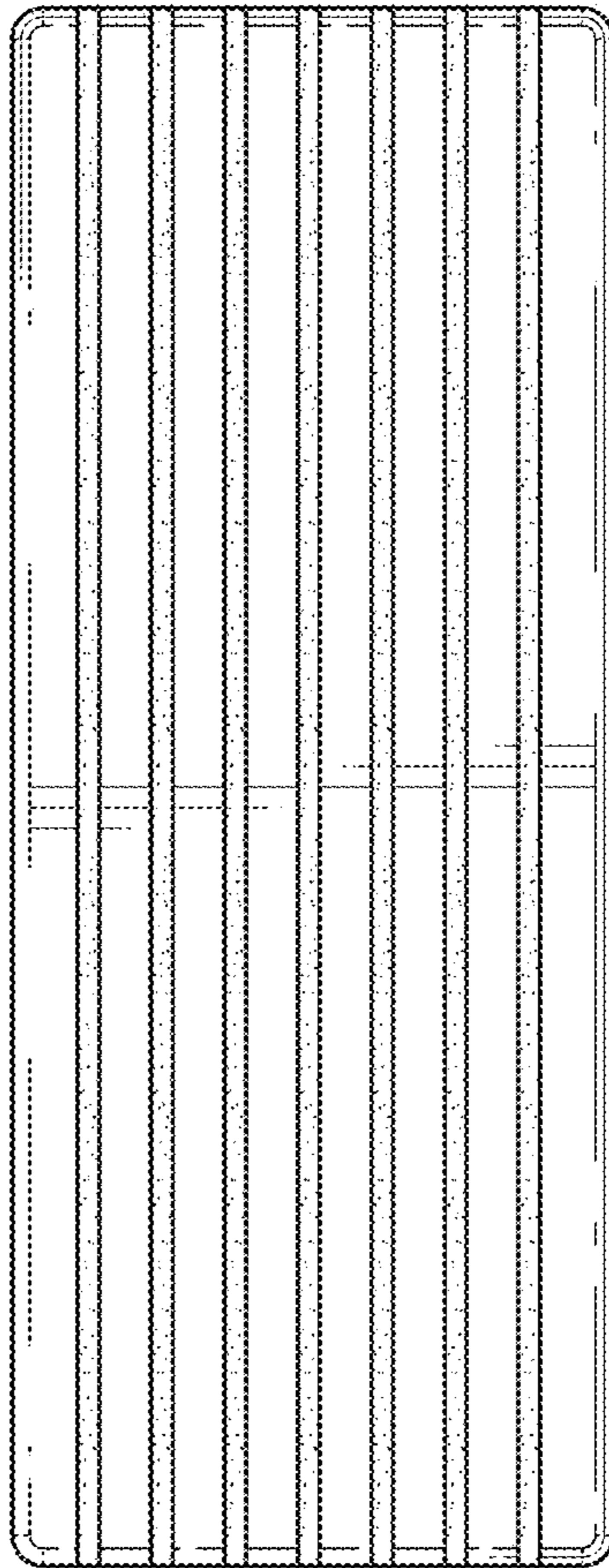


FIG. 5

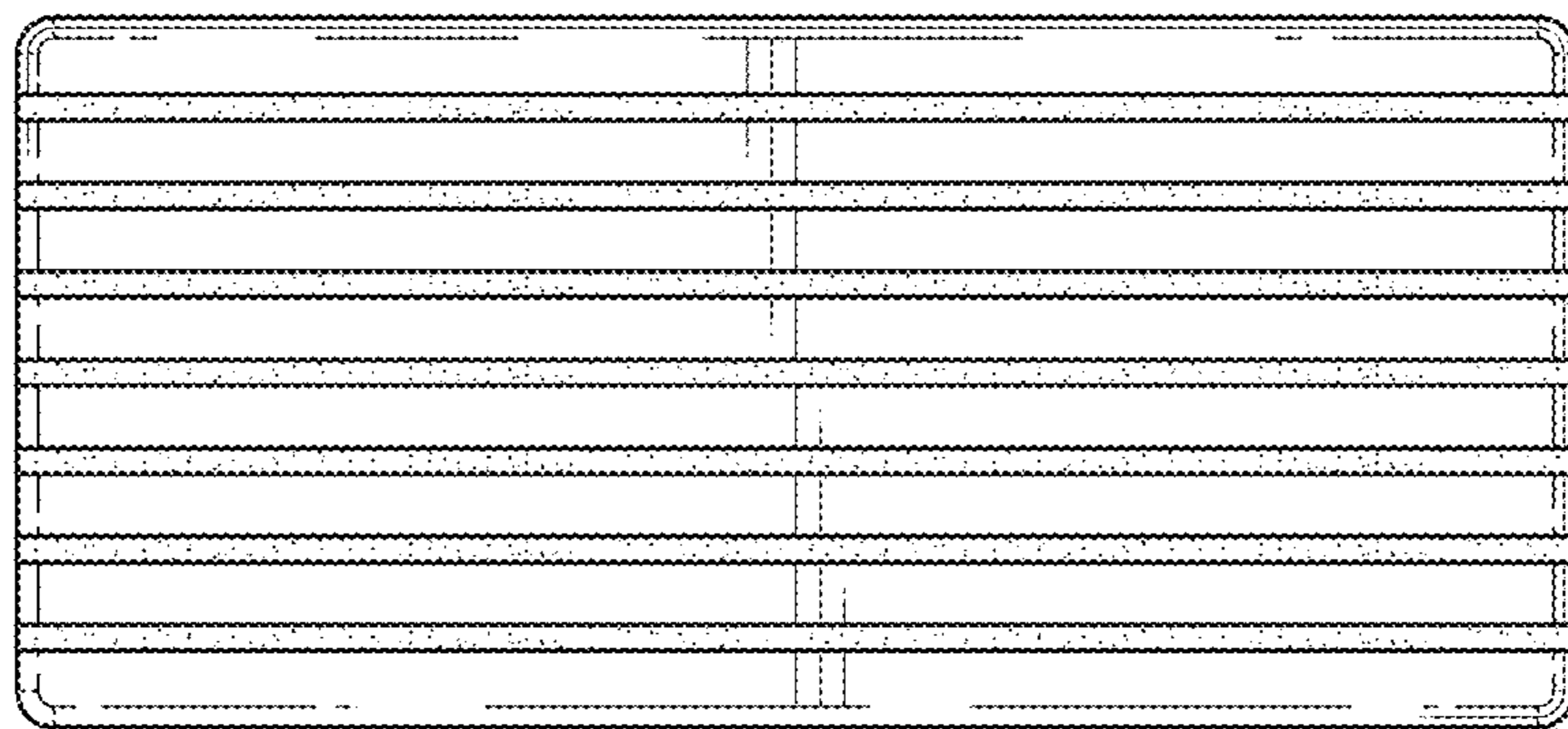


FIG. 4

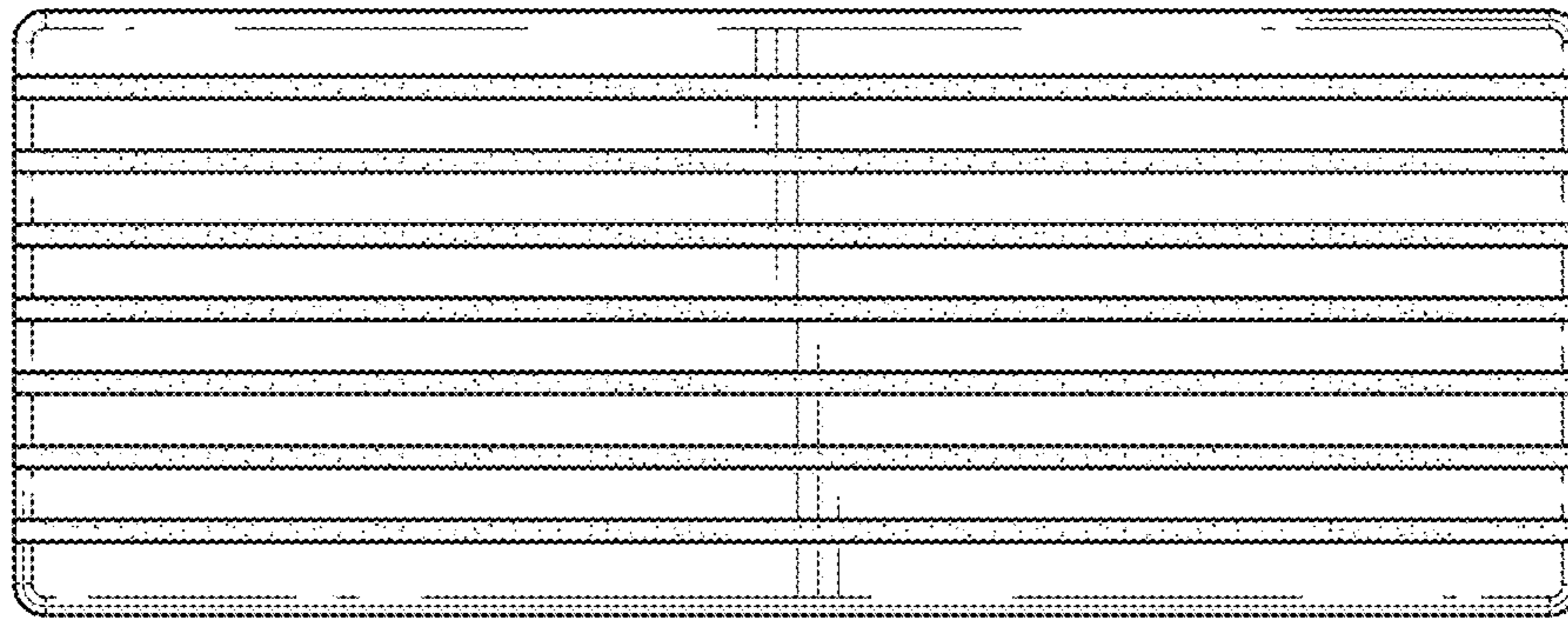


FIG. 6

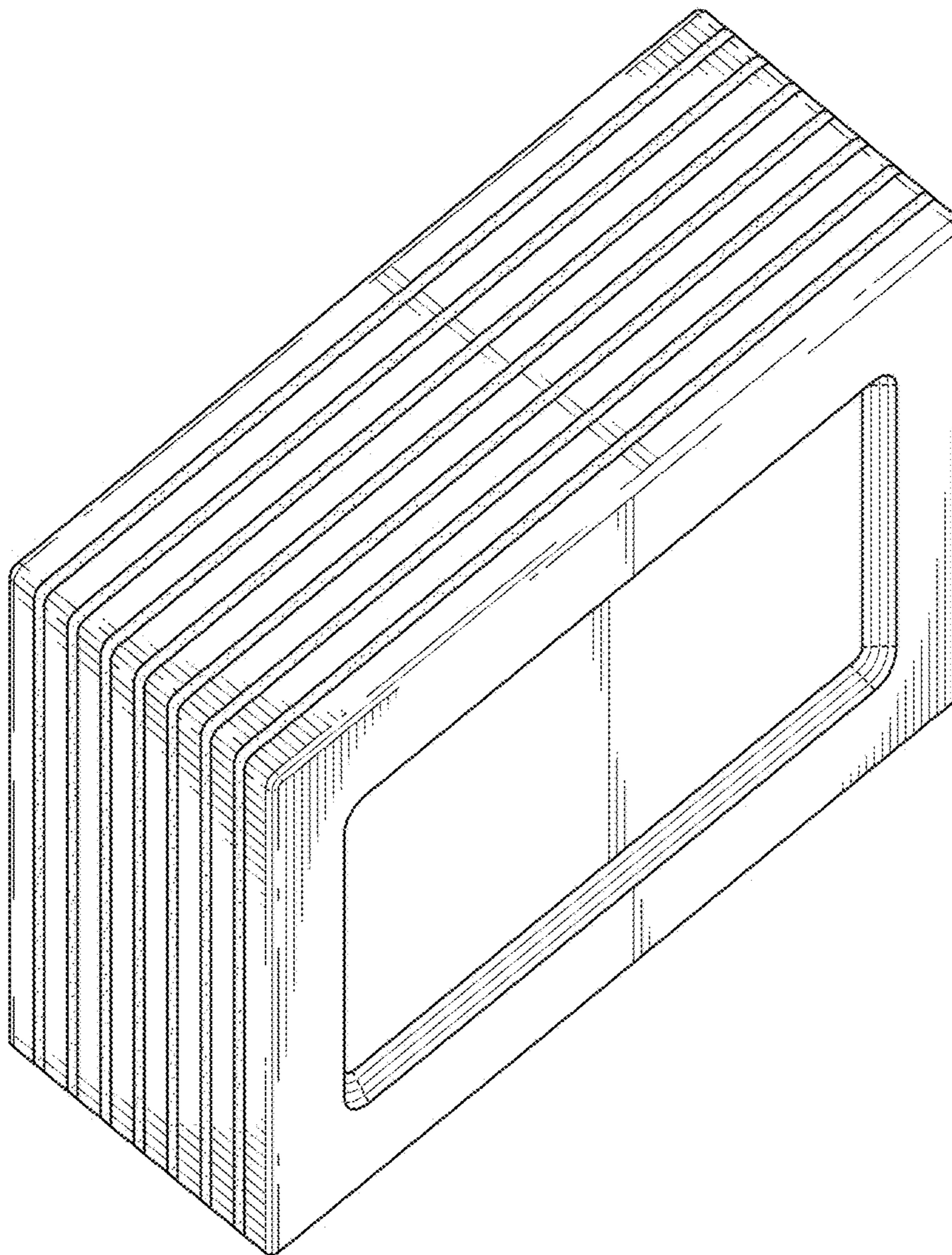


FIG. 7

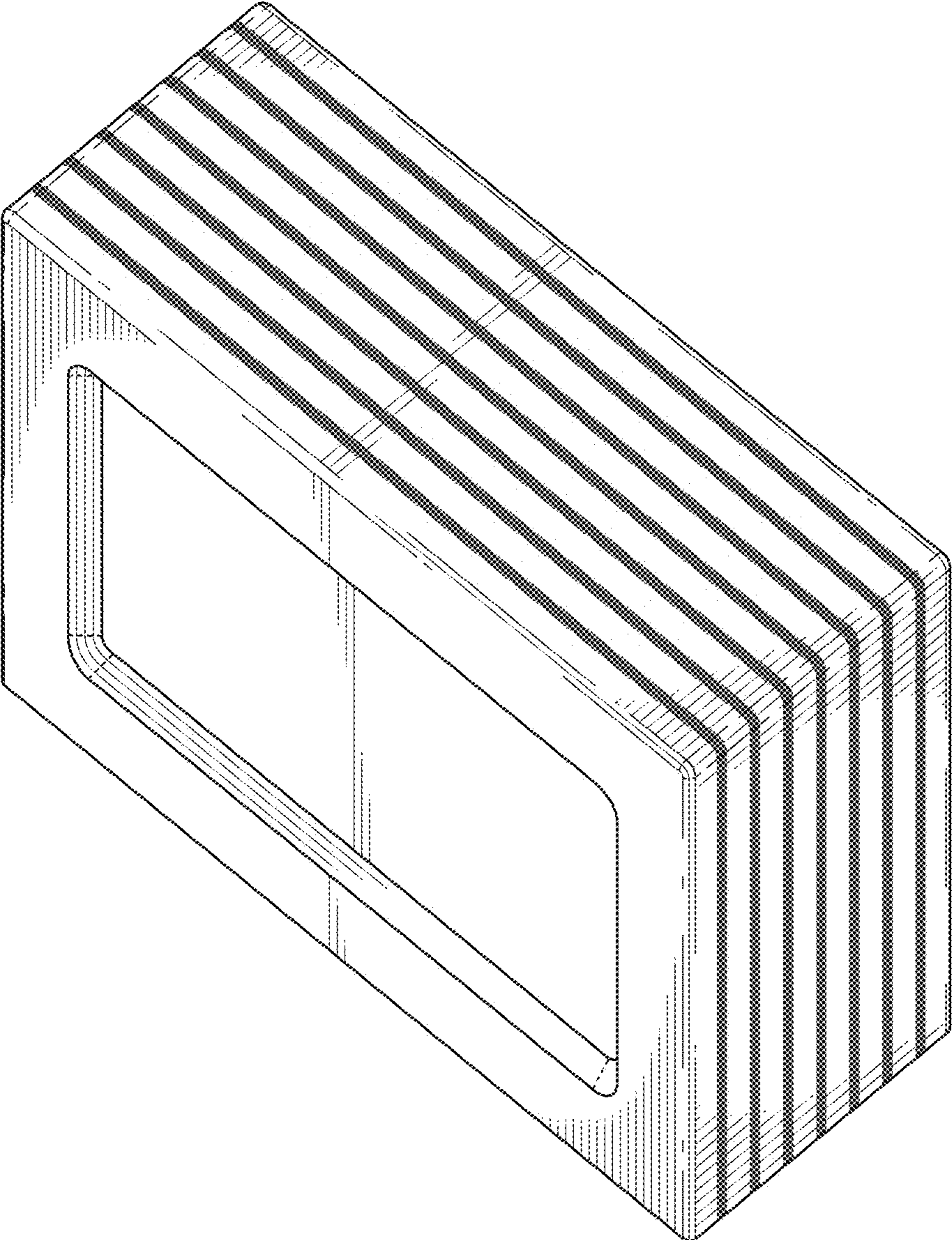


FIG. 8

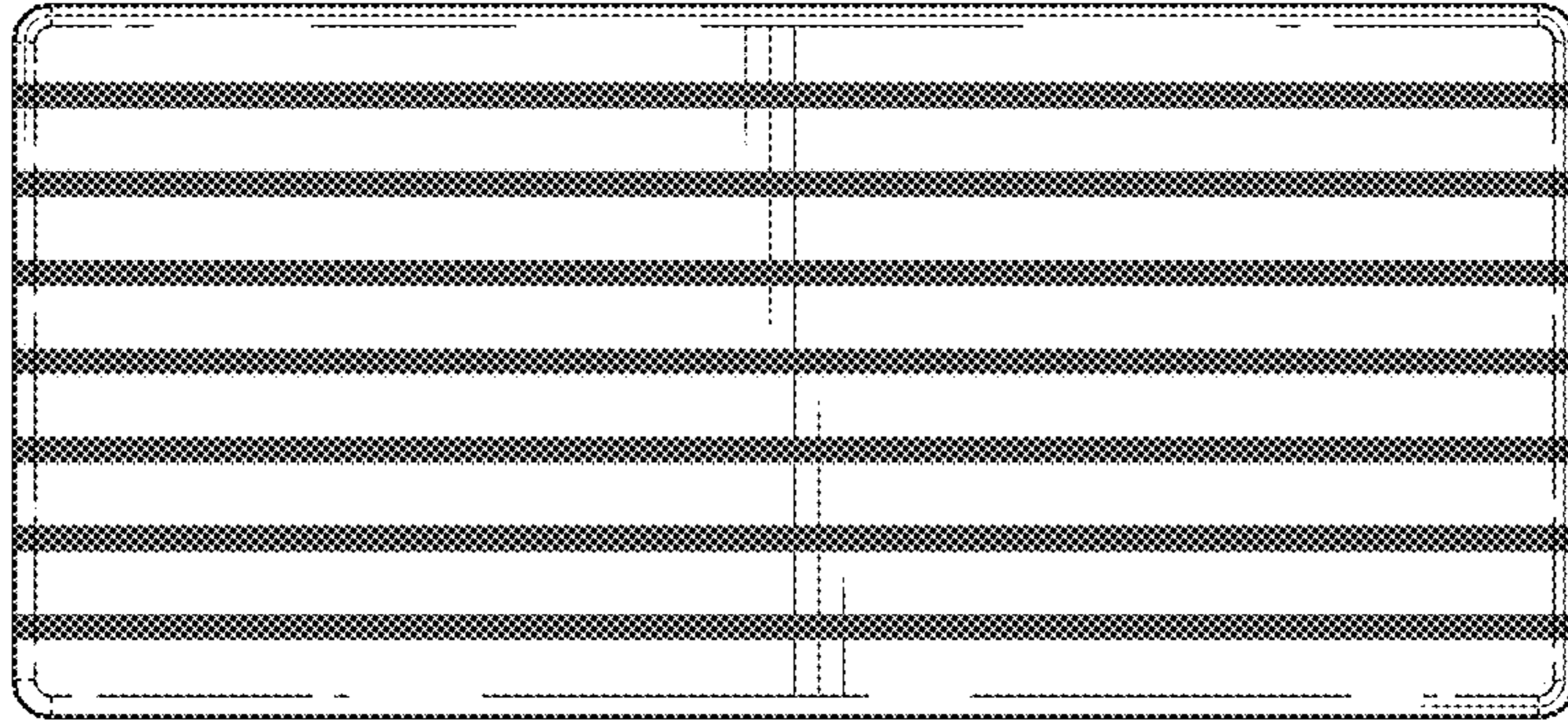


FIG. 10

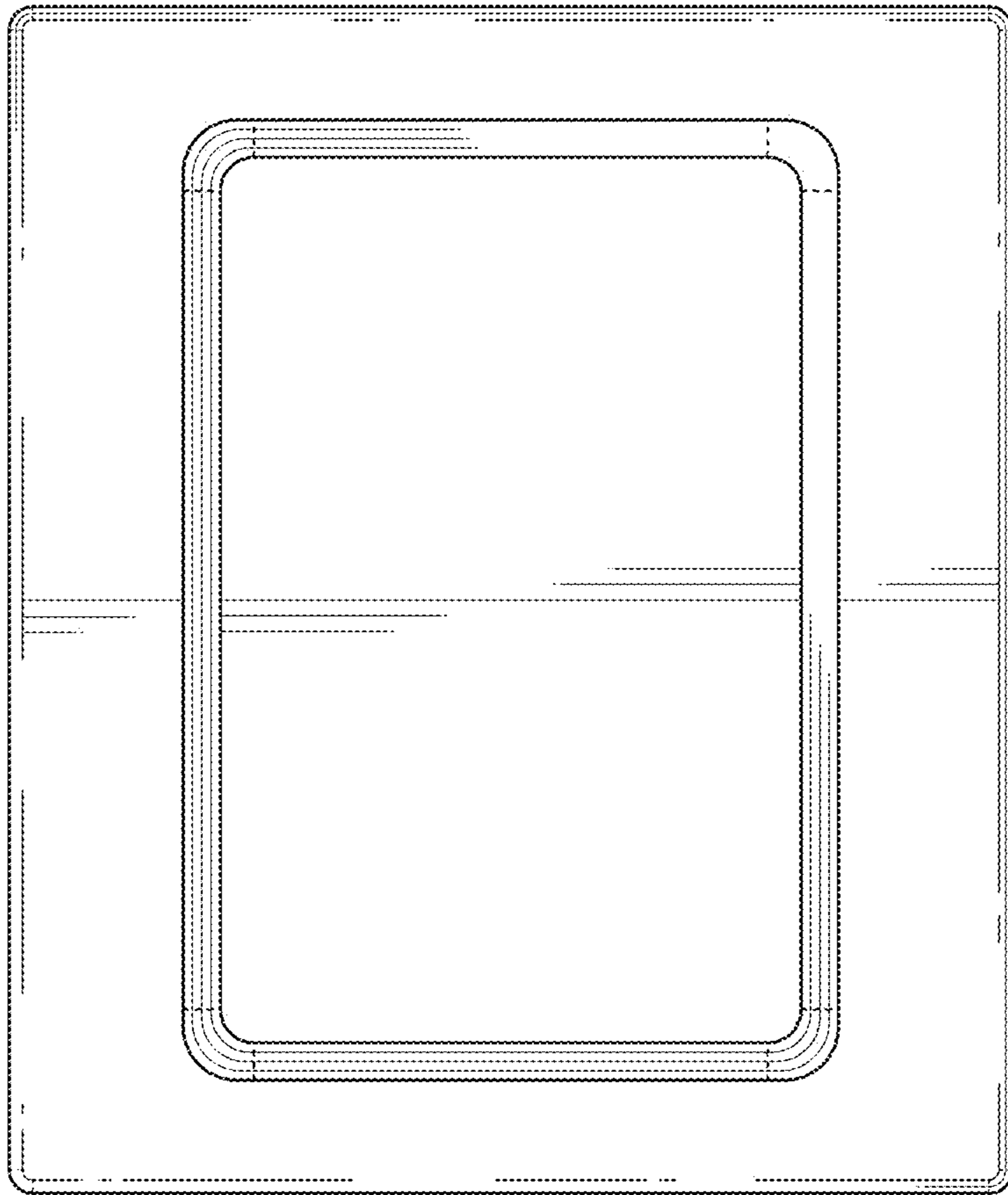


FIG. 9



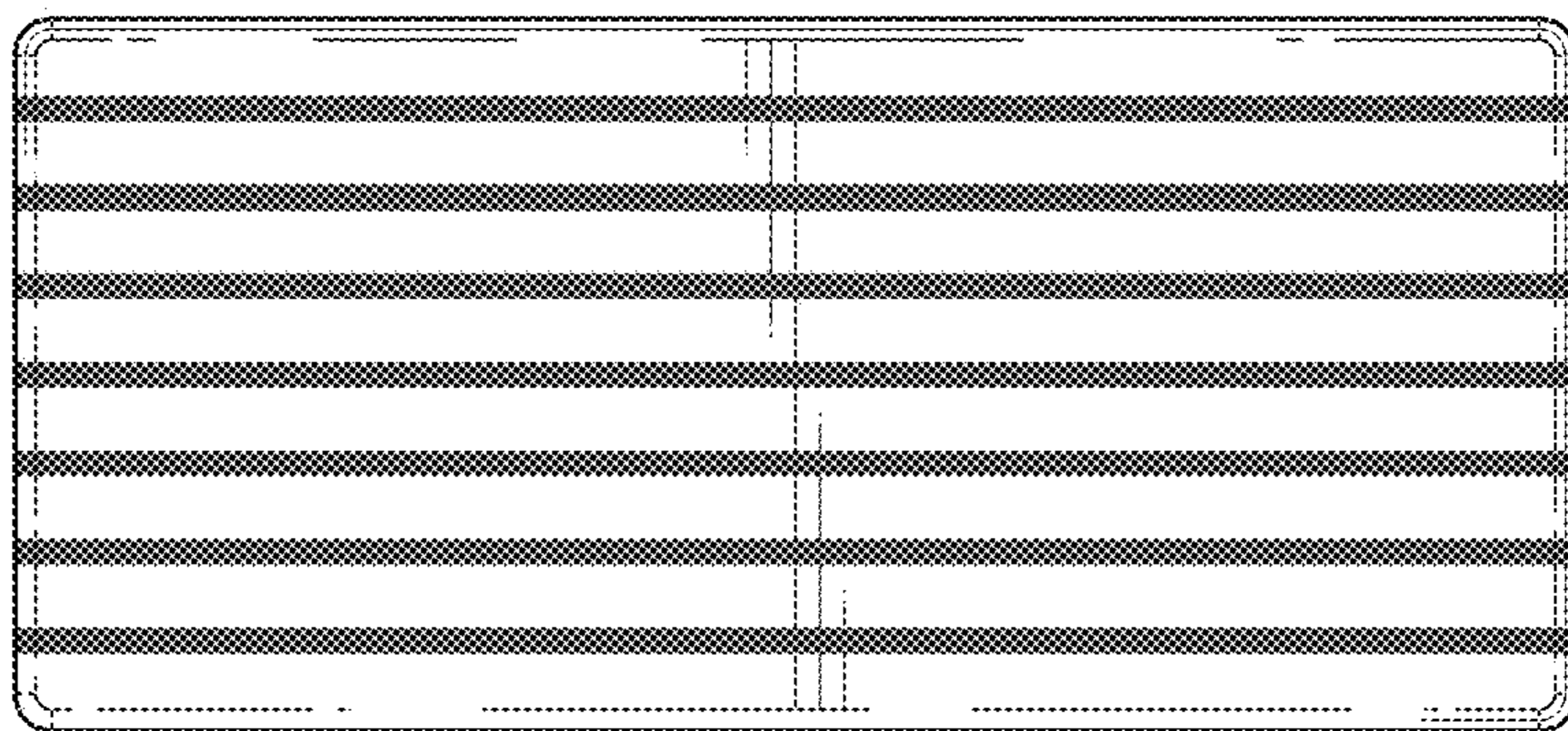


FIG. 11

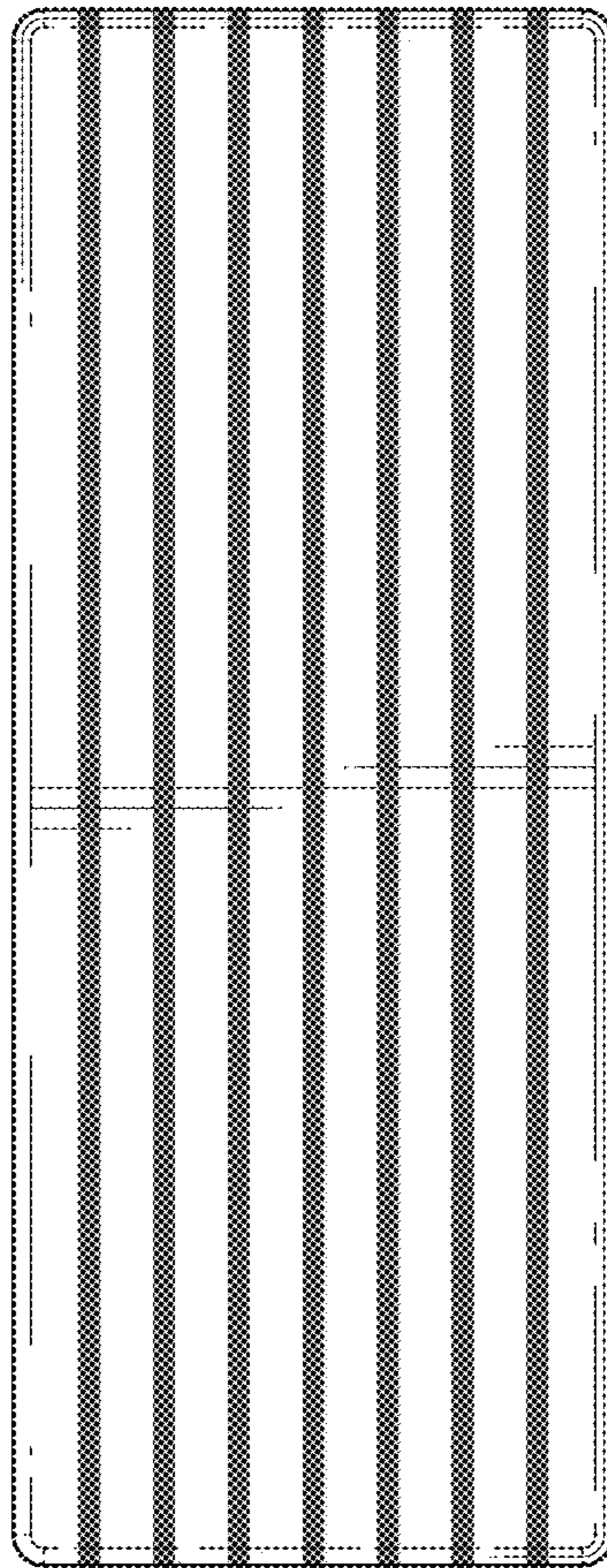


FIG. 12

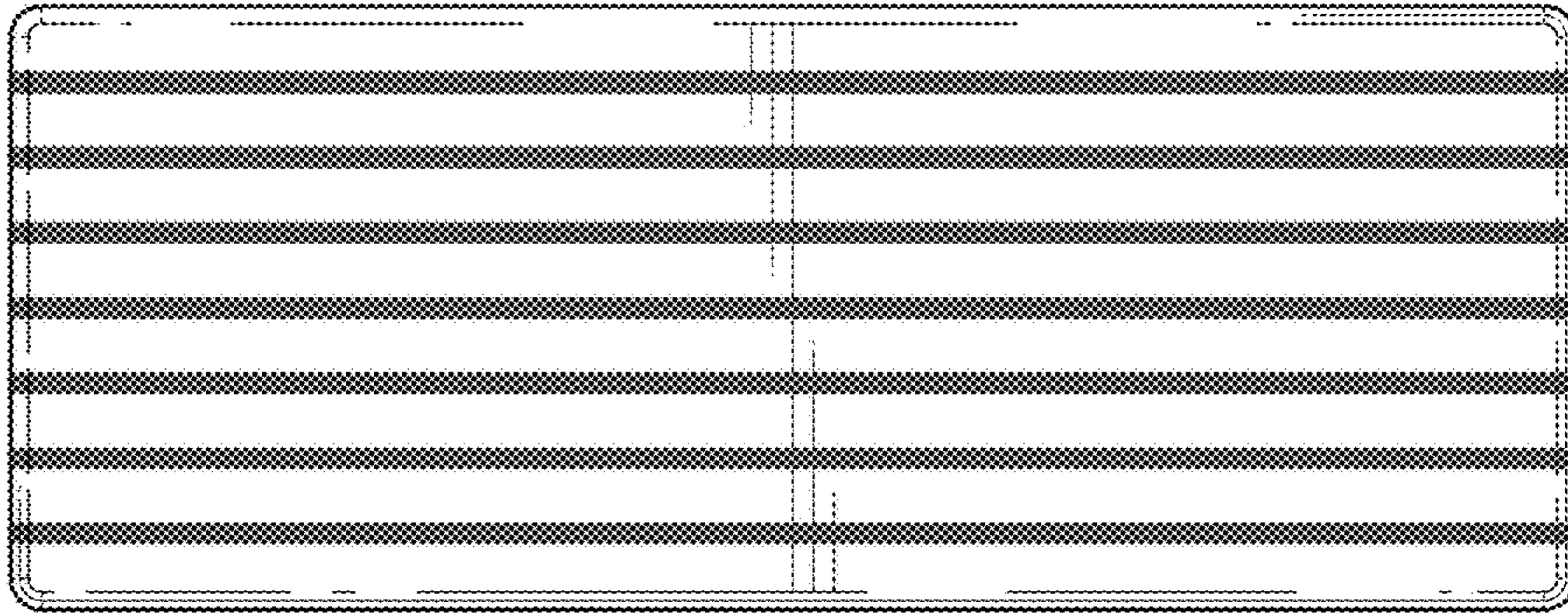


FIG. 13

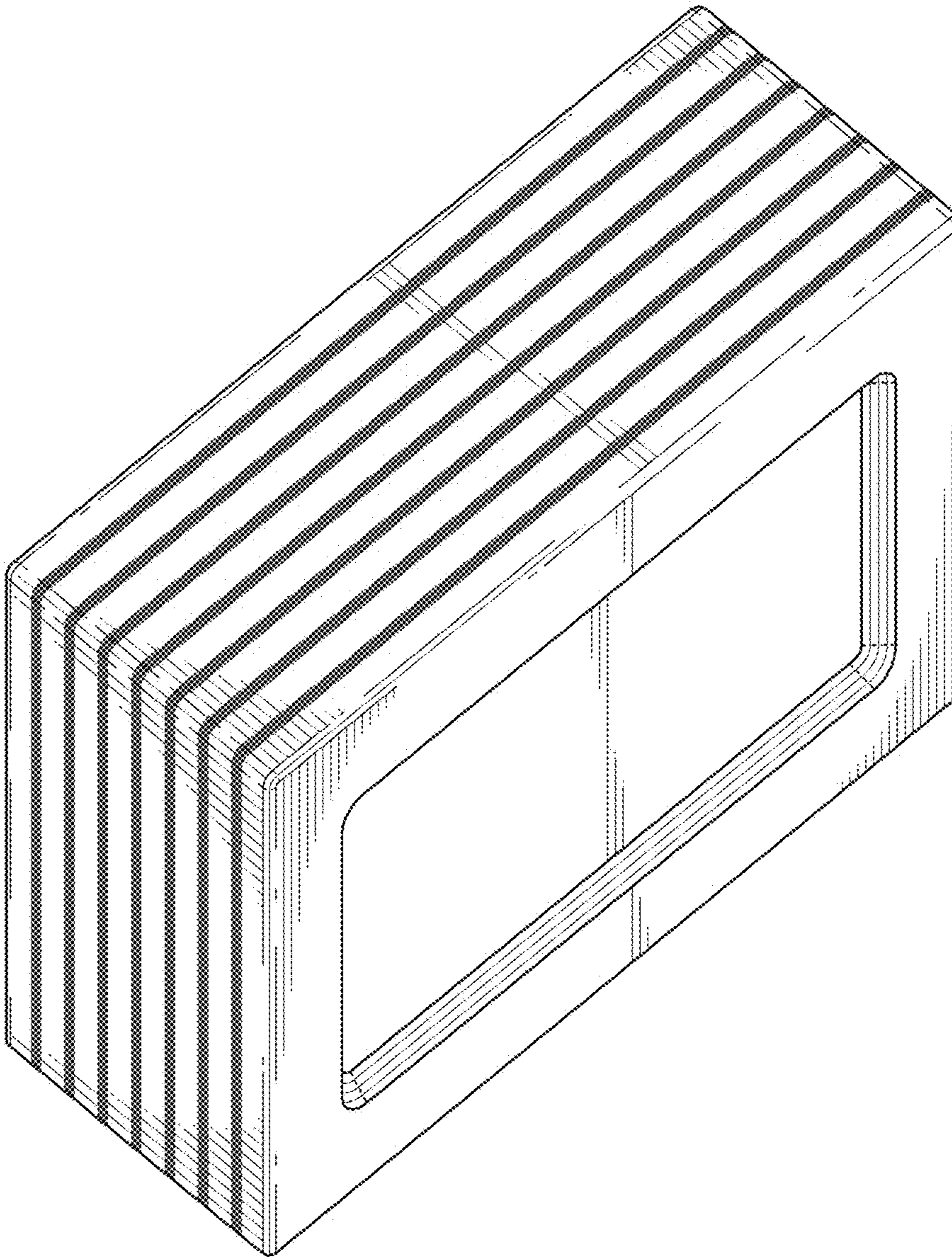


FIG. 14

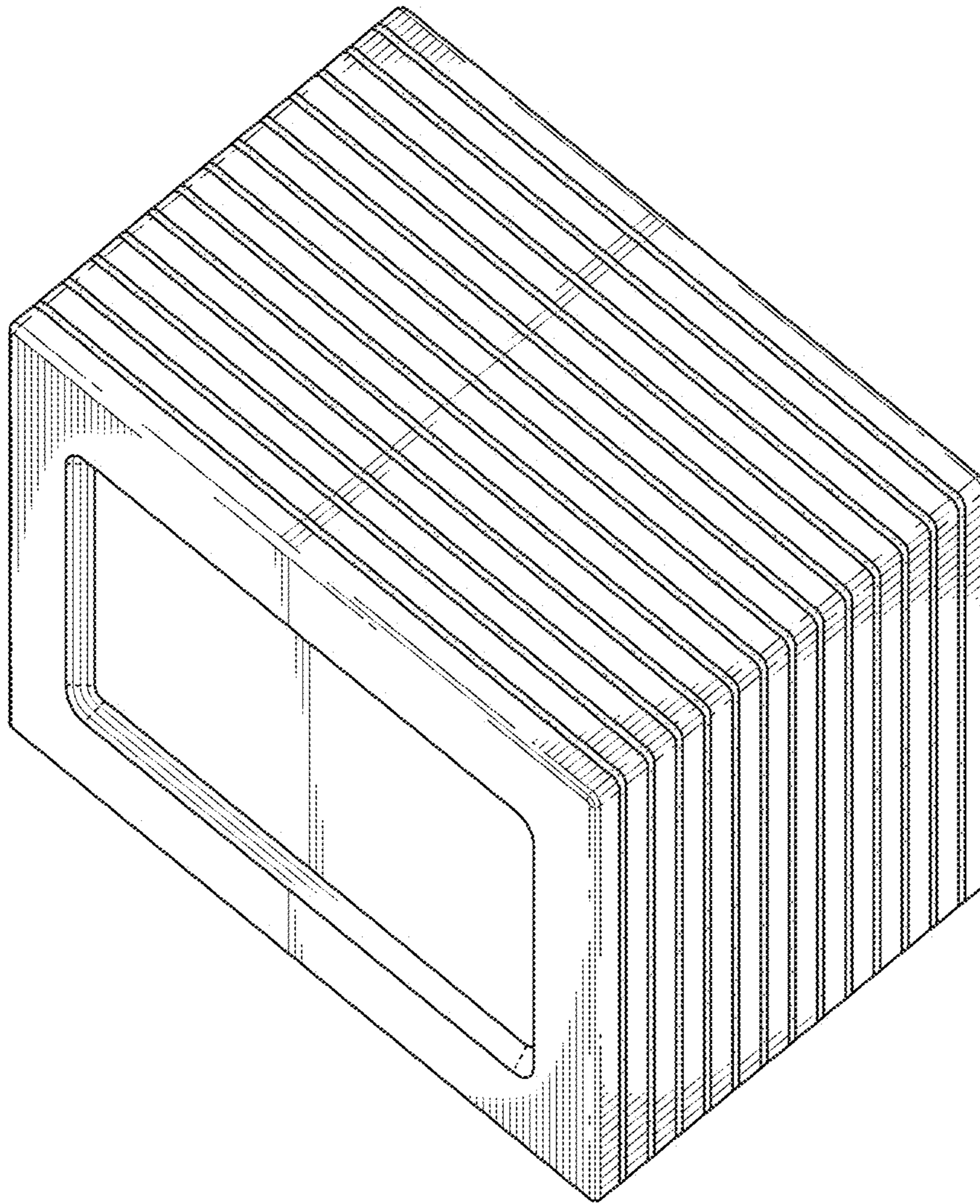


FIG. 15

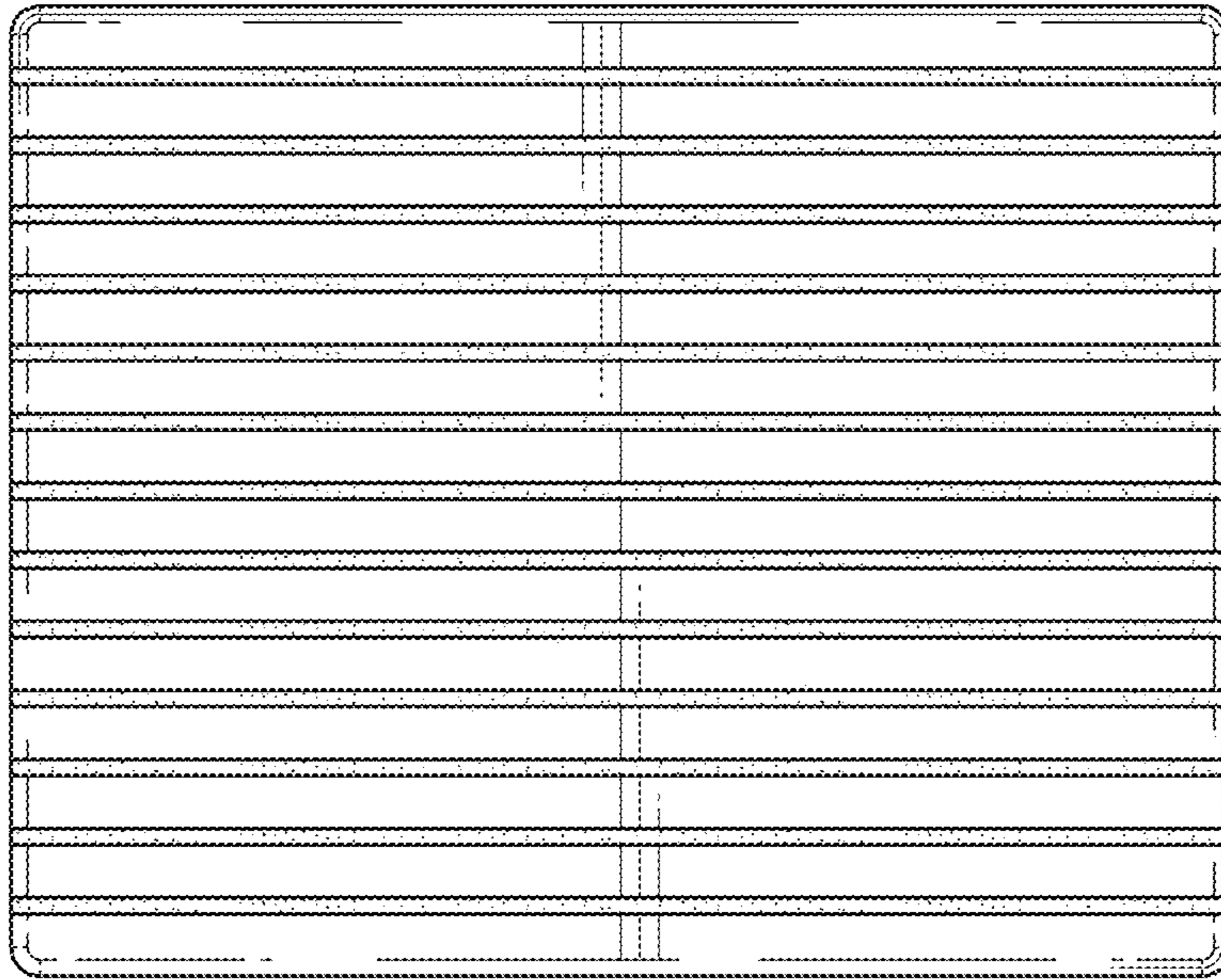


FIG. 17

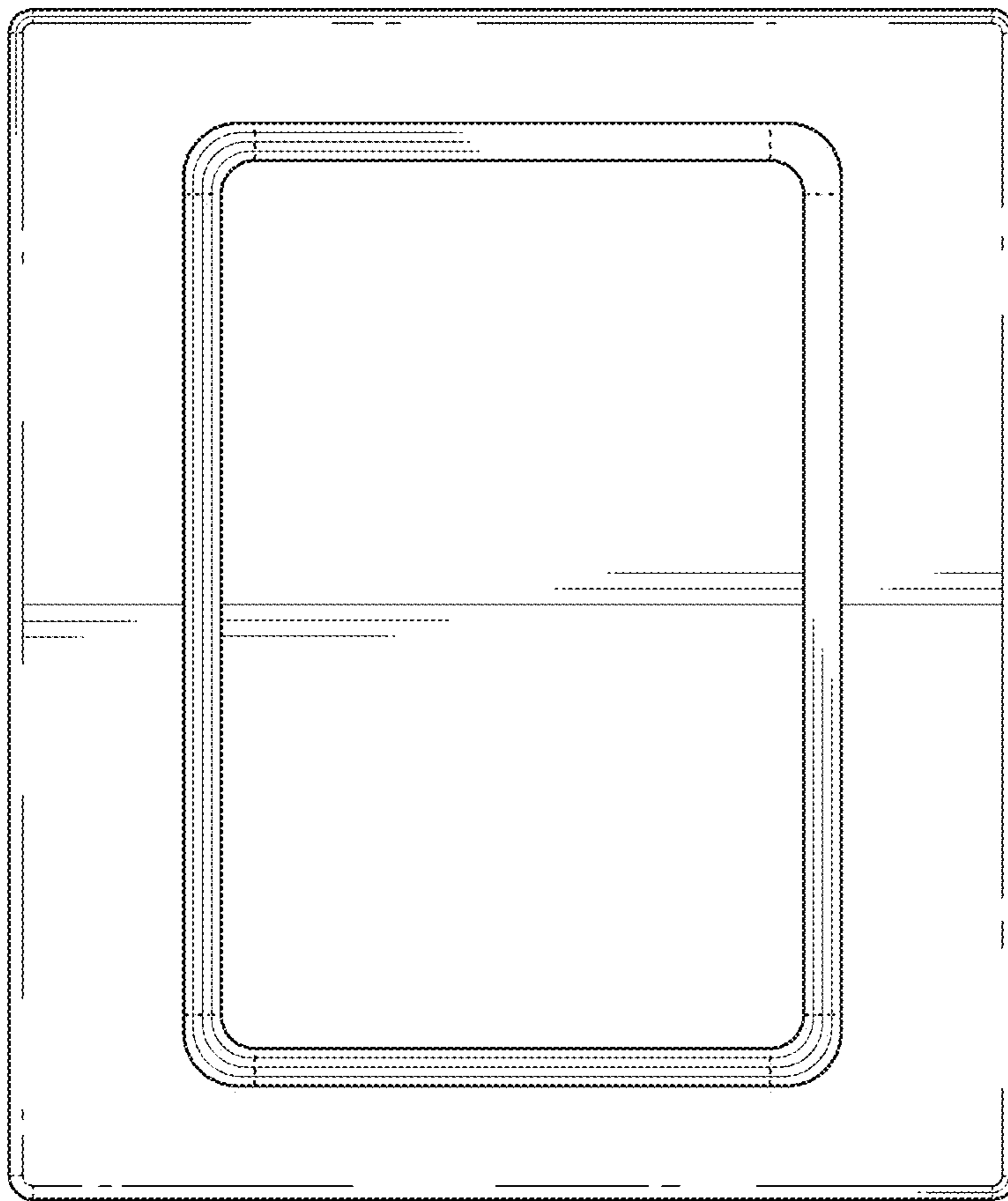


FIG. 16

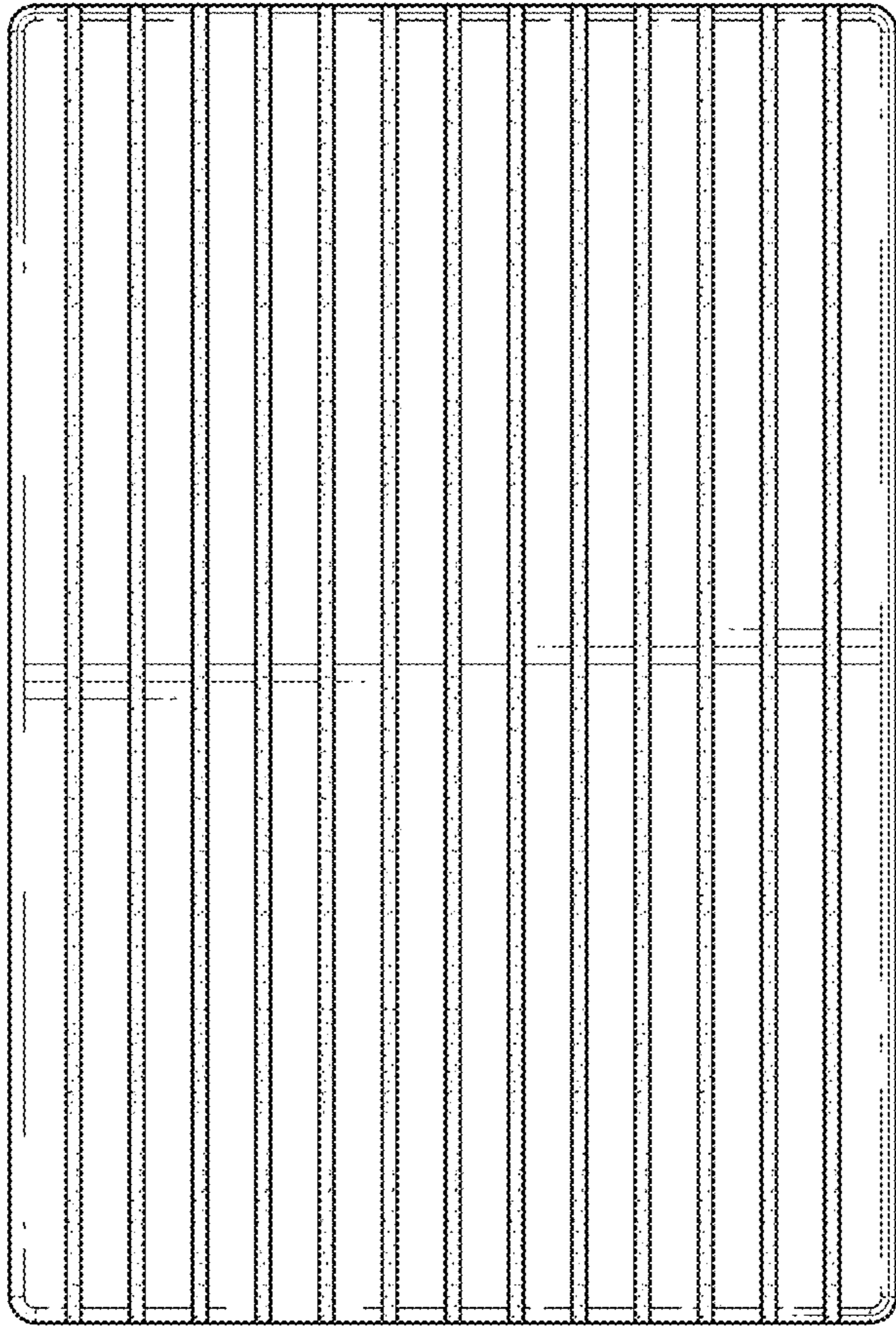


FIG. 19

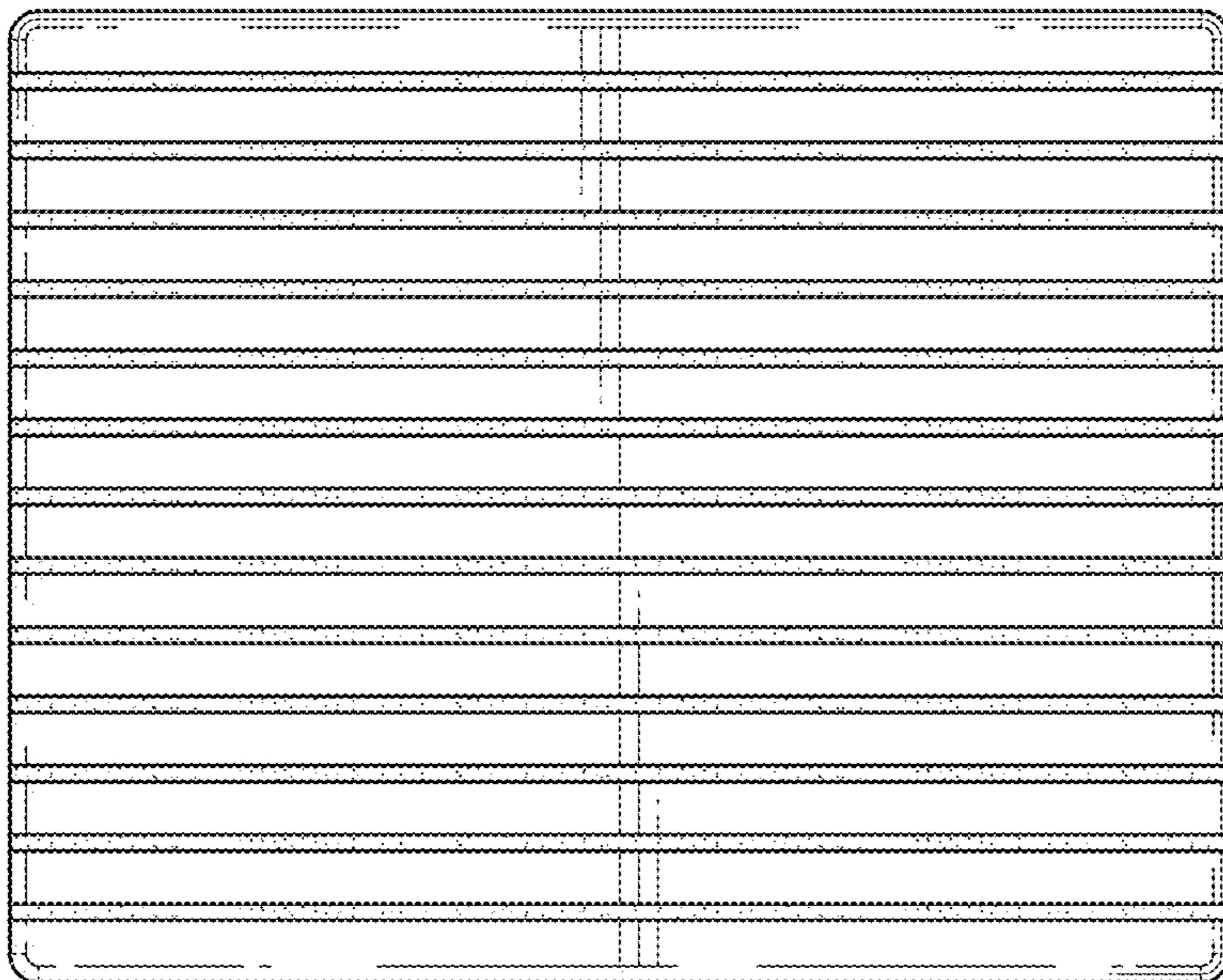


FIG. 18

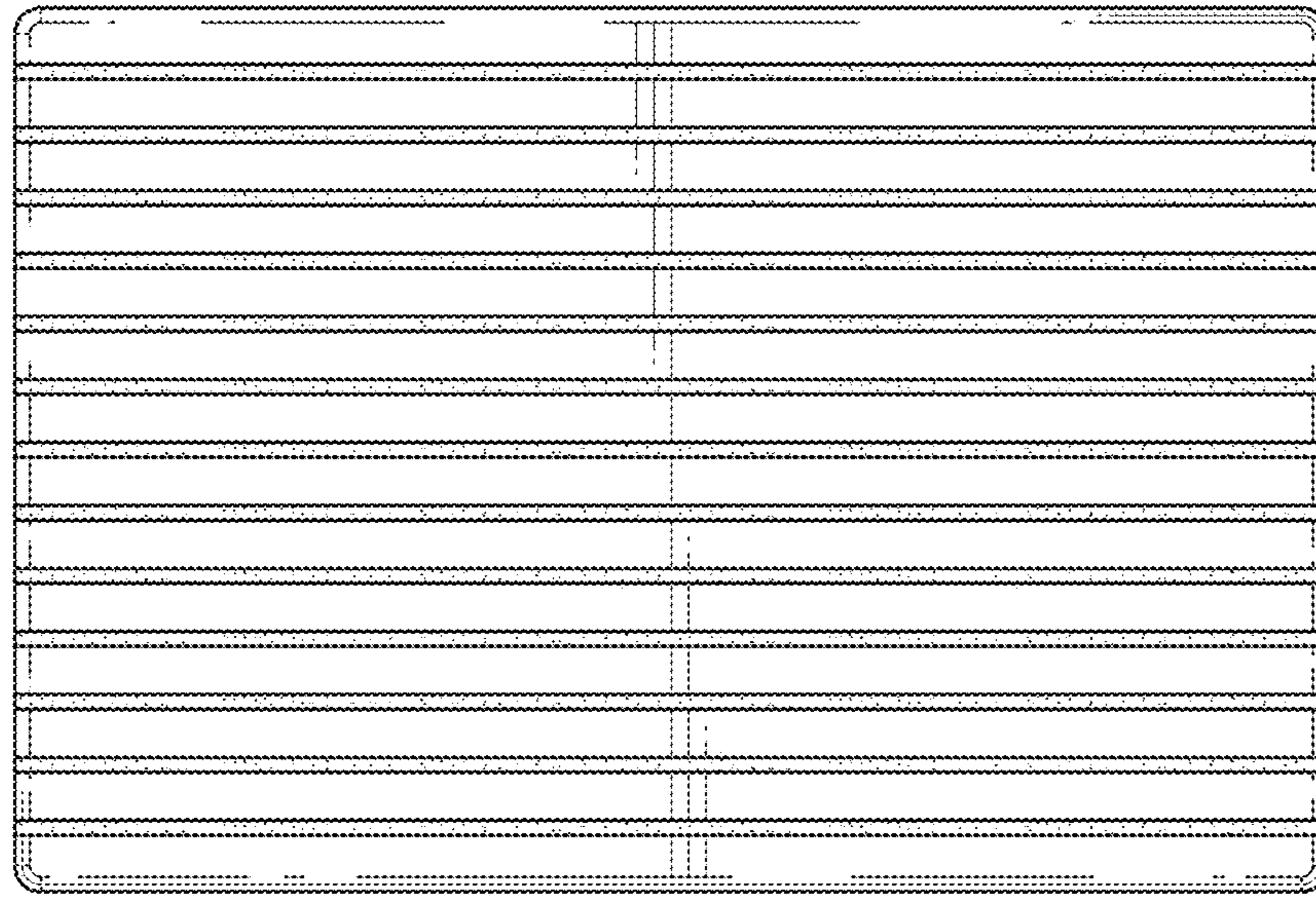


FIG. 20

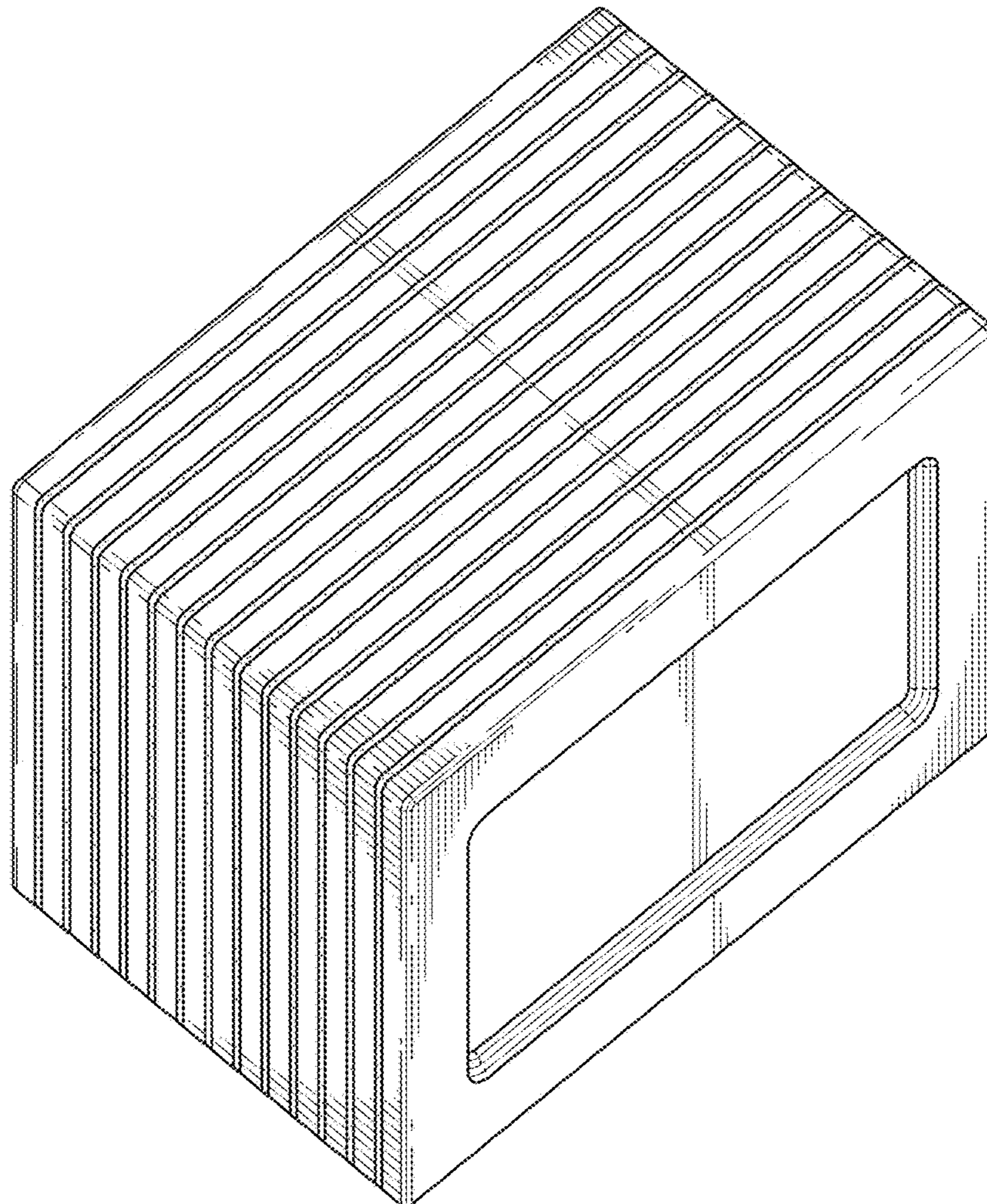


FIG. 21

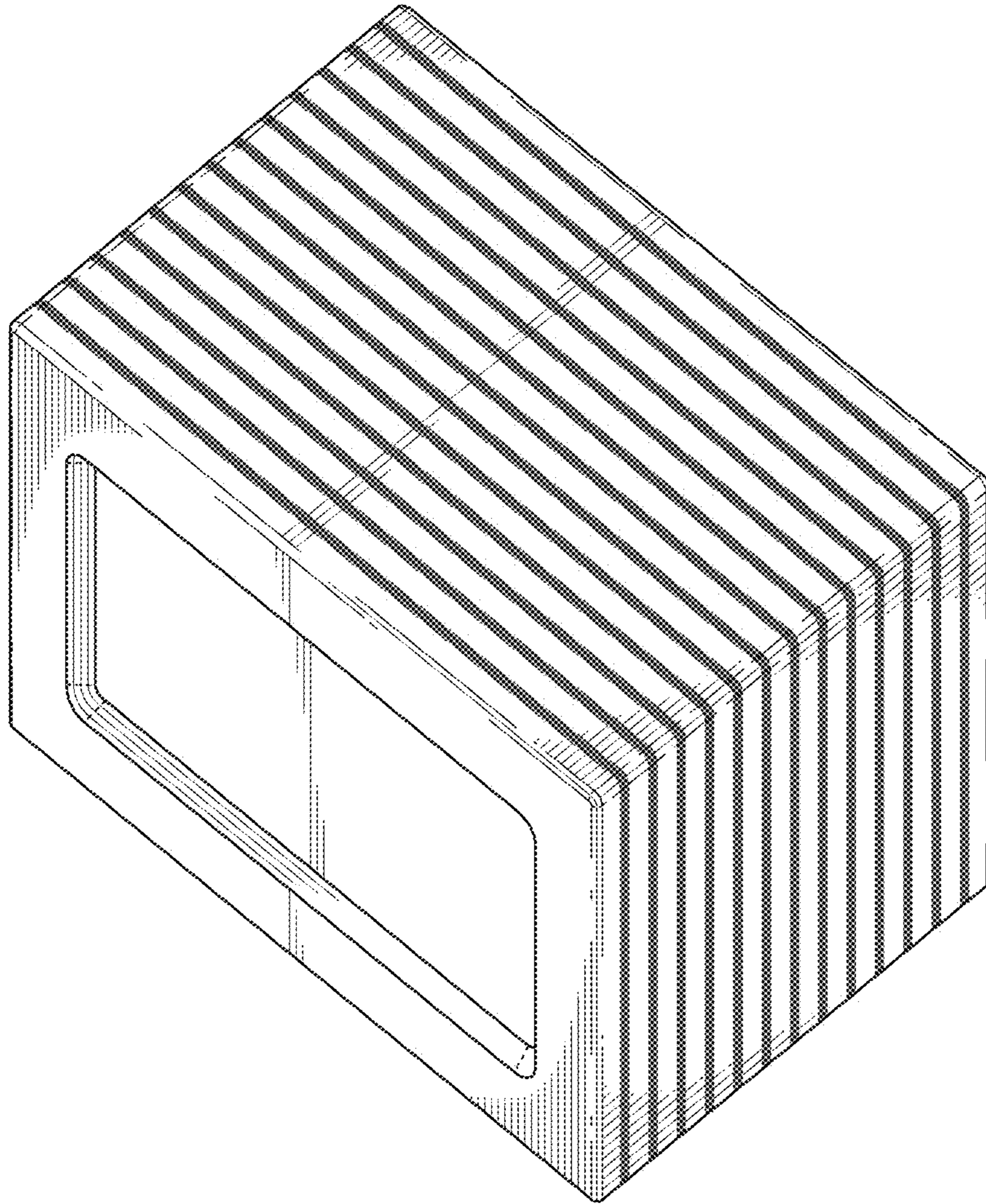


FIG. 22

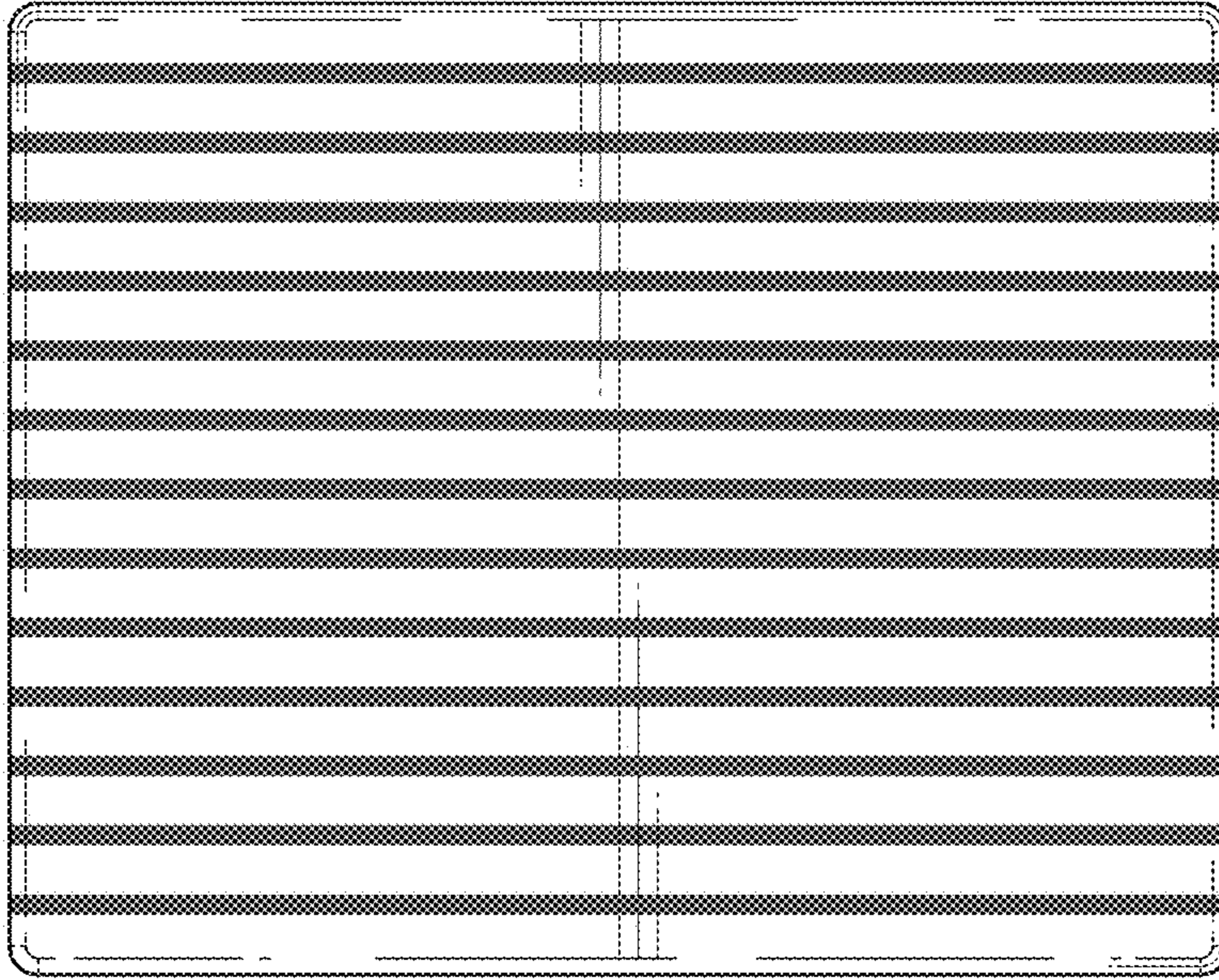


FIG. 24

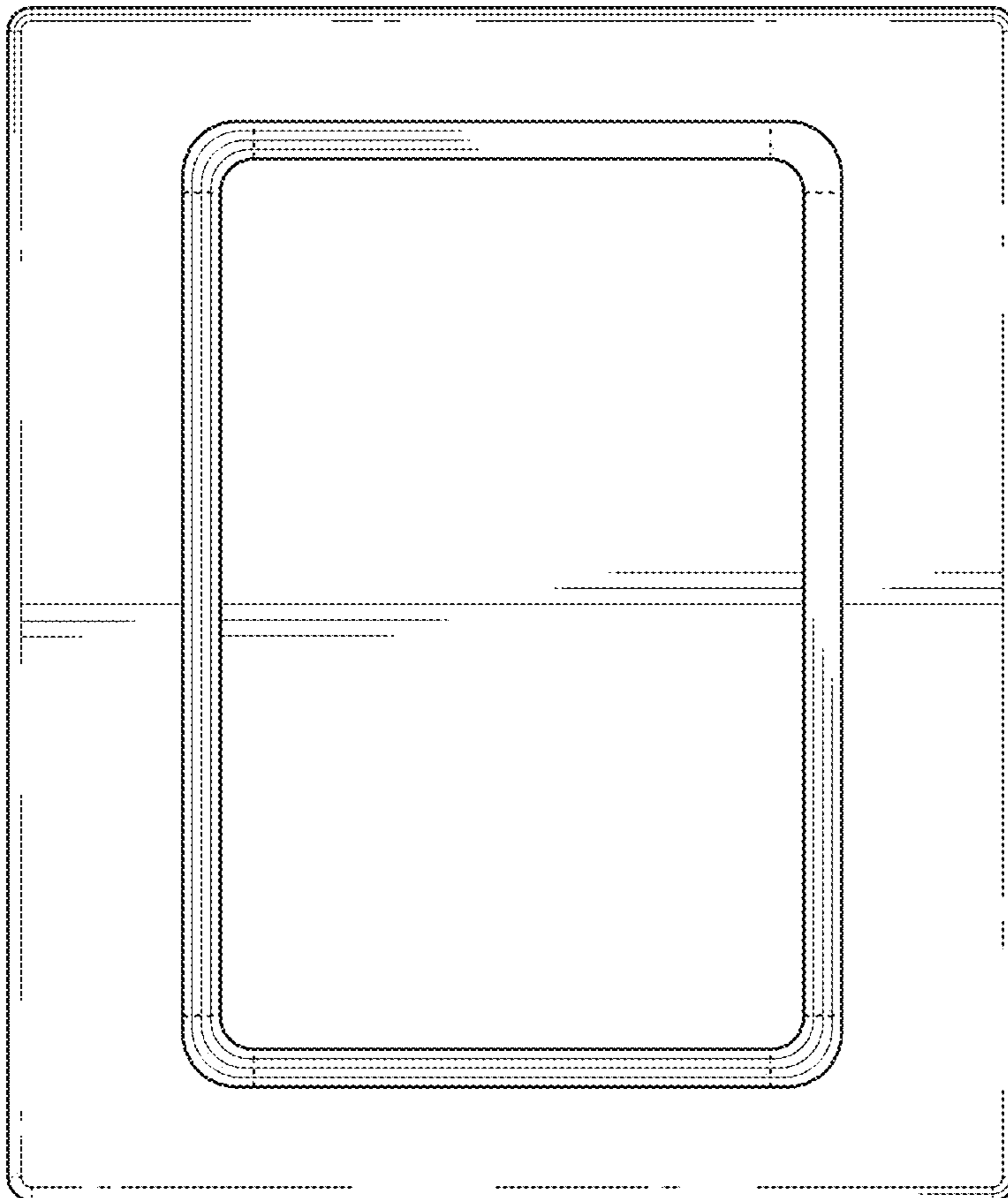


FIG. 23



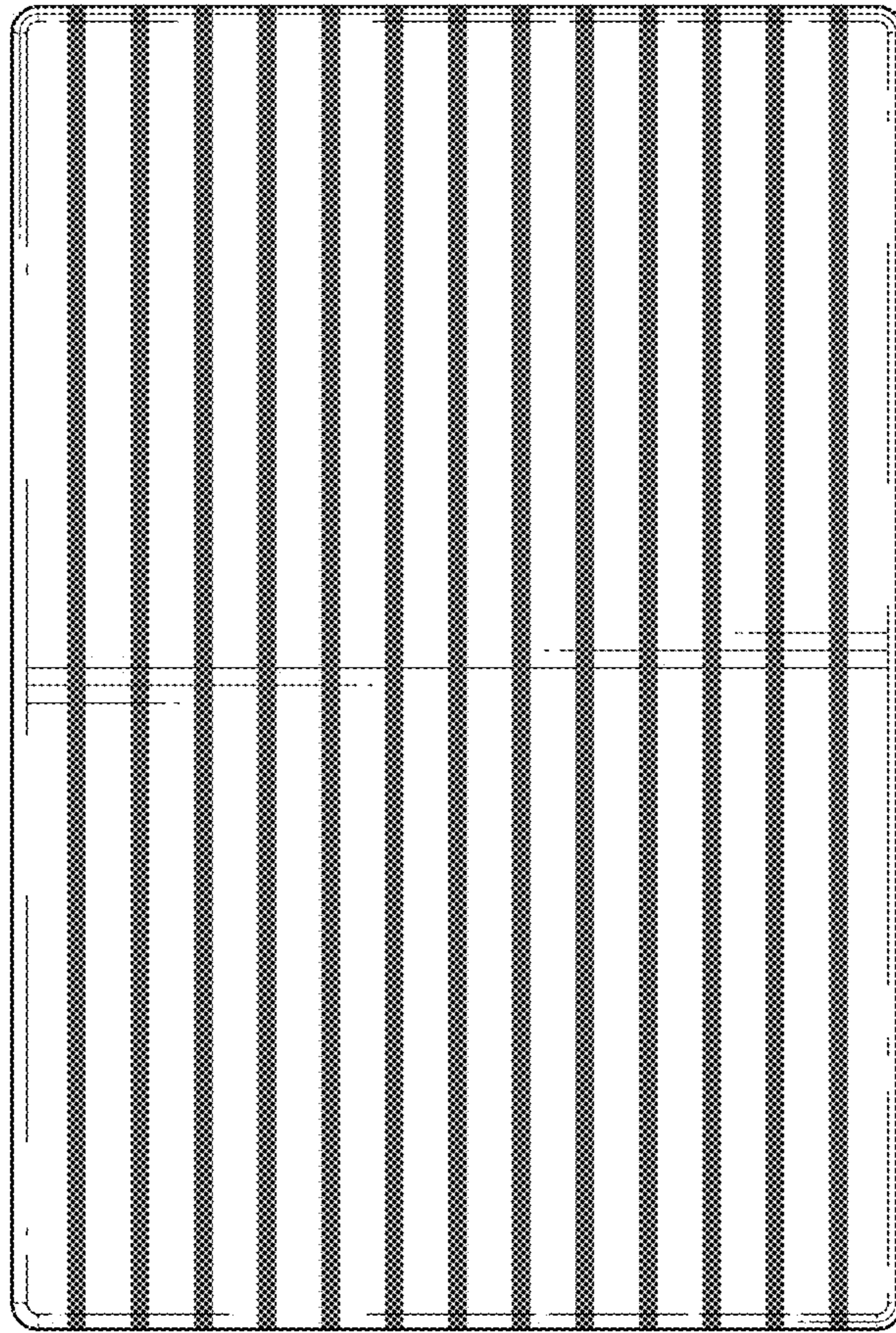


FIG. 26

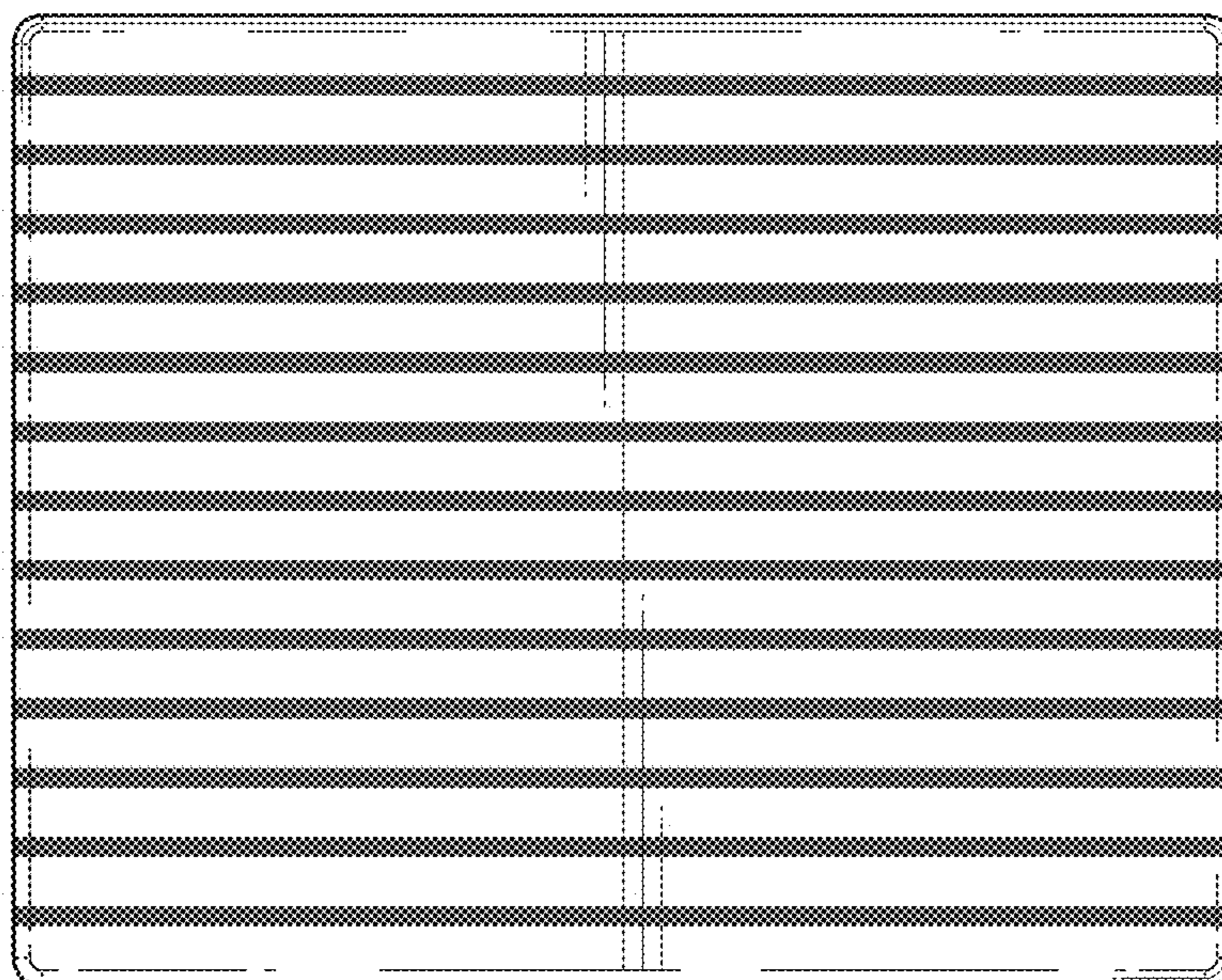


FIG. 25



FIG. 27

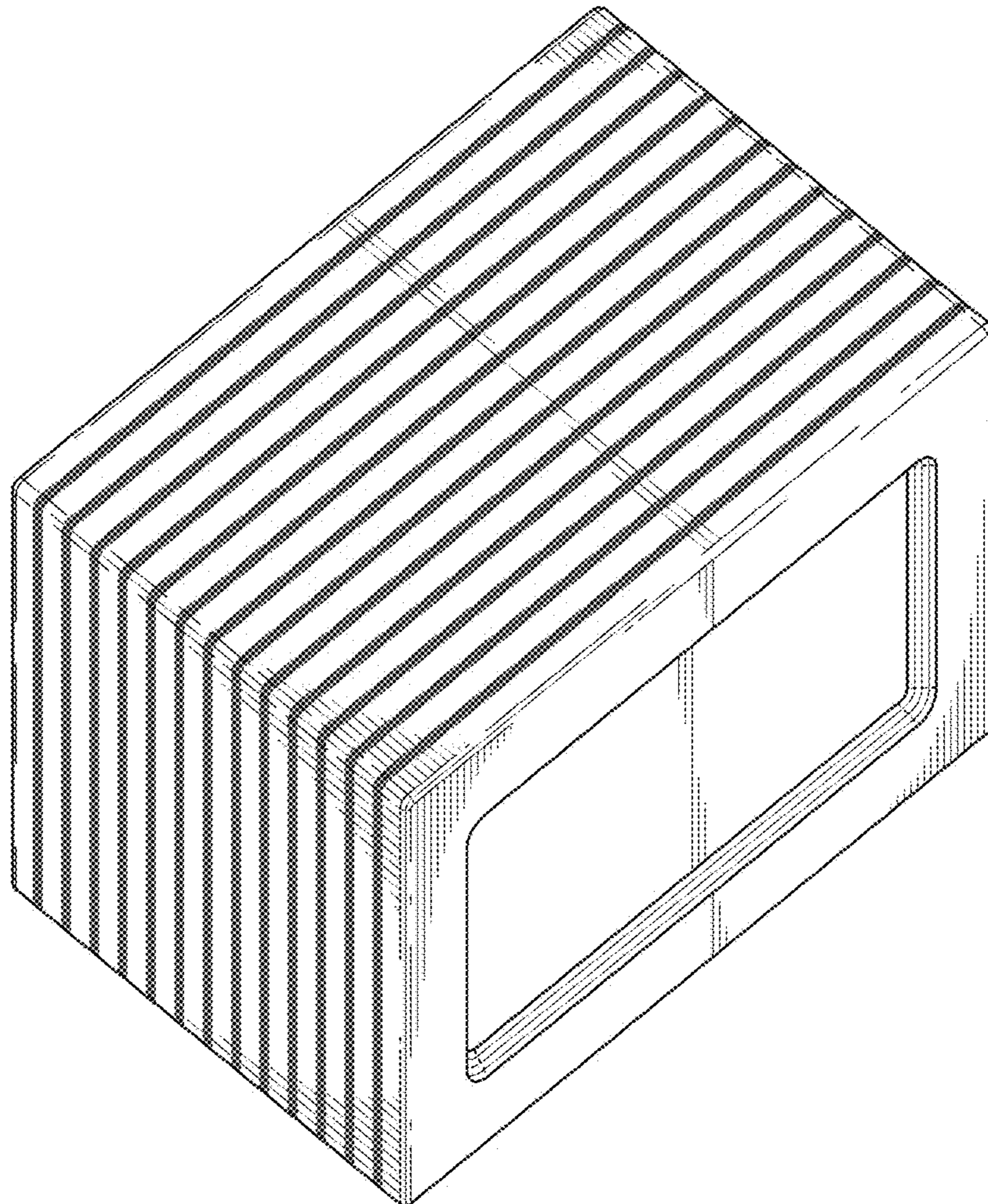


FIG. 28

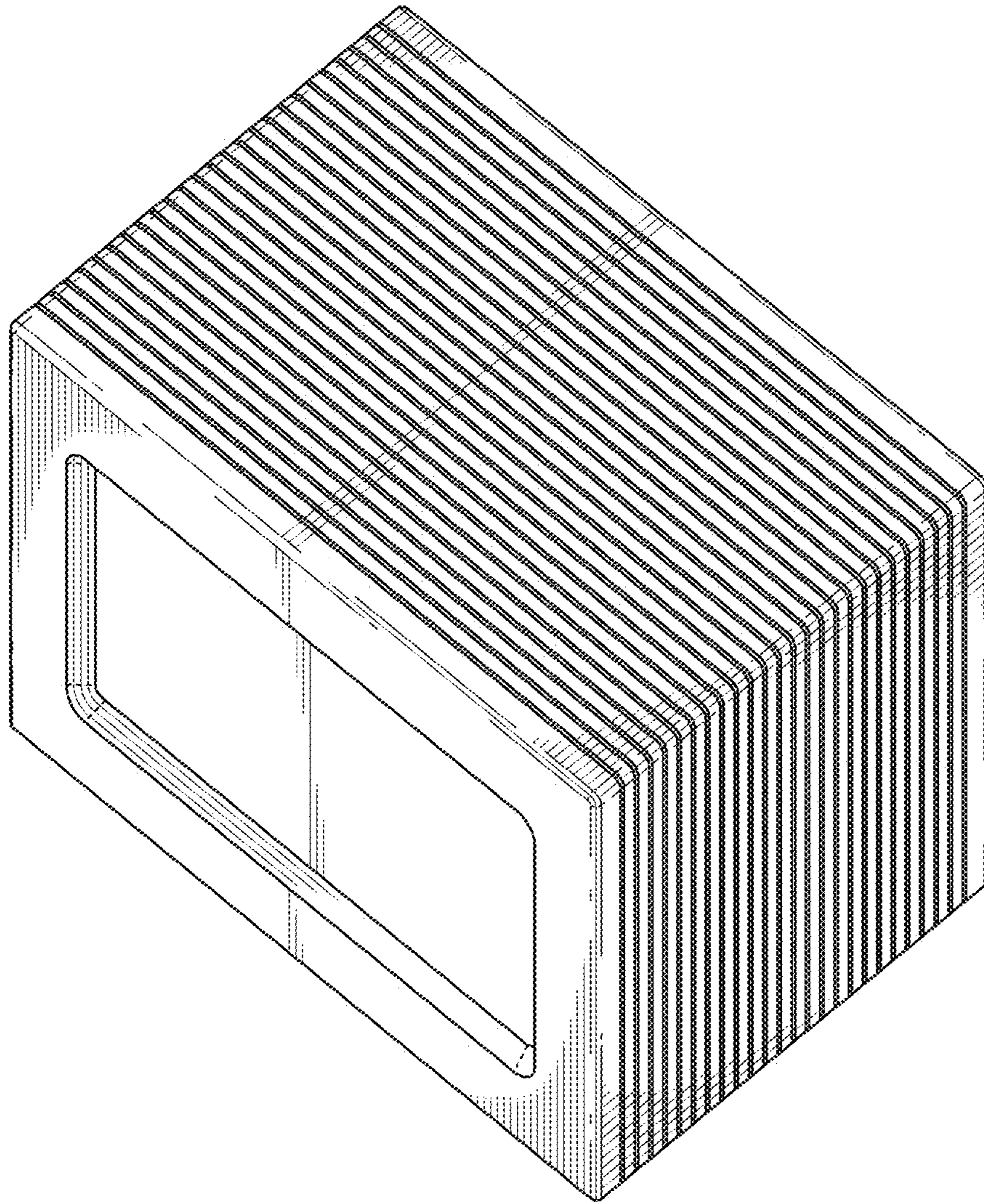


FIG. 29

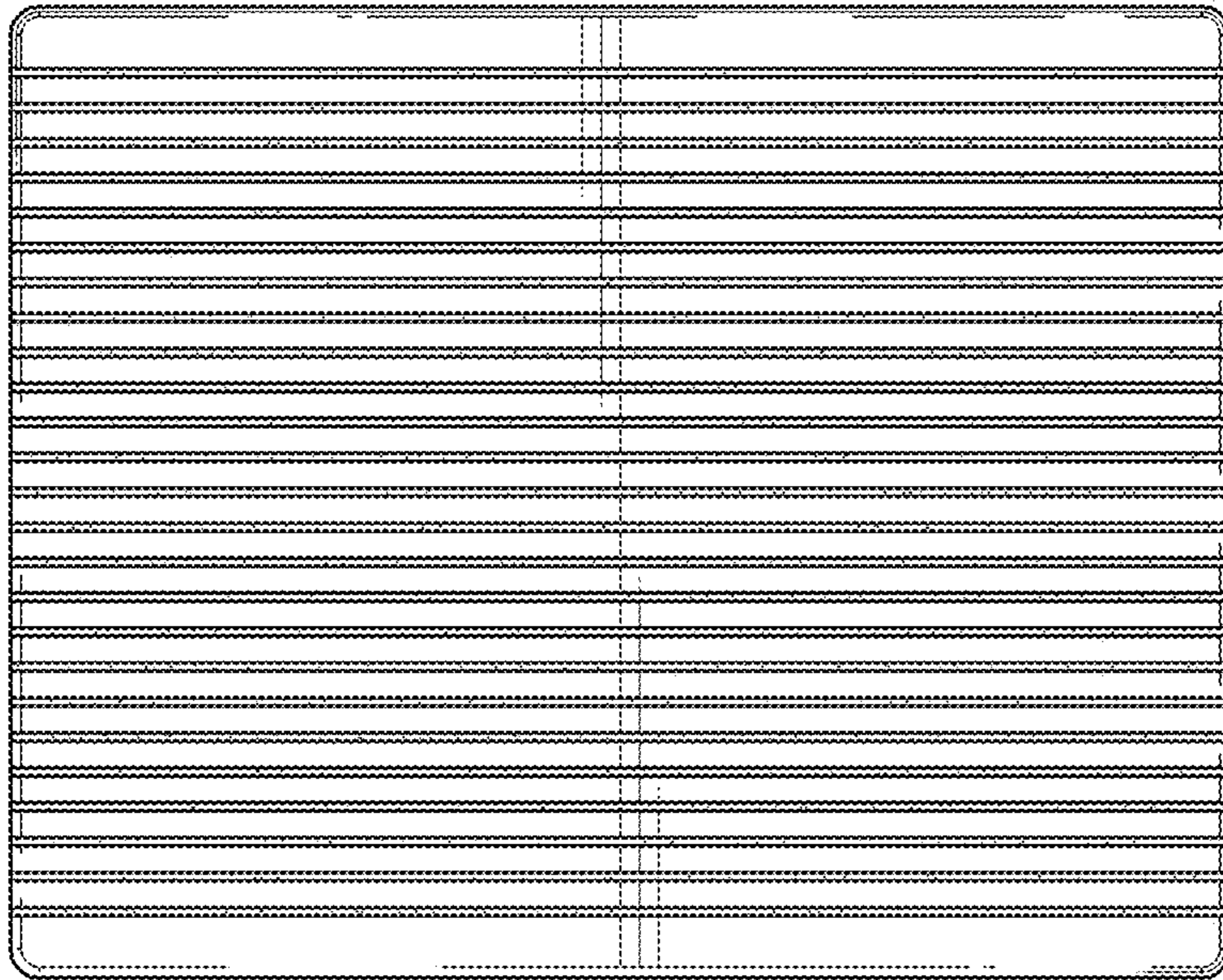


FIG. 31

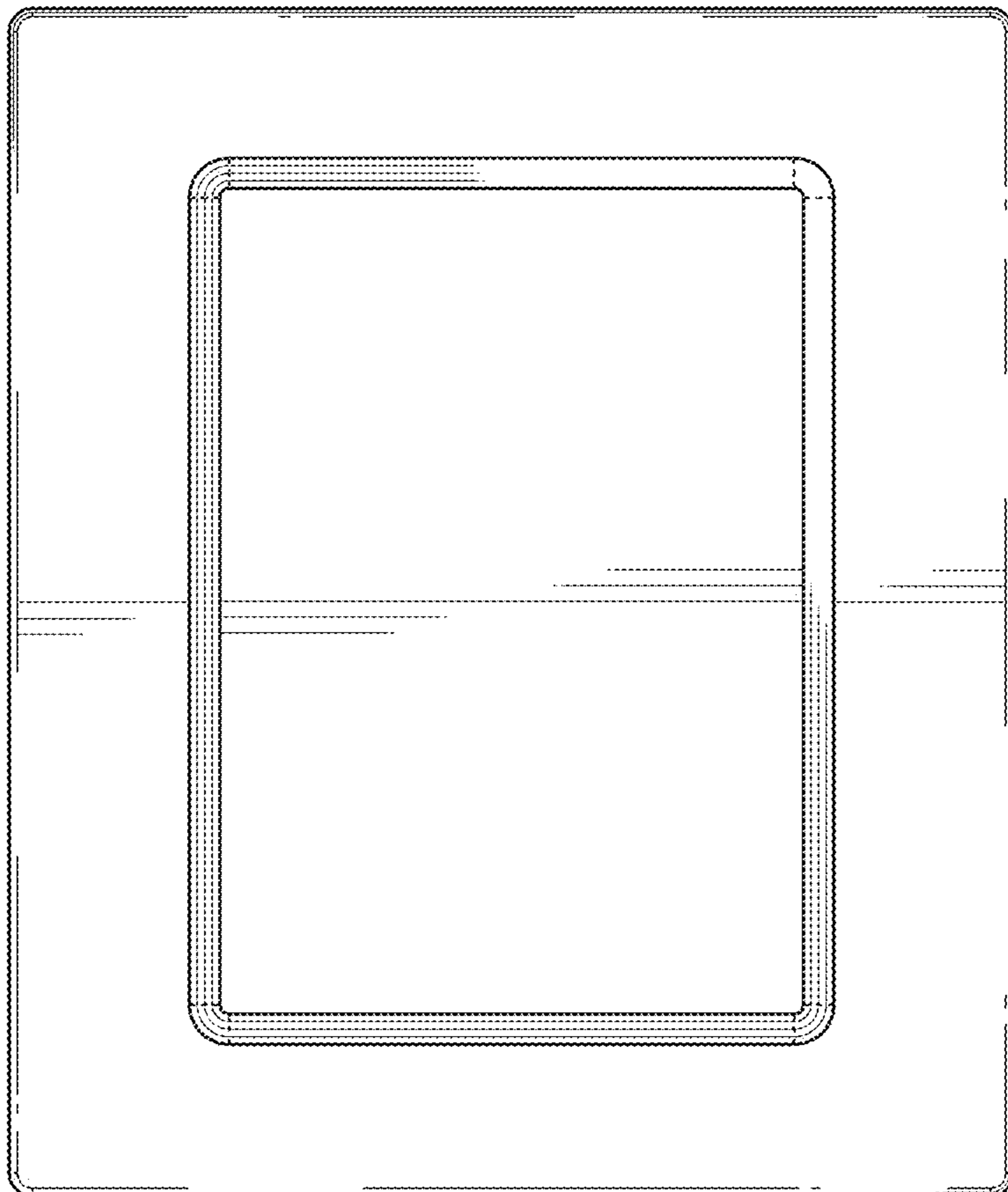


FIG. 30

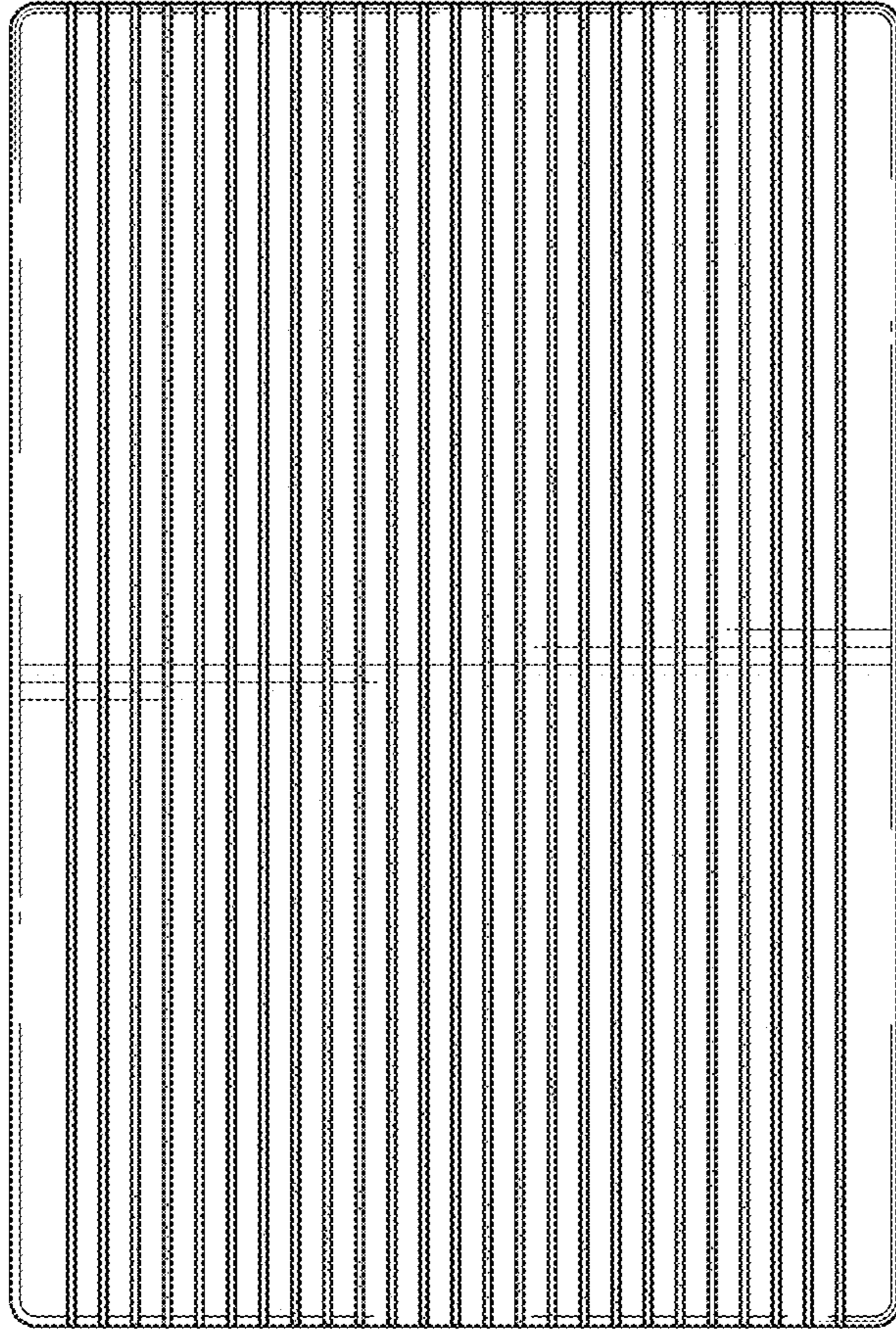


FIG. 33

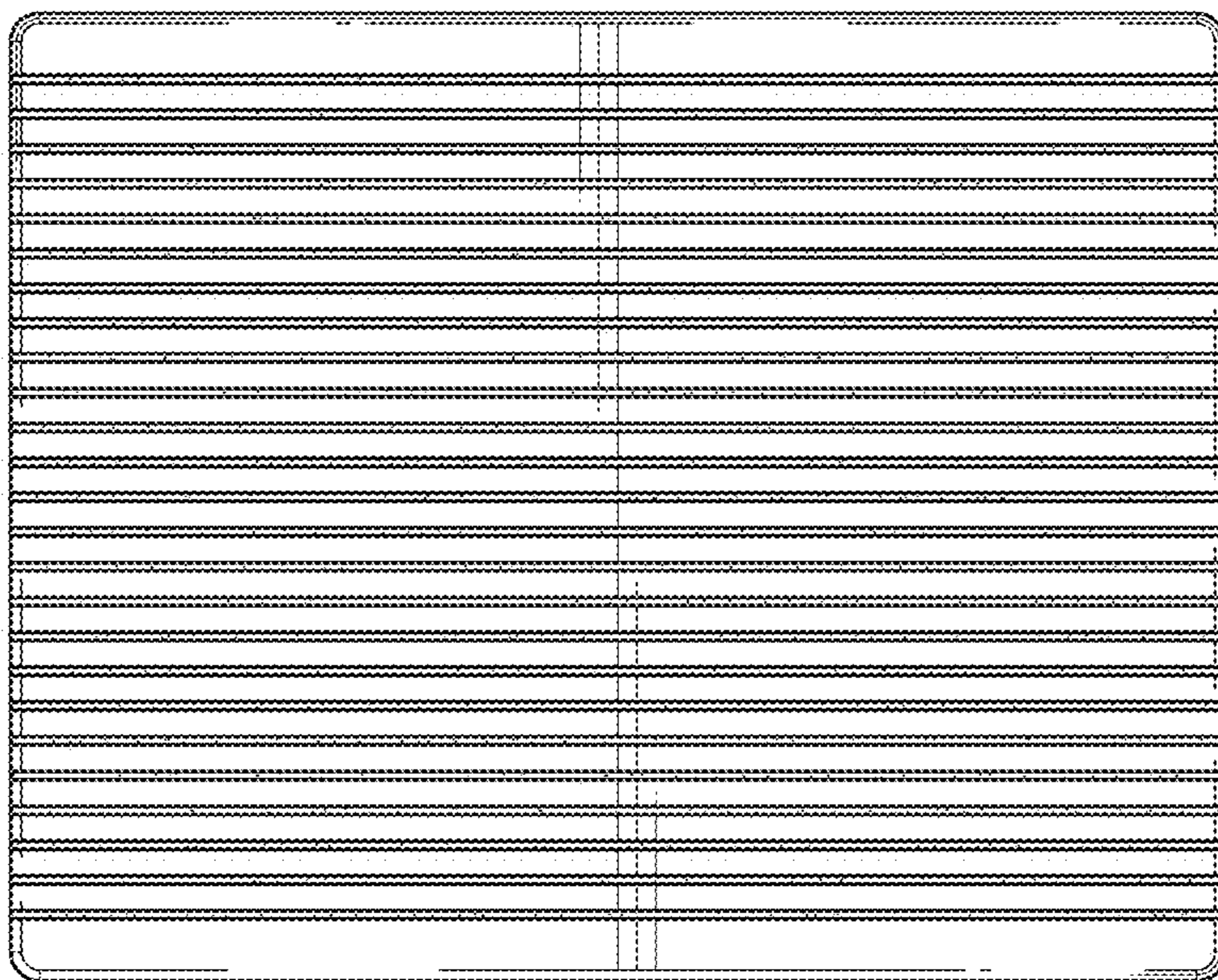


FIG. 32

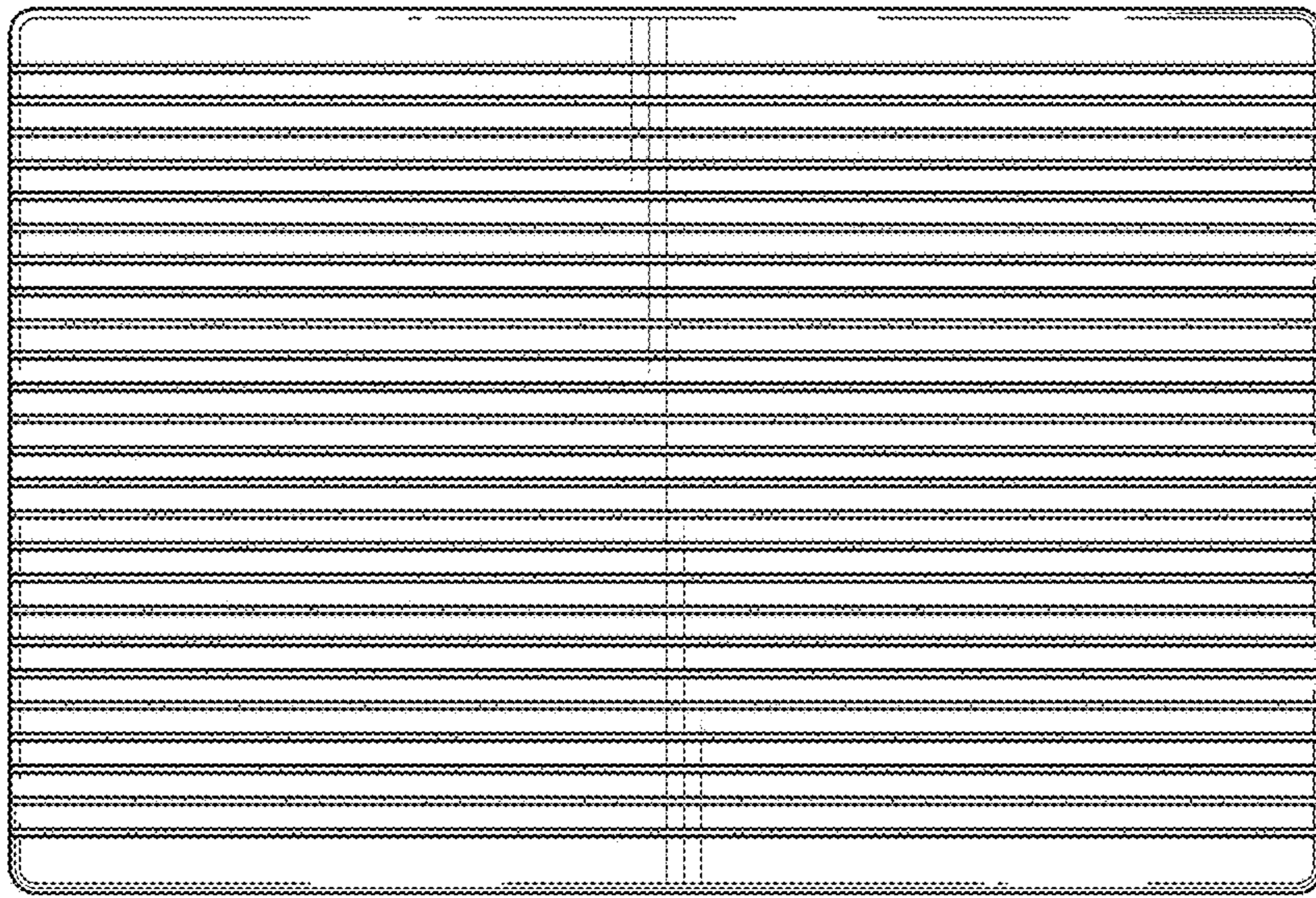


FIG. 34

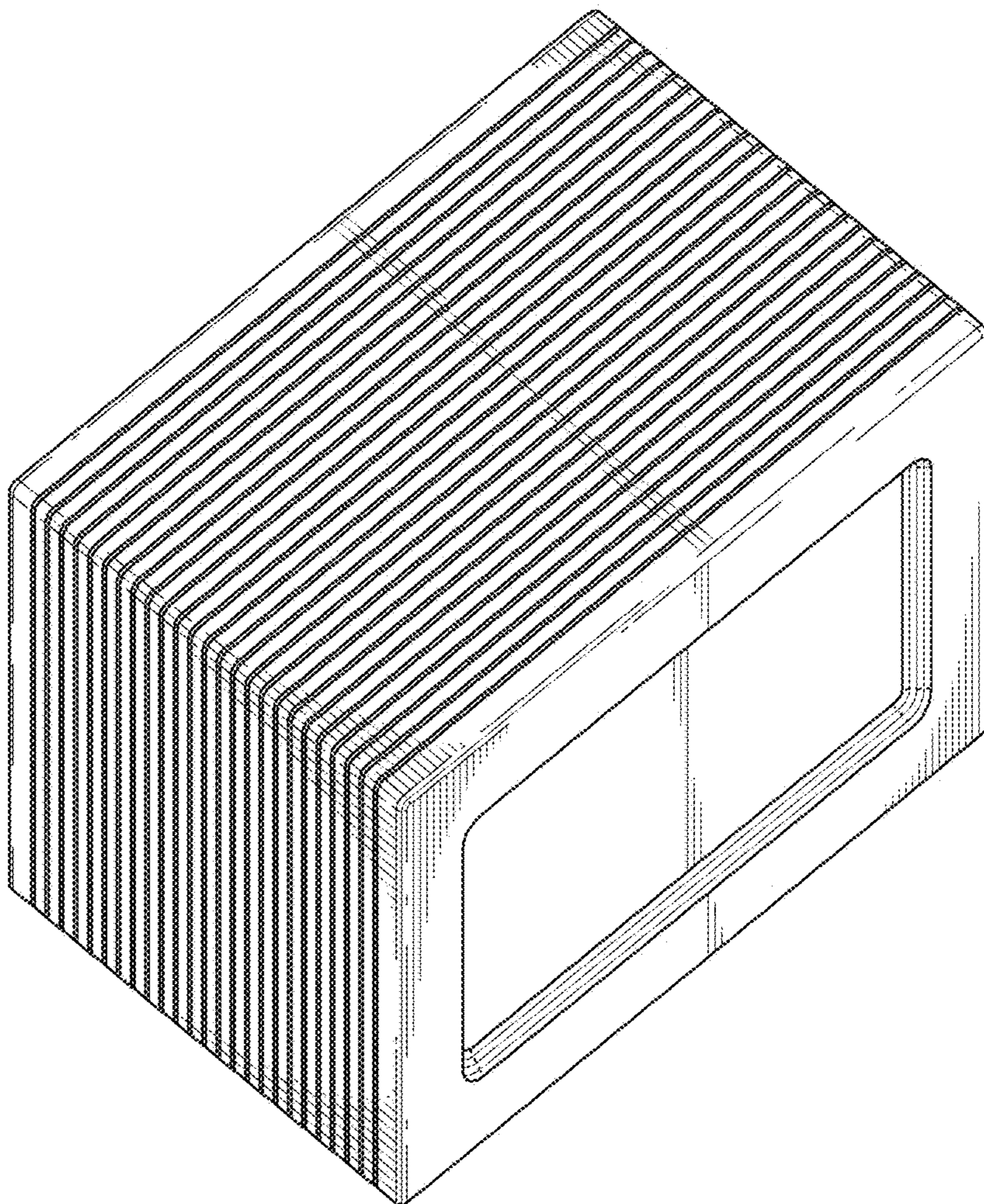


FIG. 35

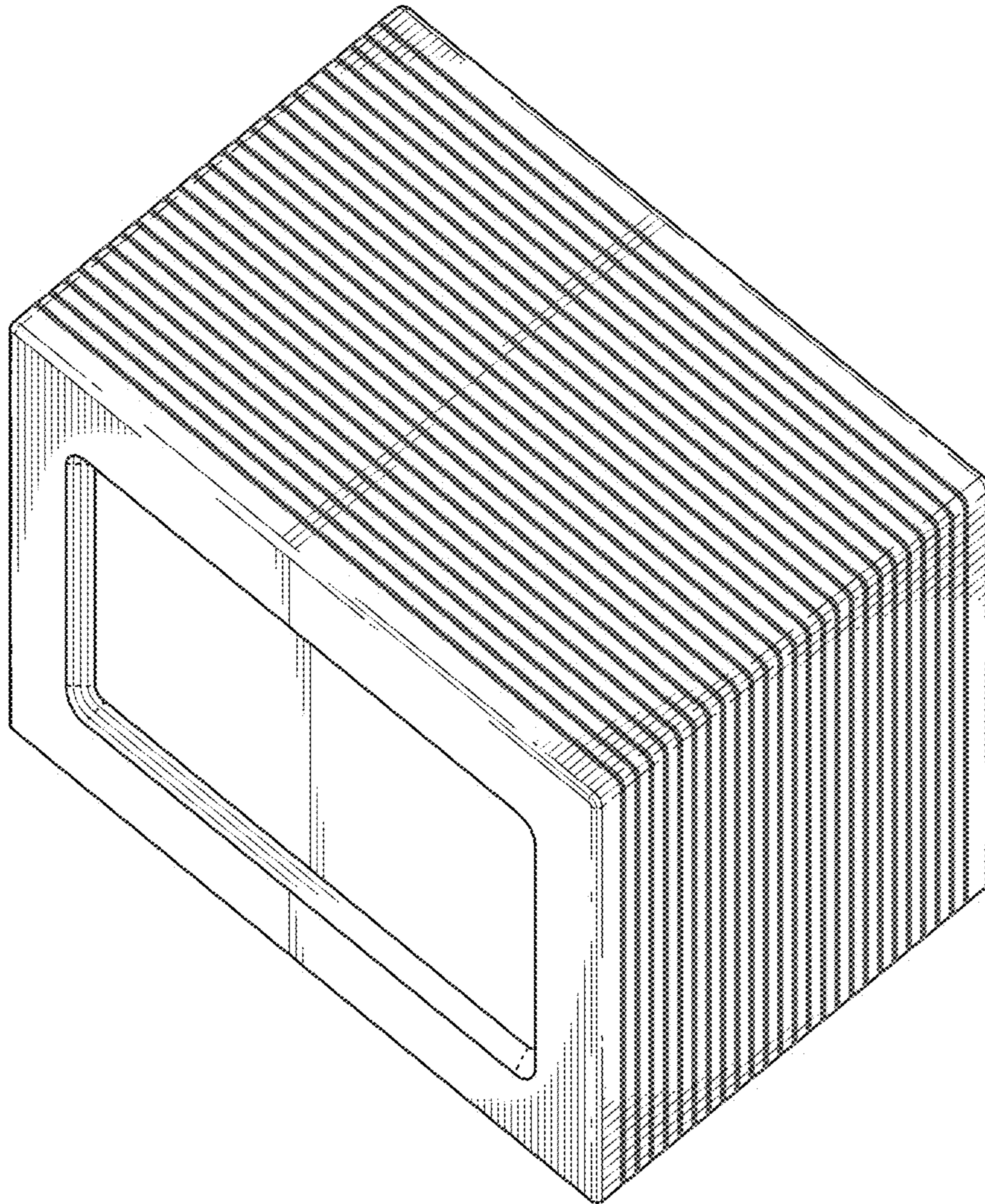


FIG. 36

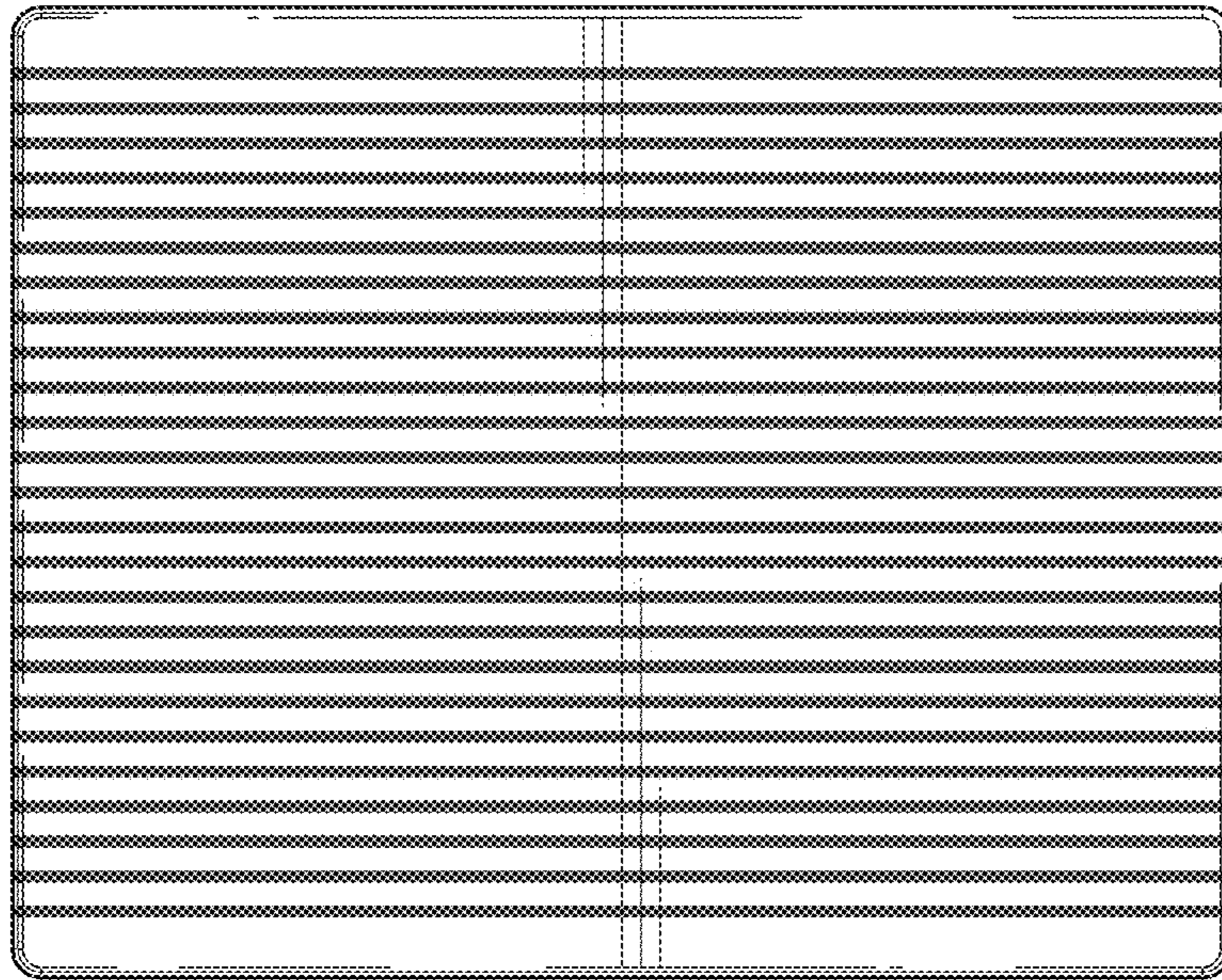


FIG. 38

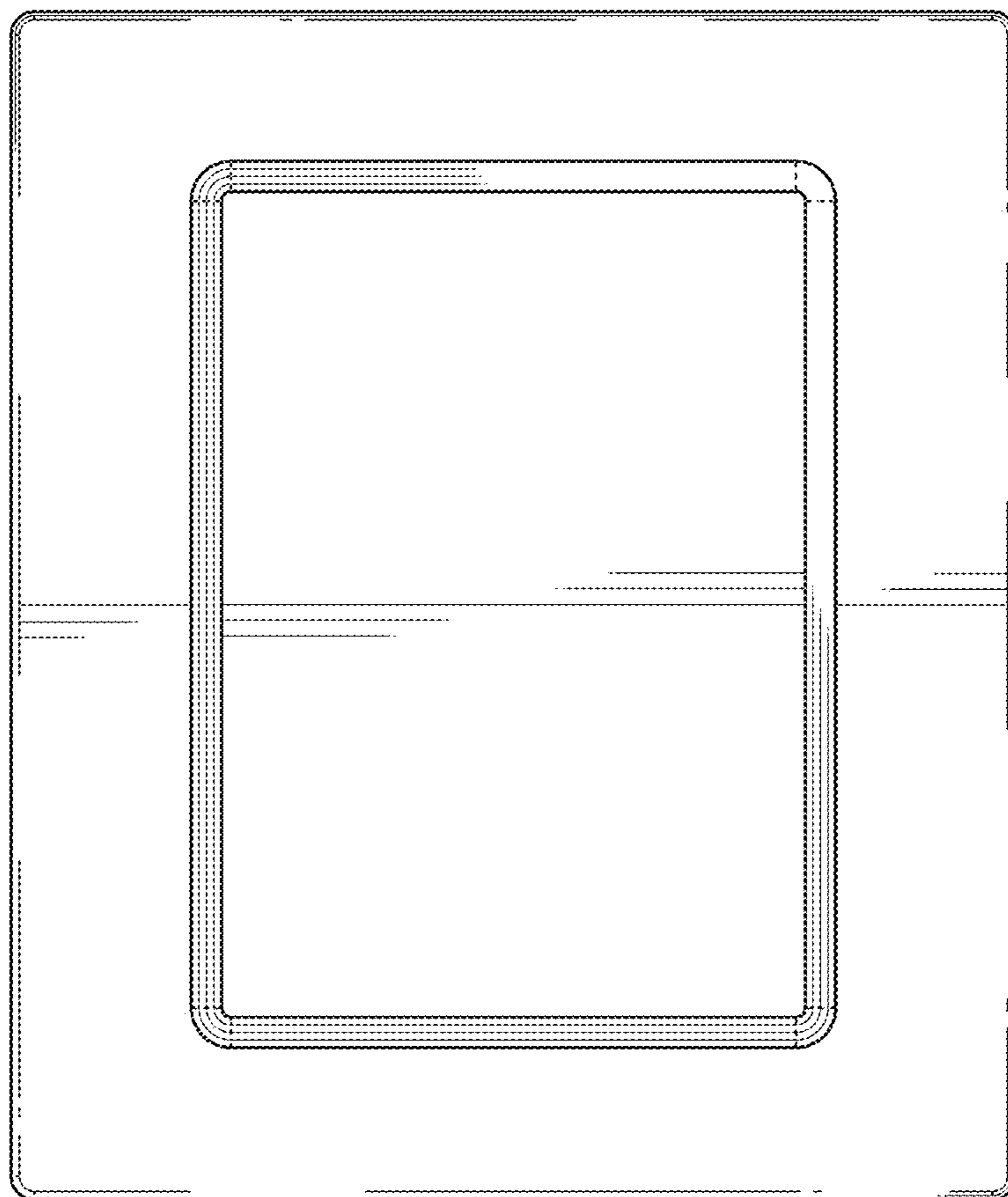


FIG. 37



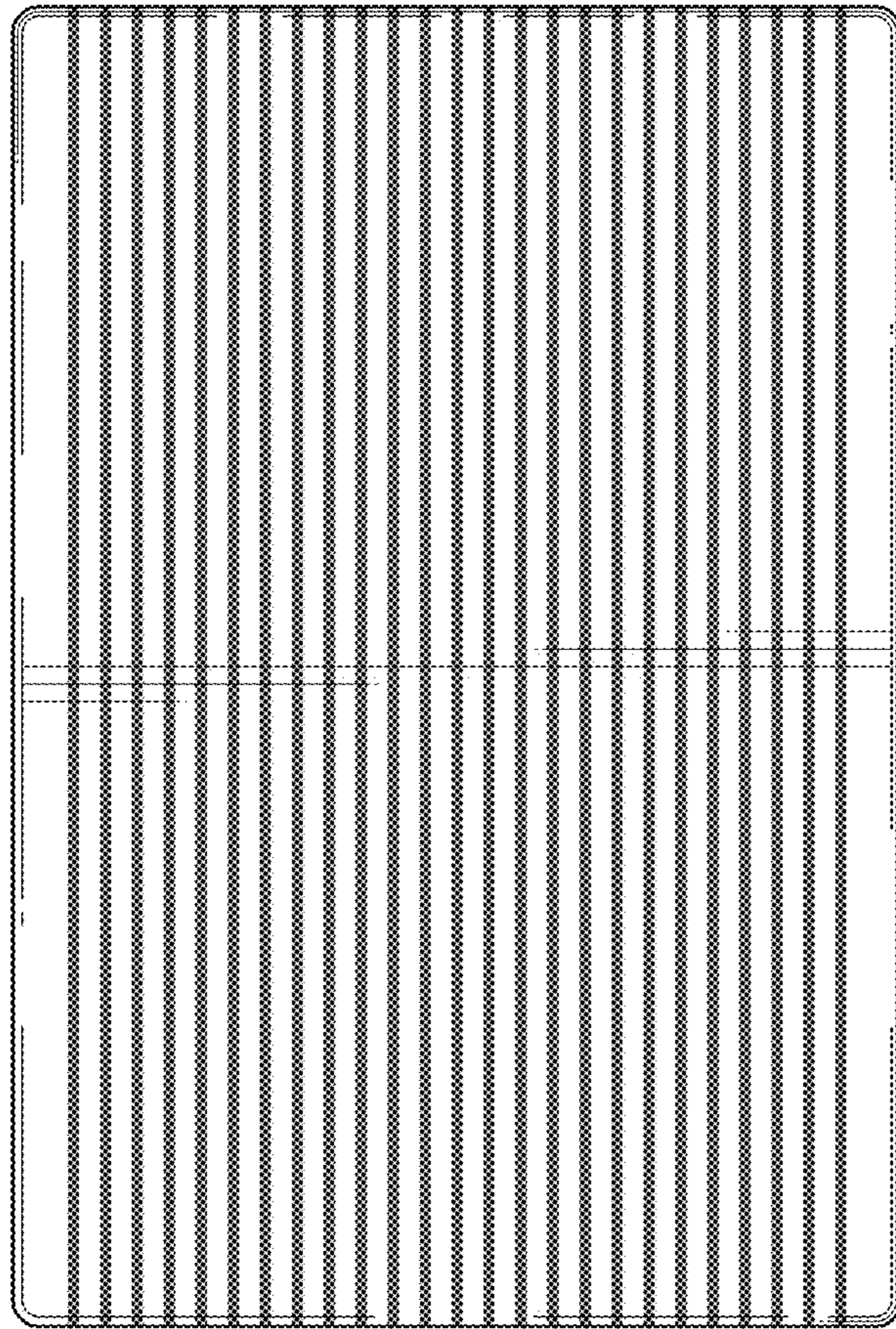


FIG. 40



FIG. 39

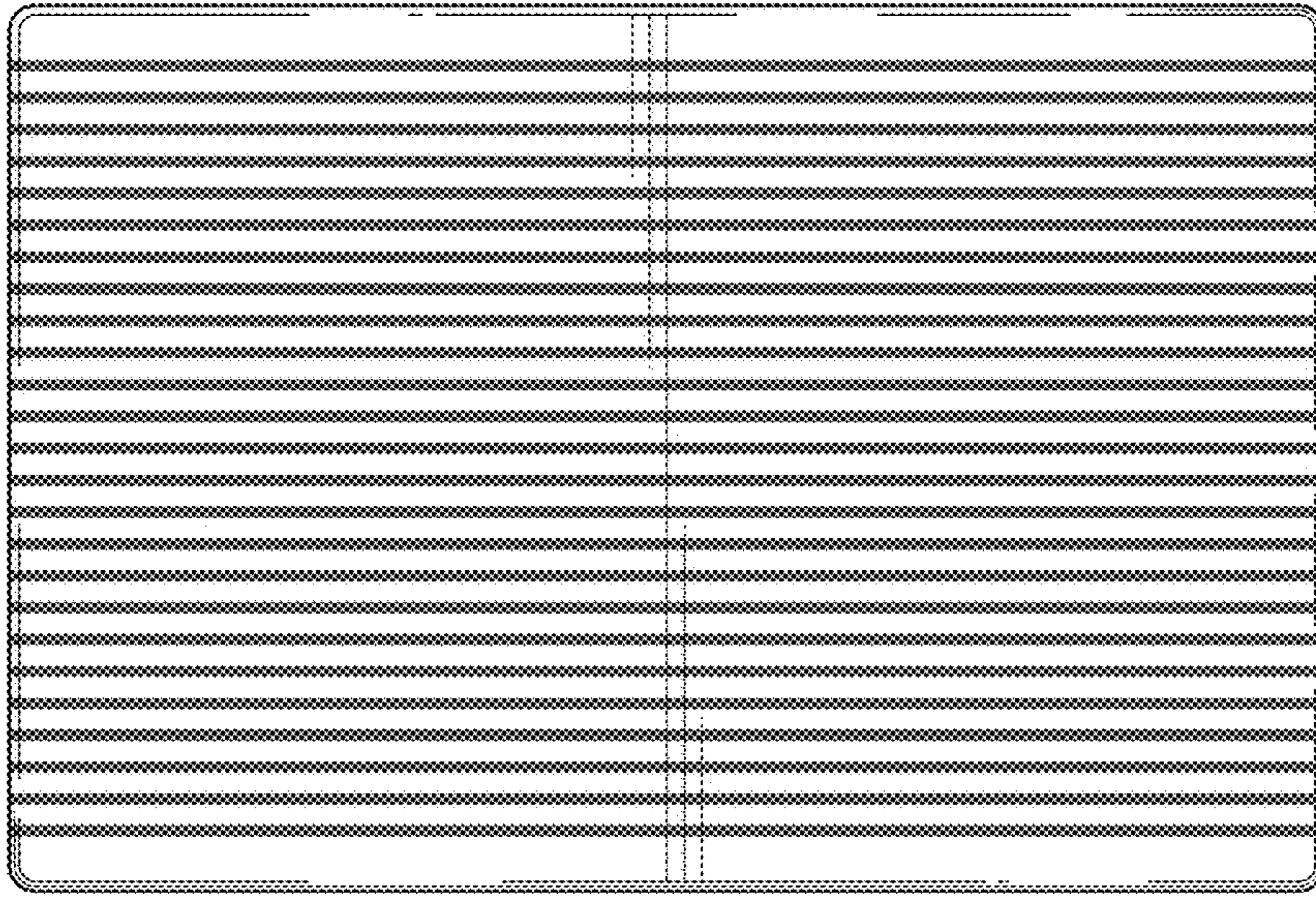


FIG. 41

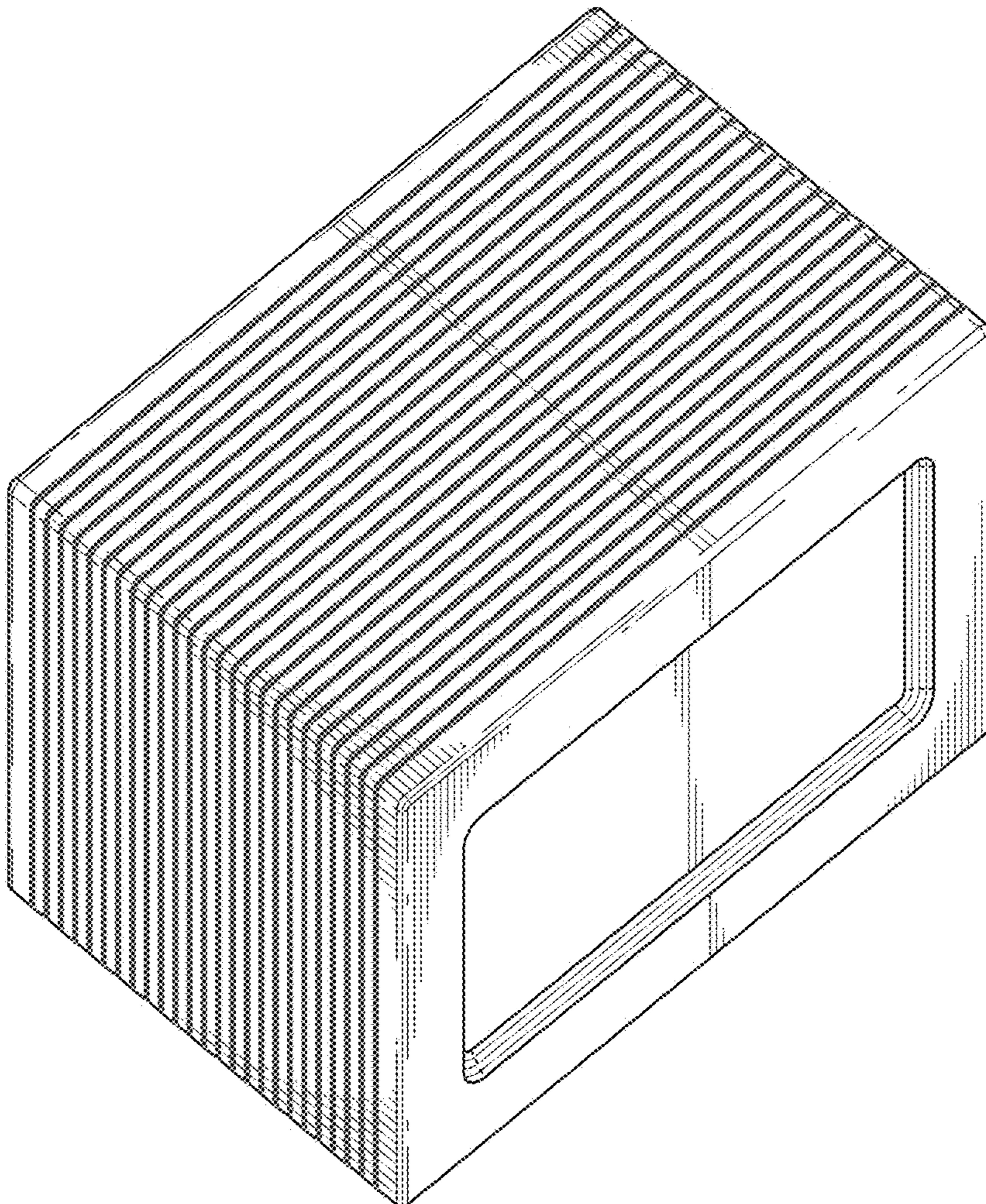


FIG. 42