



US00D829157S

(12) **United States Design Patent** (10) **Patent No.:** **US D829,157 S**
Adler (45) **Date of Patent:** **** Sep. 25, 2018**

(54) **TRAY FOR A CARRIER**

- (71) Applicant: **Thule Sweden AB**, Hillerstorp (SE)
- (72) Inventor: **Jan Adler**, Skillingaryd (SE)
- (73) Assignee: **Thule Sweden AB**, Hillerstorp (SE)
- (**) Term: **15 Years**
- (21) Appl. No.: **29/601,148**
- (22) Filed: **Apr. 19, 2017**

Related U.S. Application Data

- (63) Continuation of application No. 29/531,722, filed on Jun. 29, 2015, now Pat. No. Des. 789,276.
- (51) **LOC (11) Cl.** **12-16**
- (52) **U.S. Cl.**
USPC **D12/408**
- (58) **Field of Classification Search**
USPC D12/408, 407, 406, 115, 412, 414
CPC .. B60R 9/06; B60R 9/10; B60R 9/045; B60R 9/048; B60R 11/00
See application file for complete search history.

(56) **References Cited**

U.S. PATENT DOCUMENTS

D393,241 S *	4/1998	Diotte	D12/408
6,296,162 B1 *	10/2001	Englander	B60R 9/048 224/323
D460,401 S *	7/2002	Andersson	D12/408
6,435,523 B1	8/2002	Hilk		
D467,220 S *	12/2002	Walstrom	D12/408
6,761,297 B1	7/2004	Pedrini		
D562,217 S *	2/2008	Davis	D12/408
D562,218 S *	2/2008	Foley	D12/408
D566,034 S *	4/2008	Davis	D12/408
7,481,344 B2 *	1/2009	Naslund	B60R 9/048 224/319
7,757,914 B2 *	7/2010	Book	B60R 9/048 224/324
D622,208 S	8/2010	Sutter et al.		

(Continued)

OTHER PUBLICATIONS

Thule, "Thule Criterium 598—Thule" thule.com, <<http://www.thule.com/en-us/us/products/carriers-and-racks/bike-carriers/roof-mounted-bike-carriers/thule-criterium-598--13898>>, accessed Sep. 23, 2015.

Primary Examiner — George D. Kirschbaum
Assistant Examiner — Clese Moore, Jr.

(74) *Attorney, Agent, or Firm* — Sterne, Kessler, Goldstein & Fox P.L.L.C.

(57) **CLAIM**

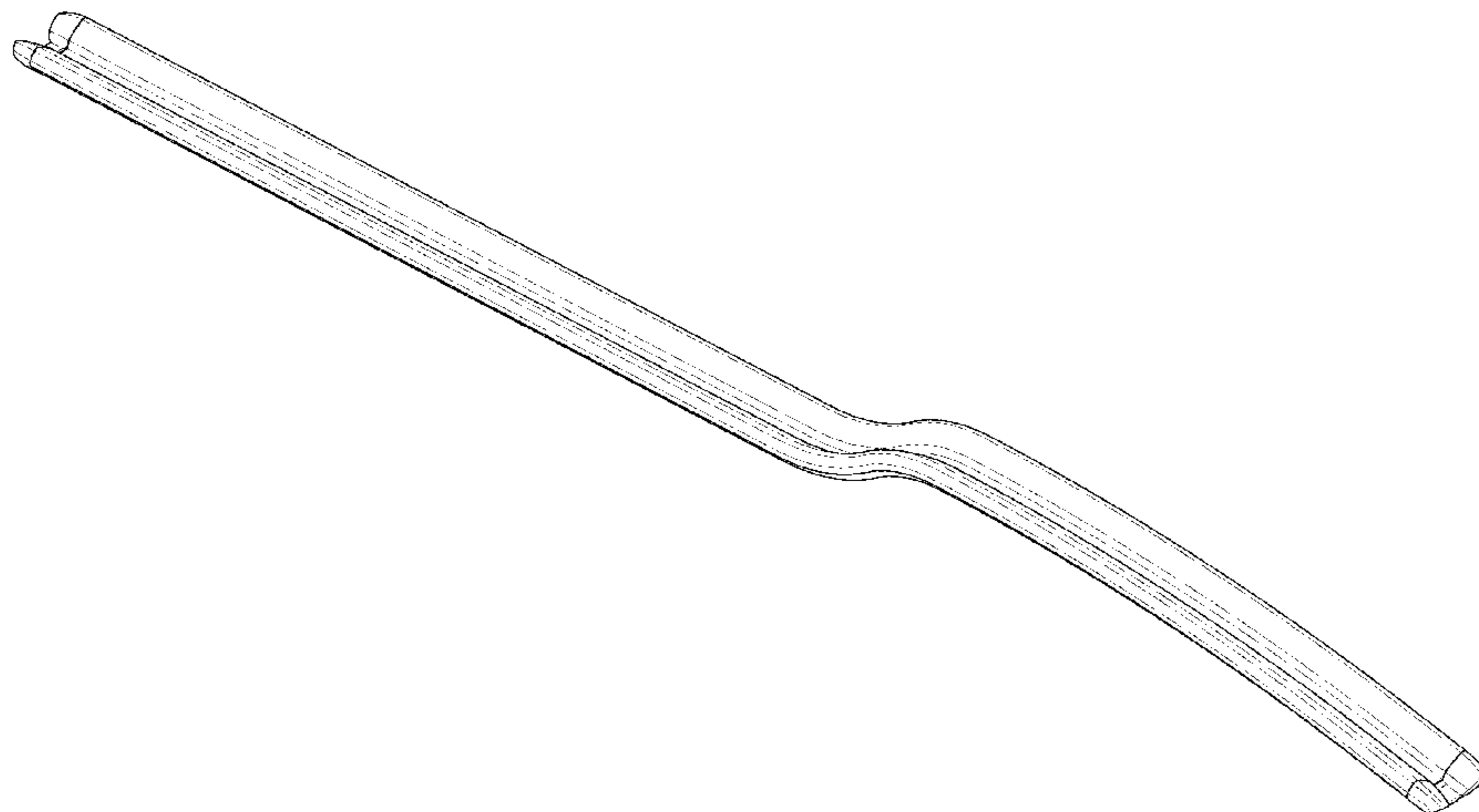
The ornamental design for a tray for a carrier, as shown and described.

DESCRIPTION

FIG. 1 is a top perspective view of a tray for a carrier showing my new design;
 FIG. 2 is a side view thereof, the other side view being a mirror image thereof;
 FIG. 3 is a front view thereof;
 FIG. 4 is a rear view thereof;
 FIG. 5 is a bottom view thereof;
 FIG. 6 is a top view thereof;
 FIG. 7 is a top perspective view of a carrier with tray showing the claimed design in an environment in which it may be used;
 FIG. 8 is a left side view thereof;
 FIG. 9 is a right side view thereof;
 FIG. 10 is a front view thereof;
 FIG. 11 is a rear view thereof;
 FIG. 12 is a top view thereof; and,
 FIG. 13 is a bottom view thereof.

The broken lines in the figures show portions of the carrier that form no part of the claimed design.
 The shade lines in the figures show contour and not surface ornamentation.

1 Claim, 7 Drawing Sheets



(56)

References Cited

U.S. PATENT DOCUMENTS

D623,117	S	9/2010	Farber	
D630,572	S *	1/2011	Weaver	D12/408
D635,086	S *	3/2011	Shen	D12/408
D669,016	S	10/2012	Pozzi	
D672,704	S	12/2012	Grago	
D684,917	S	6/2013	Williams	
D693,760	S	11/2013	Weaver et al.	
D701,163	S	3/2014	Kuschmeader et al.	
D703,130	S	4/2014	Settelmayer et al.	
D703,605	S *	4/2014	Sautter	D12/408
D706,209	S	6/2014	Flaherty et al.	
D717,717	S	11/2014	Williams	
D717,723	S	11/2014	Laverack et al.	
D718,217	S *	11/2014	Detweiler	D12/414
D722,289	S	2/2015	Williams	
D727,831	S	4/2015	Eriksson et al.	
D731,400	S *	6/2015	Condon	D12/408
D746,761	S *	1/2016	Cagampang	D12/414
D759,571	S	6/2016	Eriksson et al.	
D768,556	S *	10/2016	McFadden	D12/414
9,931,994	B2 *	4/2018	Settelmayer	B60R 9/10
9,956,921	B2 *	5/2018	Arvidsson	B62H 3/08
2007/0164065	A1 *	7/2007	Davis	B60R 9/048 224/324
2009/0236382	A1	9/2009	Sautter et al.	
2010/0078454	A1	4/2010	Sautter et al.	
2011/0297712	A1 *	12/2011	Shen	B60R 9/048 224/315
2013/0062385	A1 *	3/2013	Pedrini	B60R 9/06 224/501

* cited by examiner

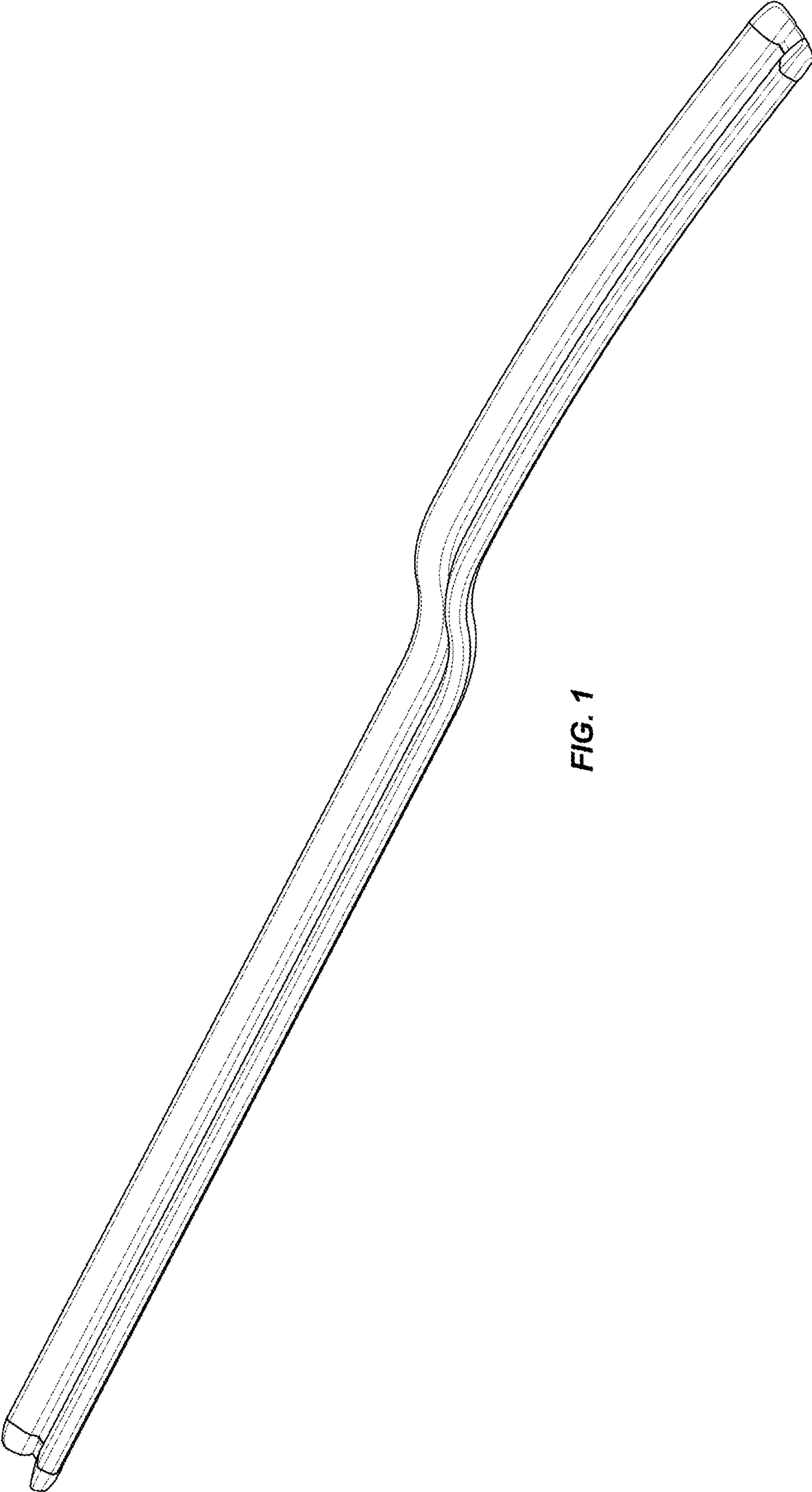


FIG. 1

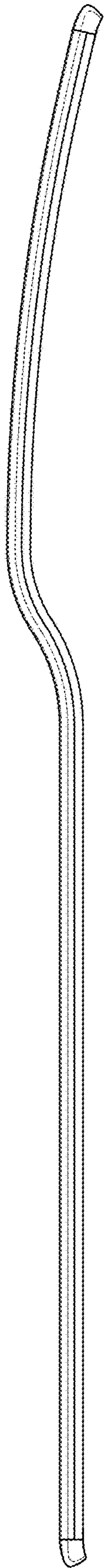


FIG. 2

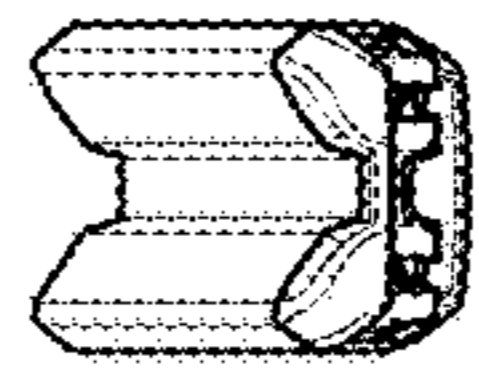


FIG. 4

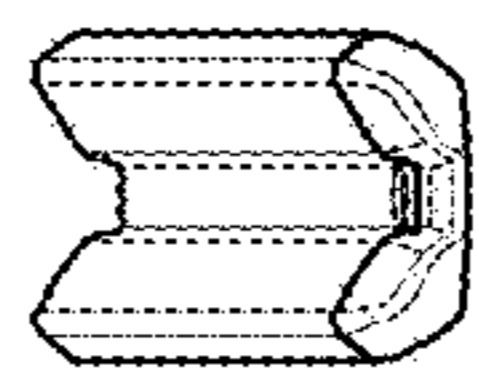


FIG. 3

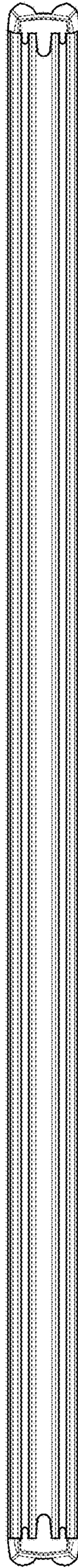


FIG. 5

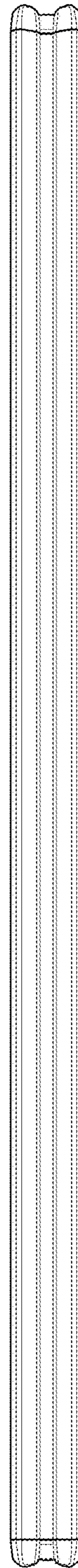


FIG. 6

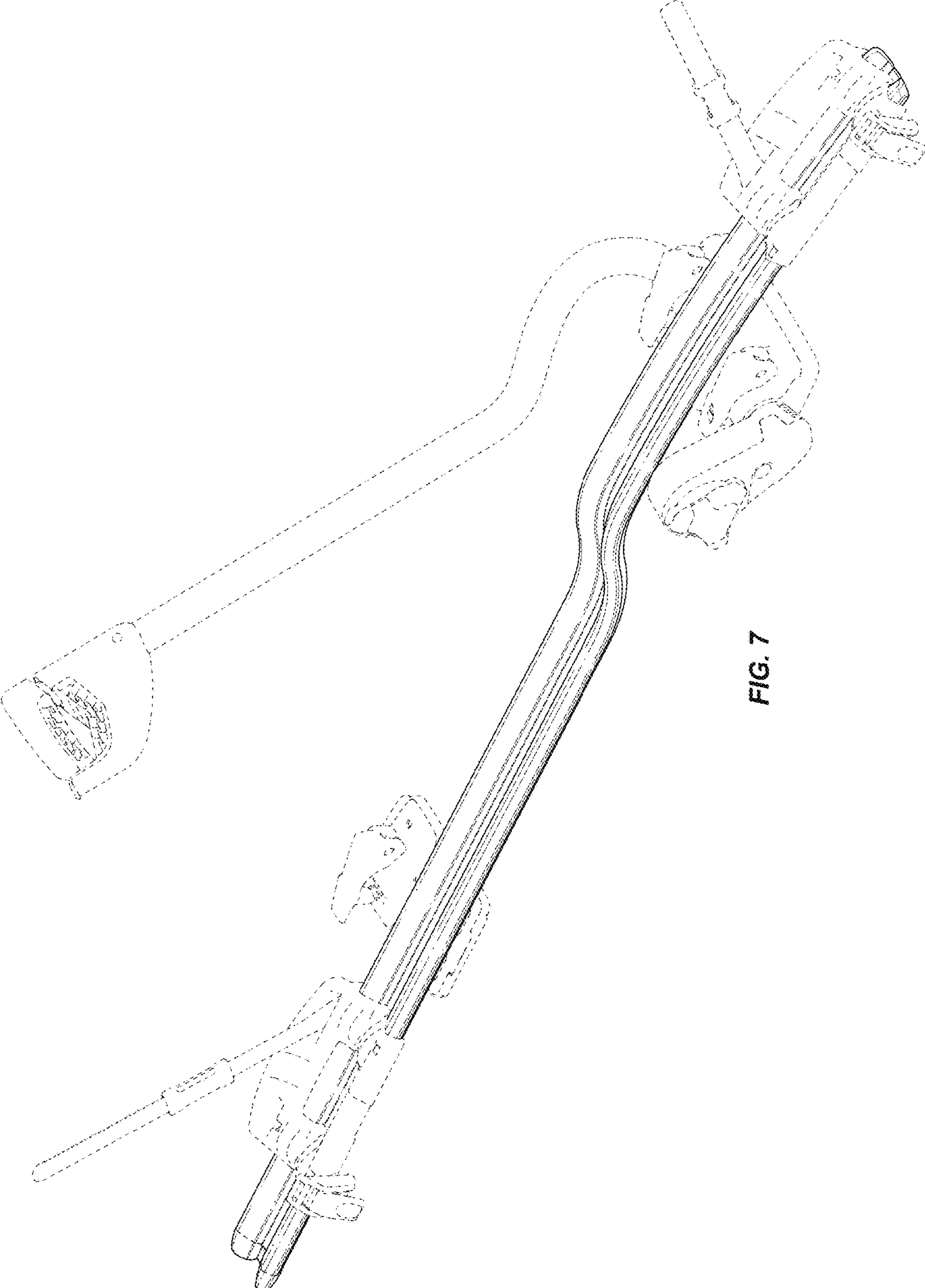


FIG. 7

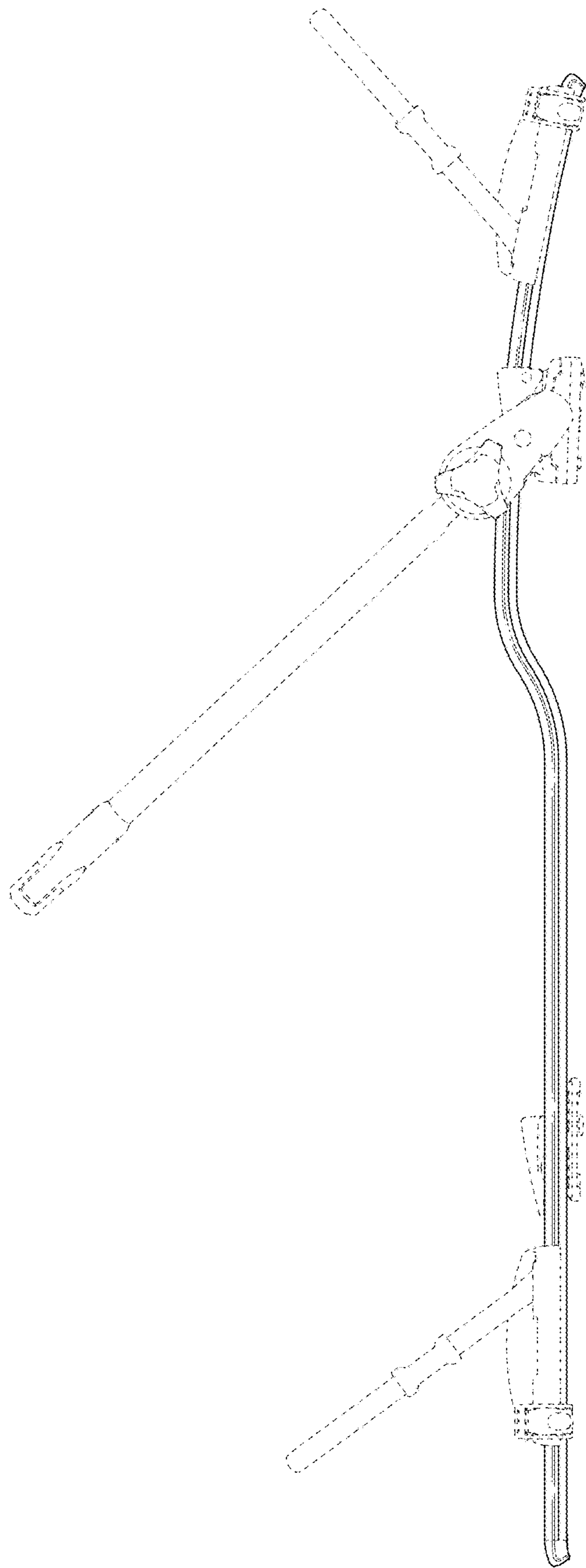


FIG. 8

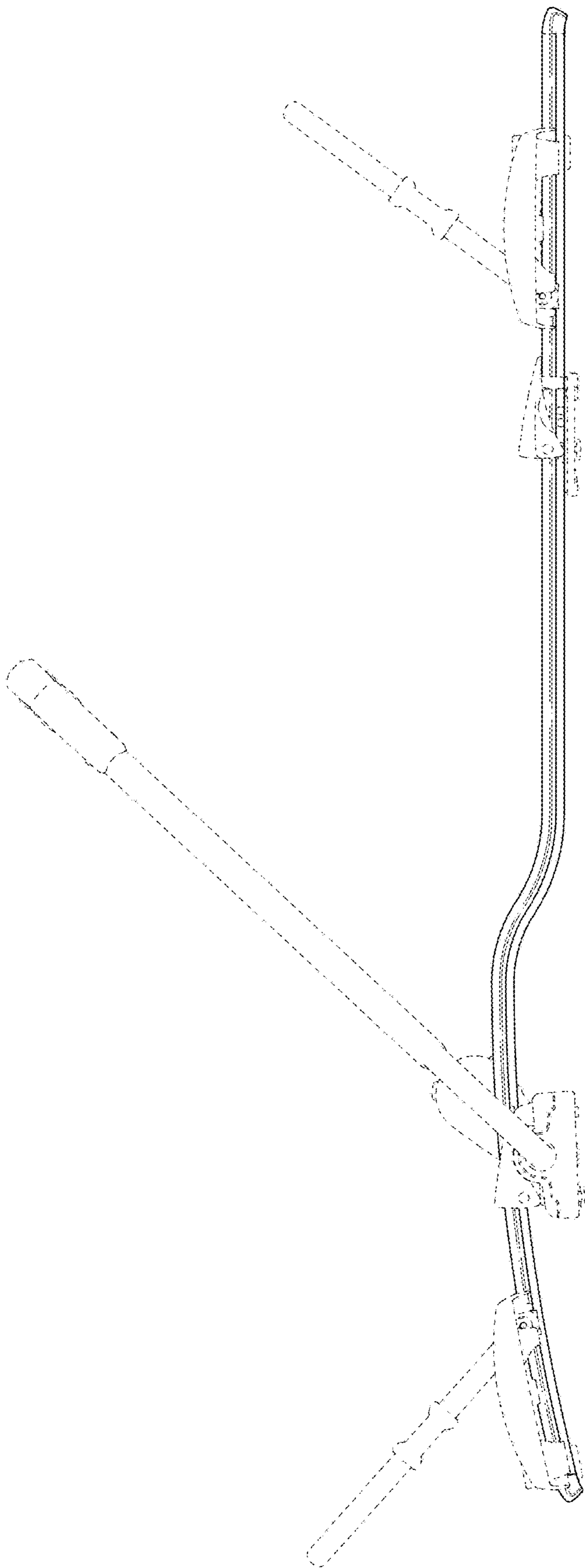


FIG. 9

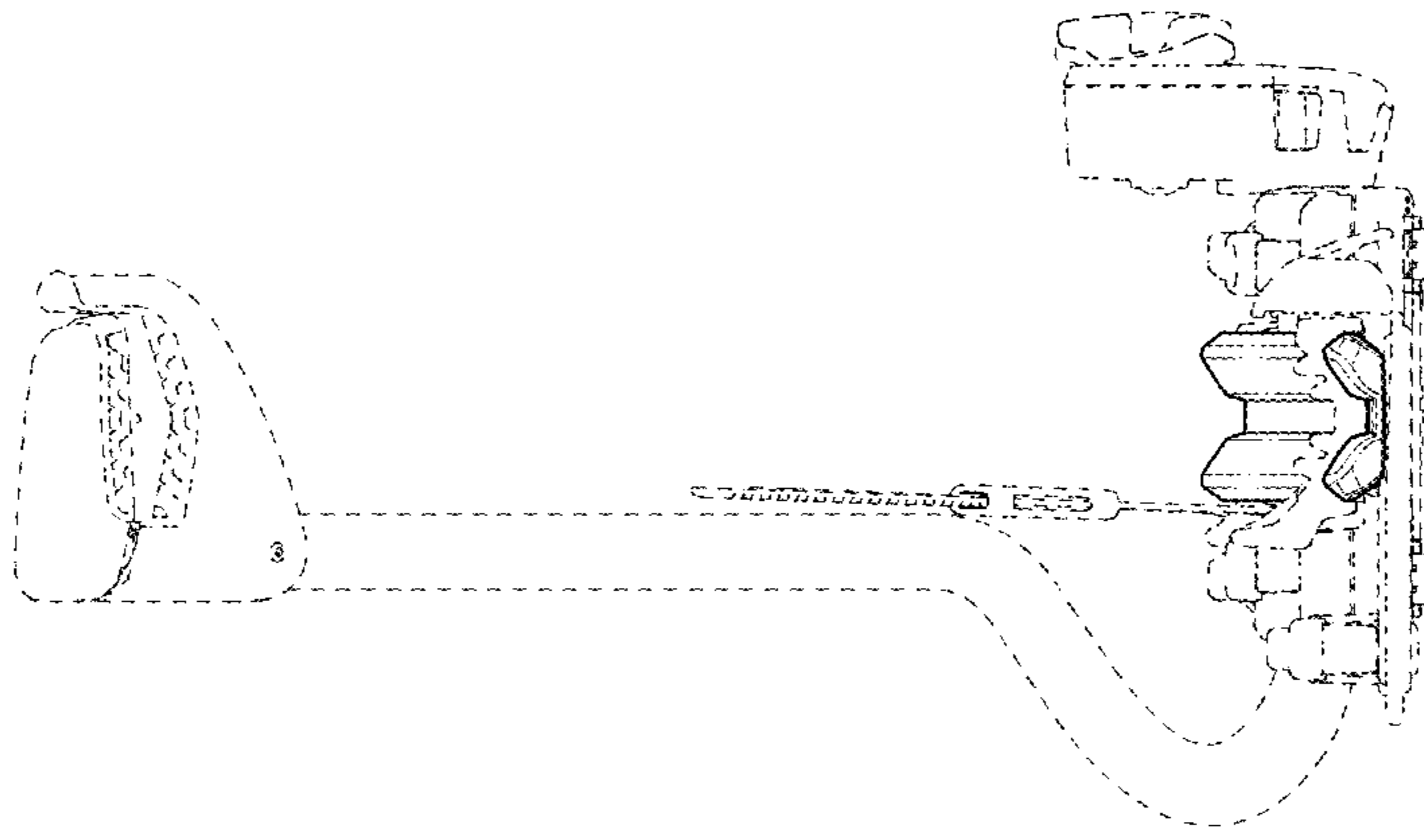


FIG. 11

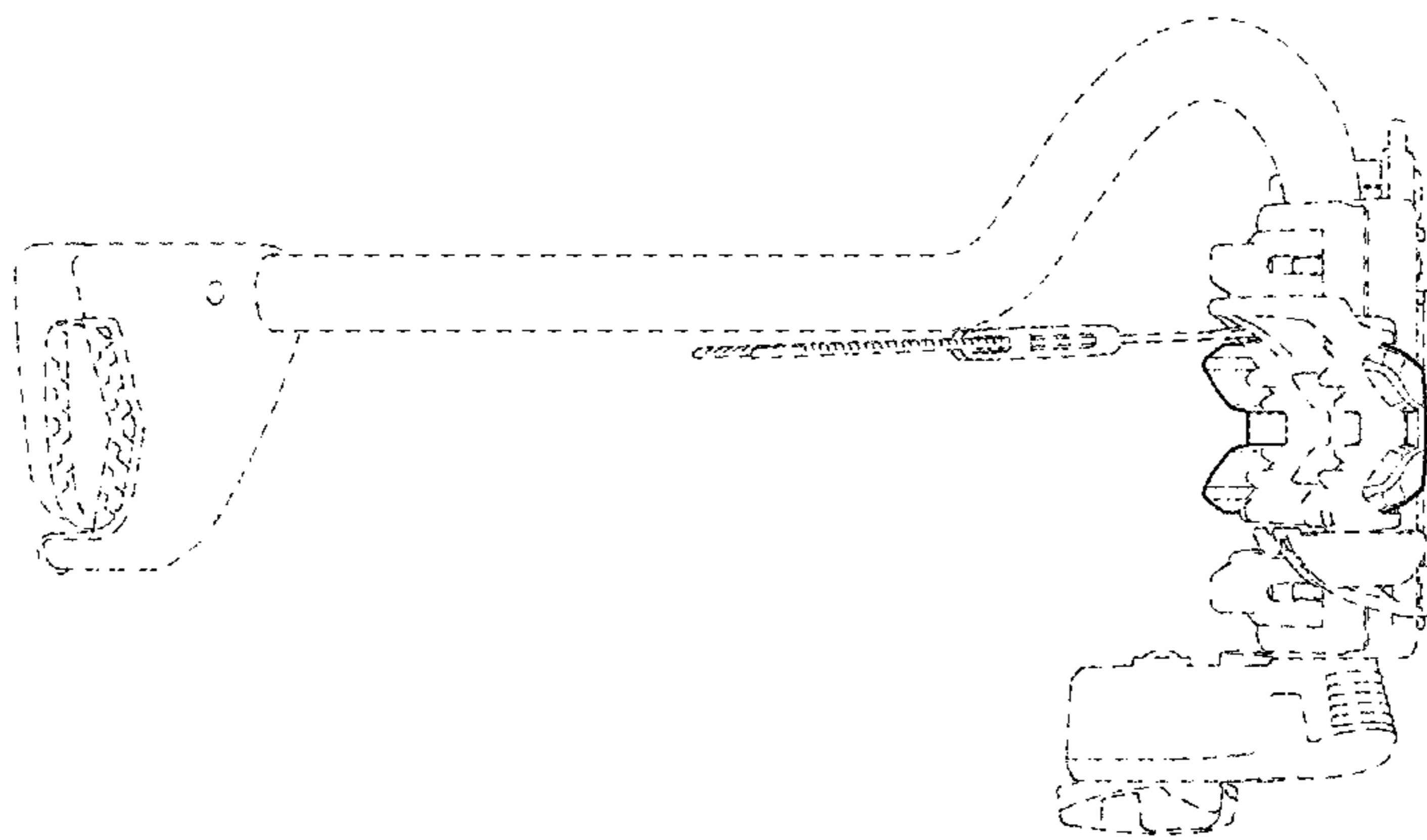


FIG. 10

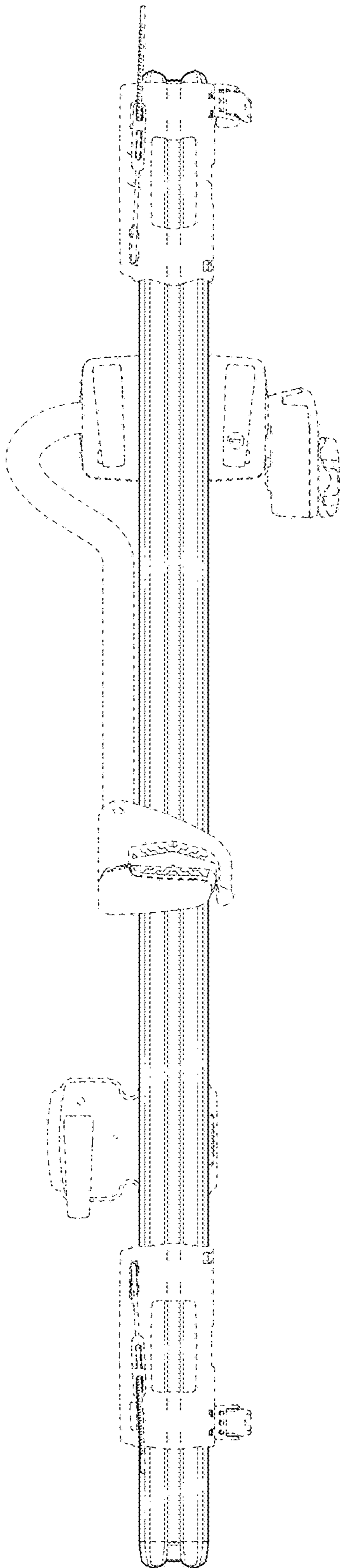


FIG. 12

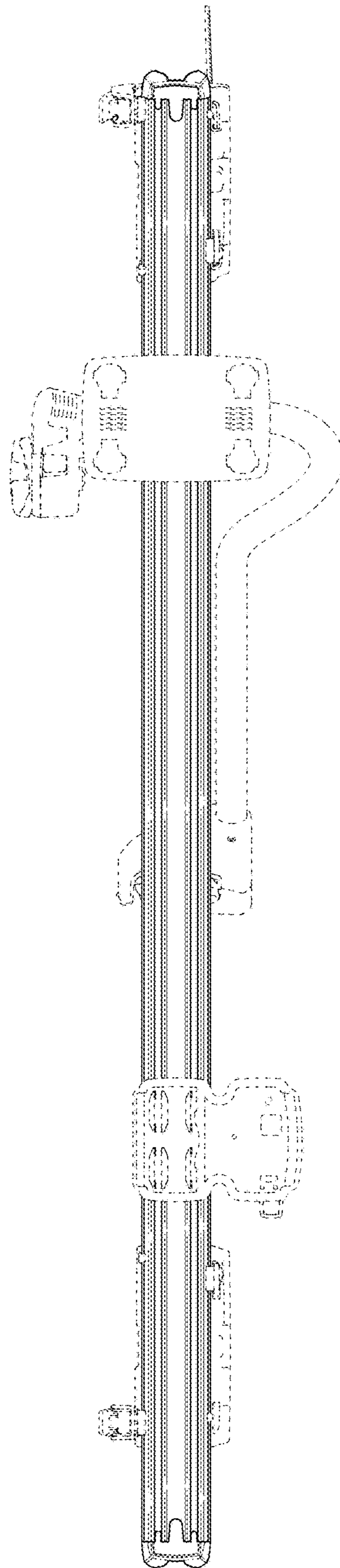


FIG. 13