



US00D829154S

(12) **United States Design Patent** (10) **Patent No.:** **US D829,154 S**
Verachttert et al. (45) **Date of Patent:** **** Sep. 25, 2018**

(54) **VEHICLE ROOF**
(71) Applicants: **Robin Tristan Serge Verachttert**,
Chardonne (CH); **Dennis Lloyd**
Shaffer, Jr., Henderson, NV (US)
(72) Inventors: **Robin Tristan Serge Verachttert**,
Chardonne (CH); **Dennis Lloyd**
Shaffer, Jr., Henderson, NV (US)
(**) Term: **15 Years**
(21) Appl. No.: **29/627,182**
(22) Filed: **Nov. 22, 2017**

2015/0336449 A1* 11/2015 Kamioku B60J 7/057
296/216.04
2016/0200183 A1* 7/2016 Holzel B60J 7/0435
296/216.05
2016/0214466 A1* 7/2016 Kolger B60J 7/0015
2017/0113523 A1* 4/2017 Holzel B60J 7/0435

* cited by examiner

Primary Examiner — Katrina A Betton
(74) *Attorney, Agent, or Firm* — Quickpatents, LLC;
Kevin Prince

(57) **CLAIM**

We claim the ornamental design for a vehicle roof, as shown and described.

Related U.S. Application Data

(62) Division of application No. 29/600,191, filed on Apr. 10, 2017, now Pat. No. Des. 808,886.
(51) **LOC (11) Cl.** **12-16**
(52) **U.S. Cl.**
USPC **D12/404**
(58) **Field of Classification Search**
USPC D12/401–405
CPC A47D 15/00; A47C 7/66; A47C 31/00;
A47G 9/068
See application file for complete search history.

DESCRIPTION

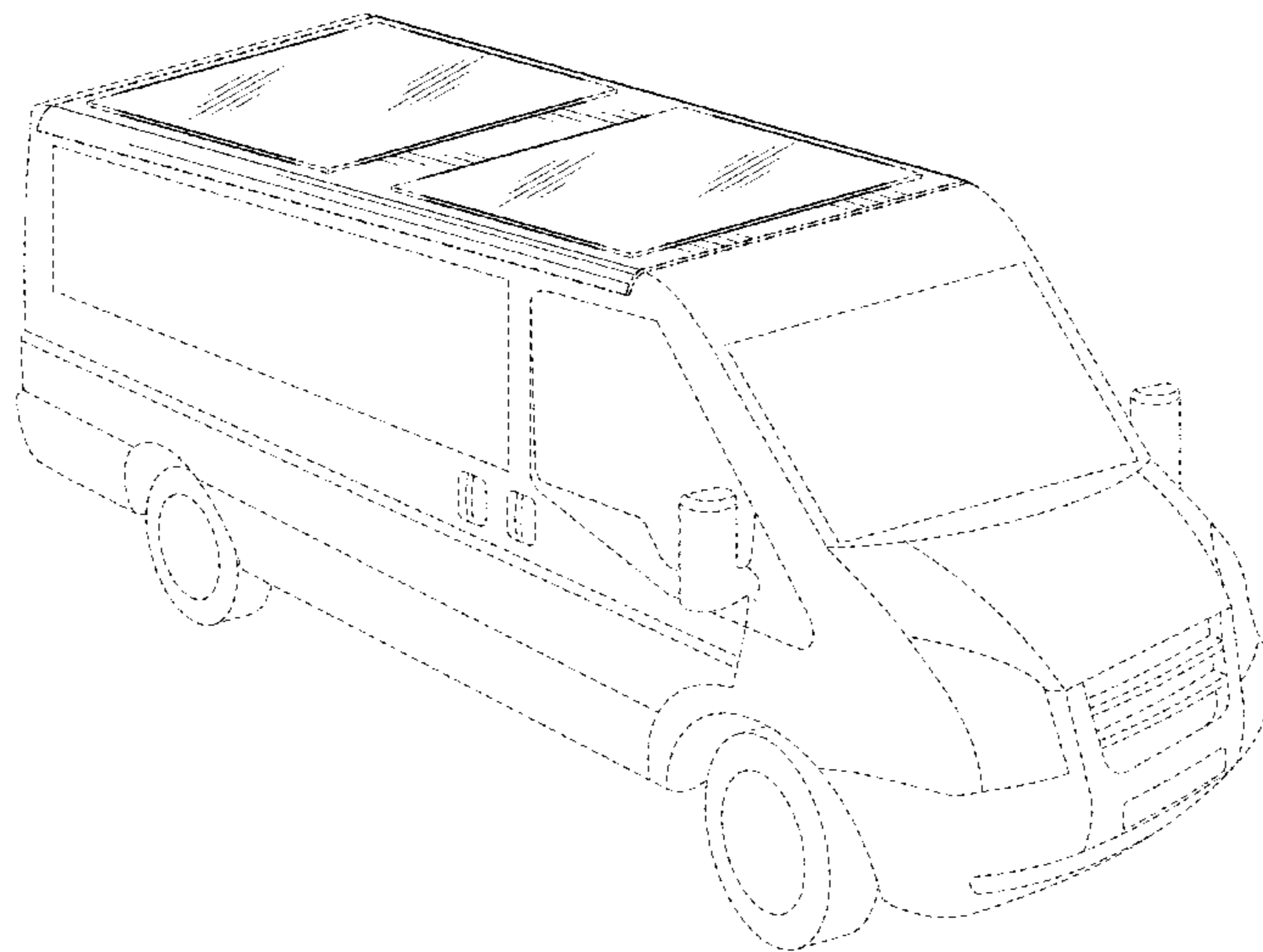
FIG. 1 is a top perspective view of a vehicle roof, showing a first embodiment of our new design;
FIG. 2 is a bottom perspective view of FIG. 1;
FIG. 3 is a top plan view of FIG. 1;
FIG. 4 is a bottom plan view of FIG. 1;
FIG. 5 is a front elevational view of FIG. 1, the rear elevational view being a mirror image thereof;
FIG. 6 is a left-side elevational view of FIG. 1, the right-side elevational view being a mirror image thereof;
FIG. 7 is a top perspective view of a second embodiment thereof;
FIG. 8 is a bottom perspective view of FIG. 7;
FIG. 9 is a top plan view of FIG. 7;
FIG. 10 is a bottom plan view of FIG. 7;
FIG. 11 is a front elevational view of FIG. 7, the rear elevational view being a mirror image thereof; and,
FIG. 12 is a left-side elevational view of FIG. 7, the right-side elevational view being a mirror image thereof.
The broken lines showing a vehicle and corner portions of the windows in the figures depict environmental matter and form no part of the claimed design. The remaining dot-dash broken lines represent a boundary of the claimed design.

(56) **References Cited**

U.S. PATENT DOCUMENTS

D438,840 S * 3/2001 Dowdey D12/404
D483,317 S * 12/2003 Dowdey D12/404
D625,680 S * 10/2010 de Waal D12/404
9,150,159 B1 * 10/2015 Meszaros B60R 9/045
D748,564 S * 2/2016 Frascella D12/404
2009/0066110 A1 * 3/2009 Beierl B60J 10/82
296/107.01
2012/0126583 A1 * 5/2012 Brown B60R 13/0231
296/210
2013/0257108 A1 * 10/2013 Sugimoto B60J 7/0007
296/214

1 Claim, 8 Drawing Sheets



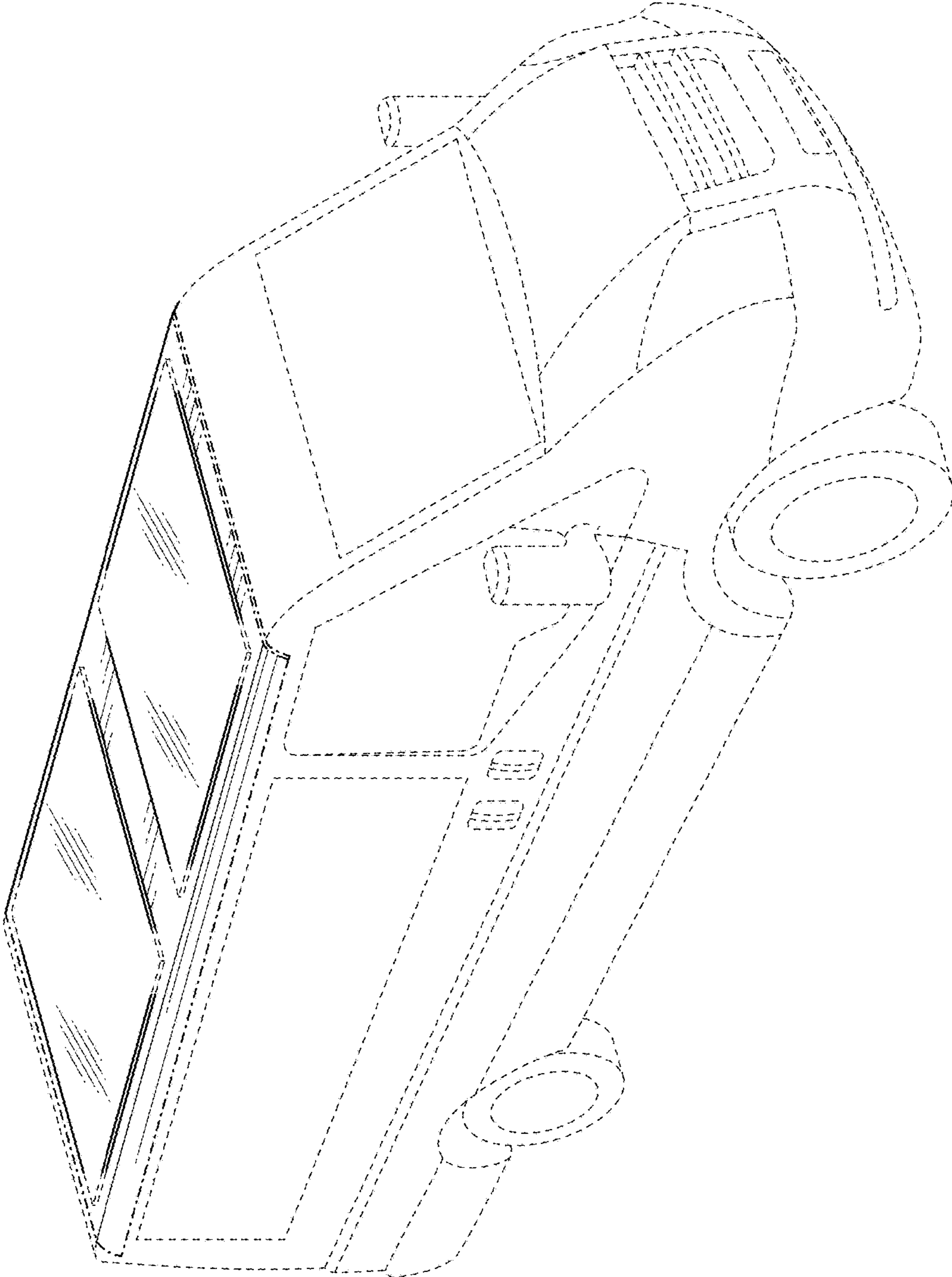


FIG. 1

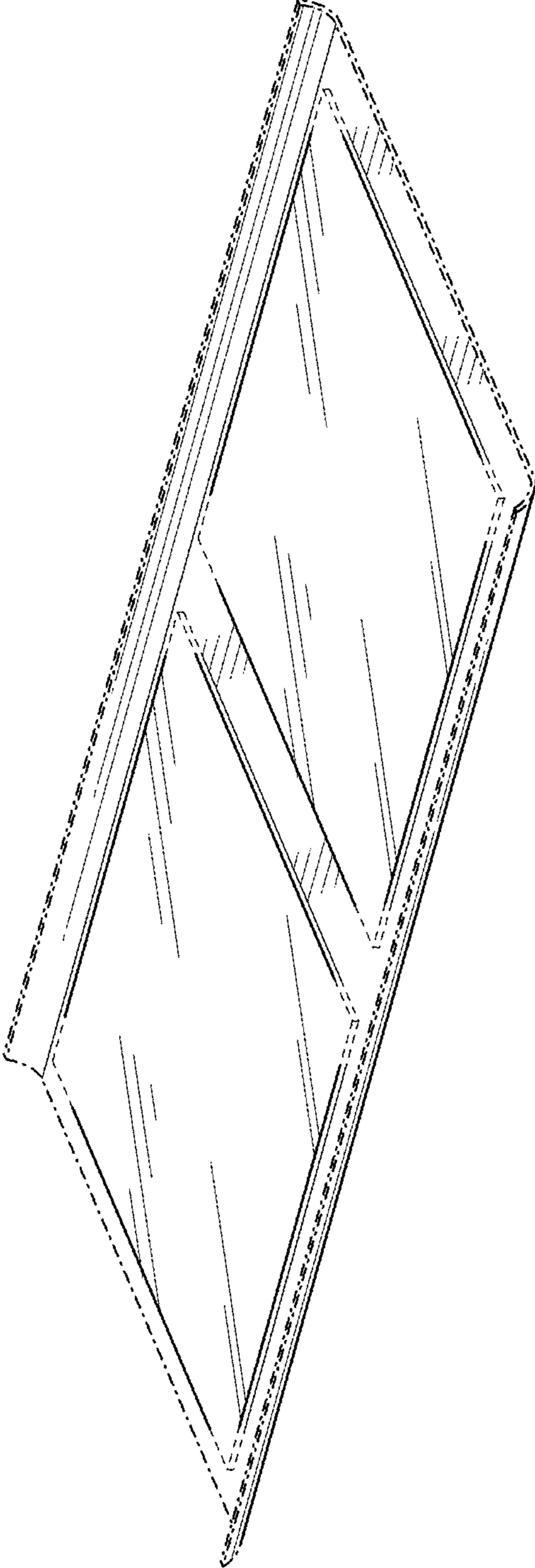


FIG. 2

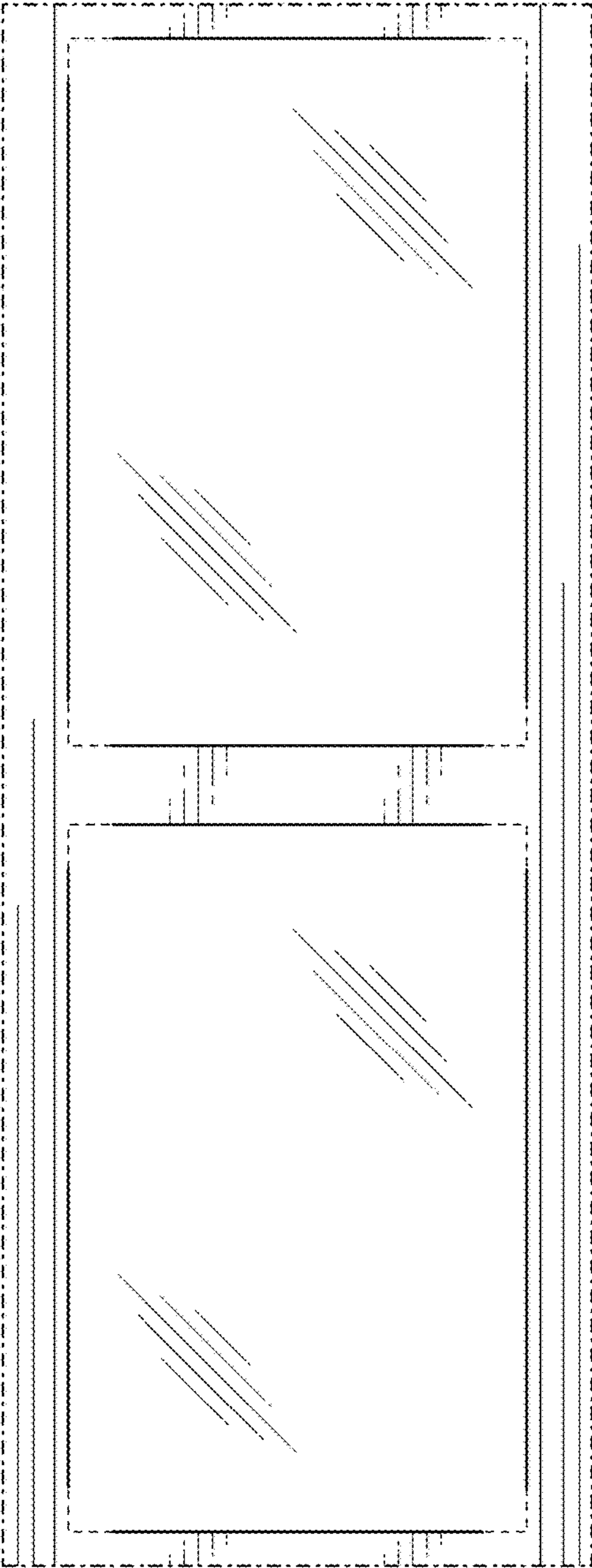


FIG. 3

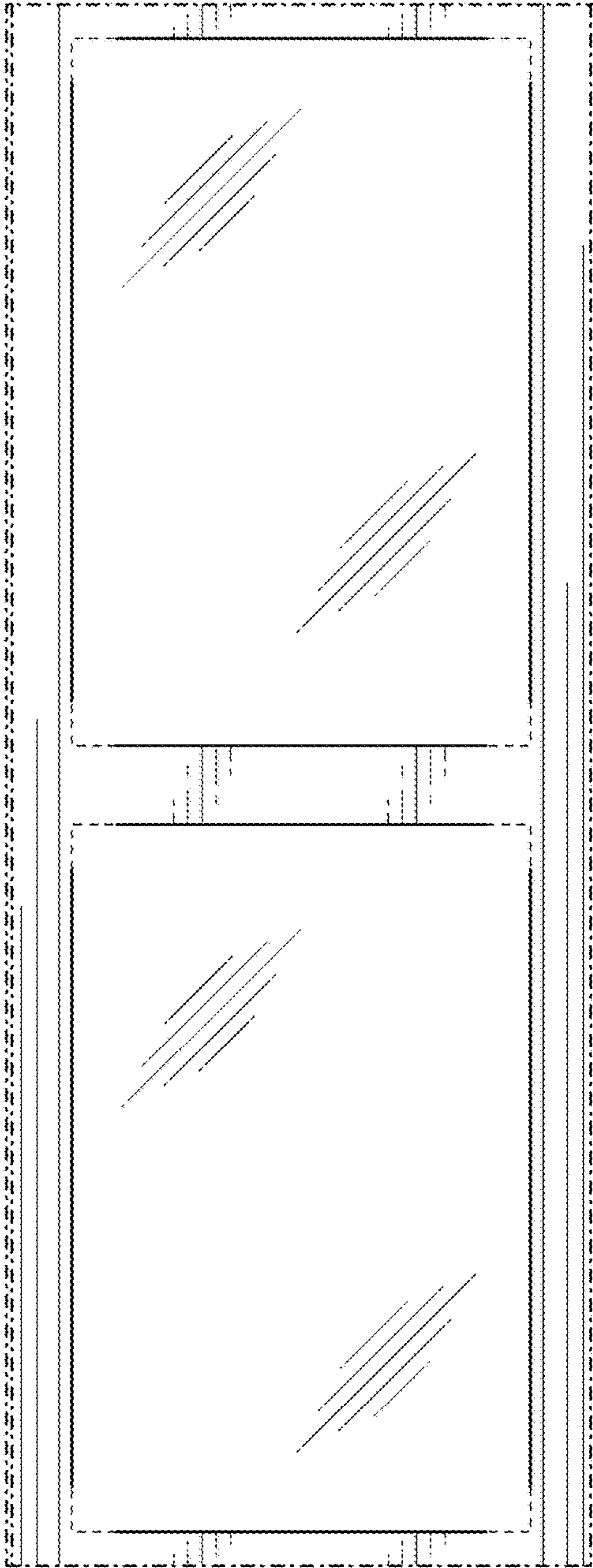


FIG. 4



FIG. 5

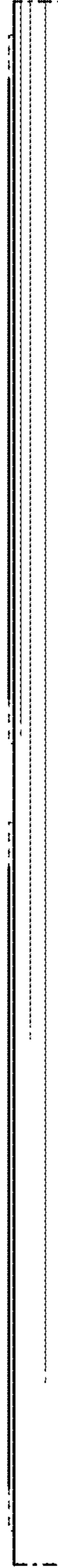


FIG. 6

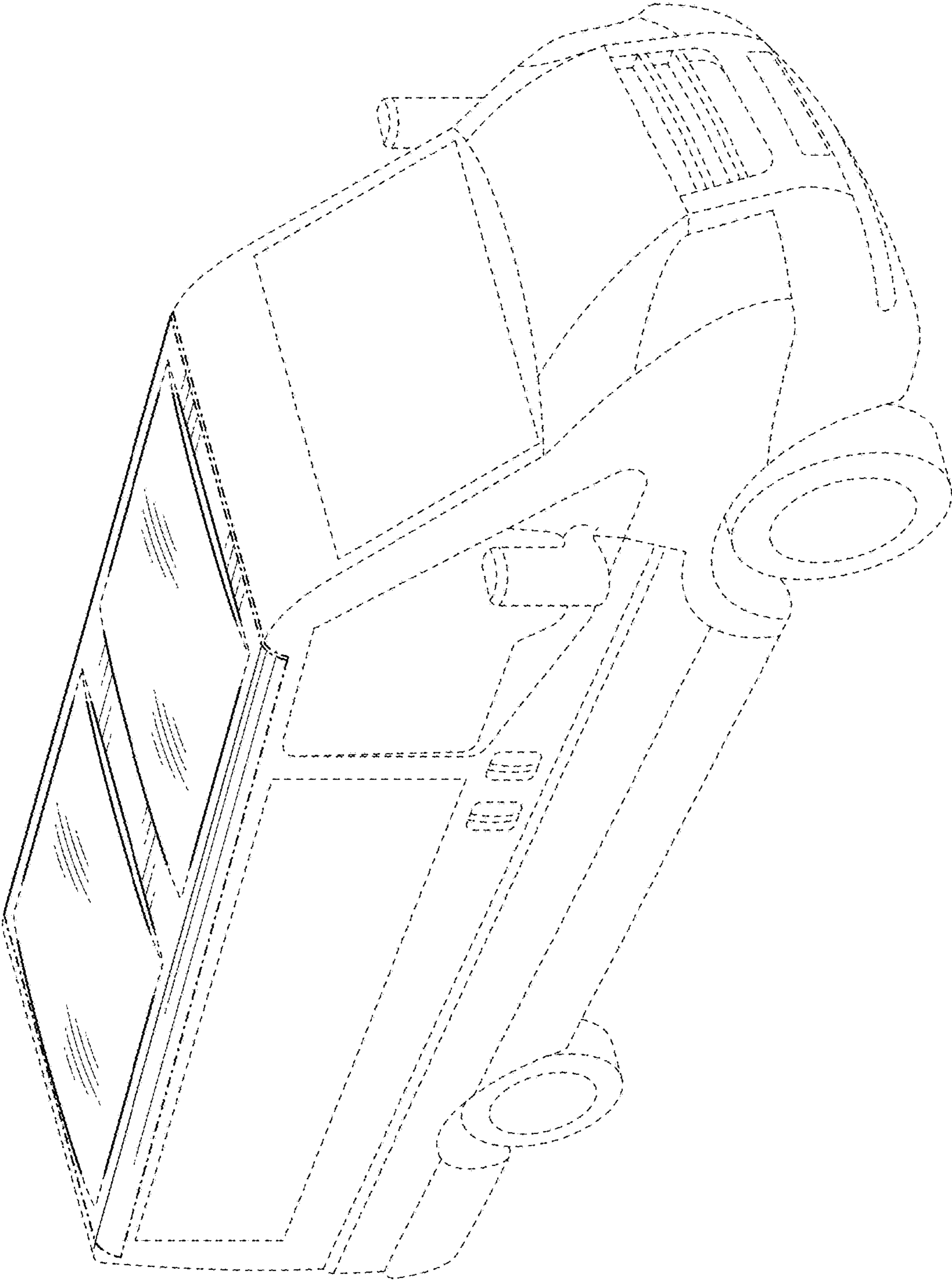


FIG. 7

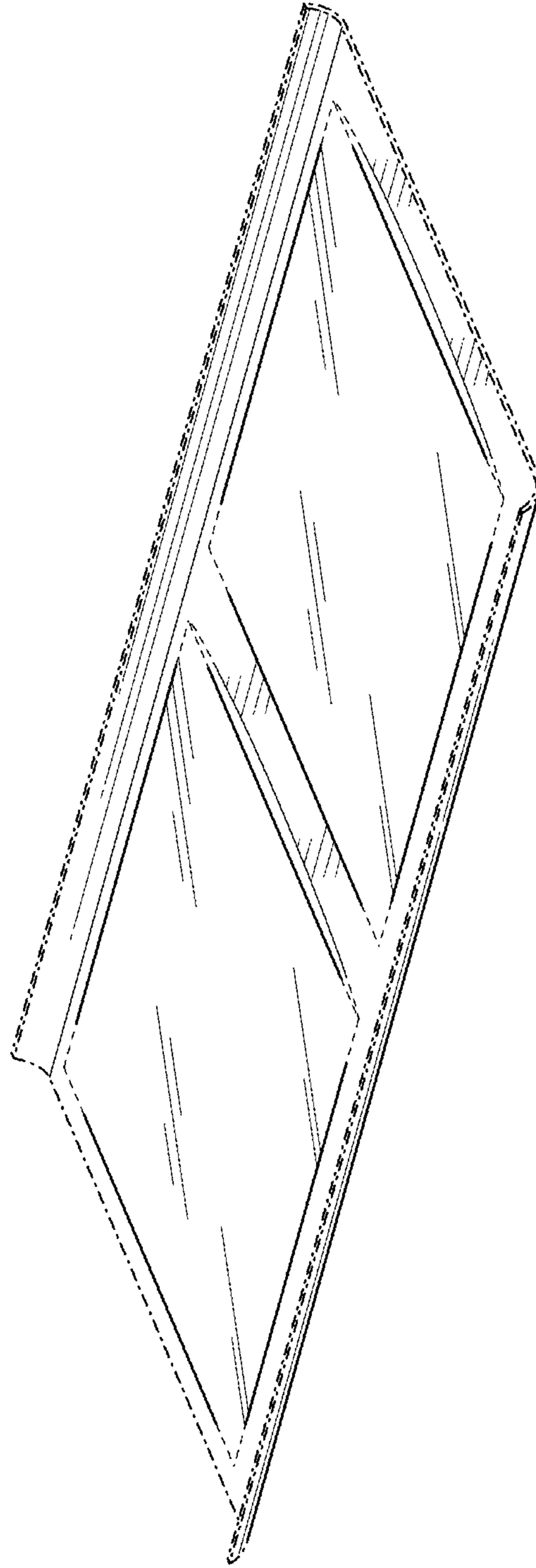


FIG. 8

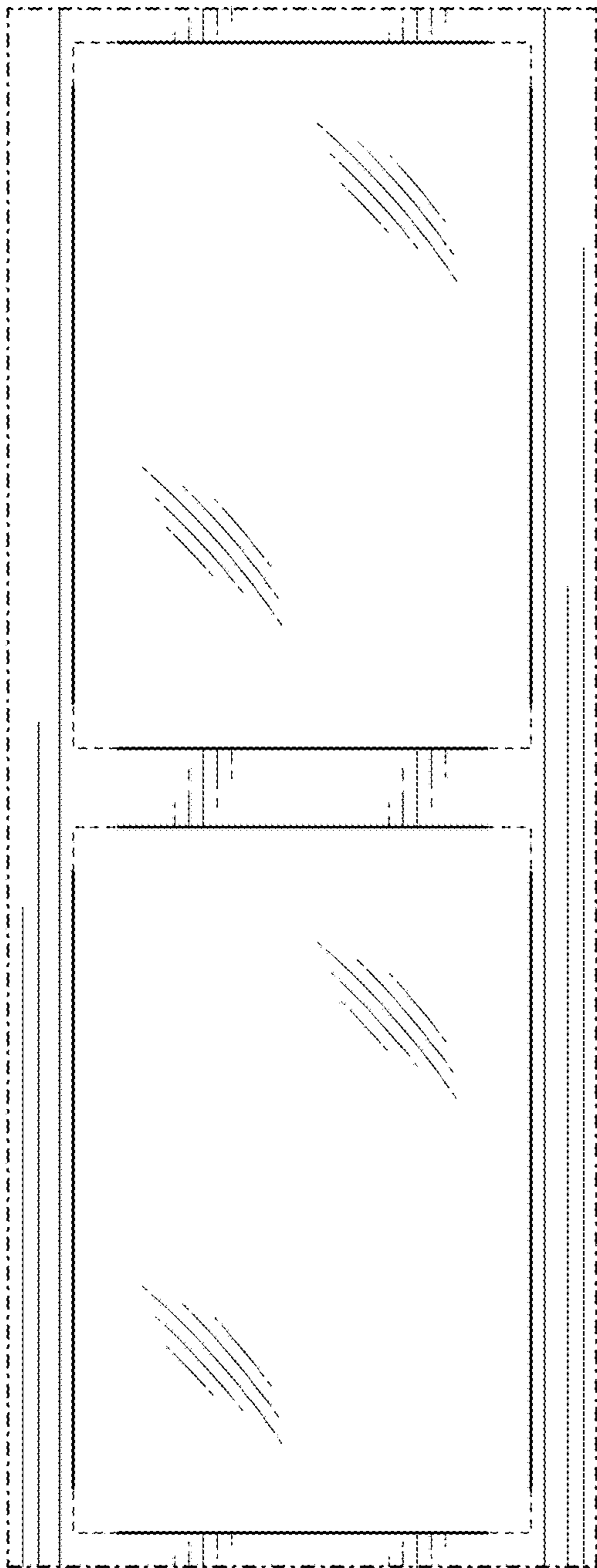


FIG. 9

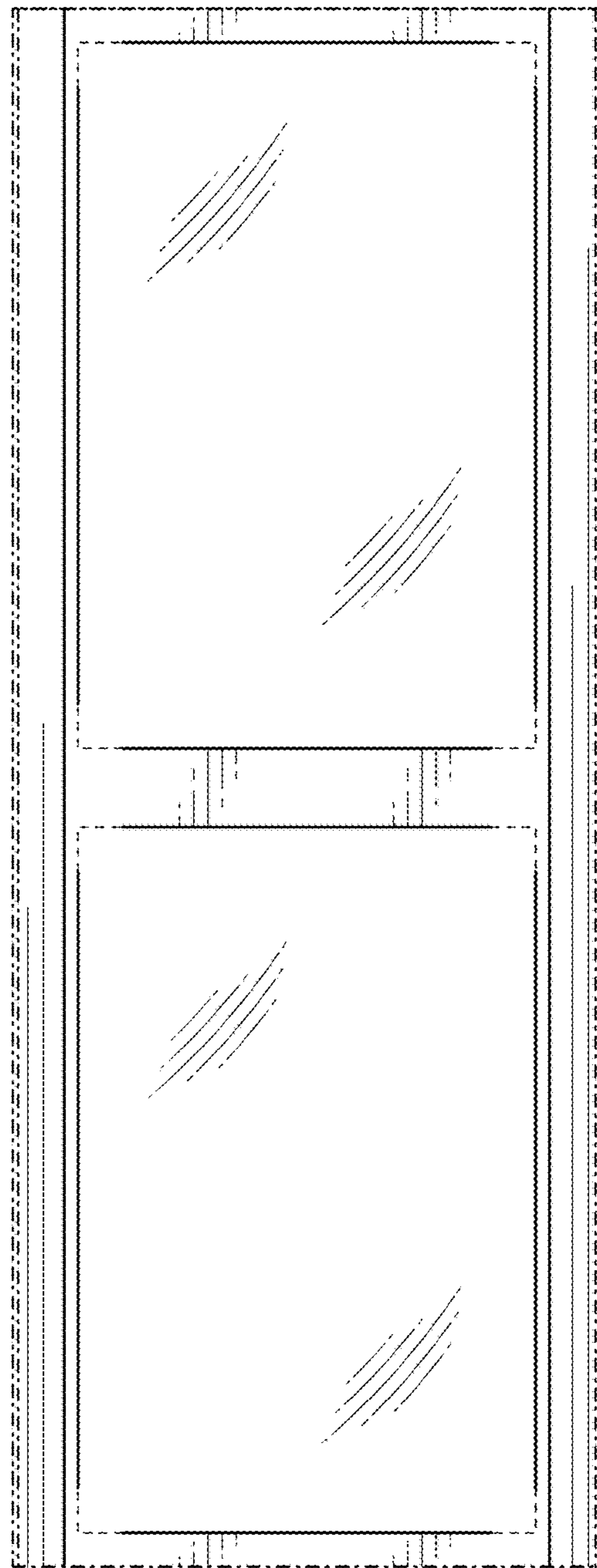


FIG. 10

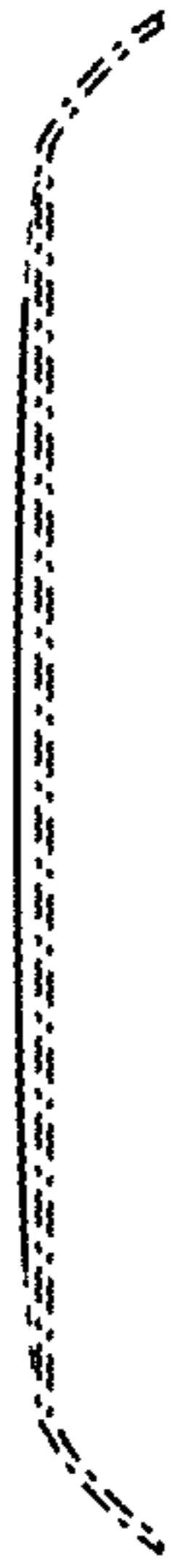


FIG. 11



FIG. 12