



US00D829152S

(12) **United States Design Patent**
Caldwell

(10) **Patent No.:** **US D829,152 S**

(45) **Date of Patent:** **** Sep. 25, 2018**

(54) **WHEEL**

(71) Applicant: **Wheel Pros, LLC**, Greenwood Village, CO (US)

(72) Inventor: **Robert Caldwell**, Grand Junction, CO (US)

(**) Term: **15 Years**

(21) Appl. No.: **29/579,962**

(22) Filed: **Oct. 4, 2016**

(51) **LOC (11) Cl.** **12-16**

(52) **U.S. Cl.**
USPC **D12/209**

(58) **Field of Classification Search**

USPC D12/204–213; D21/533, 561, 563
CPC B60B 7/00; B60B 7/01; B60B 7/02; B60B 7/04; B60B 7/06; B60B 7/063; B60B 3/02; B60B 3/04; B60B 3/06; B60B 3/10; B60B 1/00; B60B 1/08; B60B 1/10; B60B 1/12

See application file for complete search history.

(56) **References Cited**

U.S. PATENT DOCUMENTS

| | | | | | |
|------------|---|---------|-----------|-------|---------|
| D250,705 S | * | 1/1979 | Doi | | D12/211 |
| D273,102 S | | 3/1984 | Woodward | | |
| D291,796 S | | 9/1987 | Reid | | |
| D356,538 S | * | 3/1995 | Botterman | | D12/209 |
| D358,360 S | * | 5/1995 | Botterman | | D12/211 |
| D360,867 S | * | 8/1995 | Botterman | | D12/211 |
| D361,975 S | | 9/1995 | Weld | | |
| D408,775 S | | 4/1999 | Shikado | | |
| D453,724 S | | 2/2002 | Hodges | | |
| D455,698 S | | 4/2002 | Chung | | |
| D456,332 S | | 4/2002 | Vian | | |
| D464,010 S | | 10/2002 | Chung | | |
| D467,212 S | | 12/2002 | Noriega | | |

| | | | | | |
|------------|---|---------|---------------|-------|---------|
| D478,542 S | | 8/2003 | Sulahian | | |
| D482,996 S | | 12/2003 | Sulahian | | |
| D492,925 S | | 7/2004 | Fitzgerald | | |
| D496,317 S | | 9/2004 | Kataoka | | |
| D504,859 S | | 5/2005 | Sulahian | | |
| D519,433 S | | 4/2006 | Finn | | |
| D526,260 S | * | 8/2006 | Whitehead | | D12/204 |
| D527,324 S | * | 8/2006 | Whitehead | | D12/204 |
| D550,600 S | | 9/2007 | Celik | | |
| D569,777 S | | 5/2008 | Chung | | |
| D576,093 S | | 9/2008 | Chung | | |
| D576,936 S | | 9/2008 | Imai | | |
| D578,457 S | | 10/2008 | Guidry | | |
| D582,827 S | | 12/2008 | Musser | | |
| D598,357 S | | 8/2009 | Chung | | |
| D612,316 S | | 3/2010 | Sanschagrin | | |
| D638,767 S | | 5/2011 | Groom | | |
| D658,106 S | * | 4/2012 | Turner | | D12/211 |
| D662,021 S | * | 6/2012 | Grossenbacher | | D12/209 |
| D669,009 S | | 10/2012 | Chung | | |
| D680,938 S | | 4/2013 | Hale | | |
| D695,193 S | | 12/2013 | Kong | | |
| D698,298 S | | 1/2014 | Cortes | | |
| D698,300 S | | 1/2014 | Chung | | |
| D711,304 S | | 8/2014 | Chung | | |
| D715,211 S | | 10/2014 | Gotschke | | |

(Continued)

Primary Examiner — Sheryl Lane

Assistant Examiner — Calvin E Vansant

(74) *Attorney, Agent, or Firm* — Eric Hanscom

(57) **CLAIM**

The ornamental design for a wheel, as shown and described.

DESCRIPTION

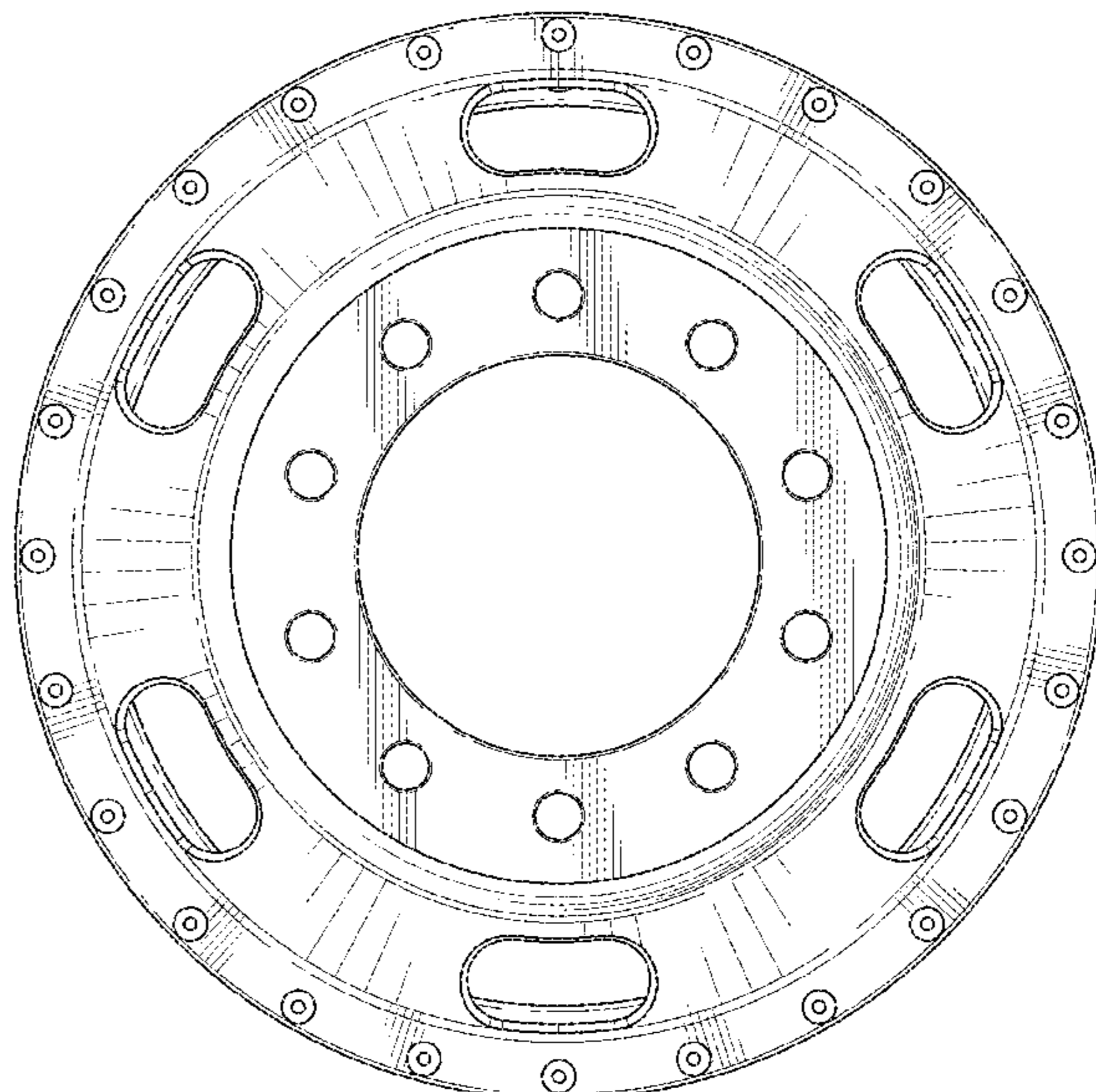
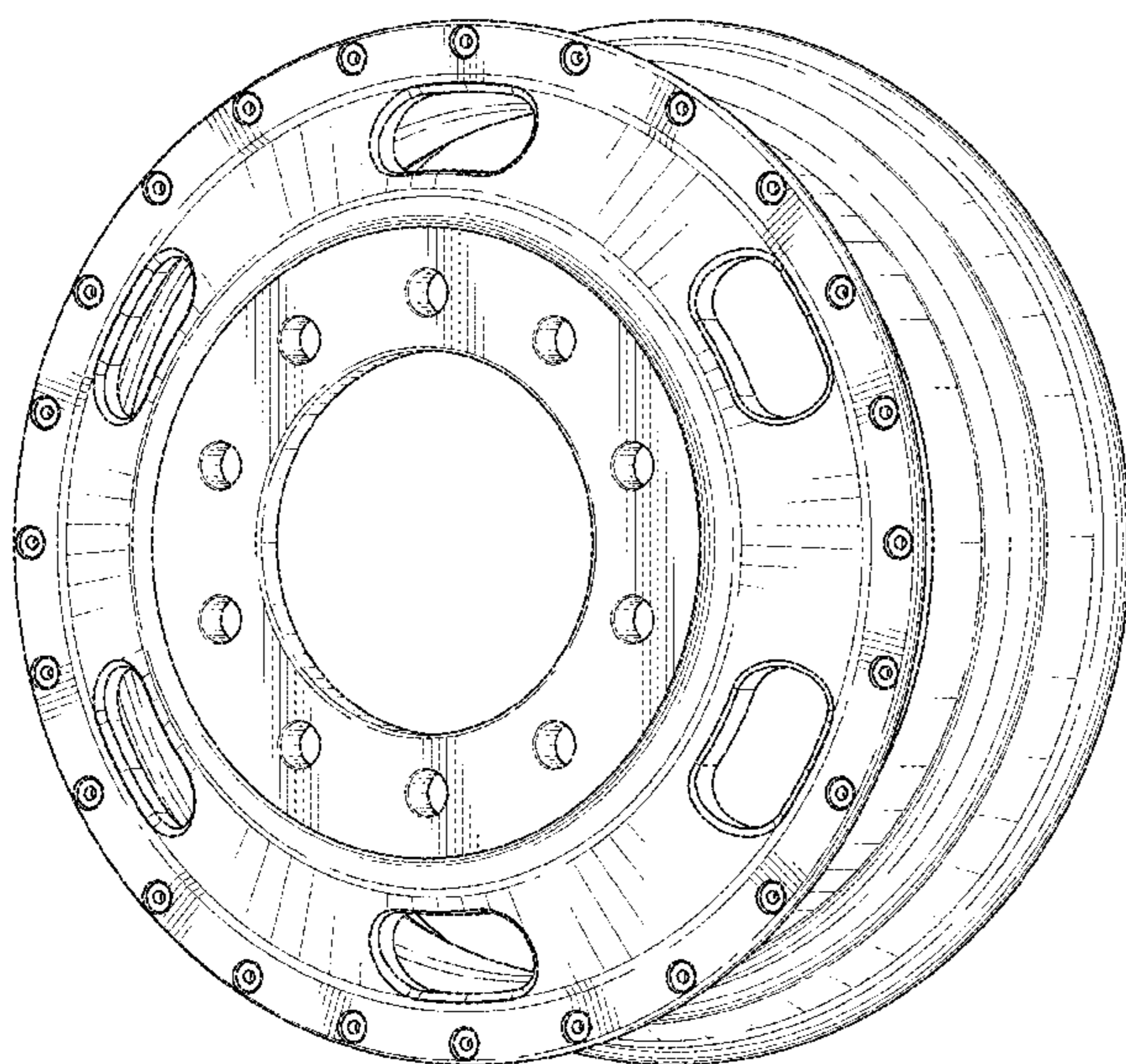
FIG. 1 is a perspective view of a wheel showing my new design;

FIG. 2 is a front view thereof;

FIG. 3 is a back view thereof; and,

FIG. 4 is a left-side view thereof.

1 Claim, 4 Drawing Sheets



(56)

References Cited

U.S. PATENT DOCUMENTS

D726,628 S 4/2015 Kong
D773,974 S * 12/2016 DeGeorge D12/208

* cited by examiner

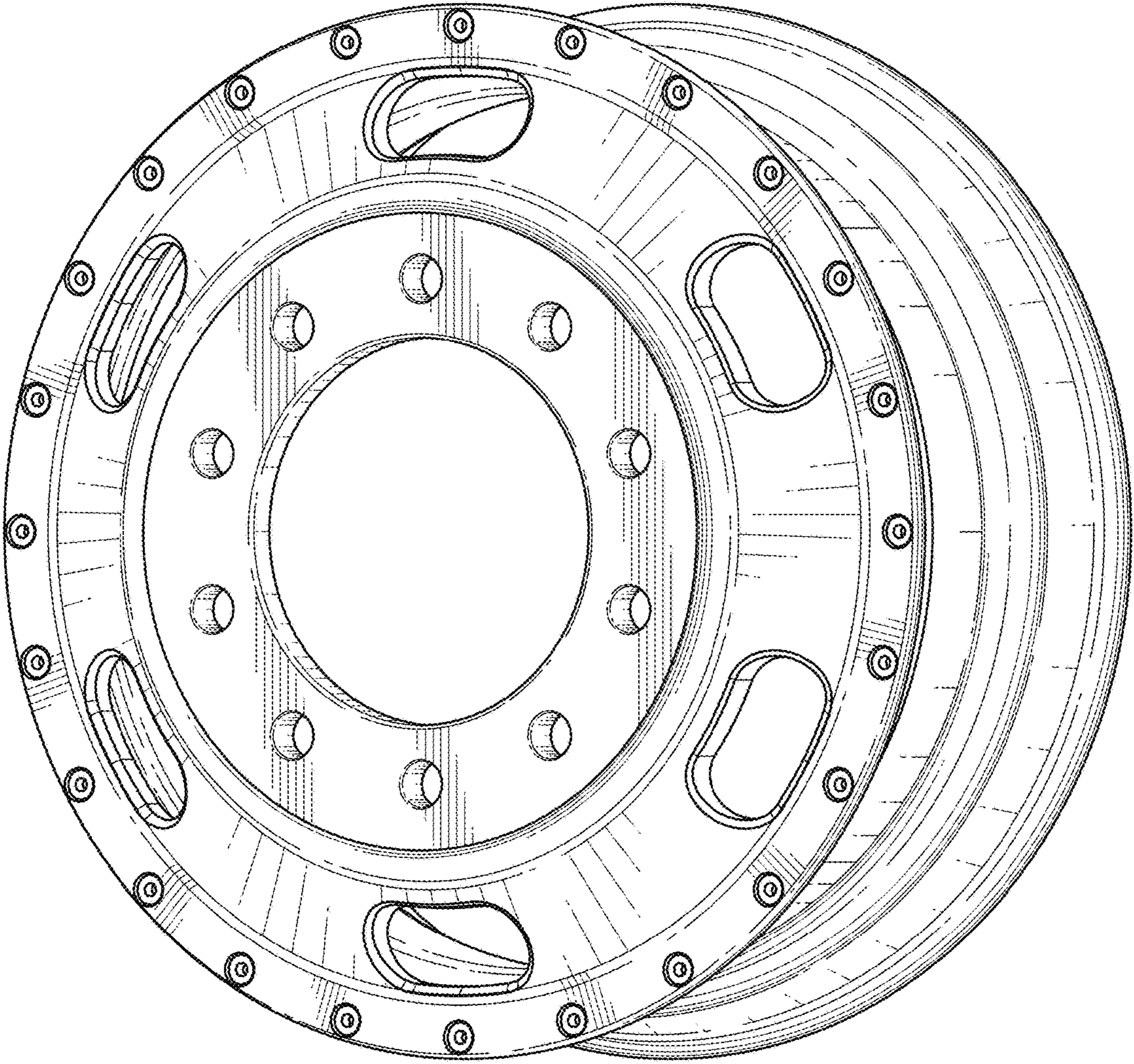


FIG. 1

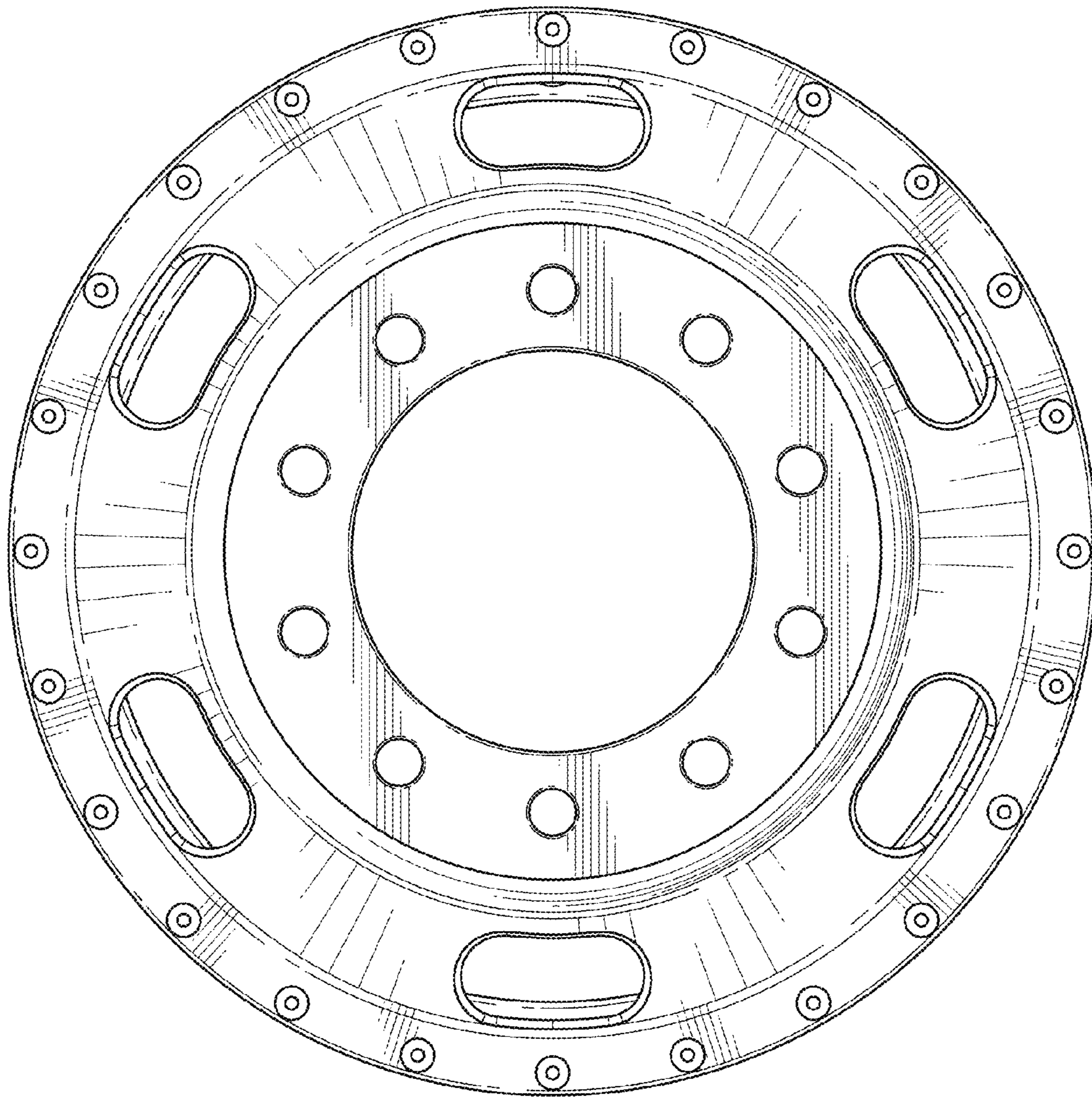


FIG. 2

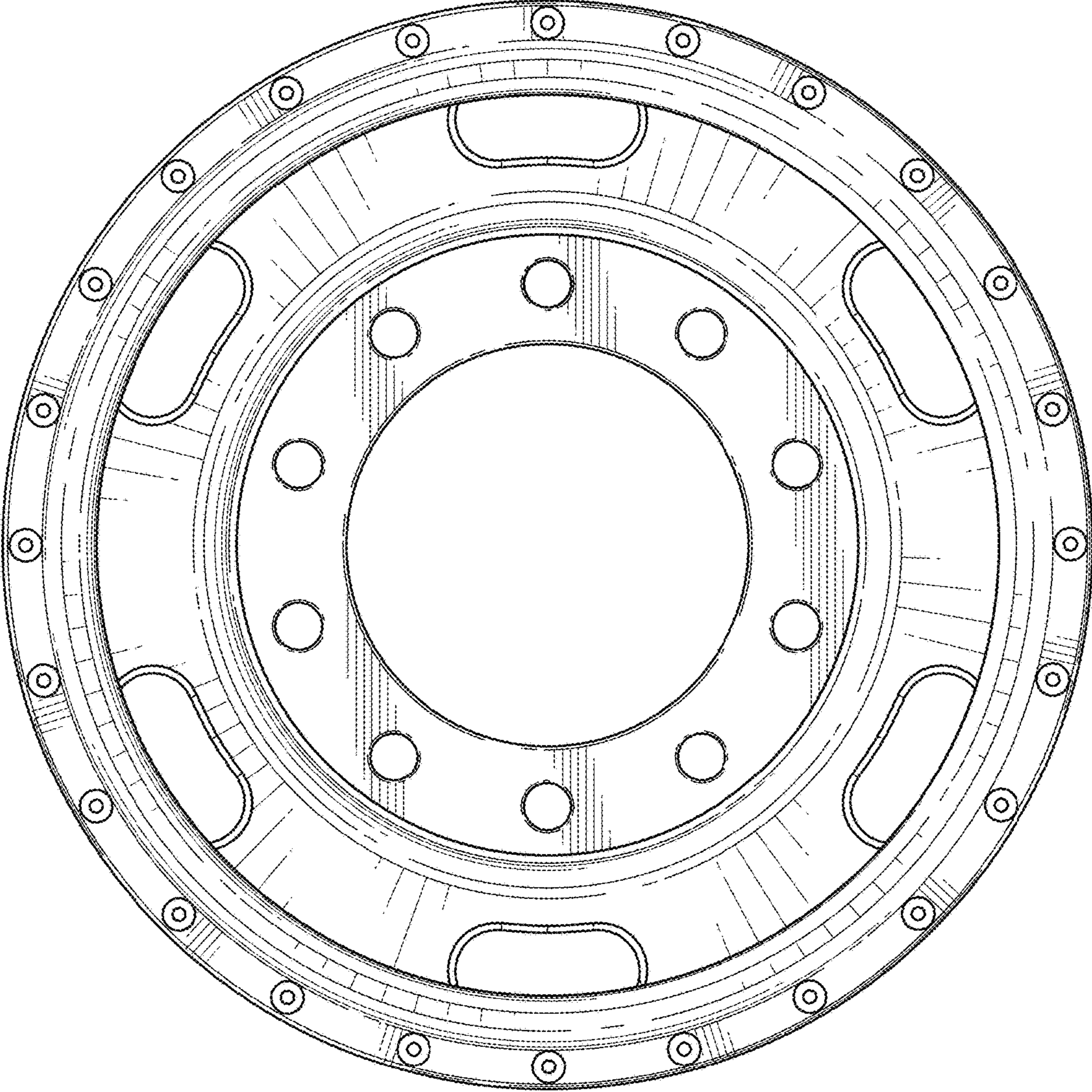


FIG. 3

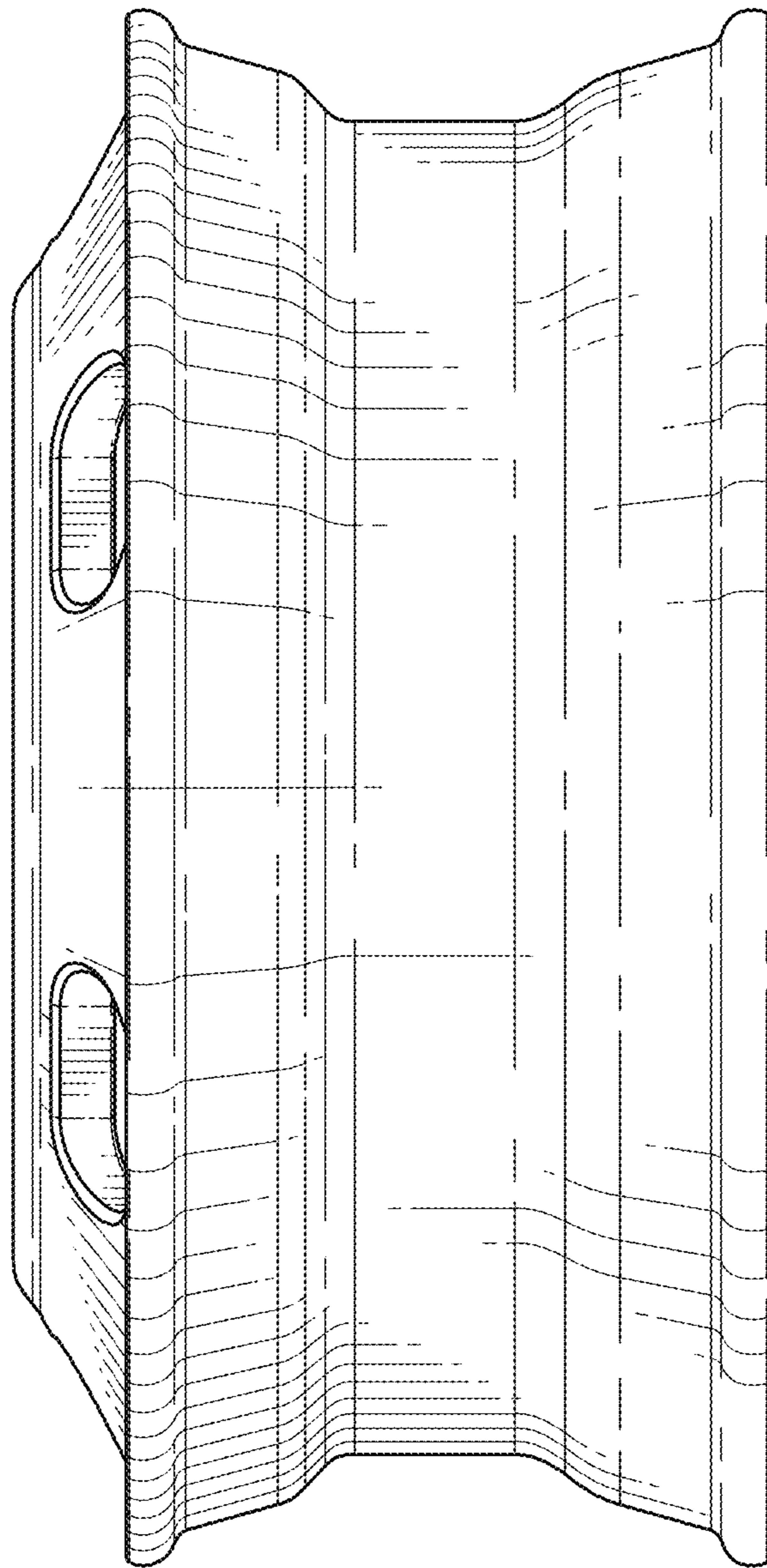


FIG. 4