



US00D829142S

(12) **United States Design Patent**
Sheffield et al.

(10) **Patent No.:** **US D829,142 S**

(45) **Date of Patent:** **** Sep. 25, 2018**

(54) **VEHICLE DOOR**

(71) Applicant: **NIO NEXTEV LIMITED**, Hong Kong (HK)

(72) Inventors: **Andrew Sheffield**, Hong Kong (HK);
David Hilton, Hong Kong (HK)

(**) Term: **15 Years**

(21) Appl. No.: **29/591,724**

(22) Filed: **Jan. 23, 2017**

(30) **Foreign Application Priority Data**

Jul. 29, 2016 (EP) 003324532

(51) **LOC (11) Cl.** **12-16**

(52) **U.S. Cl.**
USPC **D12/195**

(58) **Field of Classification Search**
USPC D12/195, 193, 414, 190, 196; D15/17,
D15/28; D10/46, 98, 102-103;
D8/302-303
CPC B60J 5/04; B60R 13/0243; B60R 13/02;
B60N 2/4693
See application file for complete search history.

(56) **References Cited**

U.S. PATENT DOCUMENTS

D743,312 S * 11/2015 Iwauchi D12/195
D743,863 S * 11/2015 Finney D12/195

D756,873 S * 5/2016 Donckerwolke D12/195
D761,176 S * 7/2016 Sandys D12/195
D763,757 S * 8/2016 Buffery D12/195
D766,791 S * 9/2016 Buffery D12/195
D766,792 S * 9/2016 Shimizu D12/195
D768,042 S * 10/2016 Lee D12/195
D783,481 S * 4/2017 Yamamoto D12/195
D784,882 S * 4/2017 Lee D12/195
D784,883 S * 4/2017 Lee D12/195
D801,899 S * 11/2017 Watkin D12/195

* cited by examiner

Primary Examiner — Katrina A Betton

(74) *Attorney, Agent, or Firm* — Hogan Lovells US LLP

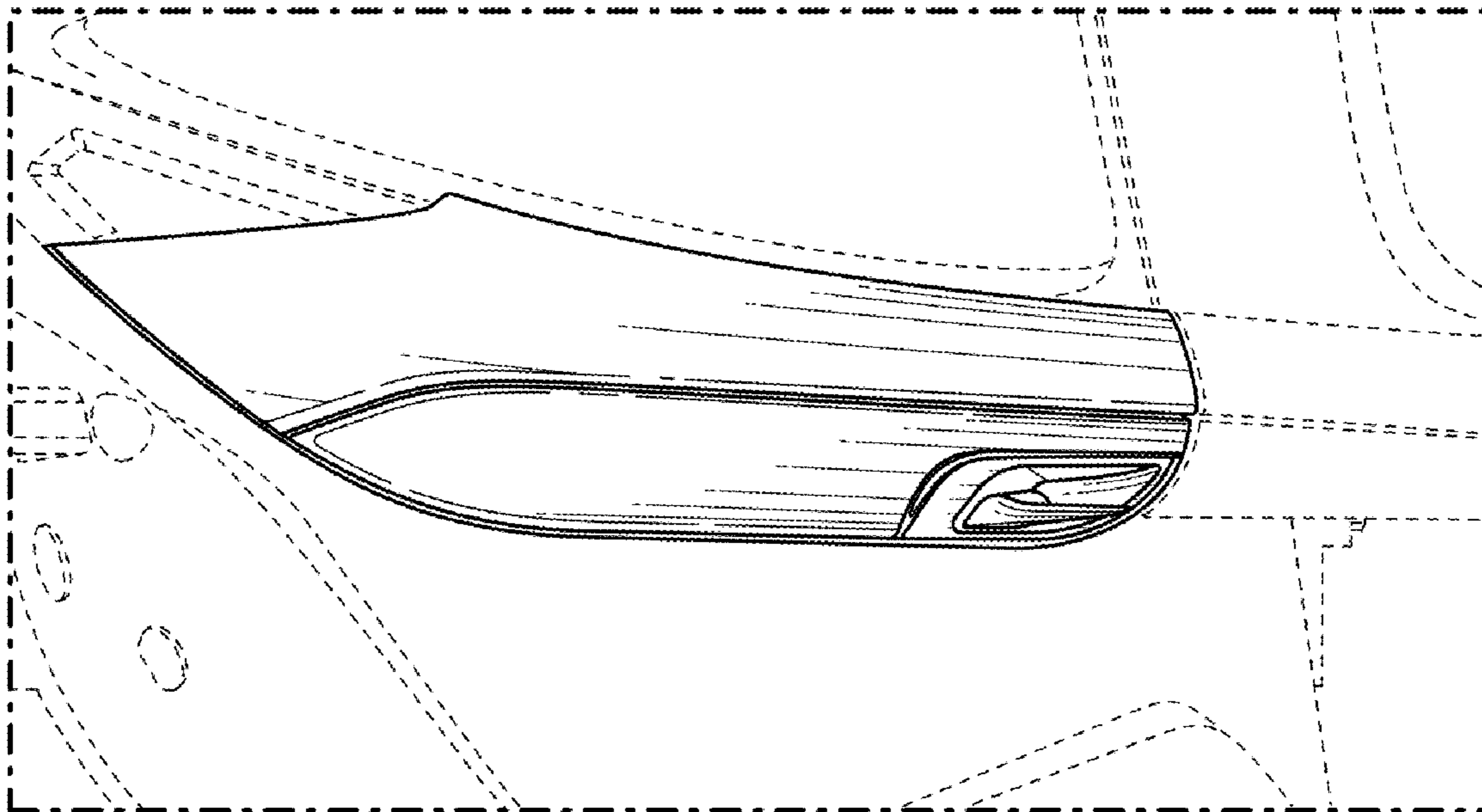
(57) **CLAIM**

The ornamental design for a vehicle door, as shown and described.

DESCRIPTION

FIG. 1 is a perspective view thereof;
FIG. 2 is a view of the door from inside the car;
FIG. 3 is a view of the door from inside the car; and,
FIG. 4 is a view of the door from inside the car.
The broken lines showing parts of the door are included for purposes of illustrating environment and form no part of the claimed design.

1 Claim, 4 Drawing Sheets



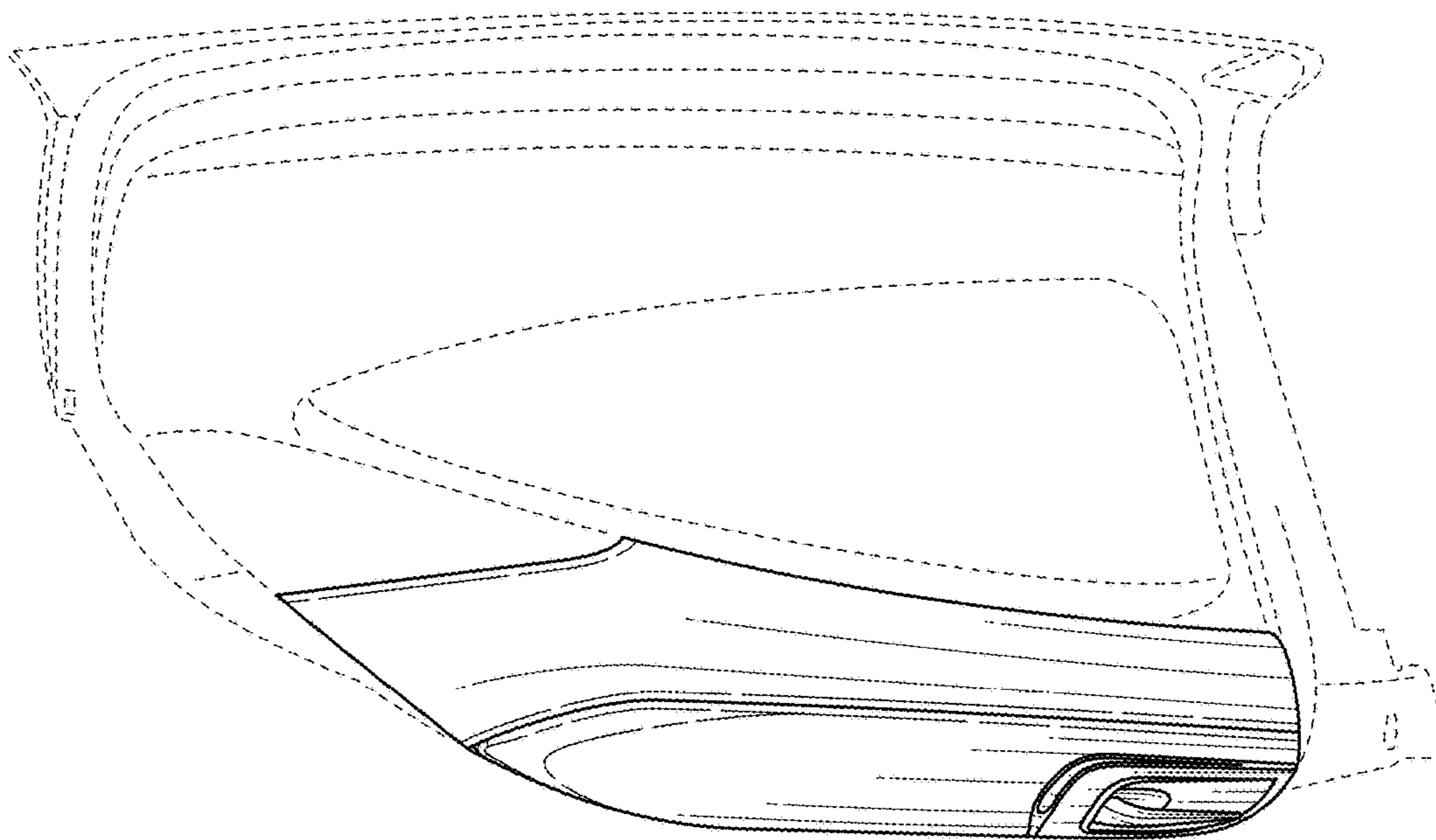


FIG. 1

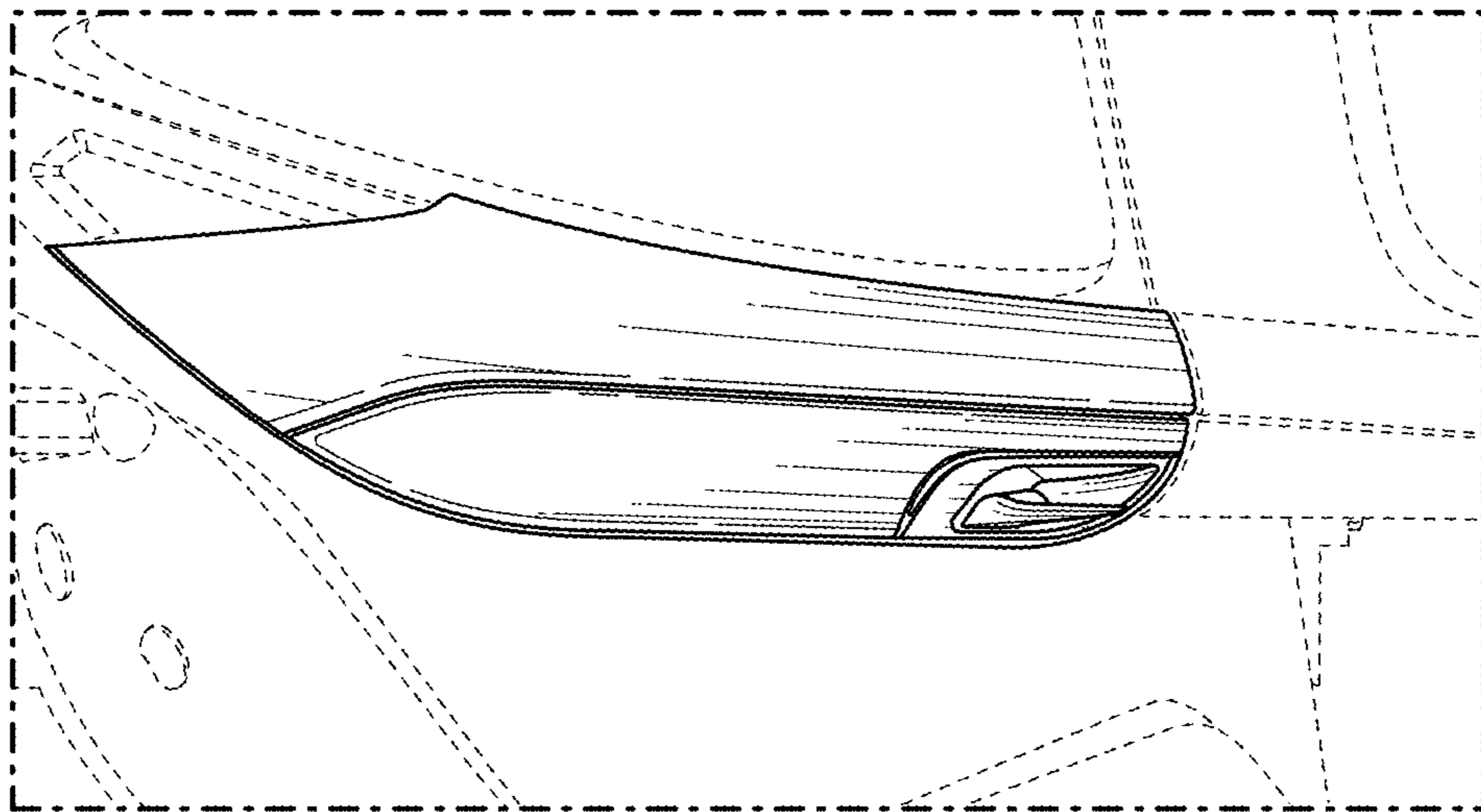


FIG. 2

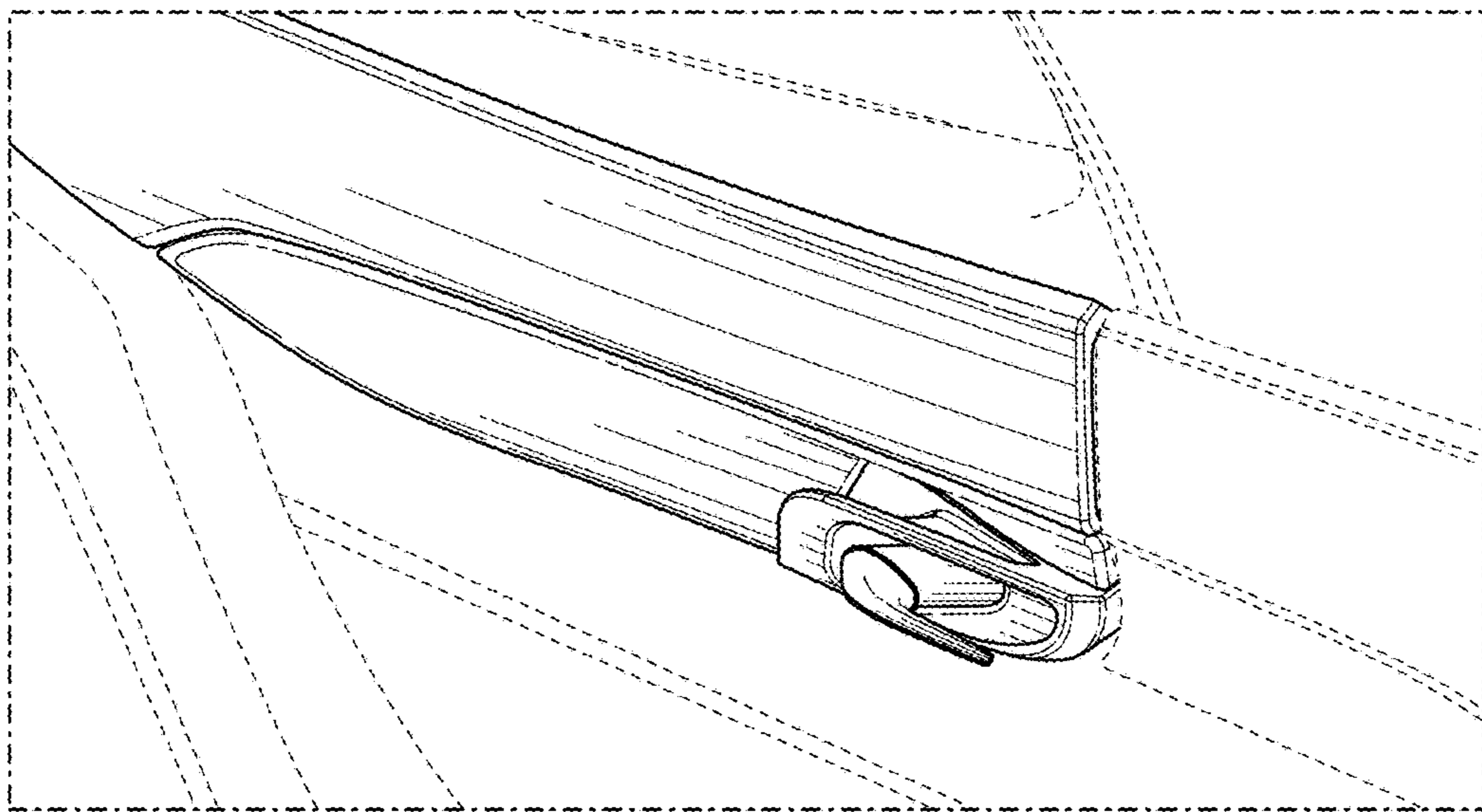


FIG. 3

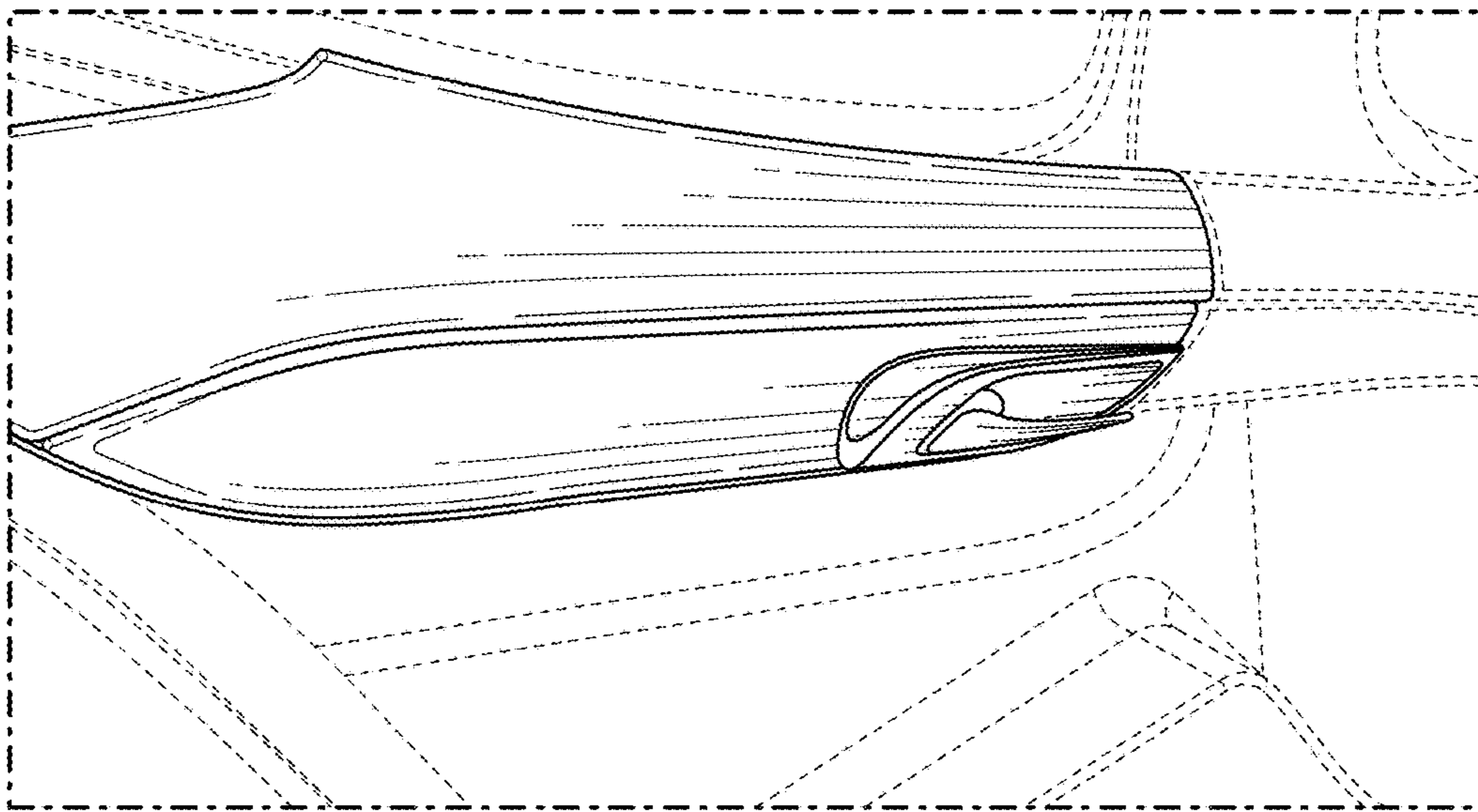


FIG. 4