

US00D829137S

(12) **United States Design Patent**
Hommen et al.

(10) **Patent No.:** **US D829,137 S**
(45) **Date of Patent:** **** Sep. 25, 2018**

(54) **CHAIR FOR TOILET AND SHOWER**

9,259,370 B2 * 2/2016 Gabriely A61G 5/00
D801,880 S * 11/2017 Ahlbertz D12/131
2003/0030251 A1 * 2/2003 Malassigne A61G 5/08
280/648

(71) Applicant: **Lopital Nederland B.V.**, Oisterwijk
(NL)

(72) Inventors: **Roland Hommen**, Oisterwijk (NL);
Kim van Aalten, Huissen (NL)

(73) Assignee: **Lopital Nederland B.V.** (NL)

(**) Term: **15 Years**

(21) Appl. No.: **29/594,095**

(22) Filed: **Feb. 15, 2017**

(51) **LOC (11) Cl.** **12-12**

(52) **U.S. Cl.**
USPC **D12/131**

(58) **Field of Classification Search**
USPC D12/128-133
CPC A61G 5/00-5/14
See application file for complete search history.

(56) **References Cited**

U.S. PATENT DOCUMENTS

D360,172 S * 7/1995 Francke D12/128
D439,869 S * 4/2001 Kjell D12/128

* cited by examiner

Primary Examiner — Charles D Hanson

(74) *Attorney, Agent, or Firm* — Laubscher, Spendlove &
Laubscher, P.C.

(57) **CLAIM**

The ornamental design for a chair for toilet and shower, as
shown.

DESCRIPTION

FIG. 1 is a front perspective view thereof;
FIG. 2 is a front elevation view thereof;
FIG. 3 is a rear elevation view thereof;
FIG. 4 is a right elevation view thereof
FIG. 5 is a left elevation view thereof;
FIG. 6 is a top elevation view thereof; and,
FIG. 7 is a bottom elevation view thereof.

1 Claim, 7 Drawing Sheets

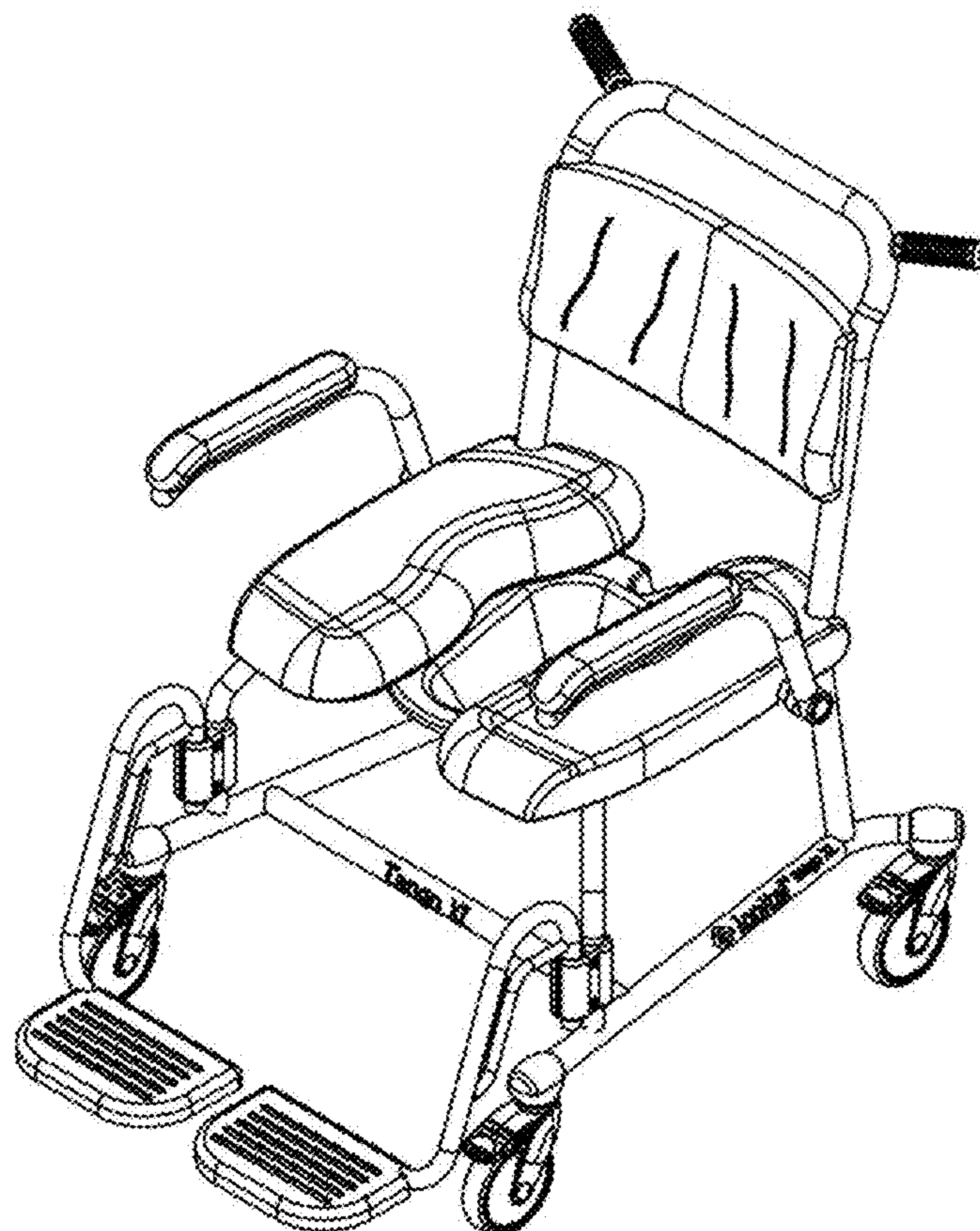




FIG. 1

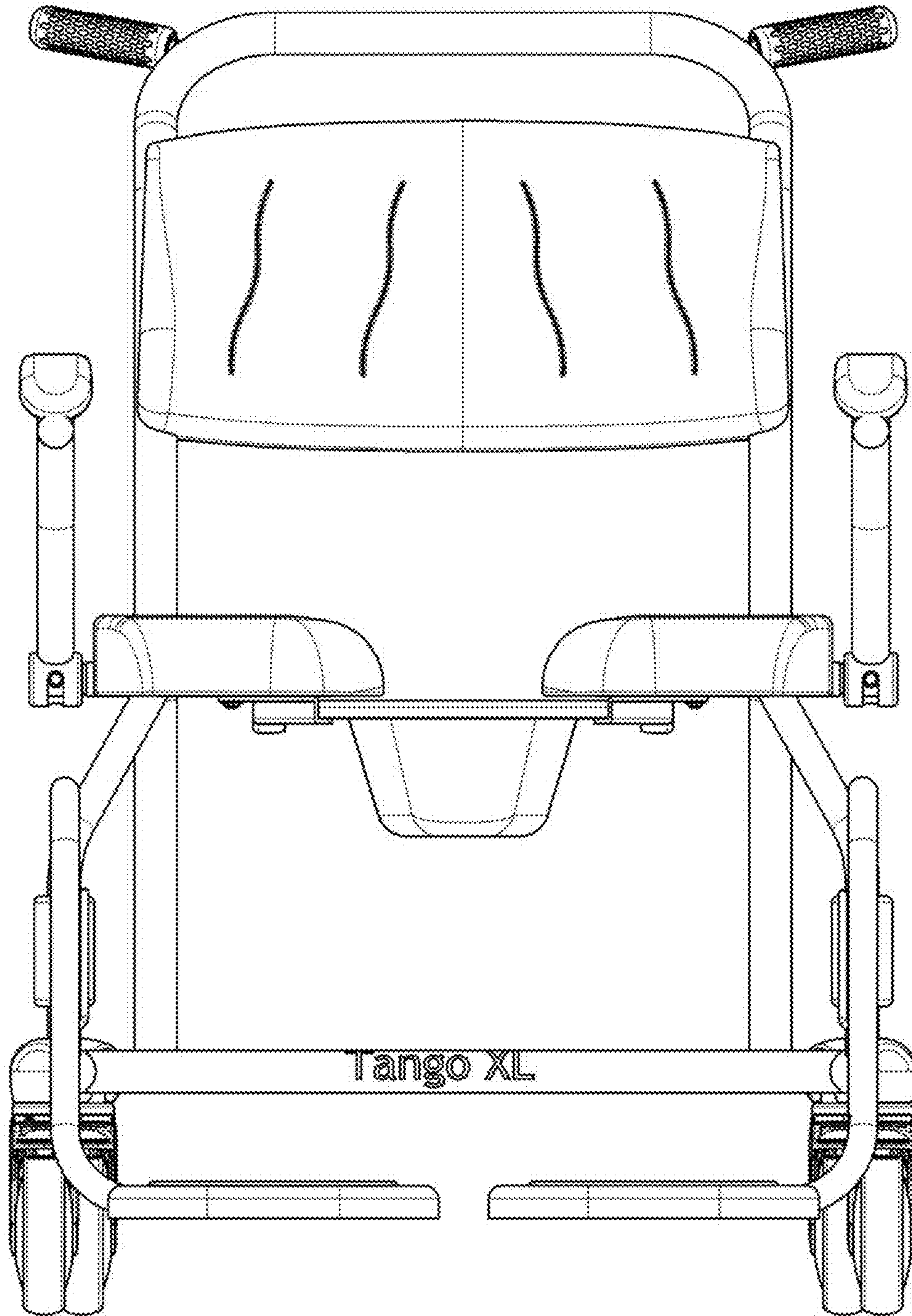


FIG. 2

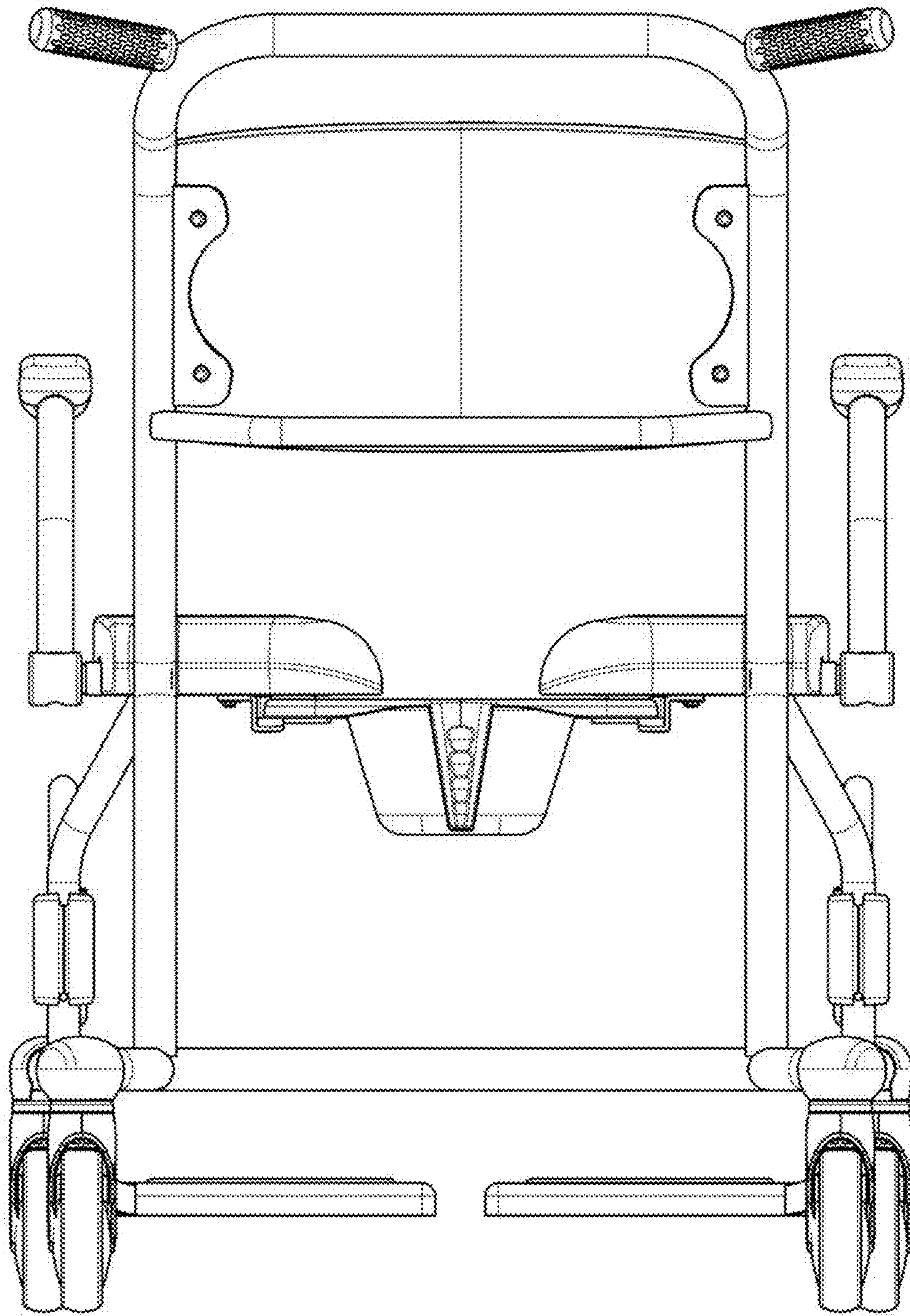


FIG. 3

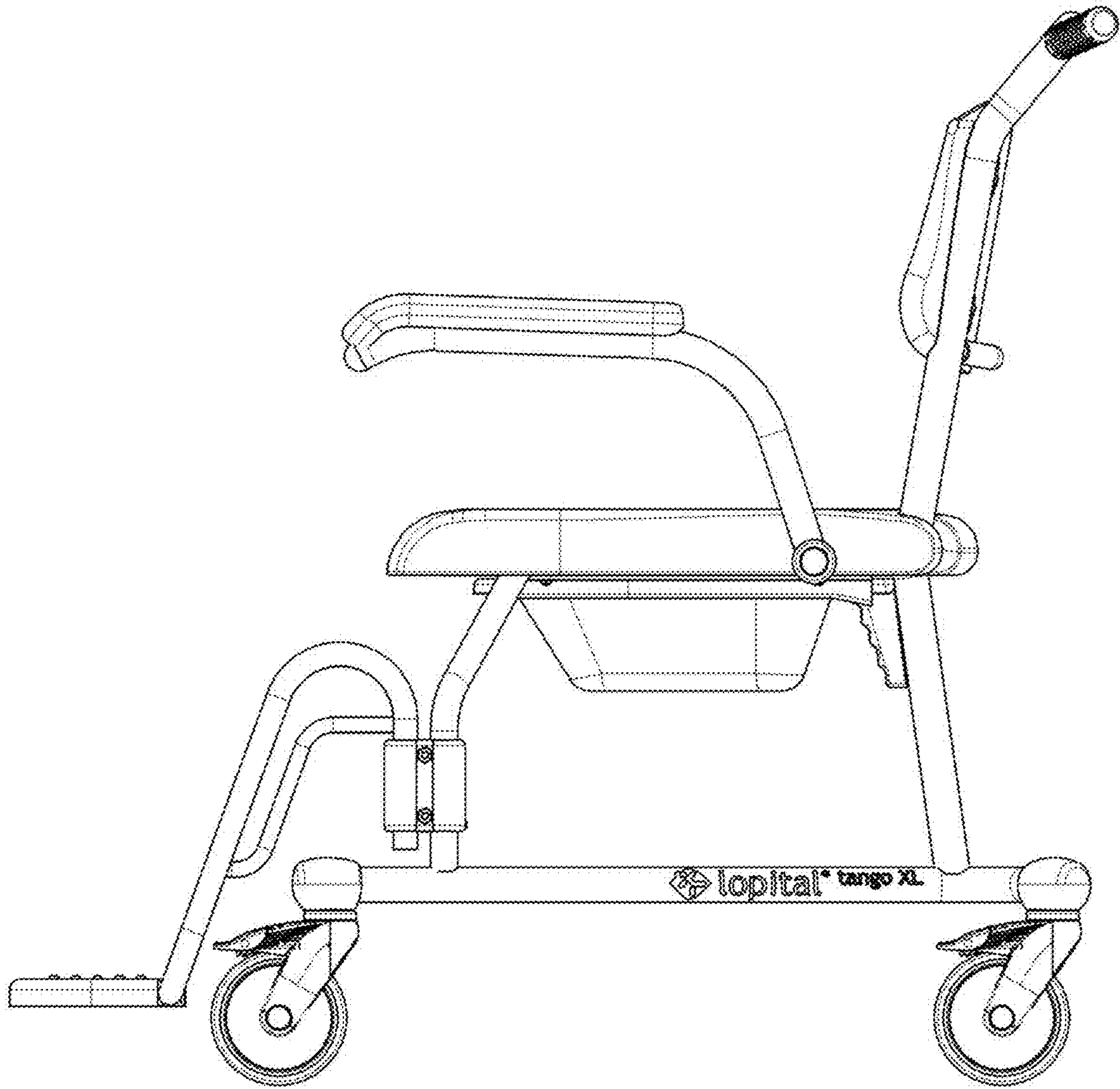


FIG. 4

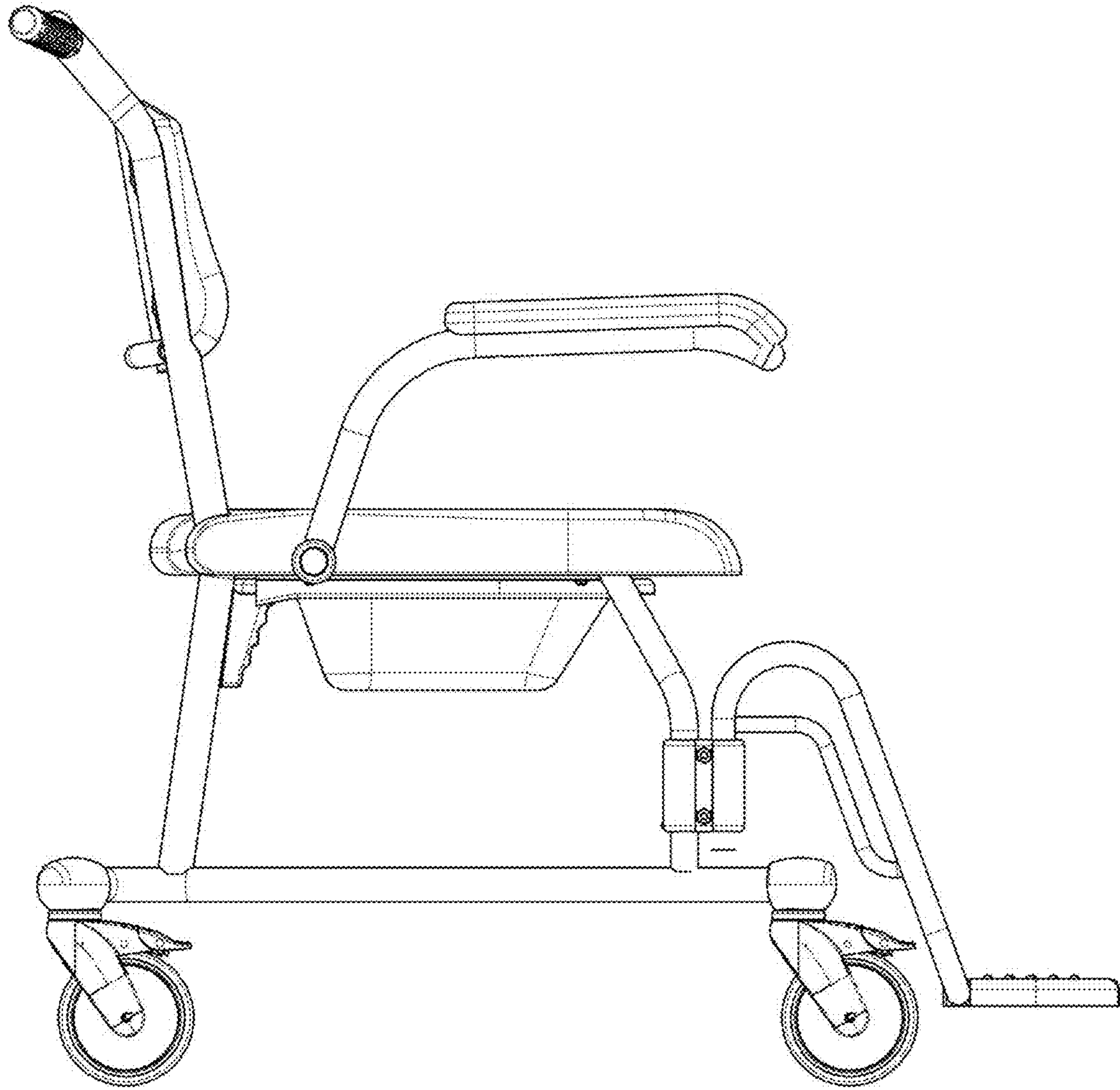


FIG. 5

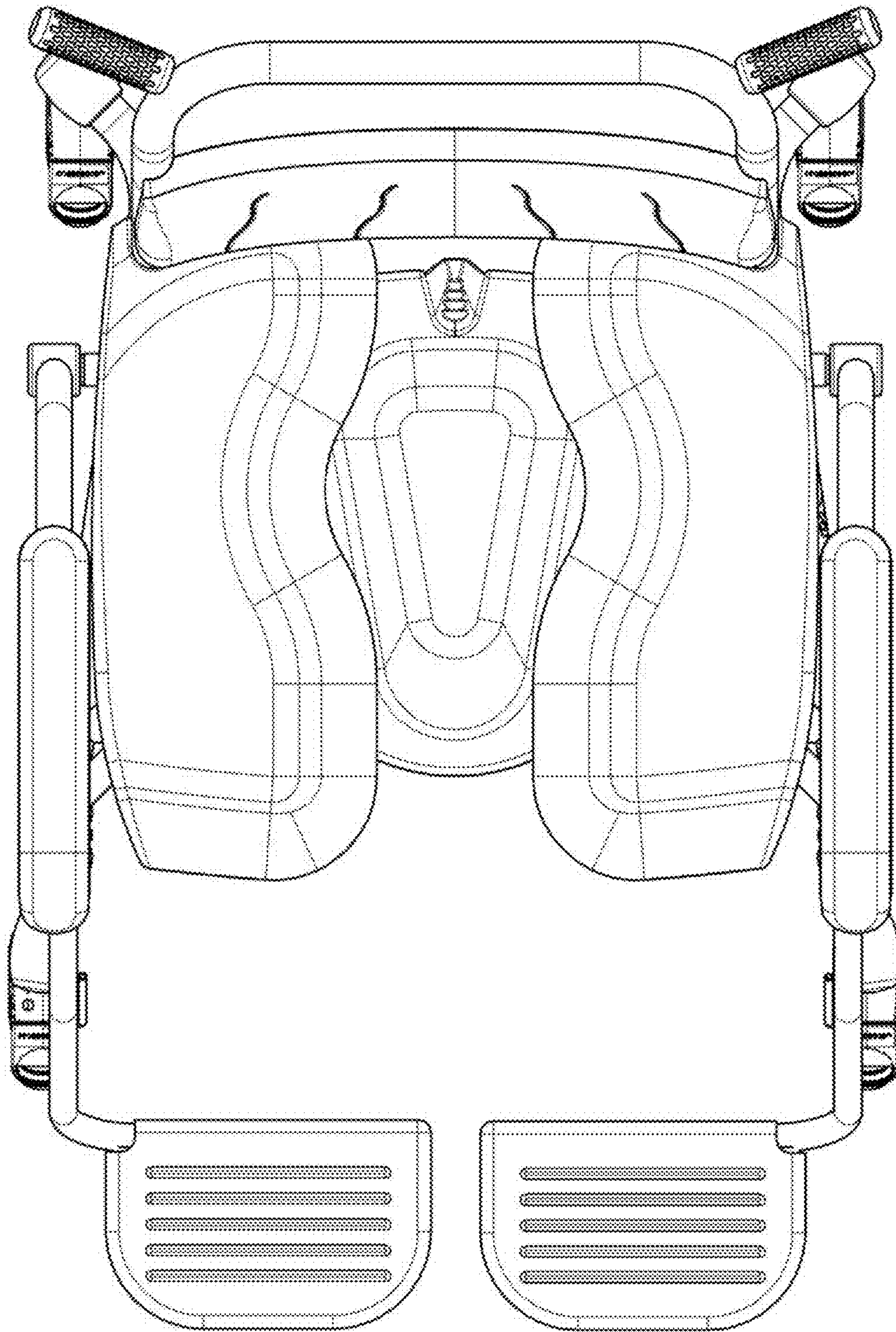


FIG. 6

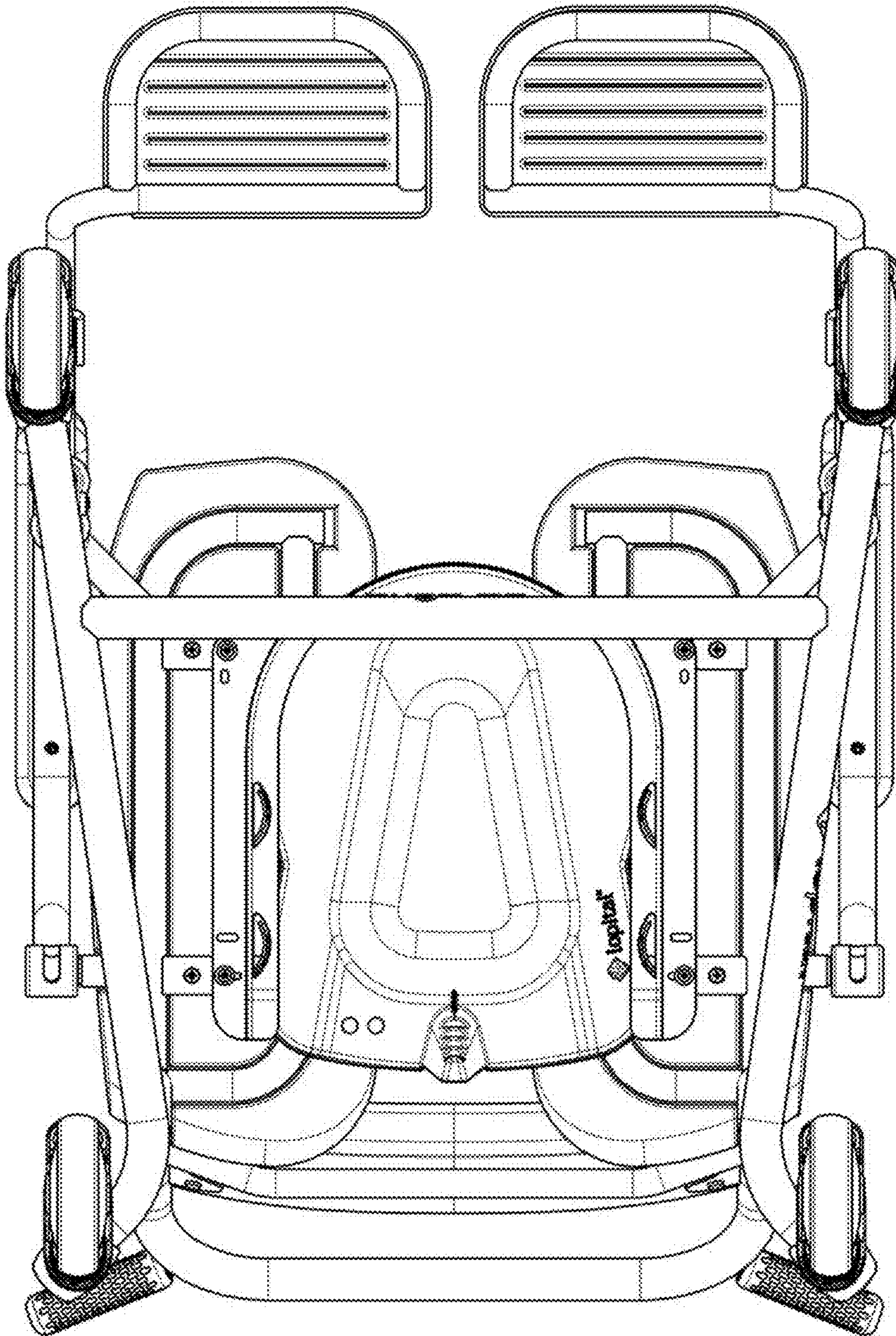


FIG. 7