



US00D829135S

(12) **United States Design Patent**
Cheng

(10) **Patent No.:** **US D829,135 S**
(45) **Date of Patent:** **** Sep. 25, 2018**

- (54) **UPPER TRAY FOR A BABY WALKER**
- (71) Applicant: **Jin Sun Gee Plastics Co., Ltd.**, Tainan (TW)
- (72) Inventor: **Chung-Jen Cheng**, Tainan (TW)
- (73) Assignee: **Jin Sun Gee Plastics Co., Ltd.**, Tainan (TW)

| | | | | |
|-------------------|---------|-------|-------|-------------|
| 6,863,287 B2 * | 3/2005 | Myers | | A47D 13/043 |
| | | | | 135/67 |
| D587,764 S * | 3/2009 | Cheng | | D12/130 |
| D612,302 S * | 3/2010 | Cheng | | D12/133 |
| D627,009 S * | 11/2010 | Lu | | D12/130 |
| D630,259 S * | 1/2011 | Lu | | D12/130 |
| D679,337 S * | 4/2013 | Lai | | D12/133 |
| D702,599 S * | 4/2014 | Lu | | D12/130 |
| 2003/0184036 A1 * | 10/2003 | Wu | | A47D 13/043 |
| | | | | 280/87.051 |

(**) Term: **15 Years**

(21) Appl. No.: **29/600,935**

(22) Filed: **Apr. 17, 2017**

(51) **LOC (11) Cl.** **12-12**

(52) **U.S. Cl.**
USPC **D12/130**

(58) **Field of Classification Search**
USPC D12/128–133
CPC A47D 13/043; A47D 13/107; A47D 13/04;
A47D 13/005; A47D 3/00
See application file for complete search history.

(56) **References Cited**

U.S. PATENT DOCUMENTS

| | | | | |
|----------------|---------|---------|-------|-----------|
| 6,231,056 B1 * | 5/2001 | Wu | | A47D 1/02 |
| | | | | 280/1.188 |
| D445,143 S * | 7/2001 | Bellows | | D12/130 |
| D451,052 S * | 11/2001 | Lu | | D12/130 |
| D466,843 S * | 12/2002 | Paesang | | D12/130 |
| D475,325 S * | 6/2003 | Wu | | D12/133 |

* cited by examiner

Primary Examiner — Charles D Hanson

(74) *Attorney, Agent, or Firm* — DLA Piper LLP (US)

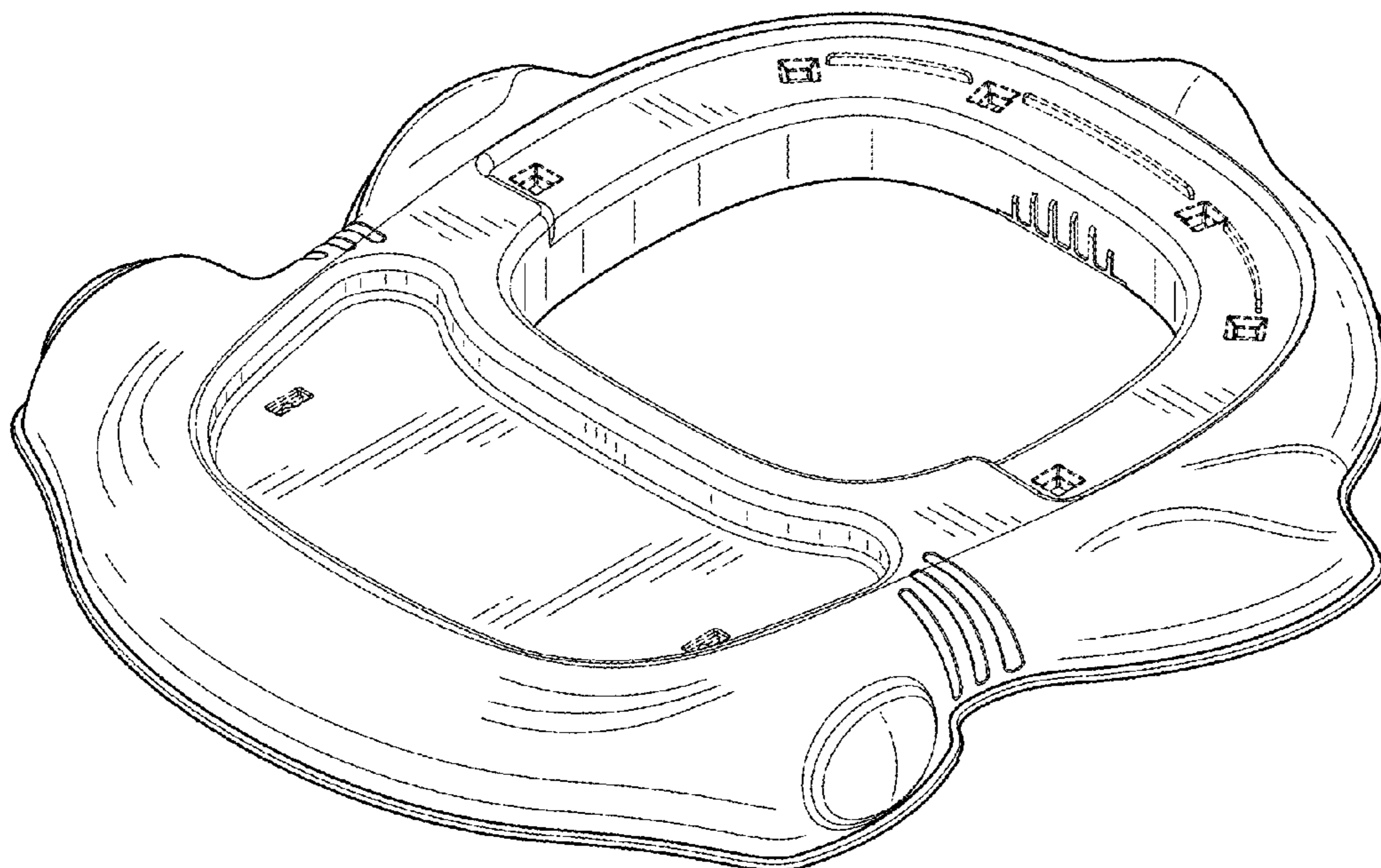
(57) **CLAIM**

The ornamental design for an upper tray for a baby walker, as shown and described.

DESCRIPTION

FIG. 1 is a perspective view of an upper tray for a baby walker showing my new design; FIG. 2 is a front elevational view thereof; FIG. 3 is a rear elevational view thereof; FIG. 4 is a left side elevational view thereof; FIG. 5 is a right side elevational view thereof; and, FIG. 6 is a top plan view thereof. The bottom plan view is not visible during normal use and has been omitted and does not form part of the claimed design.

1 Claim, 4 Drawing Sheets



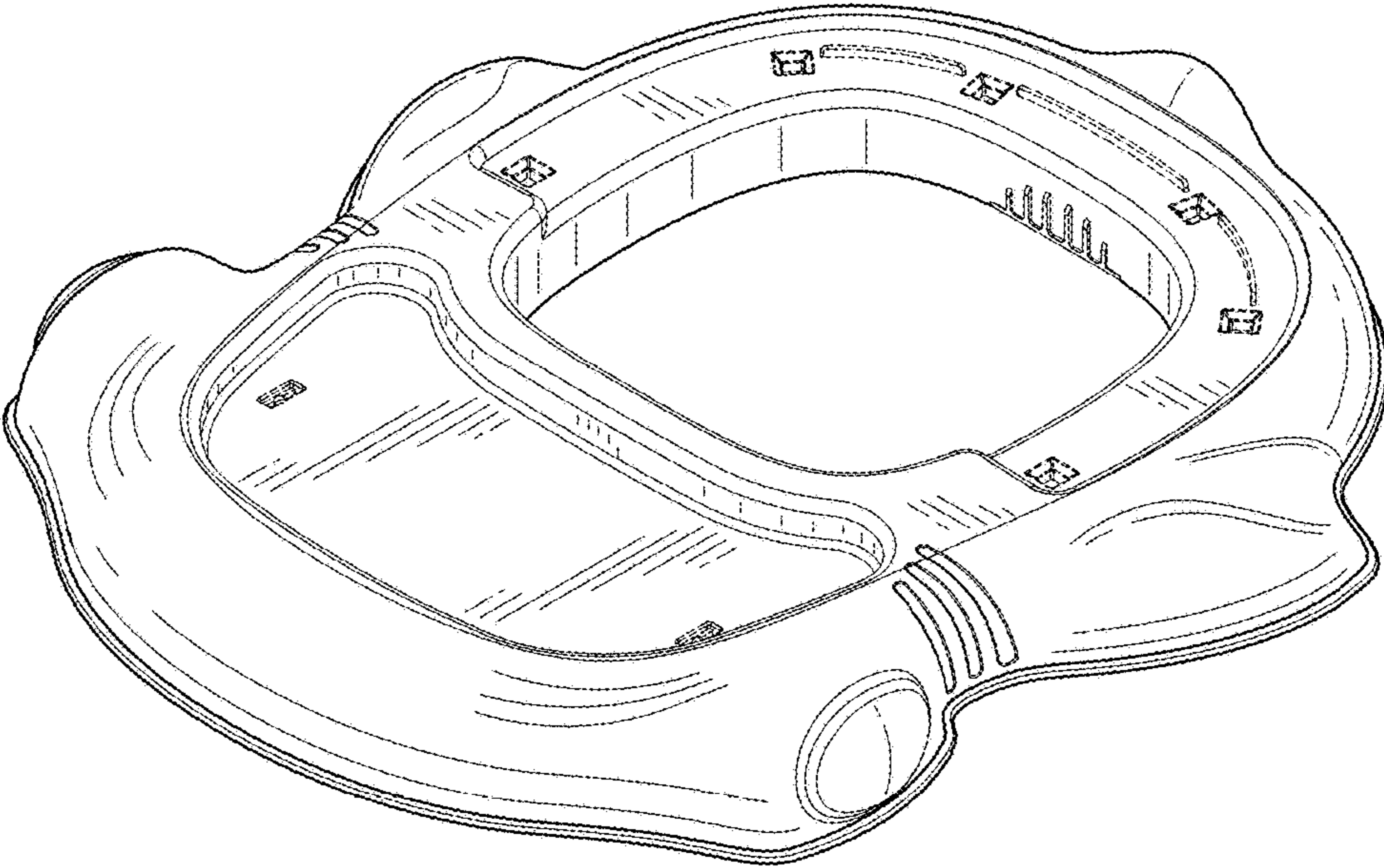


FIG.1

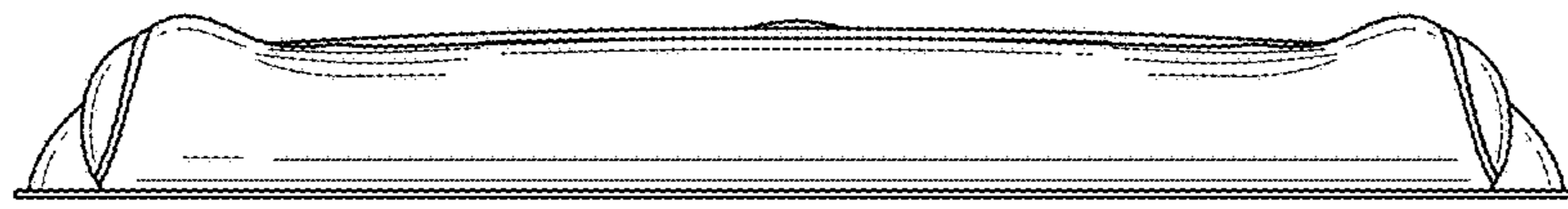


FIG. 2



FIG. 3

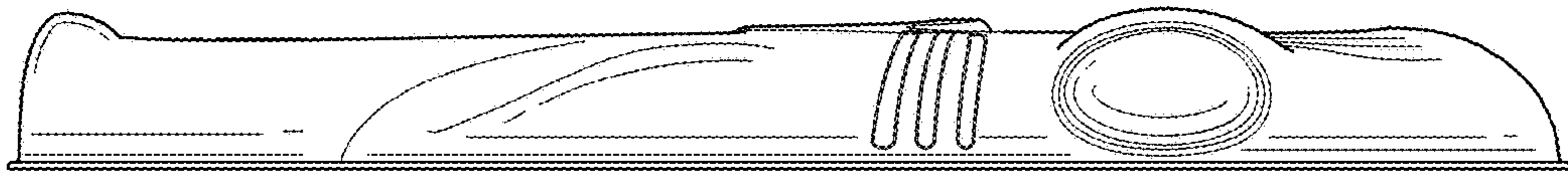


FIG. 4

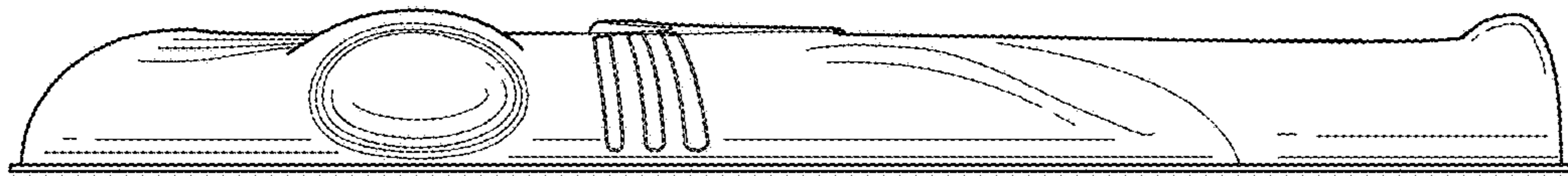


FIG. 5

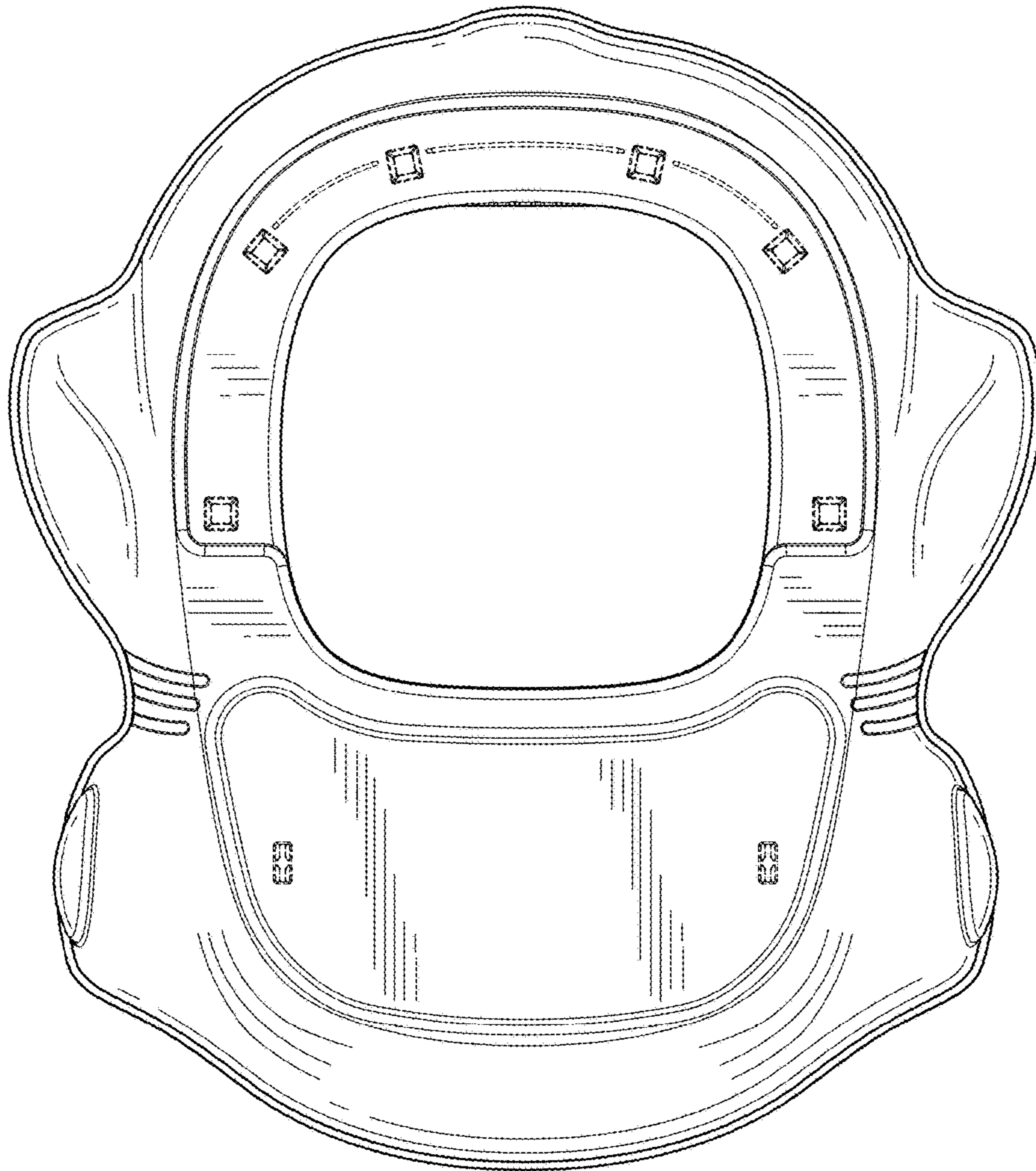


FIG.6