



US00D829131S

(12) **United States Design Patent**  
**Schieffelin**

(10) **Patent No.:** **US D829,131 S**

(45) **Date of Patent:** **\*\* Sep. 25, 2018**

(54) **BICYCLE WITH PANNIERS**

(71) Applicant: **CIVILIZED CYCLES**  
**INCORPORATED**, Brooklyn, NY  
(US)

(72) Inventor: **Zachary Schieffelin**, Brooklyn, NY  
(US)

(73) Assignee: **CIVILIZED CYCLES**  
**INCORPORATED**, Portland, OR (US)

(\*\*) Term: **15 Years**

(21) Appl. No.: **29/587,551**

(22) Filed: **Dec. 14, 2016**

(51) **LOC (11) Cl.** ..... **12-11**

(52) **U.S. Cl.**  
USPC ..... **D12/111**

(58) **Field of Classification Search**  
USPC ..... D12/111, 117; D21/412, 414, 419,  
D21/423-428, 431-435  
CPC ..... B62K 3/00; B62K 3/02; B62K 3/06  
See application file for complete search history.

(56) **References Cited**

**U.S. PATENT DOCUMENTS**

3,540,309 A	11/1970	Shimano et al.	
3,661,021 A	5/1972	Ohshita	
3,772,932 A	11/1973	Nagano	
4,869,710 A	9/1989	Iwasaki	
5,007,675 A	4/1991	Musto et al.	
5,480,356 A	1/1996	Campagnolo	
D386,723 S *	11/1997	Fujieda	D12/110
D396,670 S *	8/1998	Wasserhess	D12/111
5,789,898 A	8/1998	Suzuki et al.	
D402,925 S *	12/1998	Kino	D12/110
5,917,407 A	6/1999	Squire et al.	
5,924,511 A	7/1999	Takata	
5,937,964 A	8/1999	Mayer et al.	
D414,721 S *	10/1999	Nakamura	D12/110

6,006,850 A	12/1999	Yu	
6,144,125 A	11/2000	Birkestrand	
6,155,369 A	12/2000	Whittaker	
6,462,675 B1	10/2002	Humphrey	
D465,437 S *	11/2002	van der Veer	D12/111

(Continued)

**FOREIGN PATENT DOCUMENTS**

EP	1295785	3/2003
EP	2332811	6/2011

(Continued)

**OTHER PUBLICATIONS**

International Search Report and Written Opinion for Application  
No. PCT/US2016/017593, dated May 12, 2016, in 18 pages.  
(Continued)

*Primary Examiner* — Darlington Ly  
(74) *Attorney, Agent, or Firm* — Kolisch Hartwell, P.C.

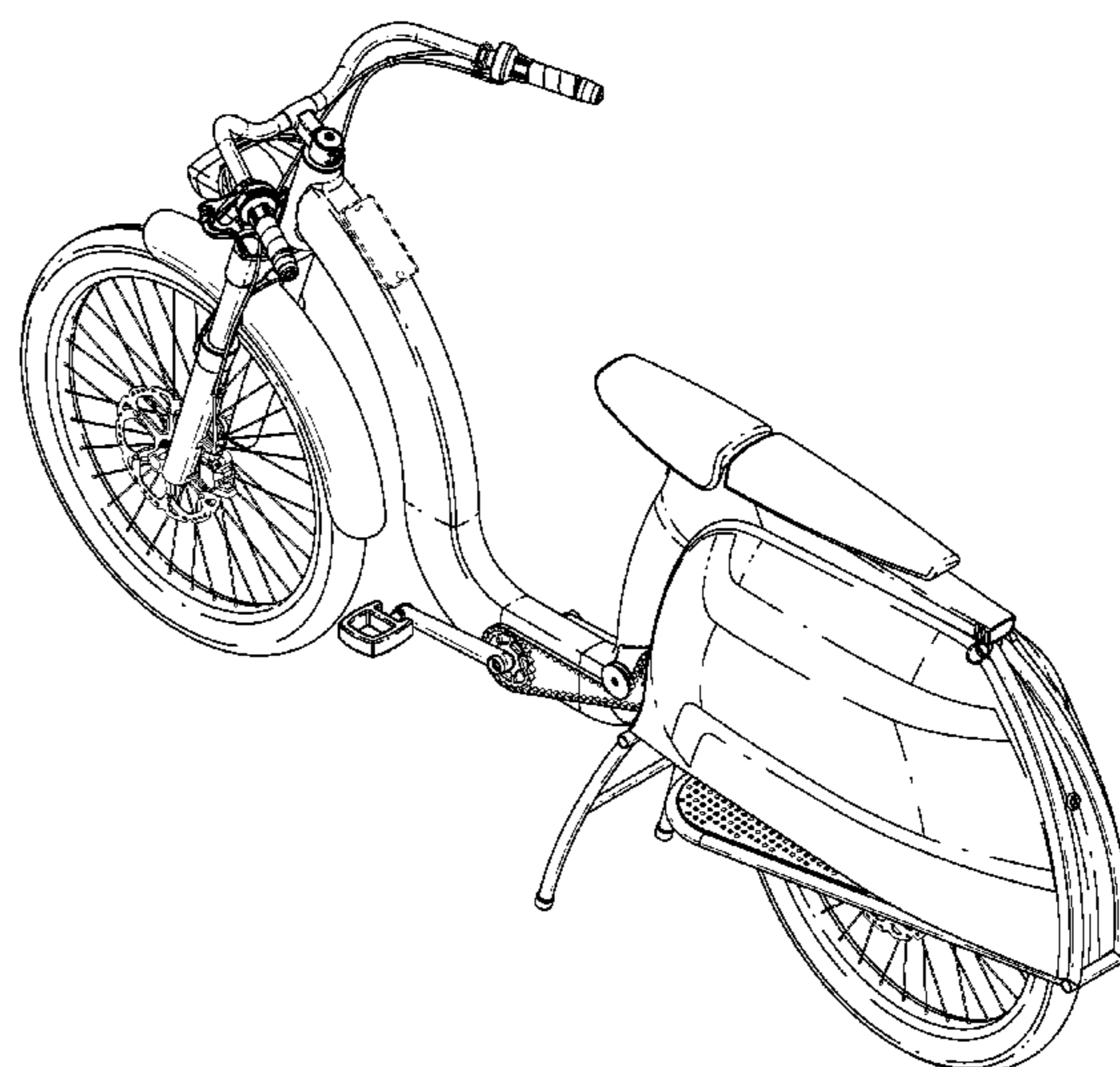
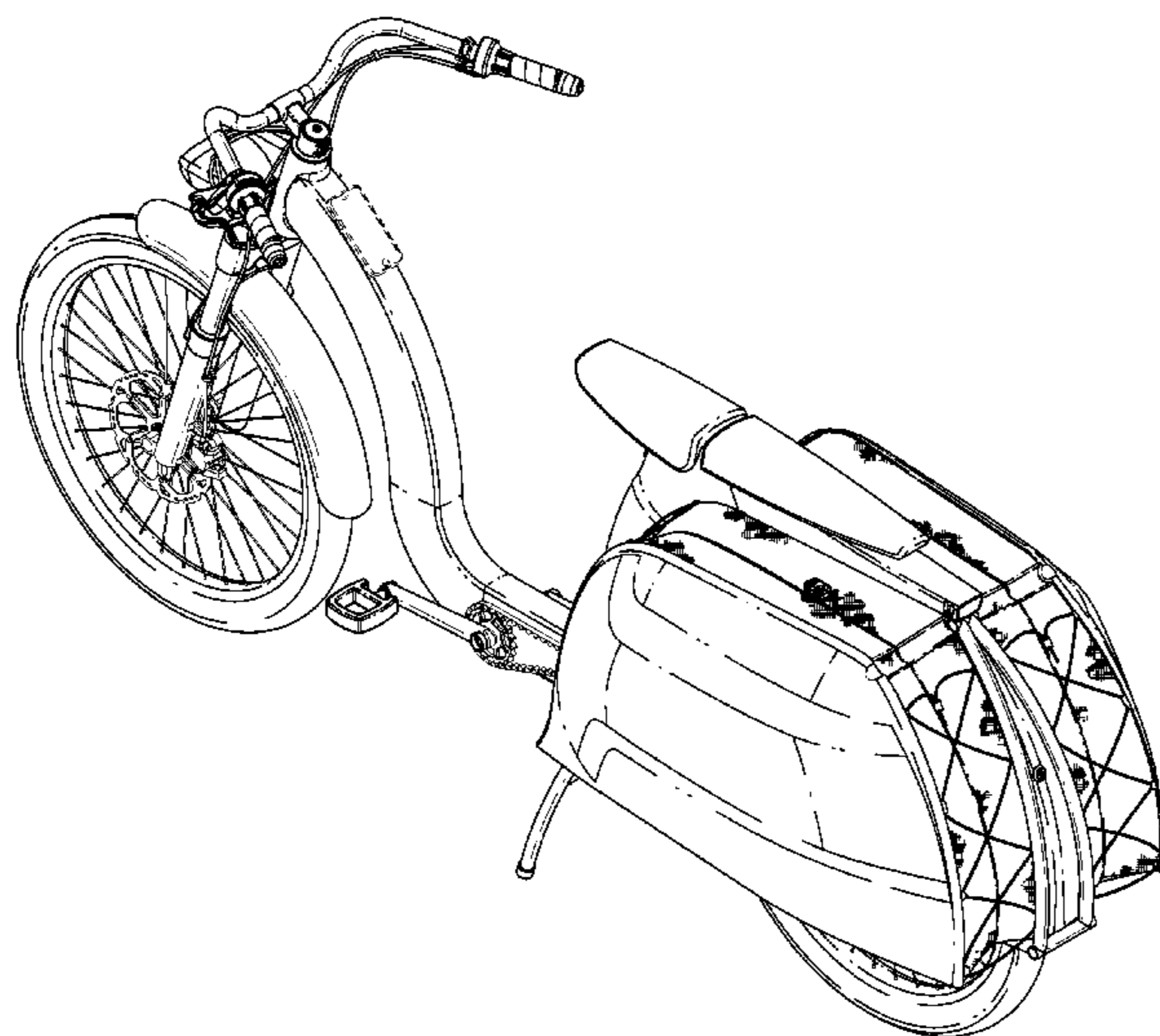
(57) **CLAIM**

The ornamental design for a bicycle with panniers, as shown  
and described.

**DESCRIPTION**

FIG. 1 is a top, rear, and left side perspective view of a  
bicycle with panniers showing my new design;  
FIG. 2 is a front elevation view thereof;  
FIG. 3 is a rear elevation view thereof;  
FIG. 4 is a left side elevation view thereof;  
FIG. 5 is a right side elevation view thereof;  
FIG. 6 is a top plan view thereof; and,  
FIG. 7 is a top, rear, and left side perspective view thereof,  
in which the panniers are in a collapsed configuration.  
The broken lines in the drawings illustrate portions of the  
bicycle with panniers that form no part of the claimed  
design.

**1 Claim, 7 Drawing Sheets**



(56)

References Cited

U.S. PATENT DOCUMENTS

D465,438 S \* 11/2002 Masui ..... D12/111  
 6,623,389 B1 9/2003 Campagnolo  
 6,827,397 B1 12/2004 Driver  
 D540,716 S \* 4/2007 Mohr ..... D12/111  
 7,261,175 B1 8/2007 Fahrner  
 7,273,123 B2 9/2007 Perng  
 7,397,365 B2 7/2008 Wang  
 D574,756 S \* 8/2008 Masui ..... D12/111  
 7,461,714 B2 12/2008 Holland  
 D594,787 S \* 6/2009 Dallaire ..... D12/111  
 7,660,658 B2 2/2010 Sheynblat  
 D620,400 S \* 7/2010 Haller ..... D12/111  
 7,753,157 B1 7/2010 Woods  
 D625,228 S \* 10/2010 Lockart ..... D12/111  
 7,833,129 B2 11/2010 Badarneh et al.  
 7,886,947 B2 2/2011 Campagnolo  
 D634,673 S \* 3/2011 Lockart ..... D12/111  
 8,014,949 B2 9/2011 Bono  
 8,035,046 B2 10/2011 Perini  
 8,205,705 B2 6/2012 Li et al.  
 D670,208 S \* 11/2012 Frenzel ..... D12/111  
 8,738,212 B1 \* 5/2014 Schieffelin ..... B62M 6/45  
 180/205.1  
 8,768,585 B2 7/2014 Cheng  
 8,886,426 B2 11/2014 Cheng  
 D730,779 S \* 6/2015 Arbour ..... D12/111  
 D745,836 S \* 12/2015 Poster ..... D12/111  
 9,415,833 B2 8/2016 Schieffelin  
 9,656,672 B2 5/2017 Schieffelin  
 D789,836 S \* 6/2017 Gouin ..... D12/111  
 D797,003 S \* 9/2017 Qiu ..... D12/111  
 2002/0025868 A1 2/2002 Fukuda  
 2003/0159870 A1 8/2003 Yu et al.  
 2005/0087379 A1 4/2005 Holland  
 2007/0001830 A1 1/2007 Dagci  
 2007/0198160 A1 8/2007 Sheynblat  
 2009/0181826 A1 7/2009 Turner  
 2010/0089846 A1 4/2010 Navarro et al.  
 2010/0133778 A1 6/2010 Munksoe  
 2010/0206652 A1 8/2010 Kielland

2010/0211284 A1 8/2010 Rothschild  
 2010/0228405 A1 9/2010 Morgal  
 2011/0071701 A1 3/2011 Holub et al.  
 2011/0309660 A1 12/2011 Huyek et al.  
 2012/0022781 A1 1/2012 Wilson  
 2012/0061435 A1 3/2012 Lavery  
 2013/0054066 A1 2/2013 Watarai  
 2013/0054067 A1 2/2013 Shoge et al.  
 2013/0335193 A1 12/2013 Hanson  
 2014/0074391 A1 3/2014 Tate  
 2014/0163797 A1 6/2014 Schieffelin  
 2014/0343773 A1 11/2014 Schieffelin  
 2015/0088389 A1 3/2015 Gao  
 2015/0291253 A1 10/2015 Schieffelin  
 2016/0207588 A1 7/2016 Tsuchizawa et al.  
 2016/0207589 A1 7/2016 Tsuchizawa et al.

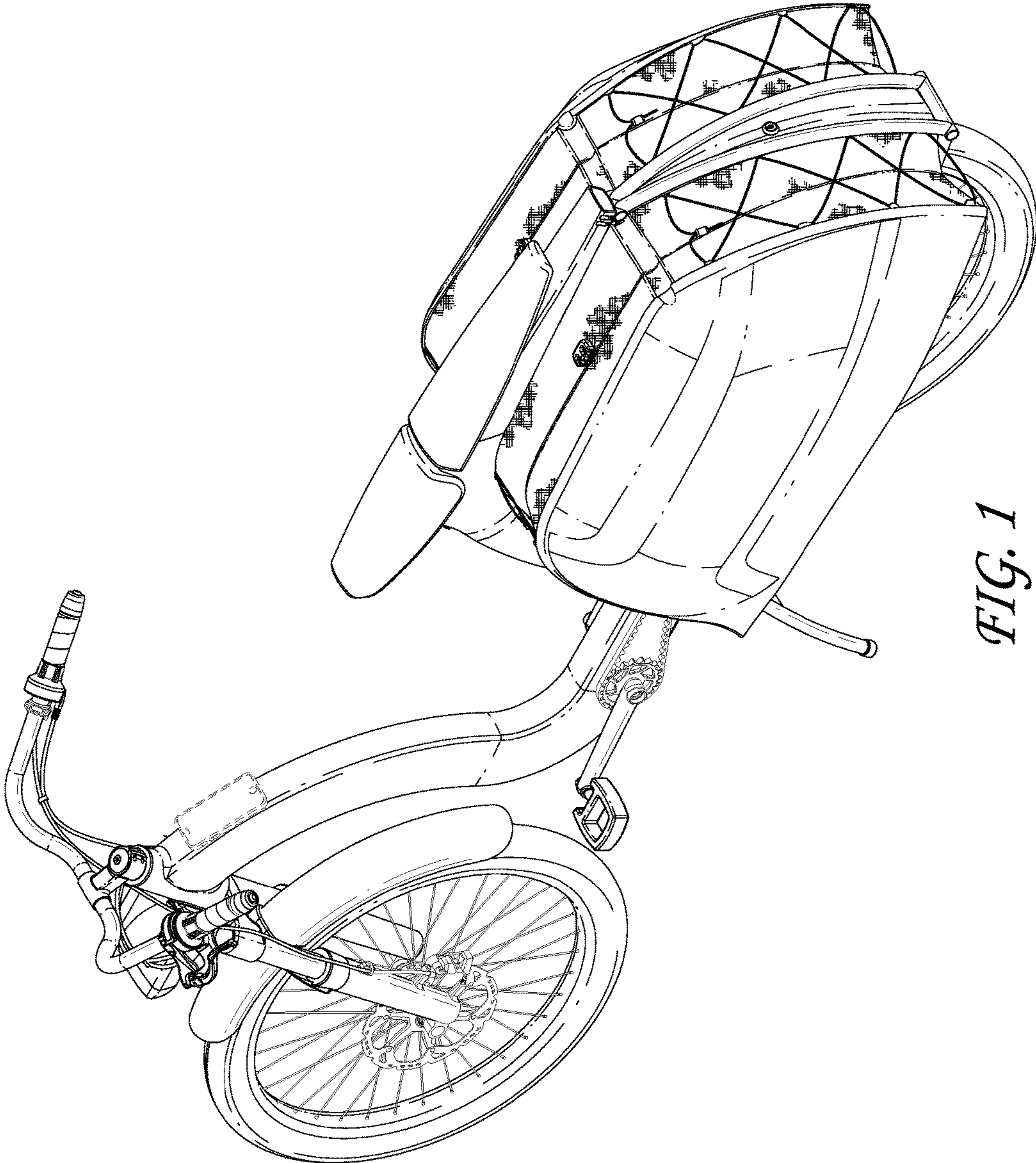
FOREIGN PATENT DOCUMENTS

NL 2003545 C 3/2011  
 WO WO 1993/011992 6/1993  
 WO WO 2006/029514 3/2006  
 WO WO 2014/047341 3/2014  
 WO WO 2016/130833 8/2016

OTHER PUBLICATIONS

International Preliminary Report on Patentability and Written Opinion for International Application No. PCT/US2013/060706, dated Feb. 6, 2014, in 11 pages.  
 International Search Report and Written Opinion for Application No. PCT/US2013/060706, dated Feb. 6, 2014, in 11 pages.  
 European Search Report in Application No. EP 13839451.5, dated Apr. 15, 2016, in 2 pages.  
 Speedict Technology, Speedict eBike Android Client, Mar. 2012.  
 IGO Electric, iGO Owners Manual, Mar. 2011.  
 SuZhou Minshine Electric Co., XMK e-Bike System, Jul. 2012.  
 Cycle Analyst, The Cycle Analyst Large Screen Edition User Manual, May 2011.

\* cited by examiner



*FIG. 1*

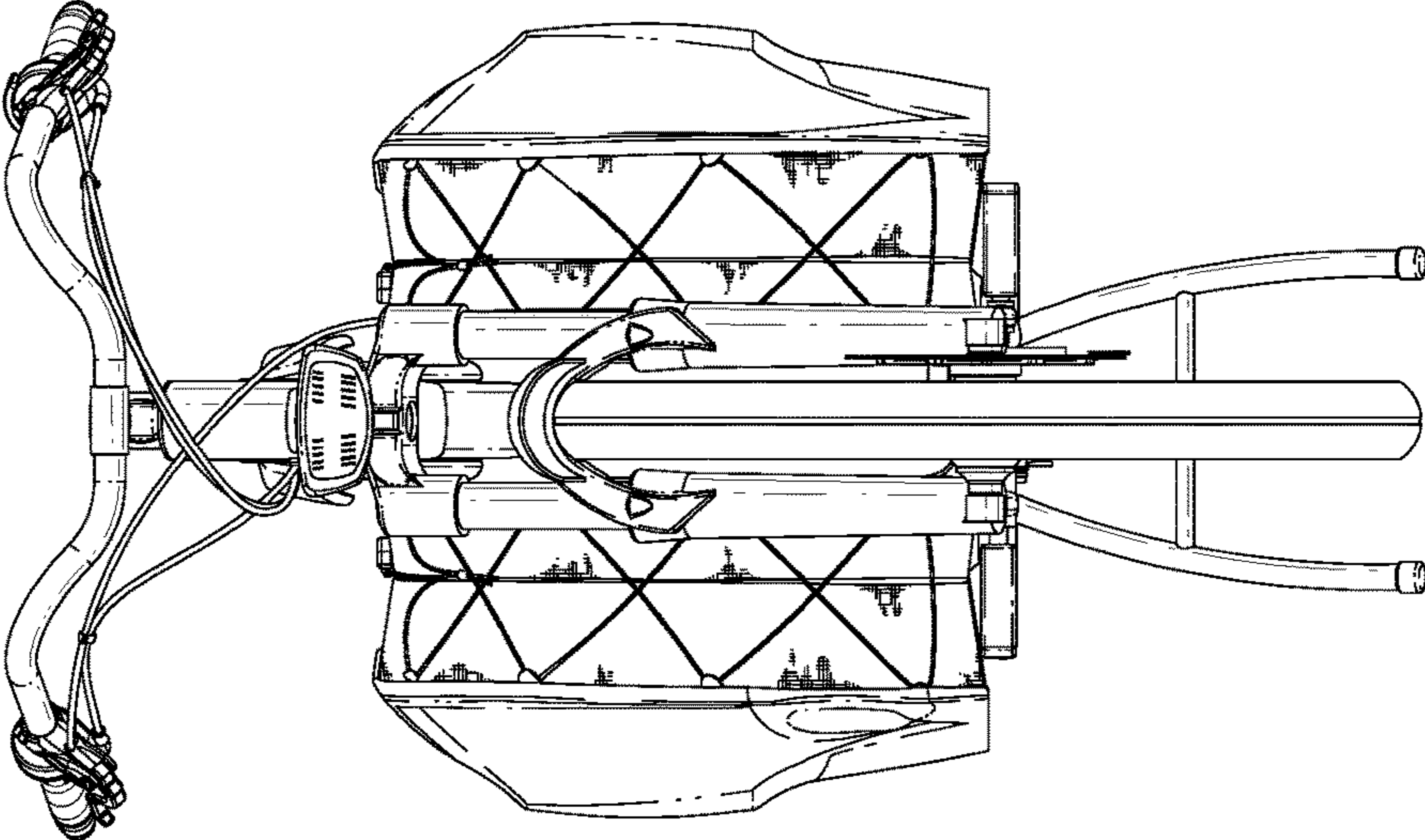
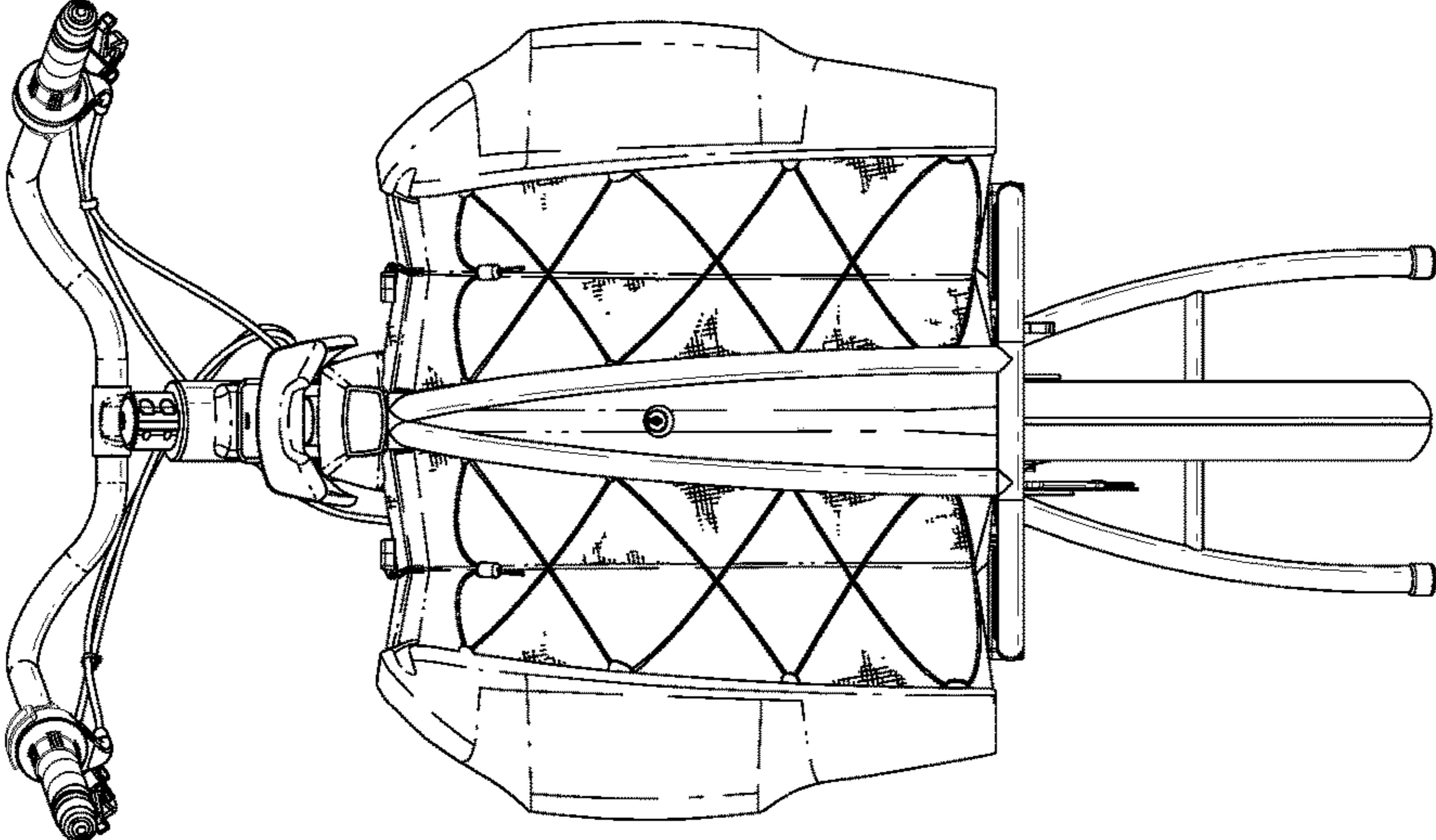
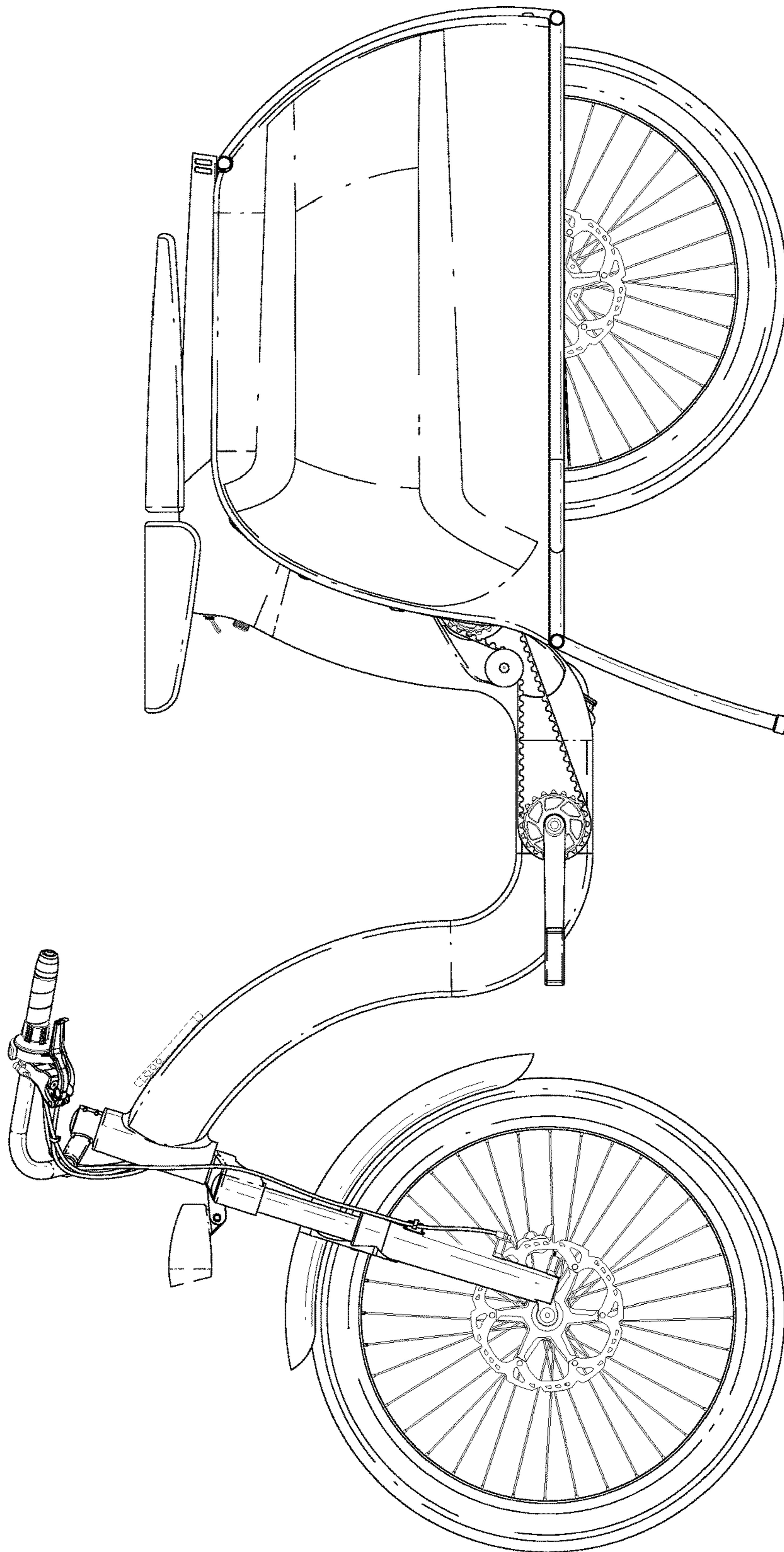


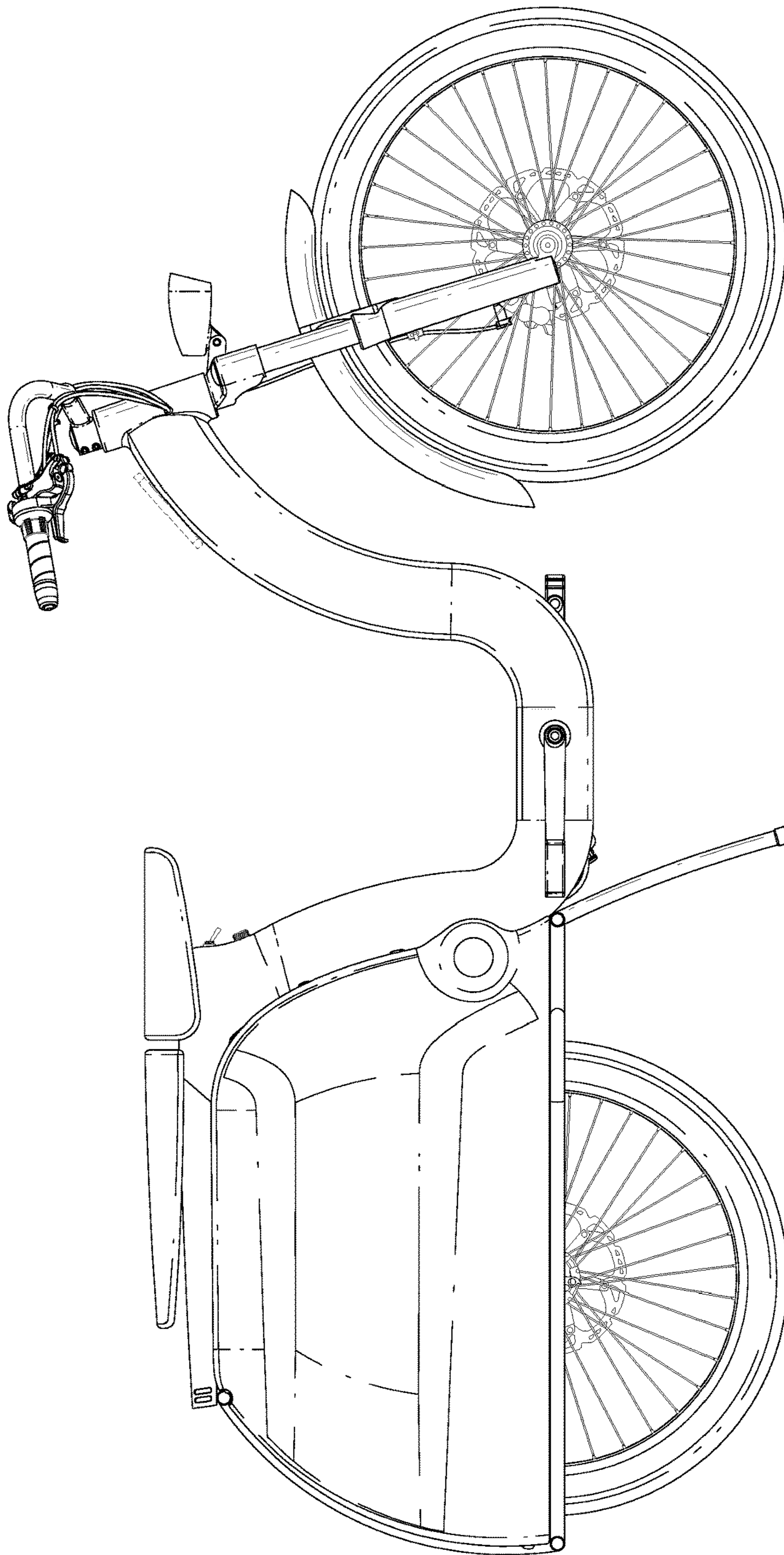
FIG. 2



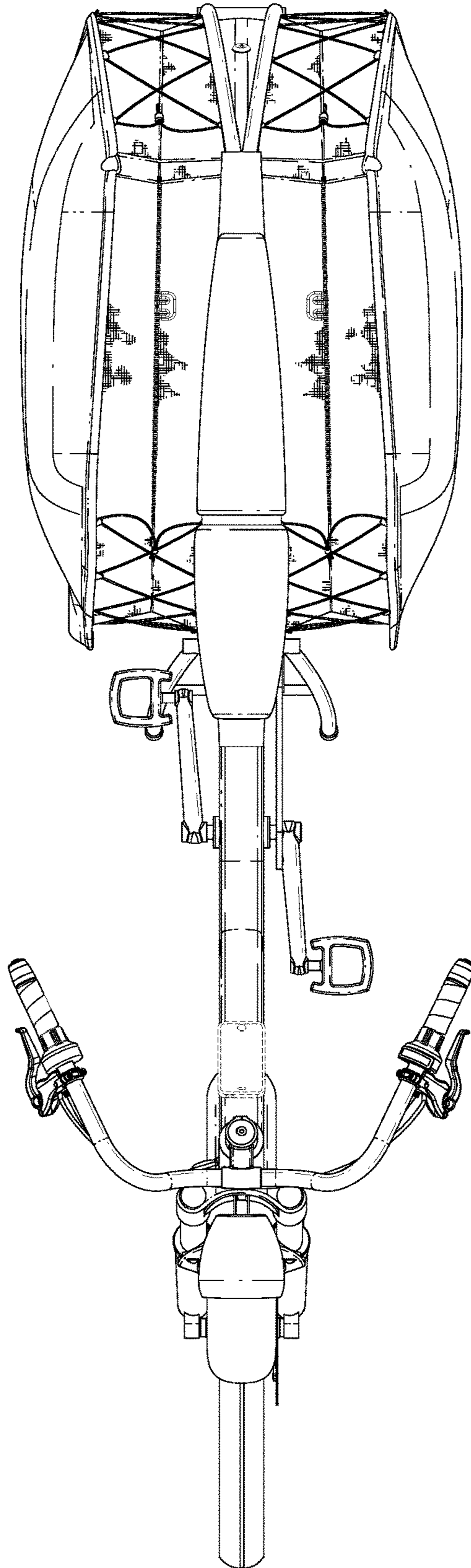
*FIG. 3*



*FIG. 4*



*FIG. 5*



*FIG. 6*



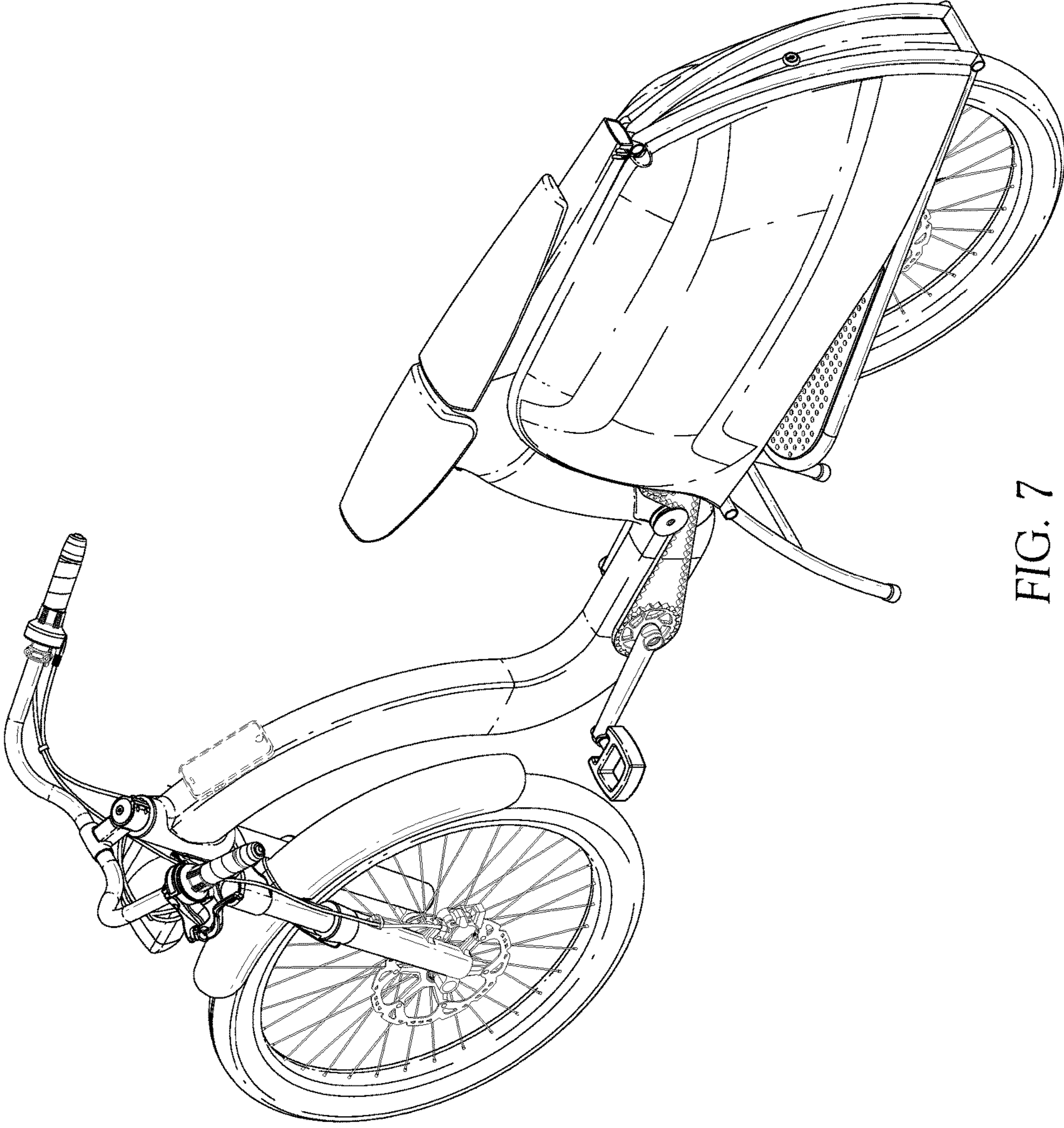


FIG. 7