



US00D829129S

(12) **United States Design Patent** (10) **Patent No.:** **US D829,129 S**  
**Mori** (45) **Date of Patent:** **\*\* Sep. 25, 2018**

(54) **TOW TRACTOR**

(71) Applicant: **KABUSHIKI KAISHA TOYOTA**  
**JIDOSHOKKI**, Kariya-shi, Aichi-ken  
(JP)

(72) Inventor: **Hiroki Mori**, Kariya (JP)

(73) Assignee: **KABUSHIKI KAISHA TOYOTA**  
**JIDOSHOKKI**, Kariya-shi, Aichi-ken  
(JP)

(\*\*) Term: **15 Years**

(21) Appl. No.: **29/582,392**

(22) Filed: **Oct. 27, 2016**

(30) **Foreign Application Priority Data**

Apr. 28, 2016 (JP) ..... 2016-009444

(51) **LOC (11) Cl.** ..... **12-13**

(52) **U.S. Cl.**  
USPC ..... **D12/14**

(58) **Field of Classification Search**  
USPC ..... D12/14, 3, 107, 1, 16, 169; D15/5, 15  
CPC ..... B60G 2200/31; B60G 9/00; B60G 11/04;  
B66F 9/07554; B62D 21/183; B62D  
25/10; B62D 49/085; B64F 1/22; B64F  
1/227; B64F 1/00; B60D 1/02  
See application file for complete search history.

(56) **References Cited**

U.S. PATENT DOCUMENTS

2,486,911 A	11/1949	Becker	
D227,244 S	6/1973	Keene	
D282,153 S	1/1986	Wallace et al.	
D296,321 S	6/1988	Hayes	
D311,505 S *	10/1990	Reinhart	D12/14
D312,227 S	11/1990	Miyamoto et al.	
D325,183 S *	4/1992	Nishikawa	D12/14
D375,290 S	11/1996	Hall	

D434,158 S	11/2000	Armstrong	
D439,549 S	3/2001	Shambeau et al.	
D441,093 S	4/2001	Johnson	
D477,271 S	7/2003	Weber et al.	
D491,848 S *	6/2004	Metros	D12/169
6,817,447 B1	11/2004	Pedersen	
D539,701 S	4/2007	Takeda et al.	
D545,248 S *	6/2007	Angelo	D12/169
D563,840 S *	3/2008	Simons	D12/169
D579,821 S	11/2008	Bobbitt, III et al.	
D594,564 S	6/2009	Disch et al.	
D631,793 S	2/2011	Sanschagrin	

(Continued)

OTHER PUBLICATIONS

Office Action dated Mar. 8, 2018 from U.S. Patent & Trademark Office in counterpart U.S. Appl. No. 29/582,412.

(Continued)

*Primary Examiner* — Karen S Acker

*Assistant Examiner* — Jerry Shiuan-Hua Hsu

(74) *Attorney, Agent, or Firm* — Sughrue Mion, PLLC

(57) **CLAIM**

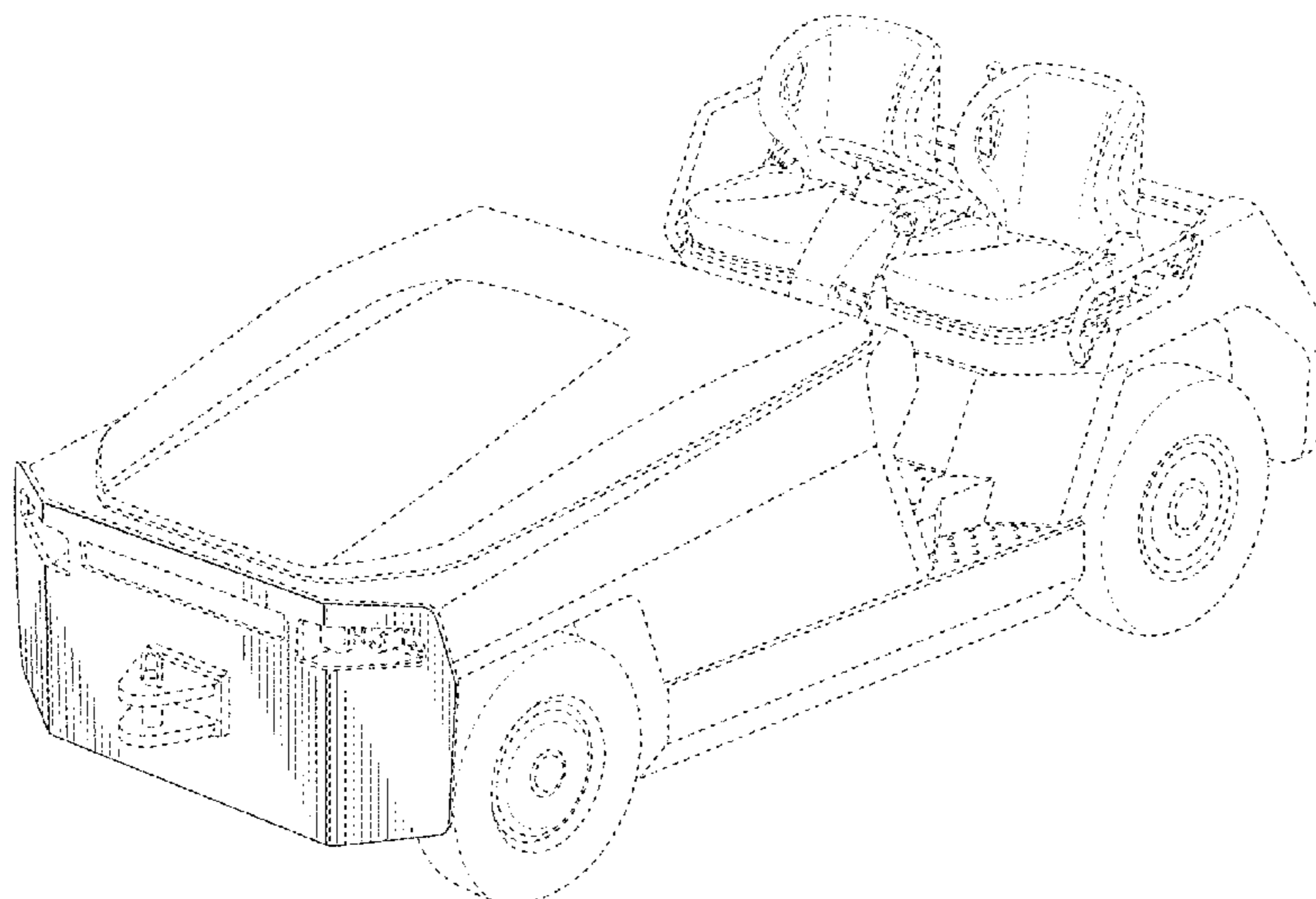
The ornamental design for a tow tractor, as shown and described.

**DESCRIPTION**

FIG. 1 is a front, top and left side perspective view of a tow tractor showing my new design;  
FIG. 2 is a front view thereof;  
FIG. 3 is a rear view thereof;  
FIG. 4 is a top plan view thereof;  
FIG. 5 is a right side view thereof; and,  
FIG. 6 is a left side view thereof.

The bottom plan view is omitted since it is unornamented and forms no part of the claimed design. The broken lines illustrate portions of the tow tractor and form no part of the claimed design.

**1 Claim, 6 Drawing Sheets**



(56)

**References Cited**

U.S. PATENT DOCUMENTS

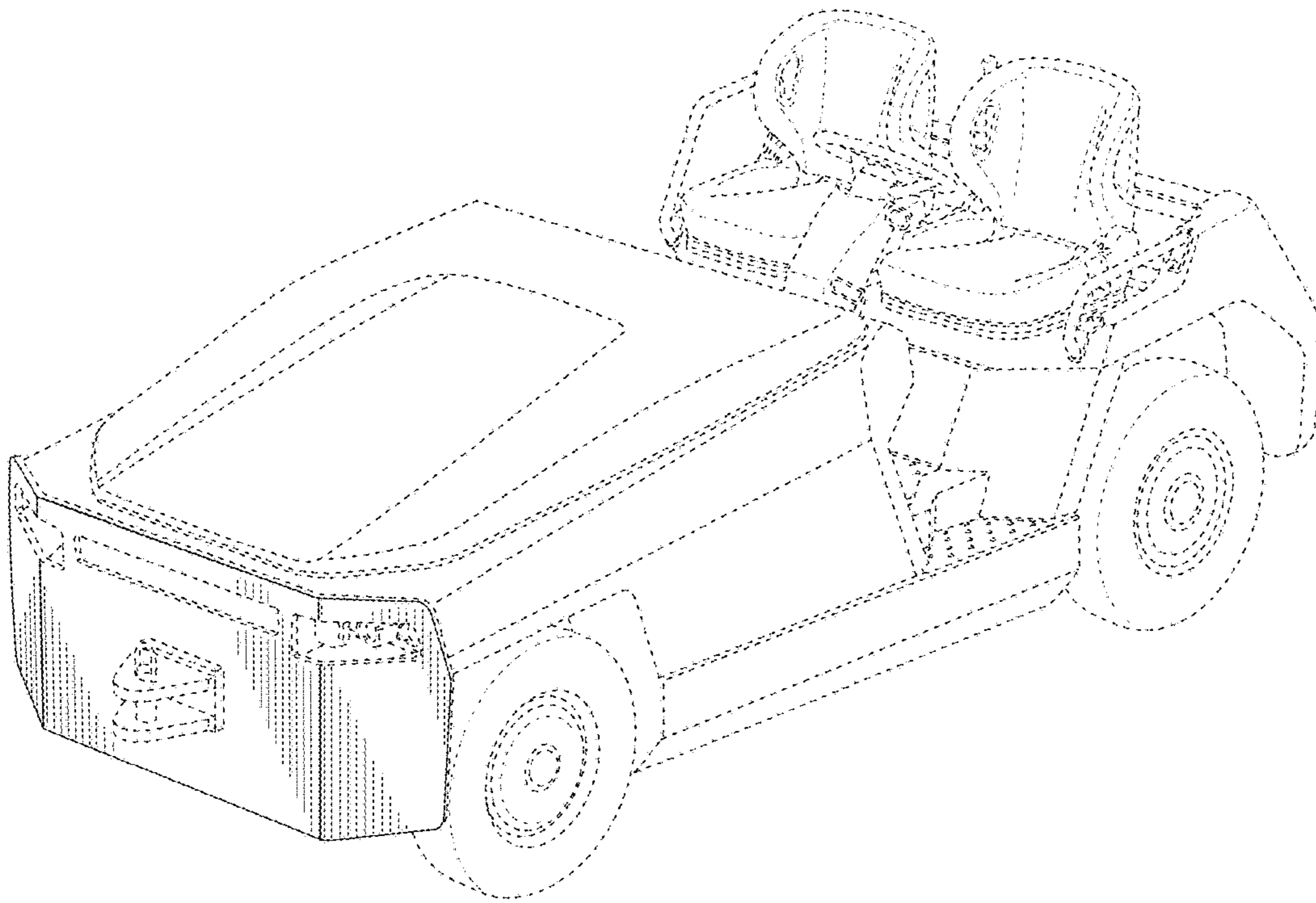
D665,305 S 8/2012 Eck  
8,701,812 B2\* 4/2014 Uno ..... B62D 25/10  
180/65.1  
D716,694 S \* 11/2014 Higashikawa ..... D12/14  
D721,621 S \* 1/2015 Platto ..... D12/169  
D740,730 S \* 10/2015 Peltola ..... D12/169  
RE46,247 E \* 12/2016 Hanson ..... D12/169  
D793,293 S \* 8/2017 Lee ..... D12/169  
2010/0181786 A1\* 7/2010 Tejler ..... B60D 1/02  
293/130  
2016/0221809 A1\* 8/2016 Fukatsu ..... B62D 49/085

OTHER PUBLICATIONS

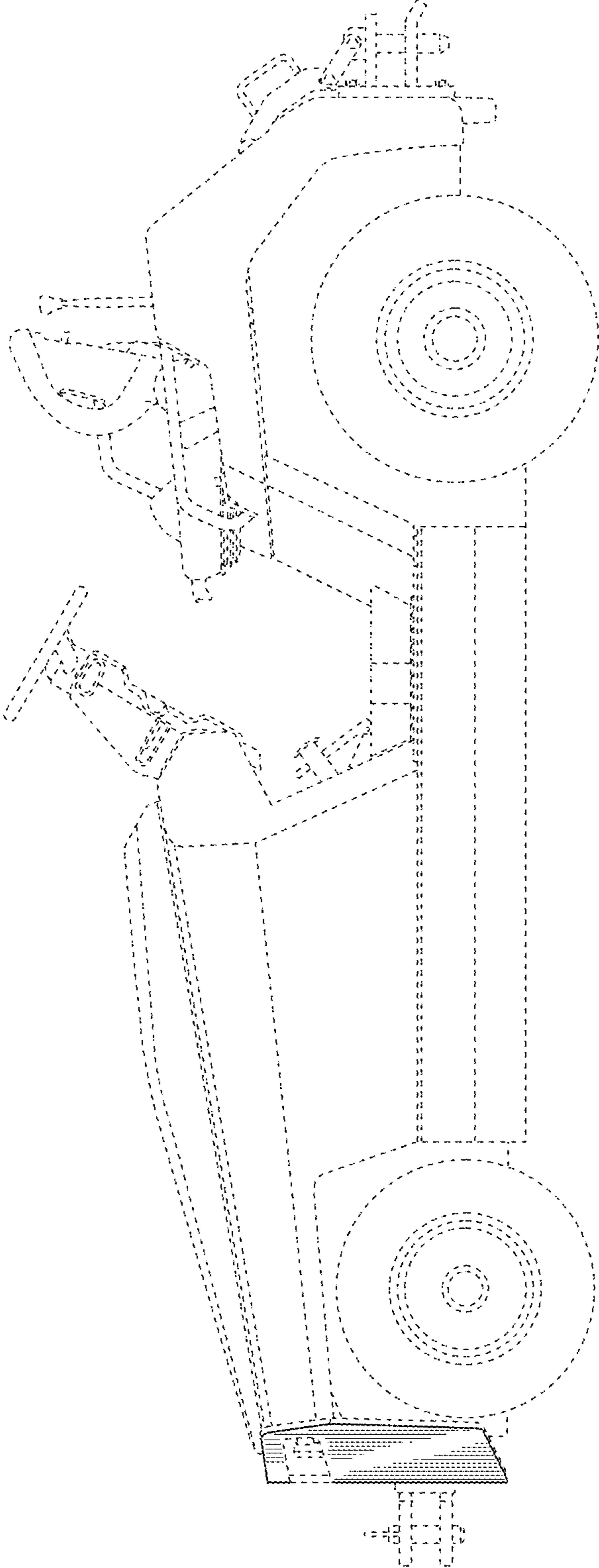
Notice of Allowance dated Nov. 3, 2017 issued by the United States  
Patent and Trademark Office in U.S. Appl. No. 29/582,422.

\* cited by examiner

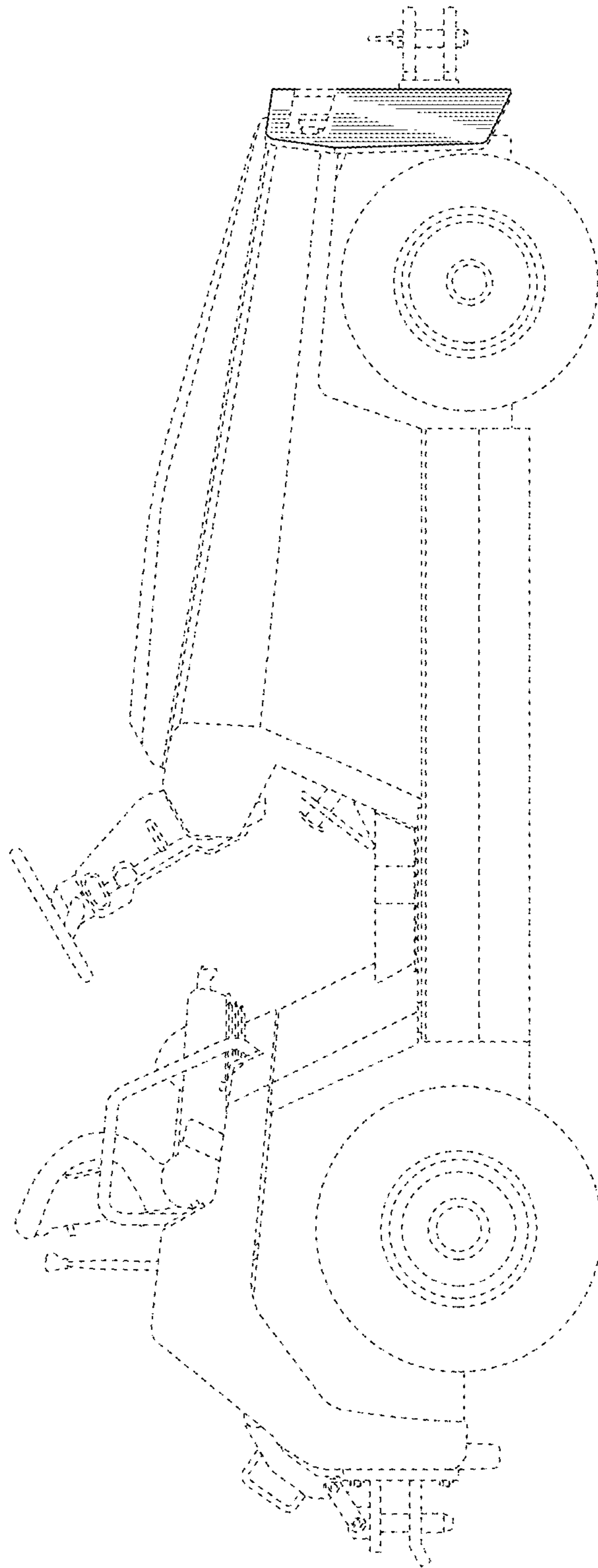
**FIG. 1**



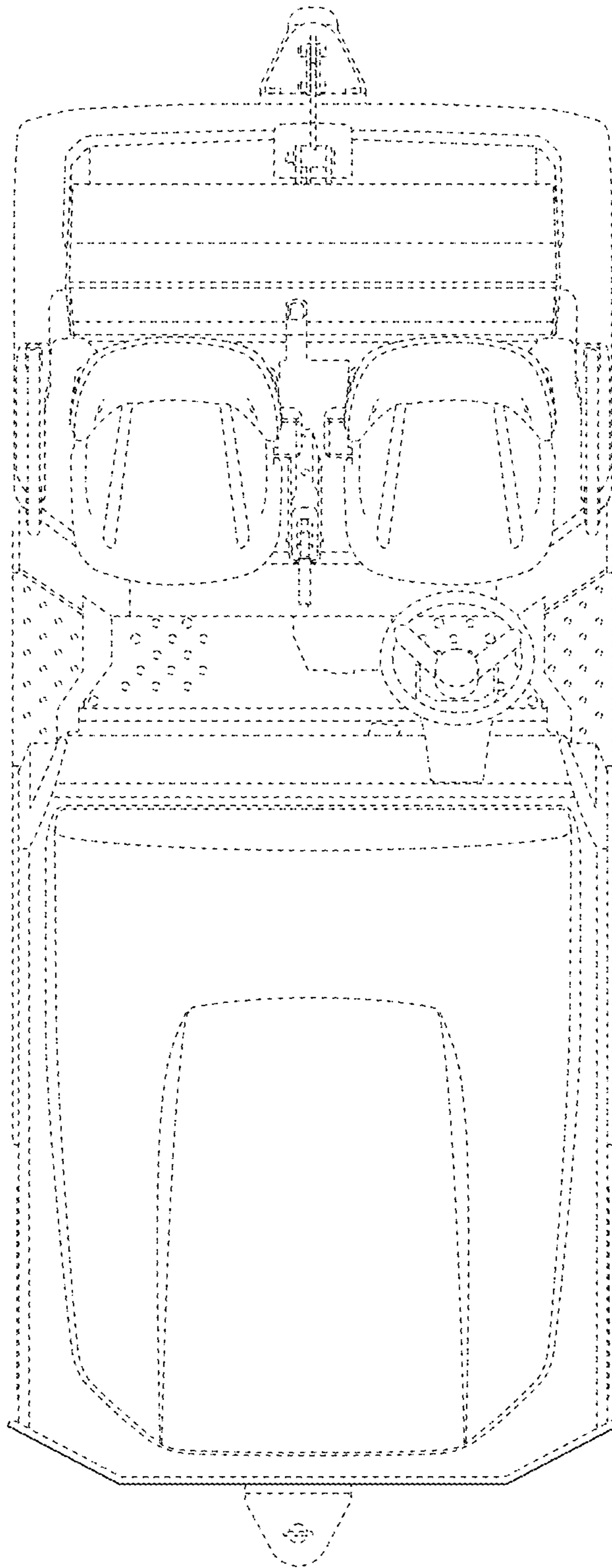
**FIG. 2**



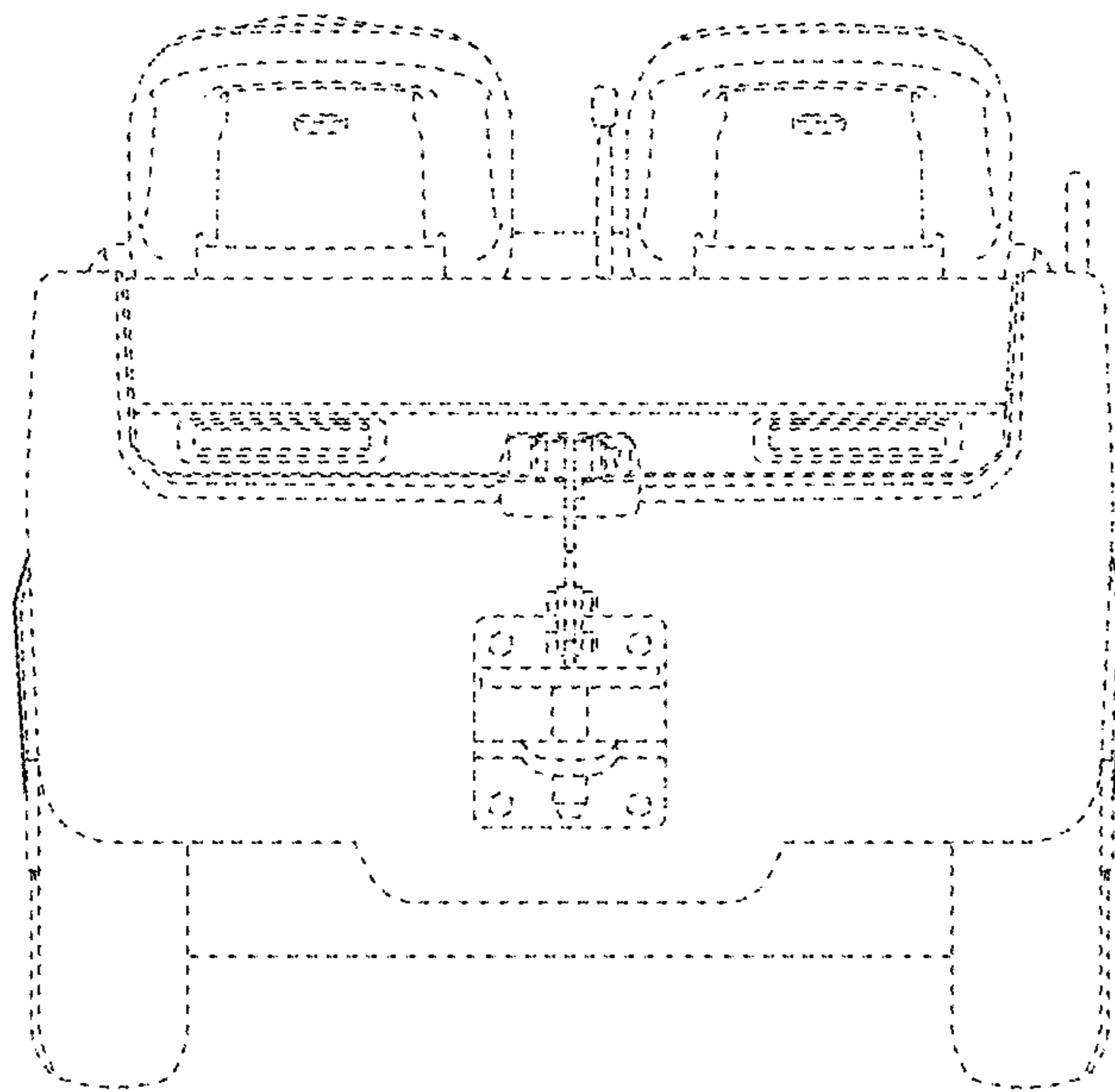
**FIG. 3**



**FIG. 4**



**FIG. 5**



**FIG. 6**

