



US00D829128S

(12) **United States Design Patent** (10) **Patent No.:** **US D829,128 S**
Webb (45) **Date of Patent:** **** Sep. 25, 2018**

(54) **BRA STRAP ADJUSTMENT CLIP**

(71) Applicant: **Christopher R. Webb**, Vernon Hills, IL (US)

(72) Inventor: **Christopher R. Webb**, Vernon Hills, IL (US)

(**) Term: **15 Years**

(21) Appl. No.: **29/590,373**

(22) Filed: **Jan. 10, 2017**

(51) **LOC (11) Cl.** **02-07**

(52) **U.S. Cl.**
USPC **D11/200**

(58) **Field of Classification Search**

USPC D11/200-219; 24/163 R, 169-171, 173, 24/177-179, 191, 194-195, 197, 200, 24/614-616, 625, 198, 630, 578.1, 163 K, 24/114; D8/16-20, 45, 105, 349, 363, D8/366, 370-377, 380-382, 356, 358, D8/359, 395, 578; D2/639; D3/24; D15/16; 242/118.7, 542.4, 160.4, 366, 242/400, 370, 400.1; D10/61, 62; 33/414, 413
CPC A44B 11/26; A44B 11/25; A44B 11/06; A45F 2200/0575; G01B 5/18; H02G 11/02; B65H 75/4476; B65H 2701/353; B65H 75/241; B65H 75/28; E04G 21/1825

See application file for complete search history.

(56) **References Cited**

U.S. PATENT DOCUMENTS

278,097 A * 5/1883 Collins F16G 11/14
24/129 B
1,687,372 A * 10/1928 Legat A43C 11/00
24/163 K

(Continued)

OTHER PUBLICATIONS

100 Silver Metal Bra Strap Adjuster, Ebay.com, [online], [site visited Mar. 14, 2018]. <URL: https://www.ebay.com/itm/100-Silver-Metal-Bra-Strap-Adjuster-Slider-Hook-O-Ring-Lingerie-Sewing-Craft-/381346313958> (Year: 2018).*

(Continued)

Primary Examiner — T. Chase Nelson

Assistant Examiner — Jonathan J Han

(74) *Attorney, Agent, or Firm* — Dale J. Ream

(57) **CLAIM**

The ornamental design for a bra strap adjustment clip, as shown and described.

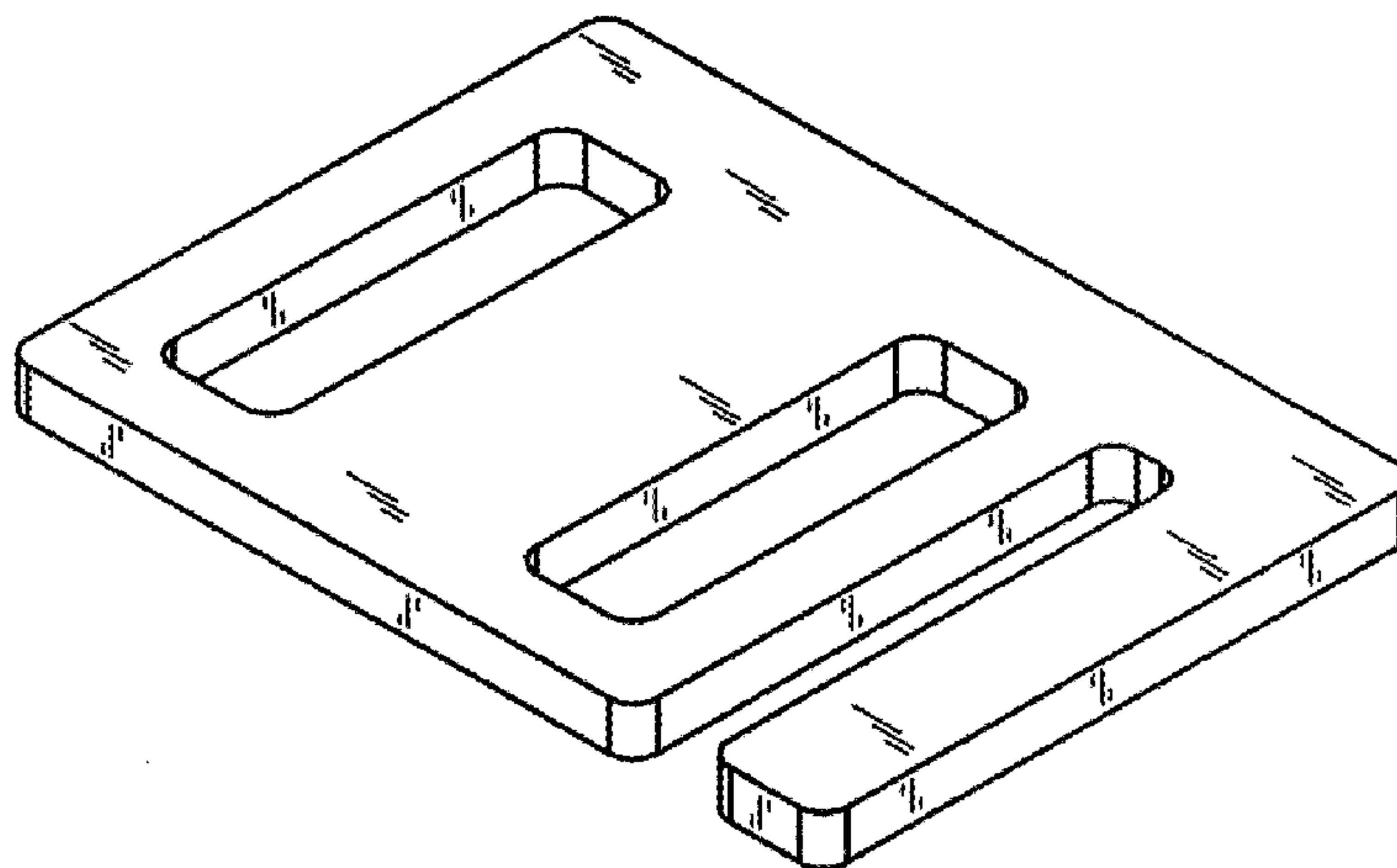
DESCRIPTION

FIG. 1 is a perspective view of a bra strap adjustment clip illustrated in use with a bra showing my new design; FIG. 2 is a perspective view thereof; FIG. 3 is a top plan view with the bottom plan view being a mirror image thereof; FIG. 4 is a front elevation view thereof; FIG. 5 is a back elevation view thereof; FIG. 6 is a right side elevation view thereof; and, FIG. 7 is a left side elevation view thereof.

In FIG. 1, the broken lines represent unclaimed environment subject matter and form no part of the claimed design. Likewise, the dash-dot-dot lines represent boundary lines that form no part of the claimed design.

The present invention is a secondary product for use with an already manufactured bra. It is not intended to replace current bra strap adjusters that are built into the bra. The present invention recognizes that a woman's breasts size changes due to a) hormones and b) weight fluctuation and/or exercise. The present invention also recognizes that repeated use of a bra causes it to stretch out and, as a result, change in size and fit. Therefore, the present invention consumes extra slack, shortens and adjusts bra straps so women can have a more comfortable fit, better support, and increase the longevity of their bras.

1 Claim, 4 Drawing Sheets



(56)

References Cited

U.S. PATENT DOCUMENTS

1,853,889 A * 4/1932 Alterson A44B 11/04
24/312
1,914,301 A * 6/1933 Schottenfels A41F 1/006
24/198
2,293,562 A * 8/1942 Rosenthal A44B 11/04
24/200
3,121,270 A * 2/1964 Broek B65D 63/16
24/197
D301,994 S * 7/1989 Lu D11/210
D313,343 S * 1/1991 Sachs D11/218
5,177,837 A * 1/1993 Rekuc A44B 11/00
24/198
5,644,822 A * 7/1997 Frew A44B 11/02
24/193
D389,728 S * 1/1998 Fitzwater D8/367
5,733,004 A * 3/1998 Celestina-Krevh B60N 2/26
24/197
D445,723 S * 7/2001 Kim D11/218
7,100,249 B2 * 9/2006 Hurn A44B 11/04
24/199
7,299,527 B1 * 11/2007 Gyure A44B 11/006
24/198
D622,178 S * 8/2010 Kelleghan D11/201
D666,525 S * 9/2012 Anderson D11/210
D671,447 S * 11/2012 Nerison, Sr. D11/210
D676,310 S * 2/2013 Lowrance D8/356

D701,110 S * 3/2014 Symons D8/373
D704,594 S * 5/2014 Cherin D11/210
D705,123 S * 5/2014 Thompson D11/210
D721,010 S * 1/2015 Spater D11/218
D731,296 S * 6/2015 Nelson D8/356
D744,373 S * 12/2015 Badgett D11/210
D782,364 S * 3/2017 Nykoluk D11/218
D805,955 S * 12/2017 Minson D11/218
2005/0066484 A1 * 3/2005 Hurn A44B 11/04
24/321
2014/0298623 A1 * 10/2014 Kissel, Jr. A44B 11/04
24/198
2016/0262479 A1 * 9/2016 Carr A41F 15/02

OTHER PUBLICATIONS

Anodic Aluminum G Hook Strong Adjustable Buckles, GlobalSources.com, [online], [site visited Mar. 14, 2018]. <URL: <http://www.globalsources.com/gso1/1/Bag-buckle/p/sm/1154630091.htm#1154630091>> (Year: 2018).*

IT G-Hook Waveloc Outdoor Device, Amazon.com, [online], [site visited Mar. 14, 2018]. <URL: https://www.amazon.com/ITW-G-Hook-Waveloc-Outdoor-Device/dp/B00DXNYTN0/ref=pd_sbs_200_2?_encoding=UTF8&pd> (Year: 2018).*

Ti Hook Titanium Belt, CarbonTactics.com, [online], [site visited Mar. 14, 2018]. <URL: <https://www.carbontactics.com/products/ti-hook>> (Year: 2018).*

* cited by examiner

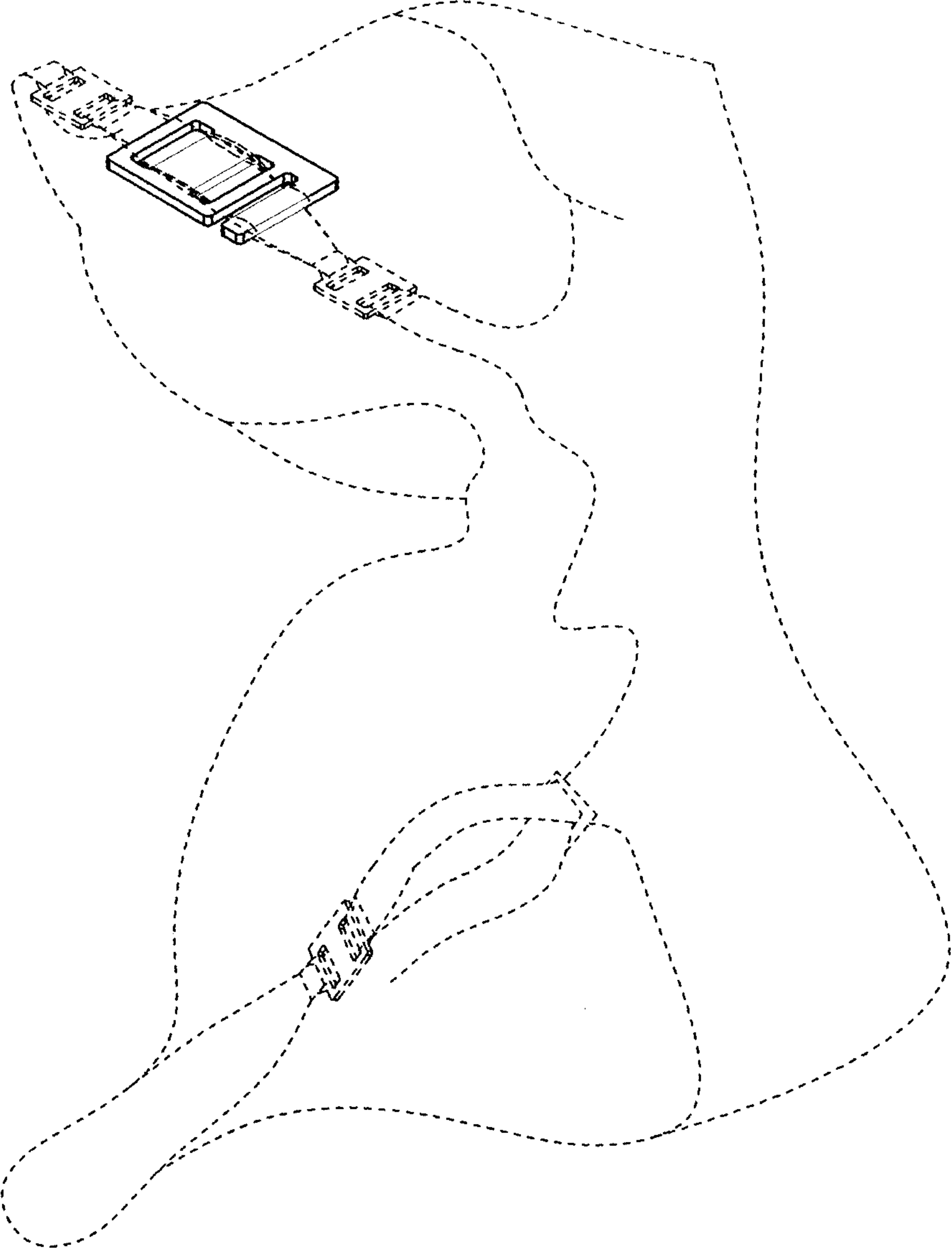


FIG. 1

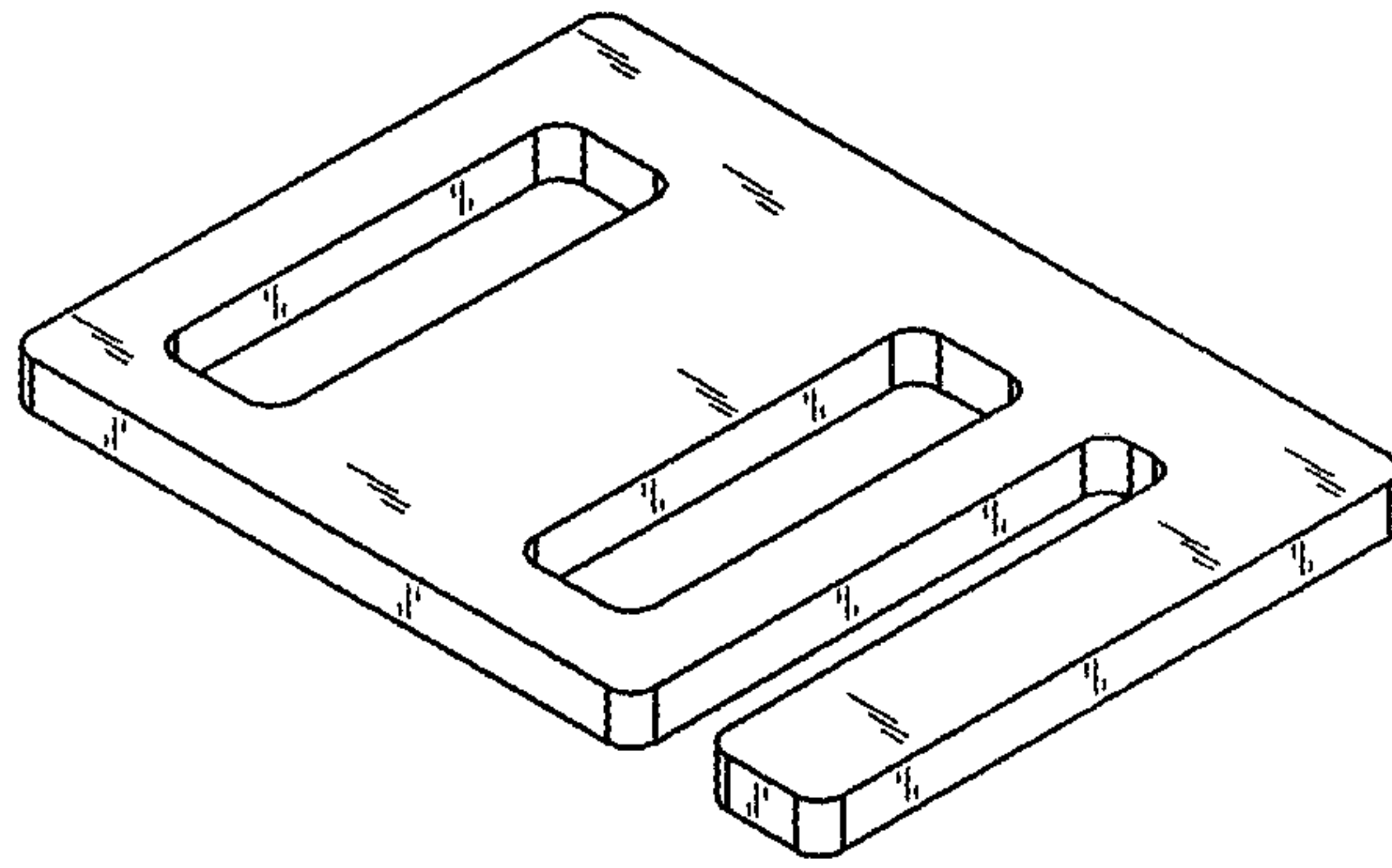


FIG. 2



FIG. 3

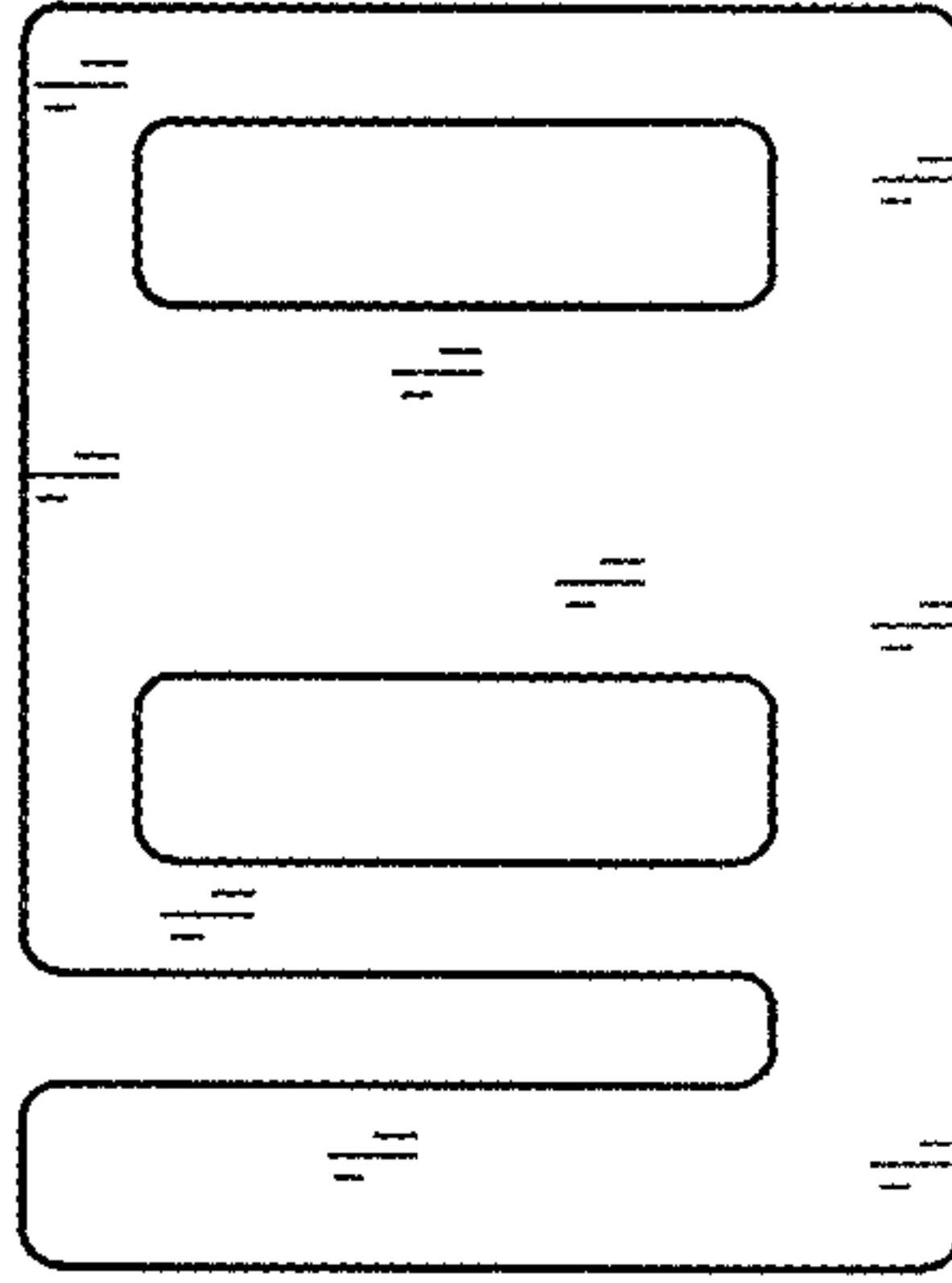


FIG. 4

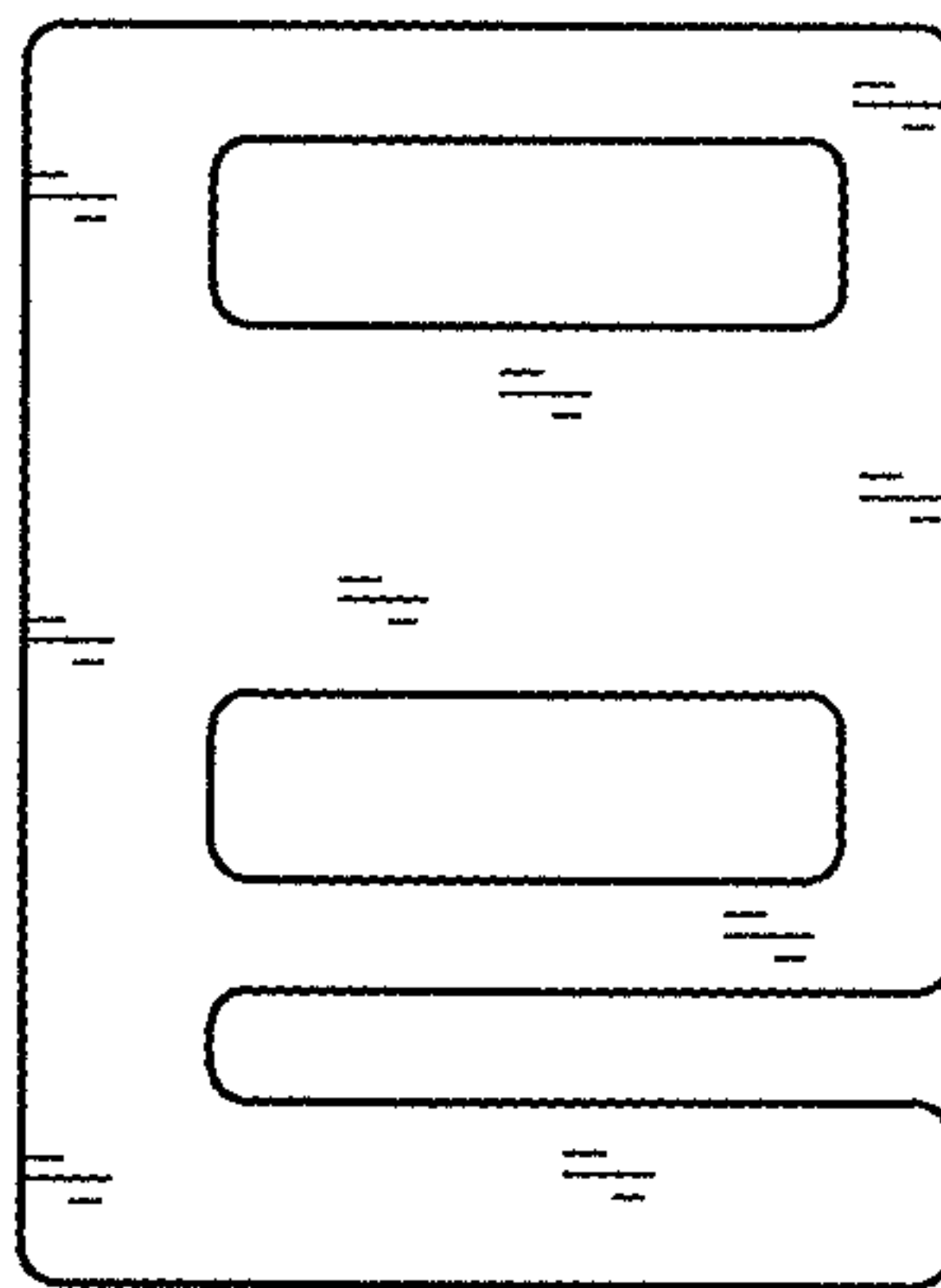


FIG. 5



FIG. 6



FIG. 7