



US00D829127S

(12) **United States Design Patent** (10) **Patent No.:** **US D829,127 S**  
**Beauregard et al.** (45) **Date of Patent:** **\*\* Sep. 25, 2018**

(54) **FIGURINE**

D248,115 S 6/1978 Tapdrup  
D248,172 S 6/1978 Tapdrup  
D248,173 S 6/1978 Tapdrup  
D248,174 S 6/1978 Tapdrup

(71) Applicant: **MEGA Brands Inc.**, Montreal (CA)

(72) Inventors: **Thierry Beauregard**, Boisbriand (CA);  
**Sylvain Charria**, Montreal (CA);  
**Dorina Lusmanschi**, Côte Saint-Luc (CA)

(Continued)

(73) Assignee: **MEGA Brands Inc.**, Montreal, Quebec (CA)

**OTHER PUBLICATIONS**

“Mega Bloks Rescue Squad, First Builders,” Mega Bloks item #6623, <URL: <https://web.archive.org/web/20130831045609/http://www.megabloks.com/en-us/shop/construction-toys/first-builders/rescue-squad-6623>>, 3 pages, published Aug. 31, 2013.

(\*\*) Term: **15 Years**

(Continued)

(21) Appl. No.: **29/604,606**

*Primary Examiner* — Cathron C Brooks

(22) Filed: **May 18, 2017**

*Assistant Examiner* — W. A. Teddy Falloway

(74) *Attorney, Agent, or Firm* — Plumsea Law Group, LLC

**Related U.S. Application Data**

(63) Continuation of application No. 29/560,971, filed on Apr. 12, 2016, now Pat. No. Des. 790,395.

(51) **LOC (11) Cl.** ..... **11-02**

(52) **U.S. Cl.**

USPC ..... **D11/160**; D21/621; D21/623

(58) **Field of Classification Search**

USPC ..... D11/30–32, 48, 49, 53–58, 81–83, D11/99–104, 107, 121, 125–128, 131, D11/133–137, 142, 149, 150, 157, 158, D11/160, 162, 184; D21/483, 576, 578, D21/579, 585, 587, 593, 594, 606, 621, D21/623, 626, 630, 633, 653, 658; D20/29–33; 446/97–99, 102–106, 446/124–128, 268, 313, 330, 371, 376, 446/377, 387, 388, 390; 428/4, 8, 9, 11

See application file for complete search history.

(56) **References Cited**

**U.S. PATENT DOCUMENTS**

D239,634 S 4/1976 Knudsen et al.  
D239,846 S 5/1976 Knudsen et al.

(57) **CLAIM**

The ornamental design for a figurine, as shown and described.

**DESCRIPTION**

FIG. 1 is a top isometric perspective view of a figurine showing the new design;

FIG. 2 is a front elevational view of the figurine of FIG. 1;

FIG. 3 is a rear elevational view of the figurine of FIG. 1;

FIG. 4 is a left side elevational view of the figurine of FIG. 1;

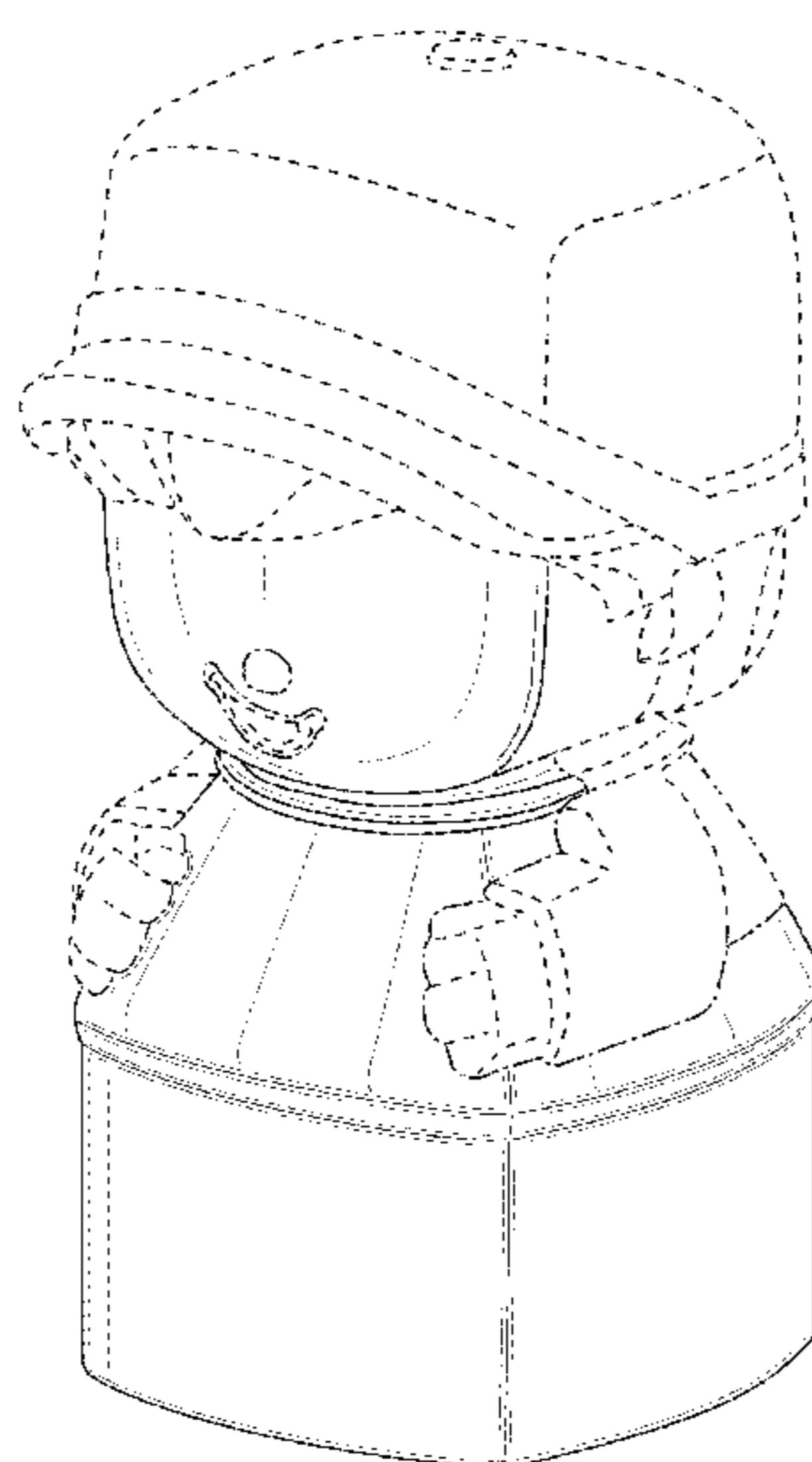
FIG. 5 is a right side elevational view of the figurine of FIG. 1;

FIG. 6 is a top plan view of the figurine of FIG. 1; and,

FIG. 7 is a bottom plan view of the figurine of FIG. 1.

The dash-dash broken lines represent portions of the figurine. The dash-dot broken lines represent the bounds of the claim. The broken lines and unshaded areas form no part of the claimed design.

**1 Claim, 7 Drawing Sheets**



(56)

References Cited

U.S. PATENT DOCUMENTS

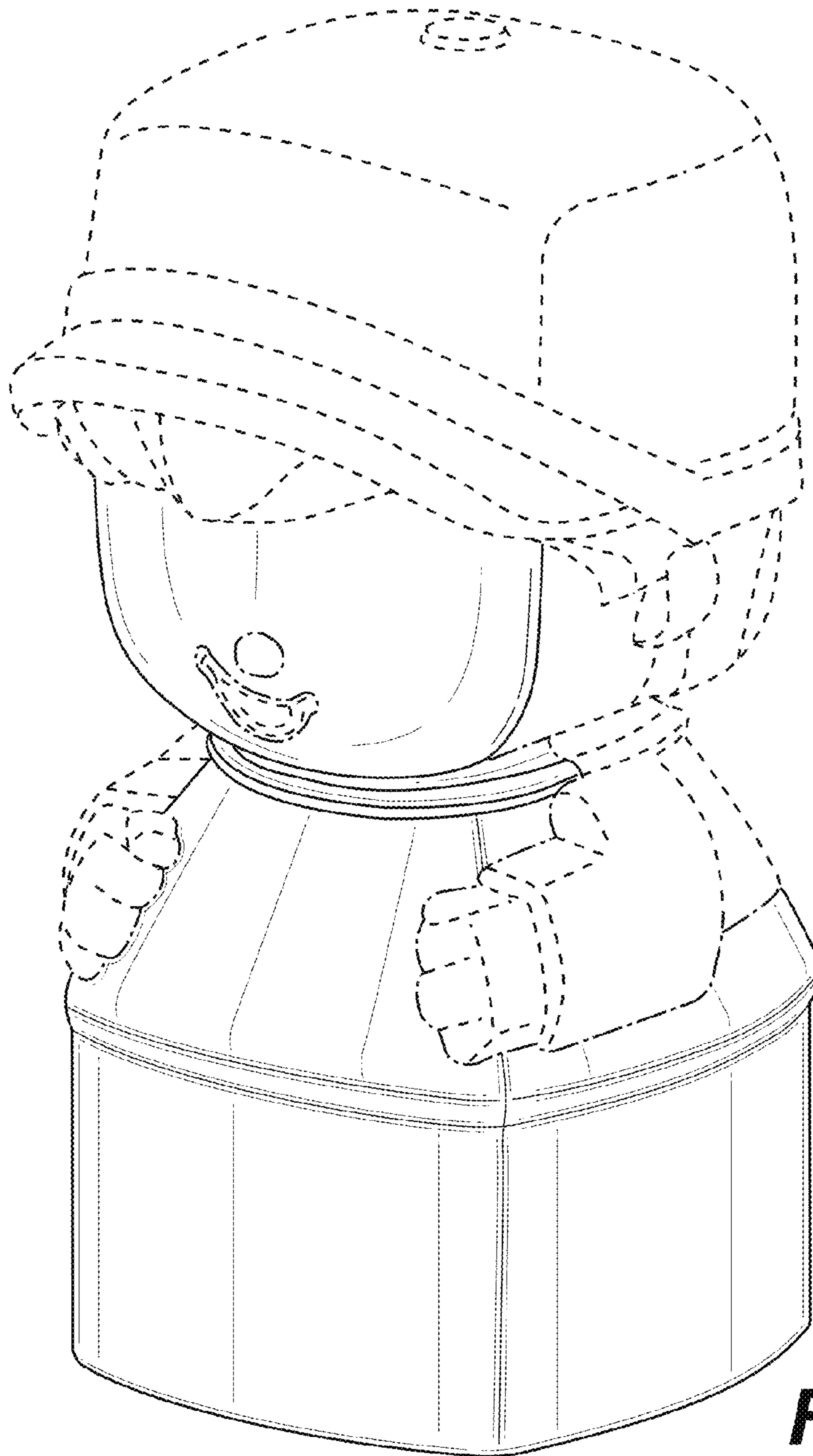
D248,175 S 6/1978 Tapdrup  
 D248,176 S 6/1978 Tapdrup  
 D248,177 S 6/1978 Tapdrup  
 D248,178 S 6/1978 Tapdrup  
 D248,582 S 7/1978 Tapdrup  
 D251,261 S 3/1979 Tapdrup  
 D253,711 S 12/1979 Christiansen et al.  
 D255,813 S 7/1980 Pape et al.  
 D259,647 S \* 6/1981 Takahashi ..... D21/593  
 D259,648 S \* 6/1981 Takahashi ..... D21/591  
 D260,159 S \* 8/1981 Takahashi ..... D21/593  
 D260,665 S 9/1981 Yamashina  
 D278,645 S 4/1985 Nielsen  
 D278,735 S 5/1985 Nielsen  
 D279,494 S 7/1985 Nielsen  
 D282,944 S 3/1986 Nielsen  
 D283,149 S 3/1986 Nielsen  
 D283,150 S 3/1986 Jensen  
 D283,906 S 5/1986 Nielsen  
 D284,091 S \* 6/1986 Arnau (Pibet) ..... D21/577  
 D291,585 S 8/1987 Bertrand  
 D301,499 S 6/1989 Tapdrup  
 D301,500 S 6/1989 Tapdrup  
 D325,605 S 4/1992 Holmstrom  
 D329,069 S 9/1992 Holmstrom  
 D329,070 S 9/1992 Holmstrom  
 D329,884 S 9/1992 Holmstrom  
 D332,117 S 12/1992 Holmstrom  
 D362,879 S \* 10/1995 Jensen ..... D21/621  
 D481,083 S 10/2003 Bresciani et al.  
 D494,642 S 8/2004 Bresciani et al.  
 D494,643 S 8/2004 Bresciani et al.  
 D495,764 S 9/2004 Bresciani et al.  
 D504,708 S \* 5/2005 Wang ..... D21/630  
 D531,084 S 10/2006 McGowen et al.  
 D531,541 S 11/2006 McGowen et al.  
 D531,542 S 11/2006 McGowen et al.  
 D611,108 S 3/2010 Bodin  
 D631,786 S 2/2011 Palmer  
 D639,353 S 6/2011 Stibolt  
 D672,410 S 12/2012 Dubreuil et al.  
 D672,411 S 12/2012 Dubreuil et al.  
 D672,412 S 12/2012 Dubreuil et al.  
 D672,413 S 12/2012 Dubreuil et al.  
 D740,683 S 10/2015 Kassouni  
 D746,171 S 12/2015 Lau et al.  
 D760,328 S 6/2016 Croston et al.  
 D760,330 S 6/2016 Croston et al.  
 D762,787 S 8/2016 Barbiani et al.  
 D784,850 S \* 4/2017 Kawase ..... D11/142  
 D790,395 S \* 6/2017 Beauregard ..... D11/160

D792,960 S \* 7/2017 Locker ..... D21/621  
 2008/0009217 A1 \* 1/2008 Leonhardt ..... A23G 3/563  
 446/73  
 2014/0227936 A1 \* 8/2014 Botterill ..... A63H 33/04  
 446/99

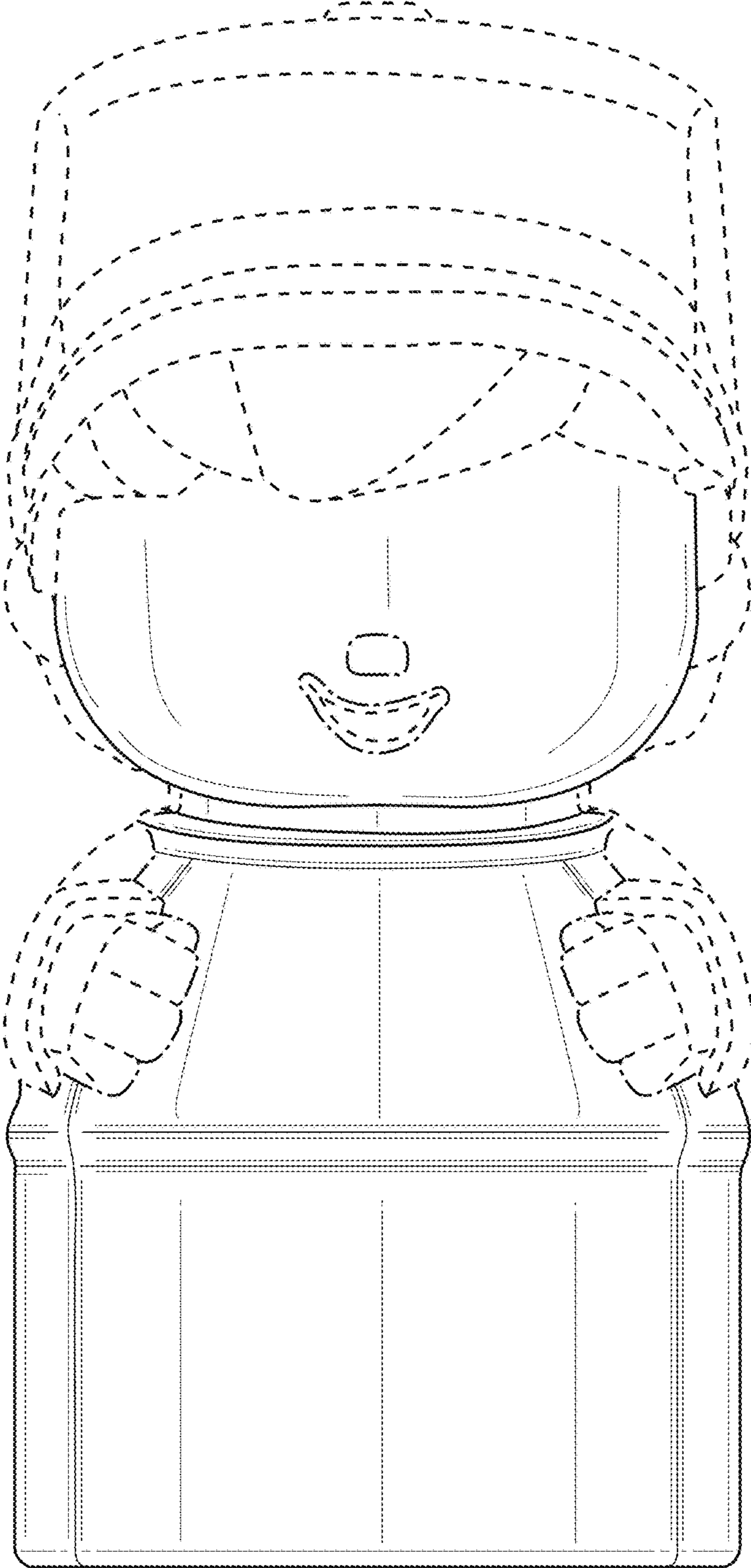
OTHER PUBLICATIONS

“Mega Bloks Block Buddies, First Builders,” Mega Bloks item #81215, <URL: <https://web.archive.org/web/20140808082347/http://www.megabloks.com/en-us/shop/construction-toys/first-builders/block-buddies-81215>>, 2 pages, published Aug. 8, 2014.  
 “Mega Bloks Collection: Dora the Explorer,” <URL: <https://web.archive.org/web/20141019205539/http://www.megabloks.com/en-ca/shop/construction-toys/dora-the-explorer>>, 3 pages, published Oct. 19, 2014.  
 “Duplo Figure Bust Short with Striped Dungarees and Black Male Hair,” Lego Part 2327cx1, first produced 1994 according to: <URL: <http://www.peeron.com/inv/parts/2327cx1>>, 2 pages.  
 “Duplo Figure Bust Short with Suspenders, Yellow Freckle Nose, and Red Male Hair,” Lego Part 2327cx3, first produced 1992 according to: <URL: <http://www.peeron.com/inv/parts/2327cx3>>, 2 pages.  
 “Duplo Figure Bust Tall with Freckle Nose and Brown Ragged Male Hair,” Lego Part x829cx12, first produced 1984 according to: <URL: <http://www.peeron.com/inv/parts/x829cx12>>, 3 pages.  
 “Duplo Figure Bust Tall with Male Face (Thick Eyebrows) and Yellow Derby Hat,” Lego Part x829cx23, first produced 1980 according to: <URL: <http://www.peeron.com/inv/parts/x829cx23>>, 3 pages.  
 “Mega Bloks Block Buddies My Pony Stable Instructions,” 2004, 6 pages.  
 Mega Bloks First Builders School Bus Building Set (via Amazon), available Feb. 1, 2017, [online], [site visited Feb. 1, 2017]. Available from internet, <URL: [https://www.amazon.com/Mega-Bloks-Builders-School-Building/dp/B01CW6EL72/ref=pd\\_sim\\_21\\_3?\\_encoding=UTF8&pd\\_rd\\_i=B01CW6EL72&pd\\_rd\\_r=Q3W4BME1AB6XPVDJ7HJX&pd\\_rd\\_w=EIOMK&pd\\_rd\\_wg=urqUF&psc=1&refRID=Q3](https://www.amazon.com/Mega-Bloks-Builders-School-Building/dp/B01CW6EL72/ref=pd_sim_21_3?_encoding=UTF8&pd_rd_i=B01CW6EL72&pd_rd_r=Q3W4BME1AB6XPVDJ7HJX&pd_rd_w=EIOMK&pd_rd_wg=urqUF&psc=1&refRID=Q3)>.  
 Mega Bloks Pink Convertible Building Set (via Amazon), available Jan. 4, 2017, [online], [site visited Feb. 1, 2017]. Available from internet, <URL: [https://www.amazon.com/Mega-Bloks-Pink-Convertible-Building/dp/B01CW6EL0E/ref=cm\\_cr\\_ar\\_p\\_d\\_pdt\\_img\\_top?ie=UTF8](https://www.amazon.com/Mega-Bloks-Pink-Convertible-Building/dp/B01CW6EL0E/ref=cm_cr_ar_p_d_pdt_img_top?ie=UTF8)>.  
 Mega Bloks Dylan Dump Truck (via Amazon), available Jan. 17, 2013, [online], [site visited Feb. 1, 2017]. Available from internet, <URL: [https://www.amazon.com/Mega-Bloks-Dylan-Dump-Truck/dp/B006LEZ9EQ/ref=sr\\_1\\_1?s=toys-and-games&ie=UTF8&qid=1486358821&sr=1-1&keywords=dylan+dump+truck](https://www.amazon.com/Mega-Bloks-Dylan-Dump-Truck/dp/B006LEZ9EQ/ref=sr_1_1?s=toys-and-games&ie=UTF8&qid=1486358821&sr=1-1&keywords=dylan+dump+truck)>.

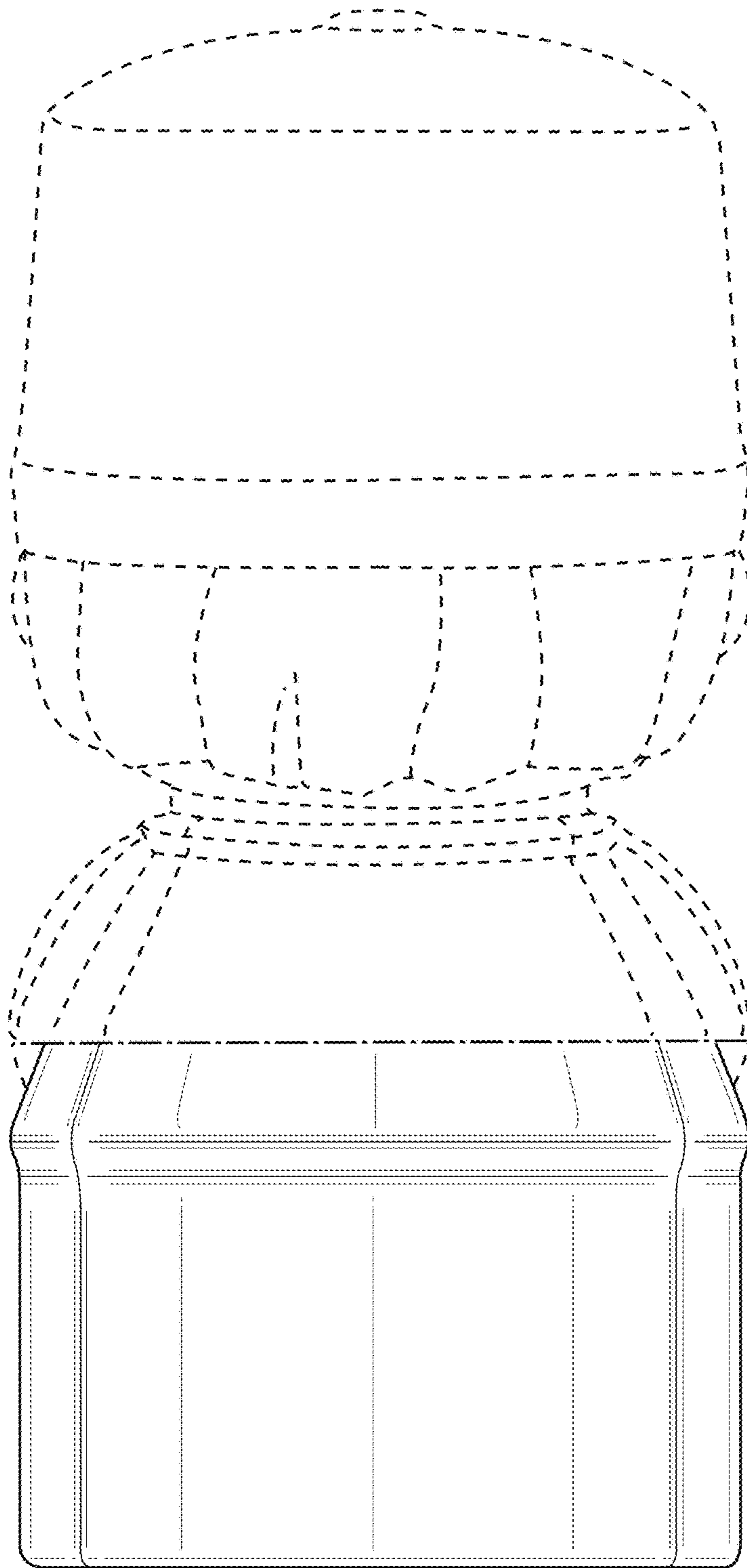
\* cited by examiner



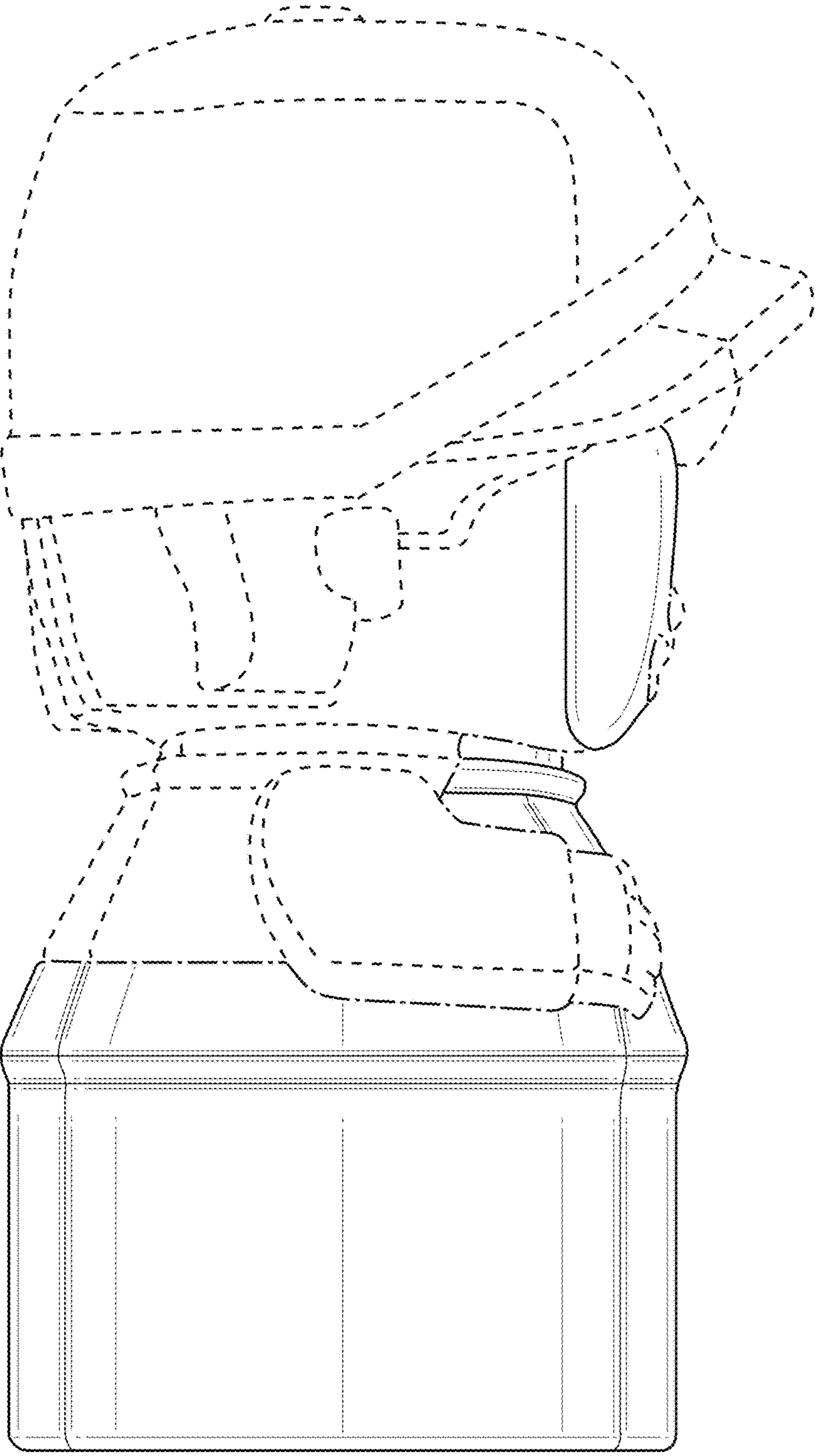
**FIG. 1**



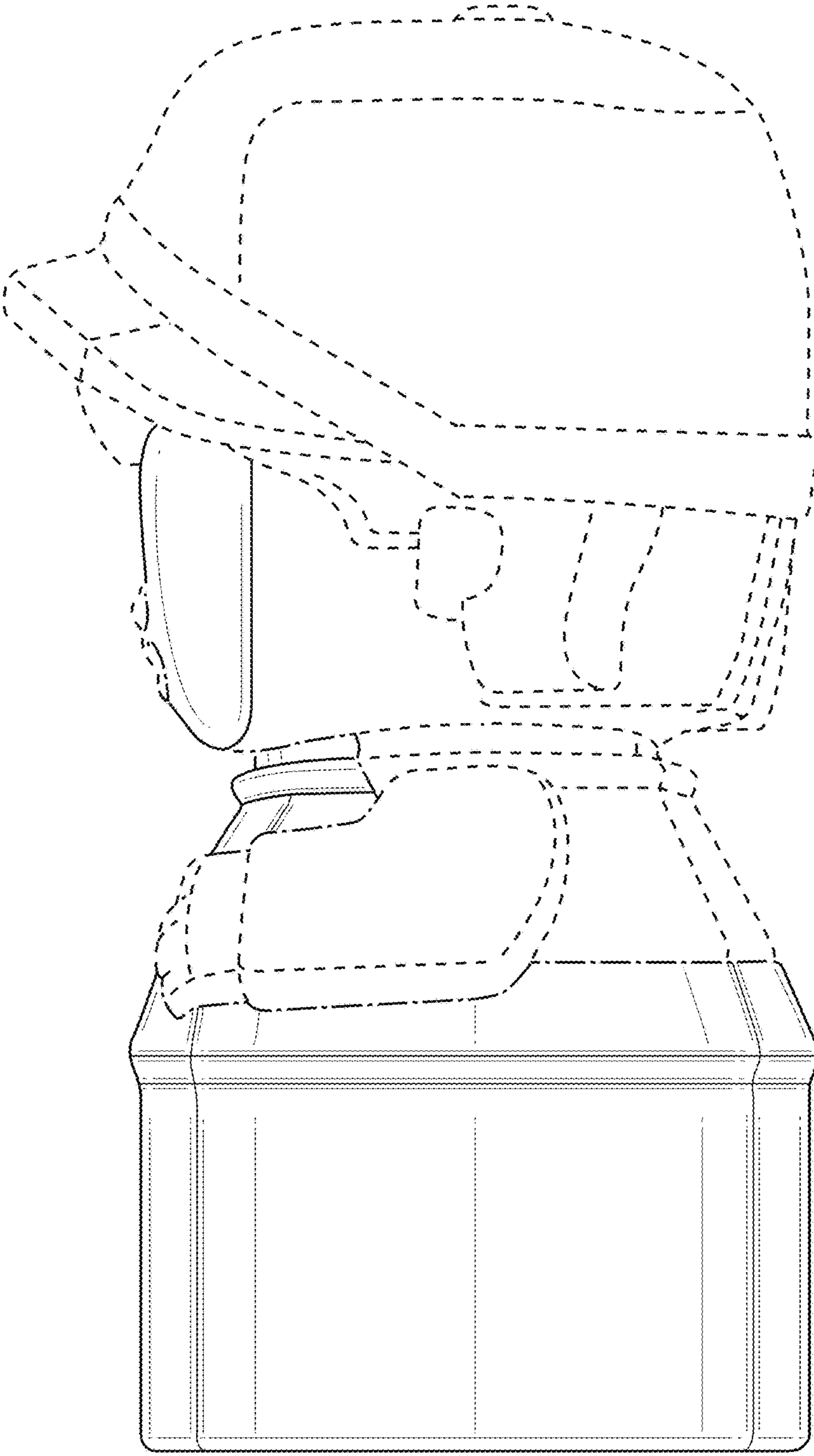
**FIG. 2**



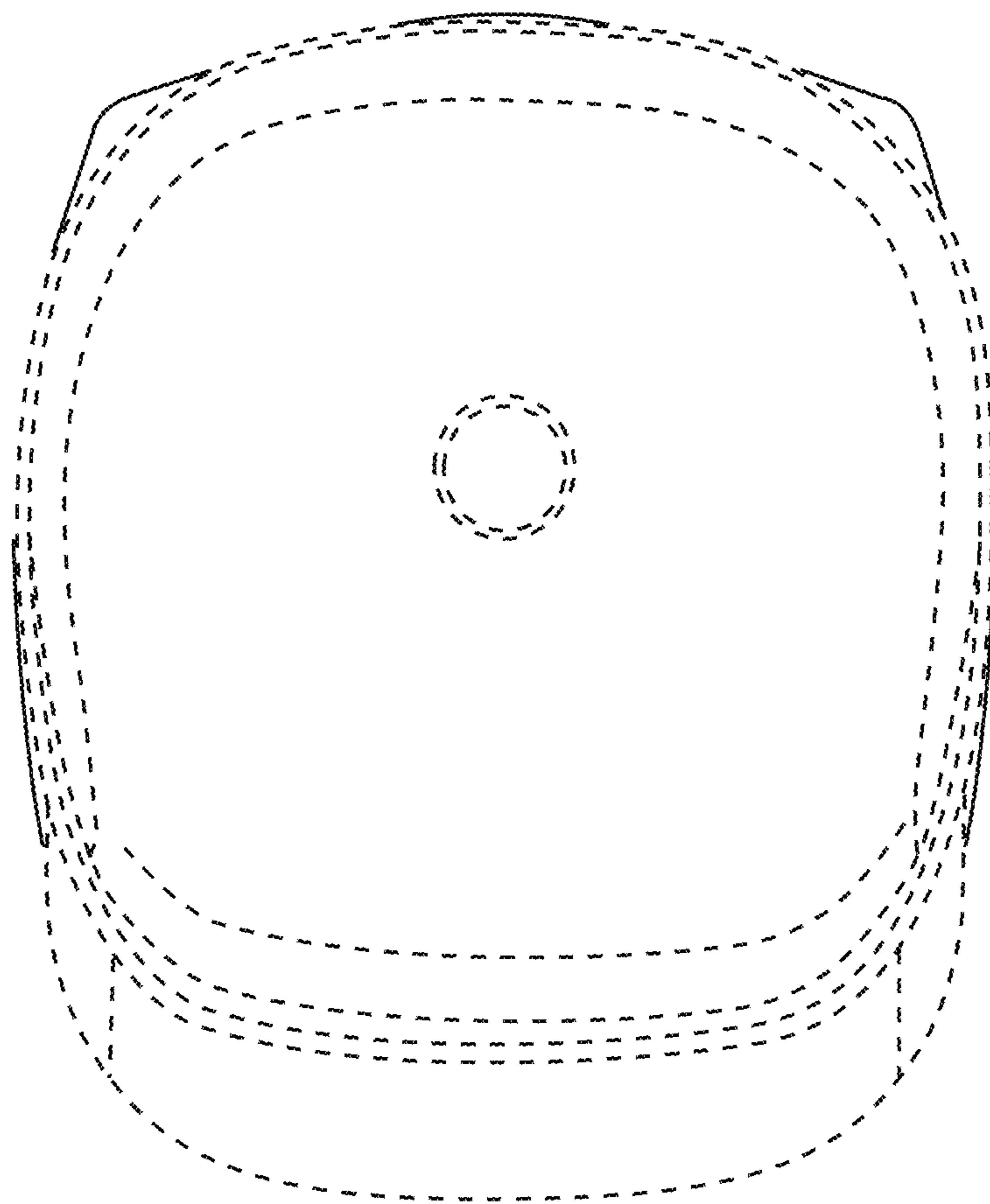
**FIG. 3**



**FIG. 4**

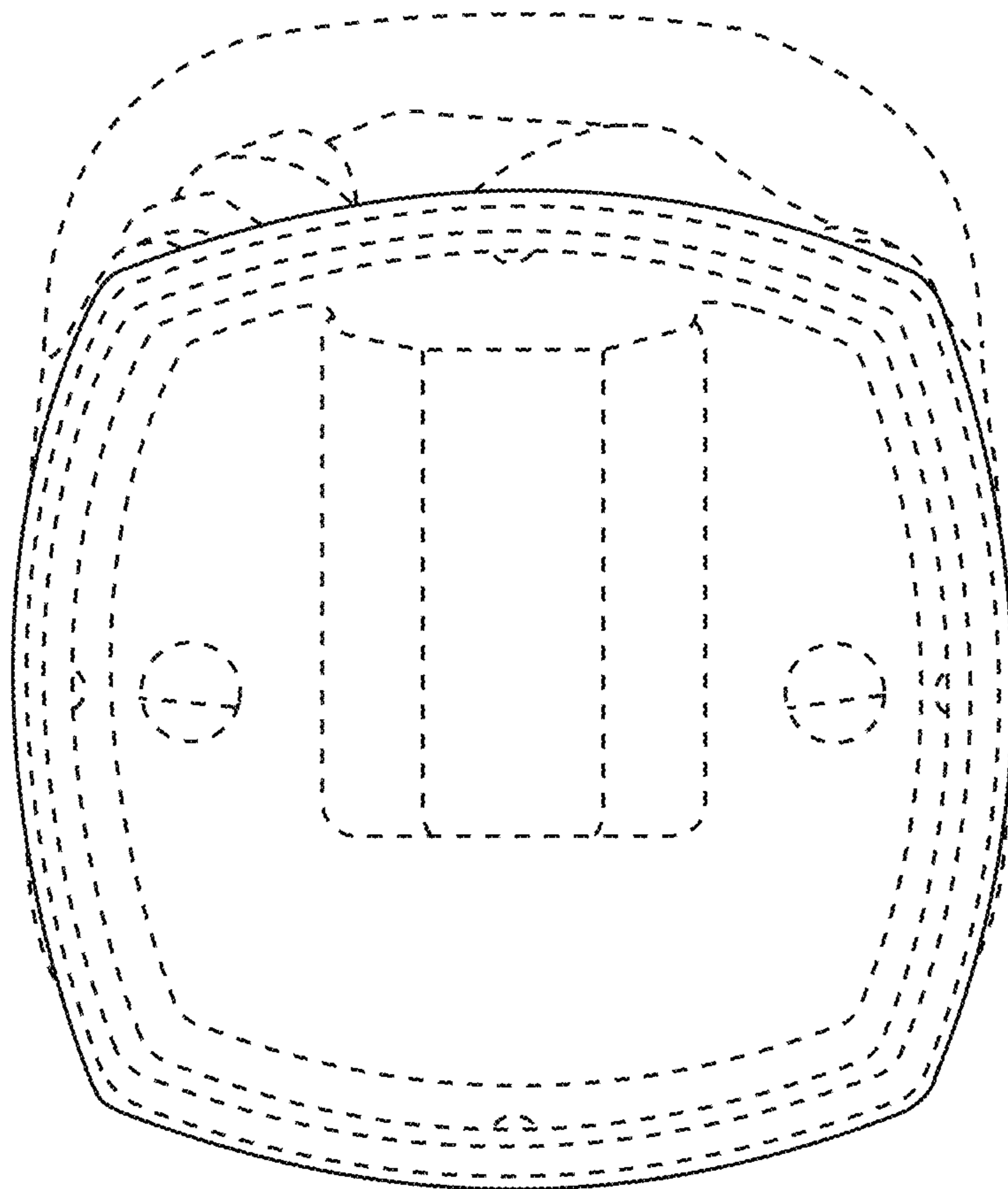


**FIG. 5**



**FIG. 6**





**FIG. 7**