



US00D829120S

(12) **United States Design Patent** (10) **Patent No.:** **US D829,120 S**  
**Mitchell et al.** (45) **Date of Patent:** **\*\* Sep. 25, 2018**

(54) **SENSOR HOUSING**  
(71) Applicant: **Avigilon Corporation**, Vancouver (CA)  
(72) Inventors: **Ross Allen Mitchell**, Vancouver (CA);  
**Sudeep Mohan**, Surrey (CA)  
(73) Assignee: **Avigilon Corporation**, Vancouver (CA)  
(\*\*) Term: **15 Years**  
(21) Appl. No.: **29/595,728**

D576,901 S \* 9/2008 Fraser ..... D10/104.1  
D618,999 S \* 7/2010 Akana ..... D9/430  
D624,316 S \* 9/2010 Ferber ..... D3/294  
D665,280 S \* 8/2012 Petrillo ..... D10/50  
D669,440 S \* 10/2012 Wu ..... D13/162  
D715,667 S \* 10/2014 Shigeno ..... D10/70  
D740,692 S \* 10/2015 Christie ..... D9/748  
D761,902 S \* 7/2016 Matsumoto ..... D18/50  
D778,184 S \* 2/2017 Kikstra ..... D10/106.6  
D778,192 S \* 2/2017 Bolger ..... D10/106.2  
D778,445 S \* 2/2017 Cadio ..... D24/169  
D793,262 S \* 8/2017 Geskin Zinovi ..... D10/104.1  
D795,109 S \* 8/2017 Olodort ..... D10/104.1

\* cited by examiner

(22) Filed: **Mar. 1, 2017**  
(51) **LOC (11) Cl.** ..... **10-05**  
(52) **U.S. Cl.**  
USPC ..... **D10/104.1**; D10/46  
(58) **Field of Classification Search**  
USPC ..... D10/46, 47, 49, 50, 57, 61, 70, 71,  
D10/82-87, 90, 97, 100-102, 104.1,  
D10/106.2, 106.6, 106.8, 106.9, 106.95,  
D10/116.1, 118.2, 121, 122, 125, 126;  
D16/237-239, 248; D21/398, 405;  
D24/107, 232; D99/99  
CPC ..... F21V 23/0442; Y10S 250/01; Y10S  
362/802; G08B 19/00; G08B 29/16  
See application file for complete search history.

*Primary Examiner* — Melanie H Tung  
*Assistant Examiner* — Fritzgerald L Butac  
(74) *Attorney, Agent, or Firm* — Daniel Hammond

(57) **CLAIM**

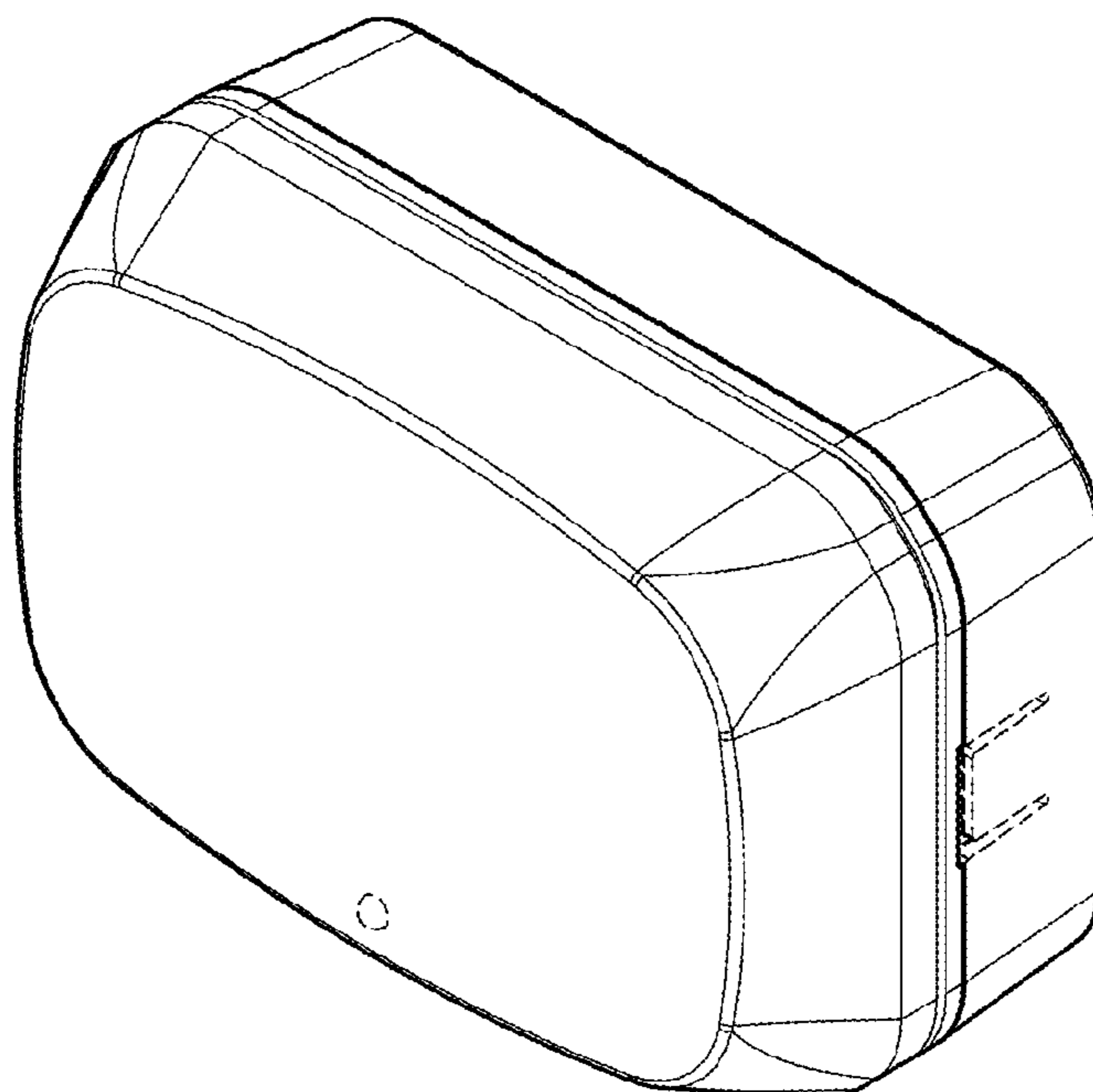
We claim the ornamental design for a sensor housing, as shown and described.

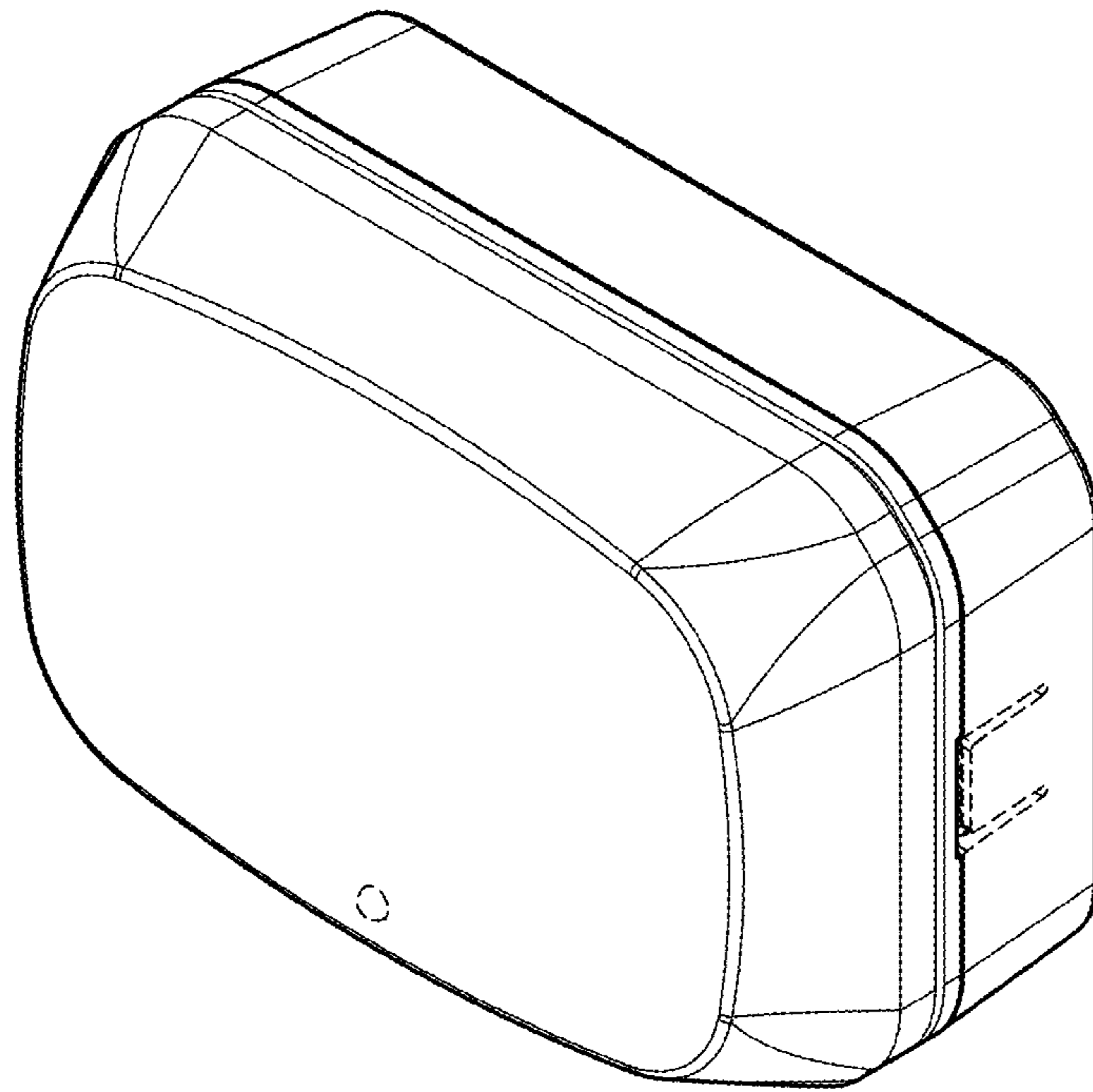
**DESCRIPTION**

FIG. 1 is a front perspective view of the design;  
FIG. 2 is a front view of the design;  
FIG. 3 is a back view of the design;  
FIG. 4 is a top view of the design;  
FIG. 5 is a bottom side view of the design;  
FIG. 6 is a right side view of the design; and,  
FIG. 7 is a left side view of the design.  
The broken lines show portions of a sensor housing that form no part of the claimed design.

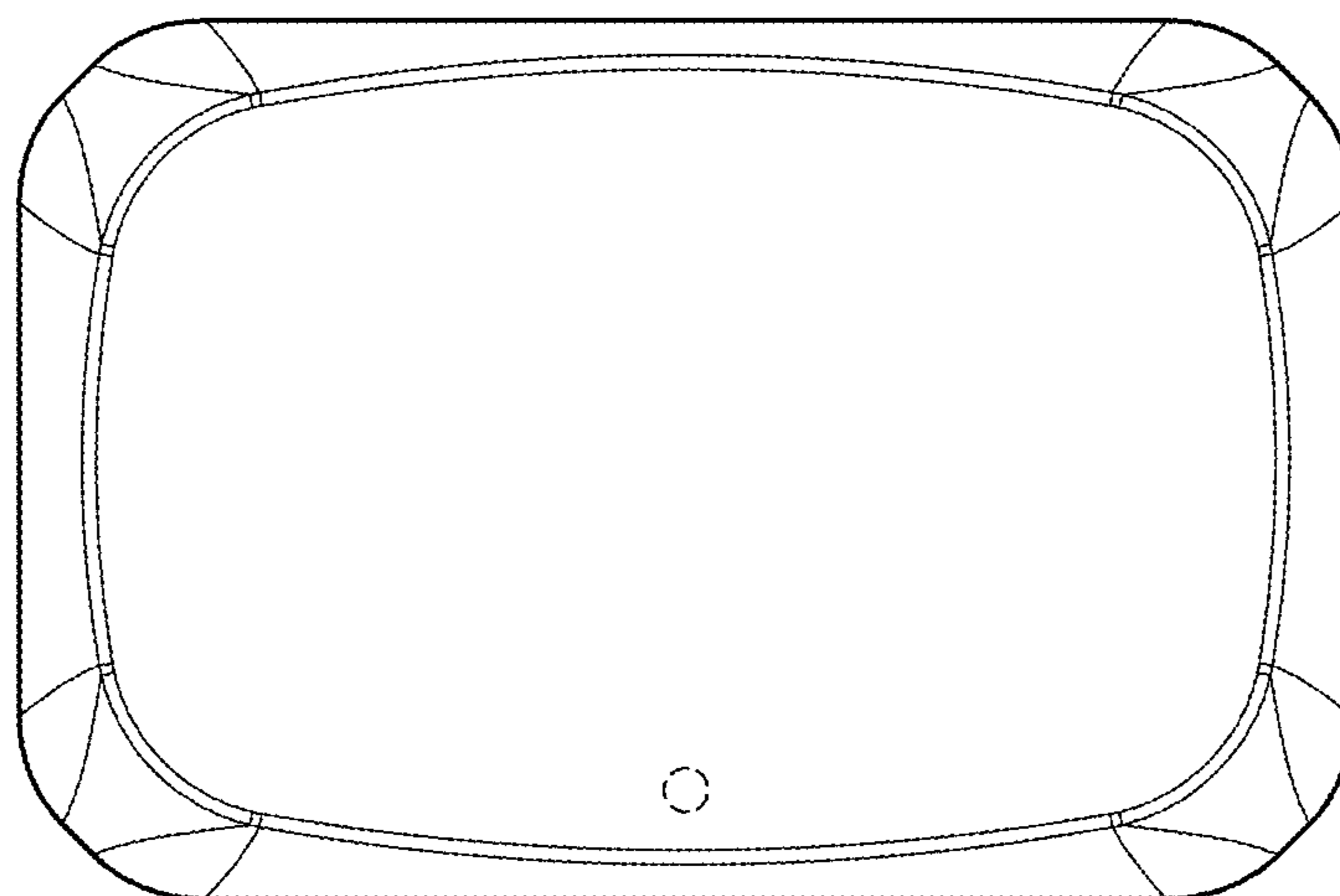
(56) **References Cited**  
U.S. PATENT DOCUMENTS  
D333,883 S \* 3/1993 Mann ..... D28/44.1  
D541,689 S \* 5/2007 Meyers ..... D10/118  
D548,121 S \* 8/2007 Rapp ..... D10/89  
D557,624 S \* 12/2007 Coster ..... D10/70

**1 Claim, 4 Drawing Sheets**

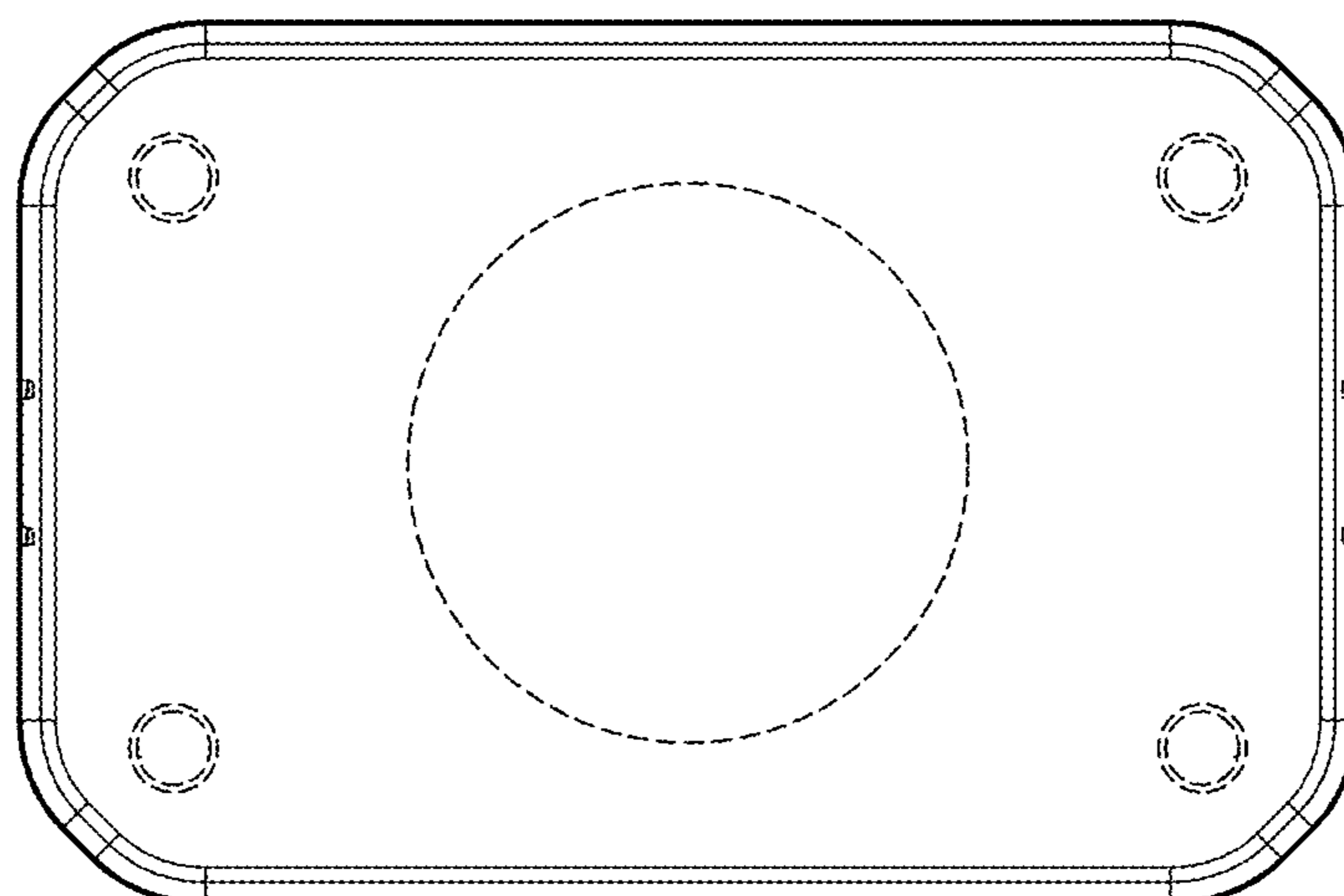




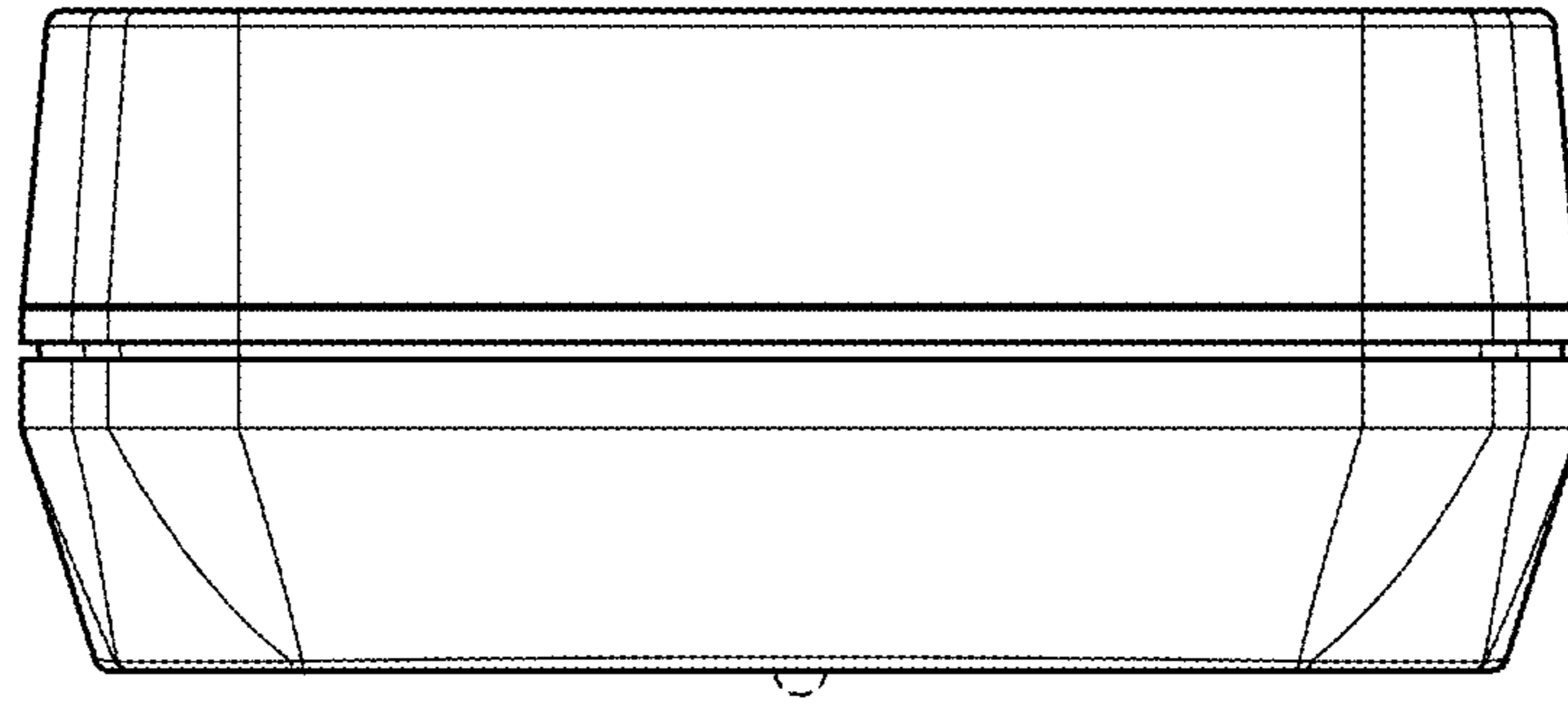
**FIG. 1**



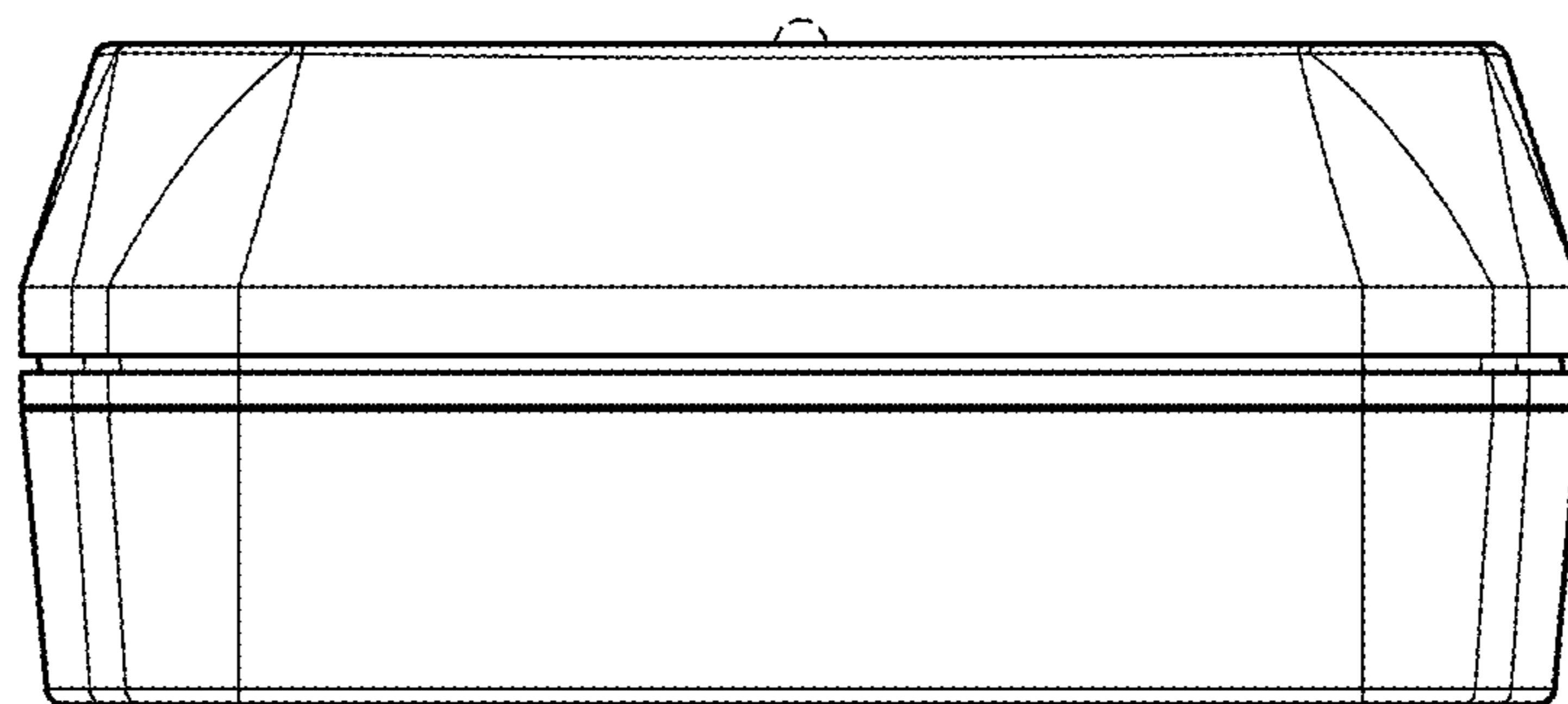
**FIG. 2**



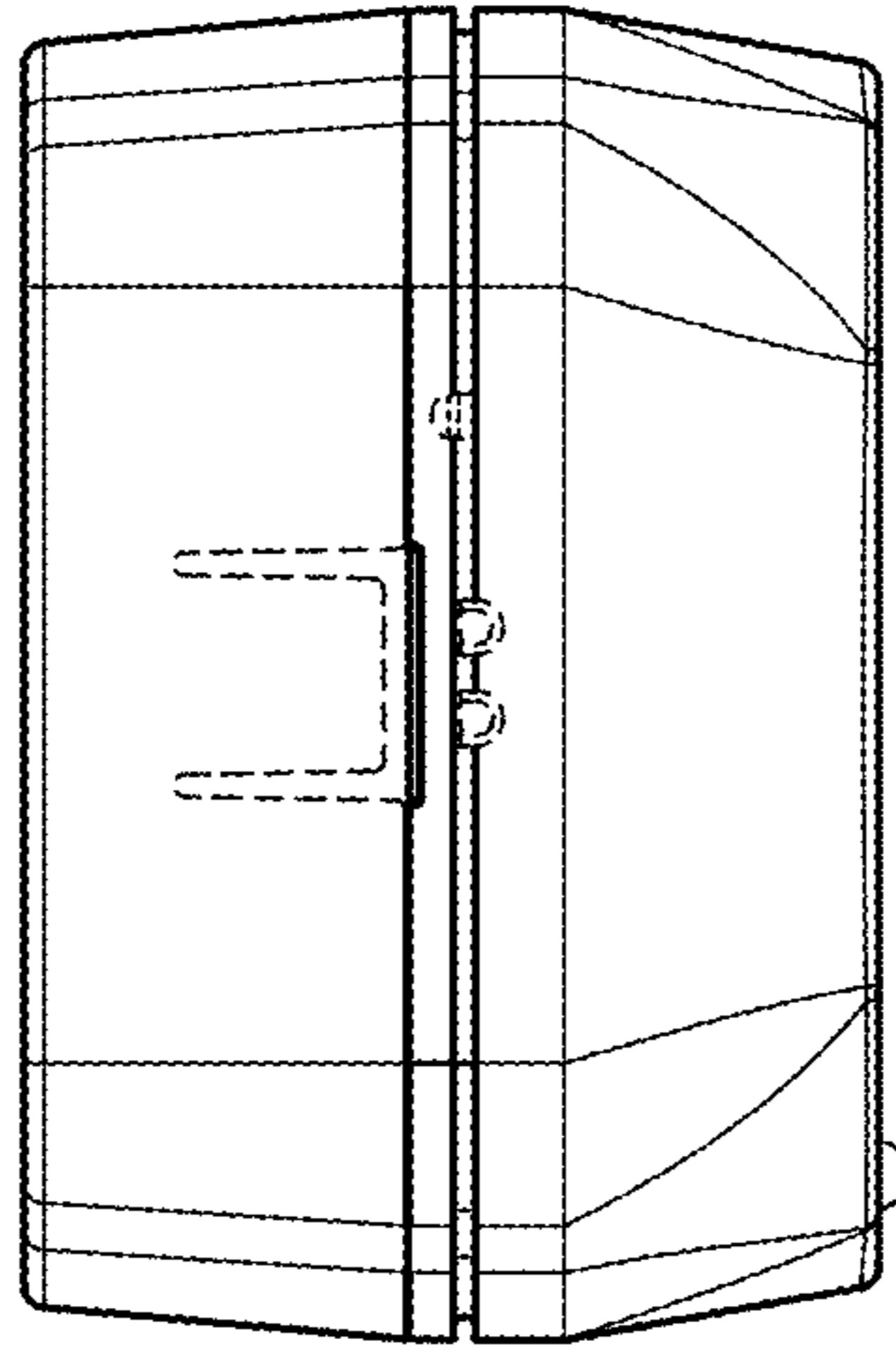
**FIG. 3**



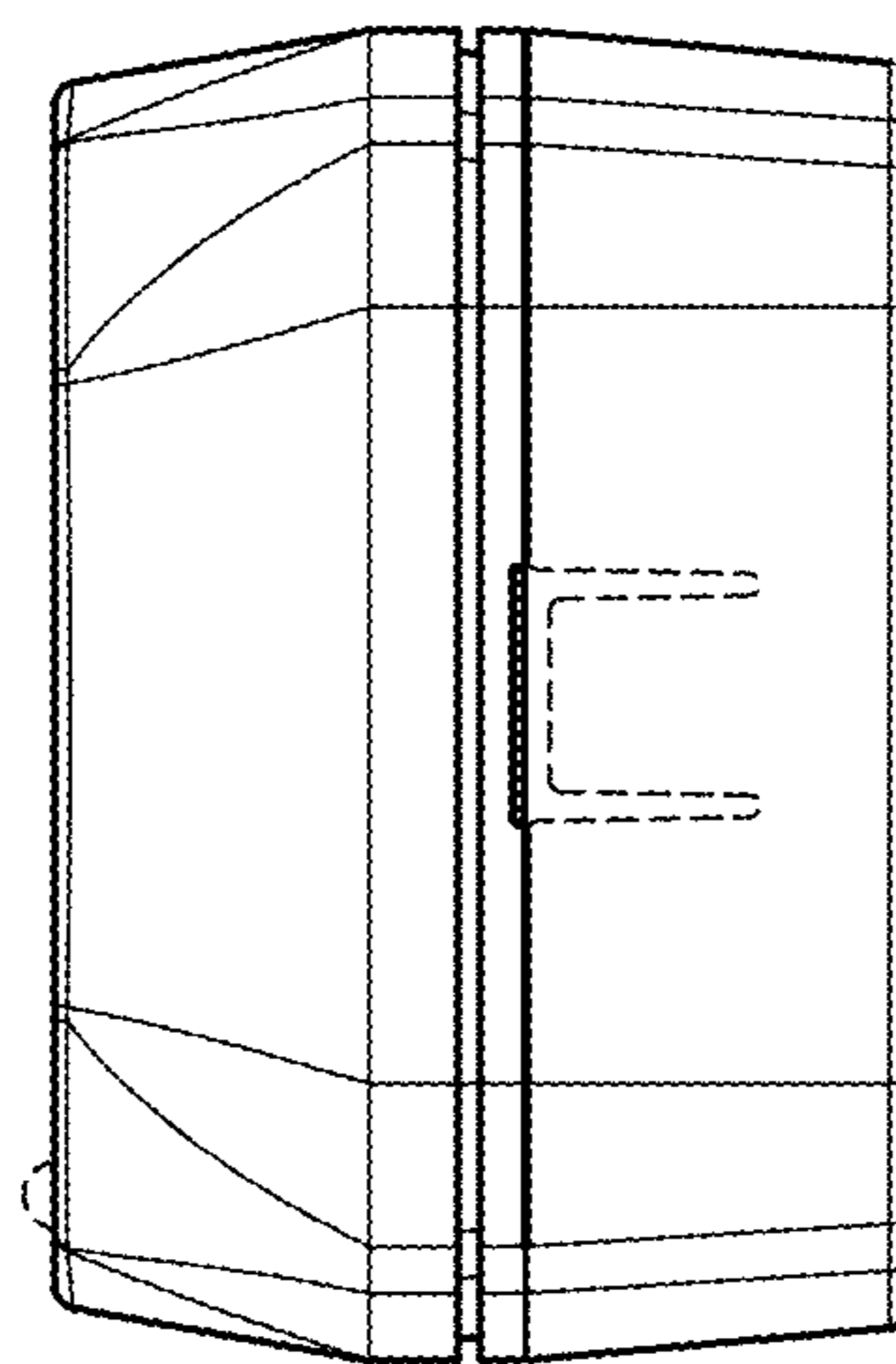
**FIG. 4**



**FIG. 5**



**FIG. 6**



**FIG. 7**