



US00D829119S

(12) **United States Design Patent** (10) **Patent No.:** **US D829,119 S**
Osawa et al. (45) **Date of Patent:** **** Sep. 25, 2018**

- (54) **FLOWMETER**
- (71) Applicant: **Tatsuno Corporation**, Tokyo (JP)
- (72) Inventors: **Norikazu Osawa**, Tokyo (JP); **Takeshi Ozeki**, Tokyo (JP)
- (73) Assignee: **TATSUNO CORPORATION**, Tokyo (JP)
- (**) Term: **15 Years**
- (21) Appl. No.: **29/596,624**
- (22) Filed: **Mar. 9, 2017**
- (51) **LOC (11) Cl.** **10-04**
- (52) **U.S. Cl.**
USPC **D10/96**
- (58) **Field of Classification Search**
USPC D10/83, 85, 96, 99, 100, 101, 102;
D23/200, 233-239, 241, 242, 246, 247,
D23/249, 250
CPC G01F 1/3227; G01F 1/56; G01F 1/588;
G01F 1/60; G01F 1/667; G01F 1/74;
G01F 1/8431; G01F 1/8486; G01F 1/849;
G01F 1/86; G01F 15/06; G01F 15/061;
G01F 15/063; G01F 15/0755; G01F
15/14; G01F 25/0007; Y10T 137/2273
See application file for complete search history.

7,109,883 B2 * 9/2006 Trimble G01D 11/24
340/870.16
D582,814 S * 12/2008 Ball D10/96
D583,692 S * 12/2008 Ball D10/96
D601,050 S * 9/2009 Satoh D10/96
(Continued)

FOREIGN PATENT DOCUMENTS

JP 57069212 A * 4/1982

OTHER PUBLICATIONS

Rosemount Field Mount Flow Meter Transmitter, posted on emerson.com, no posted date given, no production date given, [online], [site visited Mar. 20, 2018], Available from Internet, URL: <http://www.emerson.com/en-us/catalog/automation-solutions/measurement-instrumentation/flow/rosemount-8732e> (Year: 2018).*

Primary Examiner — Garth Rademaker
Assistant Examiner — Fritzgerald L Butac
(74) *Attorney, Agent, or Firm* — Stetina Brunda Garred and Brucker; Mark B. Garred

(57) **CLAIM**

The ornamental design for a flowmeter, as shown and described.

DESCRIPTION

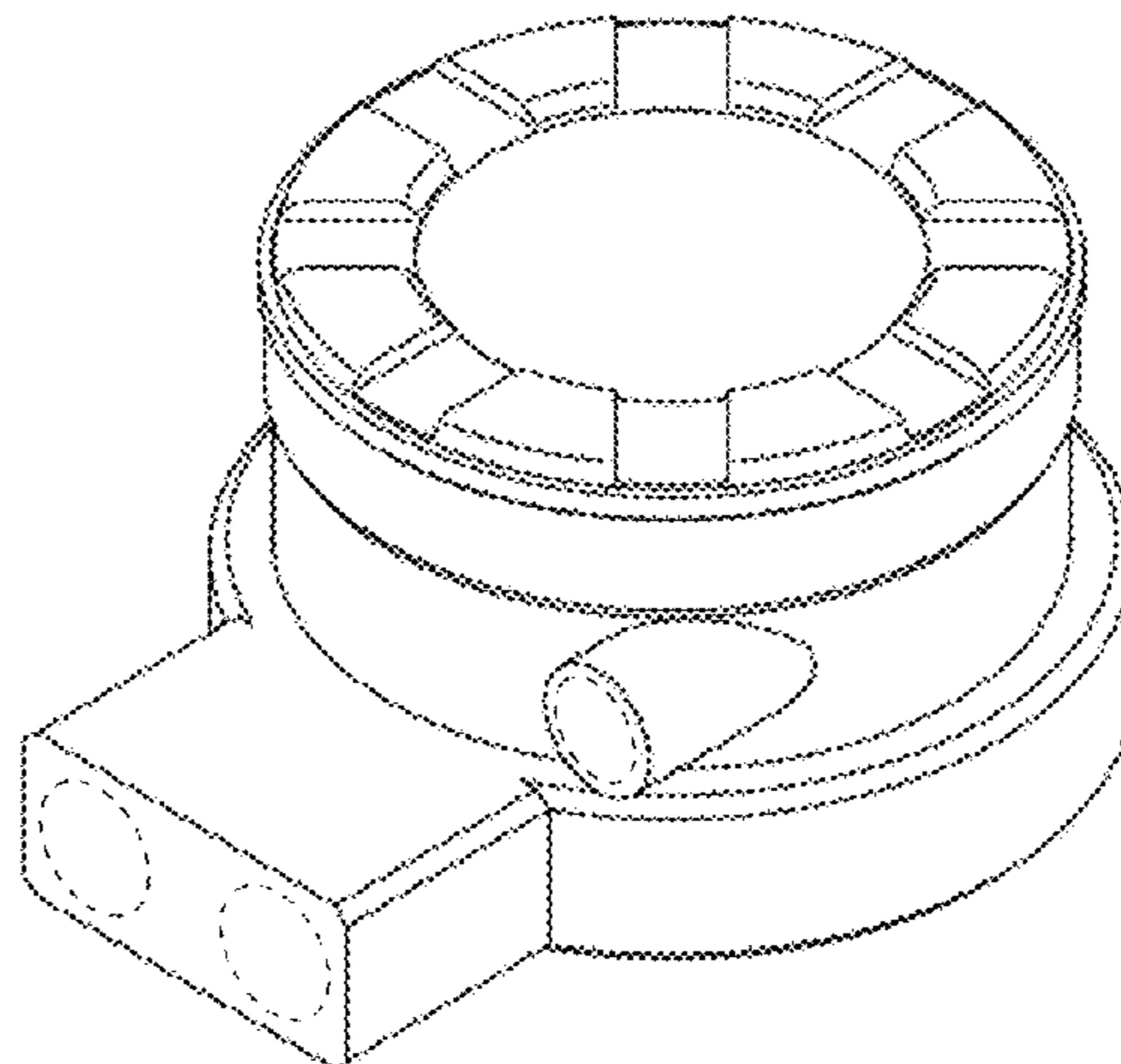
FIG. 1 is a front elevational view of the flowmeter of the present invention showing our new design; FIG. 2 is a rear elevational view thereof; FIG. 3 is a right side elevational view thereof; FIG. 4 is a left side elevational view thereof; FIG. 5 is a top plan view thereof; FIG. 6 is a bottom plan view thereof; FIG. 7 is a bottom, front perspective view thereof; and, FIG. 8 is a top, rear perspective view thereof. The broken lines show portions of a flowmeter that from no part of the claimed design.

1 Claim, 4 Drawing Sheets

(56) **References Cited**

U.S. PATENT DOCUMENTS

- D317,266 S * 6/1991 Broden D10/46
- D318,432 S * 7/1991 Broden D10/46
- D341,095 S * 11/1993 Alden D10/46
- D344,031 S * 2/1994 Frick D10/96
- D349,252 S * 8/1994 Hurd D10/96
- D349,862 S * 8/1994 Hausler D10/96
- D350,491 S * 9/1994 Hausler D10/96
- D362,712 S * 9/1995 Lee D23/235
- D379,845 S * 6/1997 Lee D23/235
- D410,529 S * 6/1999 Taylor D23/233
- D465,427 S * 11/2002 Wilda D10/85



(56)

References Cited

U.S. PATENT DOCUMENTS

D612,277 S * 3/2010 Cain D10/85
 D613,195 S * 4/2010 Kabaya D10/96
 D628,106 S * 11/2010 Kabaya D10/96
 D633,986 S * 3/2011 Ito D23/233
 8,145,180 B2 * 3/2012 Brown G05B 19/4185
 455/343.1
 8,626,087 B2 * 1/2014 Vanderaa H05K 7/1462
 455/41.2
 D699,608 S * 2/2014 Nemer D10/81
 8,694,060 B2 * 4/2014 Vanderaa G08C 17/04
 343/702
 D704,081 S * 5/2014 Haener D10/85
 D711,267 S * 8/2014 Tsuda D10/96
 D712,765 S * 9/2014 Kulkarni D10/96
 D715,663 S * 10/2014 Sum D10/101
 D741,734 S * 10/2015 Tomita D10/85
 D747,988 S * 1/2016 Matsumiya D10/102
 D752,461 S * 3/2016 Oshima D10/85
 9,402,781 B2 * 8/2016 Ritter, III A61H 31/005
 D784,834 S * 4/2017 John D10/99
 D790,379 S * 6/2017 Matsumiya D10/85
 D793,259 S * 8/2017 Furer D10/83
 D798,756 S * 10/2017 Nguyen D10/99
 D799,031 S * 10/2017 Barrett D24/129
 D803,082 S * 11/2017 Banschbach D10/85
 D809,950 S * 2/2018 Tabata D10/96
 D811,252 S * 2/2018 Boyer D10/85
 D811,254 S * 2/2018 Lee D10/101

* cited by examiner

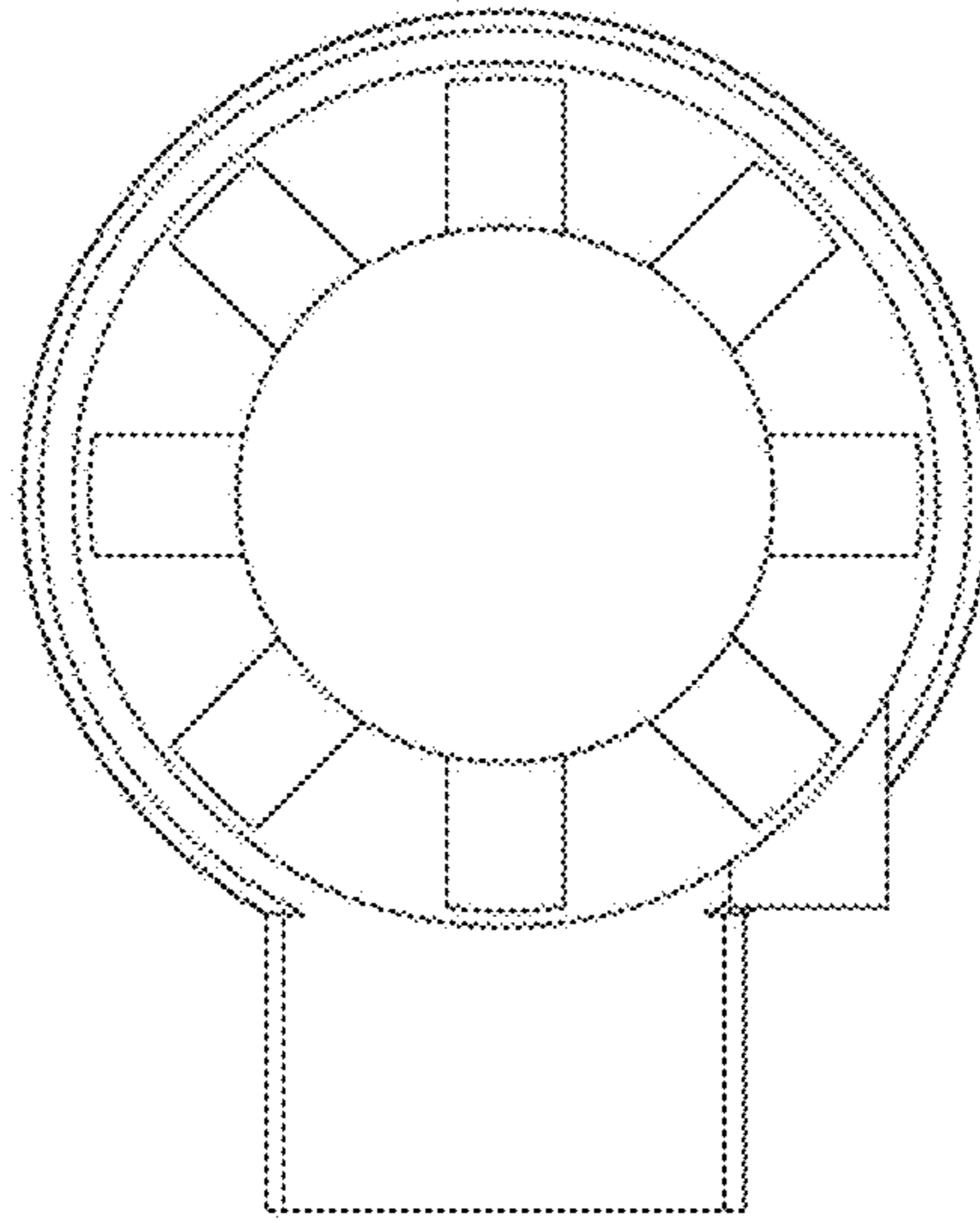


FIGURE 1

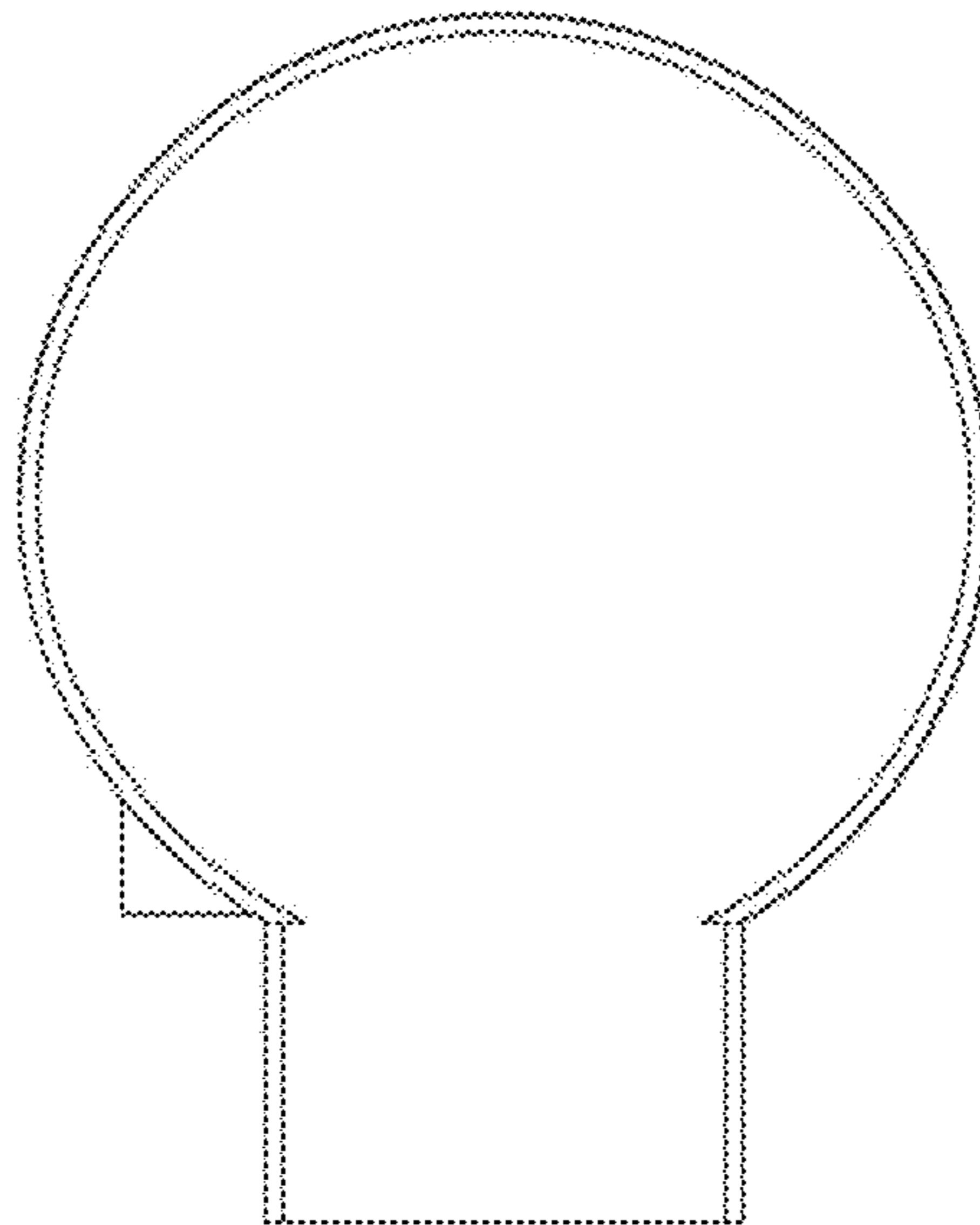


FIGURE 2

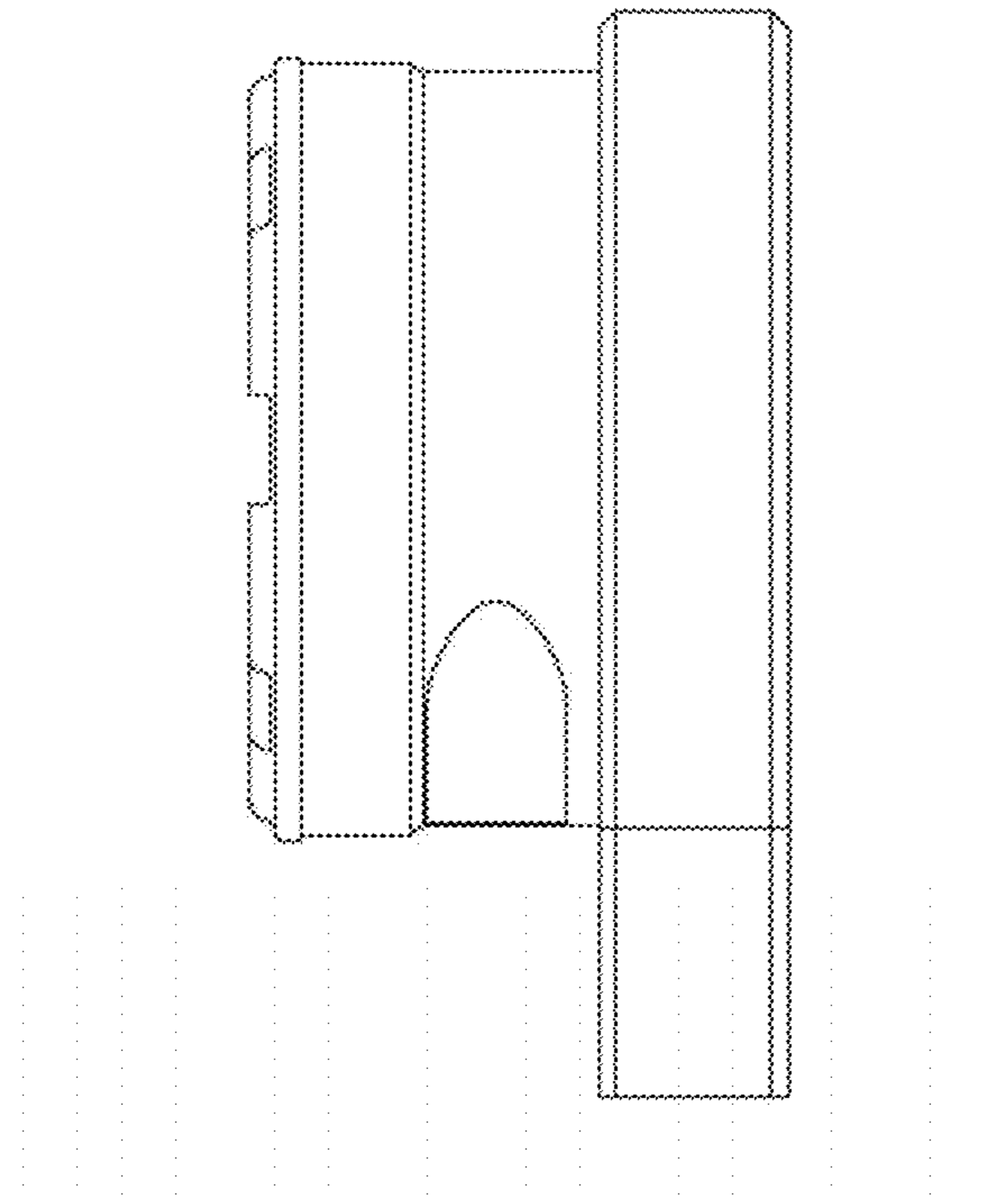


FIGURE 3

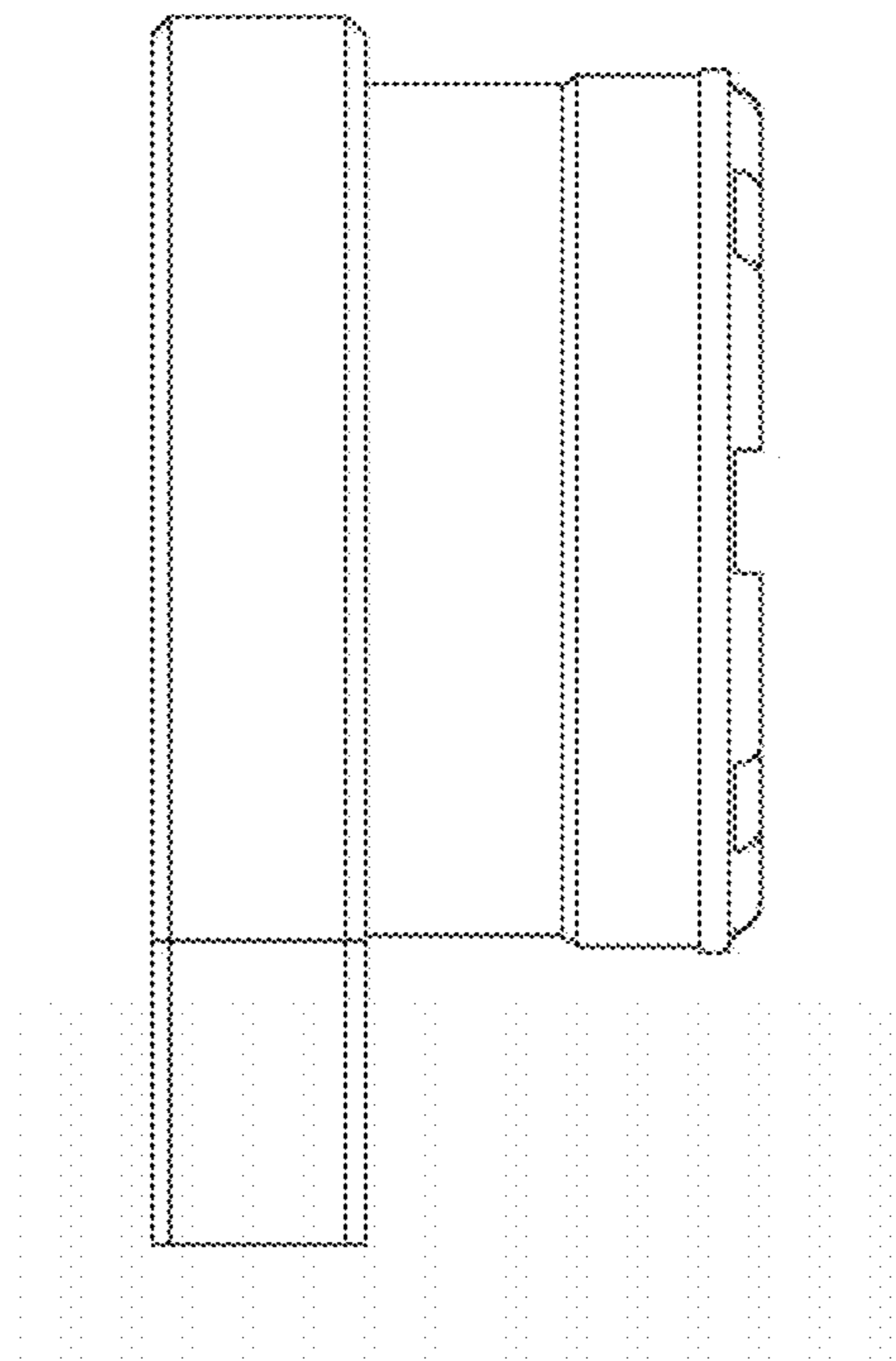


FIGURE 4

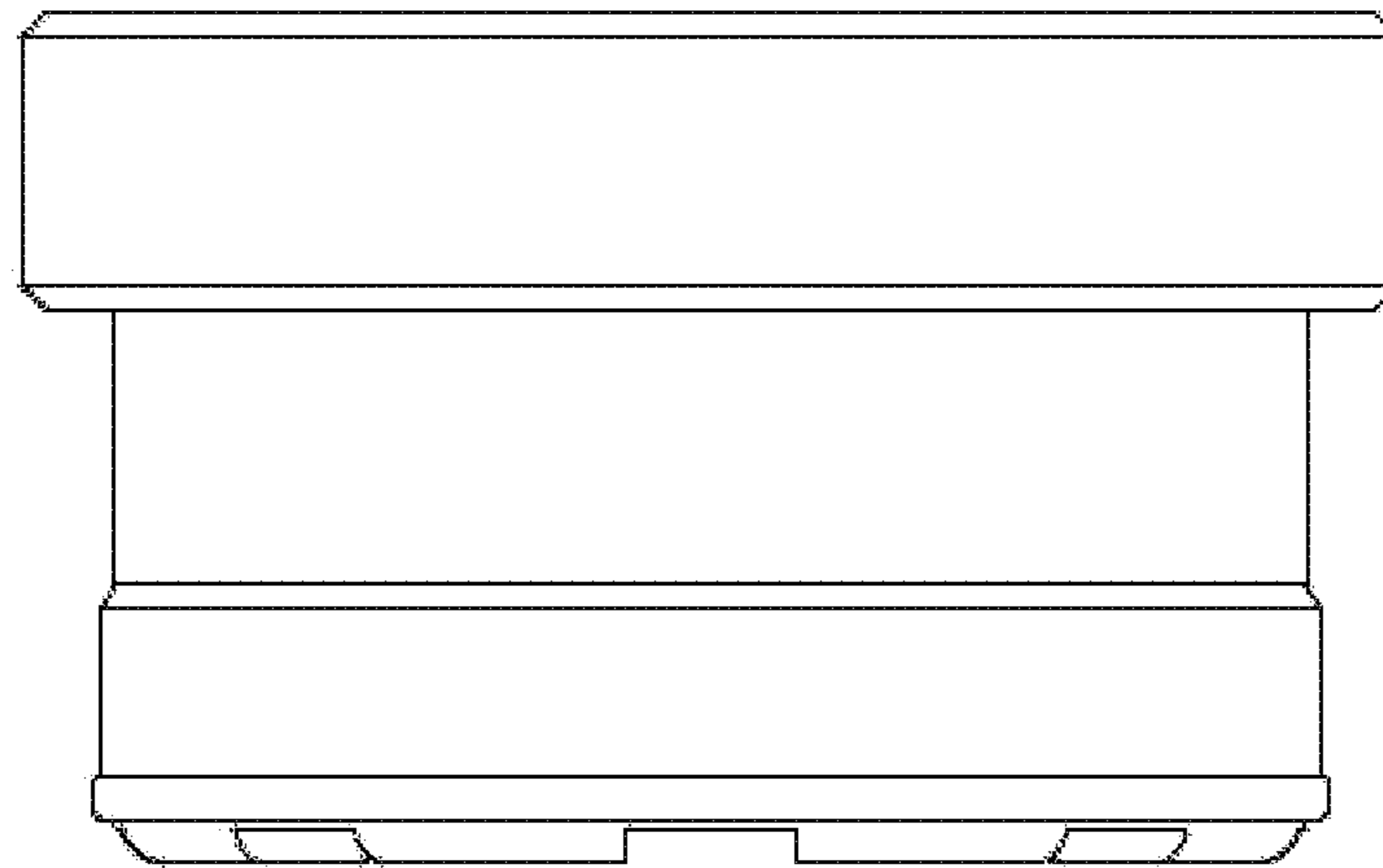


FIGURE 5

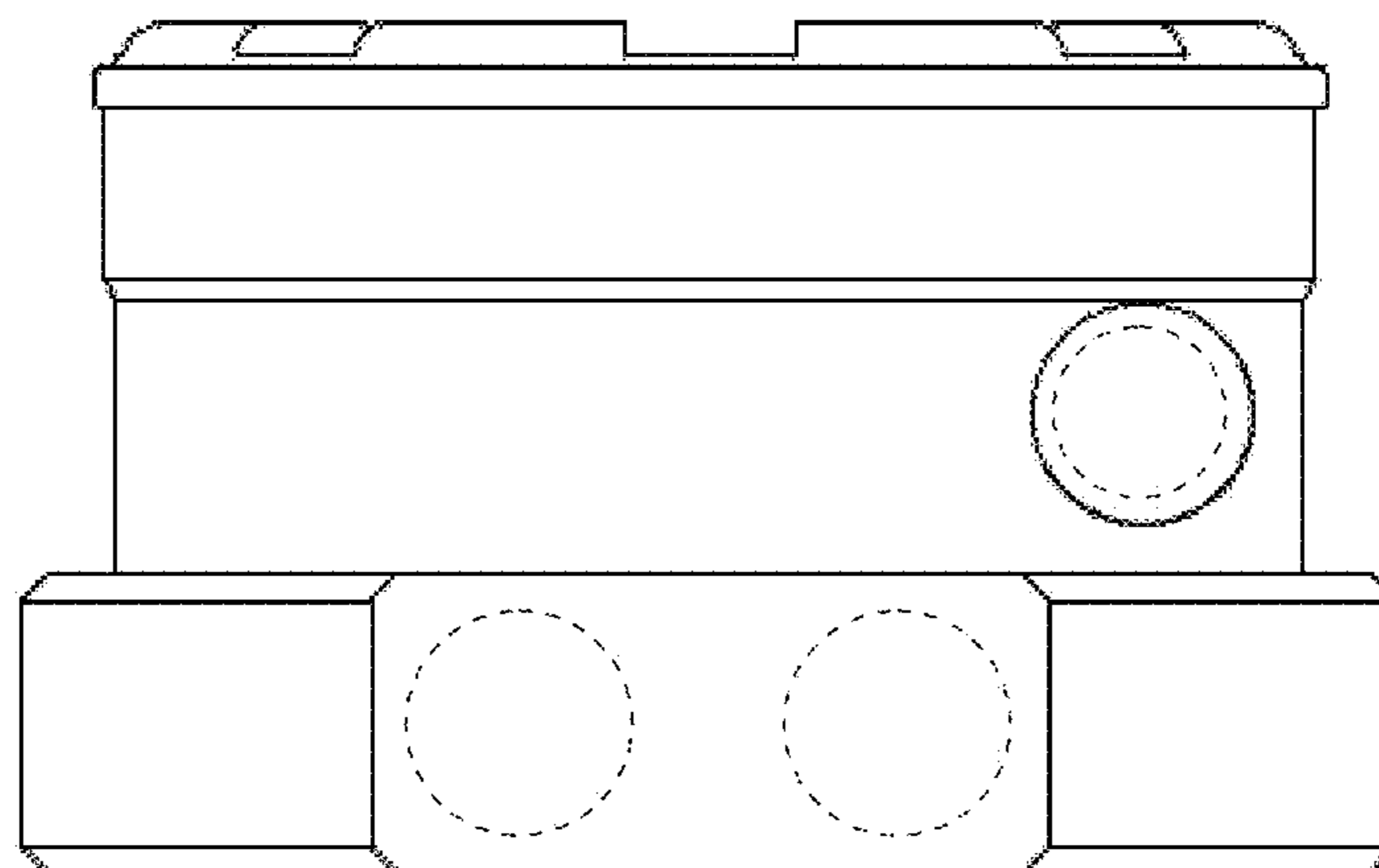


FIGURE 6

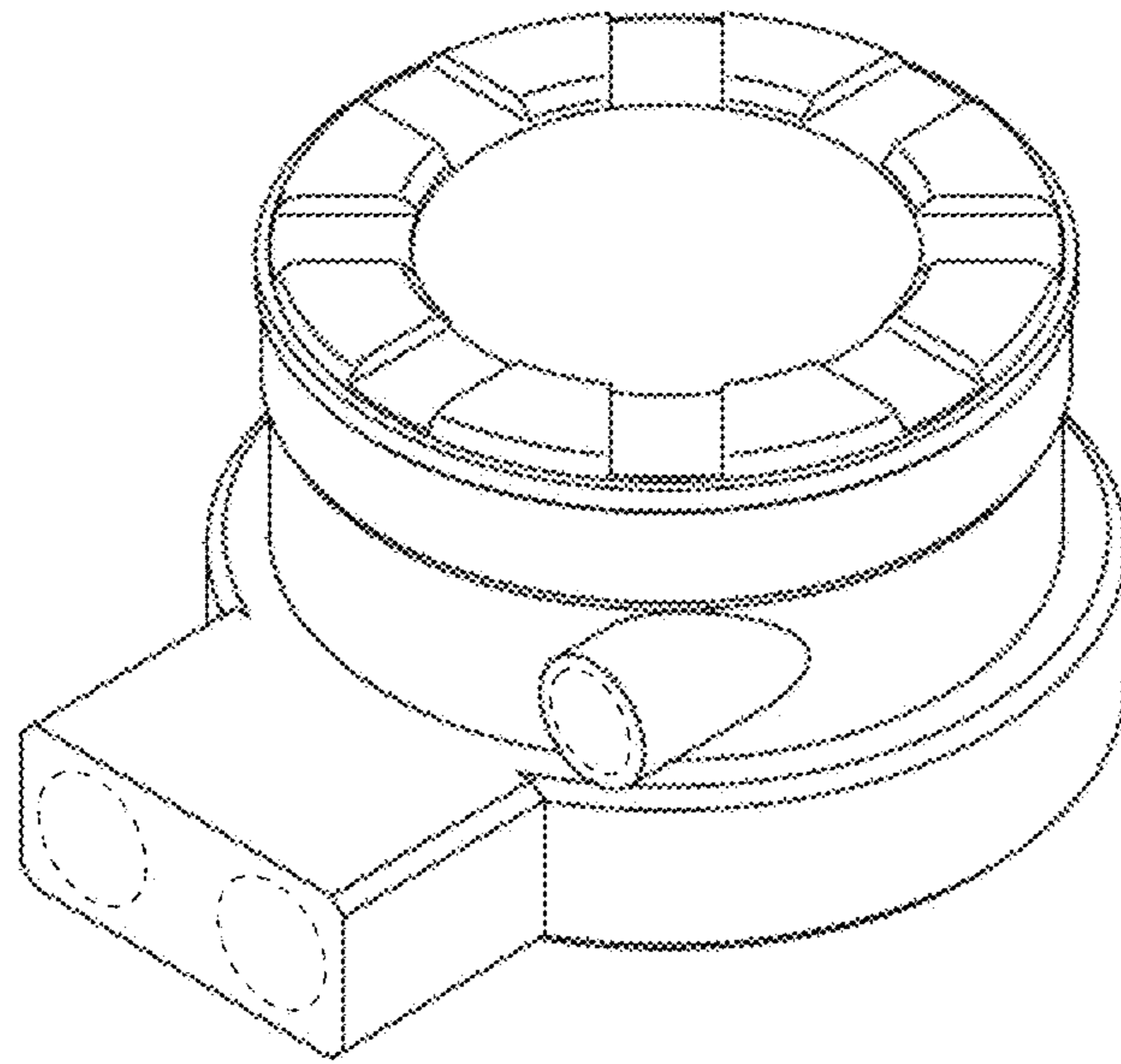


FIGURE 7

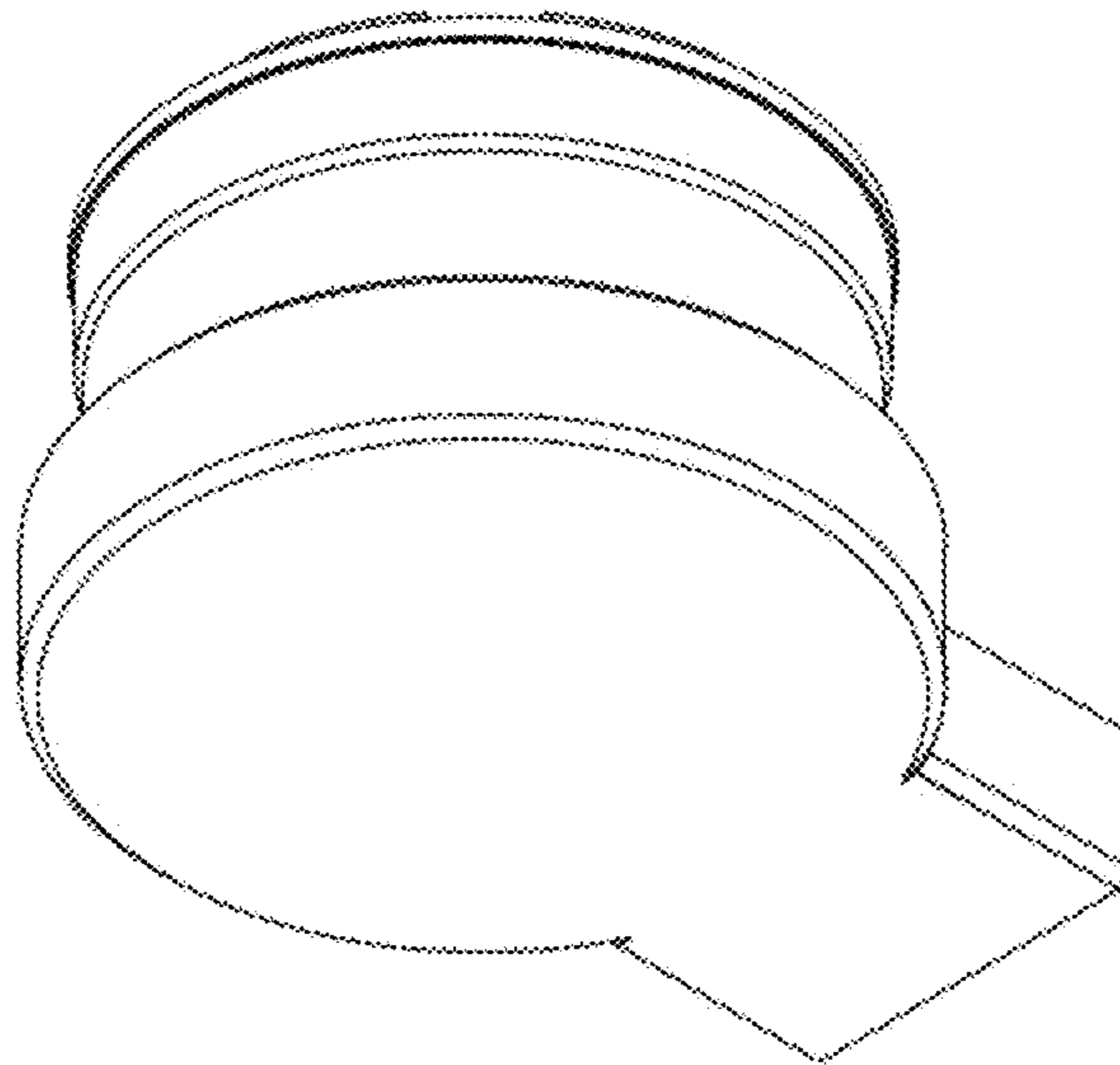


FIGURE 8