



US00D829118S

(12) **United States Design Patent** (10) **Patent No.:** **US D829,118 S**
Patch (45) **Date of Patent:** **** Sep. 25, 2018**

(54) **PRESSURE SENSOR**

(71) Applicant: **Honeywell International Inc.**, Morris Plains, NJ (US)

(72) Inventor: **Jason Dennis Patch**, Columbus, OH (US)

(73) Assignee: **Honeywell International Inc.**, Morris Plains, NJ (US)

(**) Term: **15 Years**

(21) Appl. No.: **29/590,696**

(22) Filed: **Jan. 12, 2017**

(51) **LOC (11) Cl.** **10-04**

(52) **U.S. Cl.**
USPC **D10/85**

(58) **Field of Classification Search**
USPC D10/83-85
CPC . G01L 19/00; G01L 19/0007; G01L 19/0015;

G01L 19/0023; G01L 19/003; G01L 19/0038; G01L 19/0046; G01L 2019/0053; G01L 19/0061; G01L 19/0069; G01L 19/0076; G01L 19/0084; G01L 19/0092; G01L 19/02; G01L 19/04; G01L 19/06; G01L 19/0609; G01L 19/0618; G01L 19/0627; G01L 19/0636; G01L 19/0645; G01L 19/0654; G01L 19/0663; G01L 19/0672; G01L 19/0681; G01L 19/069; G01L 19/08; G01L 19/083; G01L 19/086; G01L 19/10; G01L 19/12; G01L 19/14; G01L 19/141; G01L 19/142; G01L 19/143; G01L 19/144; G01L 19/145; G01L 19/146; G01L 19/147; G01L 19/148; G01L 19/149; G01L 19/16; G01L 23/00; G01L 23/02; G01L 23/04; G01L 23/06; G01L 23/08; G01L 23/085; G01L 23/10; G01L 23/12; G01L 23/125; G01L 23/14; G01L 23/145; G01L 23/16; G01L 23/18; G01L 23/20; G01L 23/22; G01L 23/221; G01L 23/222; G01L 23/223; G01L 23/225; G01L 23/226;

G01L 23/227; G01L 2023/228; G01L 23/24; G01L 23/26; G01L 23/28; G01L 23/30; G01L 23/32; G01L 9/00; G01L 9/0001; G01L 9/0002; G01L 9/0004; G01L 9/0005; G01L 9/0007; G01L 9/0008; G01L 9/001; G01L 9/0011; G01L 9/0013; G01L 9/0014; G01L 9/0016; G01L 9/0017; G01L 9/0019; G01L 9/002; G01L 9/0022; G01L 9/0023; G01L 9/0025; G01L 9/0026; G01L 9/0027; G01L 9/0029; G01L 9/003; G01L 9/0032; G01L 9/0033; G01L 9/0035;
(Continued)

(56) **References Cited**

U.S. PATENT DOCUMENTS

5,763,787 A * 6/1998 Gravel G01D 11/24
137/487.5
D692,789 S * 11/2013 Tsutaya D10/85

* cited by examiner

Primary Examiner — Antoine D Davis

(74) *Attorney, Agent, or Firm* — Honeywell International Inc.

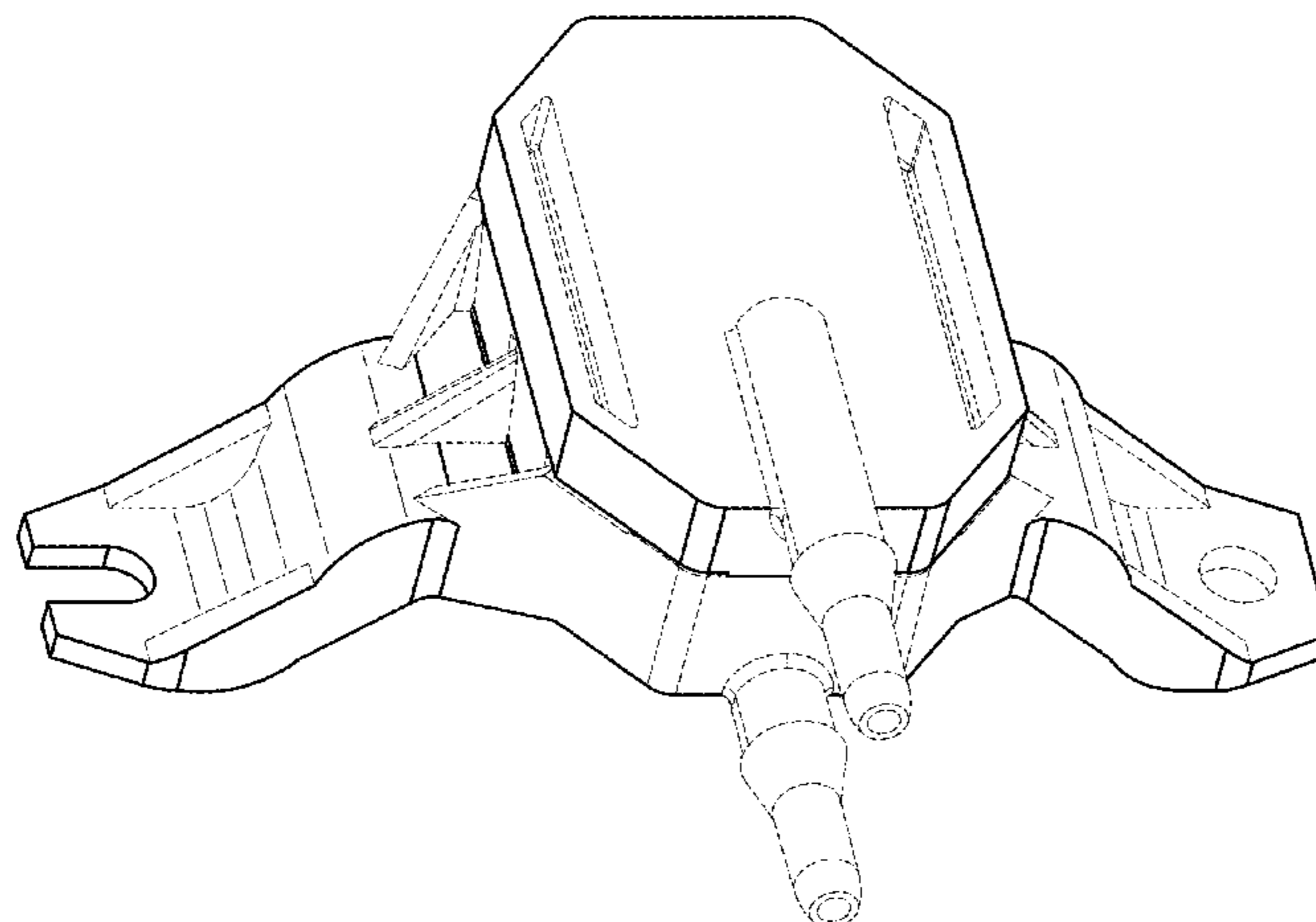
(57) **CLAIM**

The ornamental design for a pressure sensor, as shown and described.

DESCRIPTION

FIG. 1 is a front perspective view of a pressure sensor in accordance with the new design.
FIG. 2 is bottom perspective view thereof.
FIG. 3 is a front elevation view thereof.
FIG. 4 is a rear elevation view thereof.
FIG. 5 is a side elevation view thereof.
FIG. 6 is a side elevation view thereof, showing the side opposing that shown in FIG. 5.
FIG. 7 is a top elevation view thereof; and,
FIG. 8 is bottom elevation view thereof.

(Continued)



The broken lines shown in the drawings are only provided to illustrate the environment of the design and form no part of the claimed design.

1 Claim, 7 Drawing Sheets

(58) Field of Classification Search

CPC .. G01L 9/0036; G01L 9/0038; G01L 9/0039;
G01L 9/0041; G01L 9/0042; G01L
9/0044; G01L 9/0045; G01L 9/0047;
G01L 9/0048; G01L 9/005; G01L 9/0051;
G01L 9/0052; G01L 9/0054; G01L
9/0055; G01L 9/0057; G01L 9/0058;
G01L 9/006; G01L 9/0061; G01L
2009/0063; G01L 9/0064; G01L
2009/0066; G01L 2009/0067; G01L
2009/0069; G01L 9/007; G01L 9/0072;
G01L 9/0073; G01L 9/0075; G01L
9/0076; G01L 9/0077; G01L 9/0079;
G01L 9/008; G01L 9/0082; G01L 9/0083;
G01L 9/0085; G01L 9/0086; G01L
9/0088; G01L 9/0089; G01L 9/0091;

G01L 9/0092; G01L 9/0094; G01L
9/0097; G01L 9/0095; G01L 9/0098;
G01L 9/02; G01L 9/025; G01L 9/04;
G01L 9/045; G01L 9/06; G01L 9/065;
G01L 9/08; G01L 9/085; G01L 9/10;
G01L 9/105; G01L 9/12; G01L 9/125;
G01L 9/14; G01L 9/16; G01L 9/18;
G01L 7/00; G01L 7/02; G01L 7/022;
G01L 7/024; G01L 7/026; G01L 7/028;
G01L 7/04; G01L 7/041; G01L 7/043;
G01L 7/045; G01L 7/046; G01L 7/048;
G01L 7/06; G01L 7/061; G01L 7/063;
G01L 7/065; G01L 7/066; G01L 7/068;
G01L 7/08; G01L 7/082; G01L 7/084;
G01L 7/086; G01L 7/088; G01L 7/10;
G01L 7/102; G01L 7/104; G01L 7/106;
G01L 7/108; G01L 7/12; G01L 7/14;
G01L 7/16; G01L 7/163; G01L 7/166;
G01L 7/18; G01L 7/182; G01L 7/185;
G01L 7/187; G01L 7/20; G01L 7/22;
G01L 7/24; G01L 27/00; G01L 27/002;
G01L 27/005; G01L 27/007; G01L 27/02

See application file for complete search history.

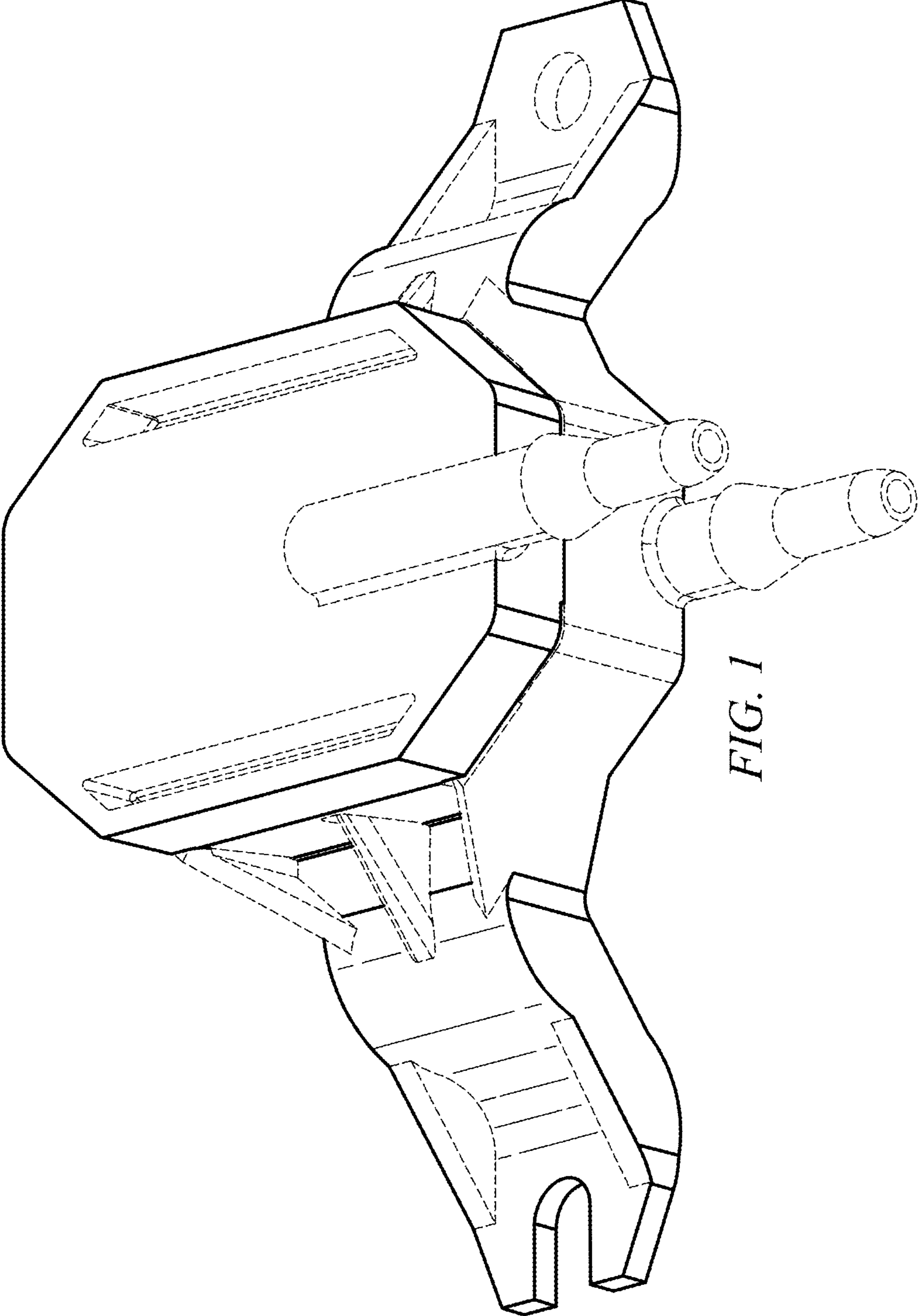


FIG. 1

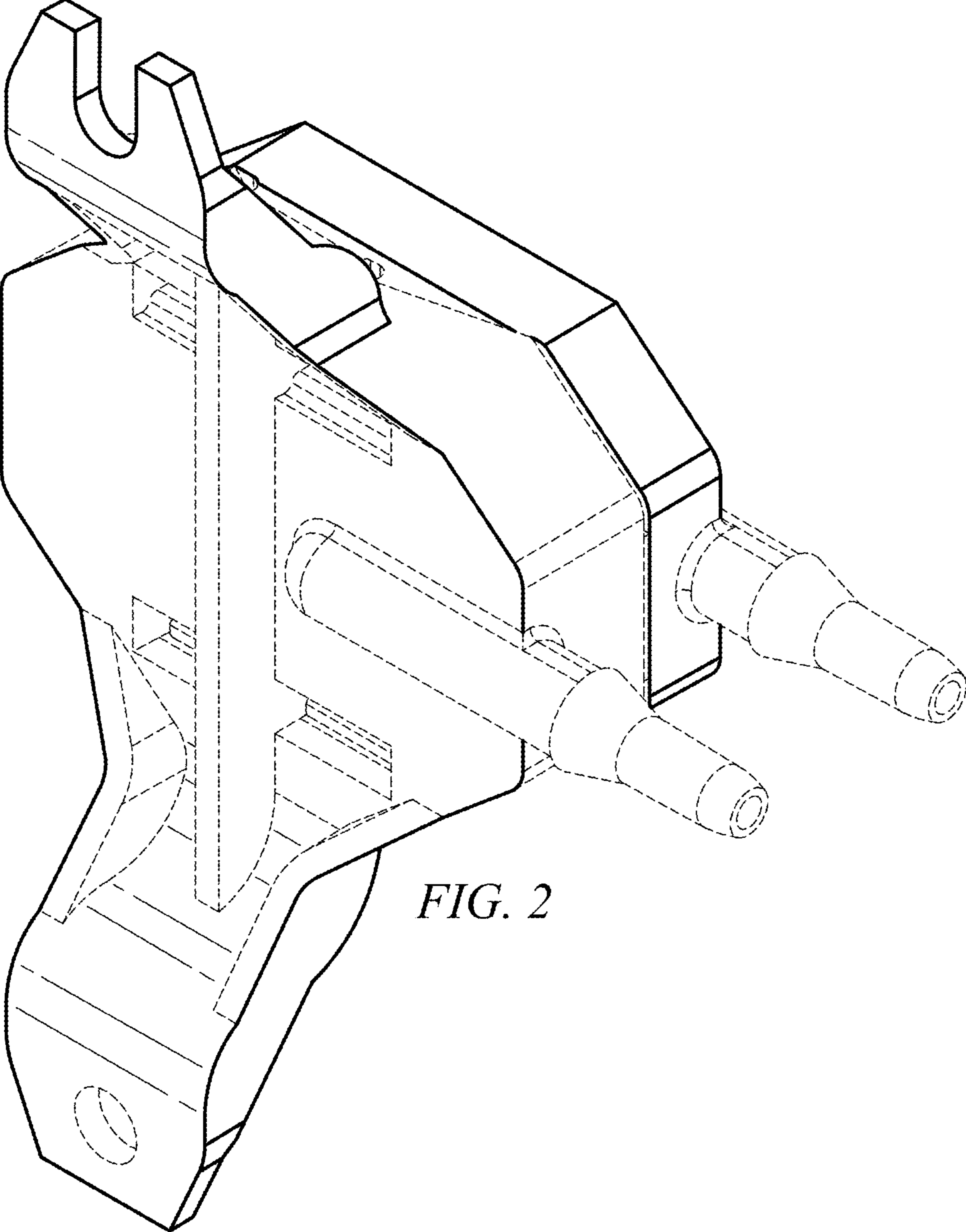
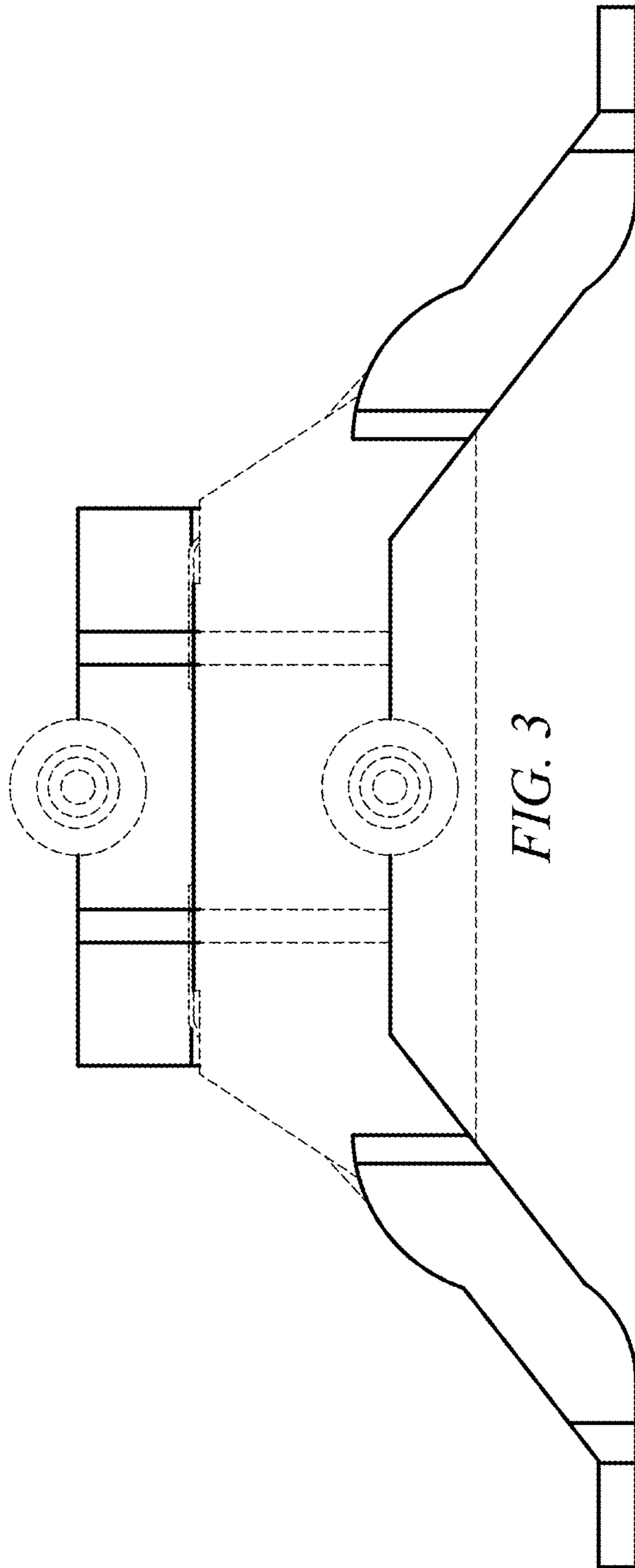
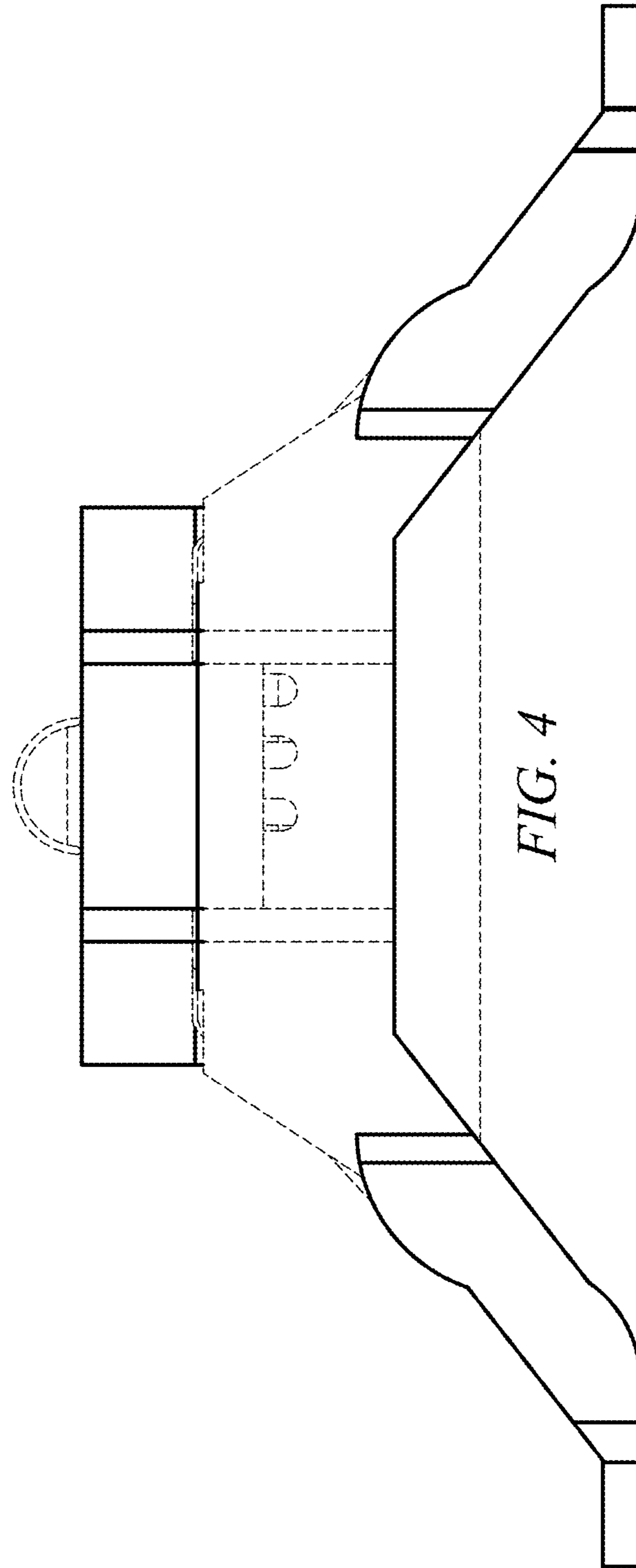
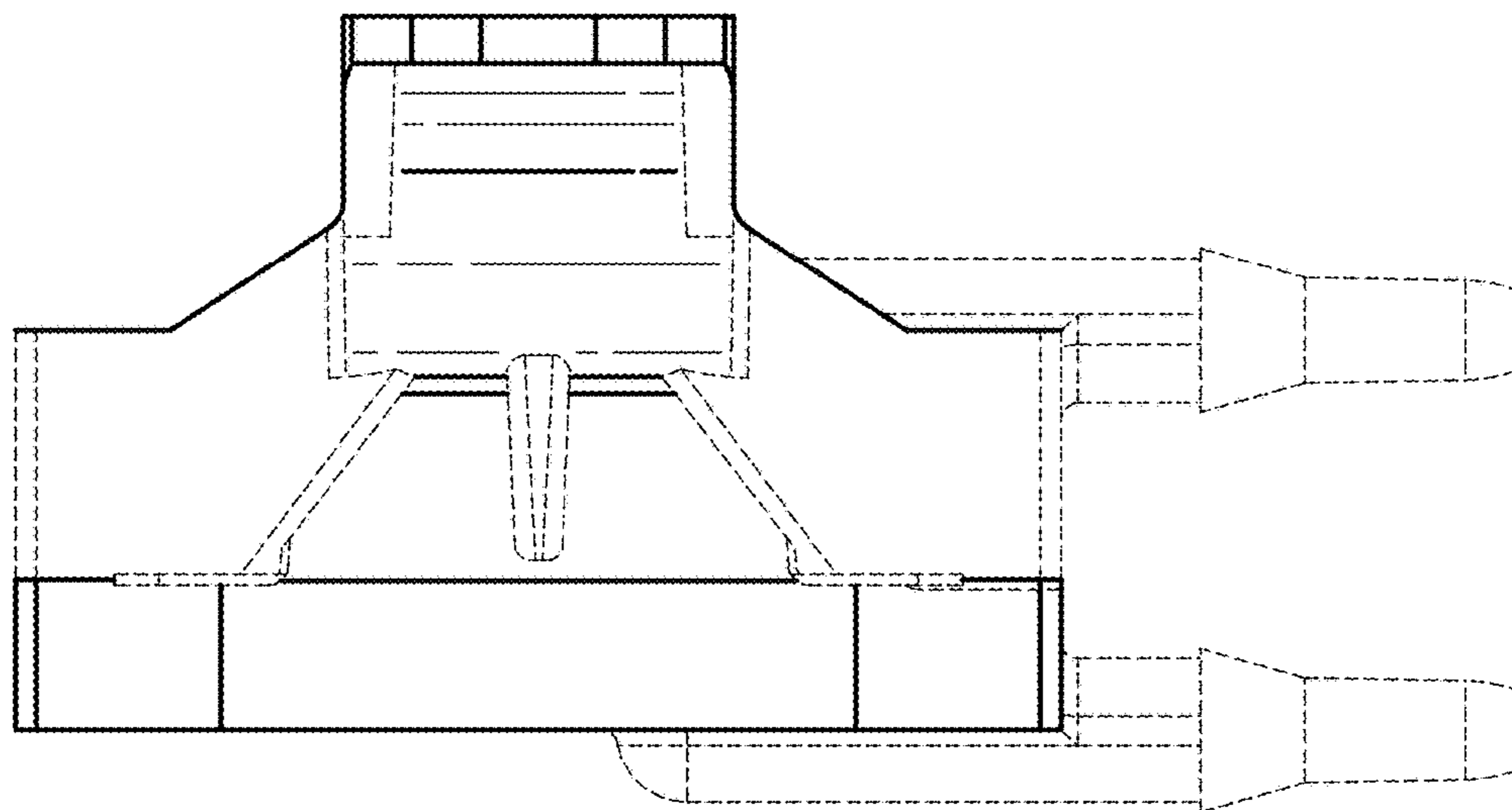
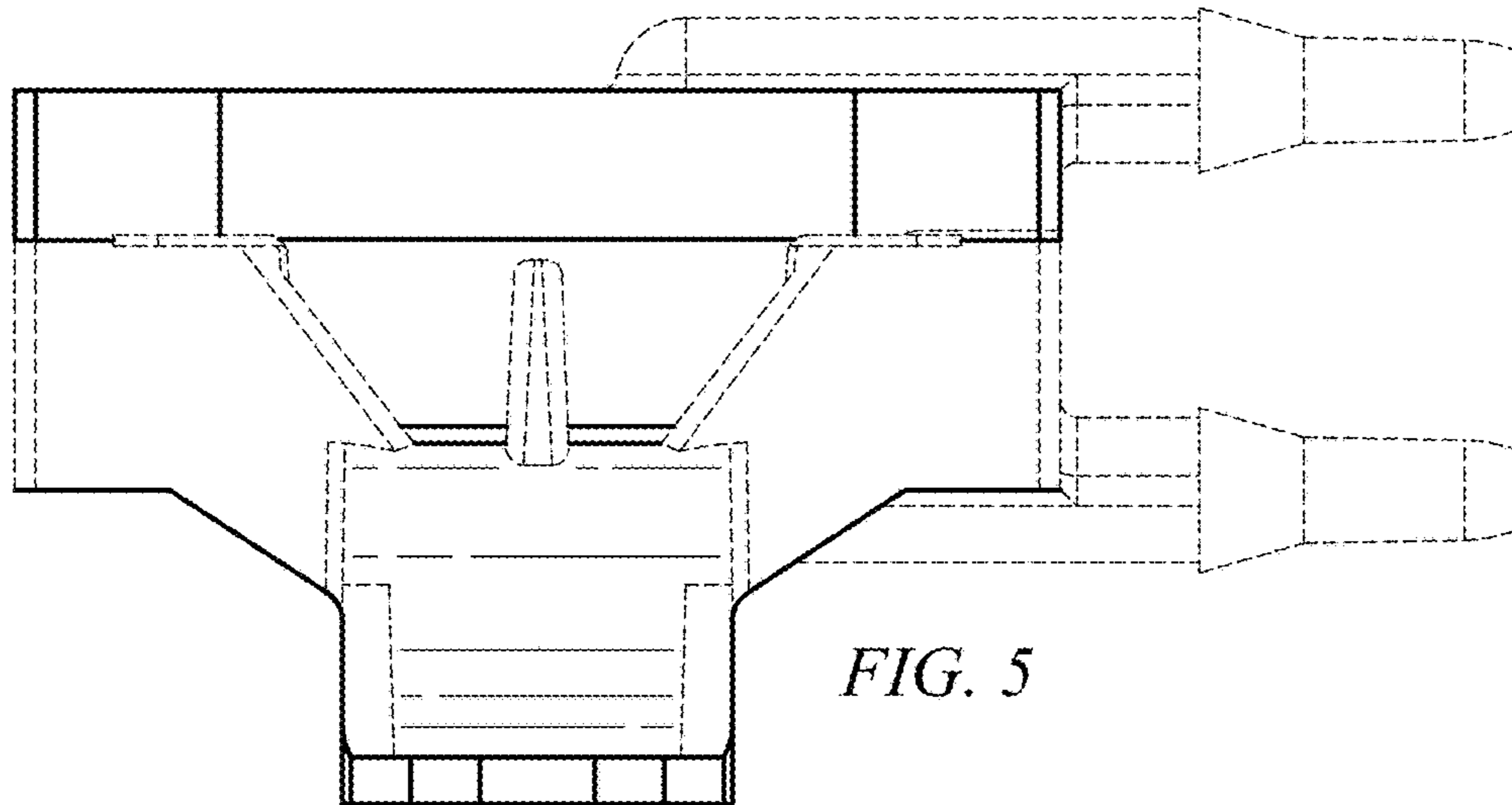


FIG. 2







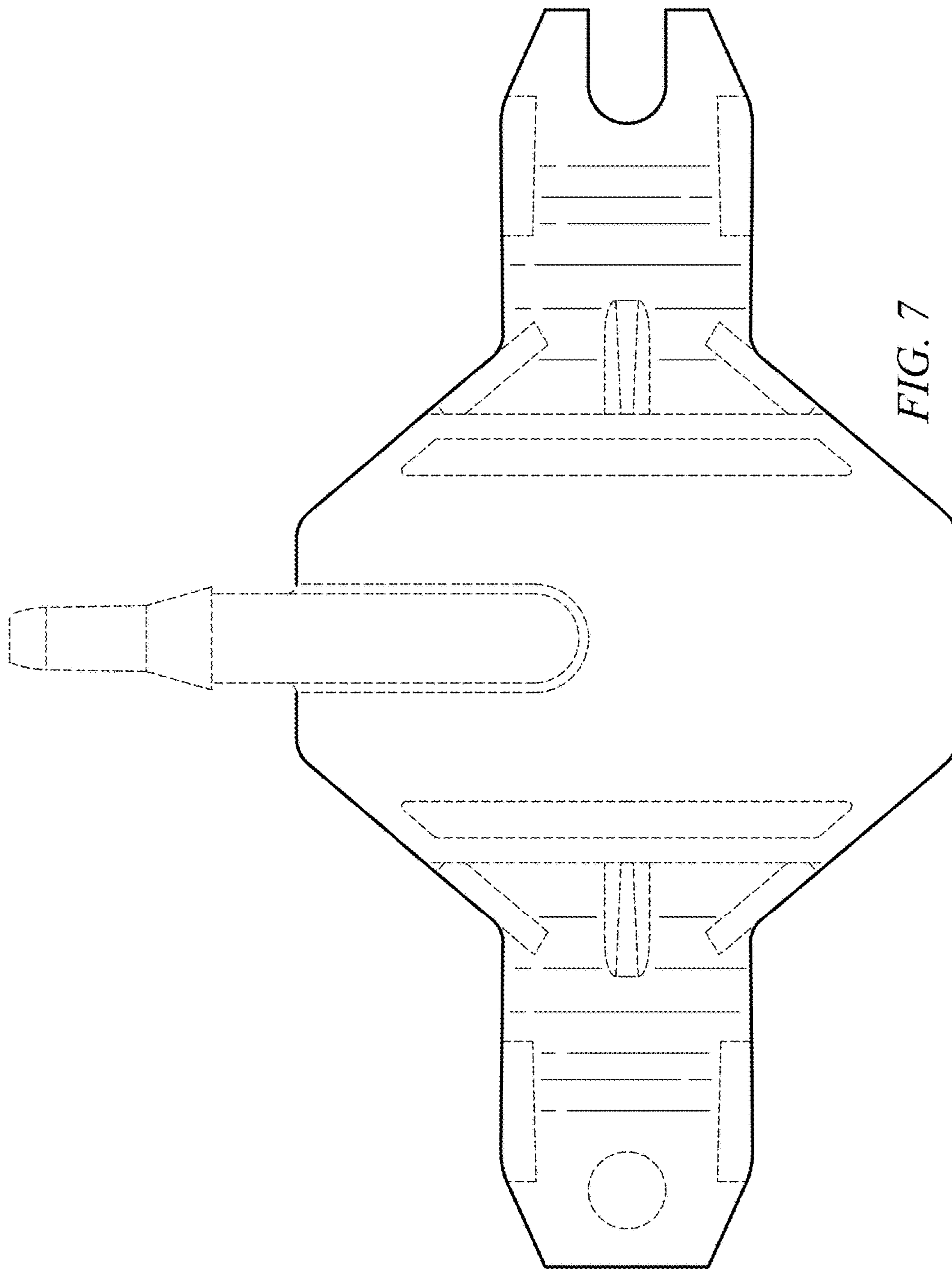


FIG. 7

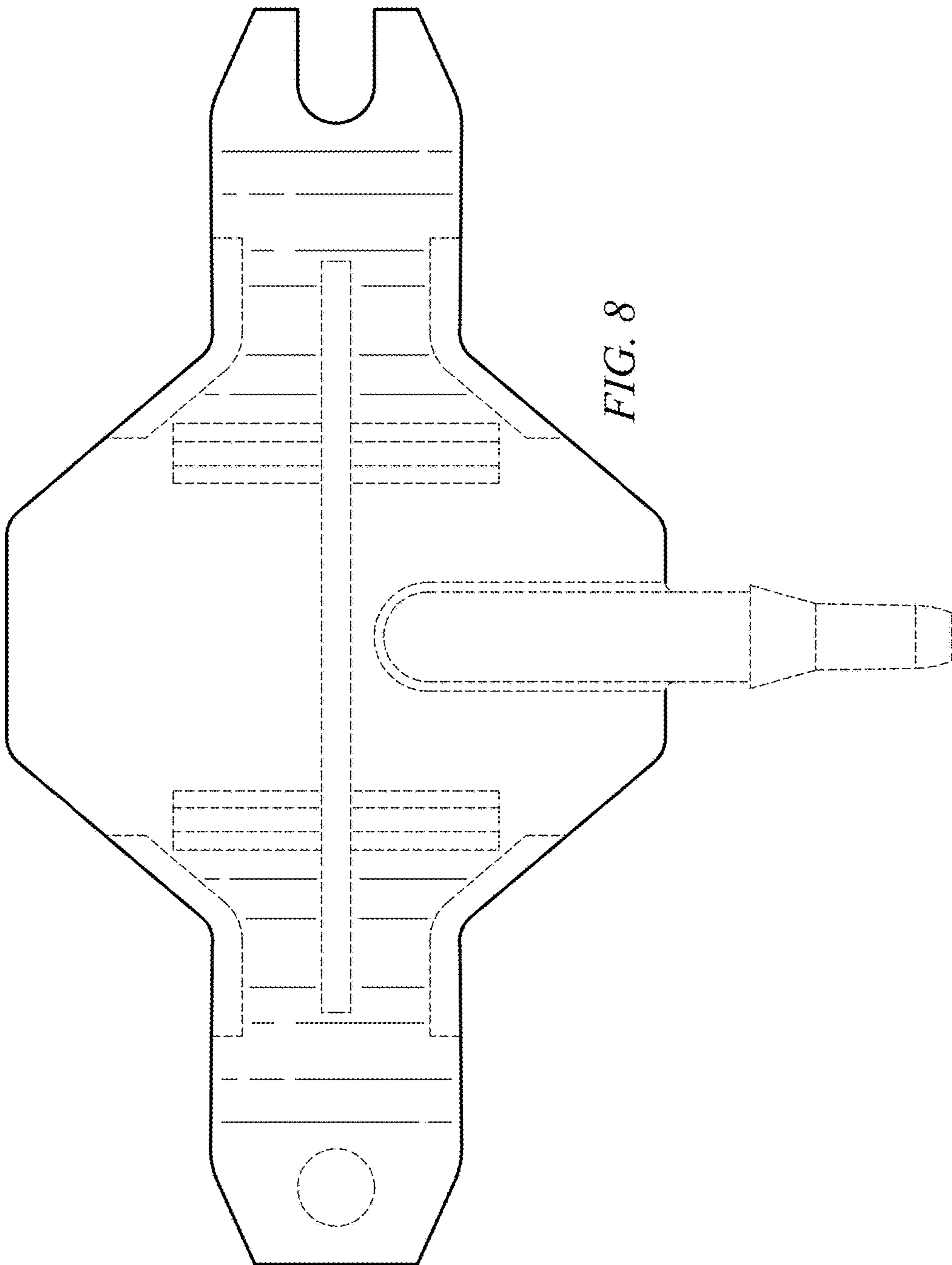


FIG. 8