



US00D829115S

(12) **United States Design Patent** (10) **Patent No.:** **US D829,115 S**  
**Hirose et al.** (45) **Date of Patent:** **\*\* Sep. 25, 2018**

(54) **SPECTROMETER**

(56) **References Cited**

(71) Applicant: **HAMAMATSU PHOTONICS K.K.**,  
Shizuoka (JP)

U.S. PATENT DOCUMENTS

(72) Inventors: **Masaki Hirose**, Hamamatsu (JP);  
**Katsumi Shibayama**, Hamamatsu (JP);  
**Takashi Kasahara**, Hamamatsu (JP);  
**Toshimitsu Kawai**, Hamamatsu (JP);  
**Hiroki Oyama**, Hamamatsu (JP); **Yumi Teramachi**, Hamamatsu (JP); **Takafumi Yokino**, Hamamatsu (JP); **Katsuhiko Kato**, Hamamatsu (JP)

D603,280	S	*	11/2009	Shibayama	.....	D10/81
D603,729	S	*	11/2009	Shibayama	.....	D10/81
D603,730	S	*	11/2009	Shibayama	.....	D10/81
D603,731	S	*	11/2009	Shibayama	.....	D10/81
D730,217	S	*	5/2015	Yokino	.....	D10/81
D733,599	S	*	7/2015	Yokino	.....	D10/81
D744,878	S	*	12/2015	Yokino	.....	D10/46

\* cited by examiner

*Primary Examiner* — George D Kirschbaum

(\*\*) Term: **15 Years**

(57) **CLAIM**

(21) Appl. No.: **35/503,162**

The ornamental design for a spectrometer, as shown and described.

(22) Filed: **Dec. 13, 2016**

**DESCRIPTION**

(80) **Hague Agreement Data**

Int. Filing Date: **Dec. 13, 2016**

Int. Reg. No.: **DM/093932**

Int. Reg. Date: **Dec. 13, 2016**

Int. Reg. Pub. Date: **Jun. 16, 2017**

- 1. Spectrometer
- 1.1 : Perspective
- 1.2 : Front
- 1.3 : Back
- 1.4 : Top
- 1.5 : Bottom
- 1.6 : Left
- 1.7 : Right
- 1.8 : Partial enlarged cross-sectional view
- 1.9 : Partial enlarged front view
- 1.10 : Partial enlarged perspective view

(30) **Foreign Application Priority Data**

Jun. 14, 2016 (JP) ..... 2016-012718

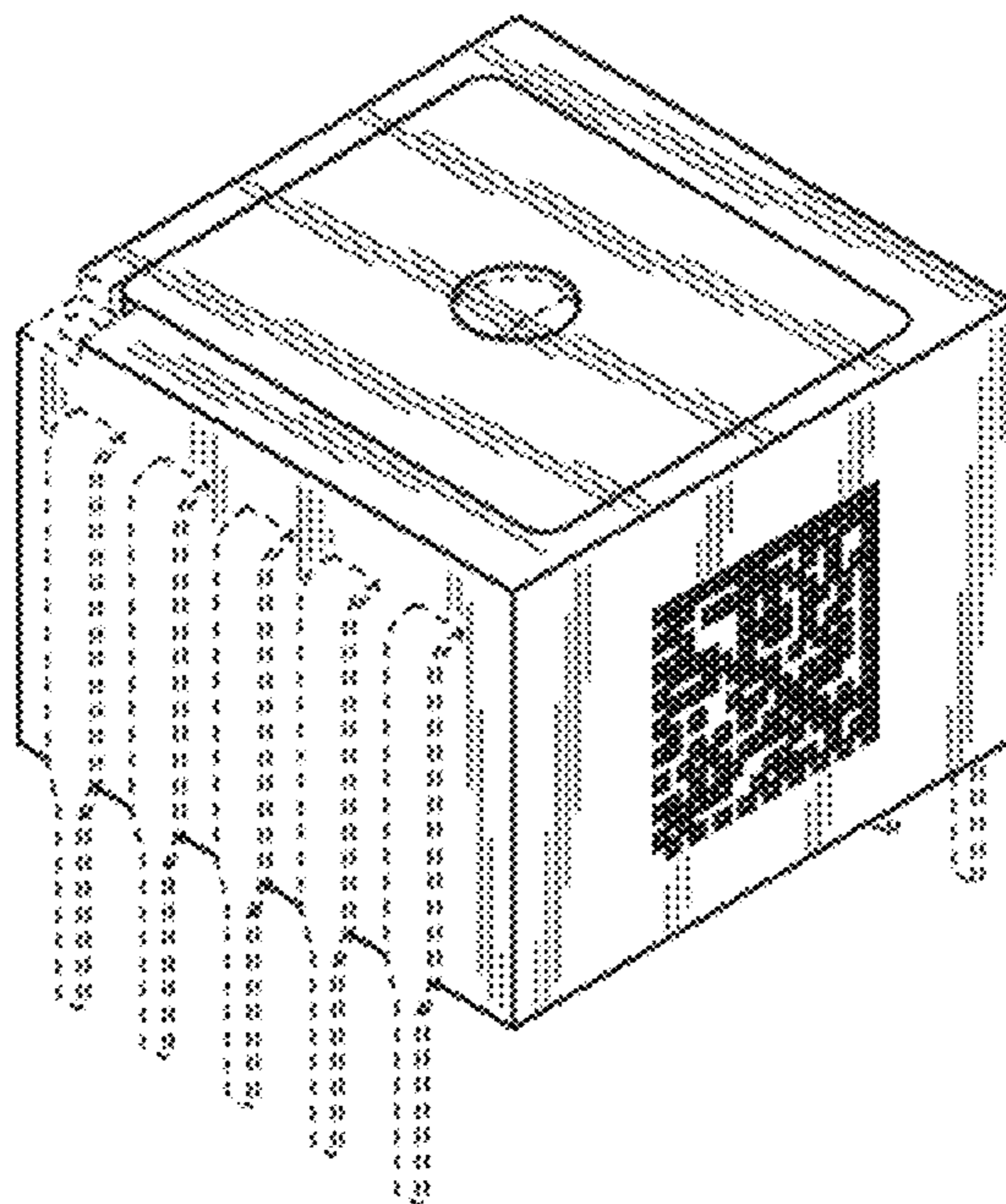
(51) **LOC (11) Cl.** ..... **10-04**

(52) **U.S. Cl.**  
USPC ..... **D10/81**

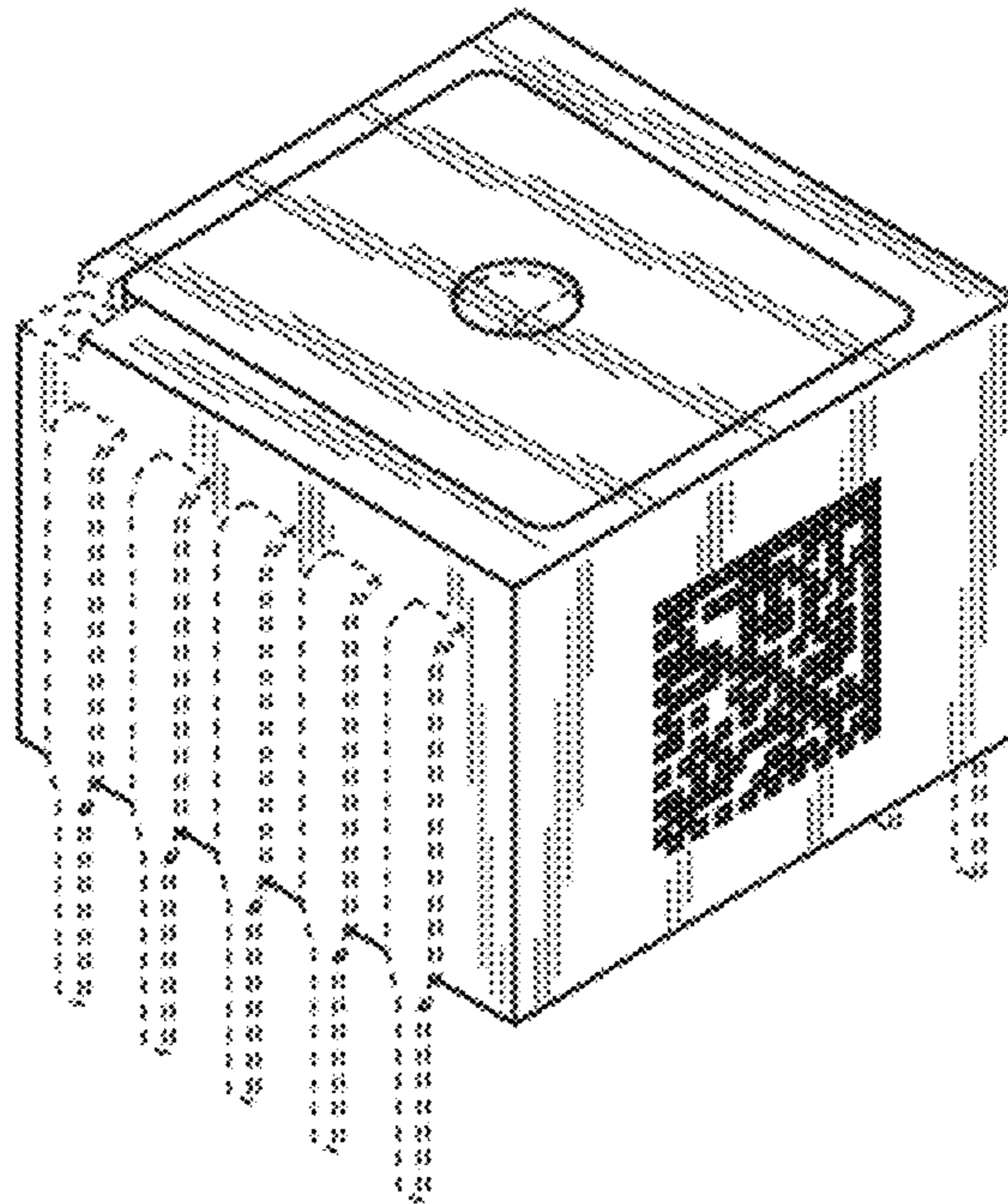
(58) **Field of Classification Search**  
USPC ..... D10/81, 47; D13/158, 159, 160  
See application file for complete search history.

The broken line showing is included for the purpose of illustrating portions of the “article” and forms no part of the claimed design. The dash-dot-dash lines represent the boundary of the claimed design.

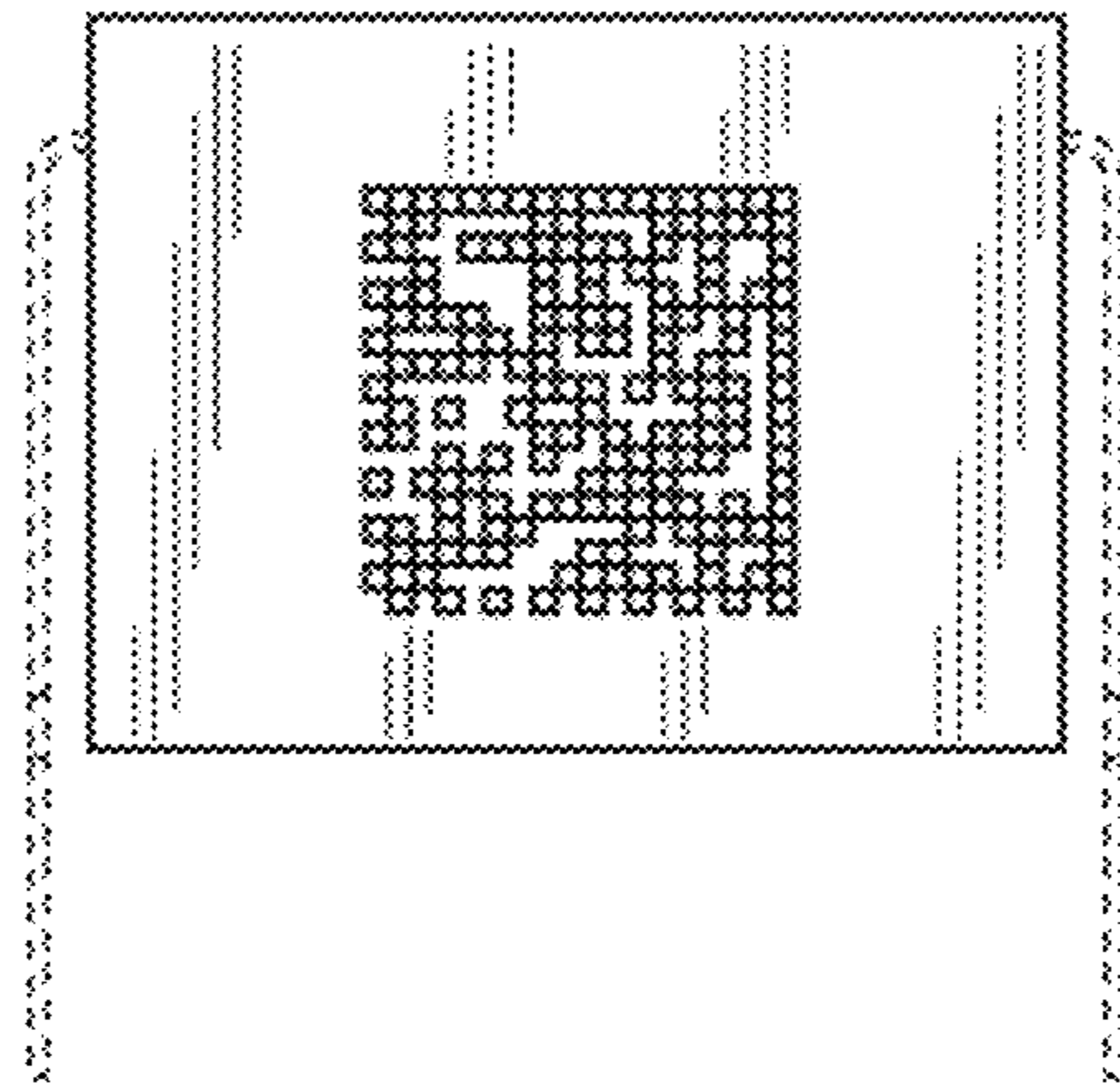
**1 Claim, 10 Drawing Sheets**



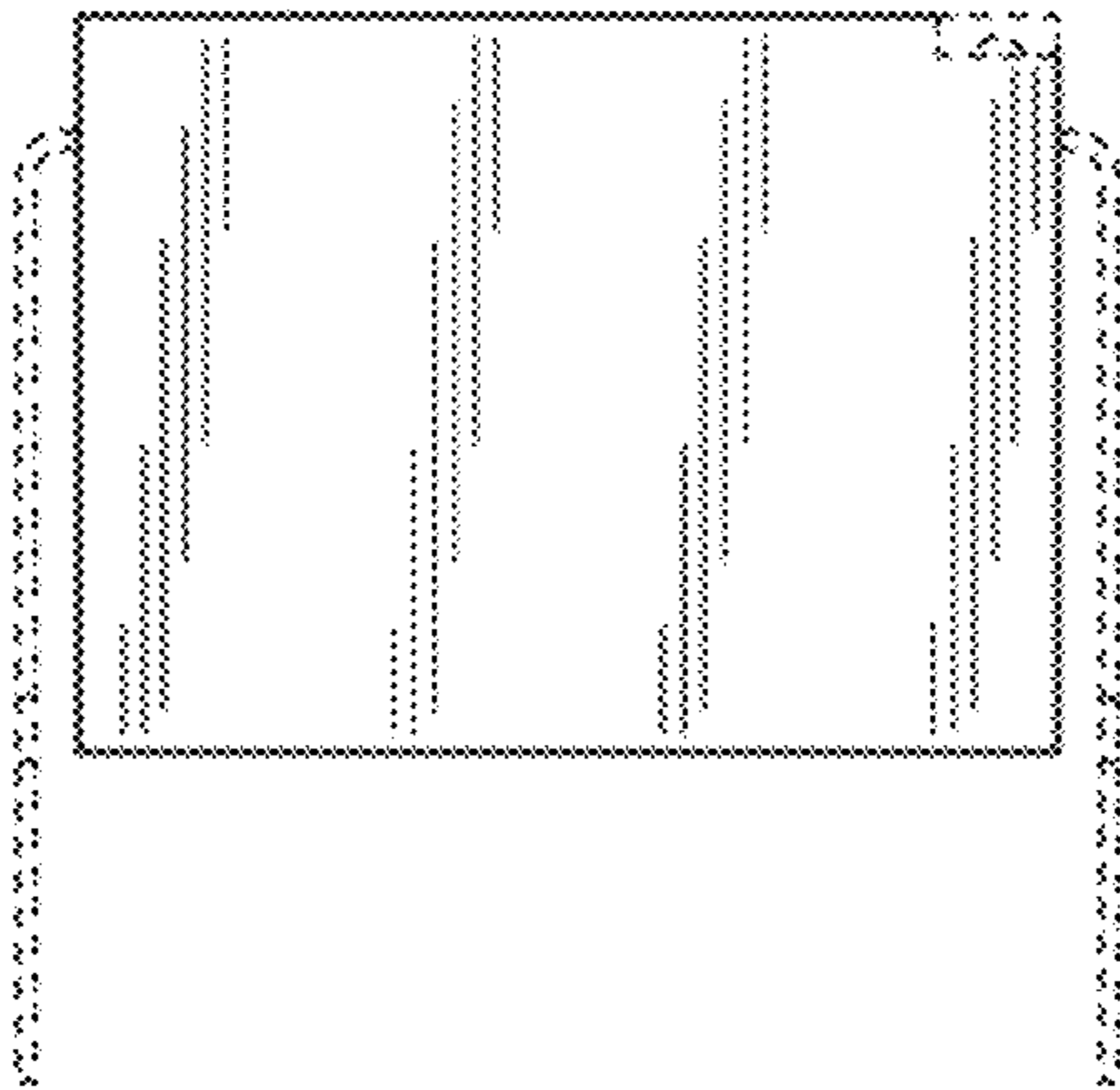
1.1



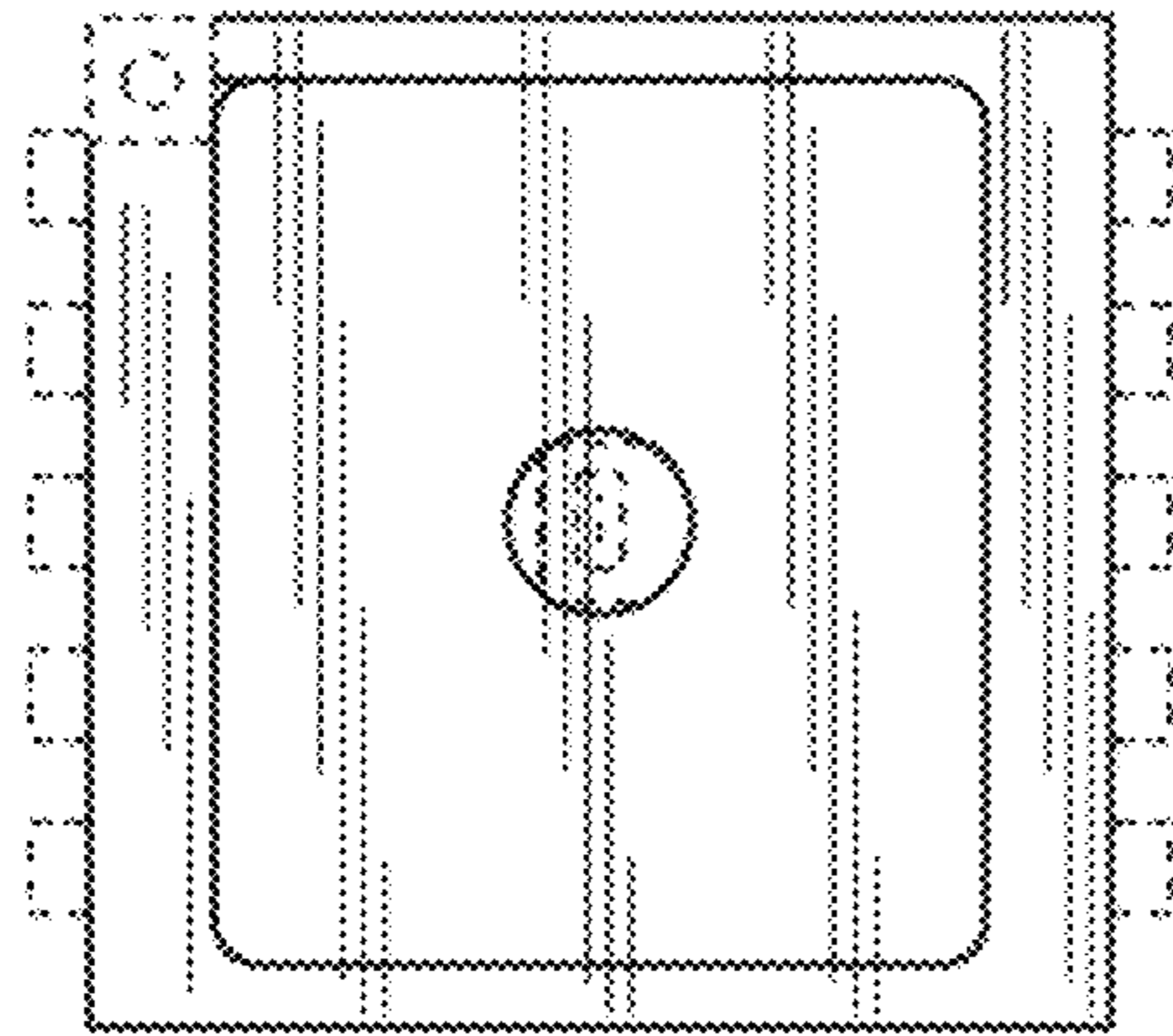
1.2



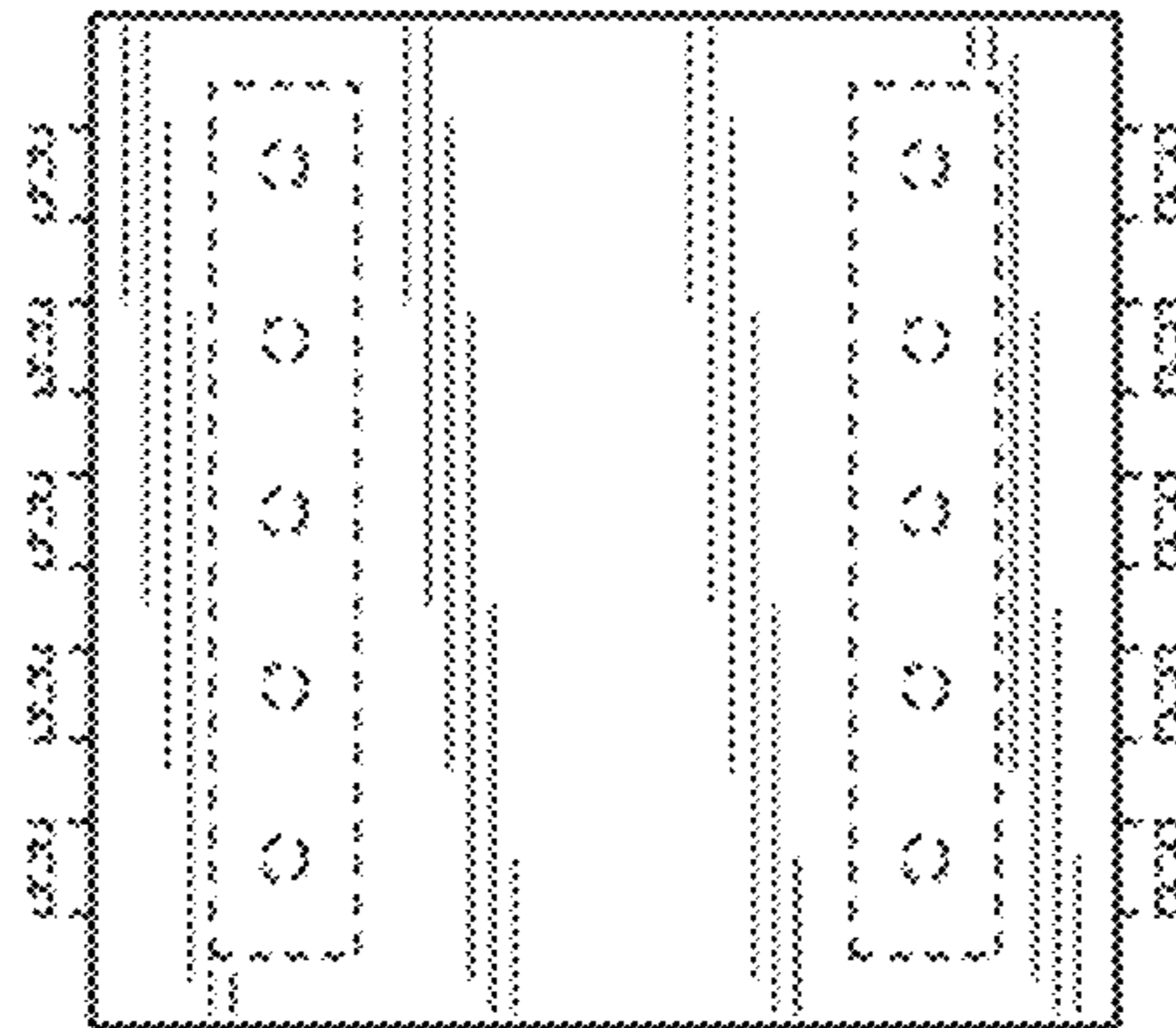
1.3



1.4

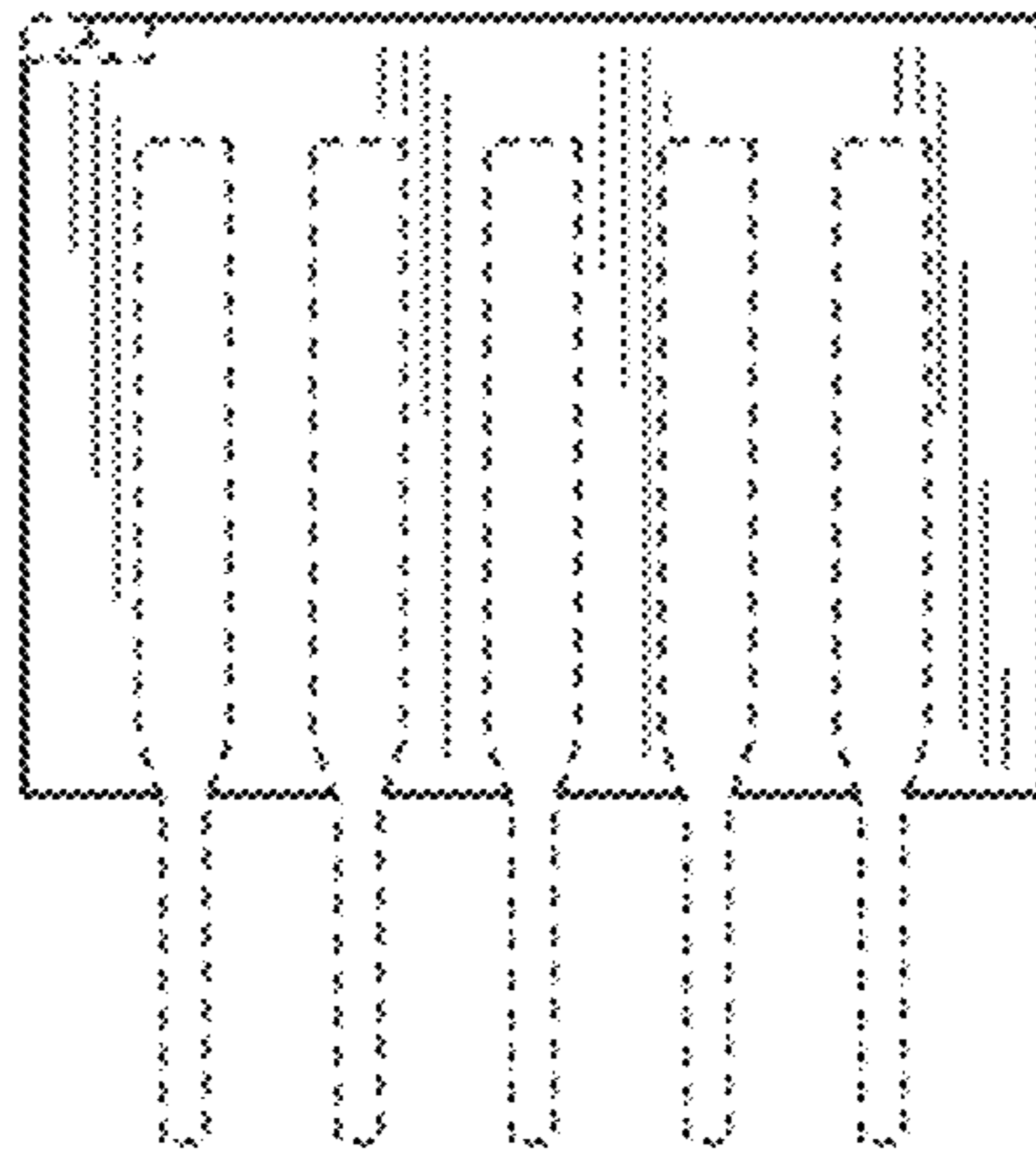


1.5

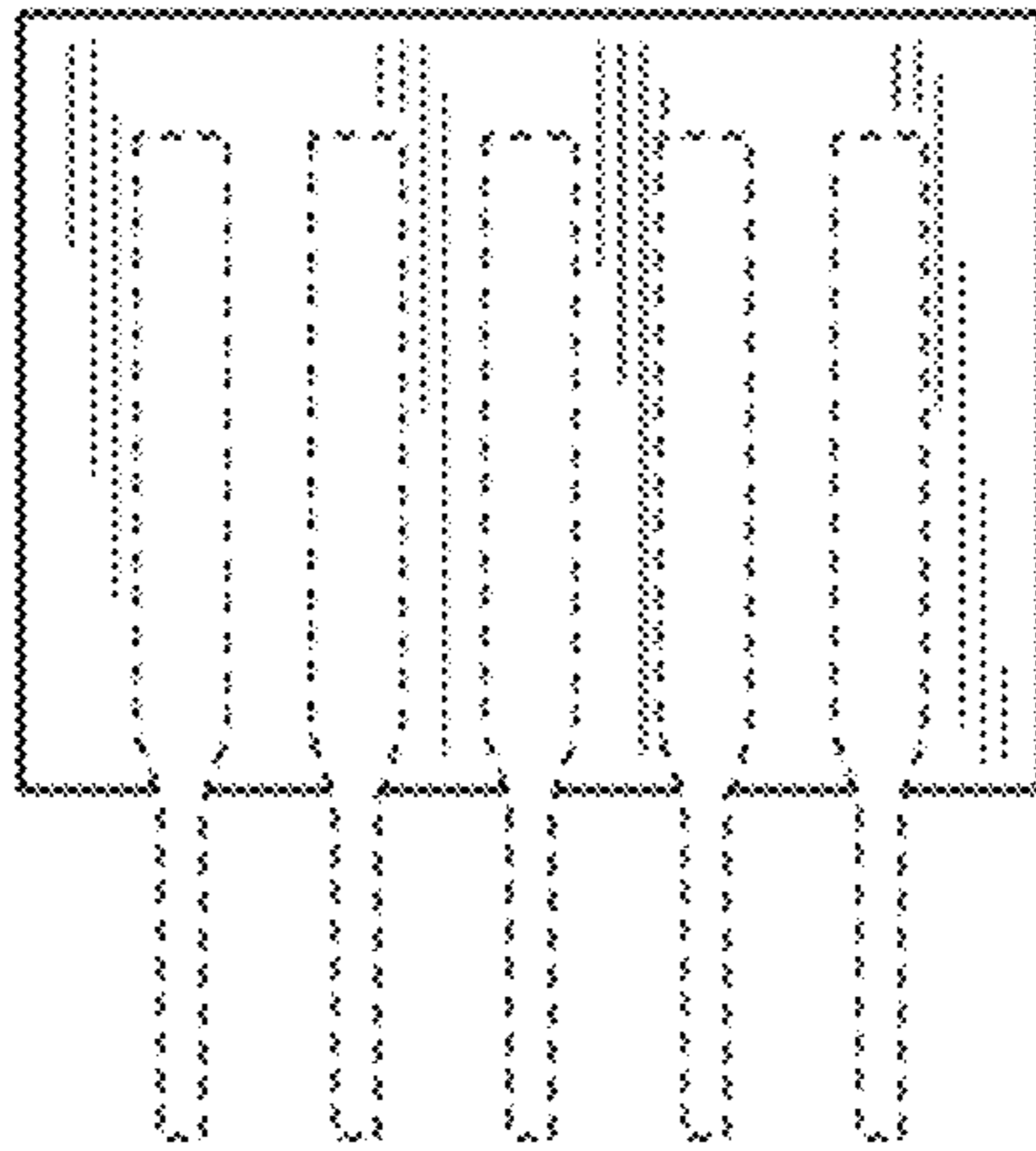




1.6

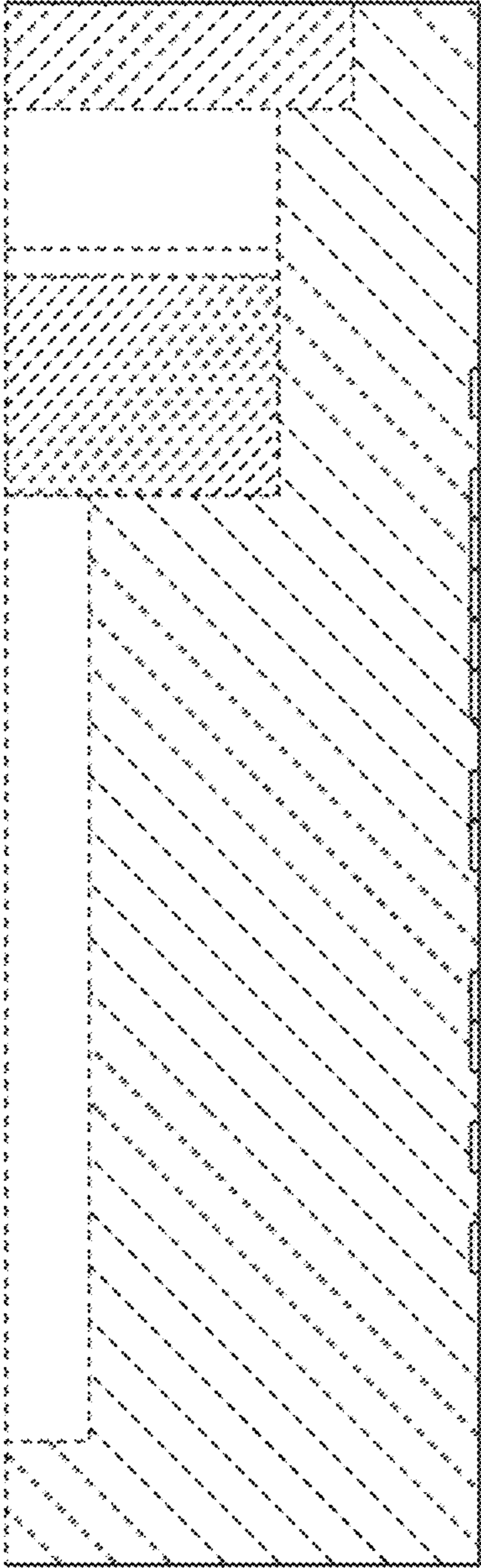


1.7

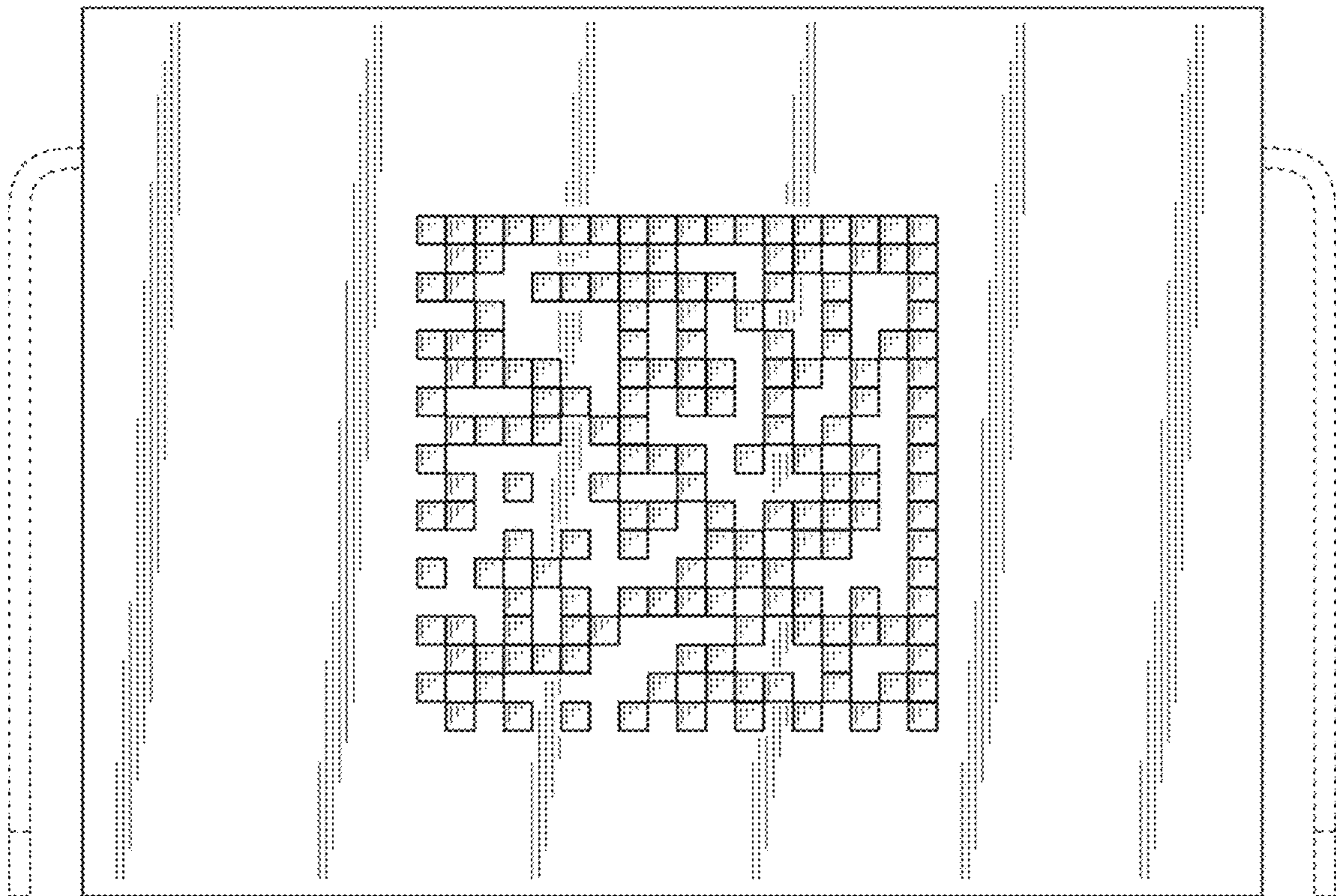




1.8



1.9



1.10

