



US00D829105S

(12) **United States Design Patent**  
**Templeman**

(10) **Patent No.:** **US D829,105 S**  
(45) **Date of Patent:** **\*\* Sep. 25, 2018**

(54) **TUB PACKAGING**

(71) Applicant: **Unilever BCS US, Inc.**, Englewood Cliffs, NJ (US)

(72) Inventor: **Chloe Templeman**, London (GB)

(73) Assignee: **Upfield Europe B.V.**, Rotterdam (NL)

(\*\*) Term: **15 Years**

(21) Appl. No.: **29/550,423**

(22) Filed: **Jan. 4, 2016**

(30) **Foreign Application Priority Data**

Jul. 3, 2015 (EM) ..... 002730747-0001

Jul. 3, 2015 (EM) ..... 002730747-0002

(Continued)

(51) **LOC (11) Cl.** ..... **09-01**

(52) **U.S. Cl.**

USPC ..... **D9/629**; D9/434

(58) **Field of Classification Search**

USPC ..... D9/600, 629, 667, 655, 658, 659-660, D9/414-434; 206/457, 494, 459.5, 527,

(Continued)

(56) **References Cited**

**U.S. PATENT DOCUMENTS**

2,780,385 A \* 2/1957 Tupper ..... A47J 47/02  
D9/431

D343,795 S \* 2/1994 Verchere ..... D9/425

(Continued)

**OTHER PUBLICATIONS**

Becal, G & S: Margarine, edible oils and fats, U.S. Appl. No. 85/582,519, dated Aug. 14, 2012; Applicant: Conopco, Inc. Corporation New York, 700 Sylvan Avenue, Englewood, New Jersey 07632.

*Primary Examiner* — Sandra L Morris

(74) *Attorney, Agent, or Firm* — Arent Fox LLP

(57) **CLAIM**

The ornamental design for the tub packaging, as shown and described.

**DESCRIPTION**

The patent or application file contains at least one drawing executed in color. Copies of this patent or patent application publication with color drawings will be provided by the Office upon request and payment of the necessary fee.

FIG. 1 is a front perspective of my container wherein the lid is in gold color.

FIG. 2 is a top perspective view of the container of FIG. 1;

FIG. 3 is a rear elevational view of the container of FIG. 1;

FIG. 4 is a side elevational view of the container of FIG. 1 from the right side;

FIG. 5 is a side elevational view of the container of FIG. 1 from the left side;

FIG. 6 is a top plan view of the container of FIG. 1;

FIG. 7 is a bottom plan view of the container of FIG. 1;

FIG. 8 is a front perspective of my alternative container wherein the lid is in green color.

FIG. 9 is a top perspective view of the container of FIG. 8;

FIG. 10 is a rear elevational view of the container of FIG. 8;

FIG. 11 is a side elevational view of the container of FIG. 8 from the right side;

FIG. 12 is a side elevational view of the container of FIG. 8 from the left side;

FIG. 13 is a top plan view of the container of FIG. 8;

FIG. 14 is a bottom plan view of the container of FIG. 8;

FIG. 15 is a front perspective of my further alternative container wherein the container is not depicted in color.

FIG. 16 is a top perspective view of the container of FIG. 15;

FIG. 17 is a rear elevational view of the container of FIG. 15;

FIG. 18 is a side elevational view of the container of FIG. 15 from the right side;

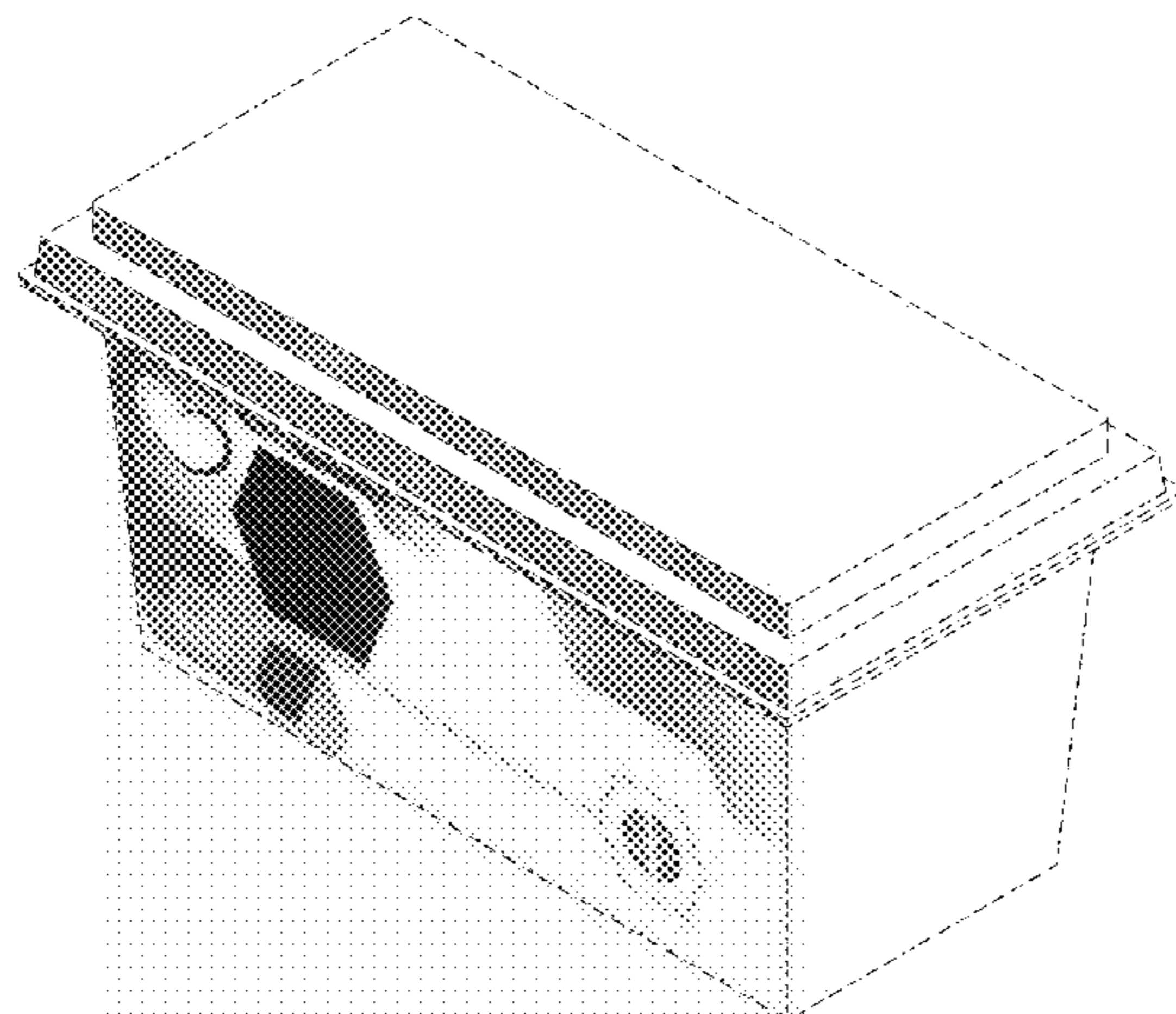
FIG. 19 is a side elevational view of the container of FIG. 15 from the left side;

FIG. 20 is a top plan view of the container of FIG. 15; and,

FIG. 21 is a bottom plan view of the container of FIG. 15.

The broken lines represent environmental structure and form no part of the claimed design.

**1 Claim, 15 Drawing Sheets**  
**(4 of 15 Drawing Sheet(s) Filed in Color)**



(30) **Foreign Application Priority Data**

Jul. 3, 2015 (EM) ..... 002730747-0003  
Jul. 3, 2015 (EM) ..... 002730747-0004

(58) **Field of Classification Search**

USPC ..... 206/540; 229/116.1; 215/381-384, 400;  
D7/514-516, 539, 544, 571, 579, 604,  
D7/613, 619.2, 628-630, 391-392.1;  
D3/202, 270-271.12  
CPC ..... B65D 67/00; B65D 81/36; B65D 81/60;  
B65D 81/368; B65D 2203/00; B65D  
2203/02; A63H 33/16

See application file for complete search history.

(56) **References Cited**

U.S. PATENT DOCUMENTS

D682,116 S \* 5/2013 Sina ..... D9/425  
D725,479 S \* 3/2015 Ajichi ..... D9/629  
D726,025 S \* 4/2015 Somers ..... D9/416  
D729,069 S \* 5/2015 Ajichi ..... D9/432  
D730,741 S \* 6/2015 Reinmuth ..... D9/434  
D751,917 S \* 3/2016 Reinmuth ..... D9/434  
D772,072 S \* 11/2016 Klopp ..... D9/434

\* cited by examiner

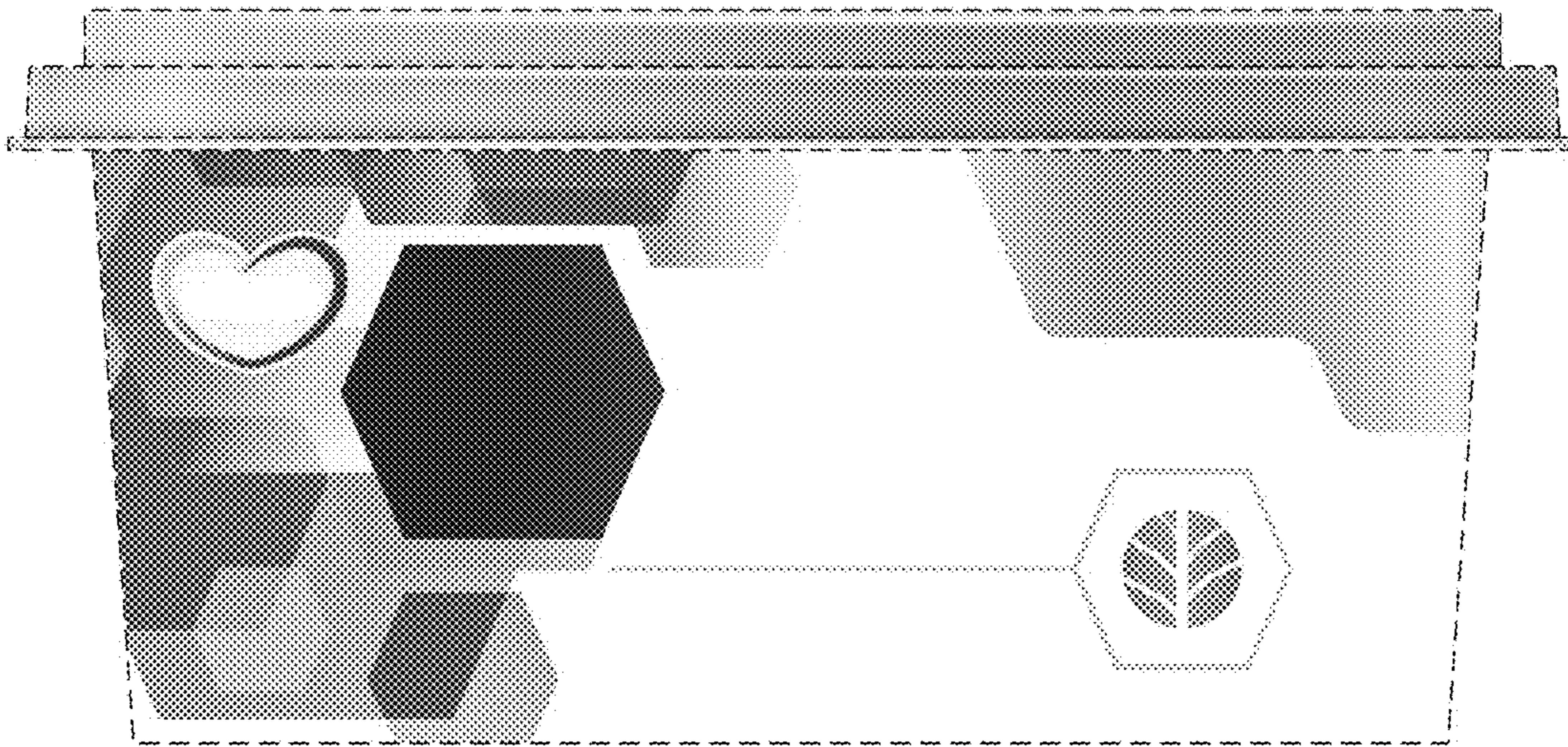


Fig. 1



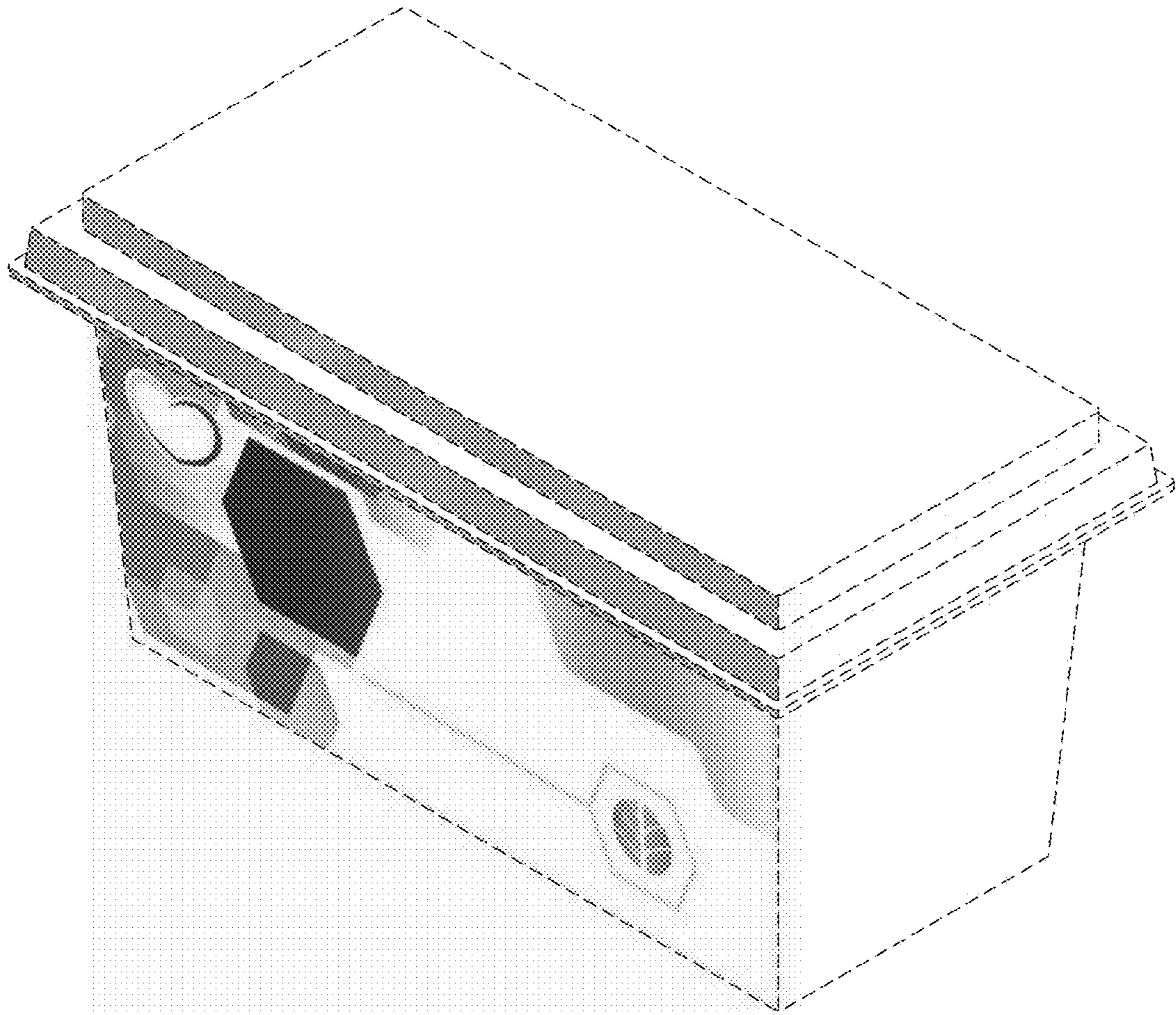


Fig. 2

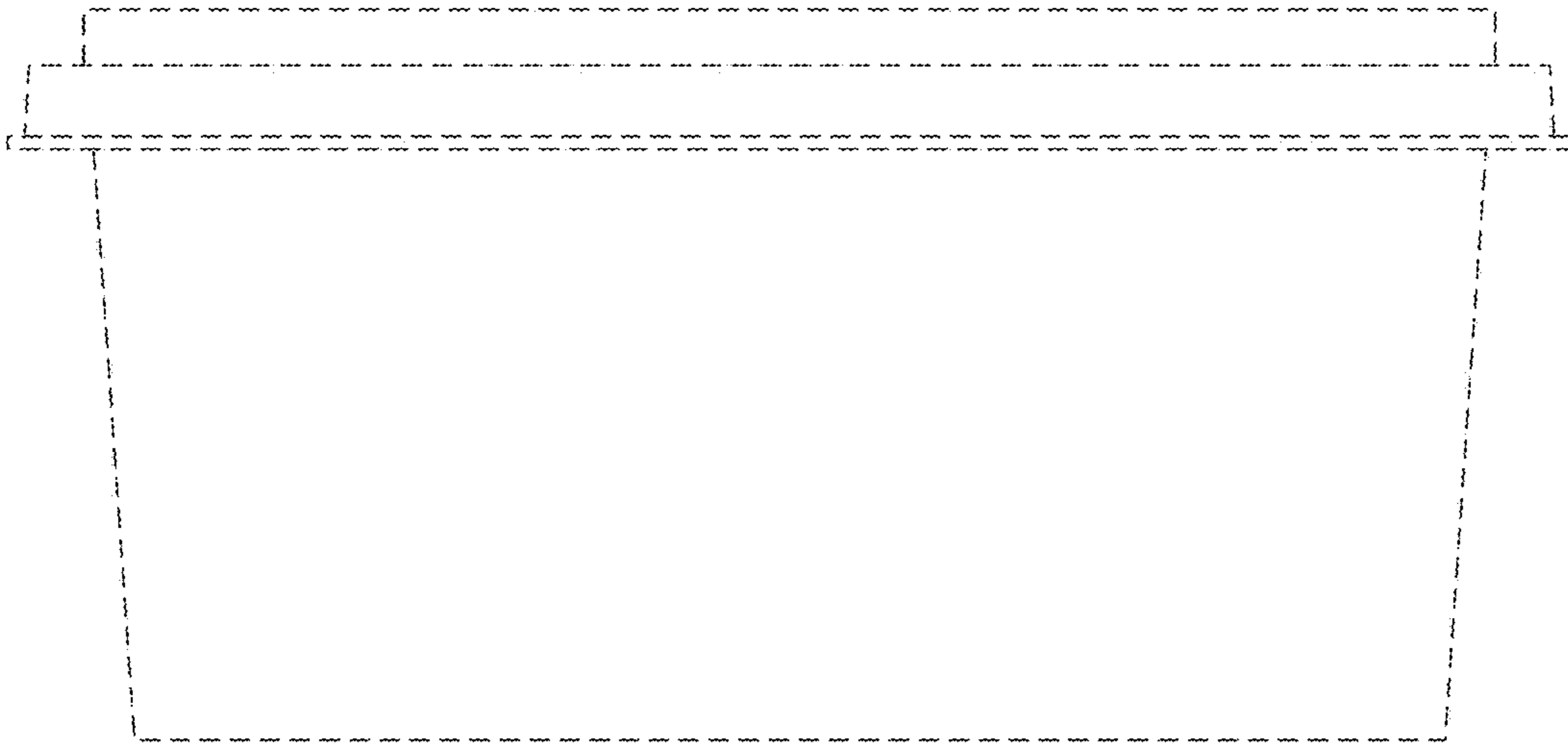


Fig. 3

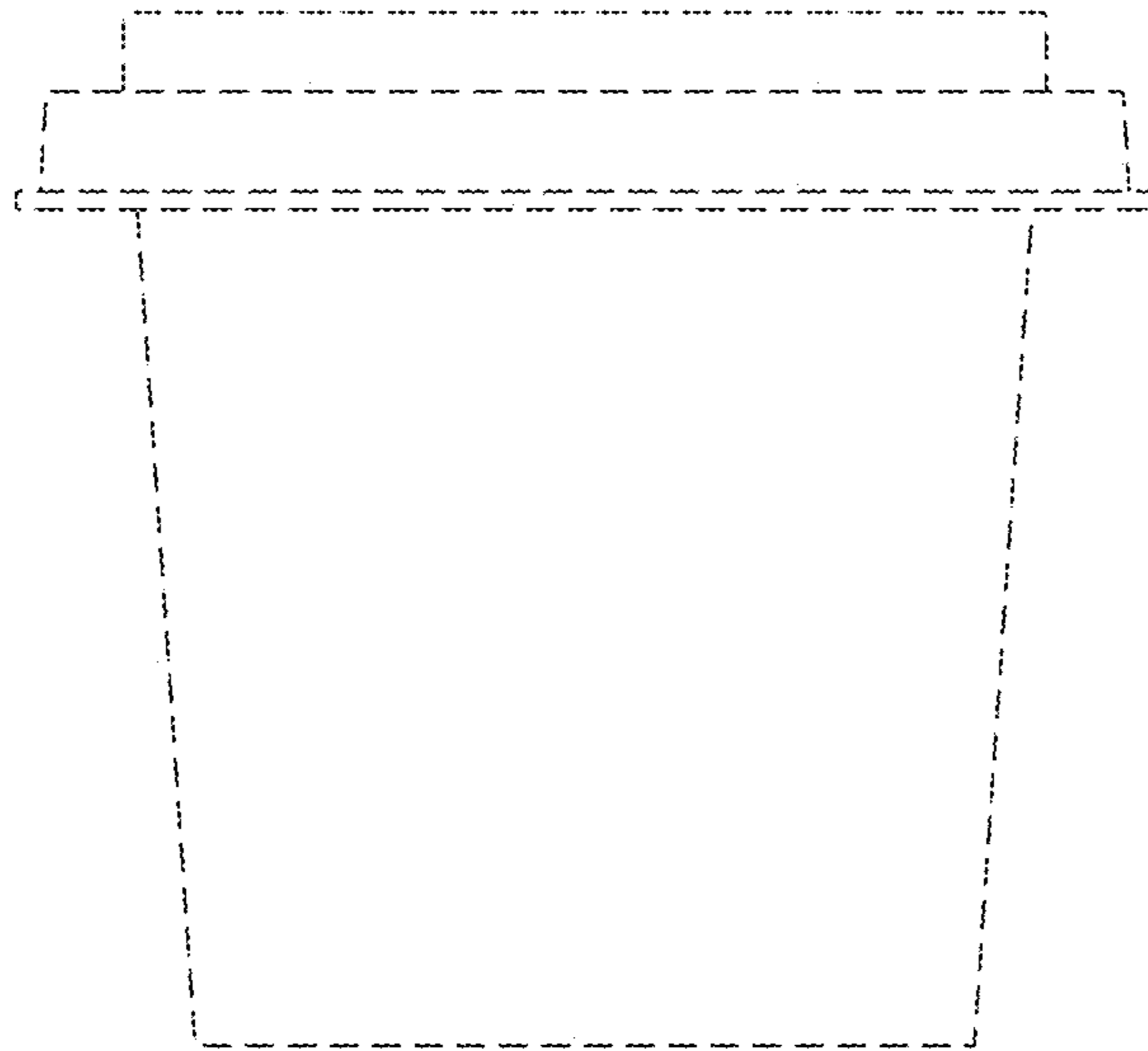


Fig. 4

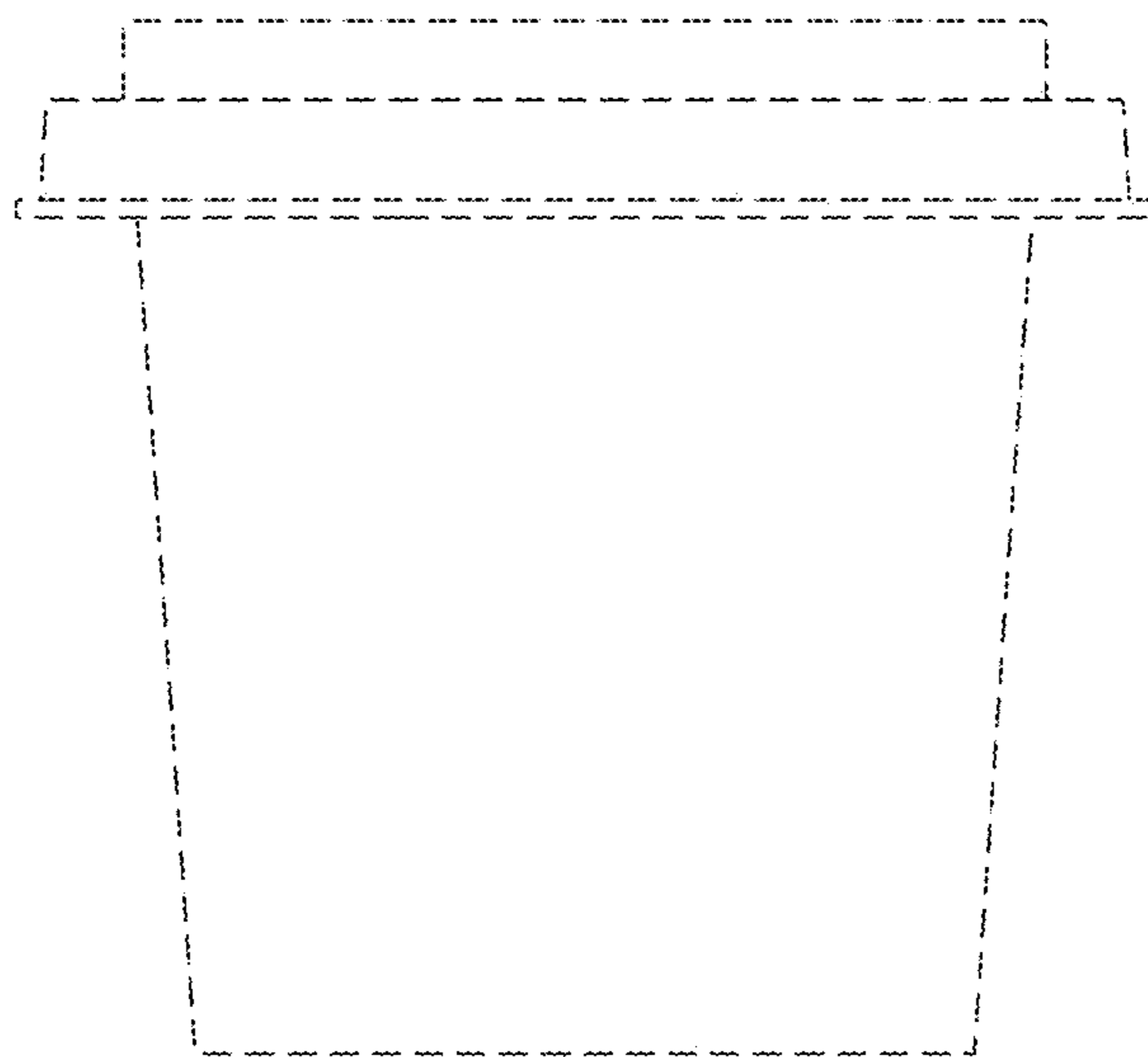


Fig. 5



Fig. 6

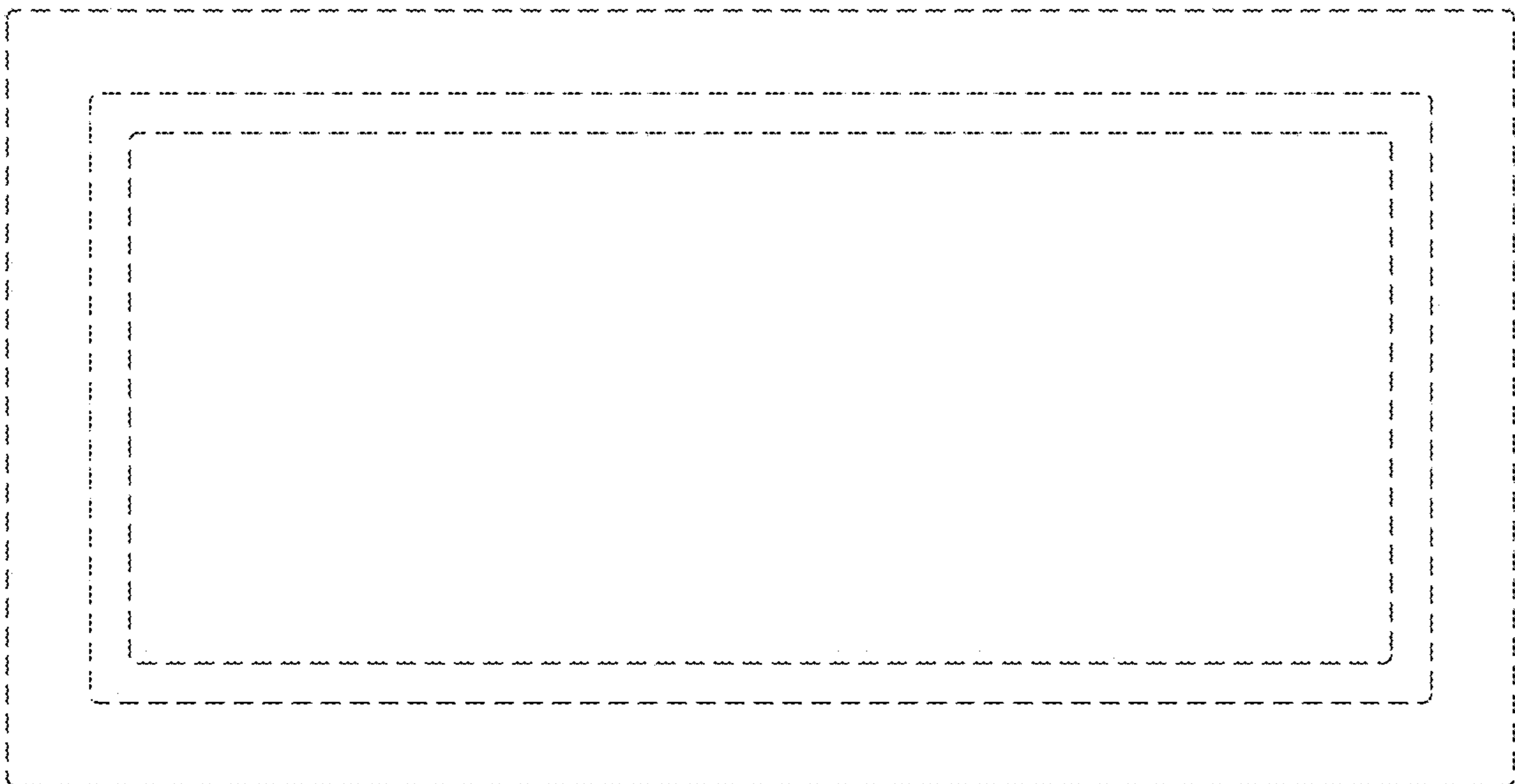


Fig. 7

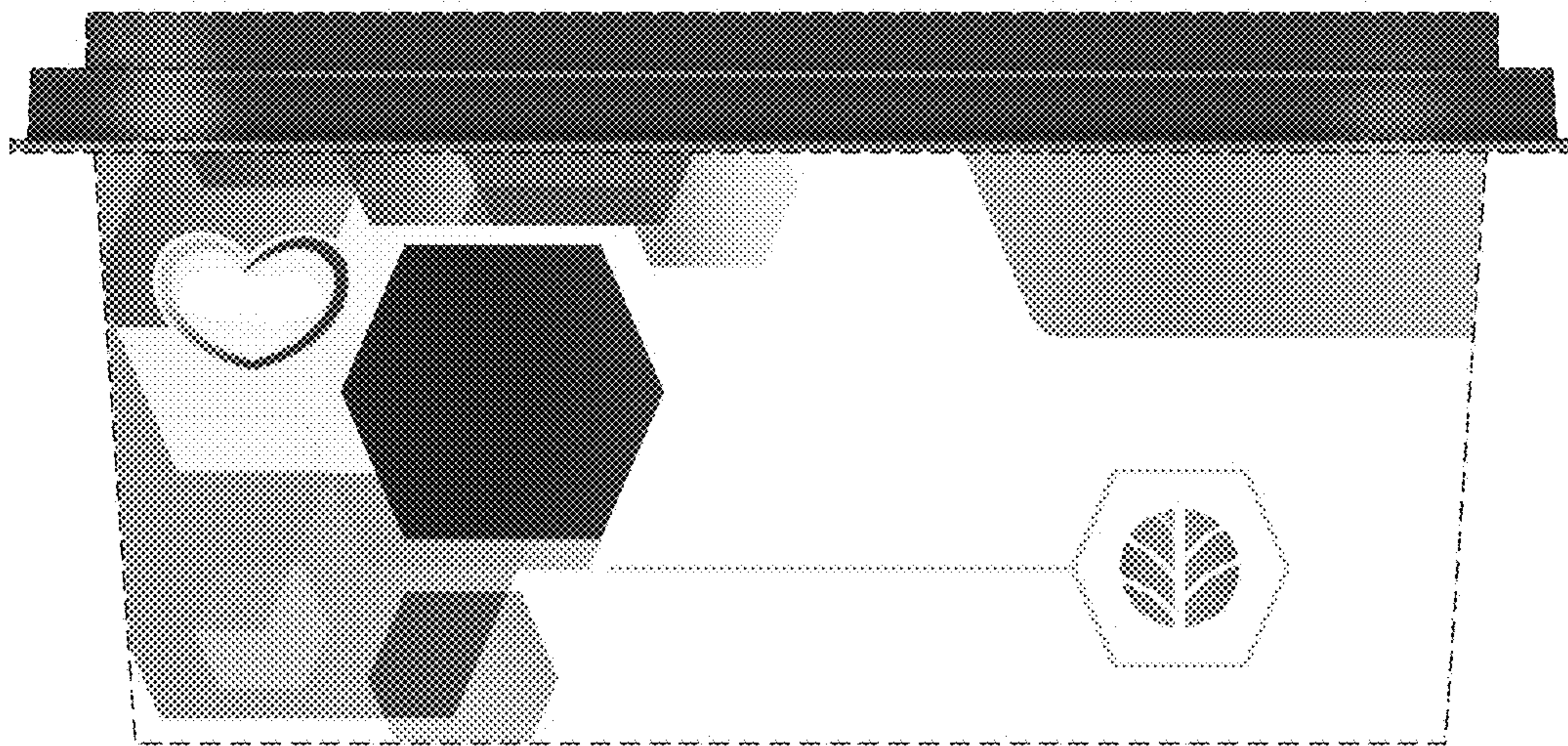


Fig. 8



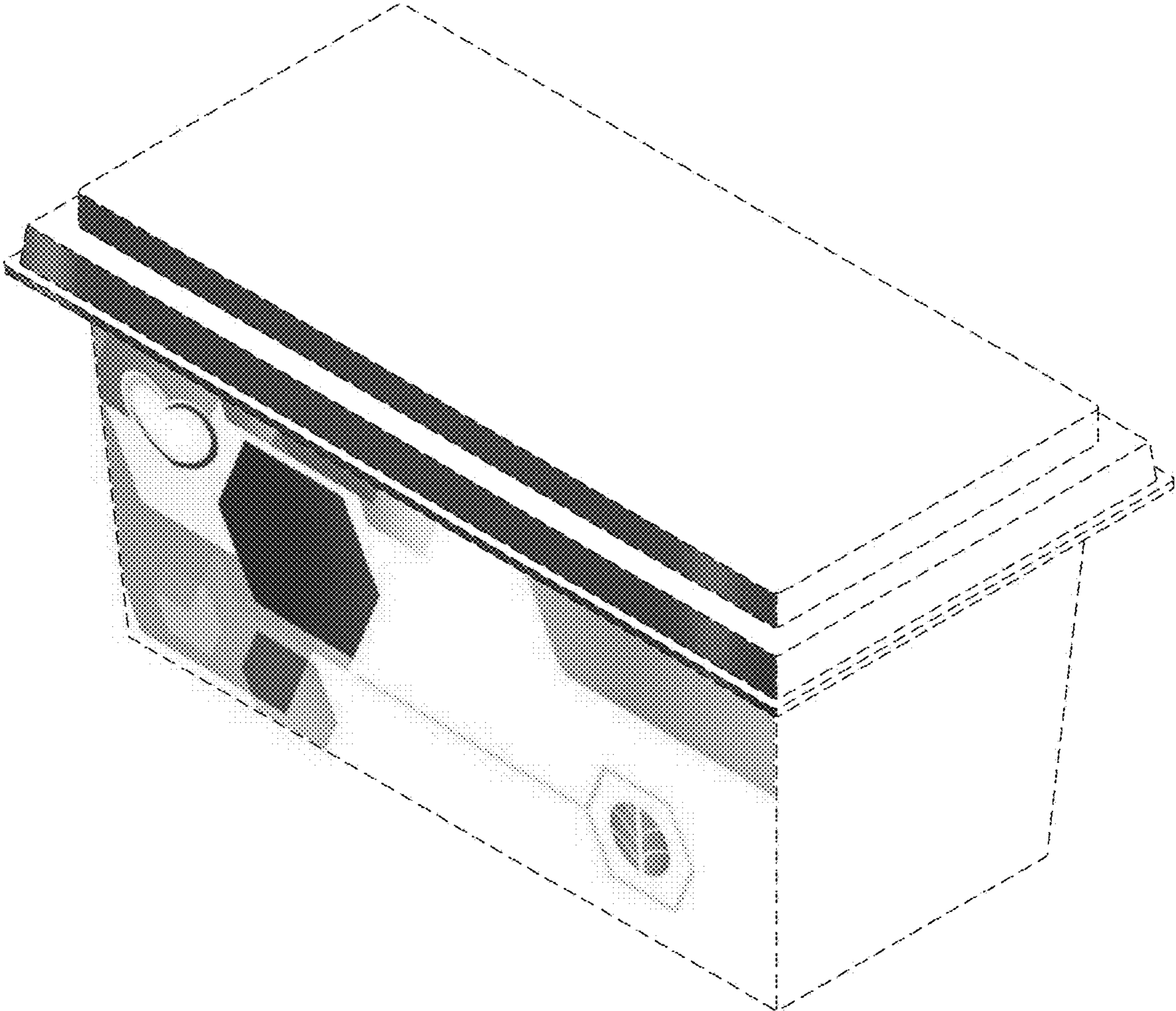


Fig. 9

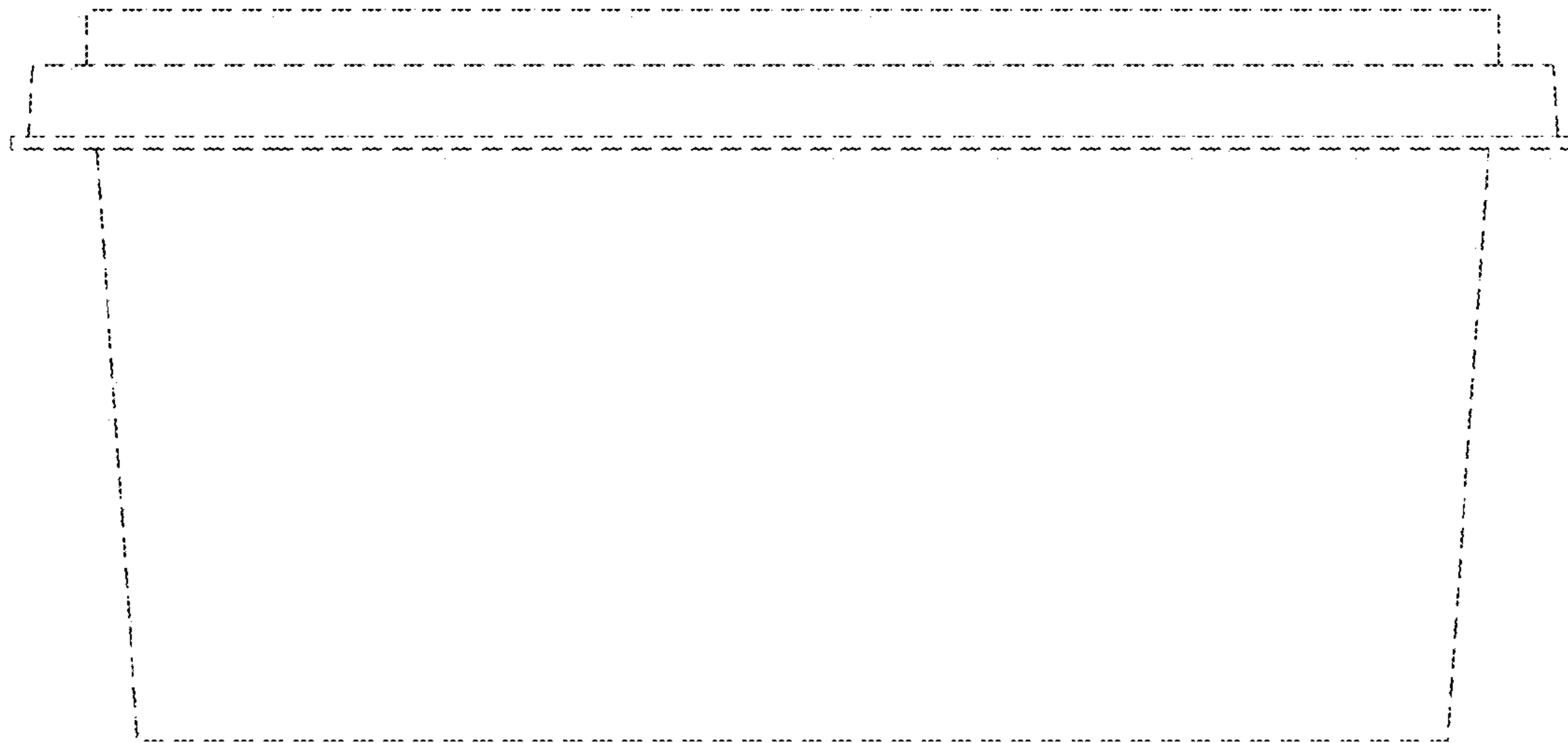


Fig. 10

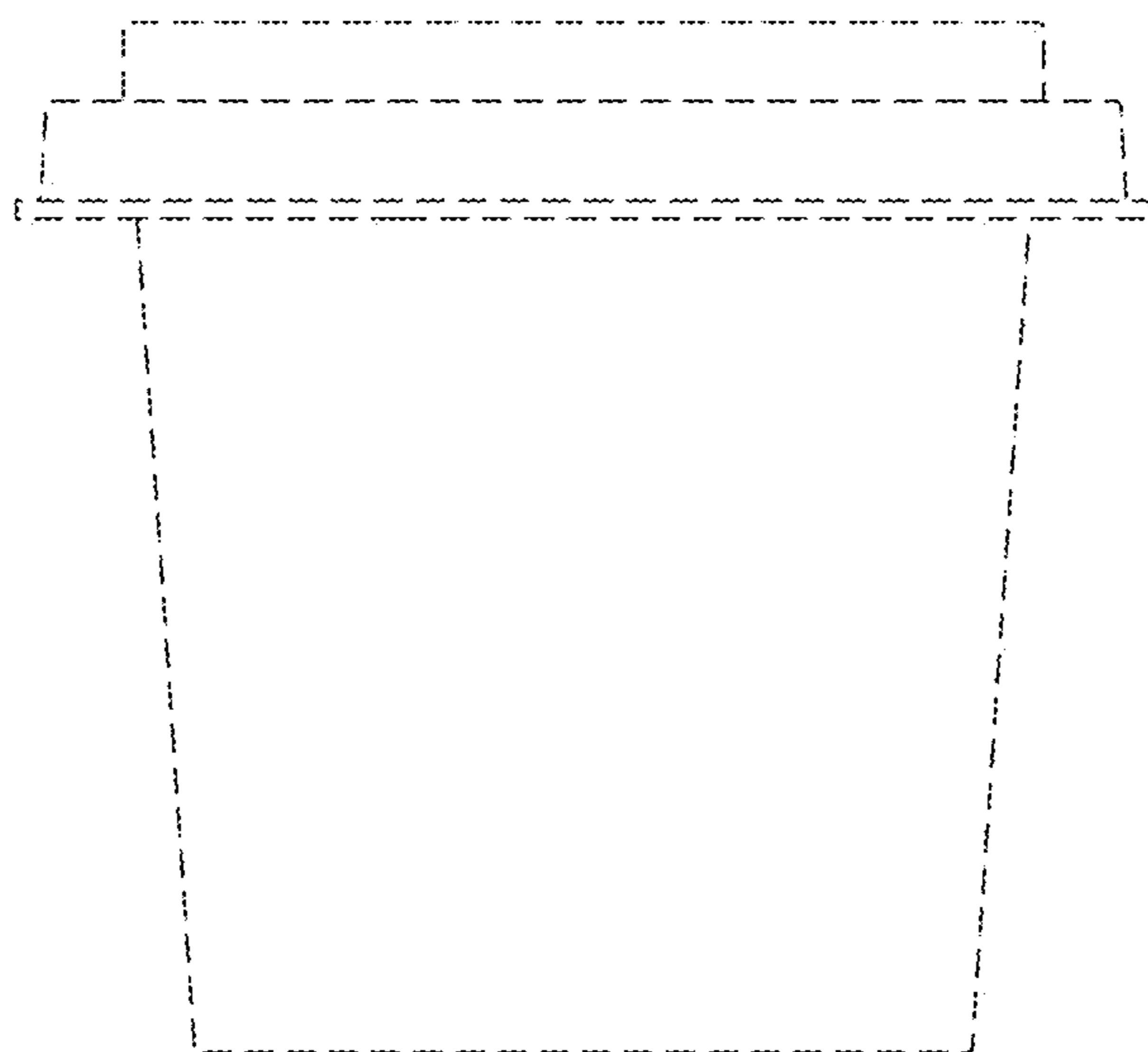


Fig. 11

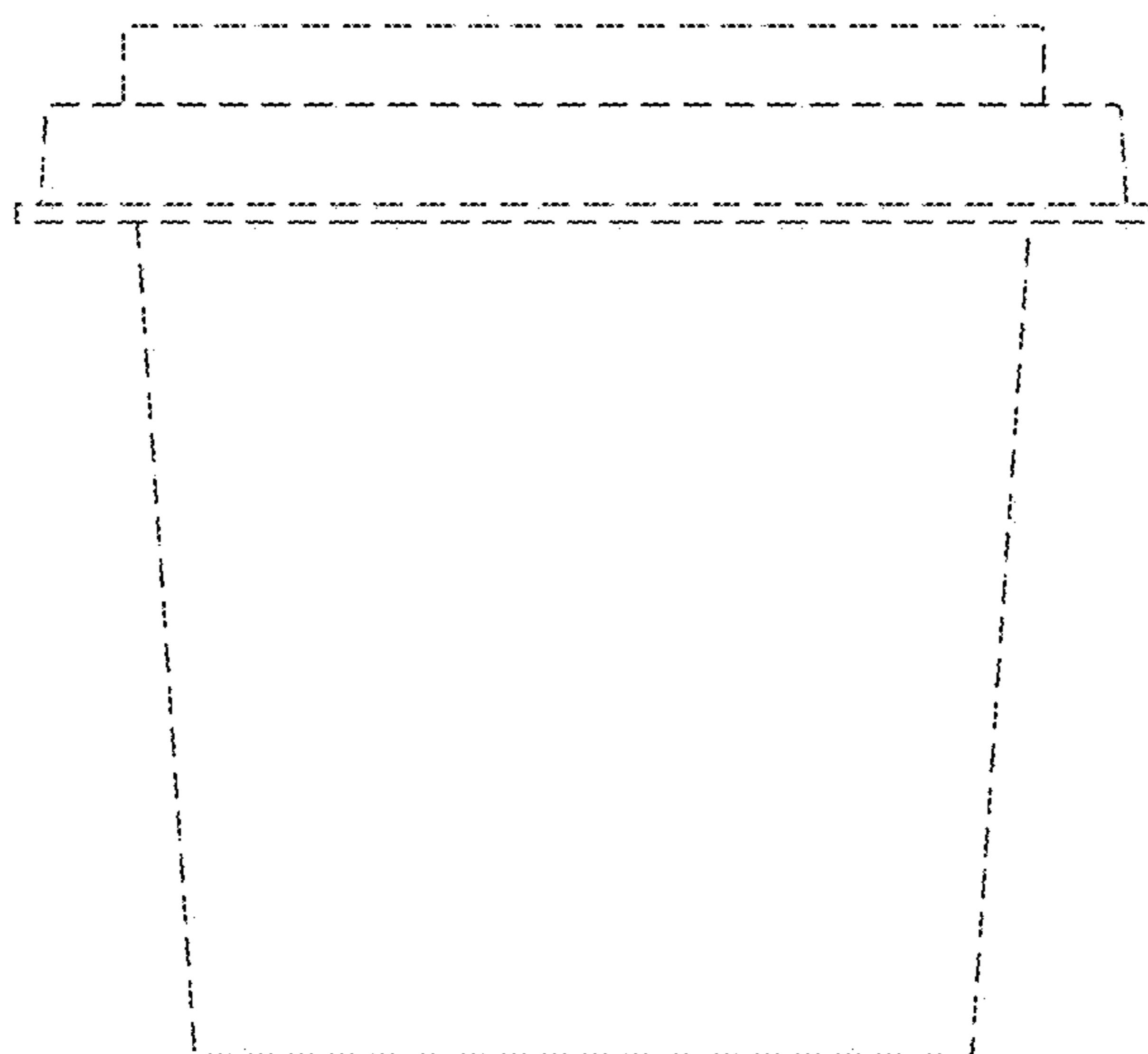


Fig. 12

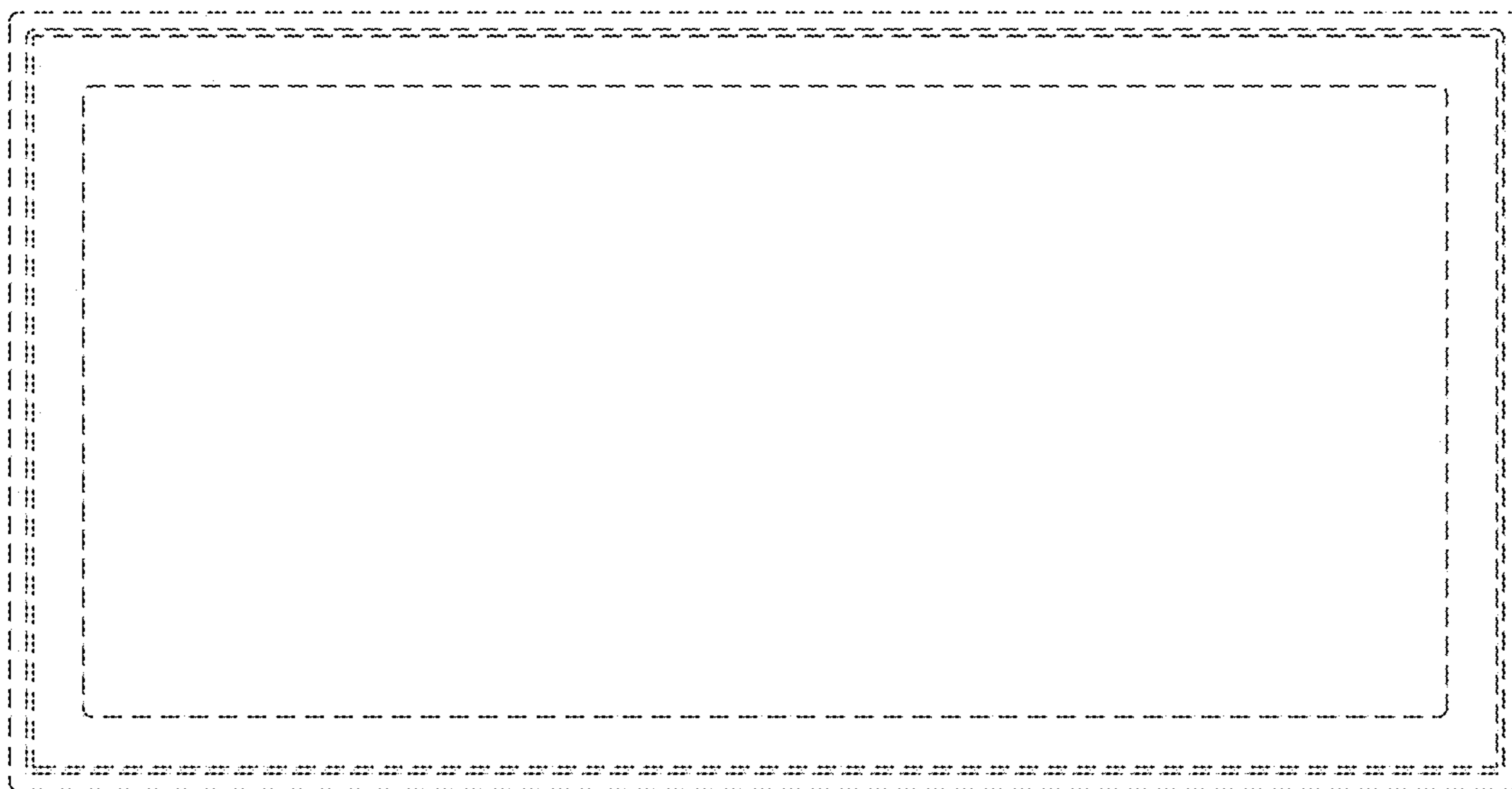


Fig. 13

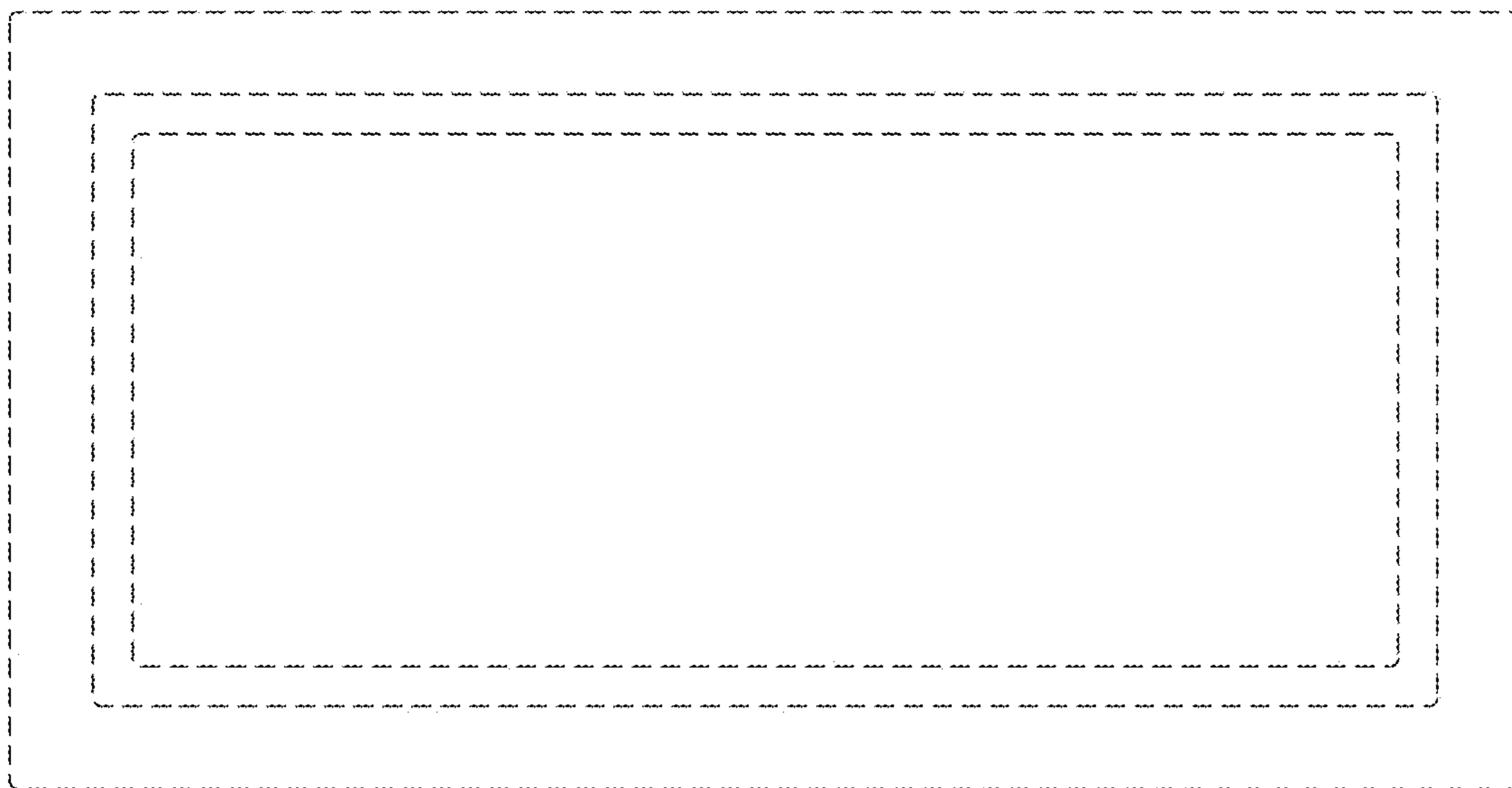


Fig. 14



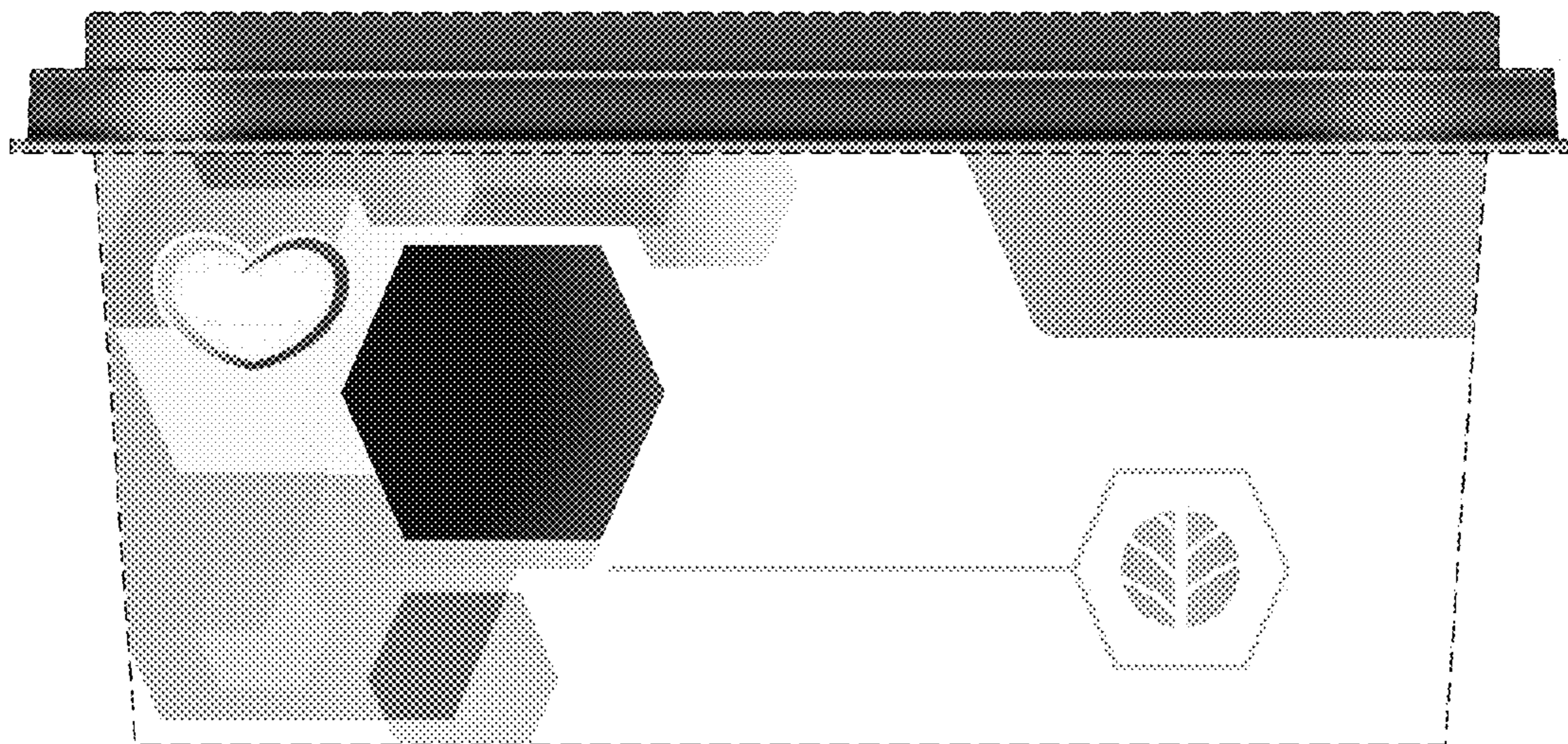


Fig. 15

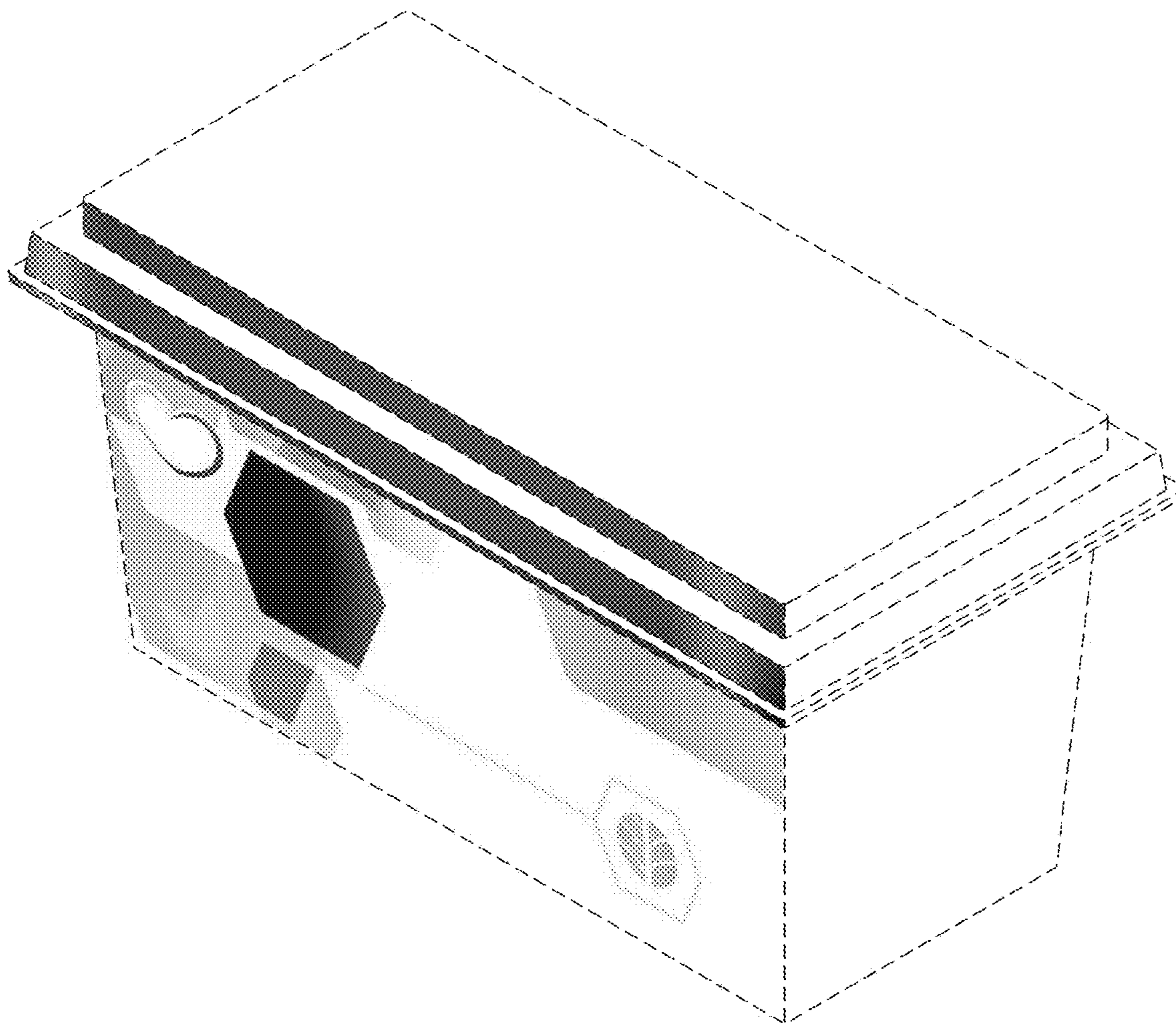


Fig. 16

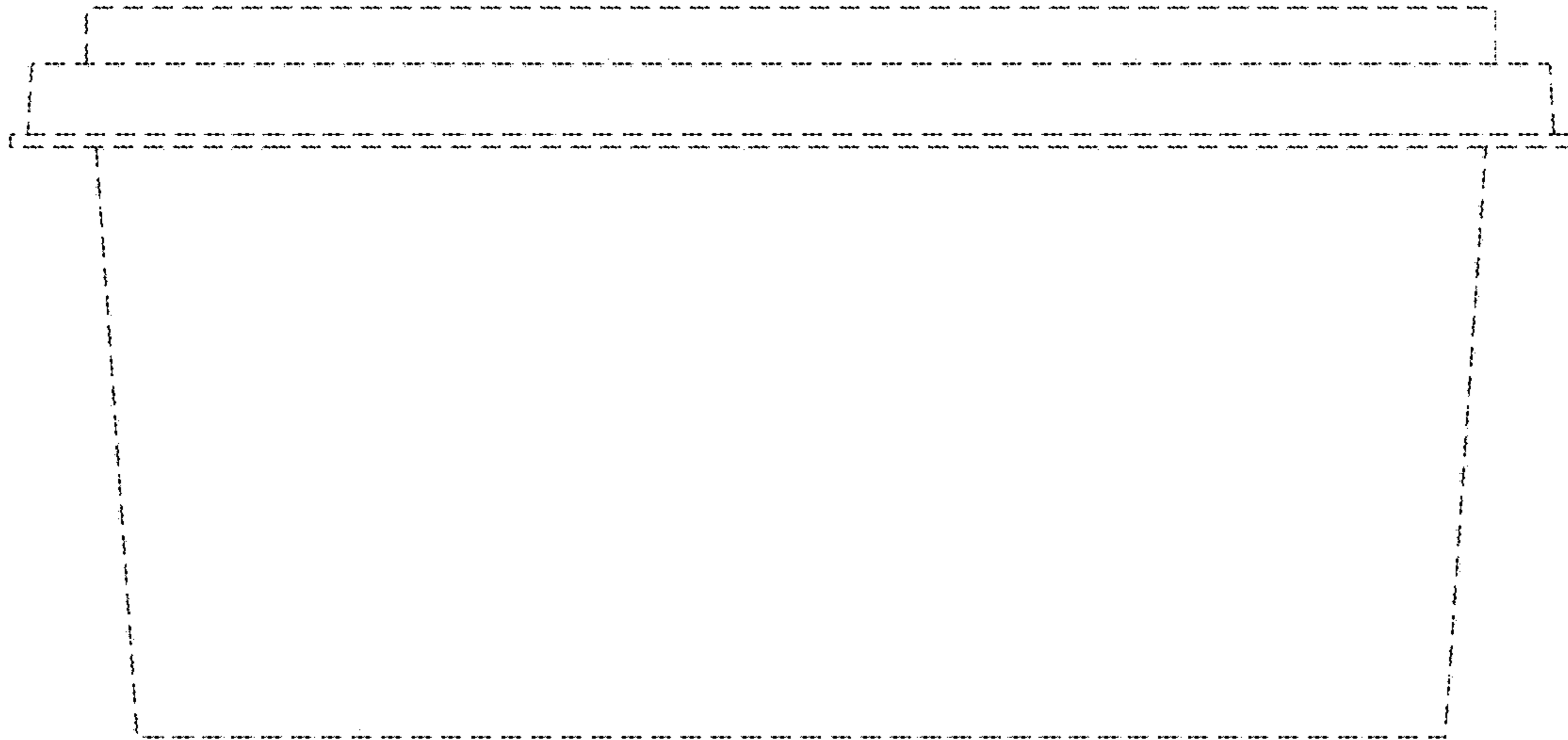


Fig. 17

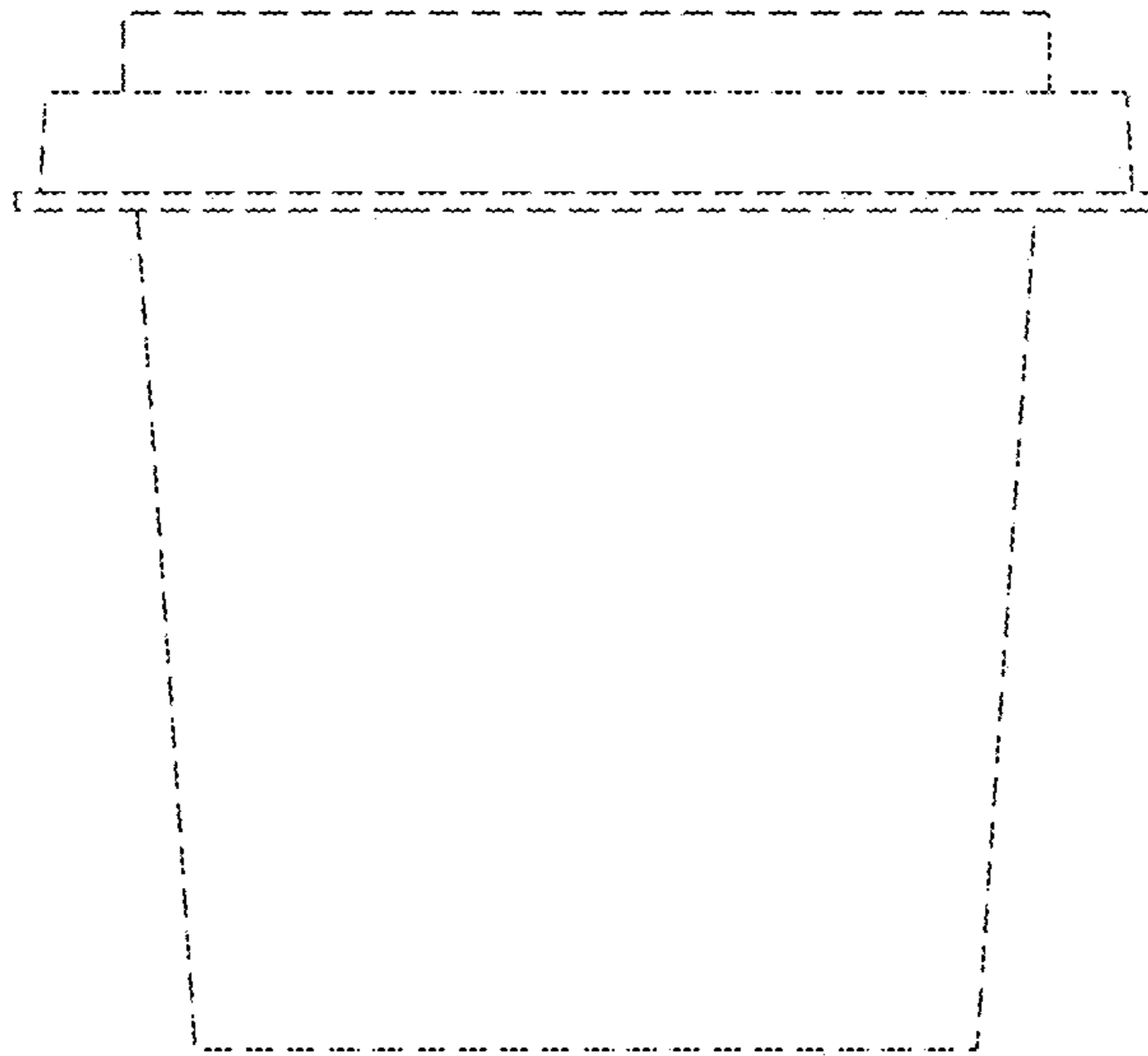


Fig. 18

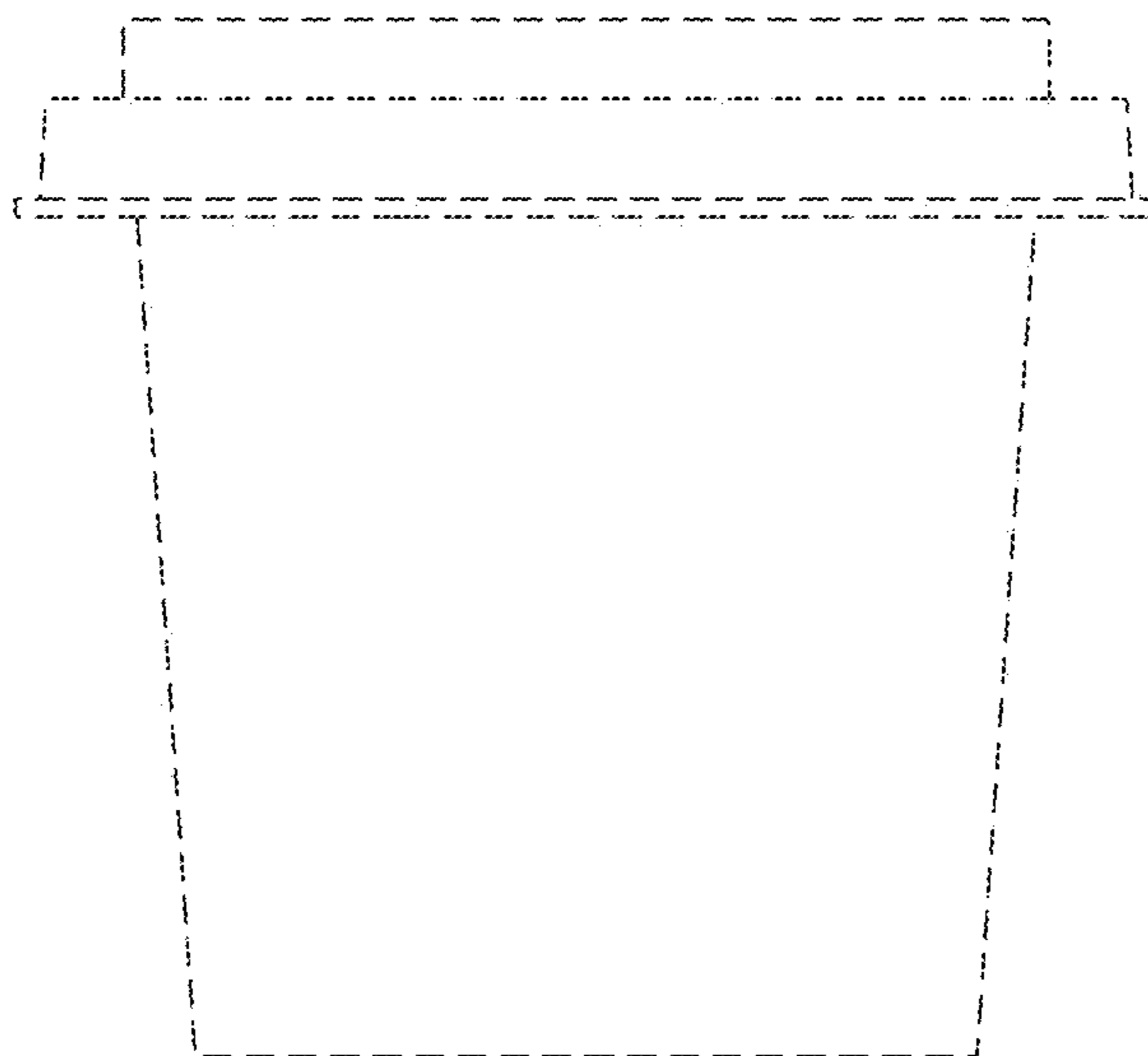


Fig. 19





Fig. 20

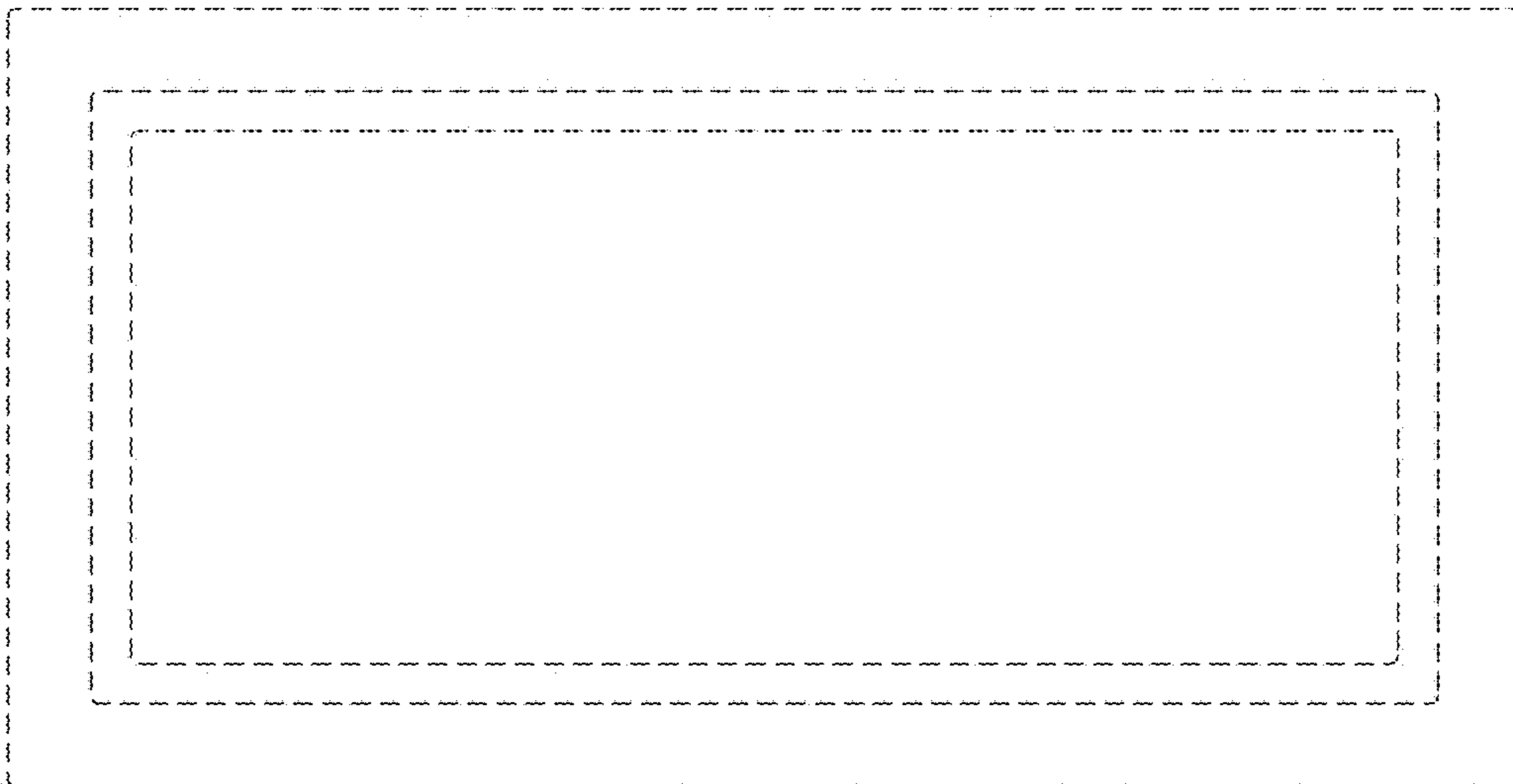


Fig. 21