



US00D829102S

(12) **United States Design Patent**  
**Harris et al.**

(10) **Patent No.:** **US D829,102 S**  
(45) **Date of Patent:** **\*\* Sep. 25, 2018**

(54) **CONTAINER WITH CAP AND BASE**

(71) Applicant: **S. C. Johnson & Son, Inc.**, Racine, WI (US)

(72) Inventors: **Kimberly J. Harris**, Milwaukee, WI (US); **Nathaniel Jiang**, Chicago, IL (US); **Rodney L. Prater**, Oak Creek, WI (US); **Christopher P. Wolak**, Racine, WI (US)

(73) Assignee: **S. C. Johnson & Son, Inc.**, Racine, WI (US)

(\*\*) Term: **15 Years**

(21) Appl. No.: **29/505,350**

(22) Filed: **Sep. 21, 2015**

(51) **LOC (11) Cl.** ..... **09-01**

(52) **U.S. Cl.**  
USPC ..... **D9/516; D9/503; D9/690**

(58) **Field of Classification Search**  
USPC ..... D9/434-435, 447-448, 454, 455, D9/500-501, 503-505, 516-517, 520, D9/530, 537, 539, 549, 558, 682, 686, D9/688-691; D24/197  
CPC ..... B65D 1/00; B65D 1/02; B65D 1/0223; B65D 23/00; B65D 23/001; B65D 23/08; B65D 23/0885; B65D 81/00; B65D 2501/00; B65D 2501/0009  
See application file for complete search history.

(56) **References Cited**

**U.S. PATENT DOCUMENTS**

- 3,482,724 A \* 12/1969 Heaton ..... B65D 23/001 215/10
- 3,651,993 A 3/1972 Venus
- 3,675,831 A 7/1972 Beres
- 3,722,725 A \* 3/1973 Khetani ..... B65D 23/001 215/12.1
- 3,738,536 A 6/1973 Gach

- 3,747,807 A 7/1973 Gach
- 3,773,227 A 11/1973 Laing
- 3,779,427 A 12/1973 Ewald
- 3,804,302 A 4/1974 Yamada
- D234,251 S \* 2/1975 Edwards ..... D9/500
- D284,451 S \* 7/1986 Fortuna ..... D9/443

(Continued)

**FOREIGN PATENT DOCUMENTS**

- WO 03095330 A1 11/2003
- WO 2004020313 A1 2/2004

(Continued)

*Primary Examiner* — Dana Meyrow

(74) *Attorney, Agent, or Firm* — Quarles & Brady LLP

(57) **CLAIM**

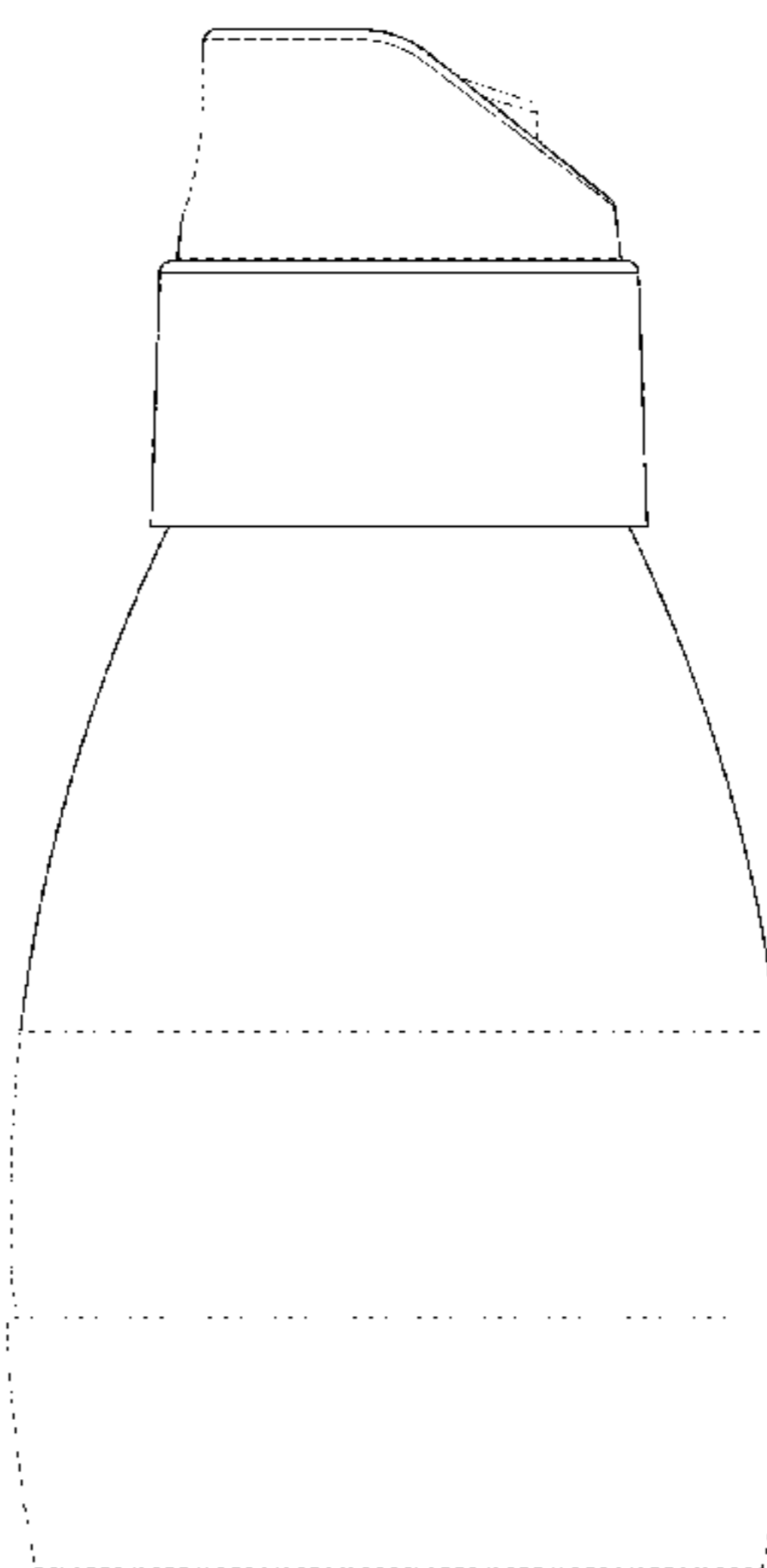
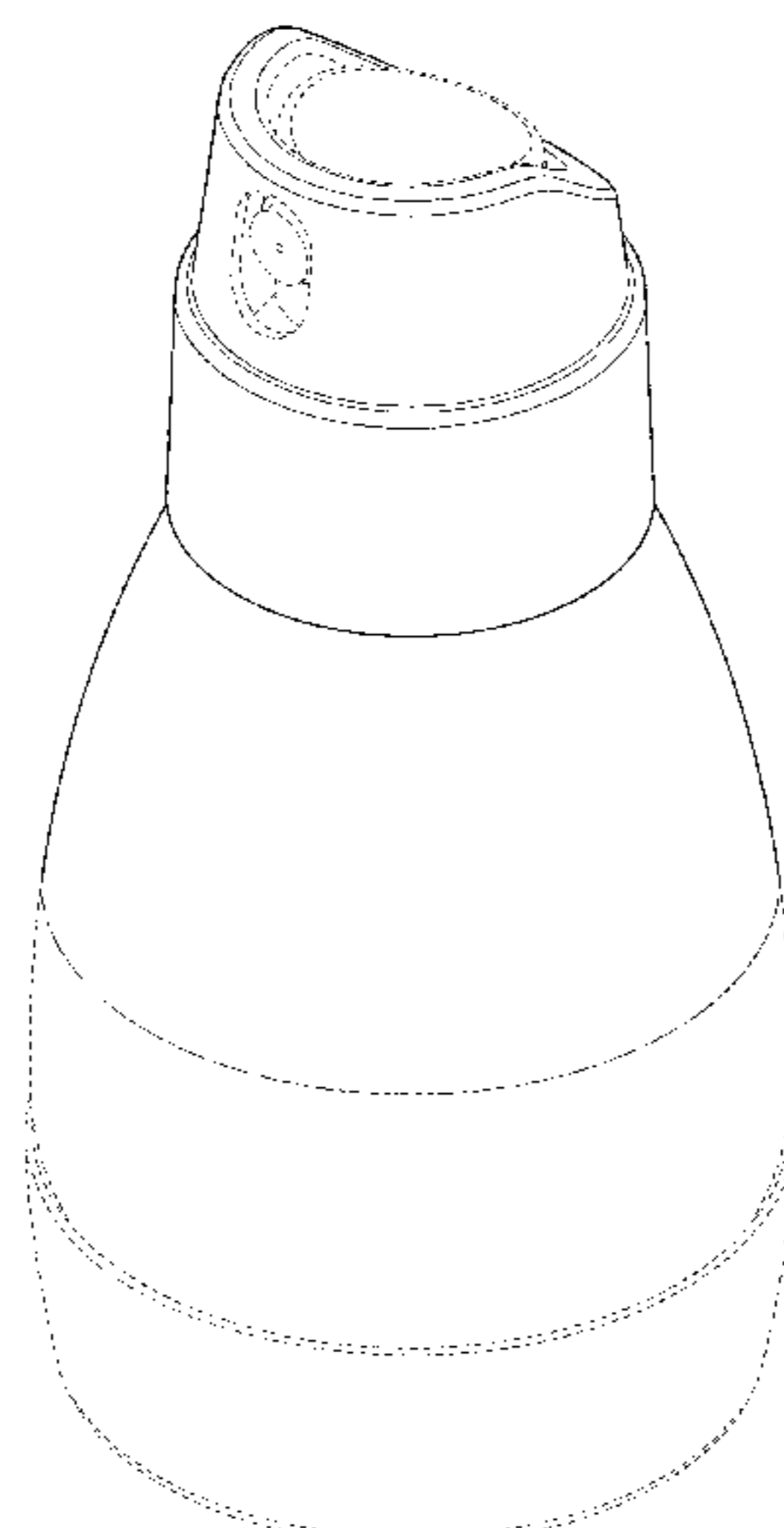
The ornamental design for a container with cap and base, as shown and described.

**DESCRIPTION**

FIG. 1 is an isometric view of a top, front, and left side of an ornamental design for a container with cap and base; FIG. 2 is a front elevational view of the container with cap and base of FIG. 1; FIG. 3 is a rear elevational view of the container with cap and base of FIG. 1; FIG. 4 is a left side elevational view of the container with cap and base of FIG. 1; FIG. 5 is a right side elevational view of the container with cap and base of FIG. 1; and, FIG. 6 is a top plan view of the container with cap and base of FIG. 1.

The dash-dash-dash-dash lines are included for the purpose of illustrating portions of the container with cap and base that form no part of the claimed design. The dash-dot-dash lines are included for the purpose of illustrating a boundary line, and form no part of the claimed design.

**1 Claim, 6 Drawing Sheets**



(56)

References Cited

U.S. PATENT DOCUMENTS

4,609,418 A \* 9/1986 Yoshino ..... B29C 65/7858  
 156/294  
 D310,028 S \* 8/1990 Brandt ..... D9/434  
 6,758,373 B2 7/2004 Jackson  
 7,036,691 B2 5/2006 Nicolas  
 D585,745 S \* 2/2009 Honkawa ..... D9/500  
 7,487,891 B2 2/2009 Yerby et al.  
 D608,655 S \* 1/2010 Brewer ..... D9/689  
 7,699,190 B2 4/2010 Hygema  
 7,757,905 B2 7/2010 Strand et al.  
 8,100,298 B2 1/2012 Marquardt et al.  
 8,127,968 B2 3/2012 Yerby et al.  
 8,403,184 B2 3/2013 Eberhardt et al.  
 8,418,892 B2 4/2013 Geier  
 8,517,227 B2 8/2013 Strand et al.  
 D704,557 S \* 5/2014 Hamill ..... D9/500  
 D706,133 S \* 6/2014 Robinson ..... D9/434  
 D716,661 S \* 11/2014 Dubitsky ..... D9/435  
 D719,447 S \* 12/2014 Becker ..... D9/504  
 D750,492 S \* 3/2016 Campbell ..... D9/448  
 D766,084 S \* 9/2016 Jiang ..... D9/448  
 D782,309 S \* 3/2017 Jiang ..... D9/448

2005/0218164 A1 10/2005 Morris et al.  
 2006/0118658 A1 6/2006 Corkhill et al.  
 2007/0051754 A1 3/2007 Strand et al.  
 2007/0290007 A1 12/2007 Eberhardt  
 2008/0251543 A1 10/2008 Eberhardt et al.  
 2012/0037668 A1 2/2012 Bicknell et al.  
 2014/0183228 A1 7/2014 Decea et al.  
 2014/0231467 A1 8/2014 Betts et al.  
 2014/0291353 A1 10/2014 Betts et al.  
 2014/0299148 A1 10/2014 Betts et al.  
 2017/0341849 A1\* 11/2017 Wolak ..... B65D 83/38

FOREIGN PATENT DOCUMENTS

WO 2004020314 A1 2/2004  
 WO 2004078635 A2 9/2004  
 WO 2006058626 A1 3/2006  
 WO WO2006061099 A1 6/2006  
 WO 2007022422 A2 2/2007  
 WO 2008085896 A2 4/2008  
 WO 2010052168 A1 5/2010  
 WO 2013068190 A1 5/2013  
 WO 2013068191 A1 5/2013  
 WO 2013068219 A1 5/2013

\* cited by examiner

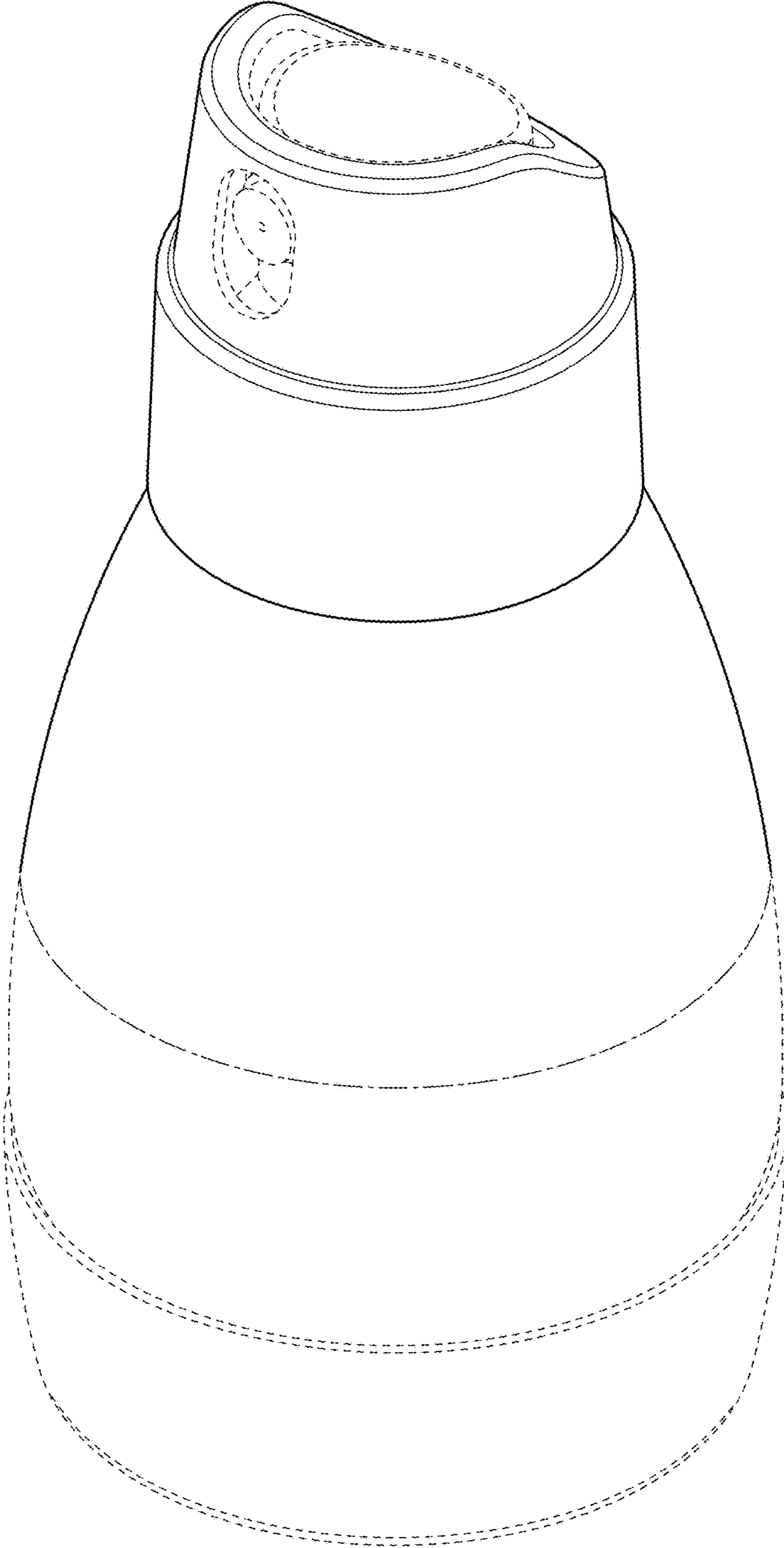


FIG. 1

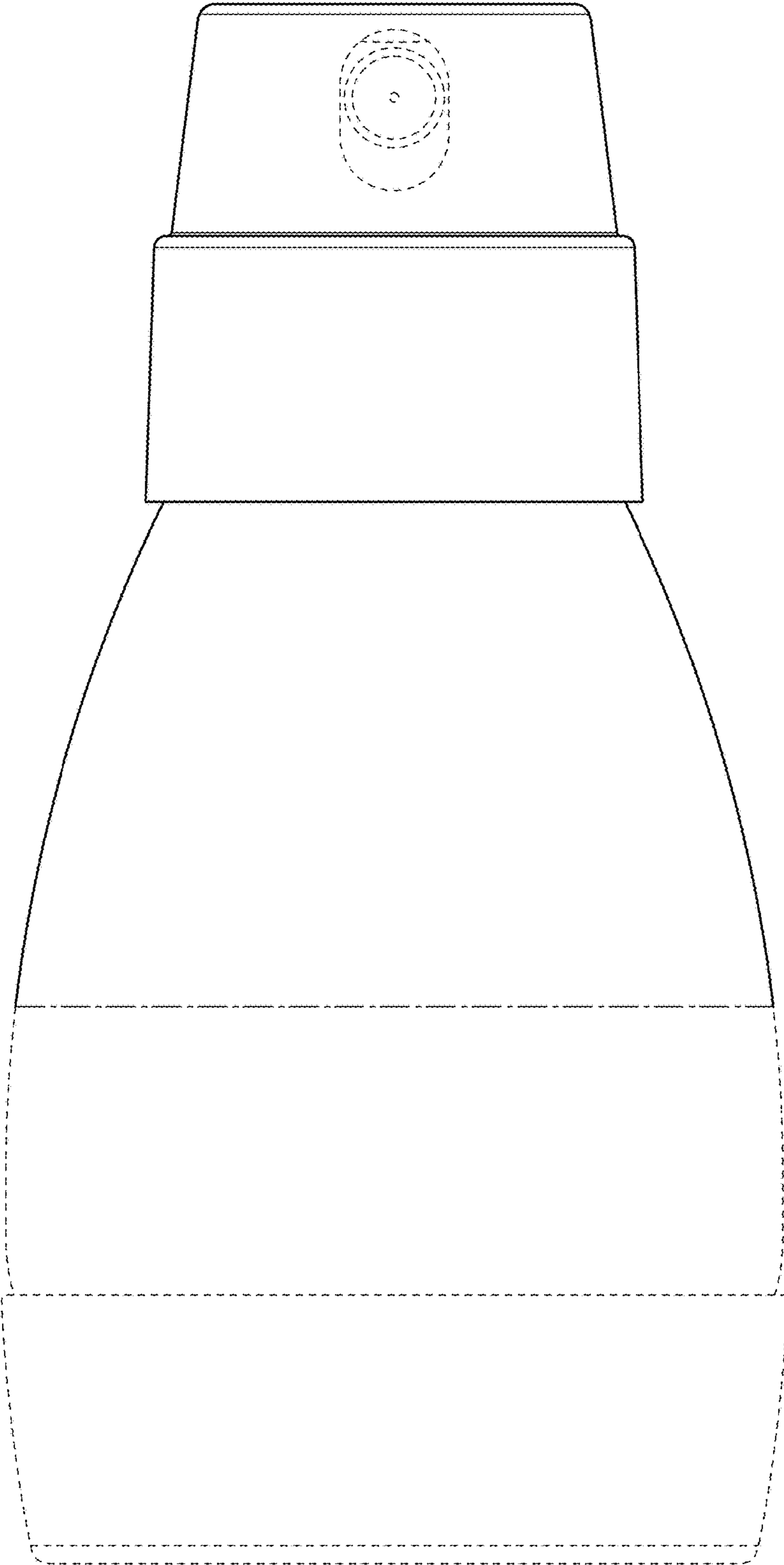


FIG. 2

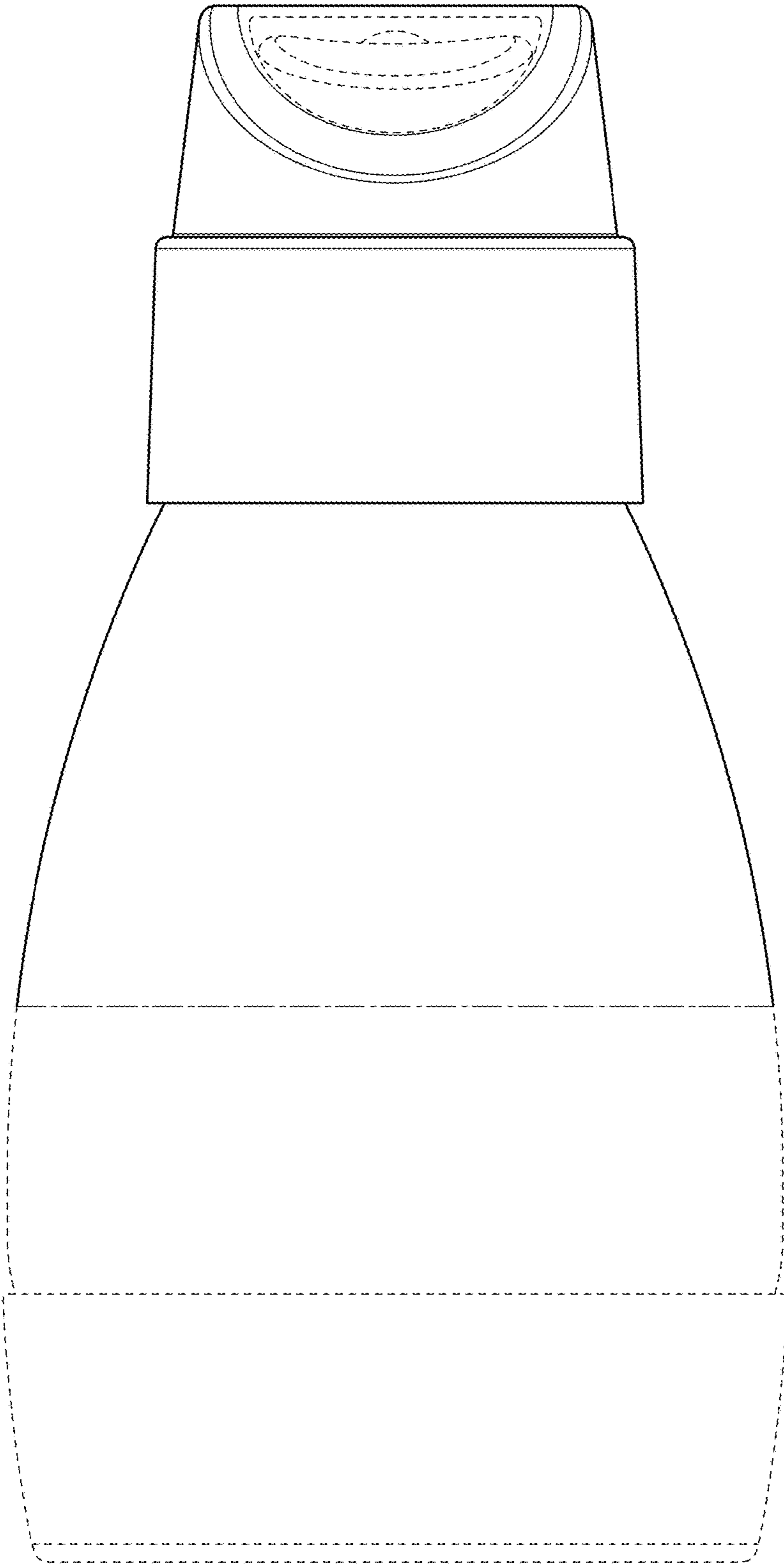


FIG. 3

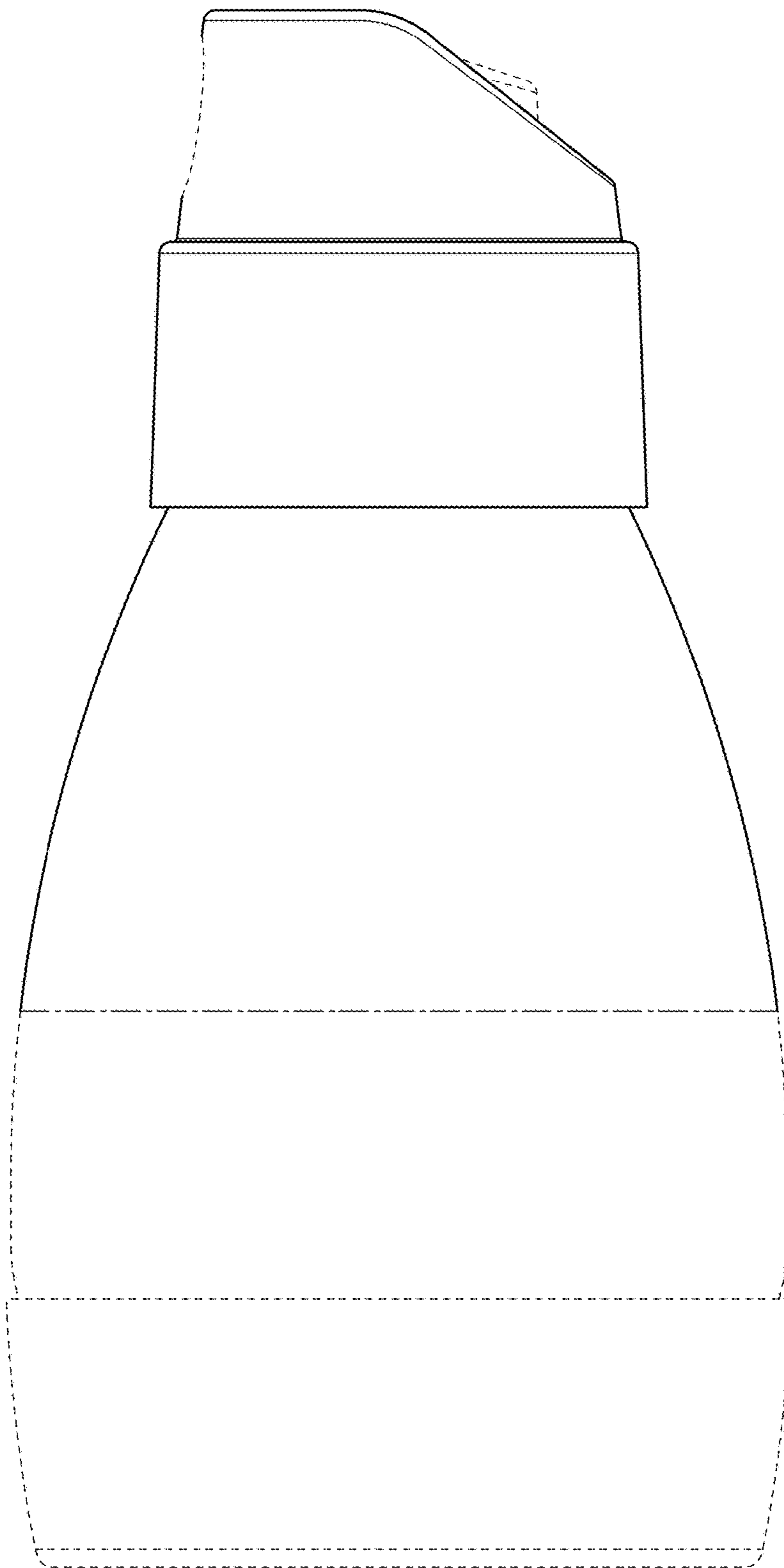


FIG. 4

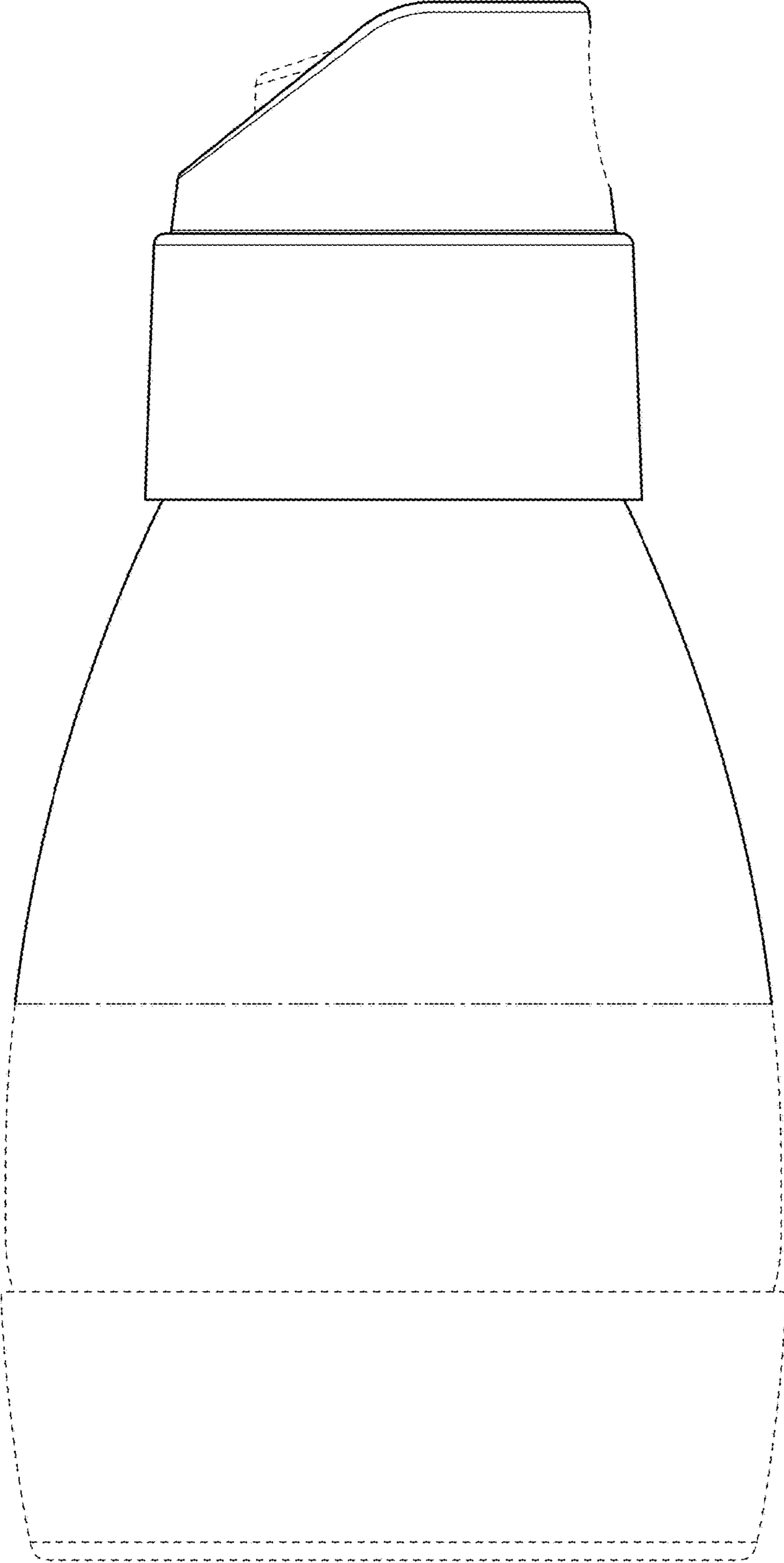


FIG. 5

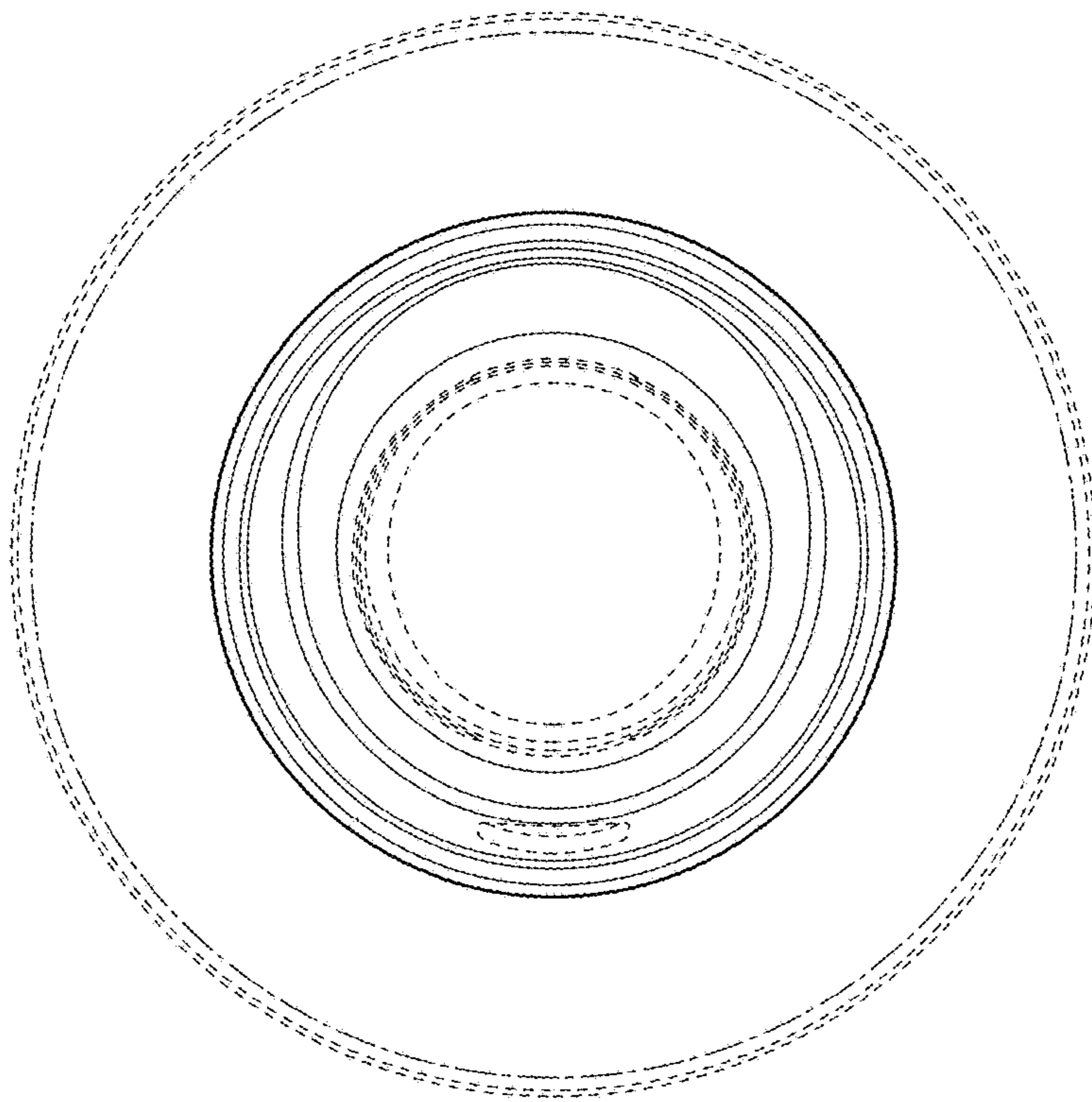


FIG. 6