



US00D829101S

(12) **United States Design Patent**  
**Spivey et al.**

(10) **Patent No.:** **US D829,101 S**

(45) **Date of Patent:** **\*\* Sep. 25, 2018**

(54) **HYDRO VESSEL WITH LID**

(71) Applicant: **Base Brands, LLC**, Atlanta, GA (US)

(72) Inventors: **Patrick Spivey**, Atlanta, GA (US);  
**Kenneth Kreaflle**, Atlanta, GA (US)

(73) Assignee: **Base Brands, LLC**, Atlanta, GA (US)

(\*\*) Term: **15 Years**

(21) Appl. No.: **29/575,822**

(22) Filed: **Aug. 29, 2016**

(51) **LOC (11) Cl.** ..... **09-07**

(52) **U.S. Cl.**  
USPC ..... **D9/503; D9/516; D9/435; D7/510;**  
**D7/511**

(58) **Field of Classification Search**  
USPC ..... **D9/434-436, 443, 452-454, 500-505,**  
**D9/516, 520, 529, 544-545, 549, 558,**  
(Continued)

(56) **References Cited**

**U.S. PATENT DOCUMENTS**

D26,065 S \* 9/1896 Jenkins ..... D9/500  
D35,414 S \* 12/1901 Lorenz ..... D9/772  
(Continued)

**OTHER PUBLICATIONS**

The Best Travel Coffee Mugs for Your Java Fix on the Go, date posted Jun. 27, 2017, site visited Feb. 20, 2018, Copyright © 2018, <<http://www.goodhousekeeping.com/travel-products/travel-coffee-mug-reviews/g785/best-travel-coffee-mugs/?slide=5>>.\*

*Primary Examiner* — Cathron C Brooks

*Assistant Examiner* — Sharon S Oum

(74) *Attorney, Agent, or Firm* — Park, Vaughan, Fleming & Dowler LLP

(57) **CLAIM**

The ornamental design for a hydro vessel with lid, as shown and described.

**DESCRIPTION**

FIG. 1 is a top perspective view of a first embodiment of a hydro vessel with lid showing our new design;

FIG. 2 is a top view thereof;

FIG. 3 is a bottom view thereof;

FIG. 4 is a front view thereof;

FIG. 5 is a back view thereof;

FIG. 6 is a left side view thereof;

FIG. 7 is a right side view thereof;

FIG. 8 is another front view thereof, but with a cross section cut-line;

FIG. 9 is a cross-section view thereof, taken along line 9-9 of FIG. 8;

FIG. 10 is an exploded top perspective;

FIG. 11 is a front view thereof;

FIG. 12 is a top perspective view of a second embodiment of a hydro vessel with lid showing our new design;

FIG. 13 is a top view thereof;

FIG. 14 is a bottom view thereof;

FIG. 15 is a front view thereof;

FIG. 16 is a back view thereof;

FIG. 17 is a left side view thereof;

FIG. 18 is a right side view thereof;

FIG. 19 is another front view thereof, but with a cross section cut-line;

FIG. 20 is a cross-section view thereof, taken along line 20-20 of FIG. 19;

FIG. 21 is an exploded top perspective;

FIG. 22 is a front view thereof;

FIG. 23 is a top perspective view of a third embodiment of a hydro vessel with lid showing our new design;

FIG. 24 is a top view thereof;

FIG. 25 is a bottom view thereof;

FIG. 26 is a front view thereof;

FIG. 27 is a back view thereof;

FIG. 28 is a left side view thereof;

FIG. 29 is a right side view thereof;

FIG. 30 is another front view thereof, but with a cross section cut-line;

(Continued)

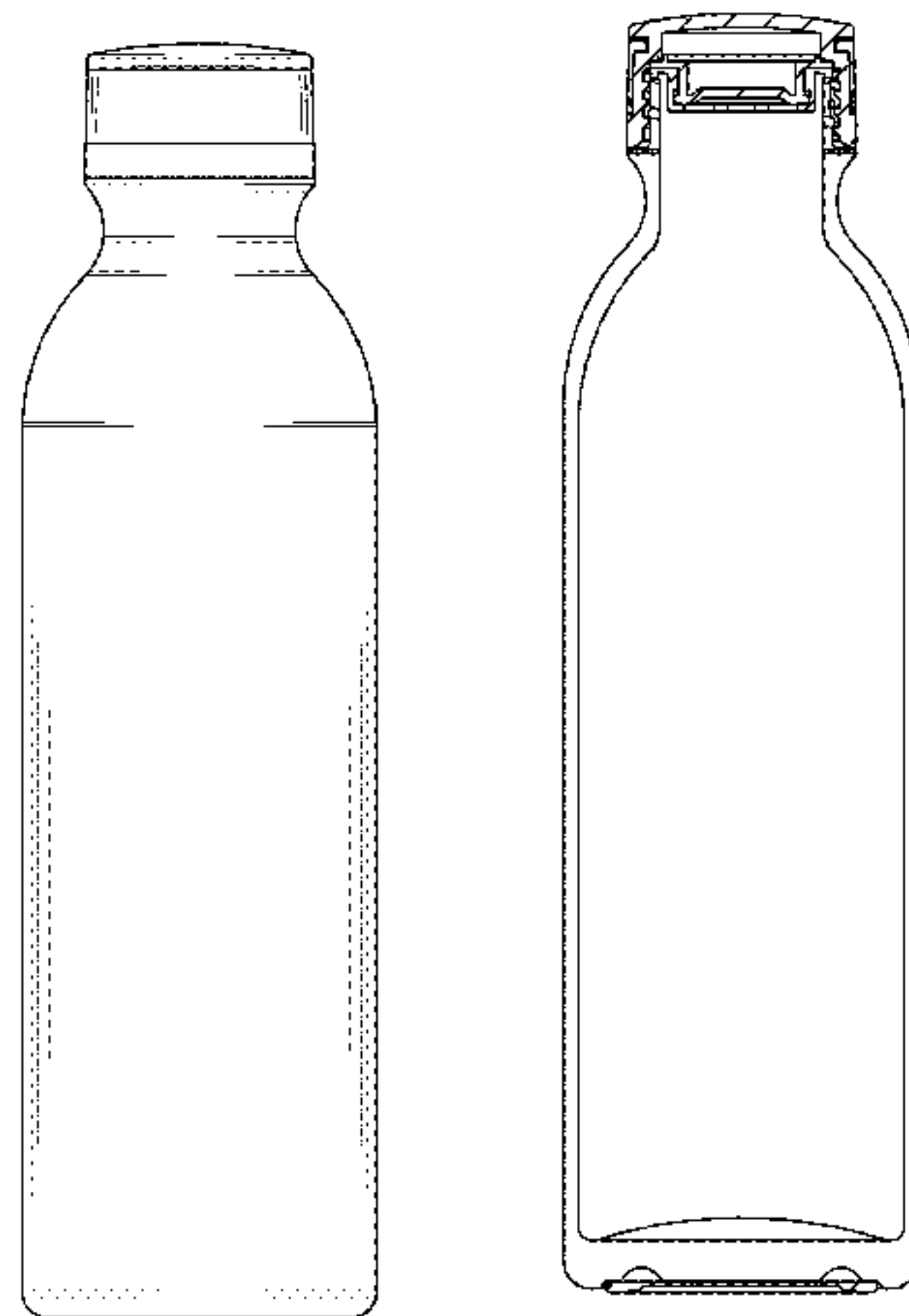


FIG. 31 is a cross-section view thereof, taken along line 31-31 of FIG. 30;

FIG. 32 is an exploded top perspective; and,  
FIG. 33 is a front view thereof.

**1 Claim, 18 Drawing Sheets**

(58) **Field of Classification Search**

USPC ..... D9/715, 719, 772, 449; D7/300, 300.1,  
D7/509, 598, 602, 619.1, 629, 605, 608,  
D7/510-511; D24/121, 197  
CPC ..... B65D 1/00; B65D 1/02; B65D 1/0223;  
B65D 1/10; B65D 2501/00; B65D  
2501/0009

See application file for complete search history.

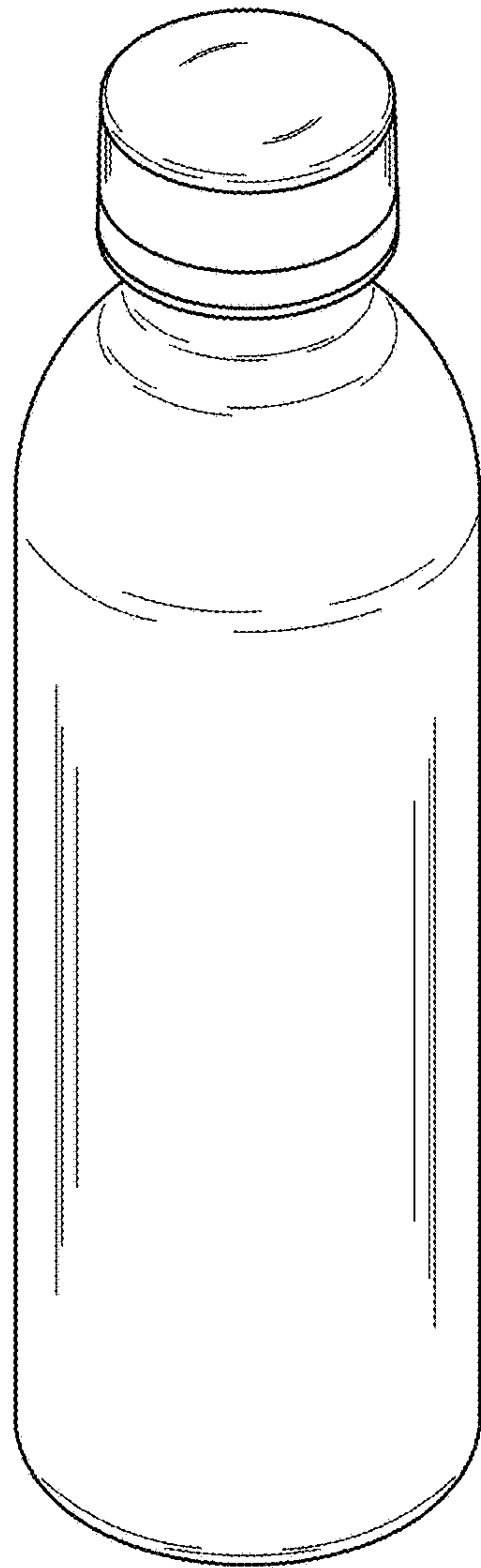
(56) **References Cited**

U.S. PATENT DOCUMENTS

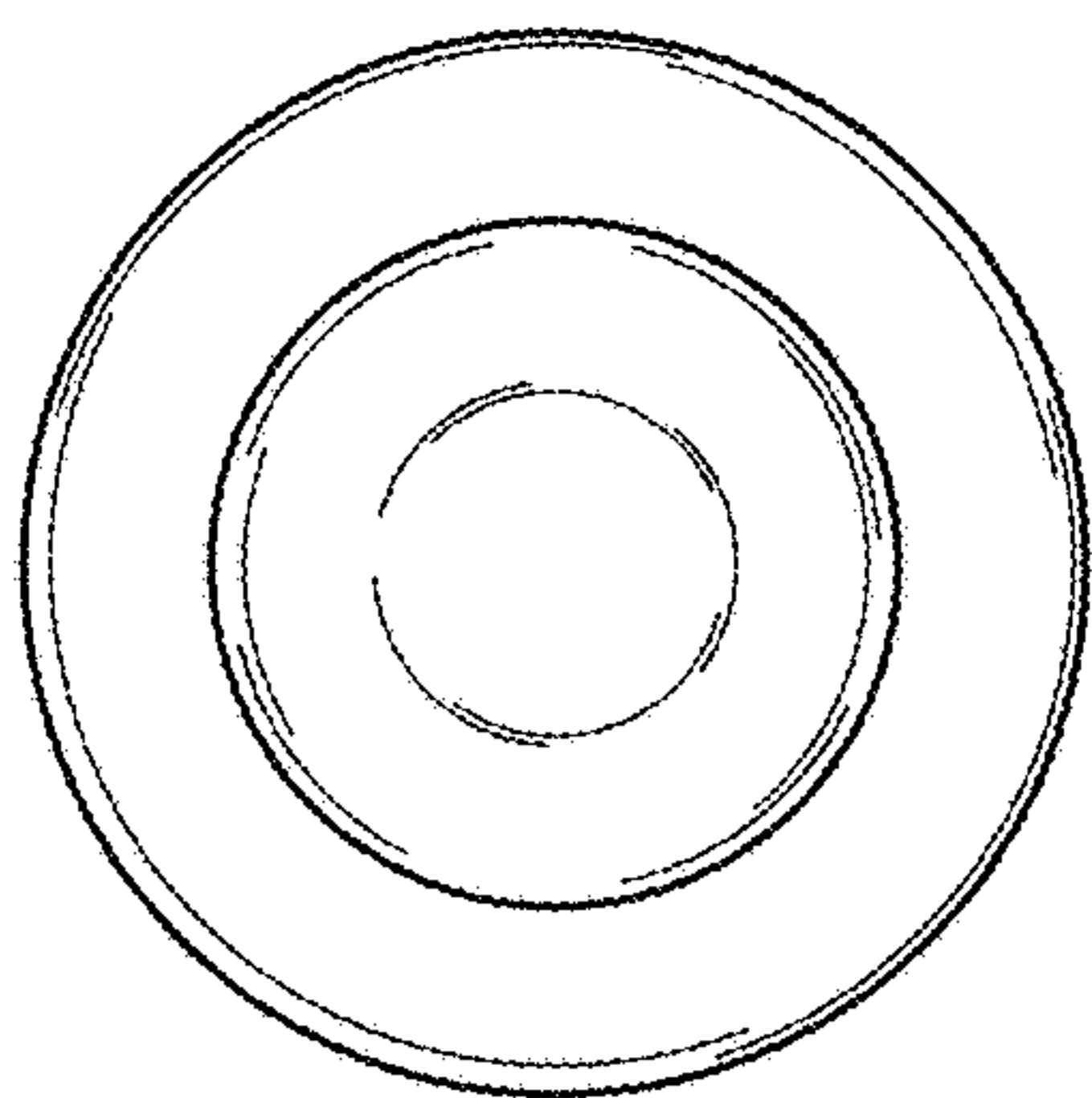
1,417,282 A \* 5/1922 Senio ..... B65D 51/04  
215/235  
2,487,728 A \* 11/1949 Quiring ..... B65D 50/067  
215/213  
3,426,931 A \* 2/1969 Jensen ..... B65D 50/04  
215/218  
3,445,021 A \* 5/1969 Johnson ..... B65D 55/145  
215/206  
3,591,768 A \* 7/1971 Torres ..... A45C 11/20  
206/543  
4,955,491 A \* 9/1990 Marshall ..... B29C 49/20  
215/12.1  
D423,300 S \* 4/2000 Matsuyama ..... D7/608  
D429,119 S \* 8/2000 Hurlbut ..... D7/608  
D441,650 S \* 5/2001 Salzburg ..... D9/434  
D460,356 S \* 7/2002 Koenig ..... D9/434  
D469,664 S \* 2/2003 Marks ..... D7/608

6,779,677 B2 \* 8/2004 Chupak ..... B65D 1/0207  
215/335  
D540,625 S \* 4/2007 Sandberg ..... D7/608  
D546,183 S \* 7/2007 Clutter ..... D9/500  
D553,254 S \* 10/2007 Colin ..... D24/224  
D581,809 S \* 12/2008 Wichowski ..... D9/504  
D596,500 S 7/2009 Diss  
D624,362 S \* 9/2010 Wahl ..... D7/392.1  
D624,417 S \* 9/2010 Bentley ..... D9/500  
D633,338 S \* 3/2011 Rosbach ..... D7/511  
D655,167 S \* 3/2012 Weber-Trinkfass ..... D9/454  
D695,138 S \* 12/2013 Ball ..... D9/435  
D695,616 S \* 12/2013 Li ..... D9/503  
D698,244 S 1/2014 Lin  
D699,516 S \* 2/2014 Kim ..... D7/510  
D702,092 S \* 4/2014 Mettler ..... D7/608  
D714,644 S 10/2014 Wagner  
D724,894 S 3/2015 Brosius  
D724,896 S \* 3/2015 Williams ..... D7/511  
D752,391 S \* 3/2016 Hatherell ..... D7/510  
D753,442 S \* 4/2016 Weernink ..... D7/507  
D774,826 S 12/2016 Boroski  
D776,564 S 1/2017 Seth-Andersson  
D785,454 S \* 5/2017 Dhillon ..... D9/500  
D787,939 S 5/2017 Lam  
D790,624 S 6/2017 Matsushita  
D796,331 S \* 9/2017 Eyal ..... D9/535  
D796,956 S \* 9/2017 Clark ..... D9/500  
D798,110 S 9/2017 Valenti  
D799,900 S \* 10/2017 Santos ..... D7/510  
D799,967 S \* 10/2017 Wade ..... D9/500  
D802,365 S 11/2017 Yao  
D803,064 S 11/2017 Marina  
D804,906 S \* 12/2017 Diener ..... D7/510  
D808,733 S \* 1/2018 Spivey ..... D7/608  
D811,818 S \* 3/2018 Wu ..... D7/510  
D812,428 S \* 3/2018 Wu ..... D7/510  
2013/0256310 A1 \* 10/2013 Hojo ..... B65D 1/40  
220/361  
2017/0283160 A1 \* 10/2017 Allen ..... B65D 85/70

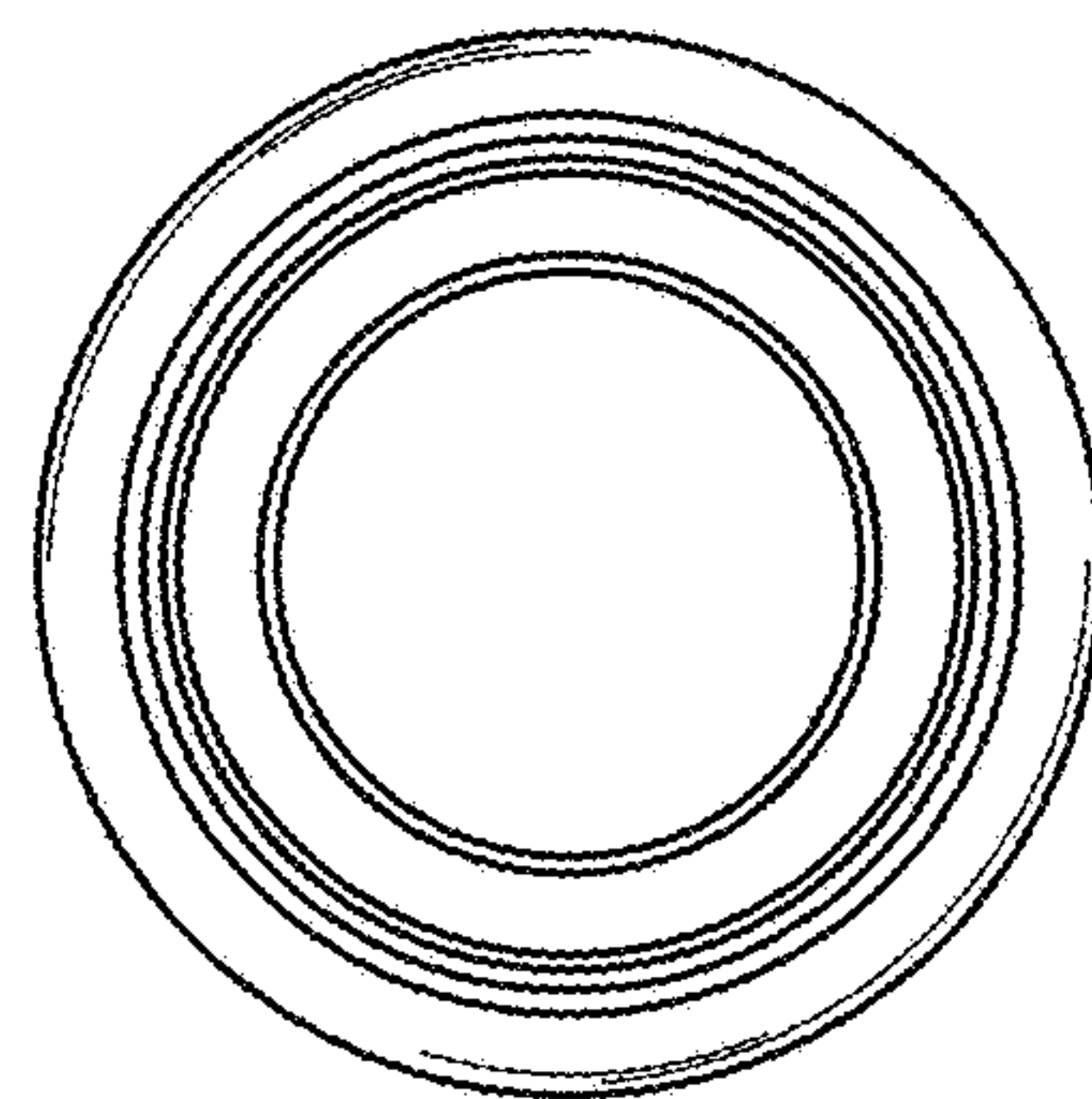
\* cited by examiner



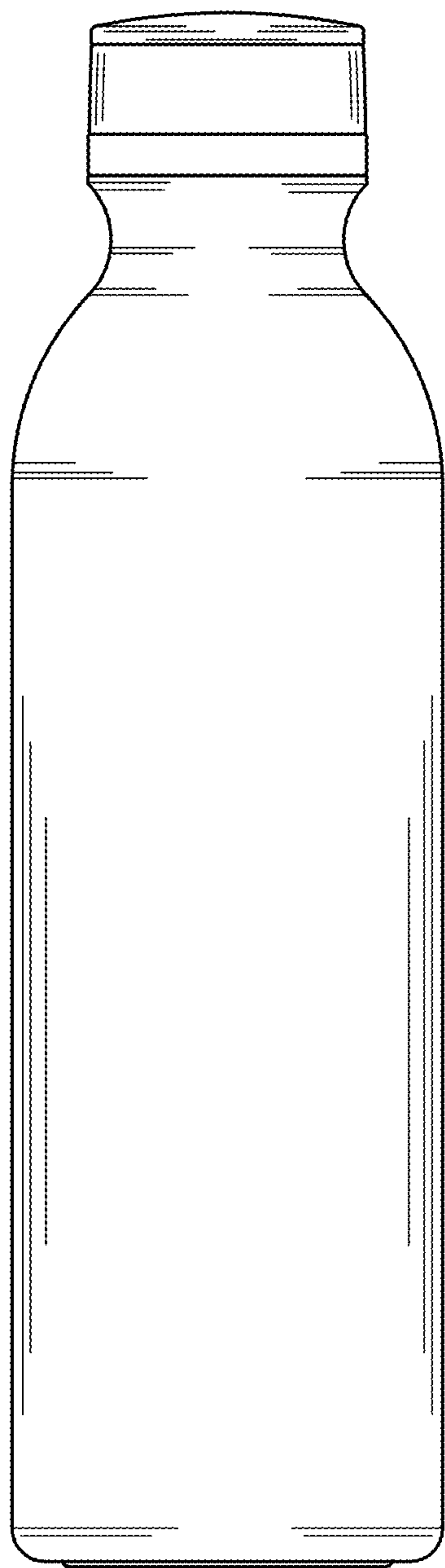
**FIG. 1**



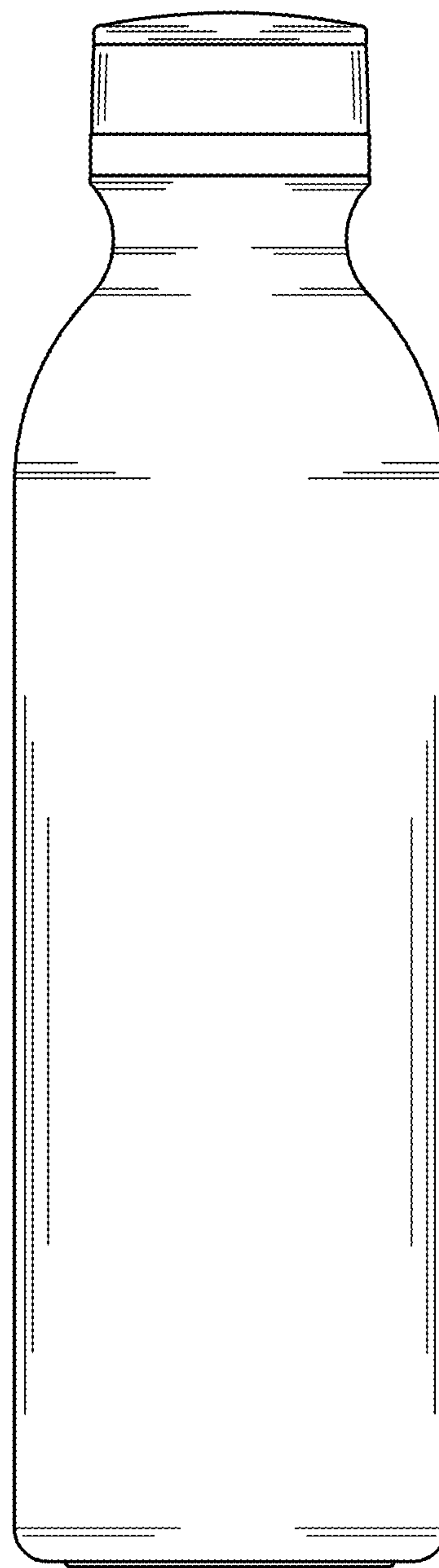
**FIG. 2**



**FIG. 3**

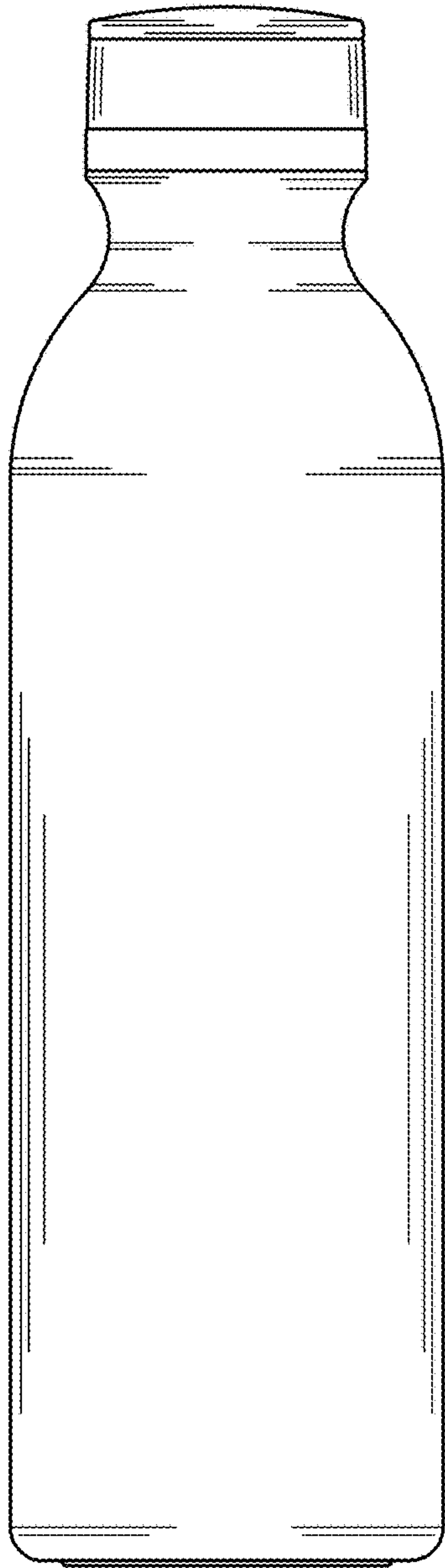


**FIG. 4**

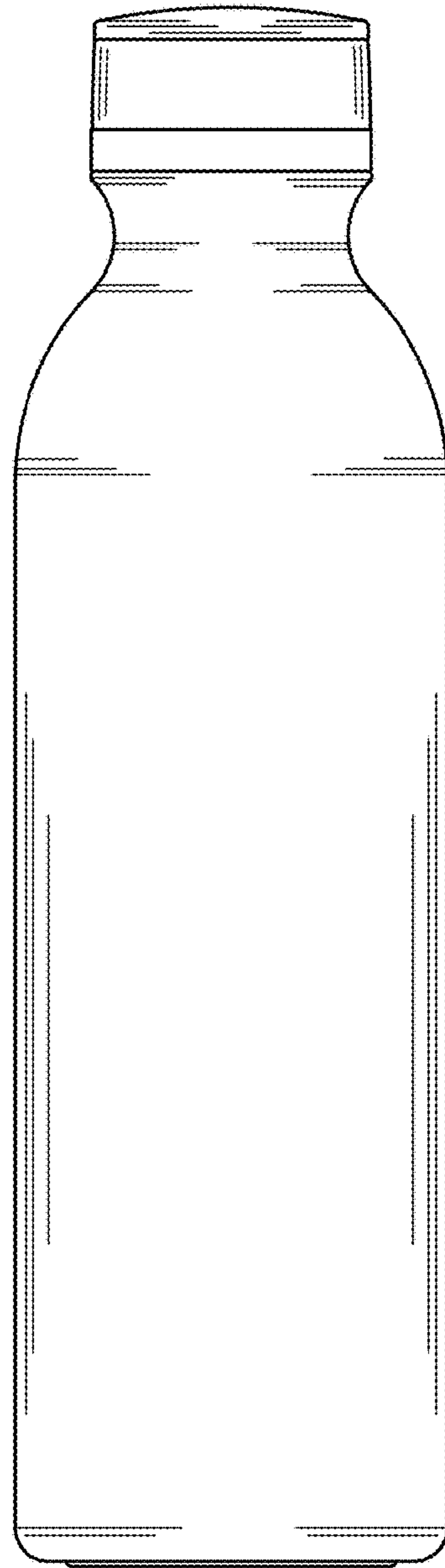


**FIG. 5**





**FIG. 6**



**FIG. 7**

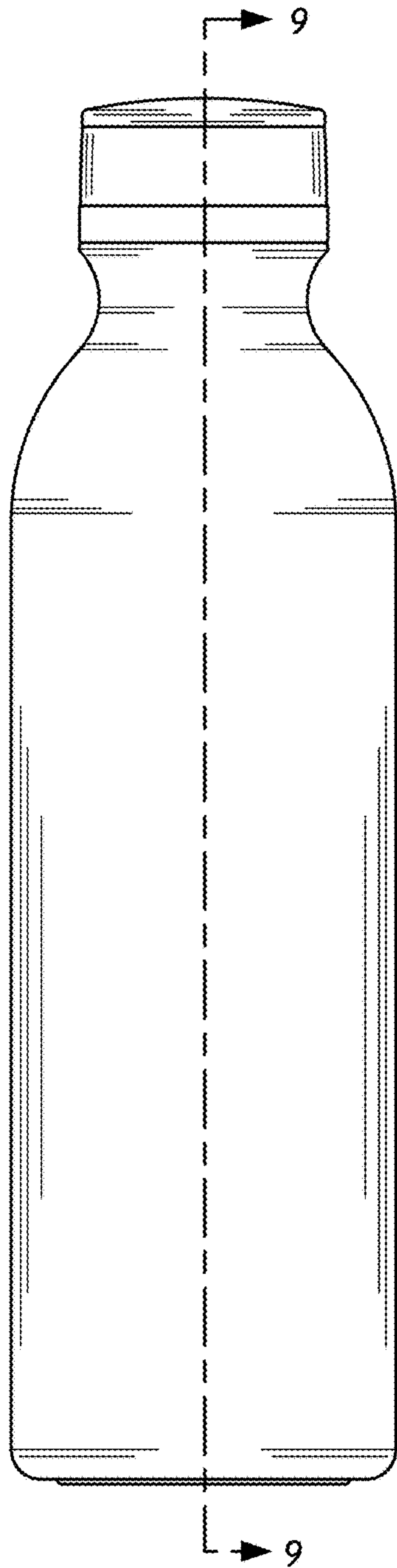


FIG. 8

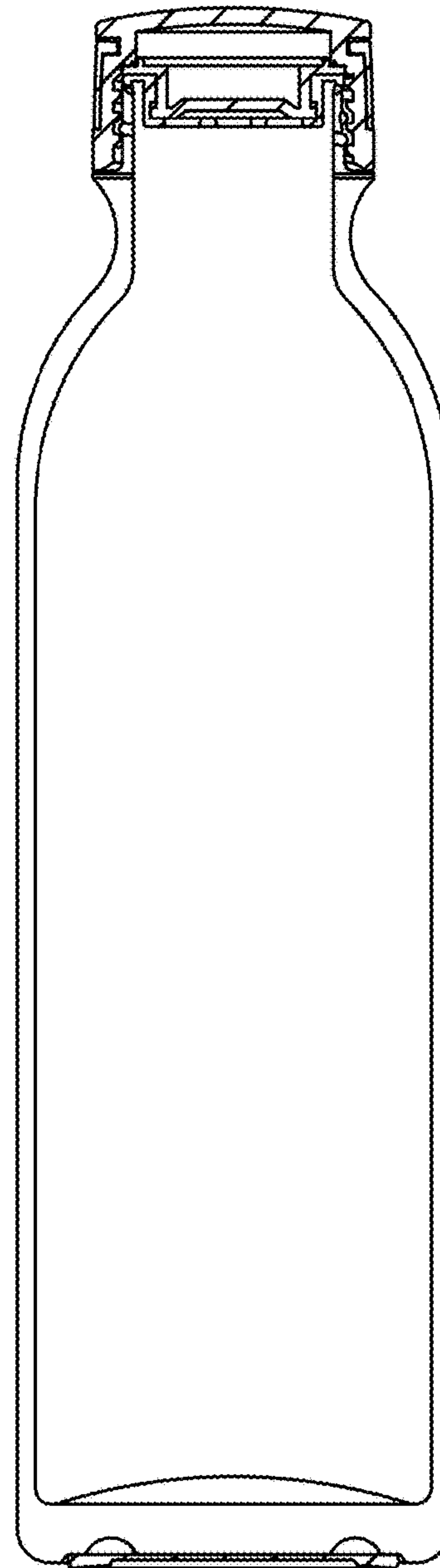
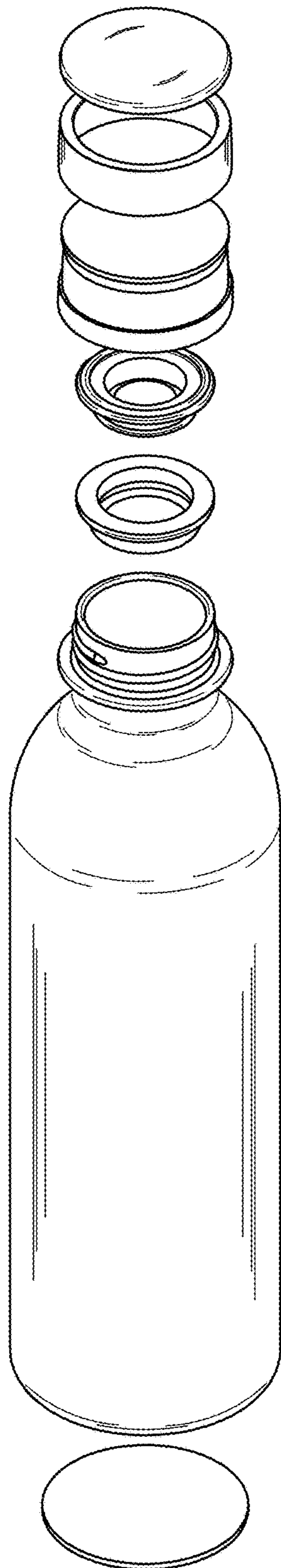
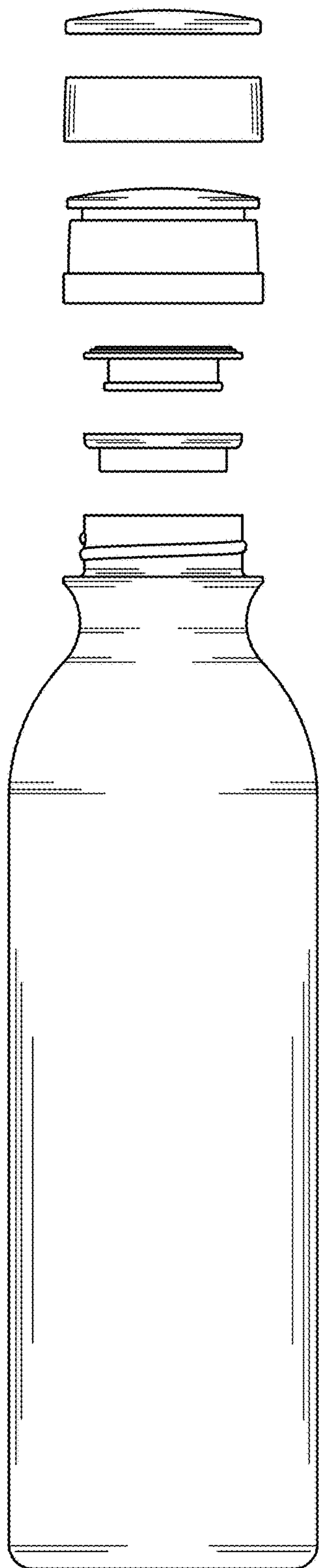


FIG. 9

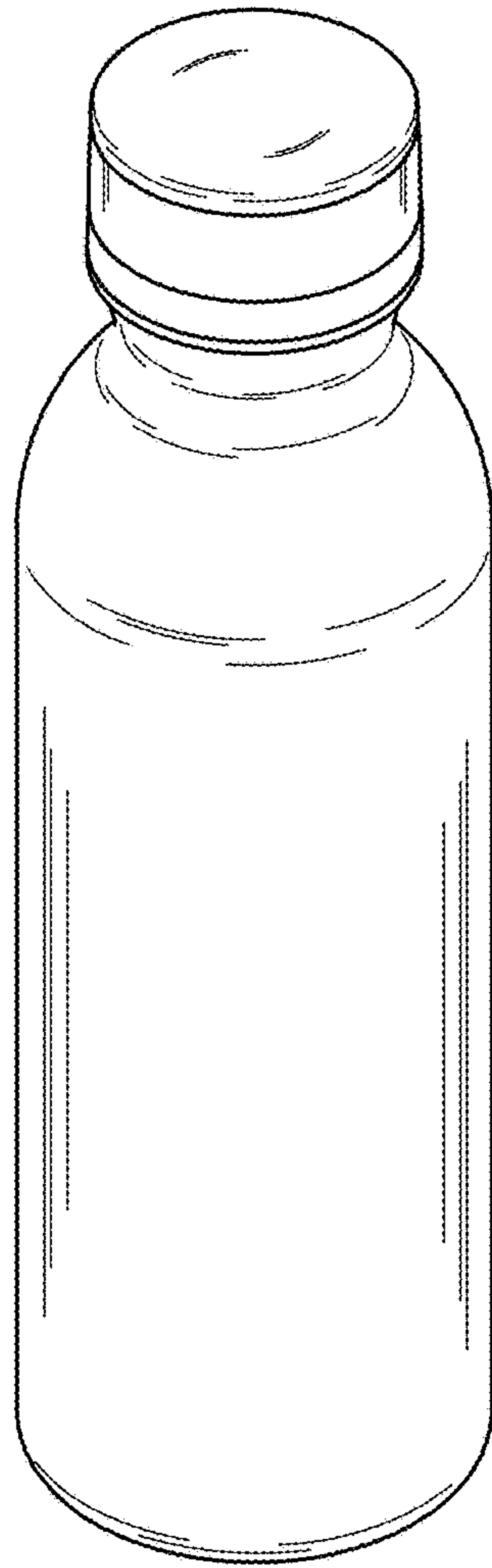


**FIG. 10**

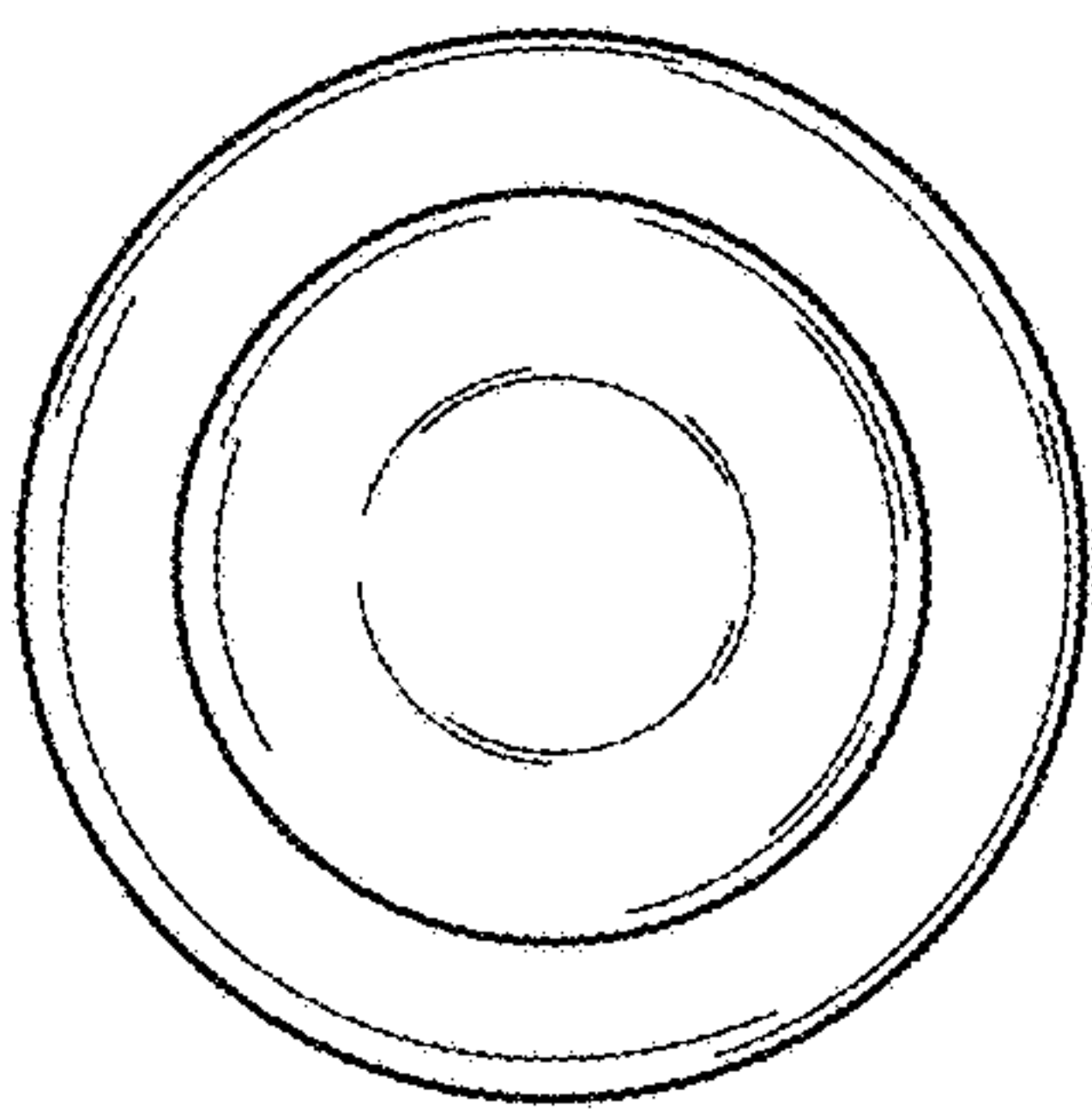


**FIG. 11**

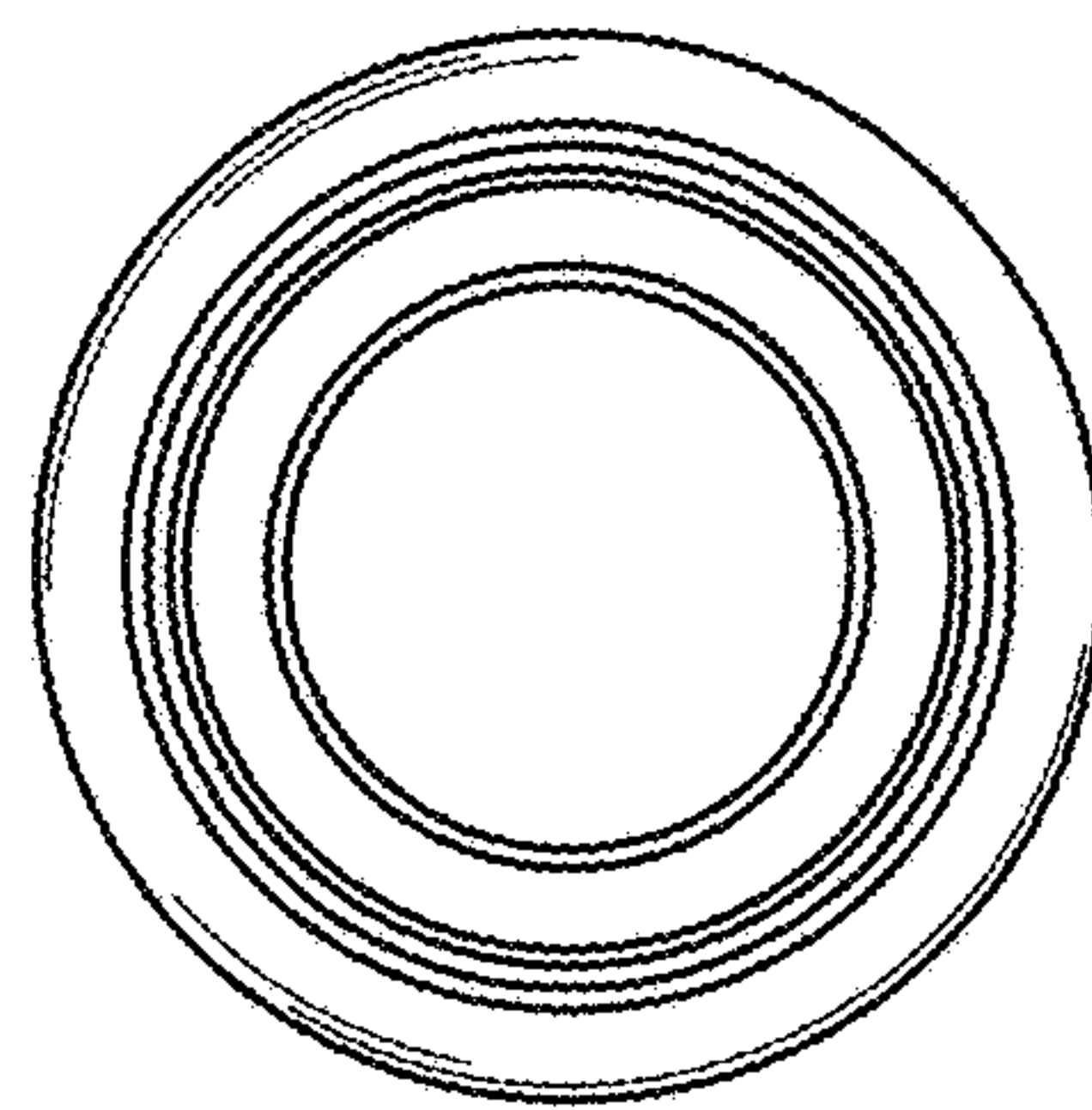




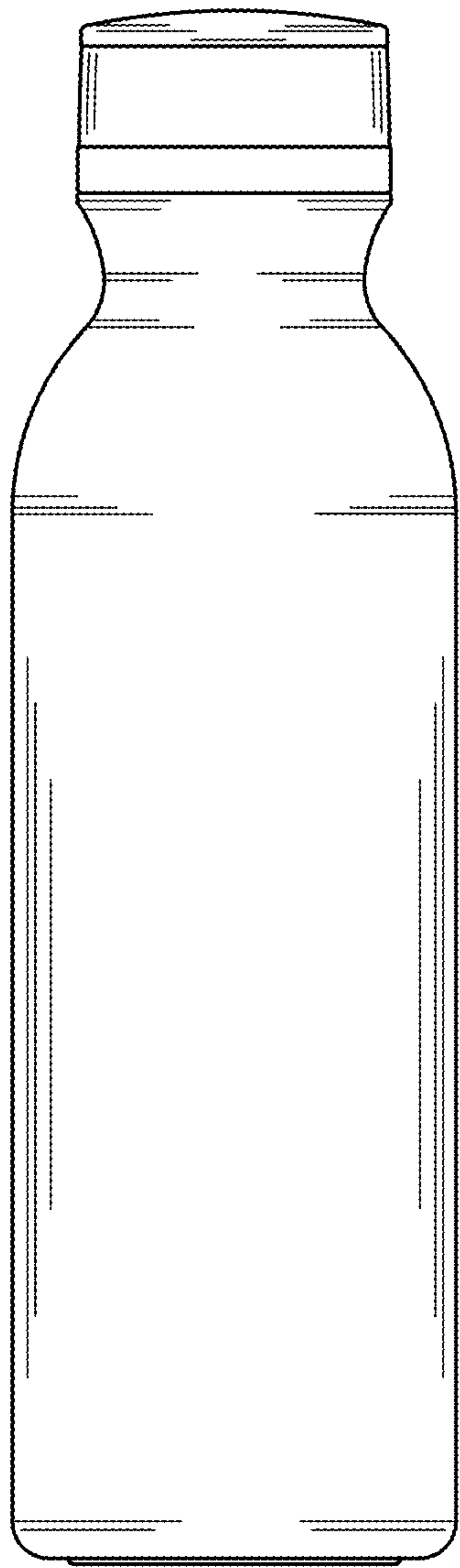
**FIG. 12**



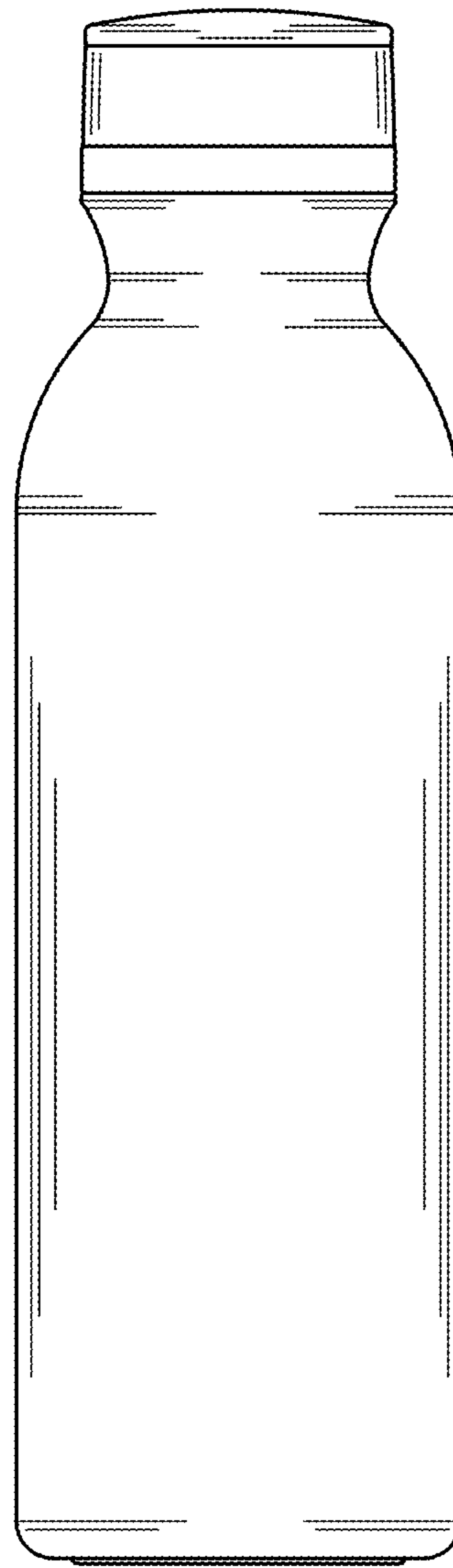
**FIG. 13**



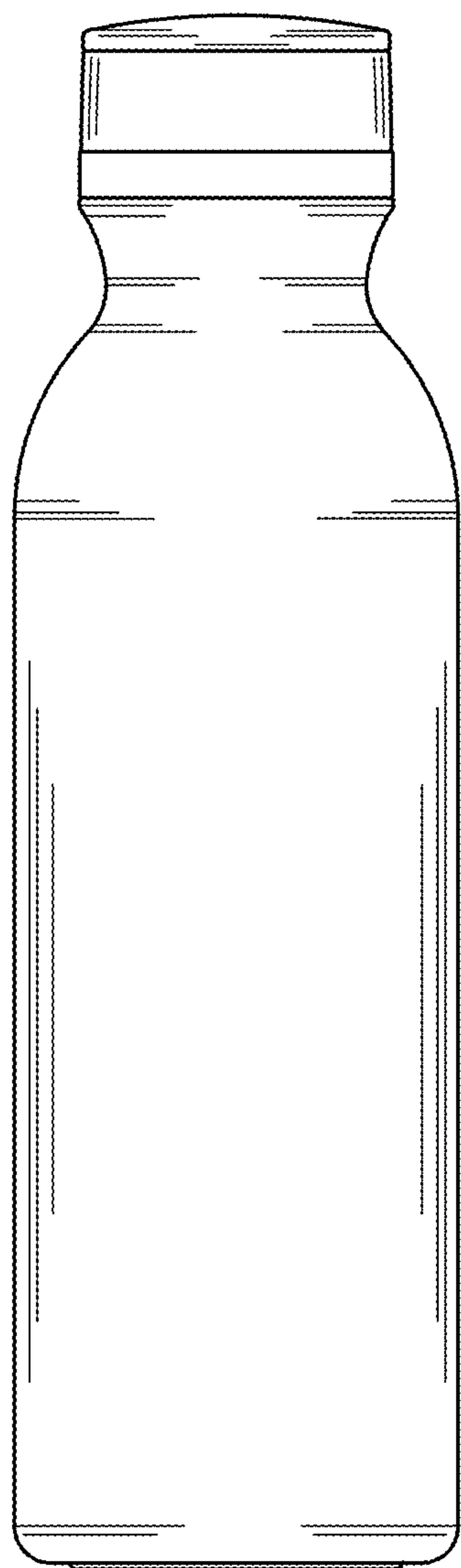
**FIG. 14**



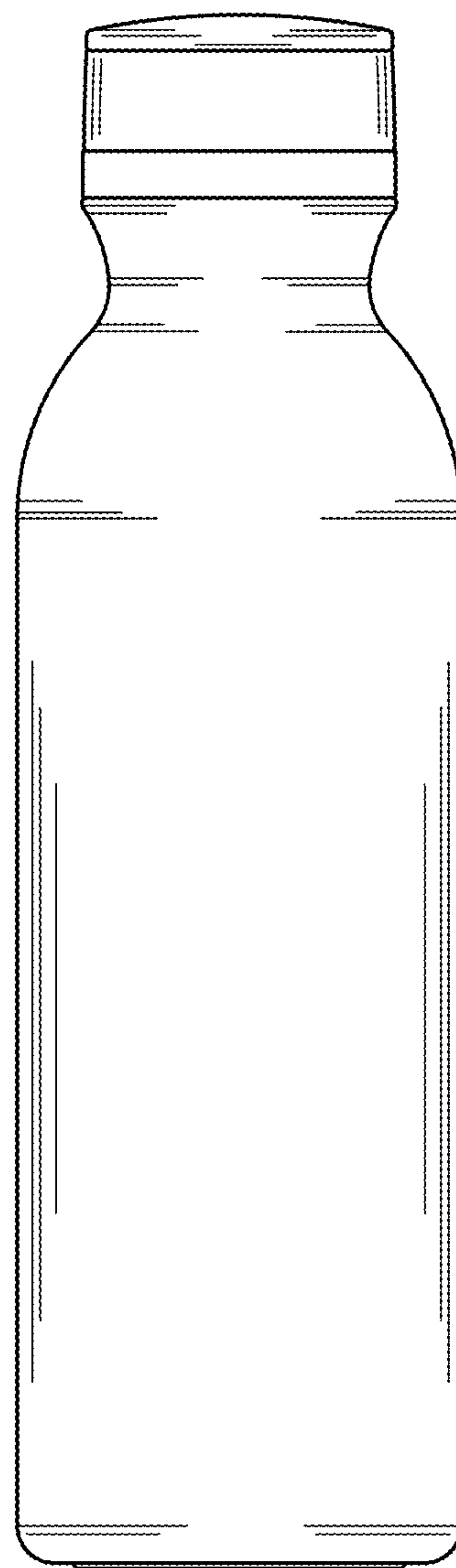
**FIG. 15**



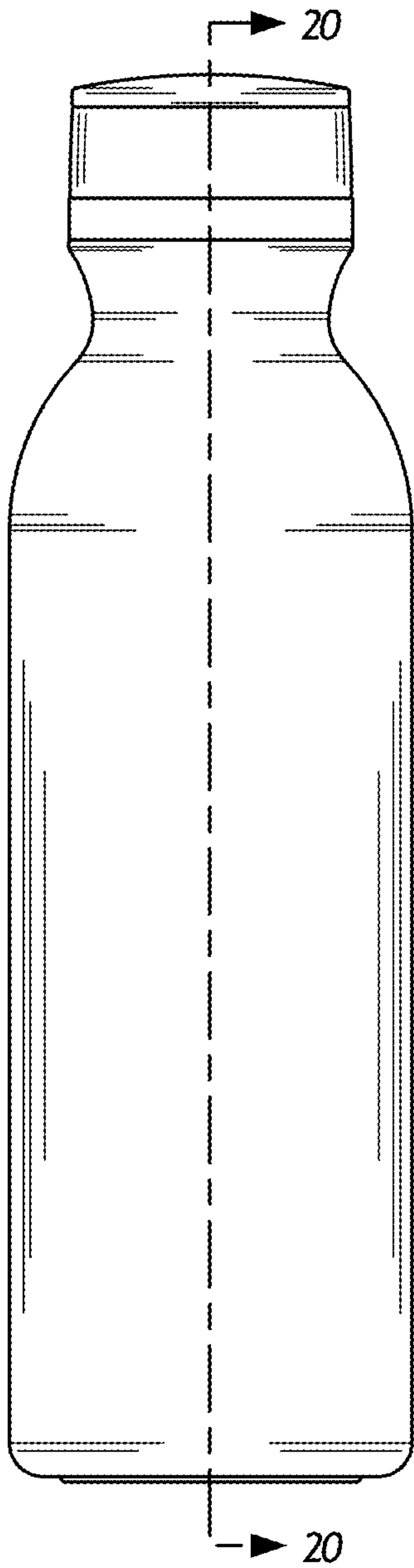
**FIG. 16**



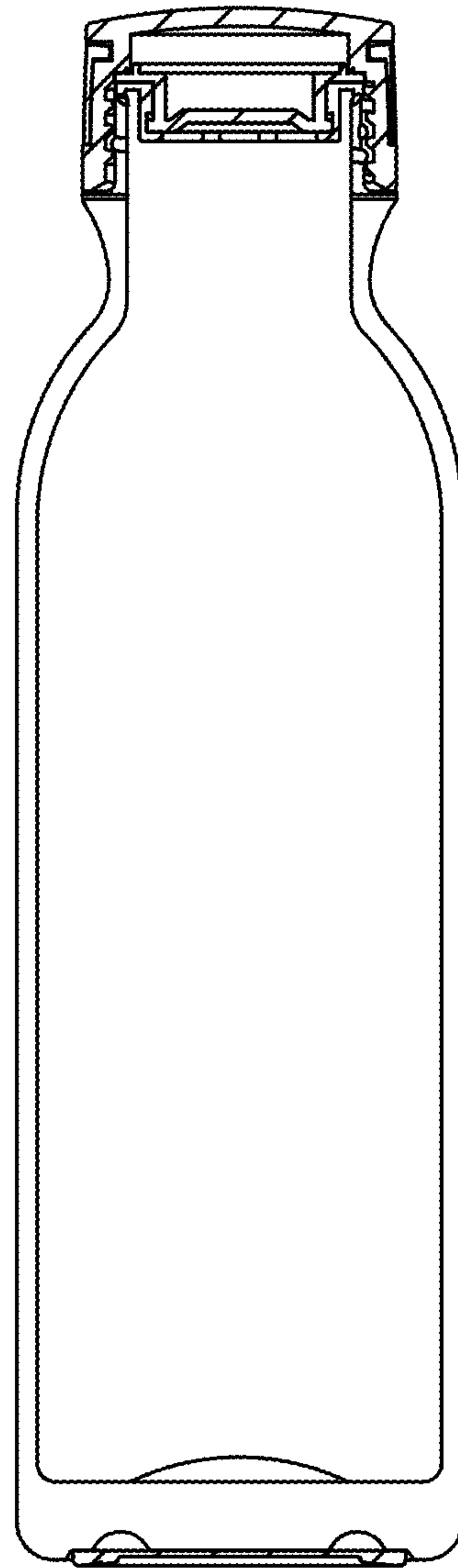
**FIG. 17**



**FIG. 18**



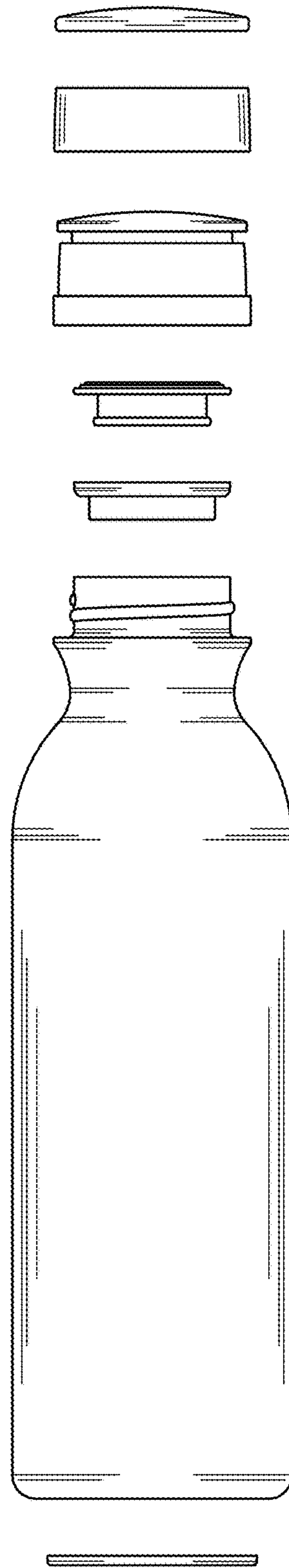
**FIG. 19**



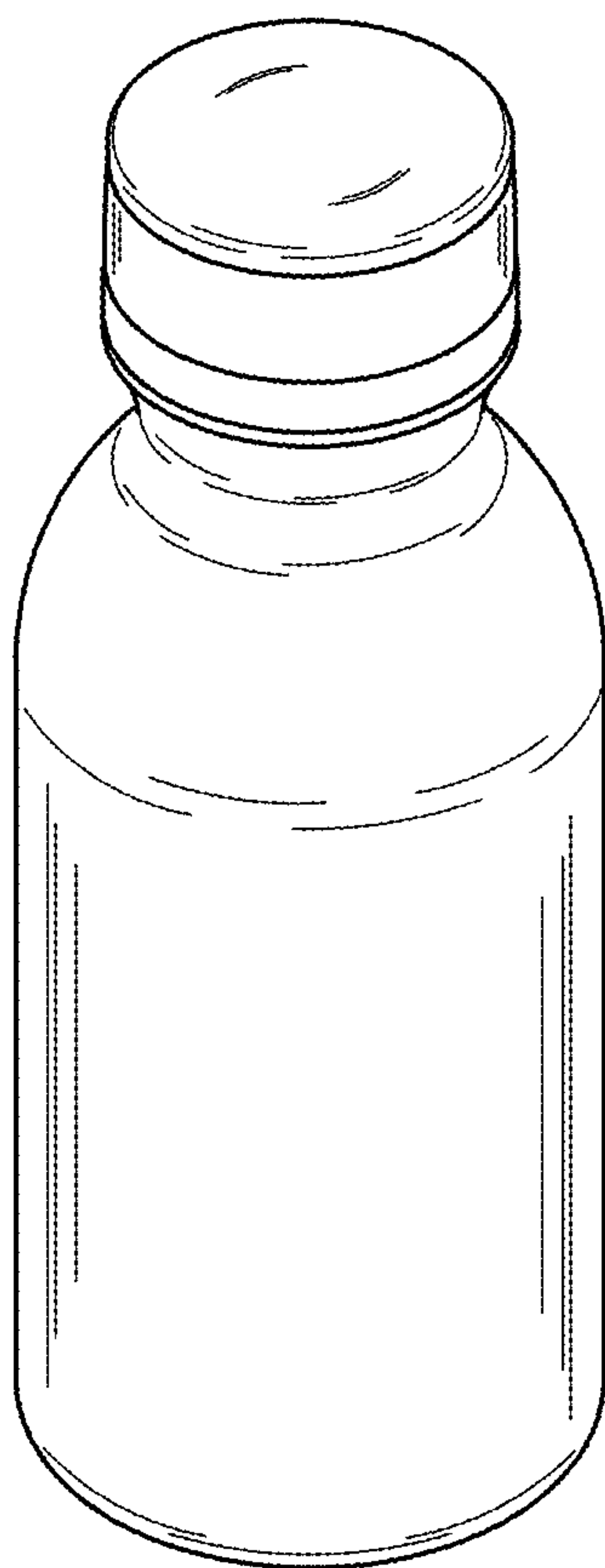
**FIG. 20**



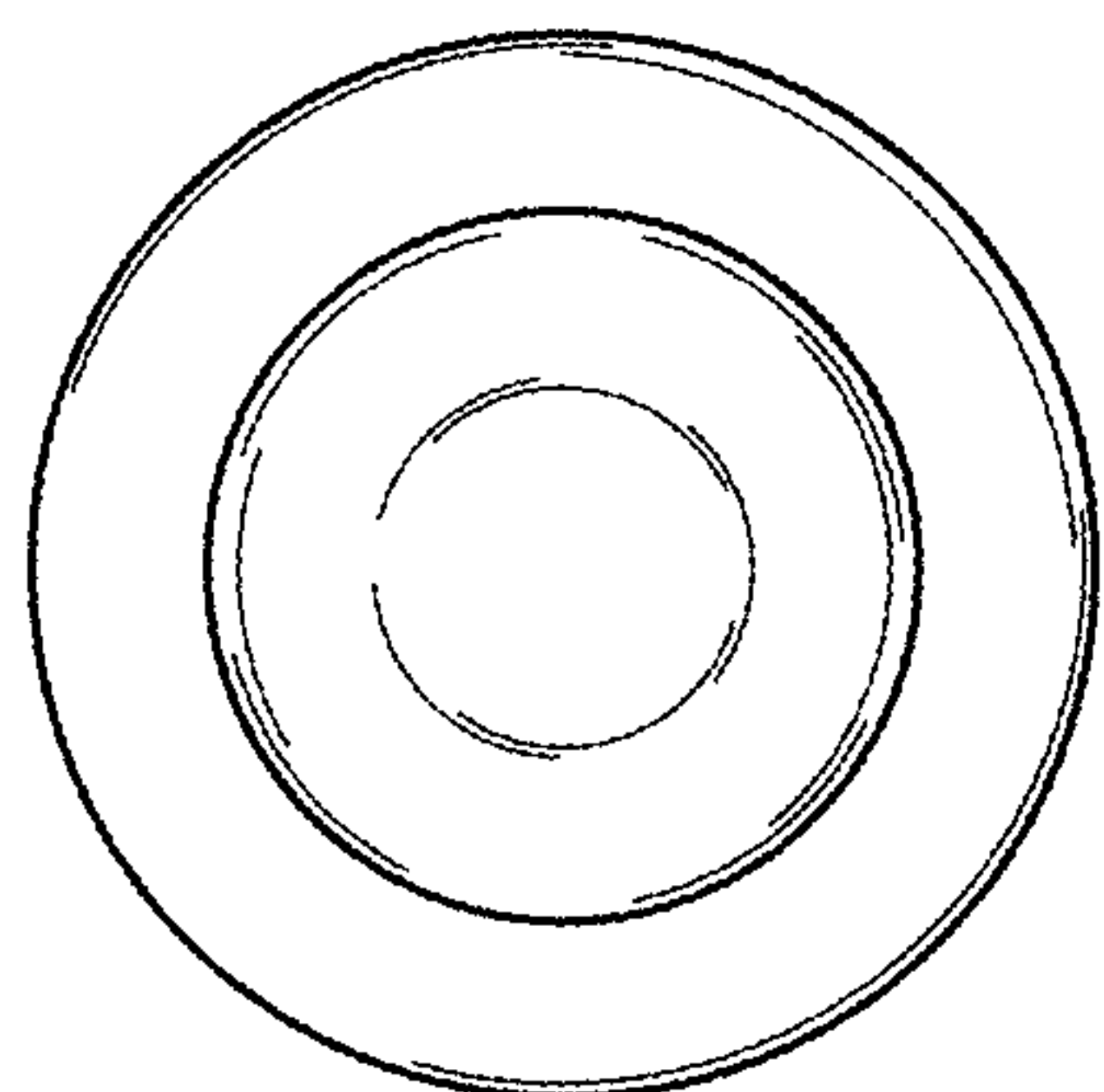




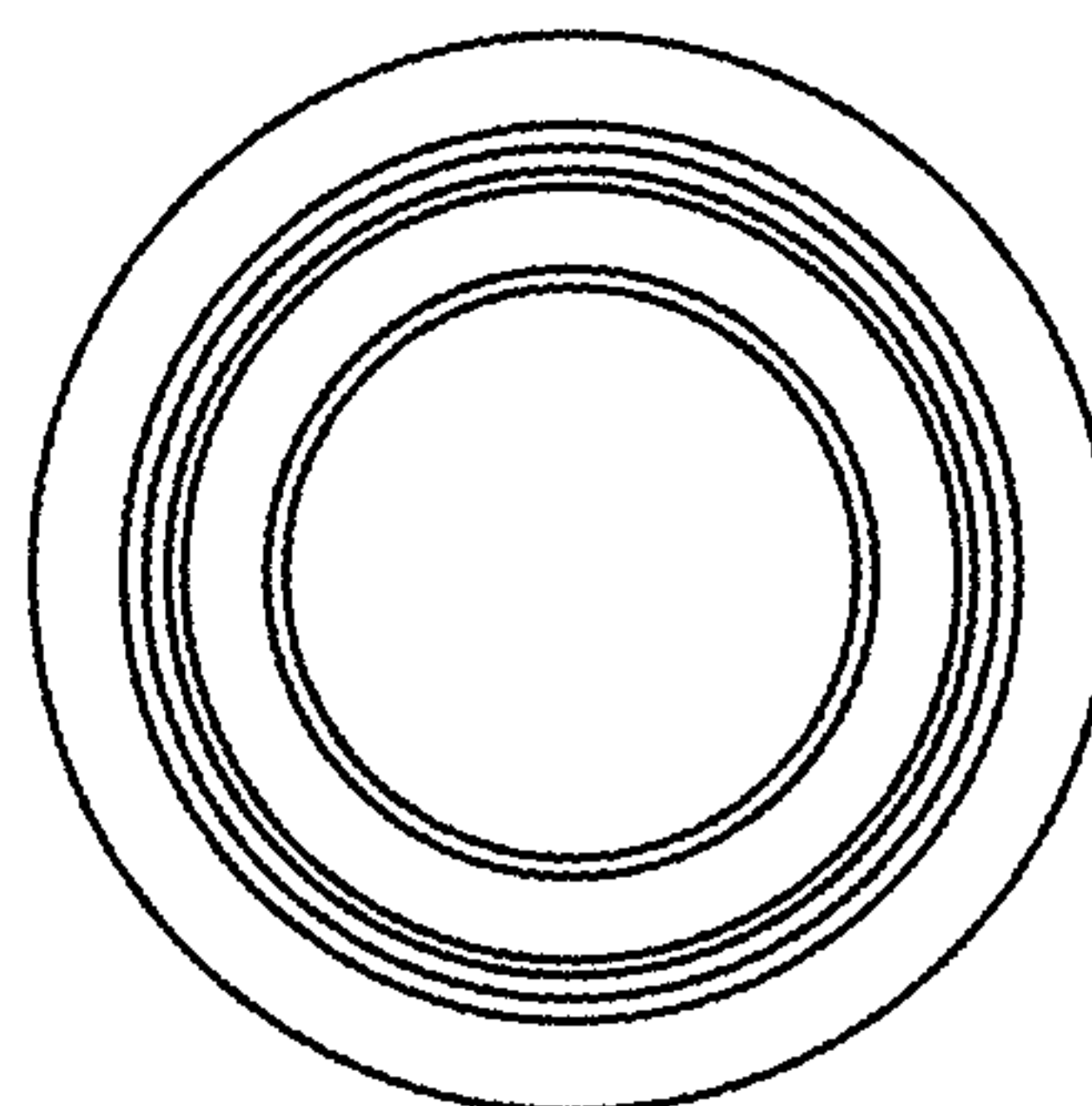
**FIG. 22**



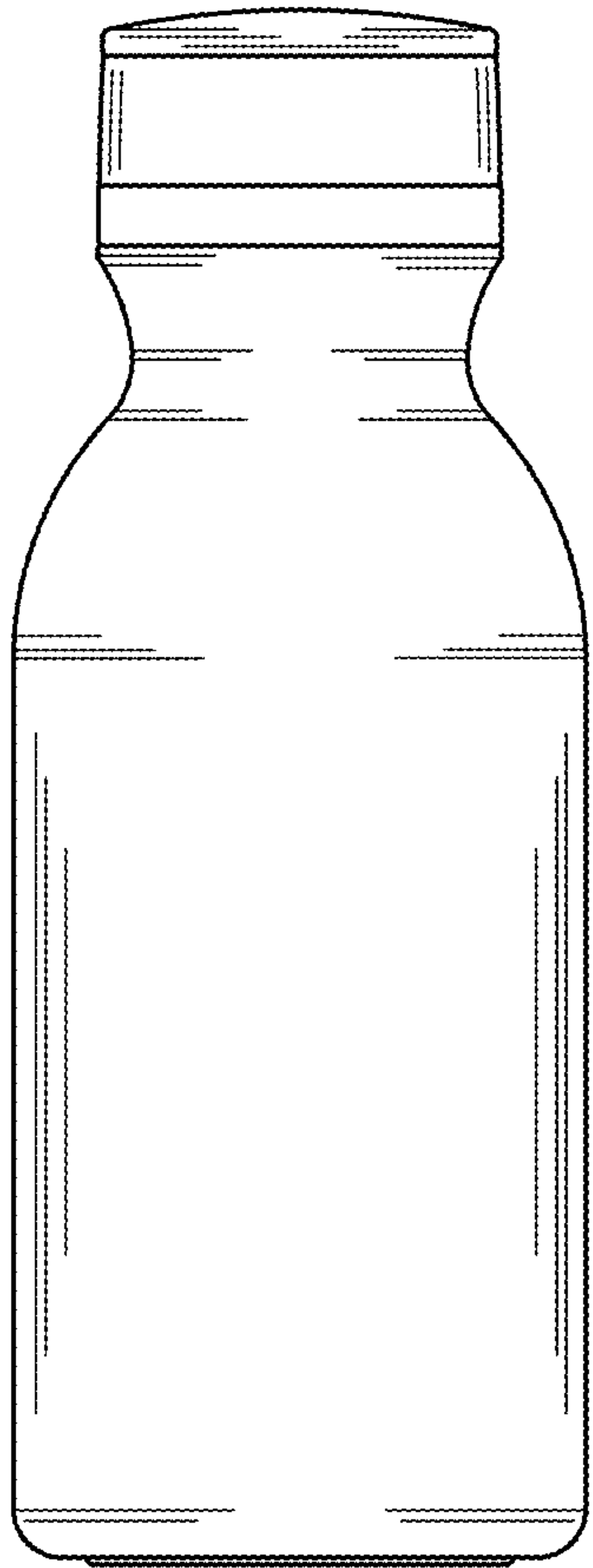
**FIG. 23**



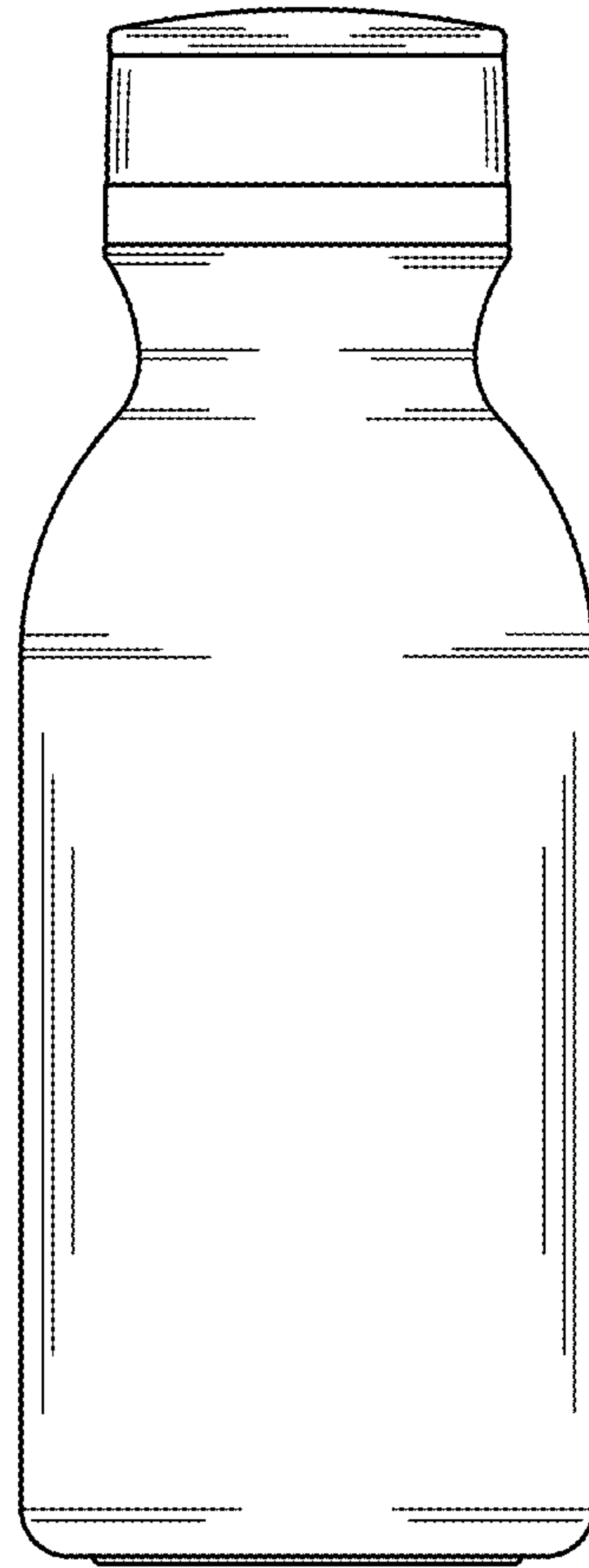
**FIG. 24**



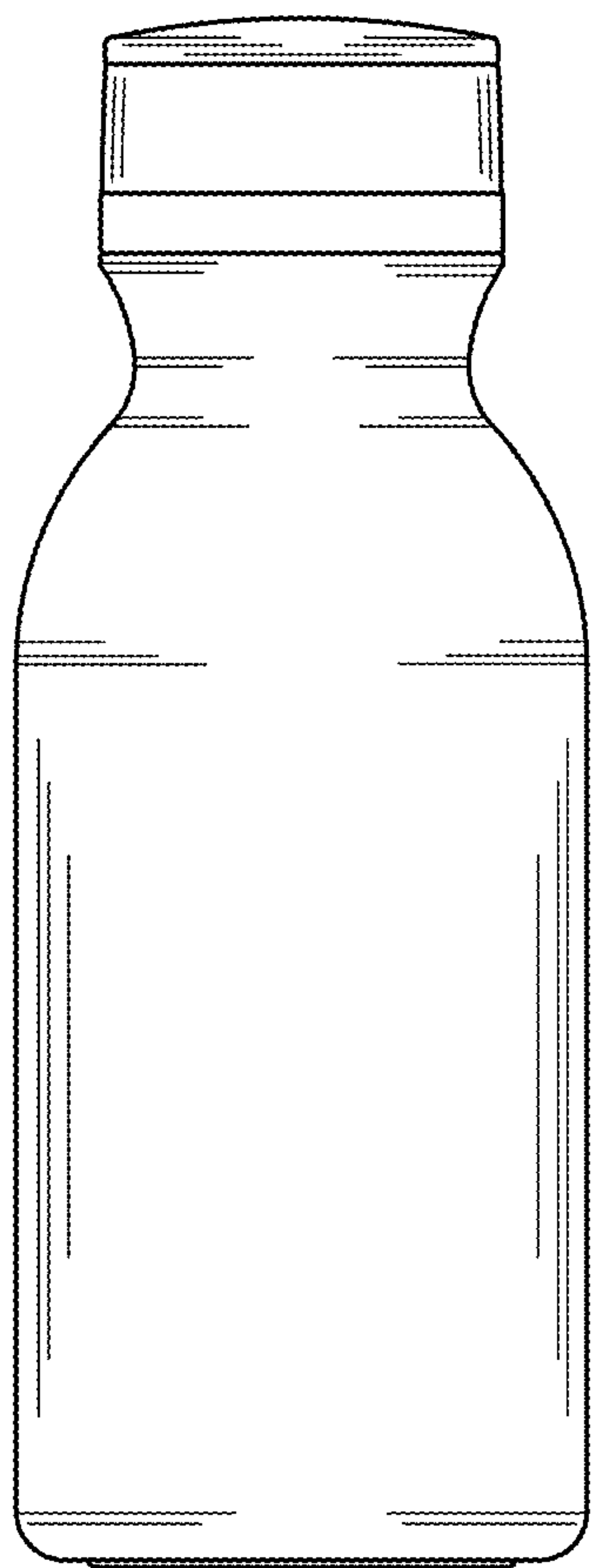
**FIG. 25**



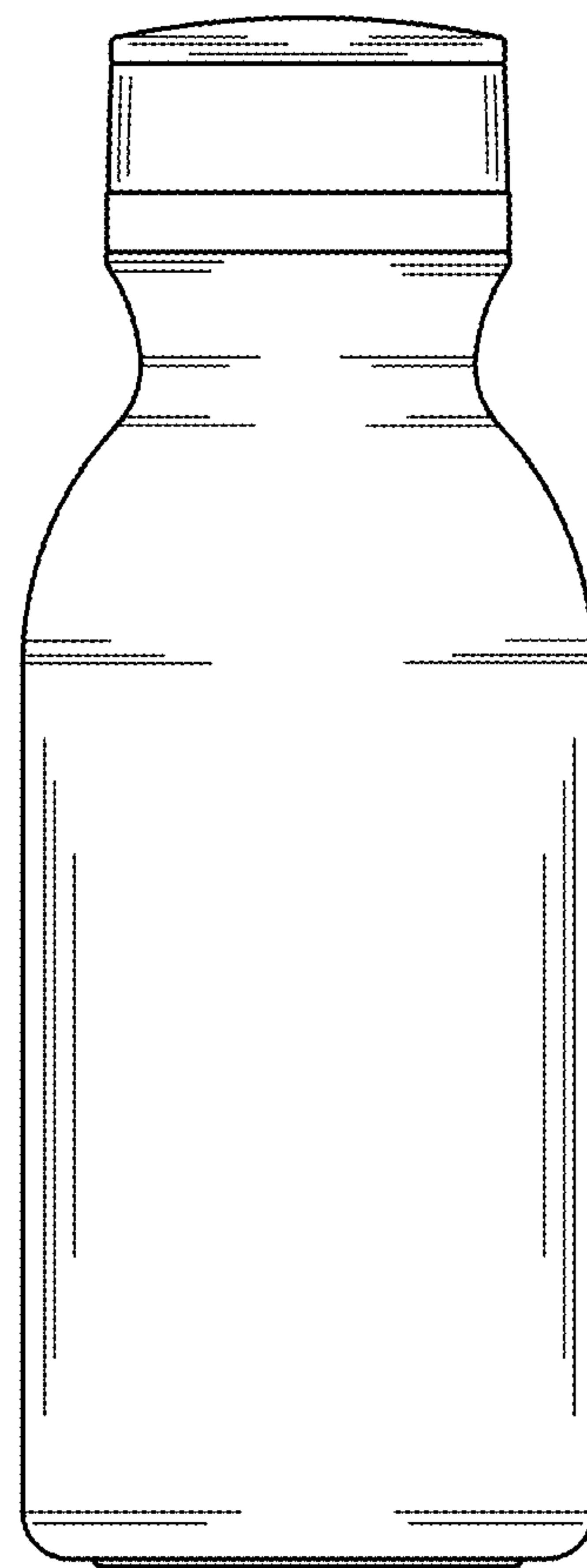
**FIG. 26**



**FIG. 27**



**FIG. 28**



**FIG. 29**

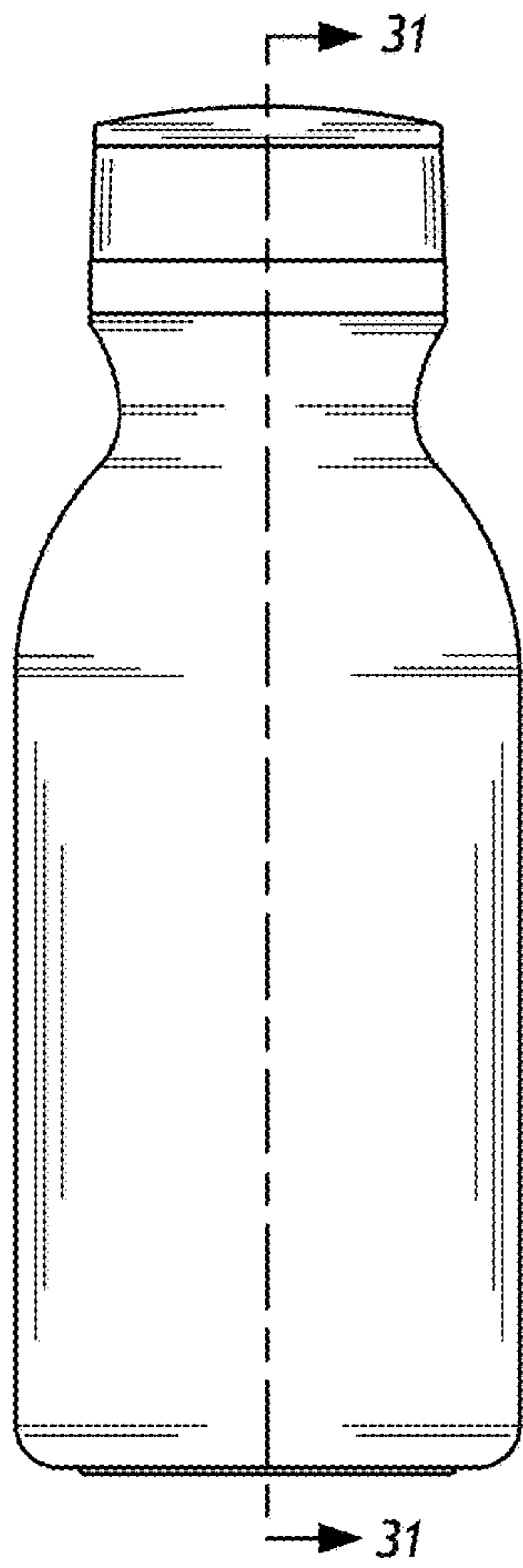


FIG. 30

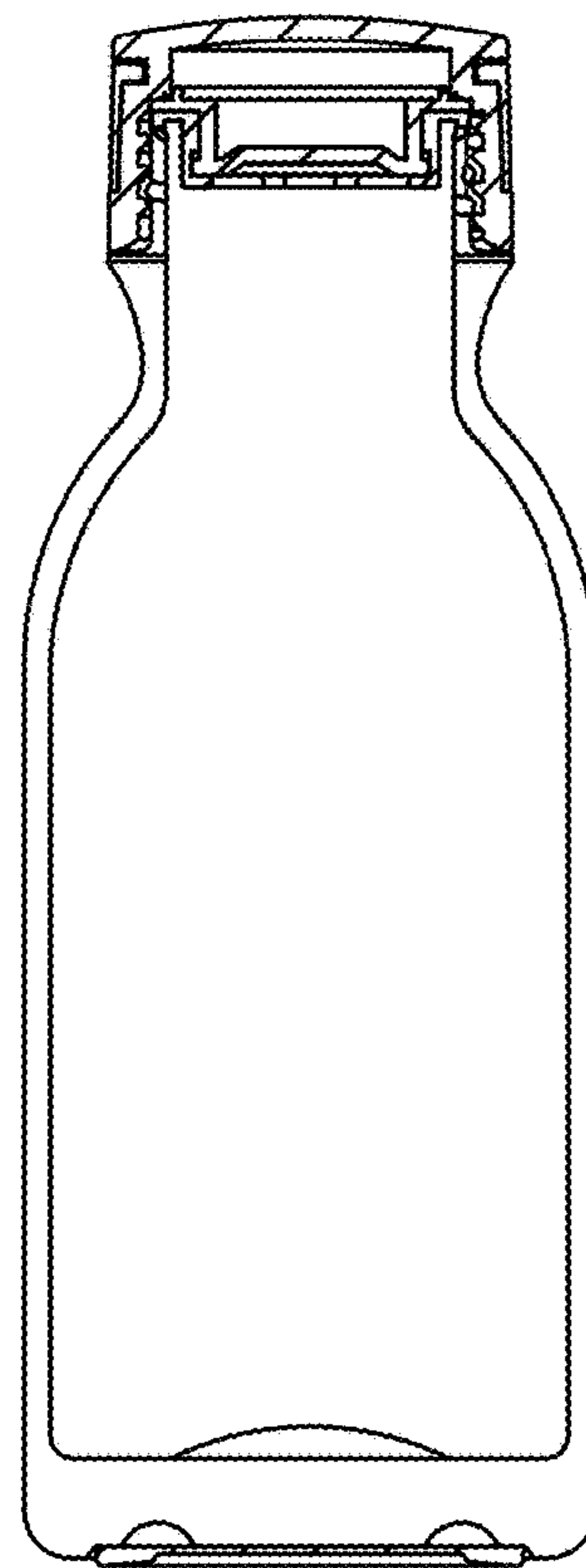
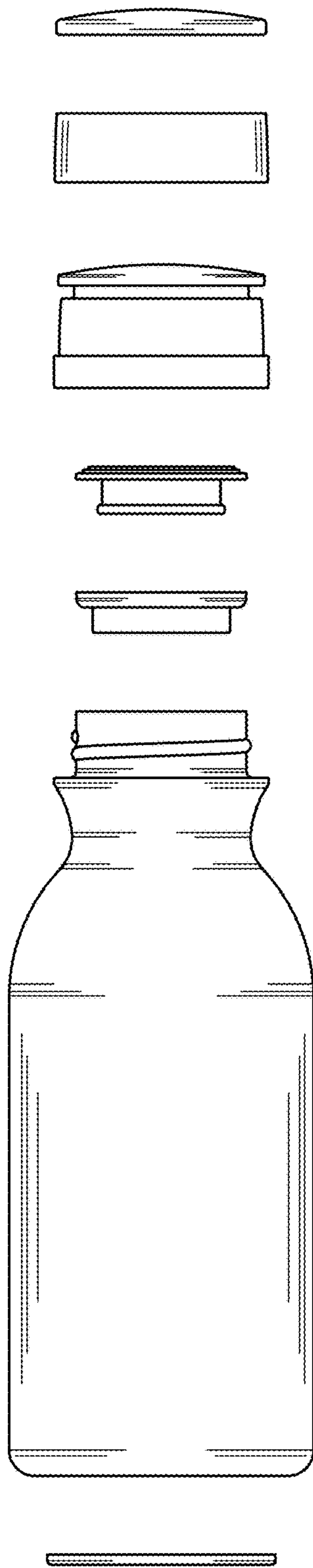


FIG. 31







**FIG. 33**