



US00D829100S

(12) **United States Design Patent**
Averill

(10) **Patent No.:** **US D829,100 S**
(45) **Date of Patent:** **** Sep. 25, 2018**

(54) **IDENTIFICATION RING FOR BOTTLES**

(71) Applicant: **Walter J. Averill**, Windsor, CA (US)

(72) Inventor: **Walter J. Averill**, Windsor, CA (US)

(**) Term: **15 Years**

(21) Appl. No.: **29/607,331**

(22) Filed: **Jun. 12, 2017**

(51) **LOC (11) Cl.** **09-03**

(52) **U.S. Cl.**

USPC **D9/457**; D9/434

(58) **Field of Classification Search**

USPC D3/202, 203.1, 203.2, 203.3, 203.4, 207,
D3/208, 240, 276, 318; D7/387, 392,
D7/392.1, 396.1, 396.2, 397, 398, 601,
D7/602, 708.1, 619.1, 620, 622, 632, 633;
D8/18; D9/434-438, 440, 443-449,
D9/453-457, 499, 516, 522, 537, 549,
D9/562, 715, 718, 719, 722, 738, 739,
D9/746; D11/4; D20/22, 27; D23/259;
D30/152; D19/194-196

CPC G09F 19/00; G09F 3/04; G09F 3/02
See application file for complete search history.

(56) **References Cited**

U.S. PATENT DOCUMENTS

D60,440 S *	2/1922	Boucher, Jr.	D10/23
D241,906 S *	10/1976	Dart	D7/393
D291,184 S *	8/1987	Baril	D9/455
D308,828 S *	6/1990	Magnusson	D9/438
D333,072 S *	2/1993	Hung	D7/622
D334,888 S *	4/1993	Merritt	D30/124
D460,983 S *	7/2002	Fiori	D19/197
D479,129 S *	9/2003	Waugh	D9/434
D501,382 S *	2/2005	Macauley	D8/18
D588,912 S *	3/2009	Christensen	D9/434
D589,793 S *	4/2009	Christensen	D9/434

D626,409 S *	11/2010	Hooley	D7/622
D662,767 S *	7/2012	Hotell	D7/396.2
D746,679 S *	1/2016	Jasso Gomez	D9/443

(Continued)

OTHER PUBLICATIONS

Muji. Identification Ring for Pet Bottle. 2018 [earliest online date], [site visited Apr. 24, 2018]. Available from Internet, <URL:http://www.muji.us/store/4549337874442.html>. (Year: 2018).*

(Continued)

Primary Examiner — Eric L Goodman

Assistant Examiner — Darcey E Heflin

(74) *Attorney, Agent, or Firm* — Craig M. Stainbrook;
Stainbrook & Stainbrook, LLP

(57) **CLAIM**

The ornamental design for an identification ring for bottles, as shown and described.

DESCRIPTION

FIG. 1 is an upper left front perspective view of an identification ring for bottles, with bottle shown in dashed lines as it is unclaimed and shown for environmental context only; FIG. 2 is an upper left front perspective view of an identification ring for bottles;

FIG. 3 is a front elevational view of an identification ring for bottles;

FIG. 4 is a right side elevational view of an identification ring for bottles, the left side is a mirror image thereof;

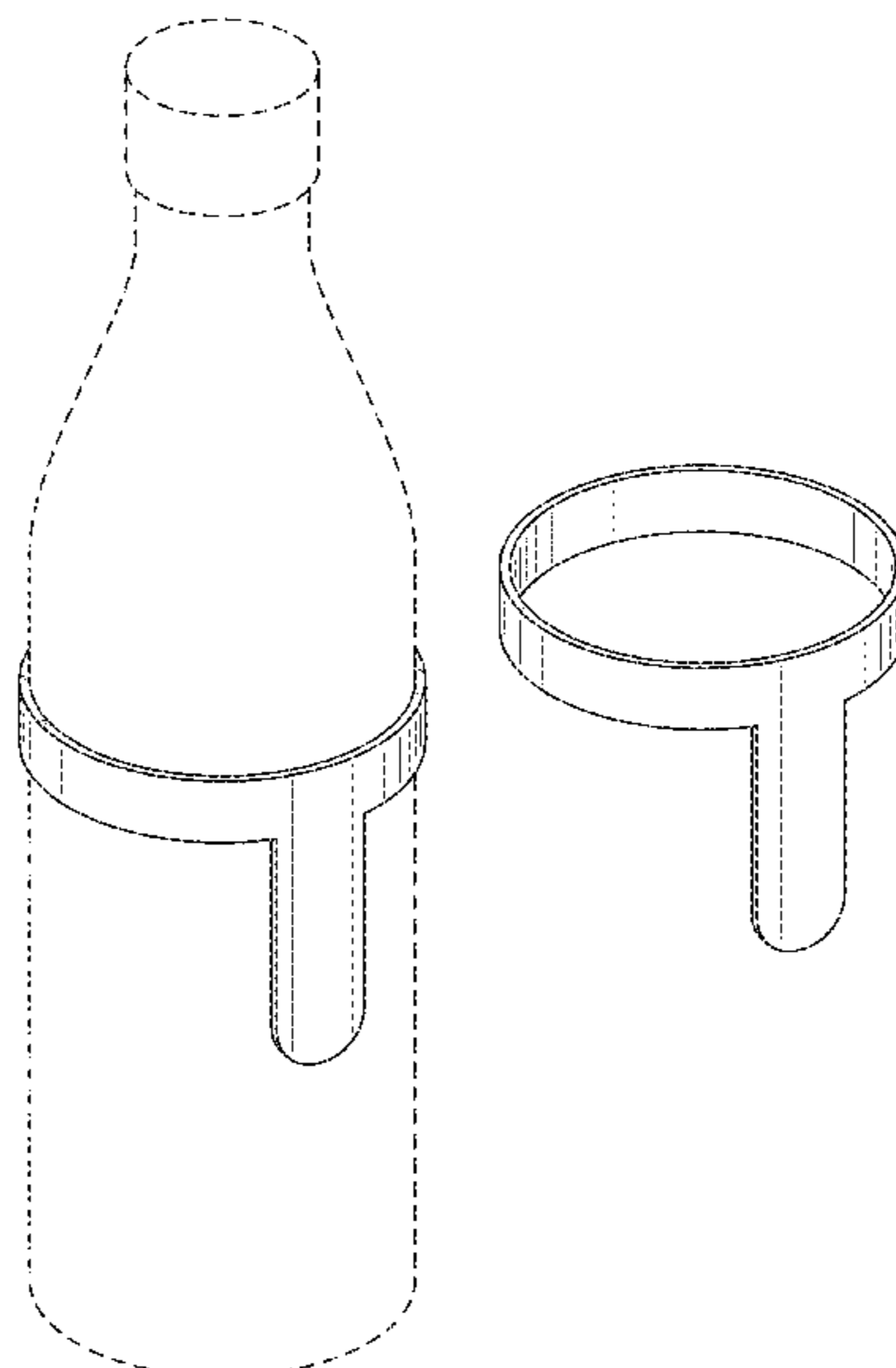
FIG. 5 is a rear elevational view of an identification ring for bottles;

FIG. 6 is a top plan view of an identification ring for bottles; and,

FIG. 7 is a bottom plan view of an identification ring for bottles.

The broken lines shown in the drawings are included for purposes of illustrating environmental structures only and form no part of the claimed design.

1 Claim, 2 Drawing Sheets



(56)

References Cited

U.S. PATENT DOCUMENTS

D747,157 S * 1/2016 Pasho D7/620
D747,198 S * 1/2016 Biswas D9/434

OTHER PUBLICATIONS

Ti2 Design. Titanium clip for the Ti2 TechLiner. 2018 [earliest online date], [site visited Apr. 24, 2018]. Available from Internet, <URL: <https://www.ti2design.com/ti2-g5-clip-for-ti2-pen-techliner>>. (Year: 2018).*

* cited by examiner

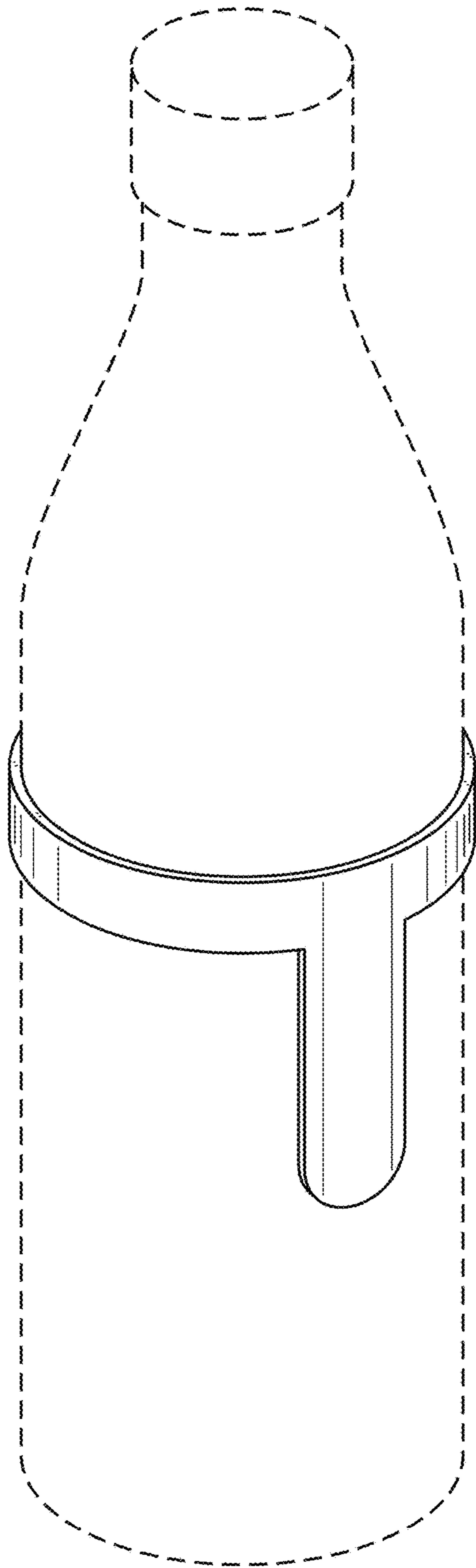


FIG. 1

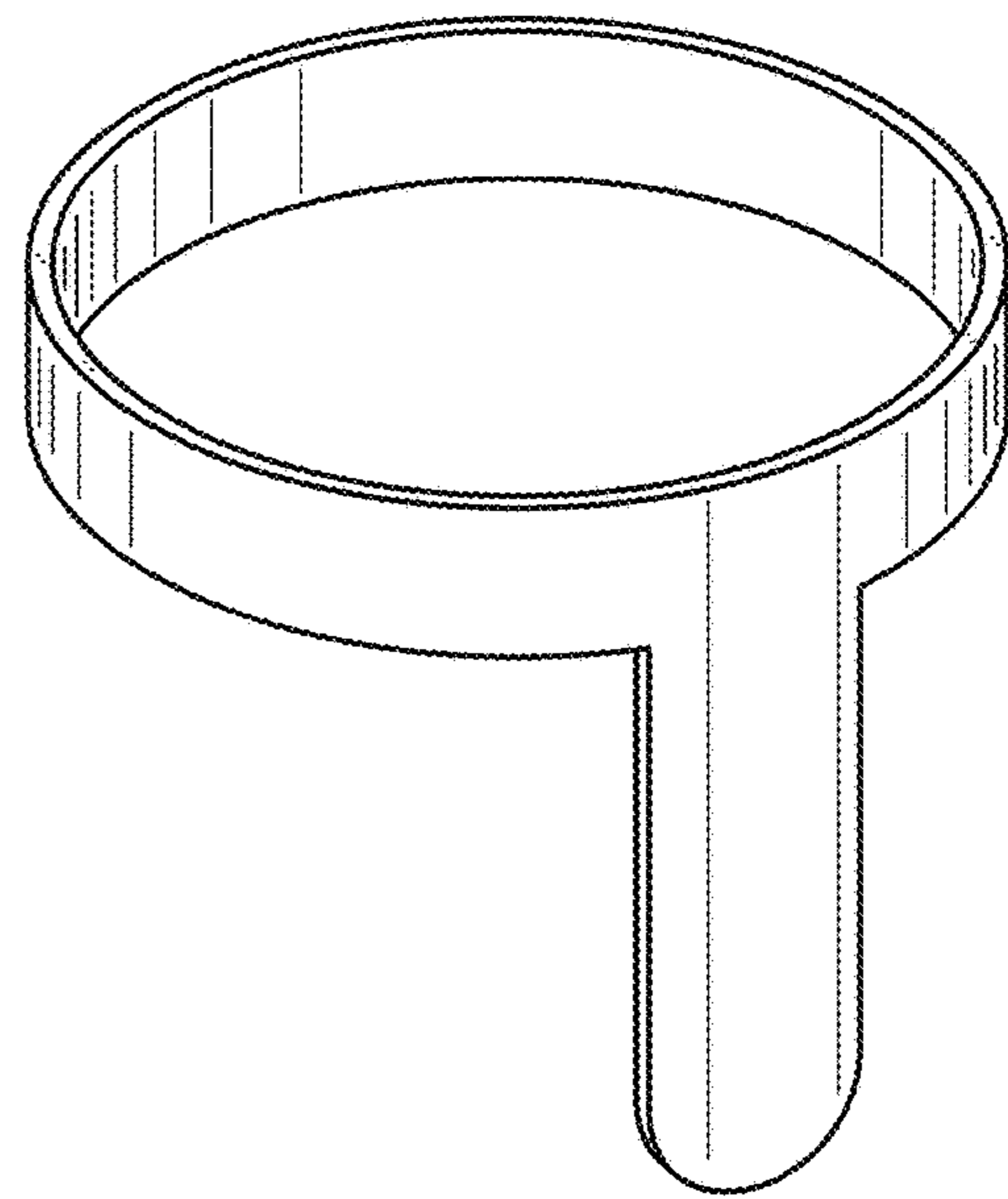


FIG. 2

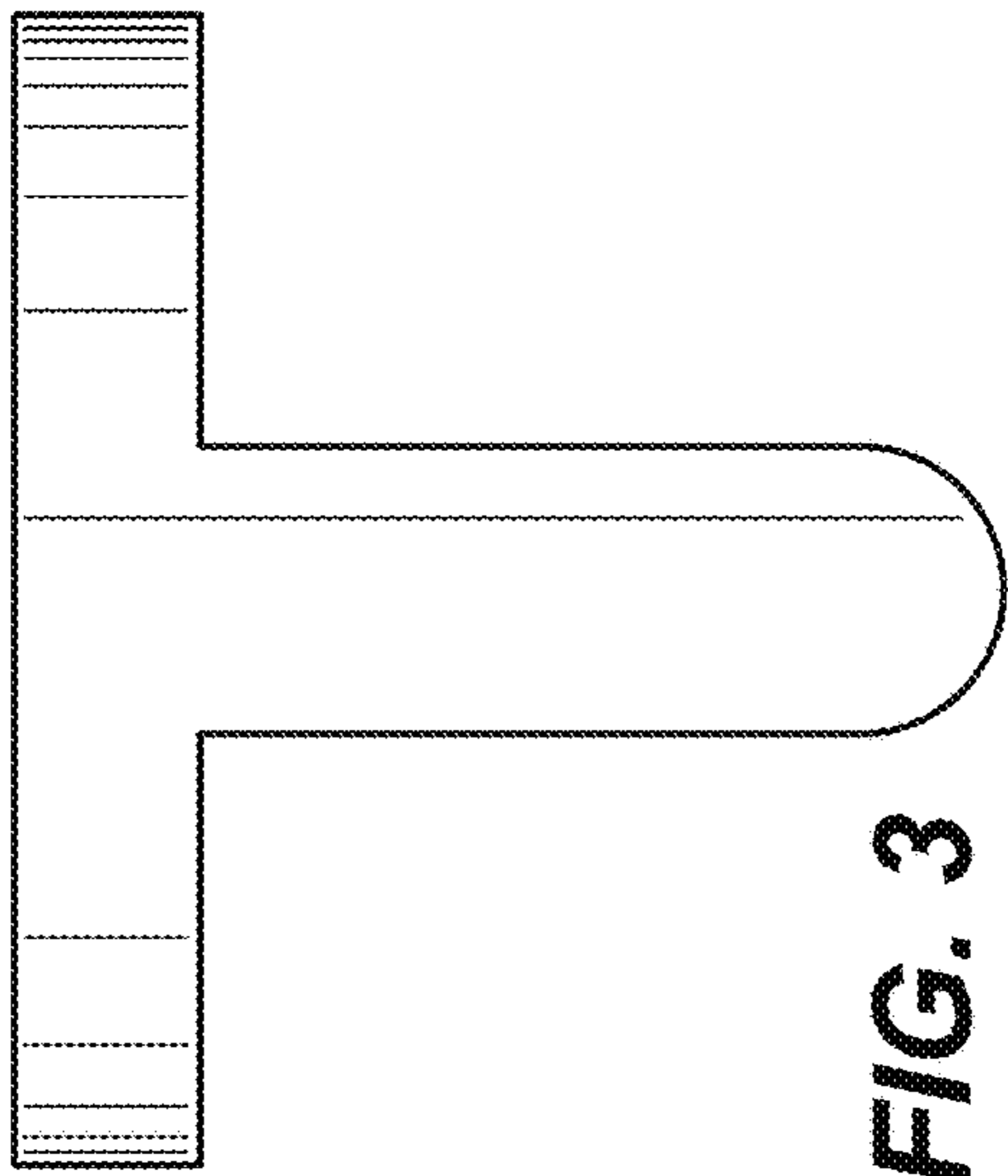


FIG. 3

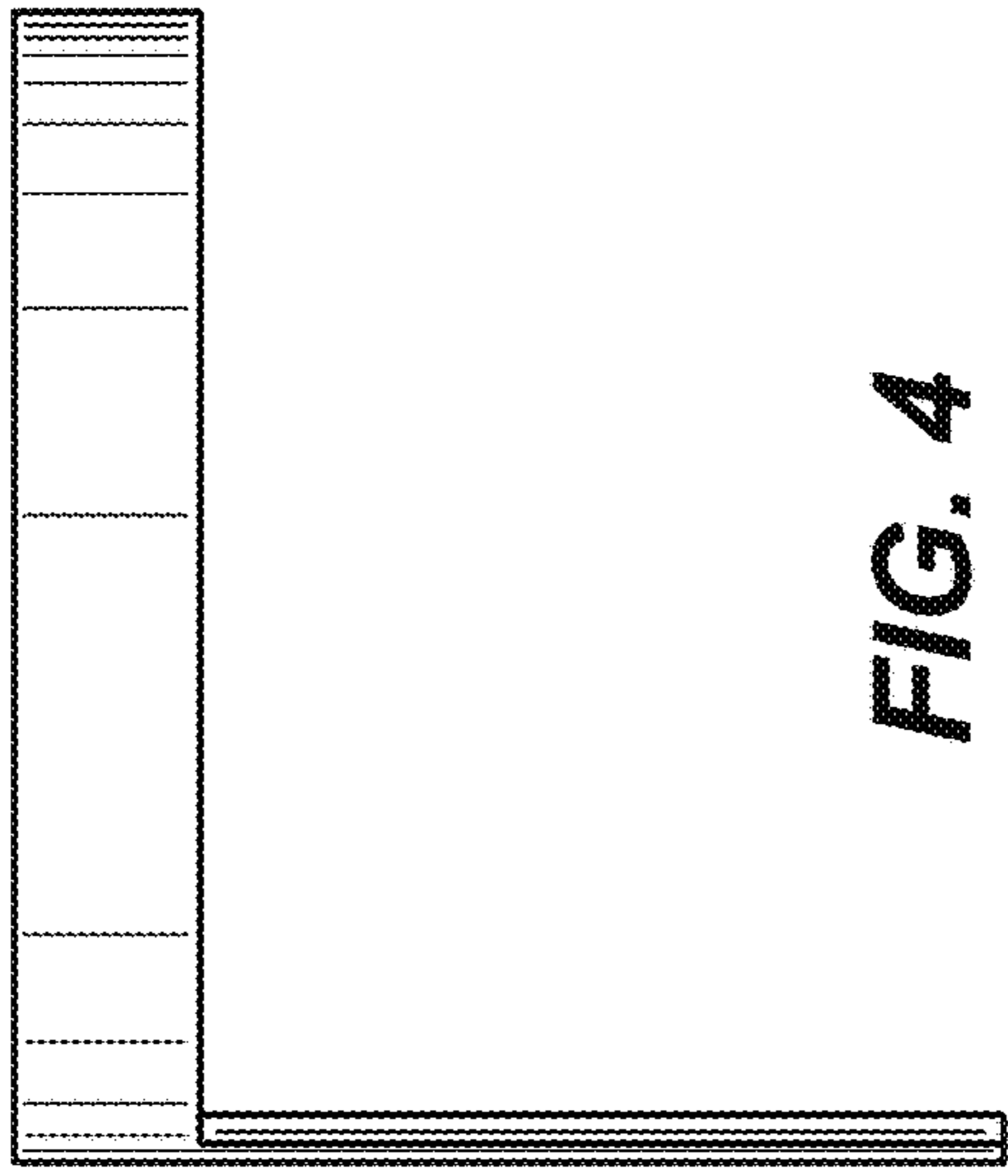


FIG. 4

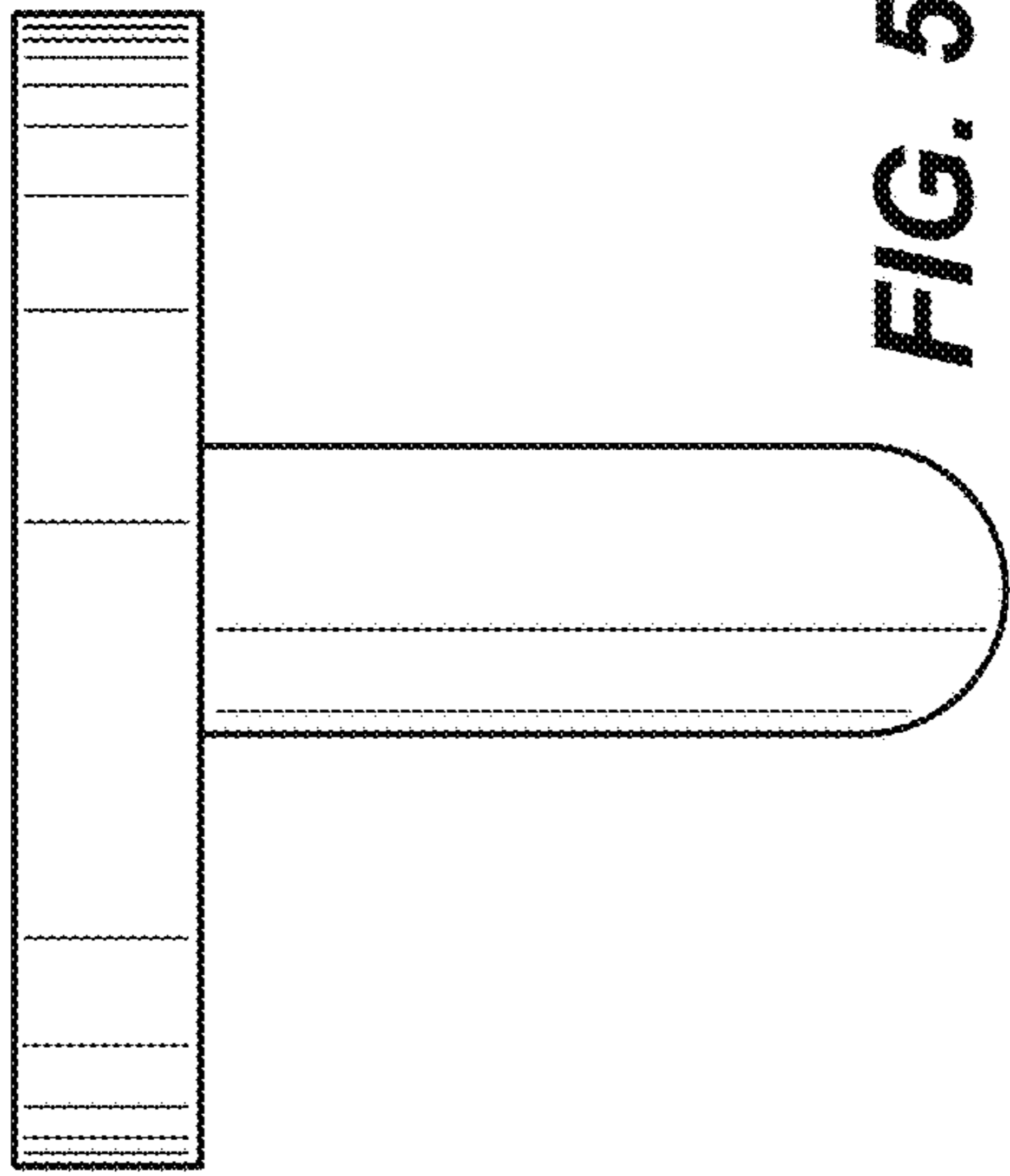


FIG. 5

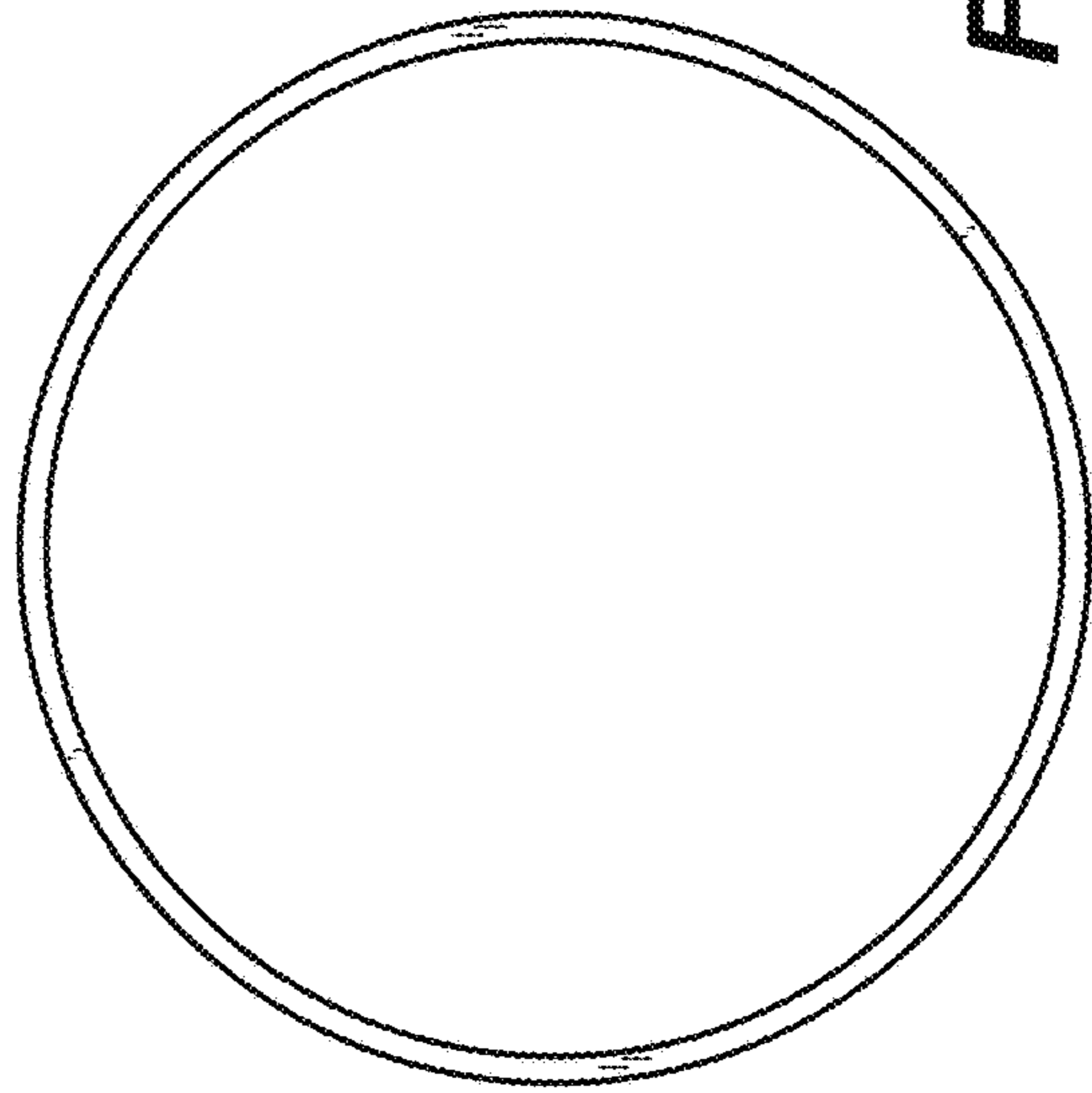


FIG. 6

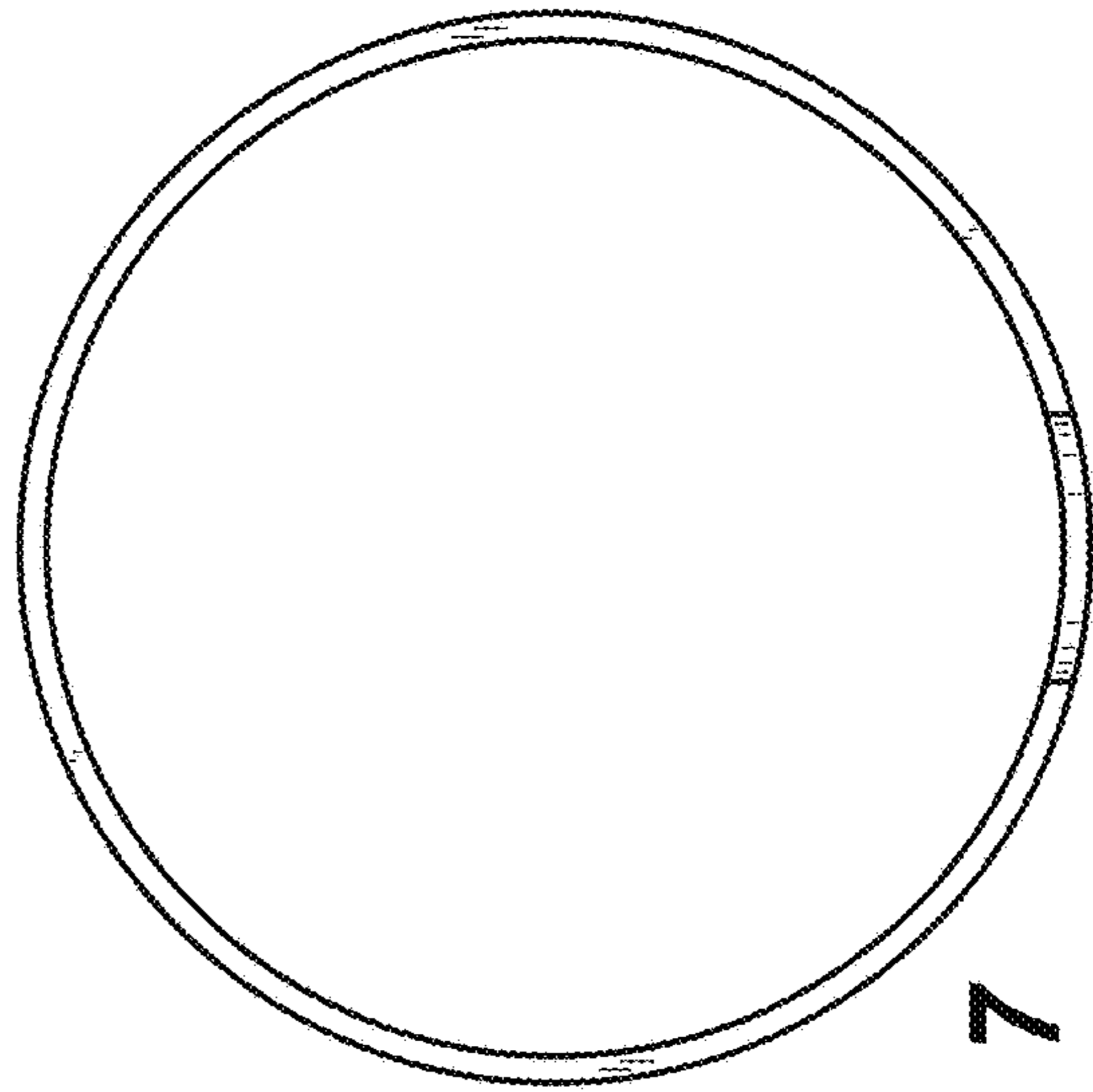


FIG. 7