



US00D829099S

(12) **United States Design Patent**  
**Collinson et al.**

(10) **Patent No.: US D829,099 S**

(45) **Date of Patent: \*\* Sep. 25, 2018**

(54) **VALVE FOR AN AEROSOL CONTAINER**

(71) Applicant: **Reckitt Benckiser (Brands) Limited**,  
Slough, Berkshire (GB)

(72) Inventors: **Nikki Collinson**, Hull (GB); **Avijit Das**, Hull (GB); **Scott Rudkin**, Hull (GB); **Christopher Witty**, Hull (GB)

(73) Assignee: **RECKITT BENCKISER (BRANDS) LIMITED**, Slough, Berkshire (GB)

(\*\*) Term: **15 Years**

(21) Appl. No.: **29/605,367**

(22) Filed: **May 25, 2017**

(51) **LOC (11) Cl.** ..... **09-07**

(52) **U.S. Cl.**  
USPC ..... **D9/448**

(58) **Field of Classification Search**  
USPC ..... D6/515, 530, 542-545; D7/387, 392, D7/392.1, 397, 398, 401.1, 589, 590; D8/14.1; D9/434-436, 439, 440, 443, D9/447-450, 454, 499, 682, 685-691, D9/694; D21/720; D23/208, 213, 252, D23/255, 321; D28/76, 91.1  
CPC ..... B05B 11/3059; B05B 11/3001; B05B 1/1654; F04B 9/14; F04B 23/023; B65D 83/0005

See application file for complete search history.

(56) **References Cited**

**U.S. PATENT DOCUMENTS**

D86,179 S \* 2/1932 Pelouch ..... D8/107  
D317,347 S \* 6/1991 Whitley, II ..... D23/213

D431,068 S \* 9/2000 Beaver ..... D23/213  
D512,133 S \* 11/2005 Kosasih ..... D23/255  
D625,603 S \* 10/2010 Butler ..... D9/448  
D648,216 S \* 11/2011 Christianson ..... D9/448  
D657,242 S \* 4/2012 Christianson ..... D9/448  
D657,243 S \* 4/2012 Christianson ..... D9/448  
D659,536 S \* 5/2012 Bedford ..... D9/448  
D666,869 S \* 9/2012 Martindale ..... D7/397  
D725,978 S \* 4/2015 Uematsu ..... D8/14.1  
D798,657 S \* 10/2017 Lin ..... D7/398  
2008/0283625 A1 \* 11/2008 Bedford ..... B65D 83/262  
239/11

\* cited by examiner

*Primary Examiner* — Eric L Goodman

*Assistant Examiner* — Darcey E Heflin

(74) *Attorney, Agent, or Firm* — Norris McLaughlin & Marcus PA

(57) **CLAIM**

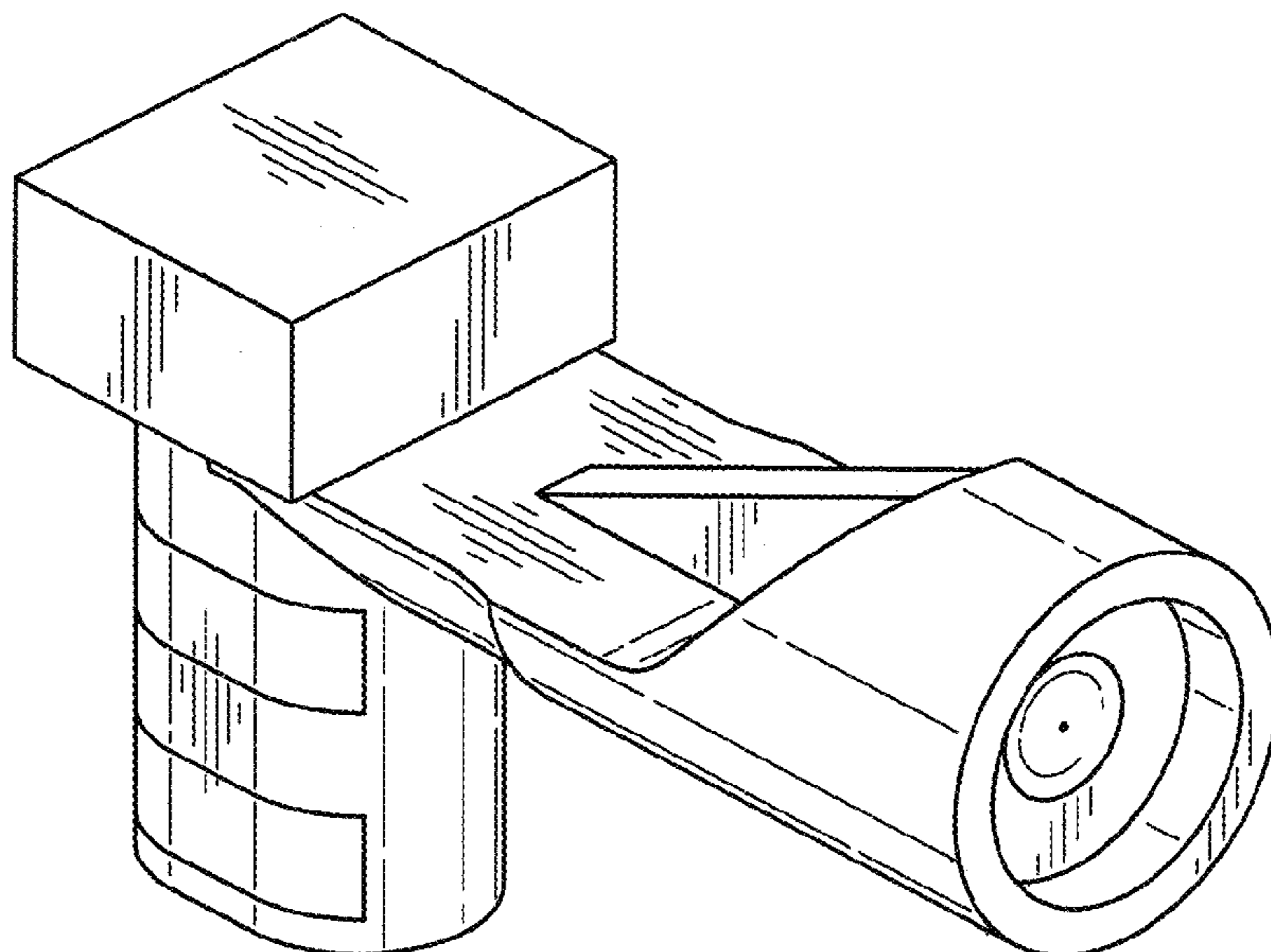
The ornamental design for a valve for an aerosol container, as shown and described.

**DESCRIPTION**

FIG. 1 is a perspective view of a valve for an aerosol container, showing our new design;  
FIG. 2 is a front side elevation view thereof;  
FIG. 3 is a rear side elevation view thereof;  
FIG. 4 is a right elevation view thereof;  
FIG. 5 is a left elevation view thereof;  
FIG. 6 is a top plan view thereof; and,  
FIG. 7 is a bottom plan view thereof.

In the drawings, the broken lines show portions of a valve for an aerosol container that form no part of the claim.

**1 Claim, 4 Drawing Sheets**



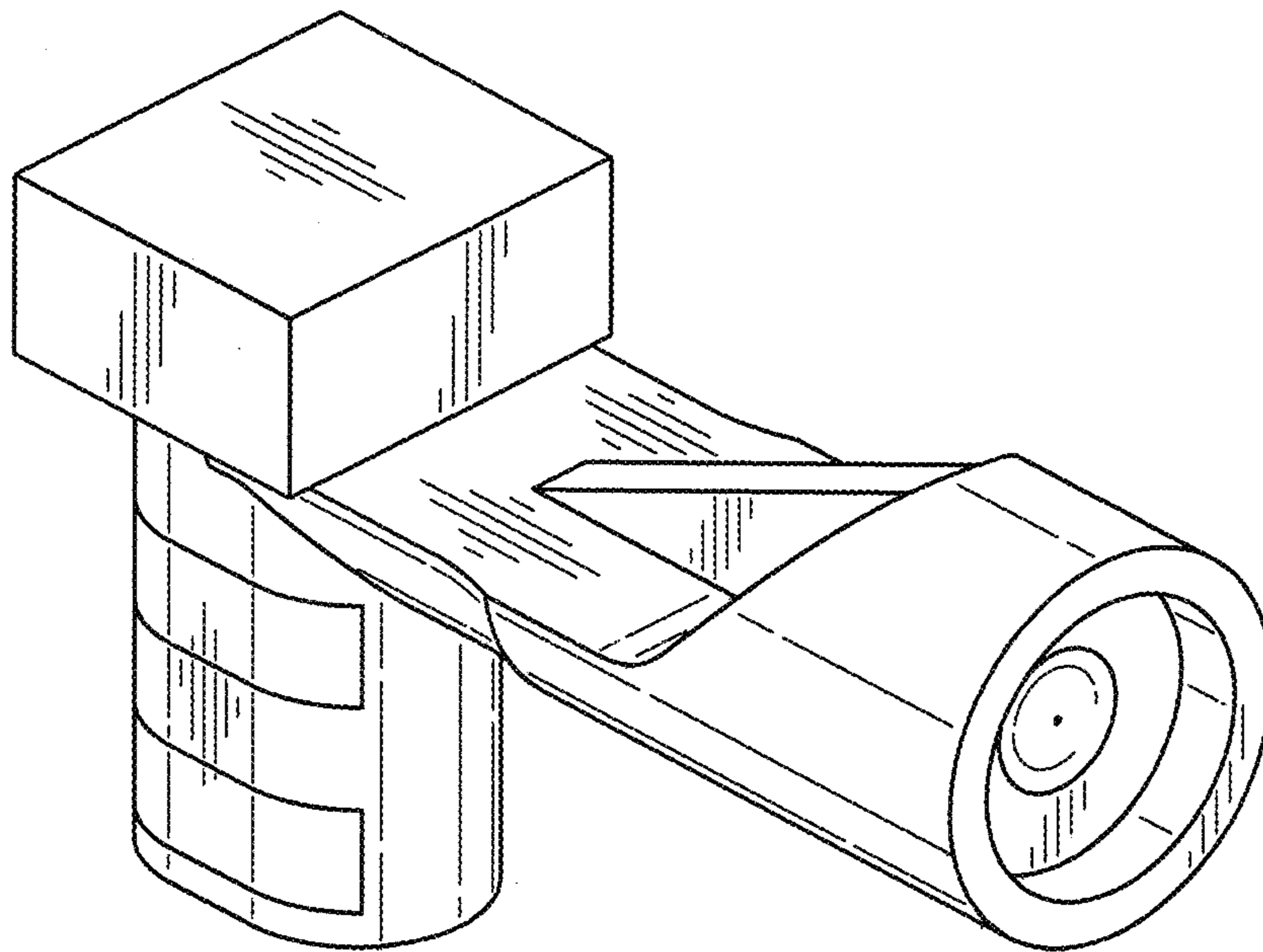


Fig. 1

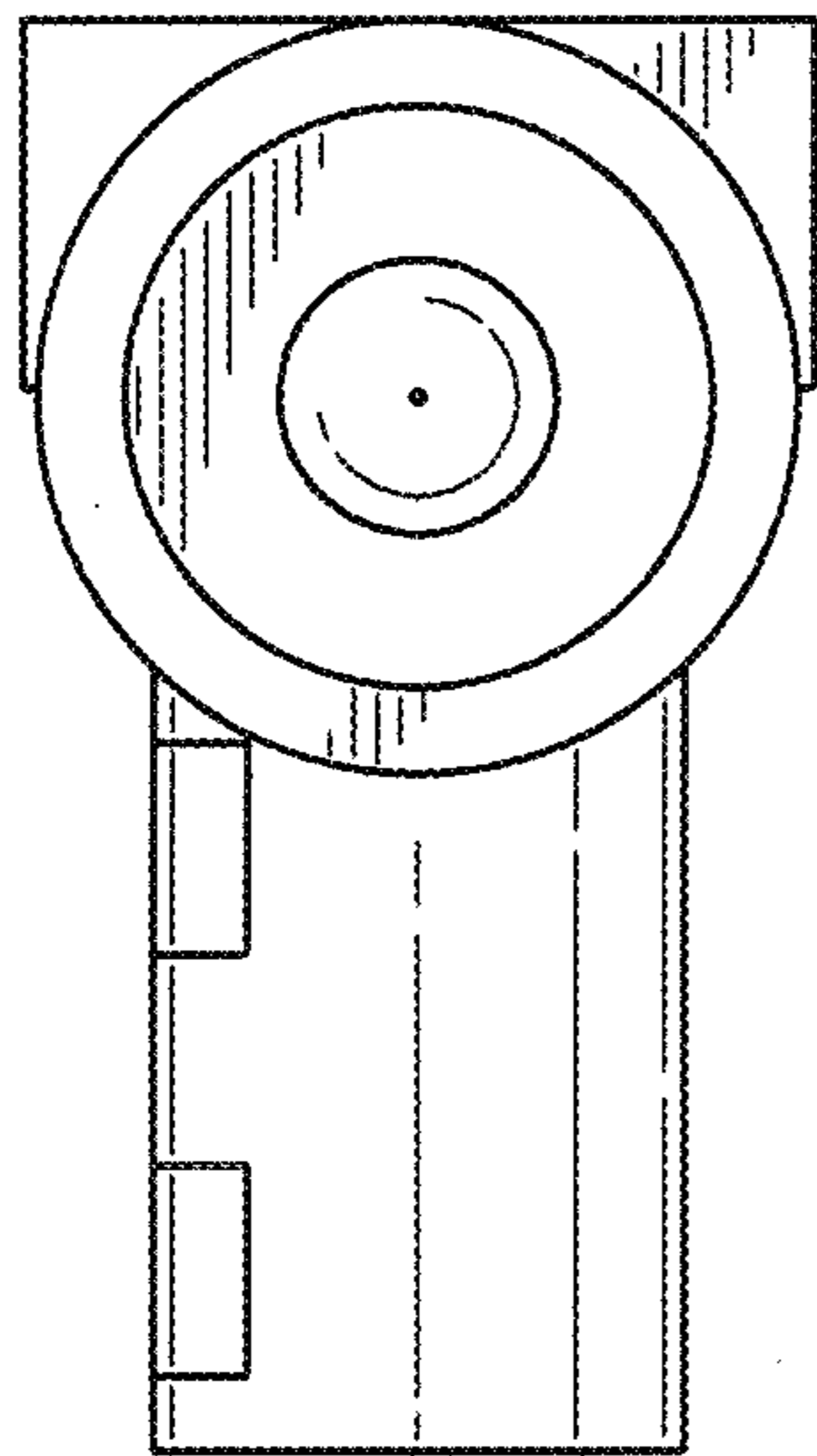


Fig. 2

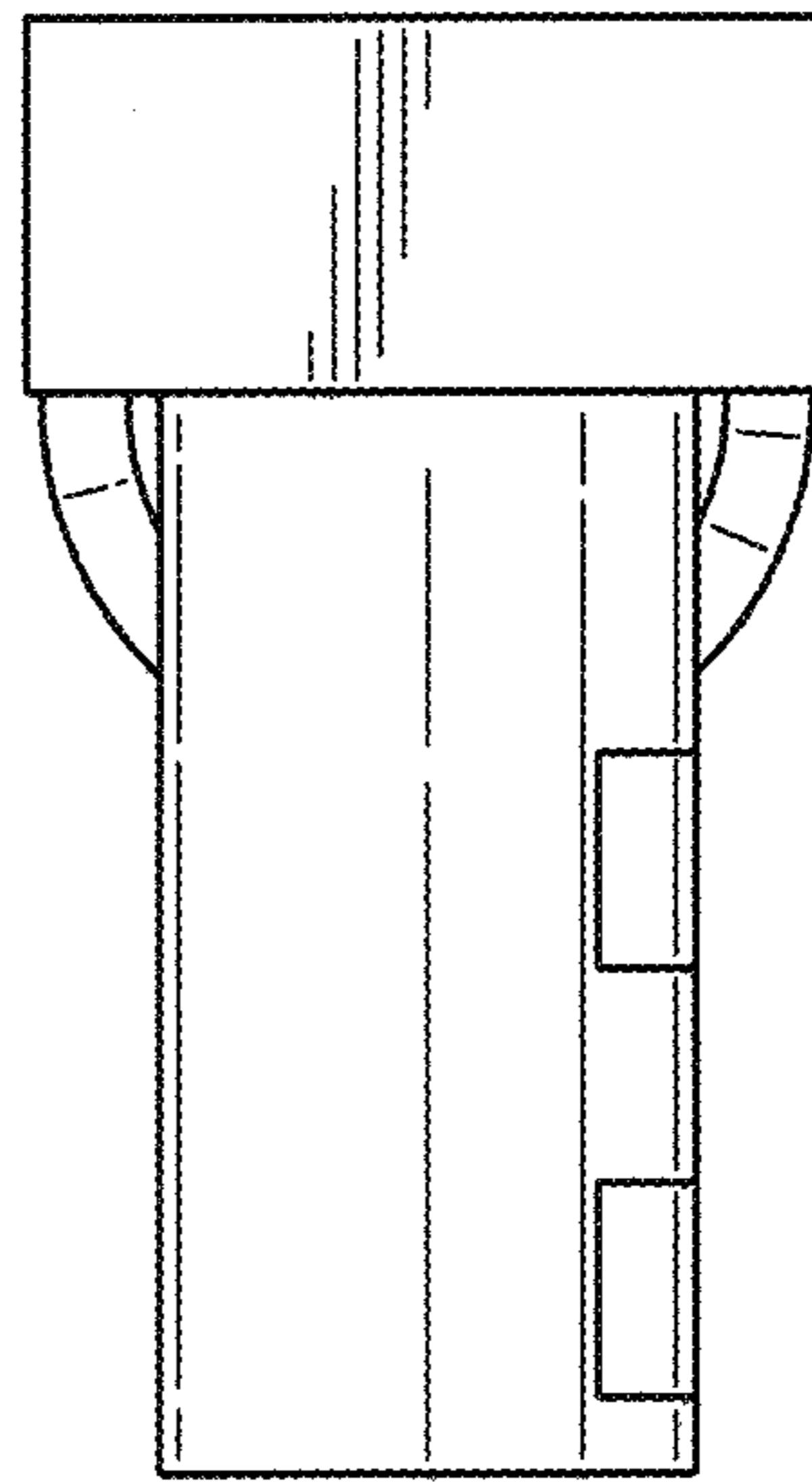


Fig. 3

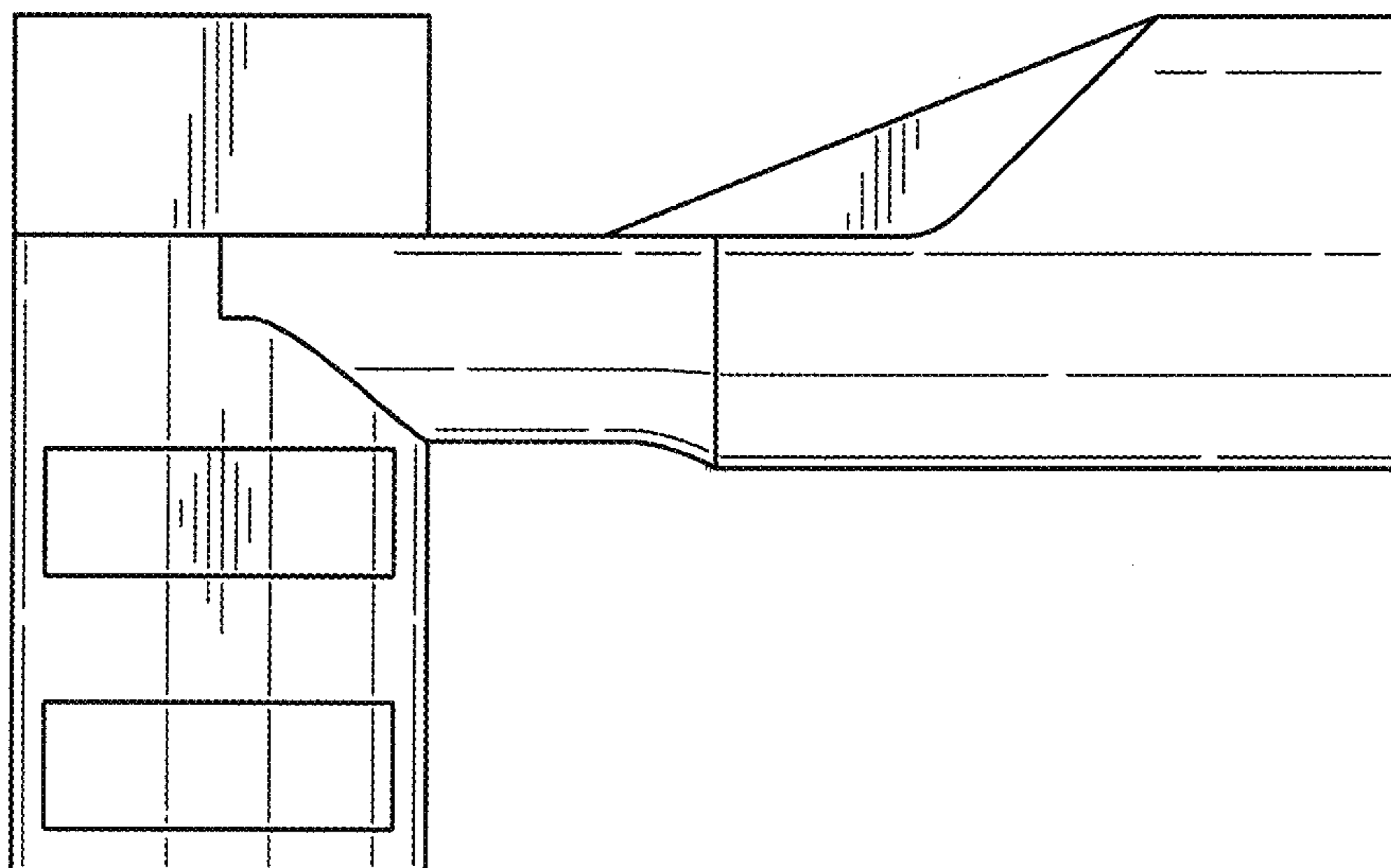


Fig. 4

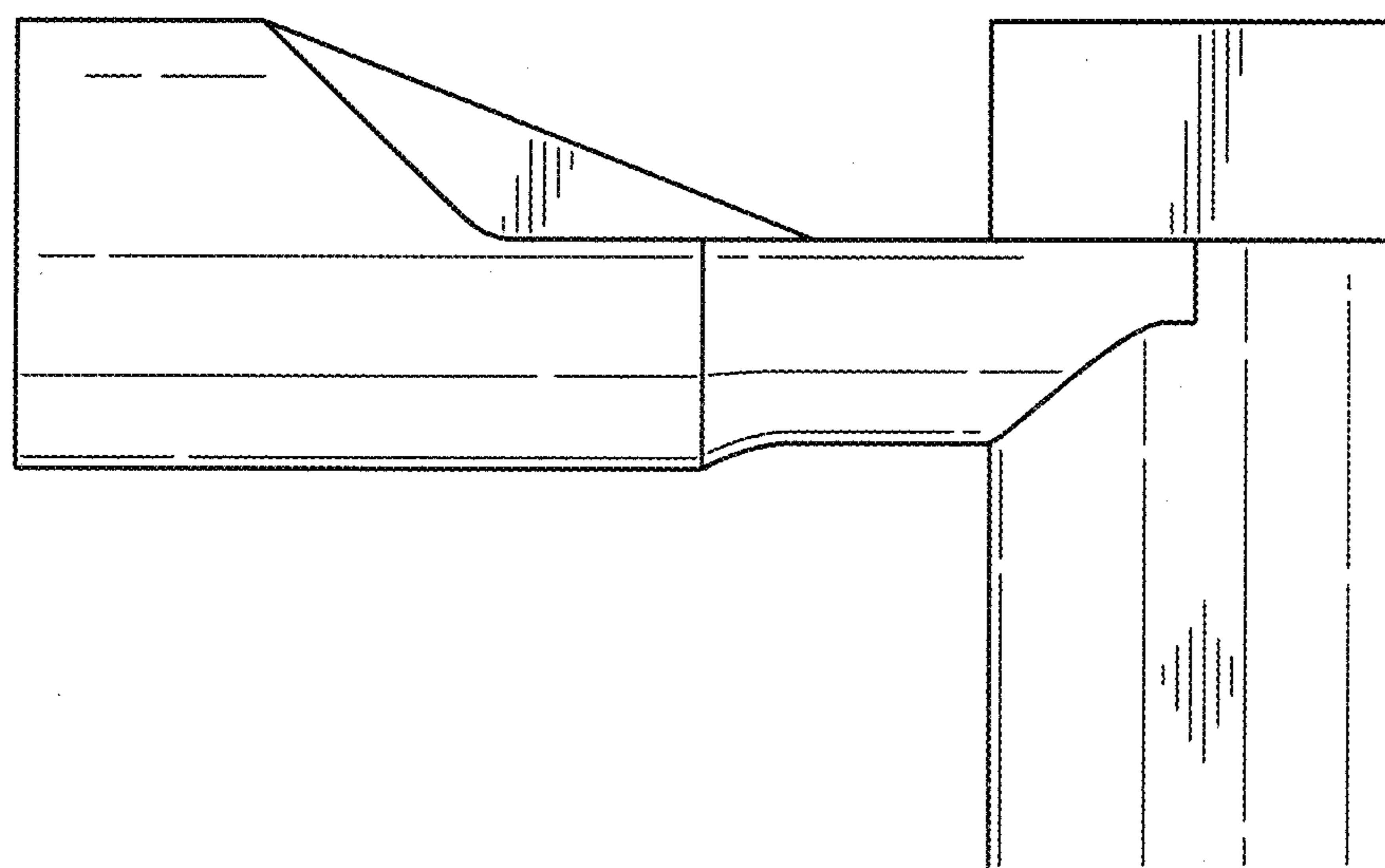


Fig. 5

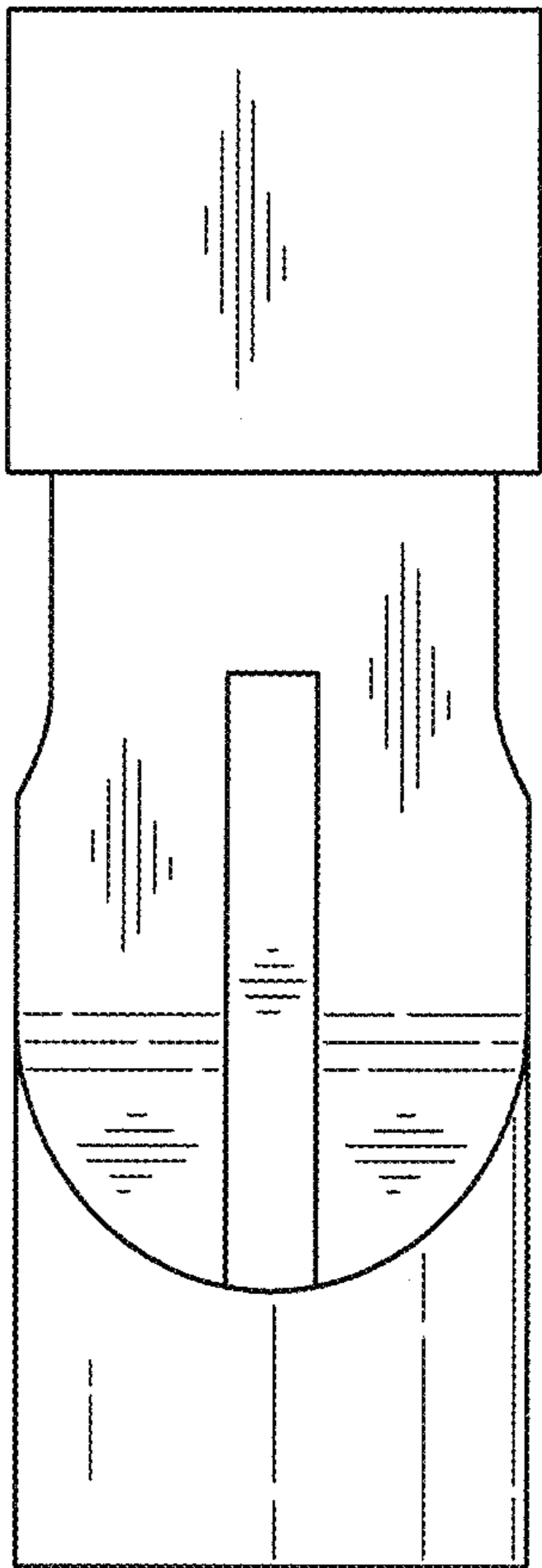


Fig. 6

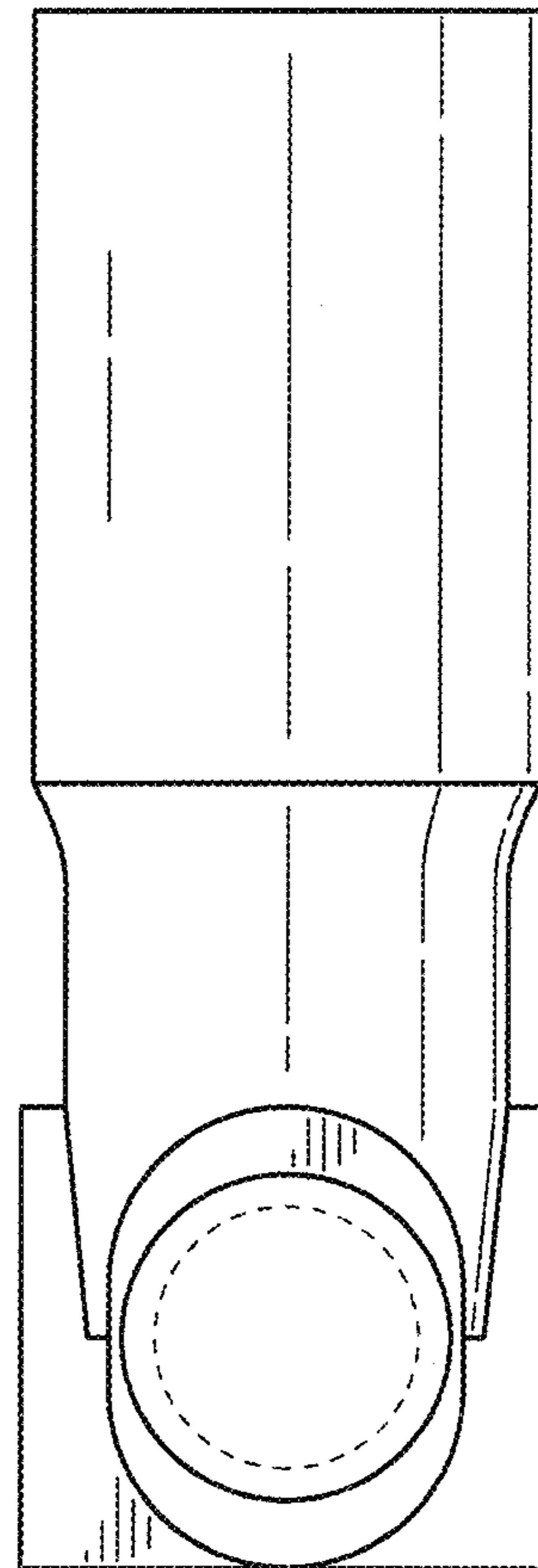


Fig. 7

UNITED STATES PATENT AND TRADEMARK OFFICE  
**CERTIFICATE OF CORRECTION**

PATENT NO. : D829,099 S  
APPLICATION NO. : 29/605367  
DATED : September 25, 2018  
INVENTOR(S) : Nikki Collinson et al.

Page 1 of 1

It is certified that error appears in the above-identified patent and that said Letters Patent is hereby corrected as shown below:

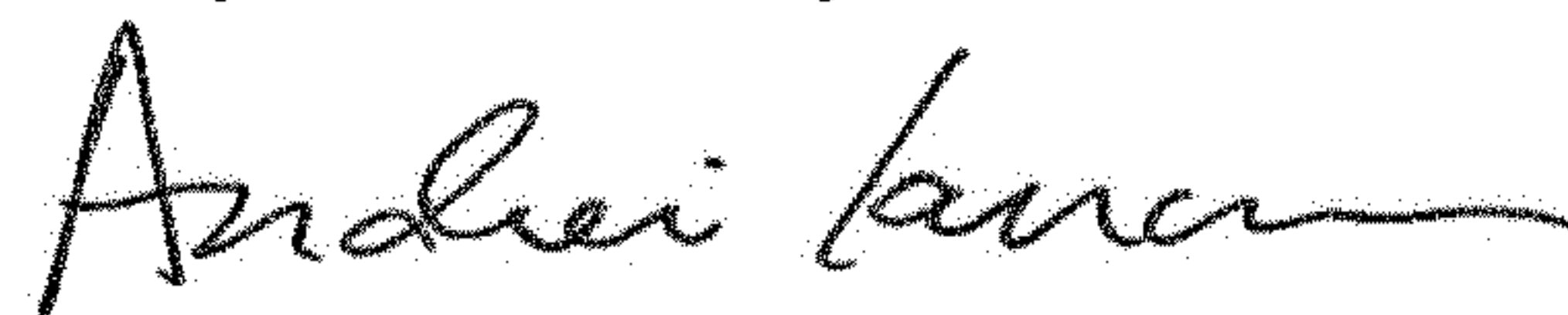
On the Title Page

Insert:

-- [30] Foreign Applications Priority Data

May 9, 2017 (EP) ..... 003992833-0002 --

Signed and Sealed this  
Twenty-second Day of October, 2019



Andrei Iancu  
*Director of the United States Patent and Trademark Office*