



US00D829098S

(12) **United States Design Patent**
Gallagher

(10) **Patent No.: US D829,098 S**

(45) **Date of Patent: ** Sep. 25, 2018**

(54) **BOTTLE CARRIER**

19/2272; A47G 19/2266; A47G 19/2288;
A47G 19/00; A47G 21/18; A47J 43/1087;
A47J 43/27

(71) Applicant: **Kenneth John Gallagher**, Las Vegas,
NV (US)

See application file for complete search history.

(72) Inventor: **Kenneth John Gallagher**, Las Vegas,
NV (US)

(56) **References Cited**

(**) Term: **15 Years**

U.S. PATENT DOCUMENTS

(21) Appl. No.: **29/598,575**

1,561,453	A *	11/1925	Althen	A47J 45/10 294/28
1,720,500	A *	7/1929	Watrous	B65D 23/104 294/28
D217,540	S *	5/1970	Weise	D8/397
D291,868	S *	9/1987	Hindle	D9/453
5,203,481	A *	4/1993	Dobbins	A45F 3/14 215/396
D346,532	S *	5/1994	Ogden	D7/619.1
D347,734	S *	6/1994	Patterson	D3/229
5,577,647	A *	11/1996	Pittarelli	A45F 3/16 215/228
D404,643	S *	1/1999	Walker	D3/215
6,443,338	B1 *	9/2002	Giacona, III	A45C 13/30 224/148.6

(22) Filed: **Mar. 27, 2017**

(51) **LOC (11) Cl.** **09-07**

(52) **U.S. Cl.**
USPC **D9/443**; D9/453

(58) **Field of Classification Search**
 USPC D3/10, 202, 203.1, 203.2, 215, 273, 275,
 D3/291, 294, 318; D7/300, 305, 312,
 D7/313, 314, 387, 388, 391, 392, 392.1,
 D7/393, 394, 395, 396.1, 396.2, 397, 398,
 D7/403, 509-511, 514, 523, 533, 536,
 D7/538, 586, 601, 602, 608, 619.1, 624.1,
 D7/900; D9/434, 435, 439, 443, 446,
 D9/452, 453, 454, 503, 516, 529, 531,
 D9/774; D23/206, 255, 259, 260;
 D24/108, 112, 120, 121, 127, 129, 162,
 D24/194, 197, 216, 224; D34/7-11
 CPC B65D 51/16; B65D 51/18; B65D 51/242;
 B65D 51/243; B65D 47/06; B65D 47/08;
 B65D 47/24; B65D 47/247; B65D
 47/283; B65D 47/065; B65D 47/0866;
 B65D 47/0885; B65D 47/0871; B65D
 43/02; B65D 43/16; B65D 43/22; B65D
 43/26; B65D 23/108; B65D 23/001;
 B65D 41/04; B65D 35/46; B65D
 81/3283; B65D 25/24; B65D 2251/0021;
 B65D 2251/0025; B65D 2251/0028;
 B65D 2251/0081; B65D 2251/0087;
 B65D 2251/009; B65D 2543/00046;
 B65D 2543/00231; B65D 47/265; A47G

(Continued)

Primary Examiner — Jennifer Rivard
Assistant Examiner — Catherine S Posthauer

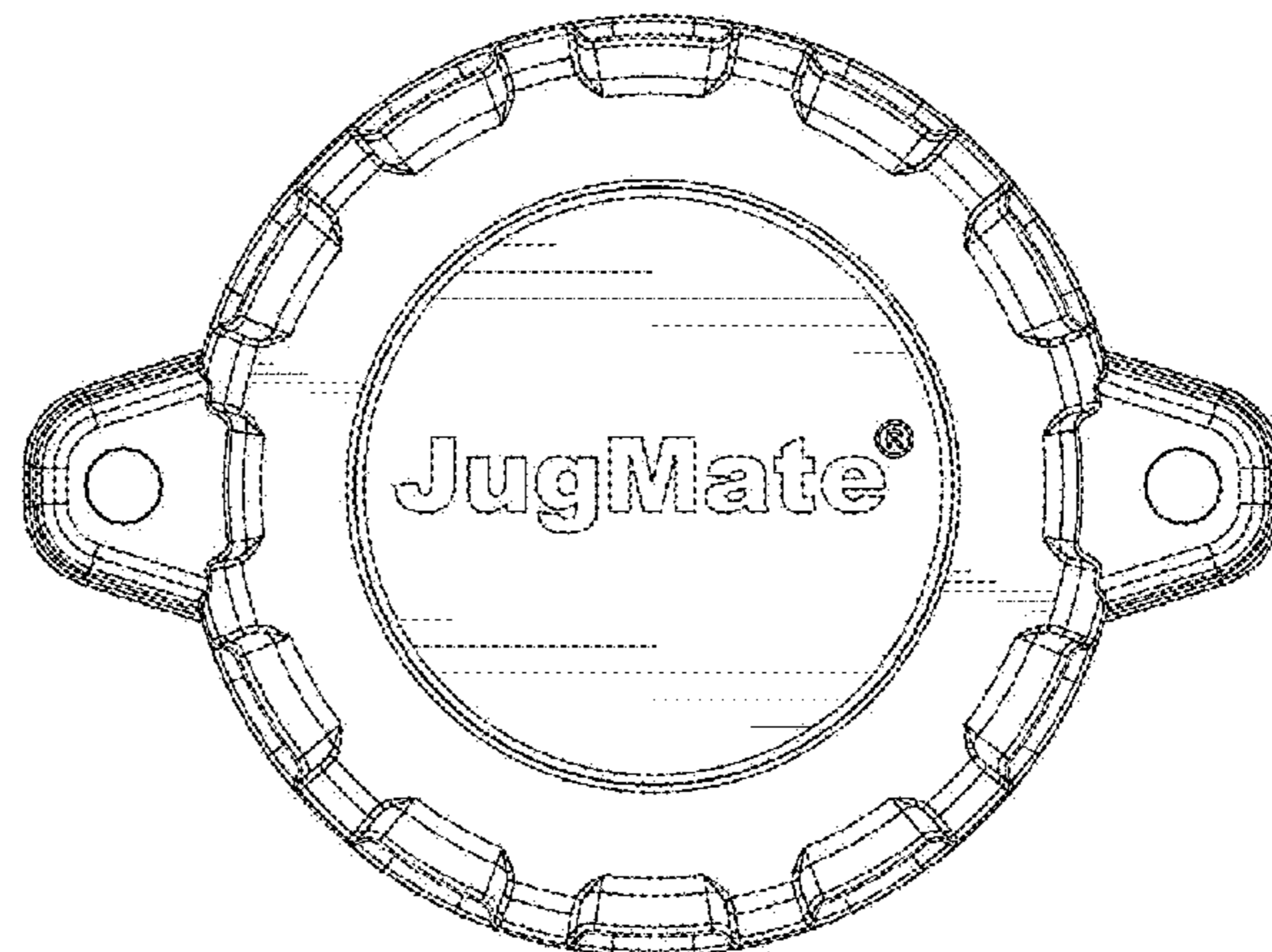
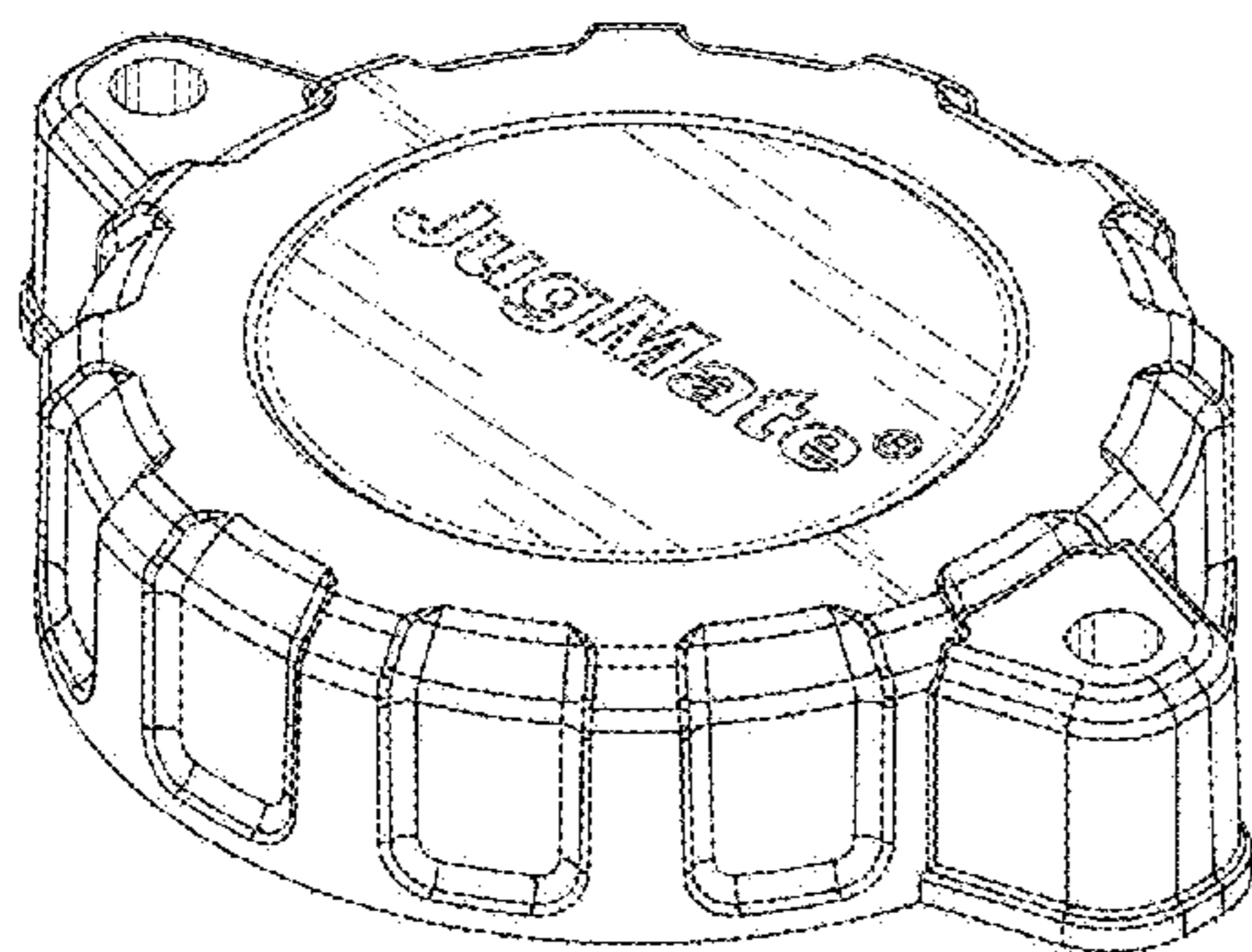
(57) **CLAIM**

The ornamental design for a bottle carrier, as shown and described.

DESCRIPTION

FIG. 1—is a topside perspective view of my bottle carrier design;
 FIG. 2—is a top plan view thereof;
 FIG. 3—is a front side elevational view thereof, the back side being a mirror image; and,
 FIG. 4—is a left side elevational view thereof, the right side being a mirror image.
 The “JugMate®” logo shown in FIGS. 1 and 2 is a registered trademark of JugMate LLC and forms part of the claim.

1 Claim, 2 Drawing Sheets



(56)

References Cited

U.S. PATENT DOCUMENTS

D472,145	S *	3/2003	Nottingham	D9/443
D562,462	S *	2/2008	Muir	D24/224
D613,161	S *	4/2010	Greenfield	D9/443
D621,706	S *	8/2010	Breckan	D9/443
D621,707	S *	8/2010	Breckan	D9/443
D683,625	S *	6/2013	Miranda De Araujo	D9/443
D778,724	S *	2/2017	Martini	D9/443
D779,324	S *	2/2017	Martini	D9/443
D784,132	S *	4/2017	Johnson	D9/434
9,815,603	B2 *	11/2017	Bannini	B65D 51/245
D805,899	S *	12/2017	Marantis	D9/439
2008/0061091	A1 *	3/2008	Mailliard	A45F 5/02 224/148.6

* cited by examiner

FIG. 1

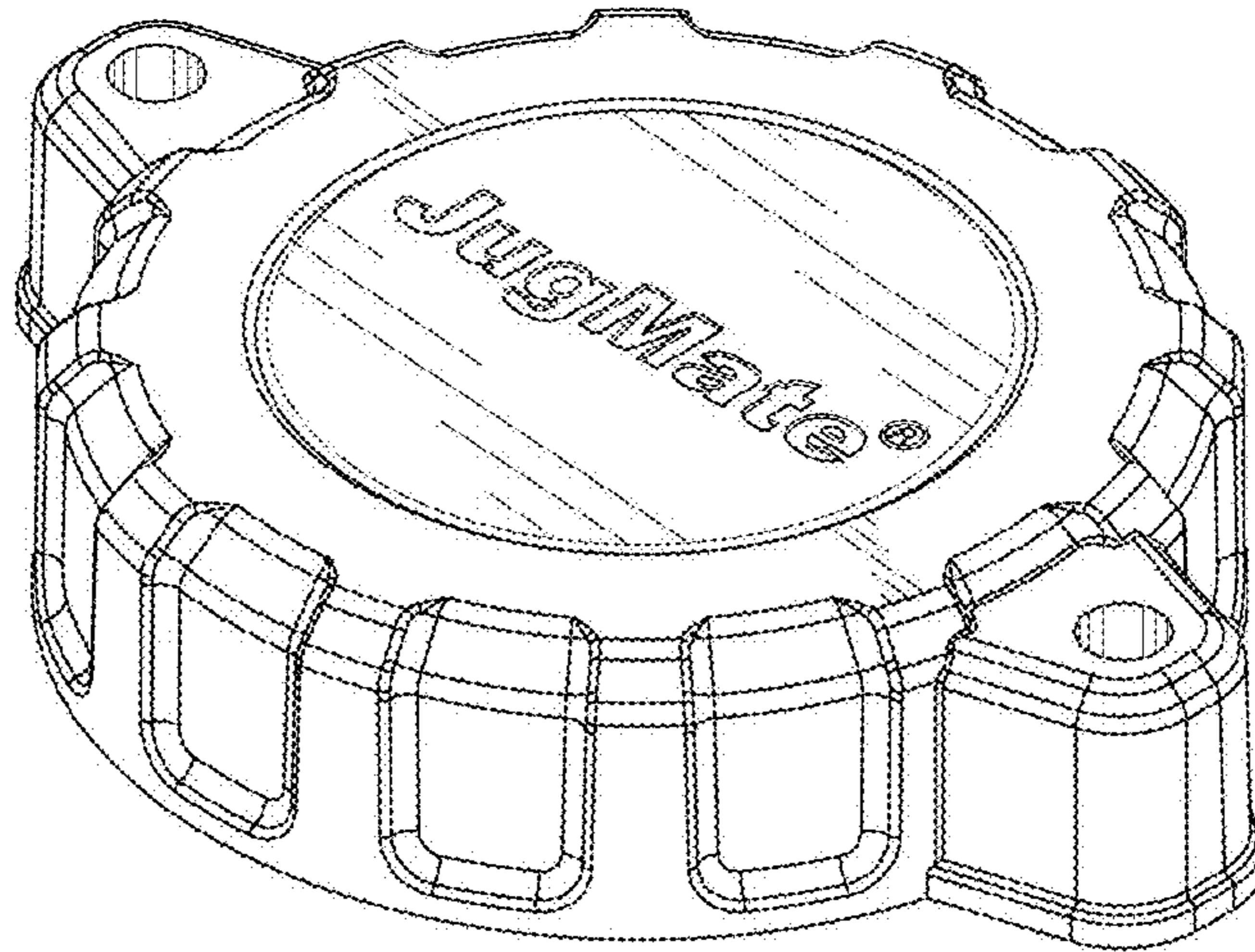
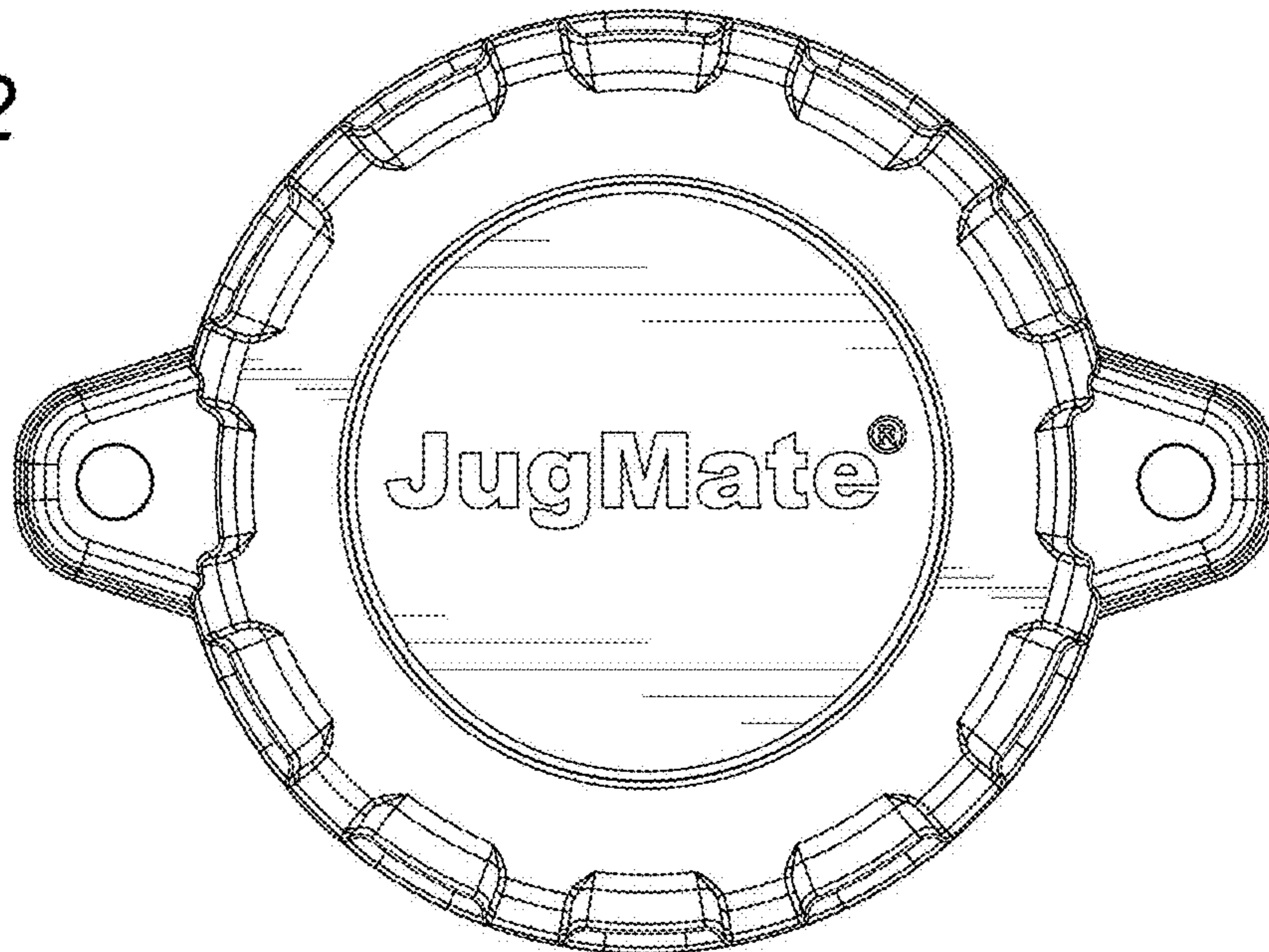


FIG. 2



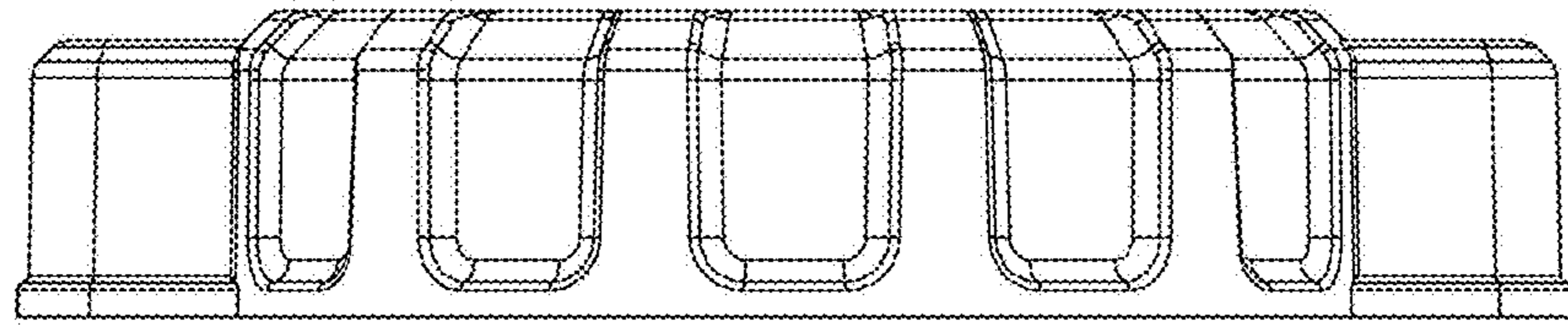


FIG. 3

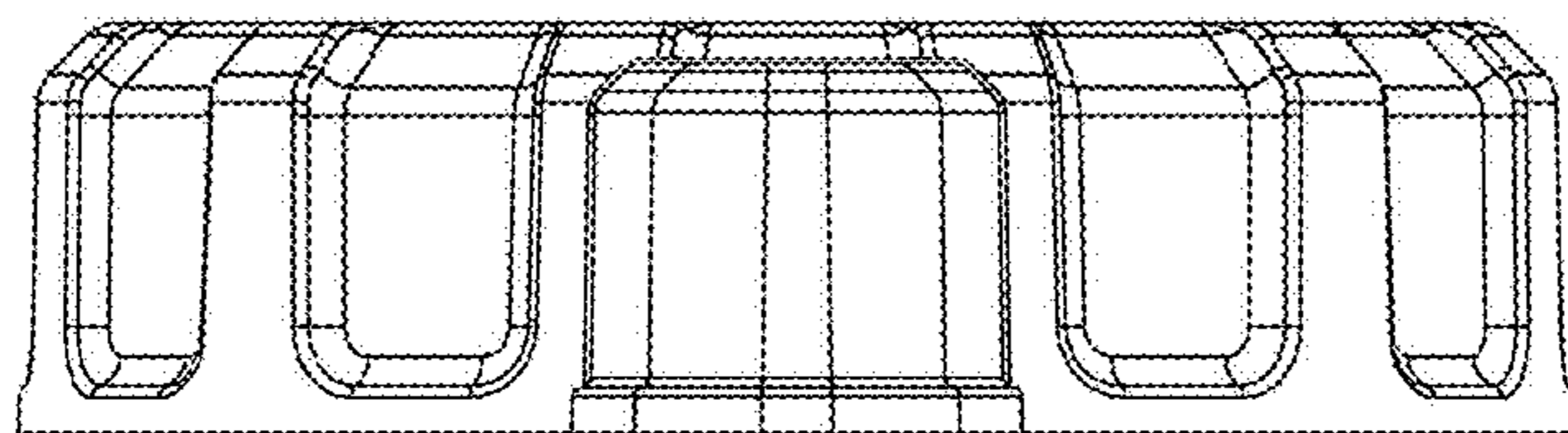


FIG. 4