



US00D829097S

(12) **United States Design Patent**
Perella et al.

(10) **Patent No.:** **US D829,097 S**
(45) **Date of Patent:** **** Sep. 25, 2018**

(54) **FOLDABLE BOX**

FOREIGN PATENT DOCUMENTS

(71) Applicant: **IdeaStream Consumer Products, LLC**, Cleveland, OH (US)

EP 455610 11/1991
GB 533914 2/1941
WO 1996002426 2/1996

(72) Inventors: **Daniel V. Perella**, Cleveland, OH (US); **Benjamin Hietanen**, Cleveland, OH (US); **Zhenghong Li**, Shenzhen (CN); **Jensen Tuen**, Fanling (HK); **Jinyuan Li**, Shenzhen (CN)

Primary Examiner — VY N Koenig

(74) *Attorney, Agent, or Firm* — Fay Sharpe LLP

(73) Assignee: **IdeaStream Consumer Products, LLC**, Cleveland, OH (US)

(57) **CLAIM**

The ornamental design for a foldable box, as shown and described.

(**) Term: **15 Years**

(21) Appl. No.: **29/585,399**

(22) Filed: **Nov. 23, 2016**

(51) **LOC (11) Cl.** **09-03**

(52) **U.S. Cl.**
USPC **D9/433; D9/423**

(58) **Field of Classification Search**
USPC D9/414–423, 430–434, 721–722;
D3/290, 304, 305, 315; D20/10, 22, 27,
D20/40, 42
CPC B65D 5/00; B65D 5/0015; B65D 5/061;
B65D 5/18; B65D 5/20; B65D 5/32;
B65D 5/321; B65D 5/322

See application file for complete search history.

(56) **References Cited**

U.S. PATENT DOCUMENTS

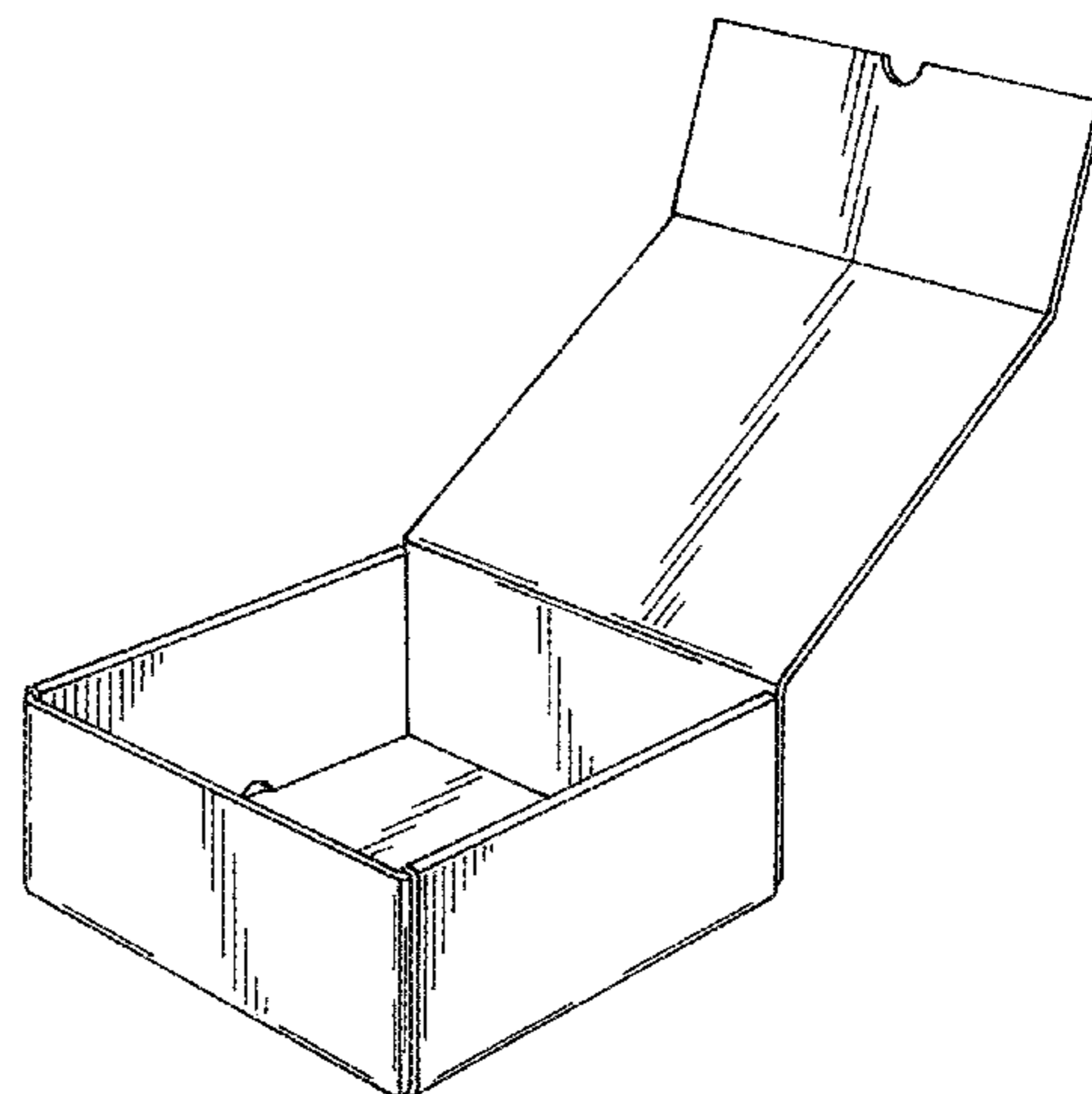
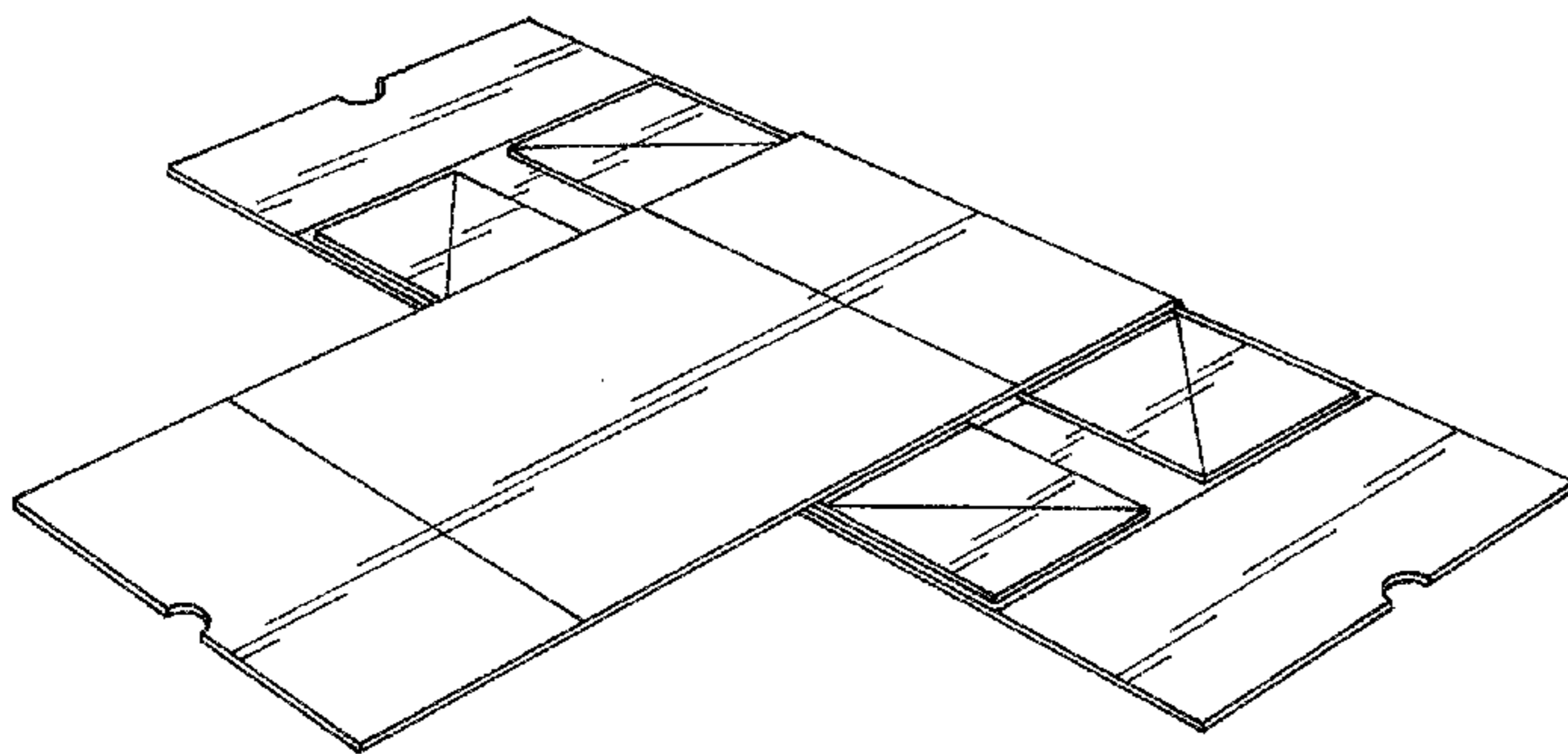
664,835	A	1/1901	Czarniecki	
1,053,836	A	2/1913	Leiman	
1,694,126	A	12/1928	Joslin	
1,941,084	A	12/1933	Gross	
2,100,644	A *	11/1937	Groves	B65D 5/6673 229/125.37
2,122,885	A	7/1938	Lowey	
2,255,223	A *	9/1941	Lighter	B65D 5/3657 229/152

(Continued)

DESCRIPTION

FIG. 1 is a front, top and side perspective view of a foldable box in a folded configuration showing our new design; FIG. 2 is a front, top and side perspective view of the foldable box of FIG. 1 in a partially unfolded configuration; FIG. 3 is a front, top and side perspective view of the foldable box of FIG. 1 in another partially unfolded configuration; FIG. 4 is a front, top and side perspective view of the foldable box of FIG. 1 in another partially unfolded configuration; FIG. 5 is a front, top and side perspective view of the foldable box of FIG. 1 in a fully unfolded and assembled configuration, with the lid in an open position; FIG. 6 is a front, top and side perspective view of the foldable box of FIG. 1 in a fully unfolded and assembled configuration, with the lid in the closed position; FIG. 7 is a front elevation view thereof; FIG. 8 is a top plan view thereof; FIG. 9 is a bottom plan view thereof; FIG. 10 is a back elevation view thereof; FIG. 11 is a side elevation view thereof; and, FIG. 12 is an opposite side elevation view thereof.

1 Claim, 8 Drawing Sheets



(56)

References Cited

U.S. PATENT DOCUMENTS

2,531,507 A * 11/1950 Goodyear B65D 5/3642
229/117.04
3,469,765 A 9/1969 Mueller
4,361,236 A 11/1982 Lavery
4,511,079 A * 4/1985 Lopez B65D 5/0005
206/586
5,007,580 A * 4/1991 Morrison B65D 5/18
229/117.17
5,121,876 A 6/1992 Johnson
6,029,885 A 2/2000 Mueller
D423,359 S * 4/2000 MacLean D9/433
6,098,873 A 8/2000 Sheffer
6,253,993 B1 * 7/2001 Lloyd B65D 5/2047
229/112
D587,998 S 3/2009 Kaisanlahti et al.
7,681,782 B2 3/2010 Bondarik
7,686,206 B2 3/2010 Bondarik
D679,582 S * 4/2013 Witte D9/416
8,573,471 B2 11/2013 Wong
8,608,050 B2 * 12/2013 Seliger B65D 5/2009
229/117.16
8,657,184 B2 2/2014 Gao
8,857,702 B2 10/2014 Hui
8,910,855 B2 12/2014 Wong et al.
8,960,527 B2 2/2015 Hui
D770,276 S * 11/2016 Bjorsing D9/433
RE46,563 E * 10/2017 Wong
2004/0140345 A1 7/2004 Erb
2005/0179816 A1 12/2005 Matsumura et al.
2006/0151586 A1 7/2006 Kao
2009/0095800 A1 4/2009 Tao
2013/0037604 A1 2/2013 Goldman

* cited by examiner

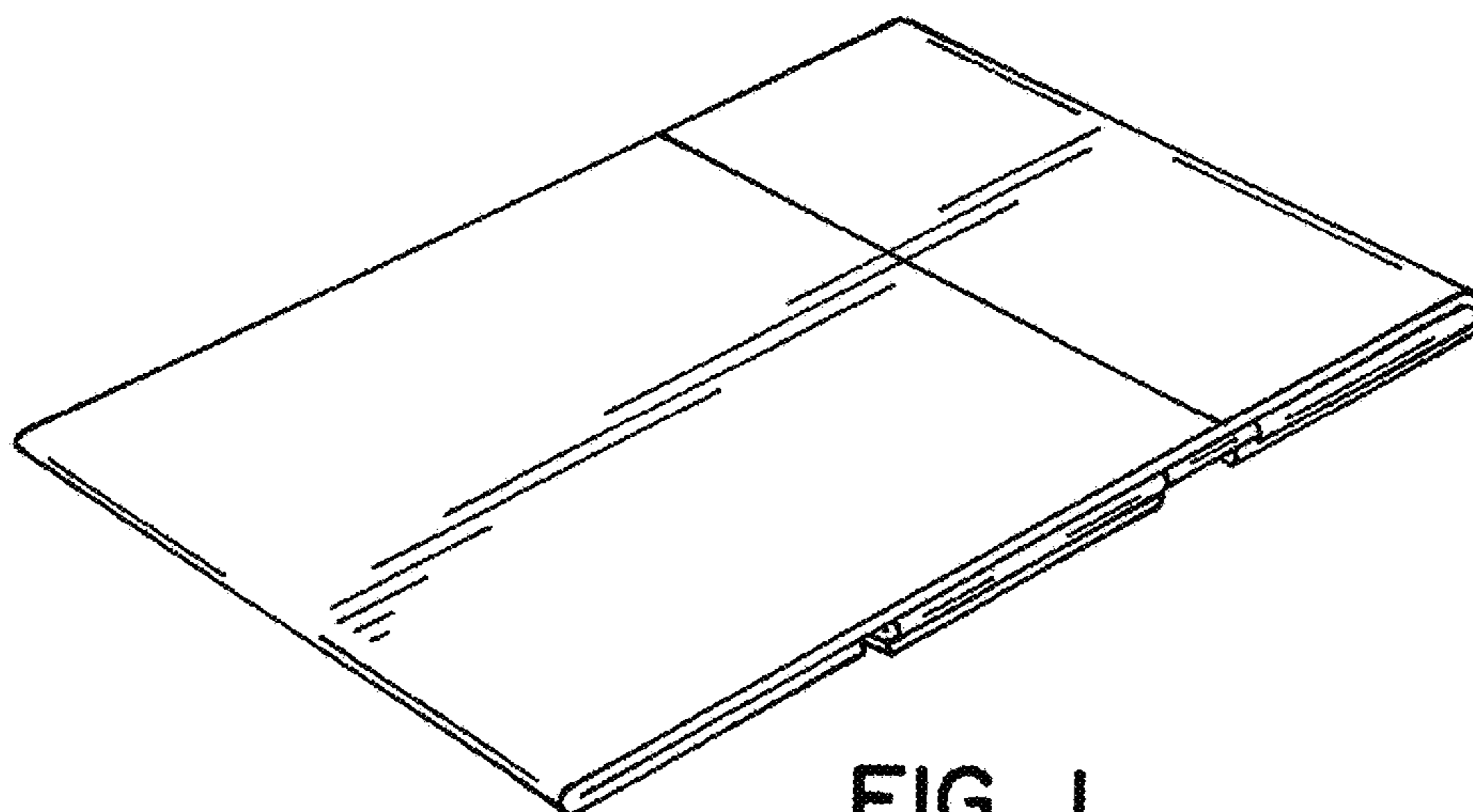


FIG. 1

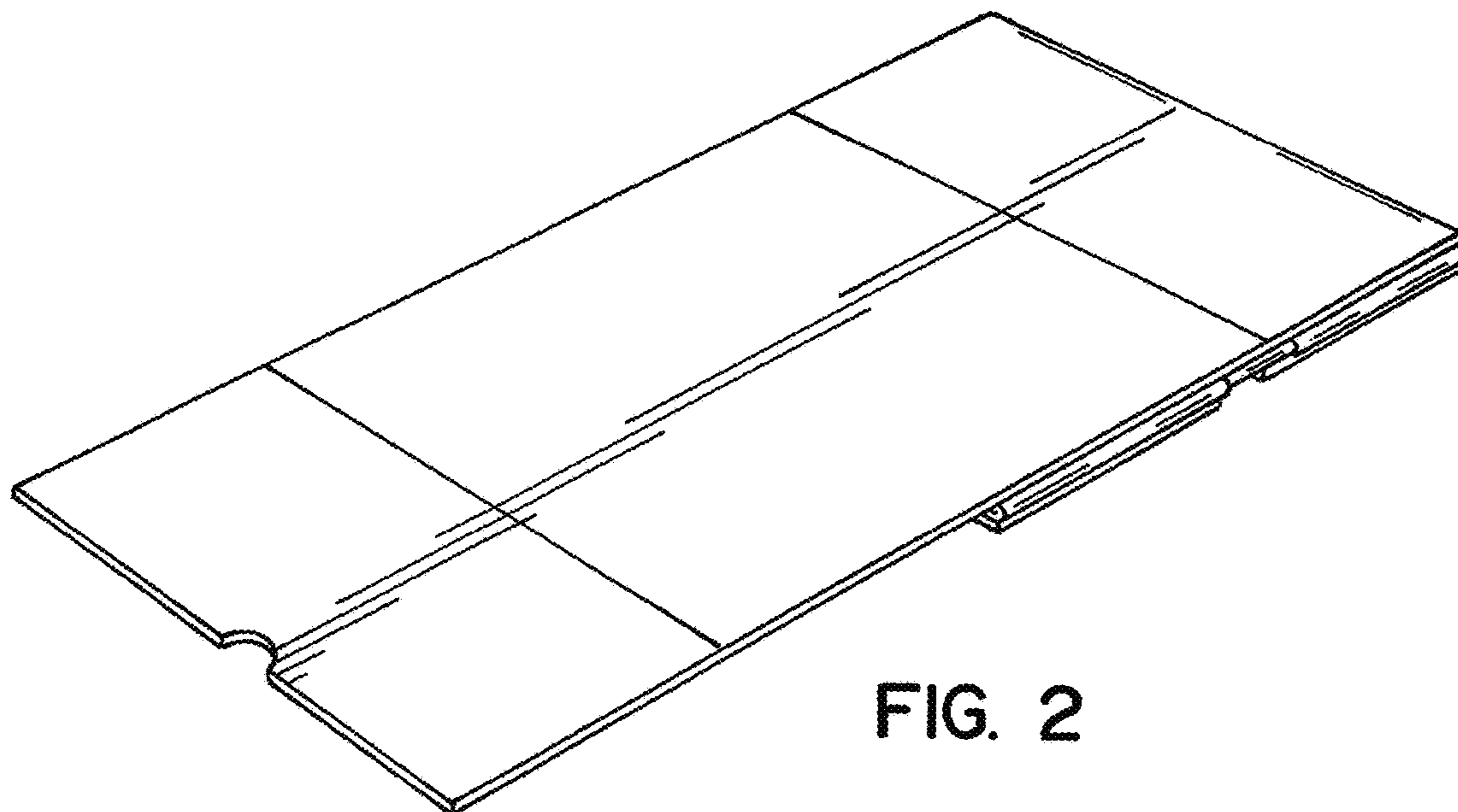


FIG. 2

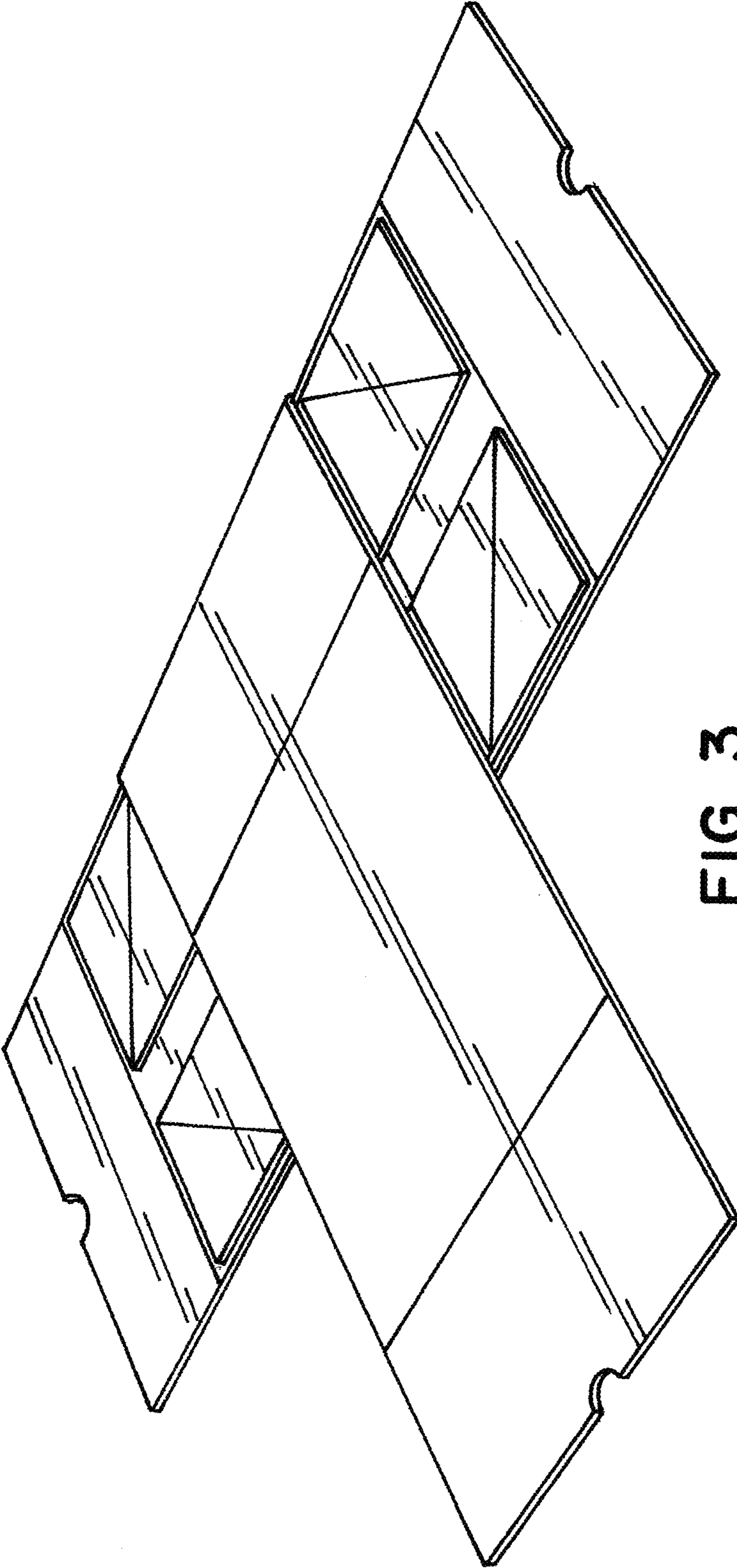


FIG. 3



FIG. 4

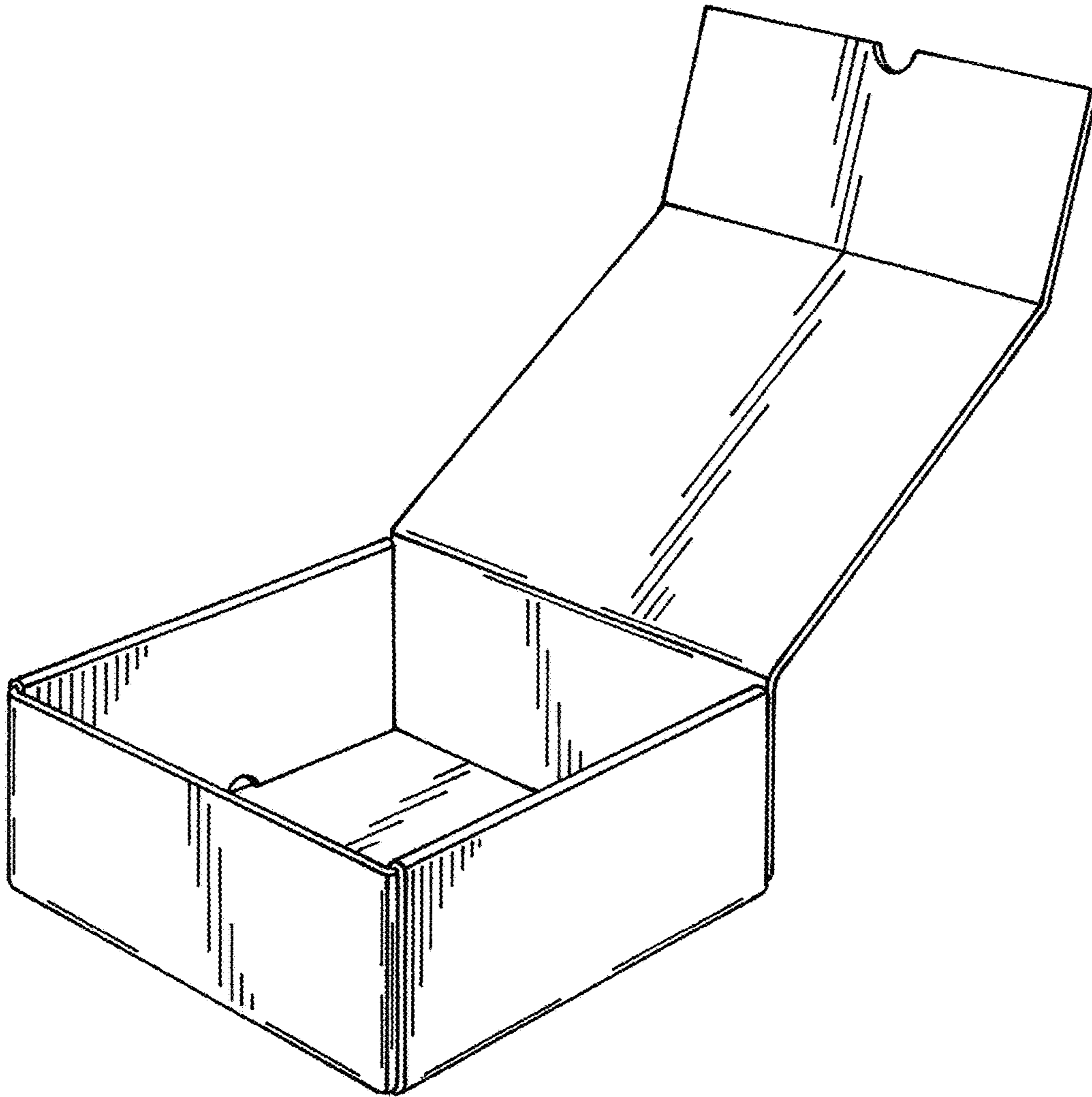


FIG. 5

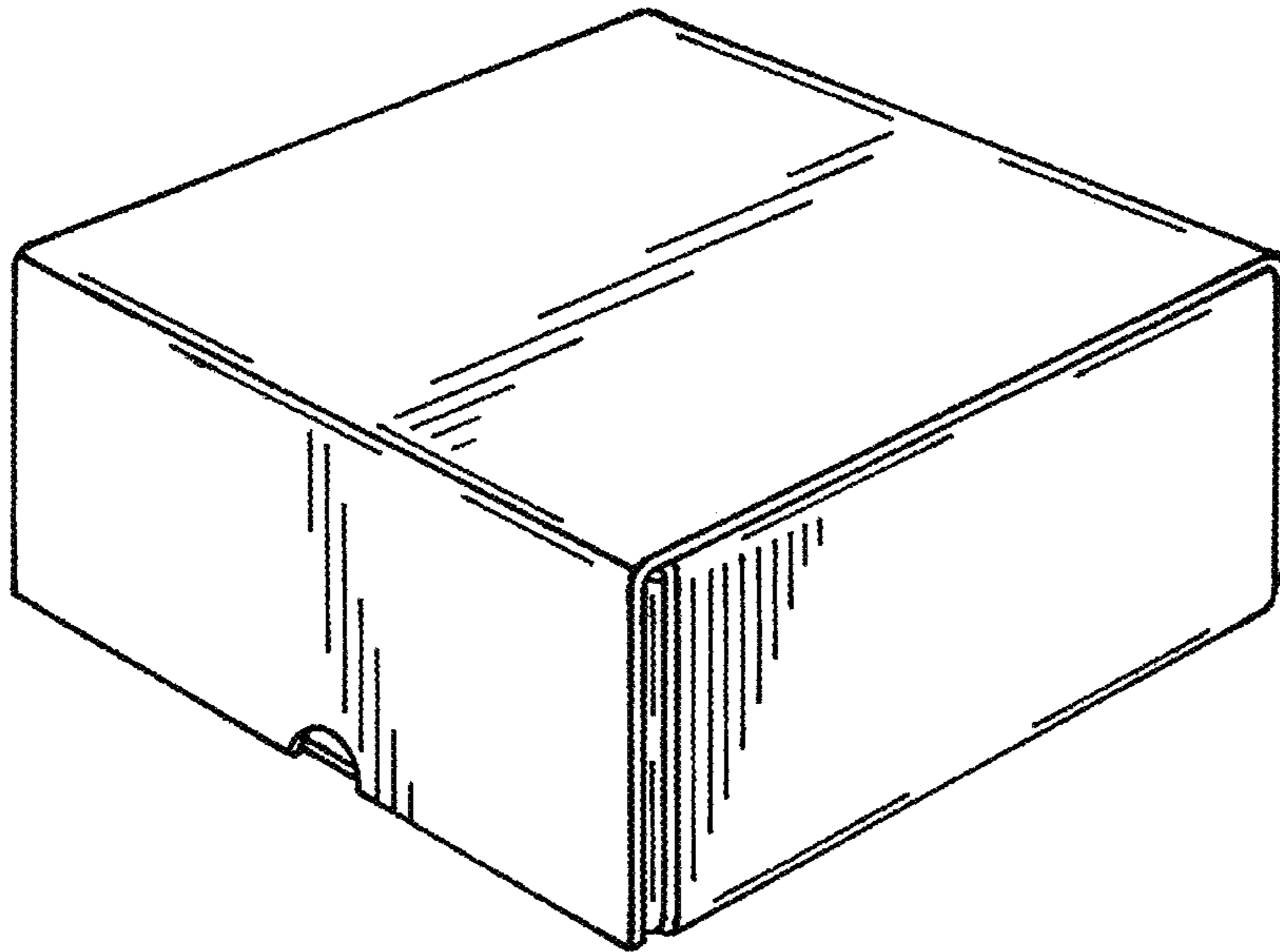


FIG. 6

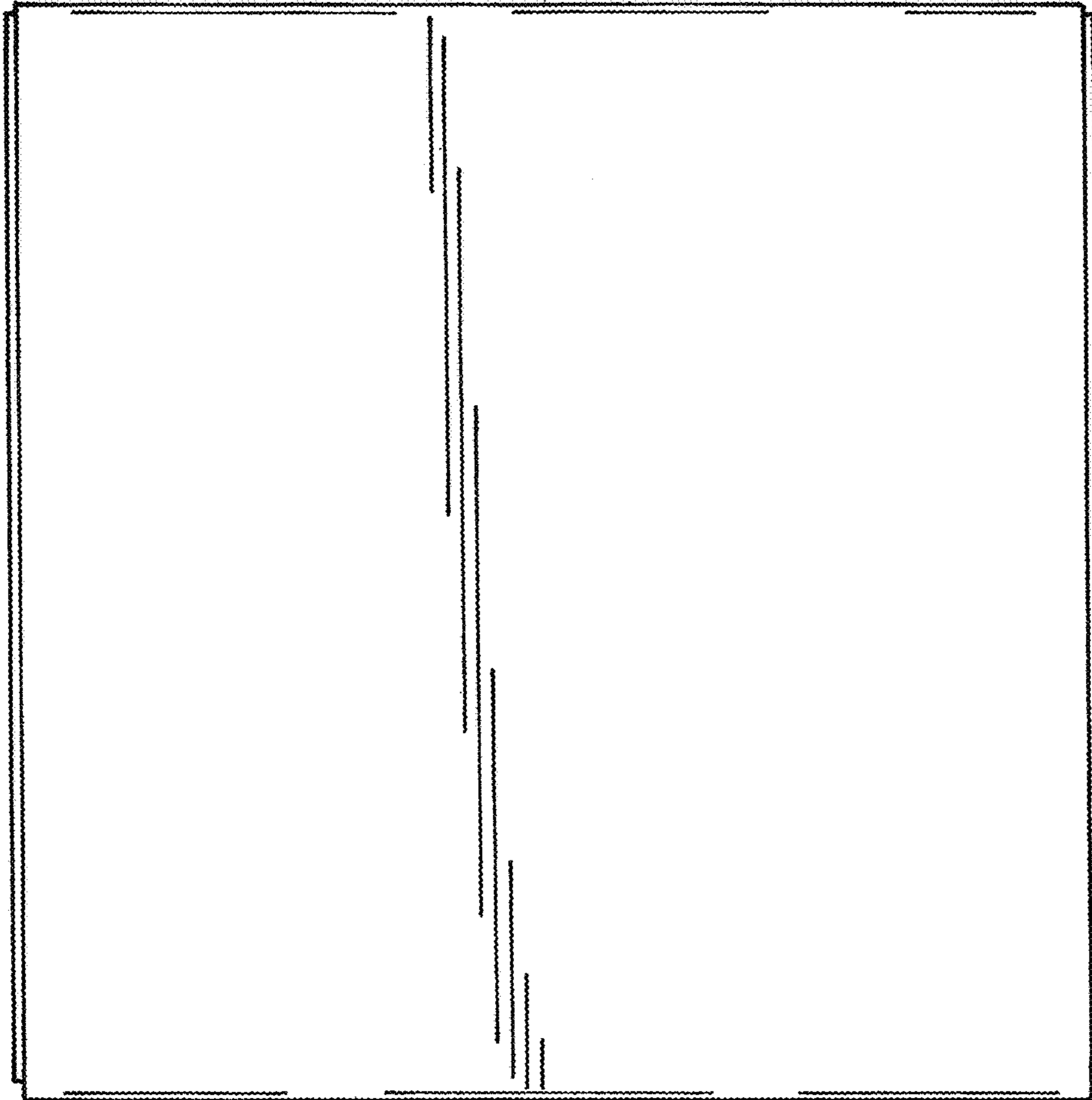


FIG. 8

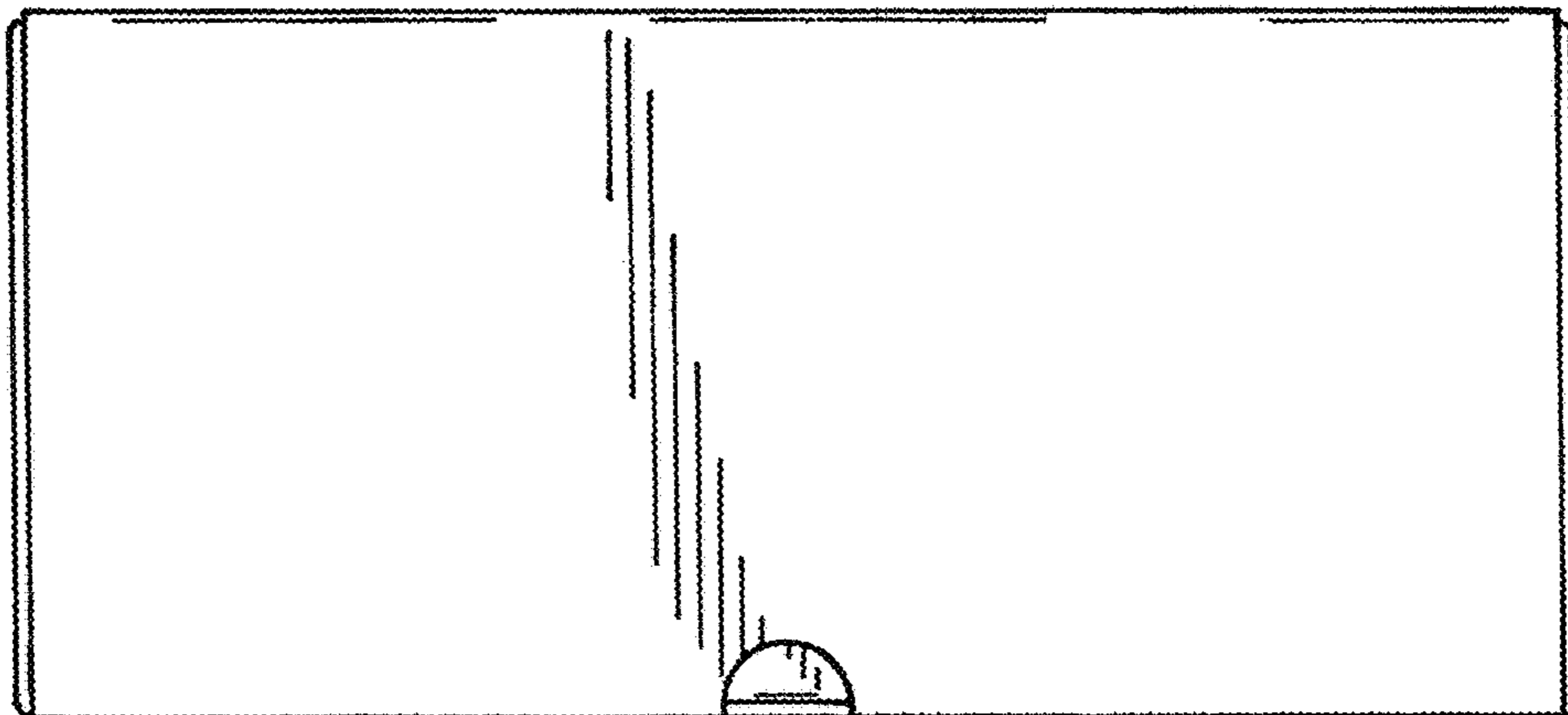


FIG. 7

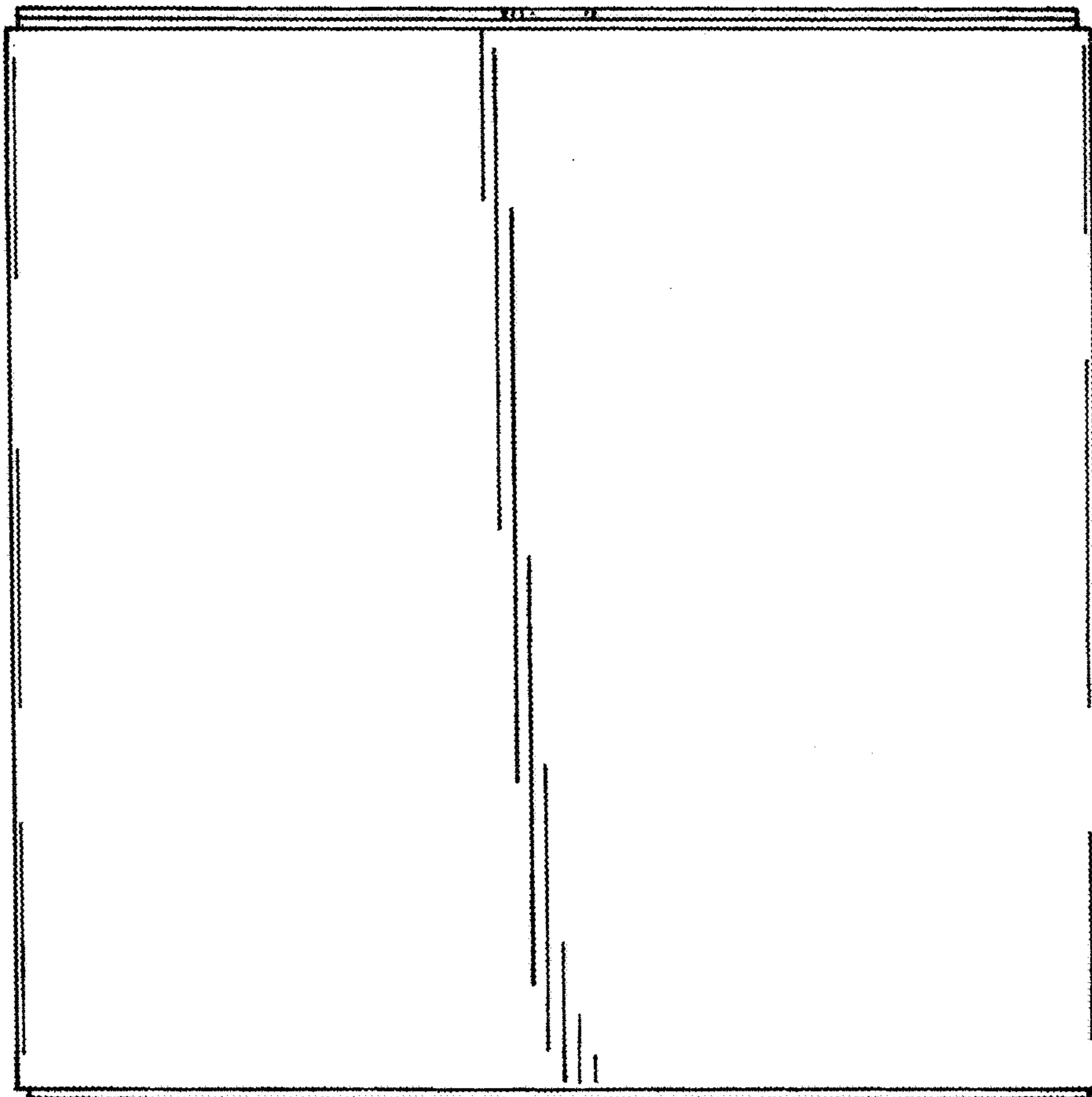


FIG. 9

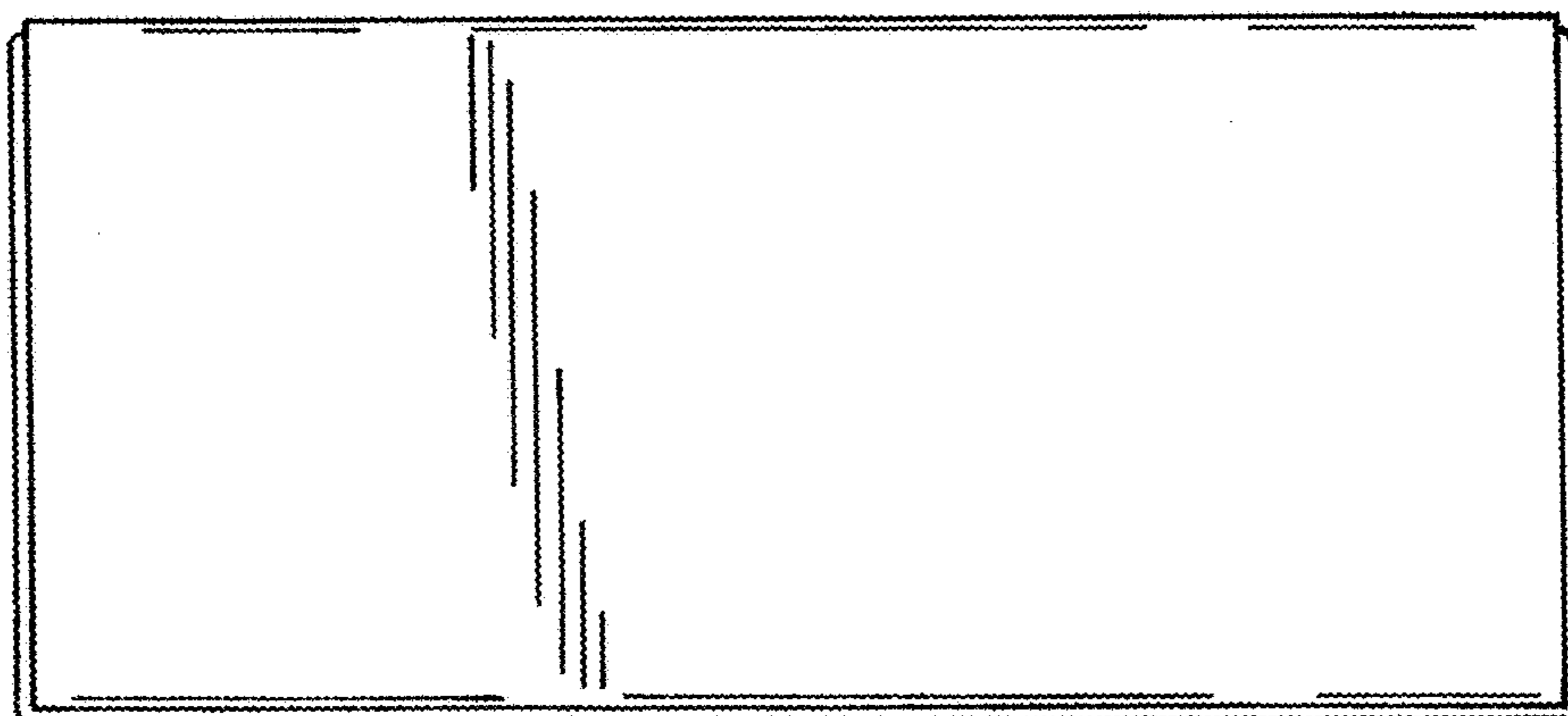


FIG. 10

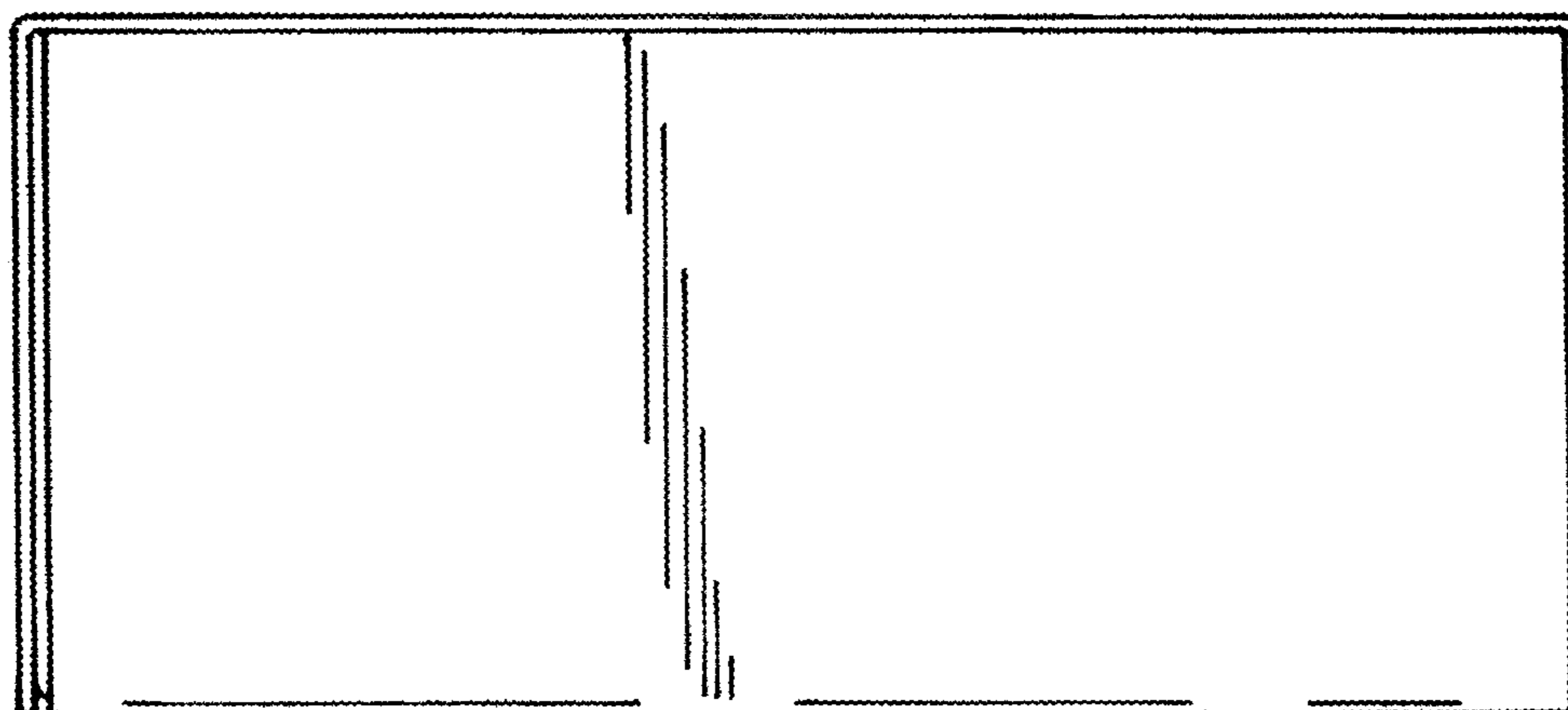


FIG. 11

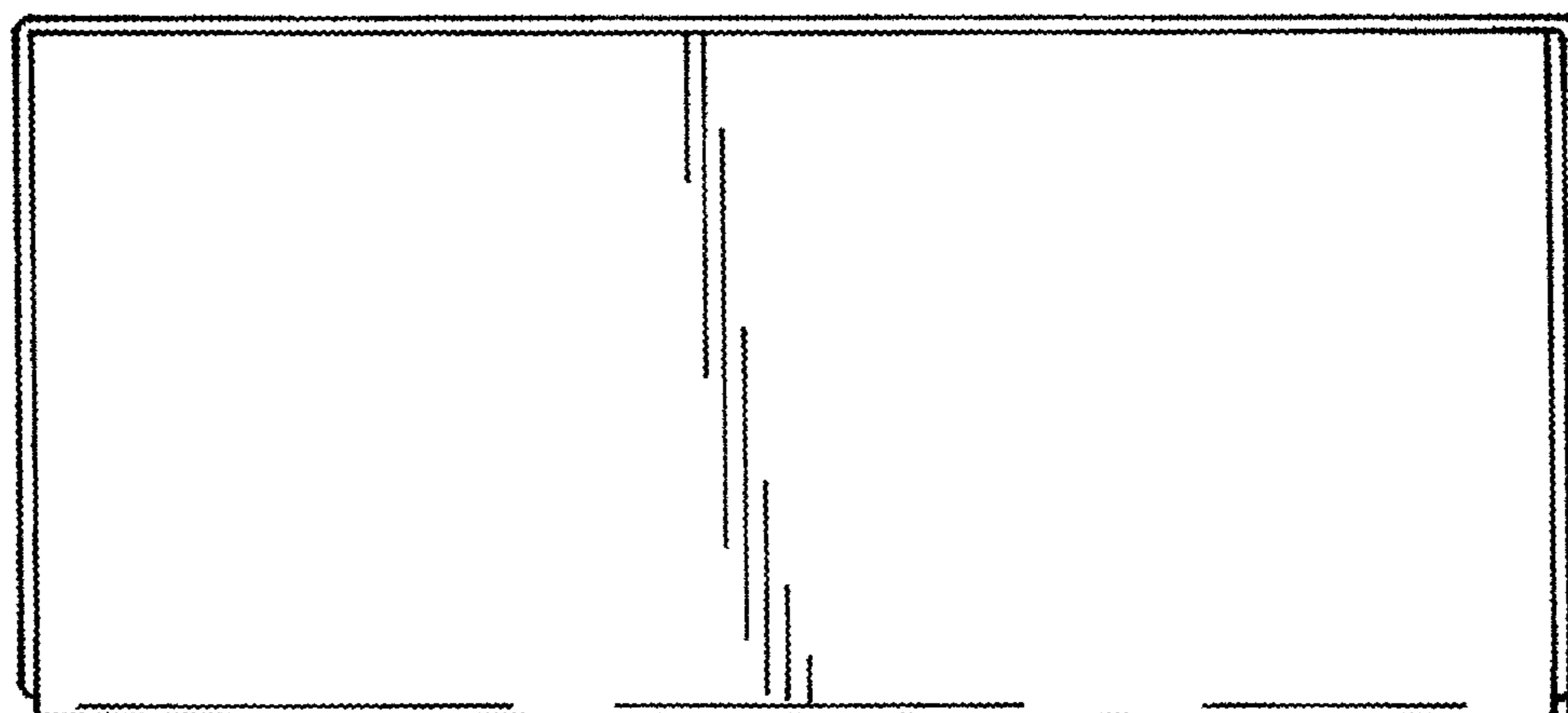


FIG. 12