



(12) **United States Design Patent**
McKenna et al.

(10) **Patent No.:** **US D829,095 S**
(45) **Date of Patent:** **** Sep. 25, 2018**

(54) **SHIPPING BOX**

- (71) Applicant: **Diamond Assets, LLC**, Janesville, WI (US)
- (72) Inventors: **Michael McKenna**, Janesville, WI (US); **Nathan Bruns**, Elgin, IL (US); **Julius Parochelli**, Elgin, IL (US)
- (73) Assignee: **Diamond Assets, LLC**, Janesville, WI (US)
- (**) Term: **15 Years**
- (21) Appl. No.: **29/624,356**
- (22) Filed: **Oct. 31, 2017**

Related U.S. Application Data

- (63) Continuation of application No. 29/597,849, filed on Mar. 21, 2017.
- (51) **LOC (11) Cl.** **09-03**
- (52) **U.S. Cl.**
USPC **D9/432; D9/423; D9/433**
- (58) **Field of Classification Search**
USPC D9/414-434, 456, 457, 711, 713, D9/721-722; D20/10, 22, 27, 40, 42
(Continued)

(56) **References Cited**

U.S. PATENT DOCUMENTS

- 1,145,668 A 7/1915 Brown et al.
- D221,626 S * 8/1971 Fine D9/423
(Continued)

FOREIGN PATENT DOCUMENTS

- WO 2006/002524 A1 1/2006
- WO DM/068 321 10/2006
(Continued)

OTHER PUBLICATIONS

“Boxes,” Uline, uline.com accessed Sep. 2017, https://www.uline.com/CIs_04/Boxes-Corrugated.
(Continued)

Primary Examiner — Vy N Koenig
(74) *Attorney, Agent, or Firm* — Boardman & Clark LLP

(57) **CLAIM**

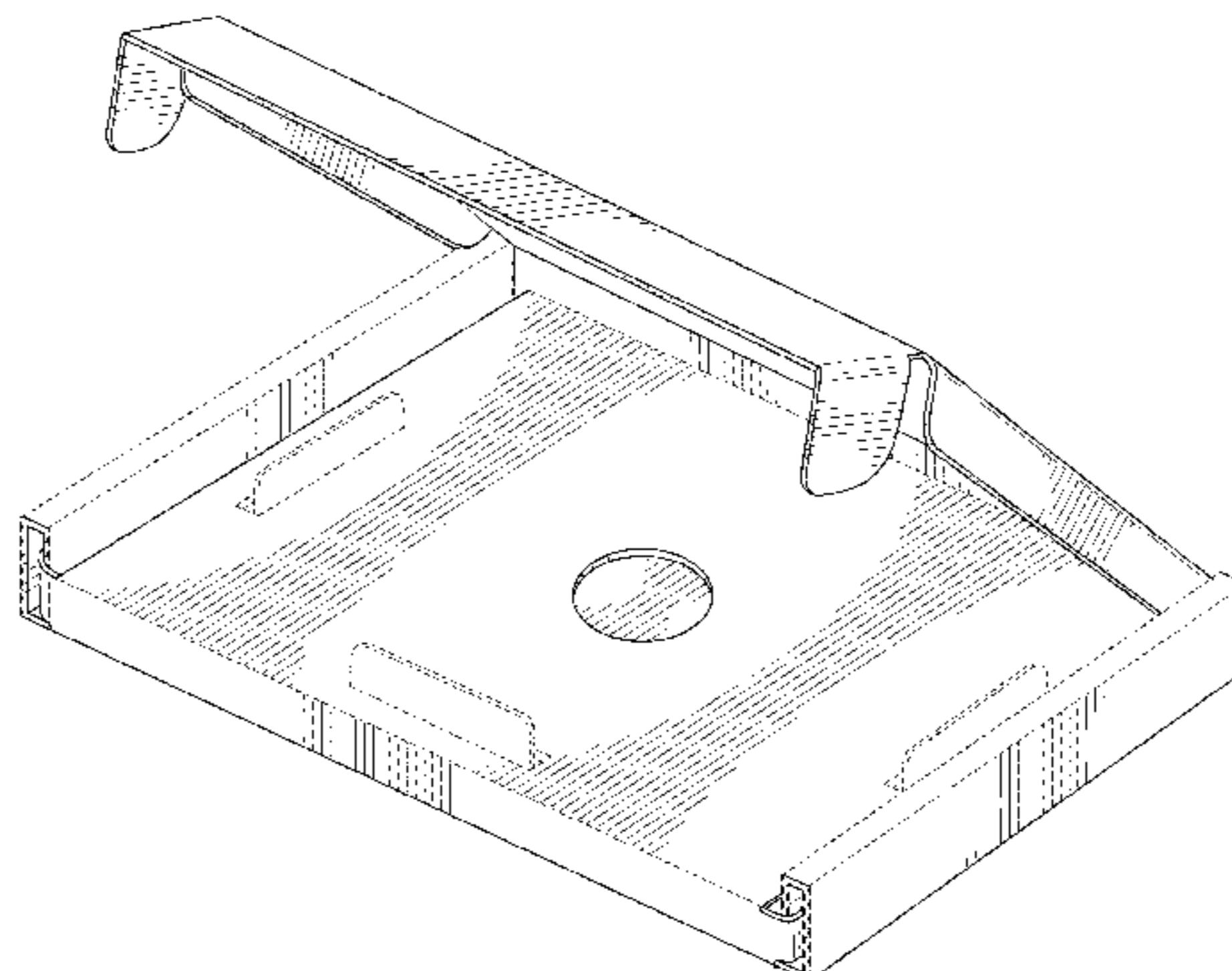
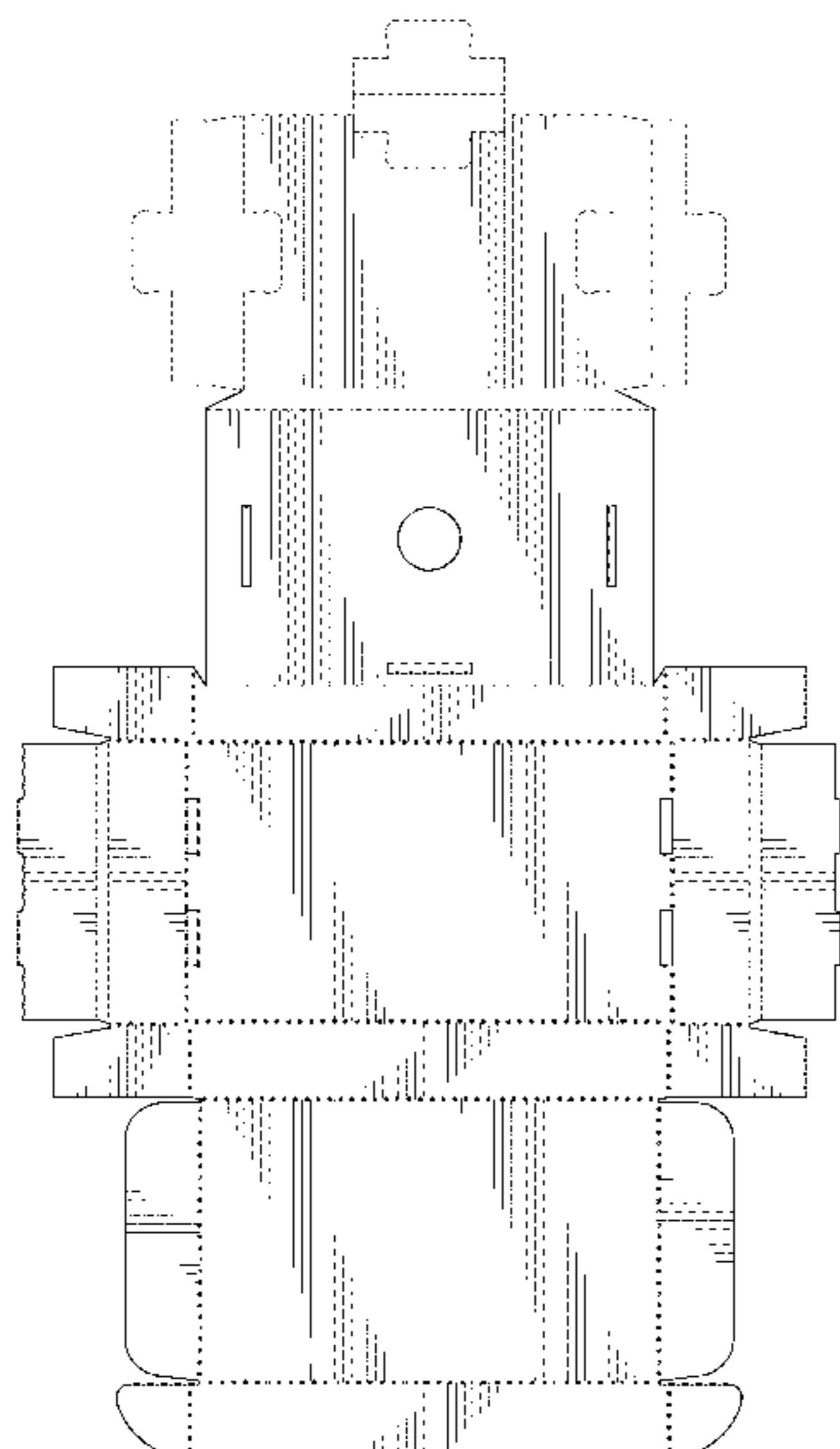
The ornamental design for a shipping box, as shown and described.

DESCRIPTION

FIG. 1 is a top plan view of a shipping box showing our new design, showing the shipping box in an unfolded state; FIG. 2 is a first perspective view of the design of the shipping box shown in FIG. 1, showing the shipping box in a partially folded state; FIG. 3 is a second perspective view of the design of the shipping box shown in FIG. 1, showing the shipping box in a fully folded state; FIG. 4 is a first side elevation view of the design of the shipping box shown in FIG. 3; FIG. 5 is a second side elevation view of the design of the shipping box shown in FIG. 3; FIG. 6 is a third side elevation view of the design of the shipping box shown in FIG. 3; FIG. 7 is a fourth side elevation view of the design of the shipping box shown in FIG. 3; FIG. 8 is a top plan view of the design of the shipping box shown in FIG. 3; and, FIG. 9 is a bottom plan view of the design of the shipping box shown in FIG. 3.

The dotted lines represent fold lines and are part of the claim. The evenly dashed broken lines shown in the drawings depict portions of the shipping box that form no part of the claimed design.

1 Claim, 9 Drawing Sheets



(58) **Field of Classification Search**
 CPC B65D 5/00–5/02; B65D 5/18; B65D 5/20
 See application file for complete search history.

(56) **References Cited**

U.S. PATENT DOCUMENTS

D252,613	S	8/1979	D'Alessio	
D260,490	S *	9/1981	Baker	D9/433
D262,359	S *	12/1981	Roccaforte	D9/433
D262,946	S	2/1982	Mills et al.	
D268,098	S *	3/1983	Brown	D9/418
D280,079	S	8/1985	Levetz	
D327,004	S *	6/1992	Nadel	D9/432
D398,527	S *	9/1998	Maceachern	D9/420
6,085,969	A	7/2000	Burgoyne	
D447,687	S *	9/2001	Roby	D9/422
D466,406	S	12/2002	Solland	
D552,984	S *	10/2007	Baron	D9/418
D552,987	S	10/2007	Magnusson	
D580,754	S	11/2008	An	
D642,456	S *	8/2011	Mittelstaedt	D9/432
D643,306	S *	8/2011	Martinez	D9/721
D652,294	S *	1/2012	Seneca	D9/418
D652,717	S	1/2012	Shimoyama et al.	
D665,665	S *	8/2012	Seneca	D9/418
D666,090	S *	8/2012	DeBusk	D9/433
D669,352	S *	10/2012	Paslowski	D9/423
D679,950	S	4/2013	Cooper	
D686,505	S *	7/2013	Uemura	D9/432
D687,295	S	8/2013	Park	
D690,587	S *	10/2013	DeLisle	D9/423

D690,591	S	10/2013	Sanders et al.	
D710,713	S	8/2014	Fath et al.	
8,800,760	B2	8/2014	Schroeder	
D724,940	S	3/2015	Kim et al.	
D730,728	S	6/2015	Fath	
D730,886	S	6/2015	Tseng	
D732,951	S	6/2015	Ahn et al.	
9,180,996	B2	11/2015	Mathieu et al.	
D747,193	S	1/2016	Melistas	
D747,194	S	1/2016	Melistas	
D752,425	S *	3/2016	Parthenis, Jr.	D9/414
D758,851	S *	6/2016	Binder	D9/432
D775,523	S	1/2017	Platt	
D775,524	S	1/2017	Herbeck et al.	
D778,151	S	2/2017	Watson	
D798,040	S *	9/2017	Binder	D3/203.6
D798,703	S *	10/2017	Hainaut	D9/418
D812,463	S *	3/2018	Lee	D9/420
D814,296	S *	4/2018	Collins	D9/433

FOREIGN PATENT DOCUMENTS

WO	DM/069179	8/2007	
WO	DM/069883	1/2008	

OTHER PUBLICATIONS

“Tuck Top Corrugated Mailing Boxes,” Paper Mart, papermart.com, accessed Sep. 2017; <https://www.papermart.com/tuck-top-corrugated-mailing-boxes/id=37547>.

* cited by examiner

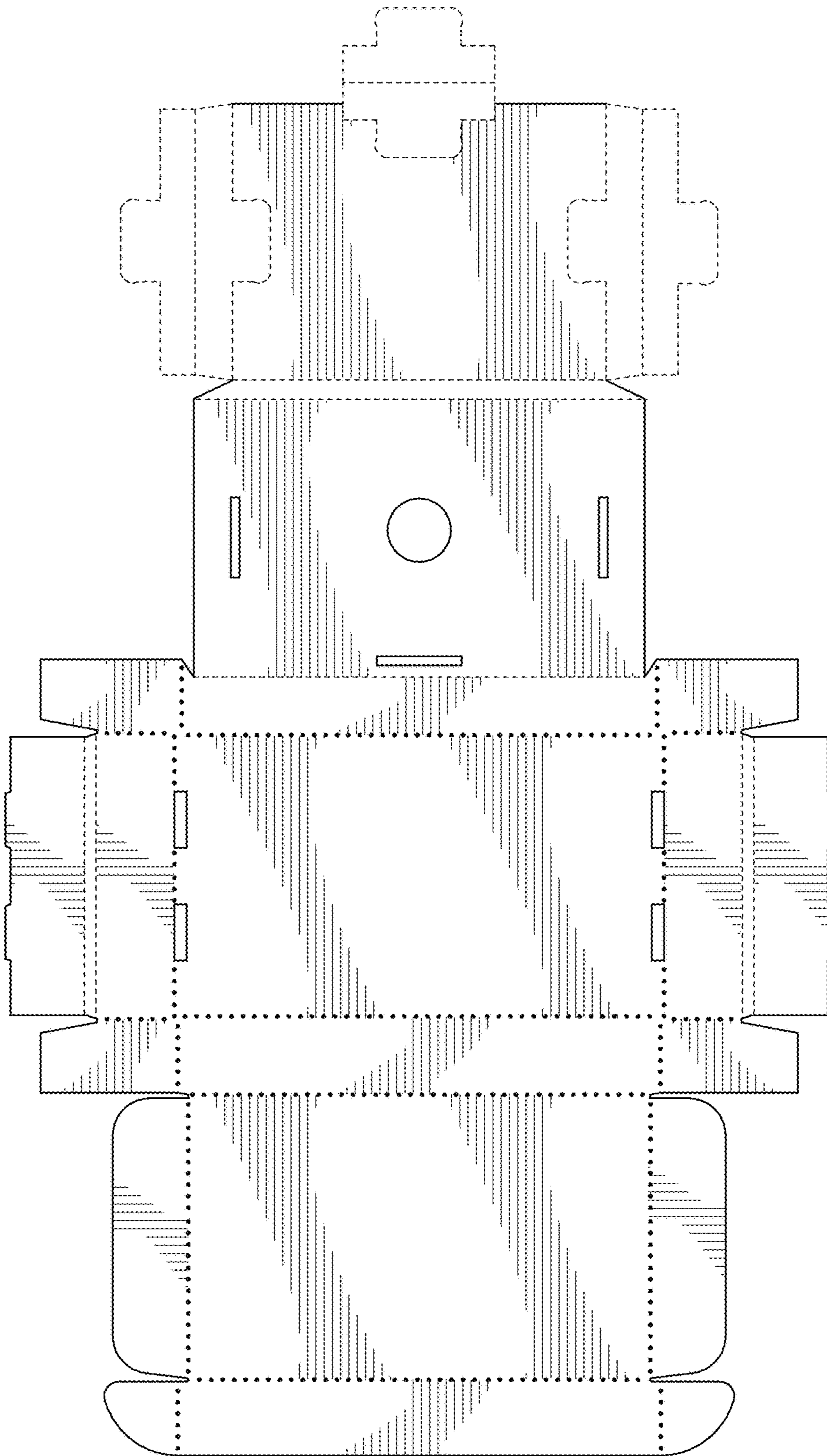


FIG. 1

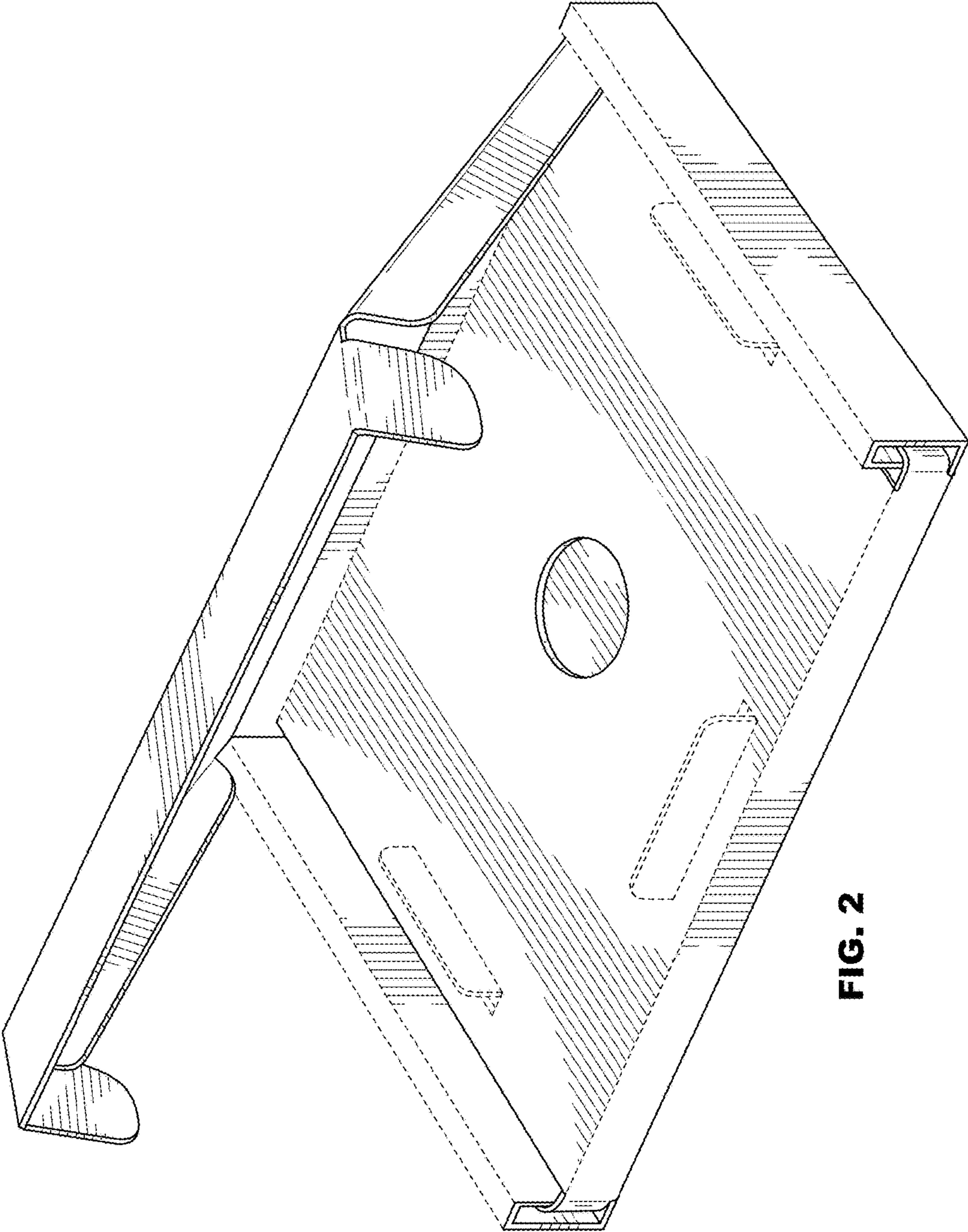


FIG. 2

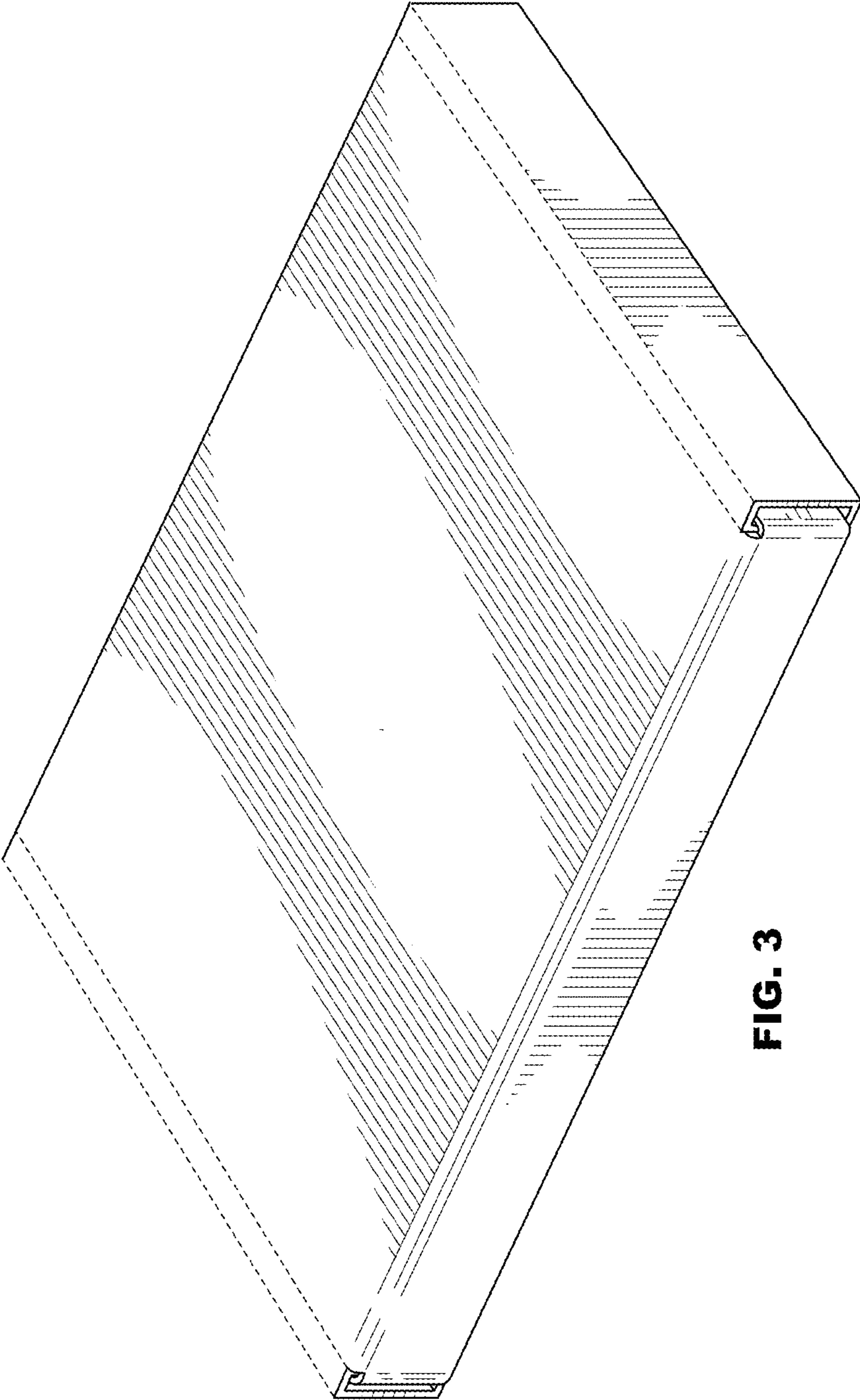


FIG. 3

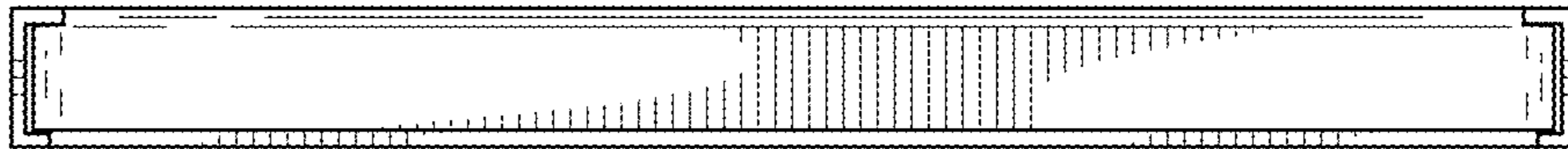


FIG. 4

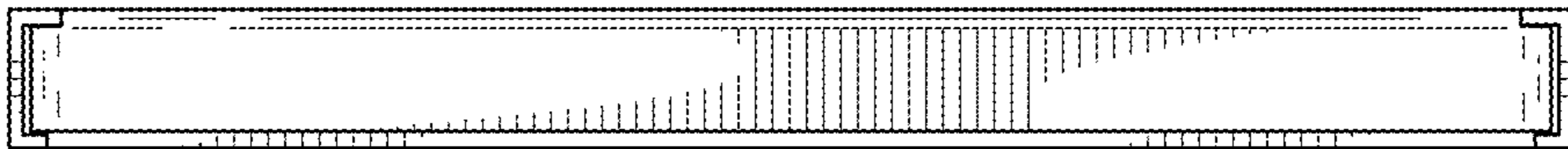


FIG. 5

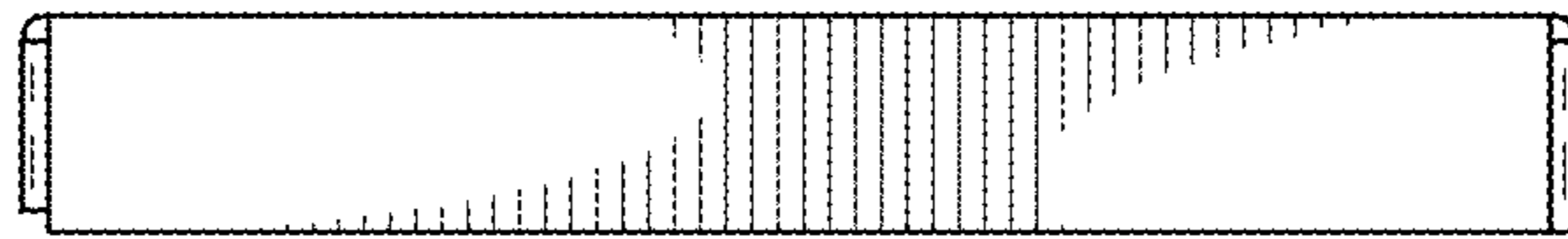


FIG. 6

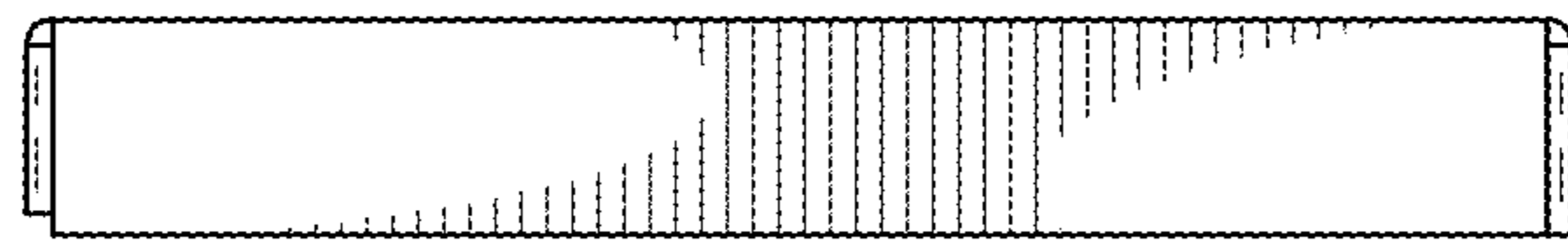


FIG. 7

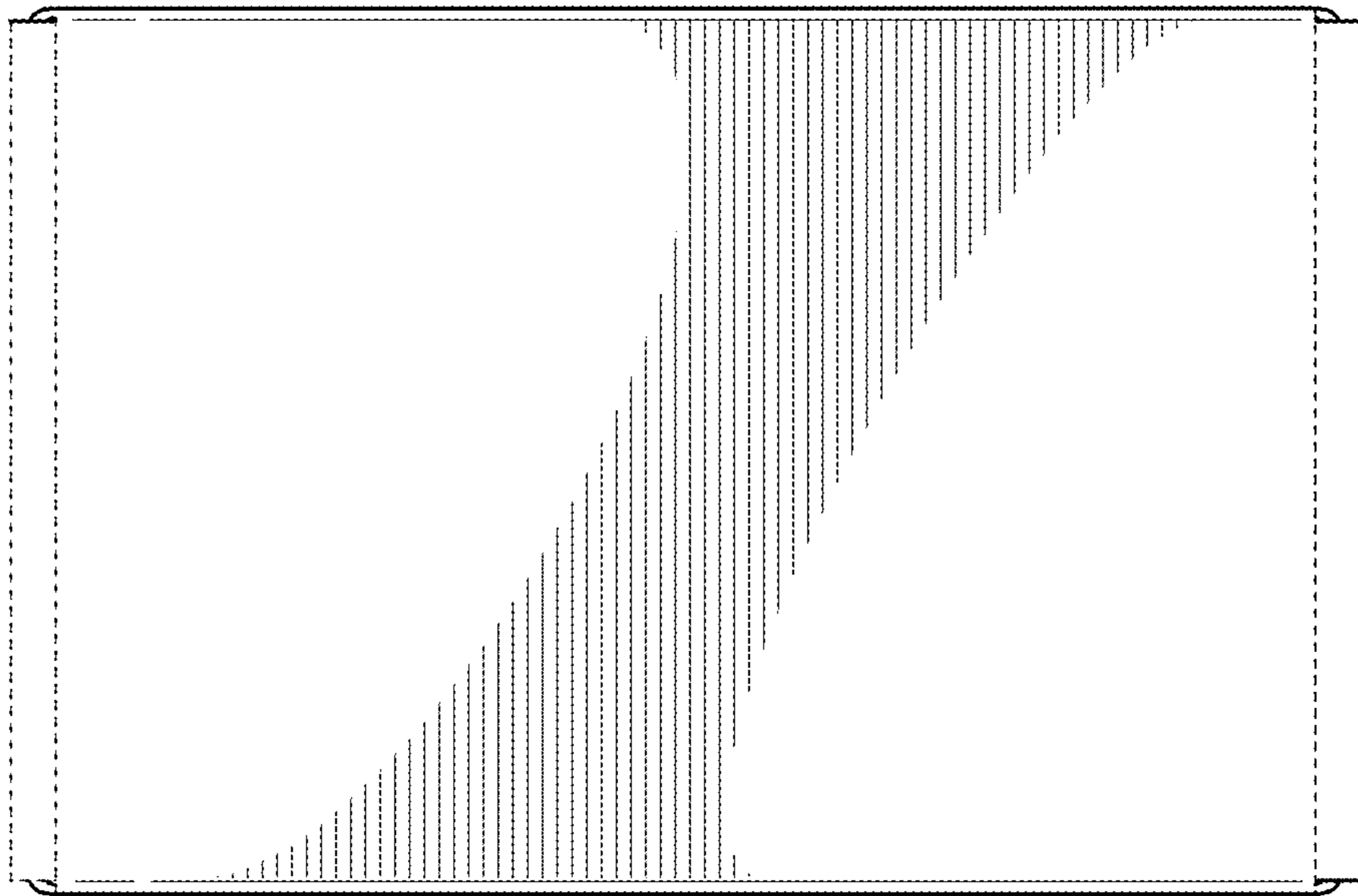


FIG. 8

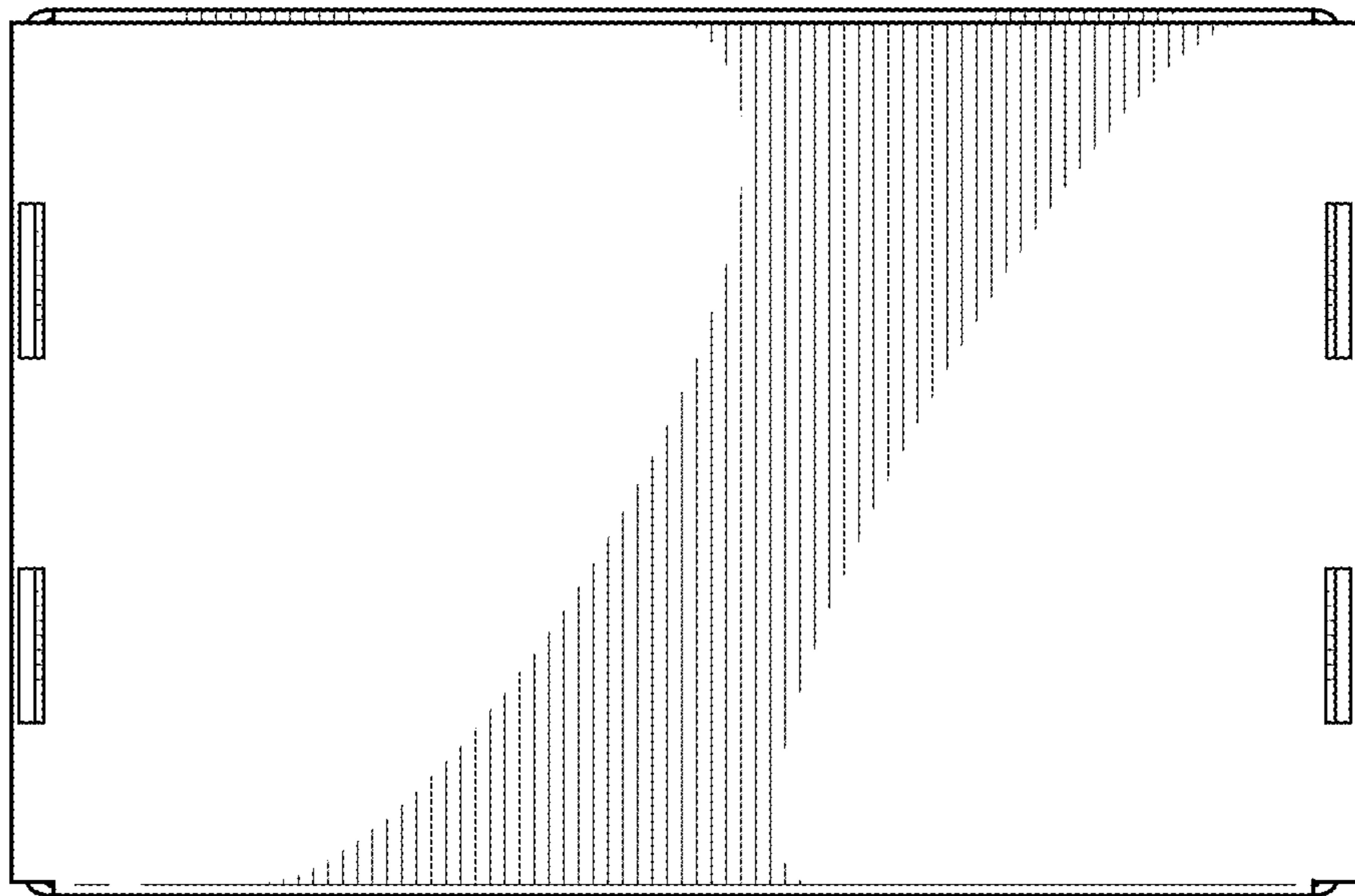


FIG. 9